

1997-1999 JEEP WRANGLER (TJ)

PARTS CATALOG

ILLUSTRATION AND TEXT
(CHASSIS - BODY - TRIM)

June 2002

SUPERSEDES
September 2001
ENGLISH



Jeep

CHRYSLER • PLYMOUTH • DODGE • JEEP

THE MOPAR DIFFERENCE

INDEX TO INFORMATION PAGES

The use of this Parts Catalog and the arrangement of information herein is explained in the General Information Section as indexed below.

Abbreviations	INF-13
Alphabetic Index	INF-10
Body Code Plate Interpretation	INF-12
Catalog Groups - Titles & Contents	INF-2
How to Use This Catalog and Locate Parts	INF-8
Illustration Index	INF-10
Illustration Numbering Index	INF-9
Index.....	INF-1
Logical Illustration Index.....	INF-3
Logical Illustrations	INF-9
Numerical Index	INF-10
Page Numbering.....	INF-9
Part Packages	INF-10
Standard Parts.....	INF-10
Symbols Used in this Catalog.....	INF-9
VIN Plate Decoding Information	INF-11

CATALOG GROUPS - TITLES & CONTENT

Group	Content
002	Front Suspension & Drive
003	Rear Axle
004	Parking Brake
005	Service Brakes
006	Clutch
007	Cooling
008	Electrical
009	Engine Mounting
011	Exhaust
013	Frames and Bumpers
014	Fuel
016	Propeller Shafts and U-Joints
017	Rear Suspension
019	Steering
022	Wheels, Covers and Jacks
024	Air Conditioning & Heater
025	Emission Systems
08A	Instrument Panel and Radios and Consoles
2.5L4	Engine 2.5L Four Cylinder
21P	Speedometer Pinions
231	Transfer Case Model 231
23D	Wiper/Lock Cylinder and Keys
30RH	Automatic Transmission 3 Speed
32RH	Automatic Transmission 3 Speed
4.0L	Engine 4.0L Six Cylinder
AISIN	Manual Transmission 5 Speed
DTJ	Doors and Related Parts
ETJ	Exterior Ornamentation
ITJ	Interior Trim
STJ	Body Sheet Metal Except Doors

LOGICAL ILLUSTRATION INDEX

Group	Logical Illustration	Logical Illustration Name
002	100	Front Suspension & Strut
002	200	Front Axle Drive Shafts
002	300	Front Axle Housing
002	400	Front Axle Assembly
002	600	Front Axle Differential
003	100	Rear Axle
003	200	Differential and Housing
003	400	Rear Axle Shafts
004	100	Parking Brake Lever and Cables
005	100	Front Brakes
005	200	Rear Brakes
005	300	Power Brake Booster
005	400	Brake Master Cylinder
005	500	Brake Lines and Hoses
005	600	Brake Pedals
006	100	Clutch
006	200	Clutch Housing
006	300	Clutch Controls
006	400	Clutch Pedals
007	100	Radiator and Related Parts
007	200	Water Pump and Related Parts
007	300	Tank, Coolant Engine
007	400	Pulleys and Related Parts
007	500	Drive Belts
007	600	Lines, Transmission Oil Cooler
007	700	Grilles
008	100	Starters
008	1000	Battery Tray and Cables
008	1100	Lamps - Front, Rear and Courtesy
008	1200	Wiring-Engine & Related Parts
008	1300	Wiring-Headlamp to Dash
008	1400	Wiring-Instrument Panel
008	1500	Wiring-Body & Accessories

008	1600	Wiring Repair
008	1900	Spark Plugs-Cables-Coils
008	200	Alternators
008	300	Distributor
008	400	Modules
008	500	Relays
008	600	Sensors
008	700	Single Board Engine Controllers
008	800	Switches
008	900	Horns
009	100	Engine Mounting
011	100	Exhaust System
011	200	Heat Shields
013	100	Frames
013	200	Front Bumper and Fascia
013	300	Rear Bumper and Fascia
013	500	Body Hold Down
014	100	Tank, Fuel
014	1000	Speed Control
014	1100	Accelerator Pedal
014	200	Fuel Tank Filler Tube
014	300	Fuel Lines
014	400	Fuel Rail
014	500	Fuel Pump and Sending Unit
014	600	Throttle Body
014	700	Throttle Controls
014	800	Air Cleaner
016	100	Propeller Shaft
017	100	Rear Suspension
017	200	Rear Stabilizer
019	100	Steering Wheel
019	200	Steering Column
019	300	Steering Gear
019	400	Steering Linkage
019	500	Power Steering Pump
019	700	Power Steering Hoses

022	100	Wheels and Hardware
022	200	Wheel Covers and Center Caps
022	300	Jack Stowage
022	400	Spare Tire Stowage
024	100	Air Conditioner and Heater Units
024	200	Air Conditioner and Heater Plumbing
024	300	Air Conditioner and Heater Controls
024	400	Air Conditioning Compressor
024	600	Air Ducts and Outlets
025	100	Emission Labels
025	300	Vacuum Canister
025	400	Emission Harness
08A	100	Instrument Panel
08A	200	Instrument Panel Cluster
08A	300	Radio, Antenna, and Speakers
08A	400	Consoles
2.5L4	200	Cylinder Head
2.5L4	300	Cylinder Block
2.5L4	400	Crankshaft, Piston and Drive Plate
2.5L4	500	Camshafts & Valves
2.5L4	600	Timing Belt and Cover
2.5L4	700	Engine Oiling
2.5L4	800	Manifolds
2.5L4	900	Crankcase Ventilation
21P	100	Speedometer Pinions
231	100	Transfer Case Assembly
231	1200	Gearshift Controls
231	200	Case and Related Parts
231	400	Gear Train
231	900	Fork and Rails
23D	100	Lock Cylinders and Keys
23D	200	Windshield Wiper and Washer Systems
23D	300	Rear Wiper and Washer System
30RH	100	Transmission Assembly
30RH	1200	Gearshift Controls
30RH	200	Case and Extension

30RH	300	Oil Pump
30RH	400	Gear Train
30RH	500	Bands, Reverse and Kickdown
30RH	600	Governor
30RH	700	Valve Body
32RH	100	Transmission Assembly
32RH	1200	Gearshift Controls
32RH	200	Case and Extension
32RH	300	Oil Pump
32RH	400	Gear Train
32RH	500	Bands, Reverse and Kickdown
32RH	600	Governor
32RH	700	Valve Body
4.0L	200	Cylinder Head
4.0L	300	Cylinder Block
4.0L	400	Crankshaft, Piston and Torque Converter
4.0L	500	Camshafts & Valves
4.0L	600	Timing Belt and Cover
4.0L	700	Engine Oiling
4.0L	800	Manifolds
4.0L	900	Crankcase Ventilation
AISIN	100	Transmission Assembly
AISIN	1200	Gearshift Controls
AISIN	200	Case and Extension
AISIN	400	Gear Train
AISIN	900	Forks and Rails
DTJ	100	Front Door
DTJ	500	Exterior Mirror
DTJ	600	Weatherstrips and Seals
ETJ	200	Moldings and Ornamentation
ETJ	300	Decals and Tapestripes
ITJ	100	Headliner and Visor
ITJ	300	Carpet and Tonneau Cover
ITJ	400	Door Trim Panels- Front and Sliding
ITJ	500	Front Seats and Attaching Parts
ITJ	600	Rear Seats and Attaching Parts

ITJ	700	Seat Belts-Front and Rear
ITJ	800	Adjusters, Covers, Shields, and Risers
STJ	1100	Folding Top
STJ	1300	Tailgate
STJ	1600	Luggage Rack
STJ	200	Floor Pans
STJ	300	Plugs
STJ	400	Front Fenders
STJ	500	Hood and Hood Release
STJ	600	Cowl and Dash Panel
STJ	700	Glass and Rear View Mirror
STJ	800	Aperture Panel

HOW TO USE THIS CATALOG AND LOCATE PARTS

This Catalog is divided into Part Groups in which illustrations for parts of a similar function and/or location are published. The Group contents listing on the next page shows the type of parts contained in each group. Tabs are provided or available to separate each group.

Several methods may be used to locate a specific part:

Option 1: From the Group Contents listing. Select the group which would most logically contain the part to be found. Open the catalog to the beginning of that group. The first page of the group will contain the part. Turn to the selected illustration and locate the part by reviewing the illustration item numbers and associated text information following the illustration.

Option 2: If the "noun" name of the part you seek is known, an alphabetical index of Nouns and illustration titles is provided to assist in finding the part. Several keys may be found in this index.

RESERVOIR, Power Steering Oil Pump Group 19	Group Reference
ALTERNATOR All Engines 8-210	Illustration Reference
BELT, Front Seat Imdl/710/3	Illustration/Item Reference

Group by Model _____	_____
Illustration Number _____	_____
Item _____	_____

Option 3: If the part number is known but the applications need to be determined, refer to the numerical index. This index shows the group, illustration number and each part listed in the catalog. Multiple references mean the part is listed more than once.

Option 4: Other options such as group identifiers exist in these catalogs. For Example, Group 23 Body has been broken in sections, i.e. 23A Sheet Metal now is S(model code). Example: SGS for model GS. Group 23C Doors now is D(model code) ex. DGS. Group 23 Exterior Ornamentation now is E(model code). This same logic applies to the Interior Trim Section (ex. IGS).

The Group 9 Engine sections in prior parts catalogs had been numbered 9A, 9B, 9C, etc. There was no real meaning to this numbering scheme. In this new MACS produced catalog the group numbering scheme is as follows: 2.5LD means 2.5 Liter Diesel Engine; 2.0L means 2.0 Liter Four Cylinder Gas Engine; 3.3L6T means 3.3 Liter Six Cylinder Transverse Mounted Engine; and 3.8L means 3.8 Liter Six Cylinder Engine. Also note that Engine Mounting parts are located in Group 9.

PAGE NUMBERING

Two-part page numbers are used throughout this catalog. The first part of the page designation indicates one major group or section. The second part indicates the actual page number in the group. For example:

2-1 indicates Group 2, Front Suspension, Page 1
3-4 indicates Group 3, Axle Rear, Page 4

In the maintenance of the Loose Leaf Parts Catalog Revision Service, it may become necessary to add information beyond the capacity of the page. In this event, an "A" page will be used. For example, if it becomes necessary, because of change, to add several part numbers to page 2-1 and space does not permit the addition, you will be given Page 2-1A. Page 2-1A should be filed immediately following Page 2-1.

Figure and Item Numbers are also commonly used to identify locations in the Catalog, i.e., 14-910/8 refers to Group 14, illustration 910, Item Number 8. Illustration Numbers are always ascending sequential within the Groups.

SYMBOLS USED IN THIS CATALOG

The Following symbols are commonly used with Part Number and Quantity information in this Catalog:

AR - Indicates the quantity required may vary or is to be determined by the user.

PAR - Indicates "Paint As Required"

BLANK - Indicates "All Condition"

- = "Not Illustrated"

LOGICAL ILLUSTRATIONS

Refer to Illustration in front of each group. This will give assistance to as how each group is broken down and what Specific Illustration should be referenced.

ILLUSTRATION NUMBERING INDEX

Illustration numbers in this Catalog are Group standards. This indicates group and consistent content. EXAMPLE: 8-100 is a Logical Illustration for Starters. 8-101 to 8-199 are Specific Illustrations used for Starters for all Catalogs. 8-200 will contain Alternators for all Catalogs and so on. Always refer to group index in front of each group.

ILLUSTRATION INDEX

This index is a compilation of catalog parts description data with reference to illustrations, figures and key numbers as shown:

Fender ie; Model.....Group: S(Model)Illustration 410
(Fender is located in Sheet Metal Section (S) in Illustration 410)

The first page of each group contains a listing of all illustrations and group breakdown within that group. Also refer to illustrations alphabetically listed in information section.

ALPHABETIC INDEX

This index is a compilation of catalog parts description data with a reference to the location of the item by Group, Figure, and Key Number as shown in the following example:

Housing, w/Pump.....Group 7 Illustration 210 Item 10
(Housing, w/Pump.....7-210/10)

The index will be expanded progressively as data is added to computer files. To locate a part by name refer to the Alphabetical Index. This index indicates the group and illustration and item number where the part is located. Alphabetical Index can be found in INF section of this Catalog.

NUMERICAL INDEX

A listing of Part Numbers contained in the catalog. The numbers are in numerical sequence with reference to the group and Illustration and item number where the part is located.

PARTS PACKAGES

Service Parts Packages, containing all parts needed for specific service operation, are listed in their respective groups with related parts. The listing will show adaptability and model application.

STANDARD PARTS

Important attaching standard parts such as bolts, nuts, etc, are generally listed in the text of the respective major parts groups.

VIN PLATE DECODING INFORMATION

1	2	3	4	5	6	7	8	9	10	11	12 thru 17
Country	Make	Vehicle Type	Other	Line	Series	Body Style	Engine	Check Digit	Model Year	Assy. Plant	Sequence No.

The following table interprets the VIN Plate positions shown above.

Position	Interpretation	Codes = Description
1	Country of Origin	1 = Built in U.S. by DaimlerChrysler Corporation.
2	Make	J = Jeep
3	Vehicle type	4 = MPV
4	GVWR & Pass. Safety	D=0-1360 kg (0-3000 lbs) E=1361-1814 kg (3001-4000 lbs) F=1815-2267 kg (4001-5000 lbs) G=2268-2721 kg (5001-6000 lbs) H=2722-3175 kg (6001-7000 lbs) J=3176-3628 kg (7001-8000 lbs) K=3629-4082 kg (8001-9000 lbs) L=4083-4535 kg (9001-10000 lbs) M=4536-6350 kg (10001-14000 lbs)
5	Vehicle Line	Y = Wrangler 4x4
6	Series	1 = Sport 2 = Wrangler SE 4 = Sahara
7	Body Style	9 = TJ - 77
8	Engine	P = 2.5L Gas Unleaded (EPE) S = 4.0L Gas Unleaded ERH)
9	Check Digit	
10	Model Year	V = 1997, W = 1998, X = 1999
11	Assembly Plant	P = Toledo #2
12 thru 17	Vehicle Build Sequence	Model Year Assembly Sequence

BODY CODE PLATE INTERPRETATION

The Body Code Plate is located on the Left Front Side Shield or Wheel Housing or the Upper Radiator Support. The Plate contains 7 rows of data. The bottom 3 rows are reserved for the specific information as depicted below. Starting at the fourth row (following the reserved portion), other Sales Codes used to build a specific vehicle are listed in the ascending order by ALPHA sequence.

1	2	3	4	5	6	7	8	9	10	11	12	13	14	15	16	17	18	19	20	21
22	23	24	25	26	27	28	29	30	31	32	33	34	35	36	37	38	39			
40	41	42	43	44	45	46	47	48	49	50	51	52	53	54	55	56	57	58	59	60

1-12	VEHICLE ORDER NUMBER
13-15	VINYL ROOF CODE/DOOR COMBO CODES
16-18	VEHICLE SHELL CAR LINE
19	PRICE CLASS
20-21	BODY TYPE
22-24	PAINT PROCEDURE
25-28	PRIMARY PAINT
29-32	SECONDARY PAINT
33-36	INTERIOR TRIM CODE
37-39	ENGINE CODES
40-42	TRANSMISSION CODES
43	MARKET CODES
44-46	VEHICLE IDENTIFICATION NUMBER (VIN) For definition of the Elements and the individual position see Vin Plate Defined.

ABBREVIATIONS

A/C	Air Conditioner
ABS	Anti-Lock Brakes System
AR	As Required
ATC	Automatic Temperature Control
AWD	All Wheel Drive
BUX	Built Up Export
CV	Constant Velocity
DOHC	Dual (or Double) OverHead Cam
EFI	Electronic Fuel Injection
EGR	Exhaust Gas Recirculation
ECU	Electronic Control Unit
FWD	Front Wheel Drive
HEX	HEXagon
HCU	Hydraulic Control Unit
I/D	Inside Diameter
L	Liter
LED	Light Emitting Diode
MAP	Manifold Absolute Pressure
MPH	Miles Per Hour
O/D	Outside Diameter
P/S	Power Steering
PSI	Pounds per Square Inch
PSF	Pounds per Square Foot
PRNODL	Park, Reverse, Neutral, Overdrive, Drive, Low
PRNDL	Park, Reverse, Neutral, Drive, Low
PTO	Power Take Off
RFI	Radio Frequency Interference
RPM	Revolutions Per Minute
RTV	Room Temperature Vulcanizer (sealant)
T/BODY	Throttle BODY
U/BODY	Under BODY
SOHC	Single OverHead Cam
PAR	Paint As Required

Group – 002

Front Suspension & Drive

GROUP 2 - Front Suspension & Drive

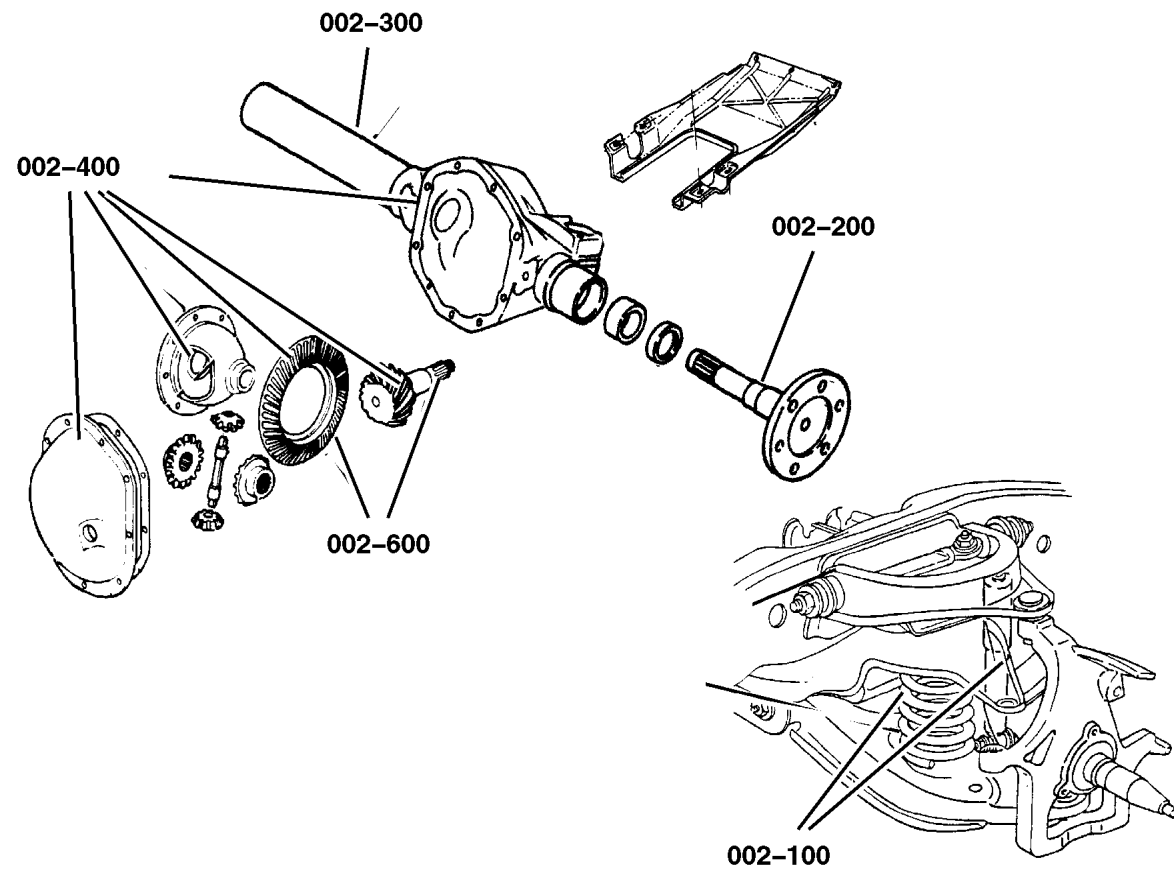


Illustration Title

Group-Fig. No.

Front Suspension

Suspension,Front,Springs,Control Arms,Shocks and Track Bar 1997 TJ	Fig. 002-110
Suspension,Front,Springs,Control Arms,Shocks and Track Bar 1998 TJ	Fig. 002-110
Suspension,Front,Springs,Control Arms,Shocks and Track Bar 1999 TJ	Fig. 002-110
Bar,Front Stabilizer 1997 TJ	Fig. 002-120
Bar,Front Stabilizer 1998 TJ	Fig. 002-120
Bar,Front Stabilizer 1999 TJ	Fig. 002-120

Front Axle Drive Shafts

Shafts,Front Axle 1997 TJ	Fig. 002-210
Shafts,Front Axle 1998 TJ	Fig. 002-210
Shafts,Front Axle 1999 TJ	Fig. 002-210

Front Axle Housing



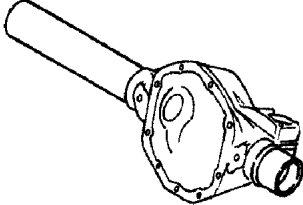
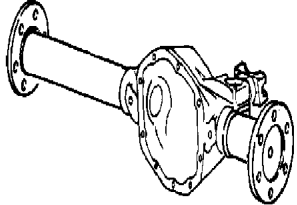
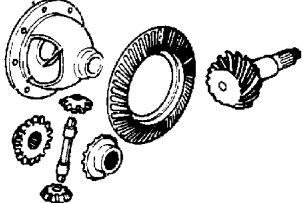
Housing,Front Axle 1997 TJ	Fig. 002-310
Housing,Front Axle 1998 TJ	Fig. 002-310
Housing,Front Axle 1999 TJ	Fig. 002-310

Front Axle Assembly

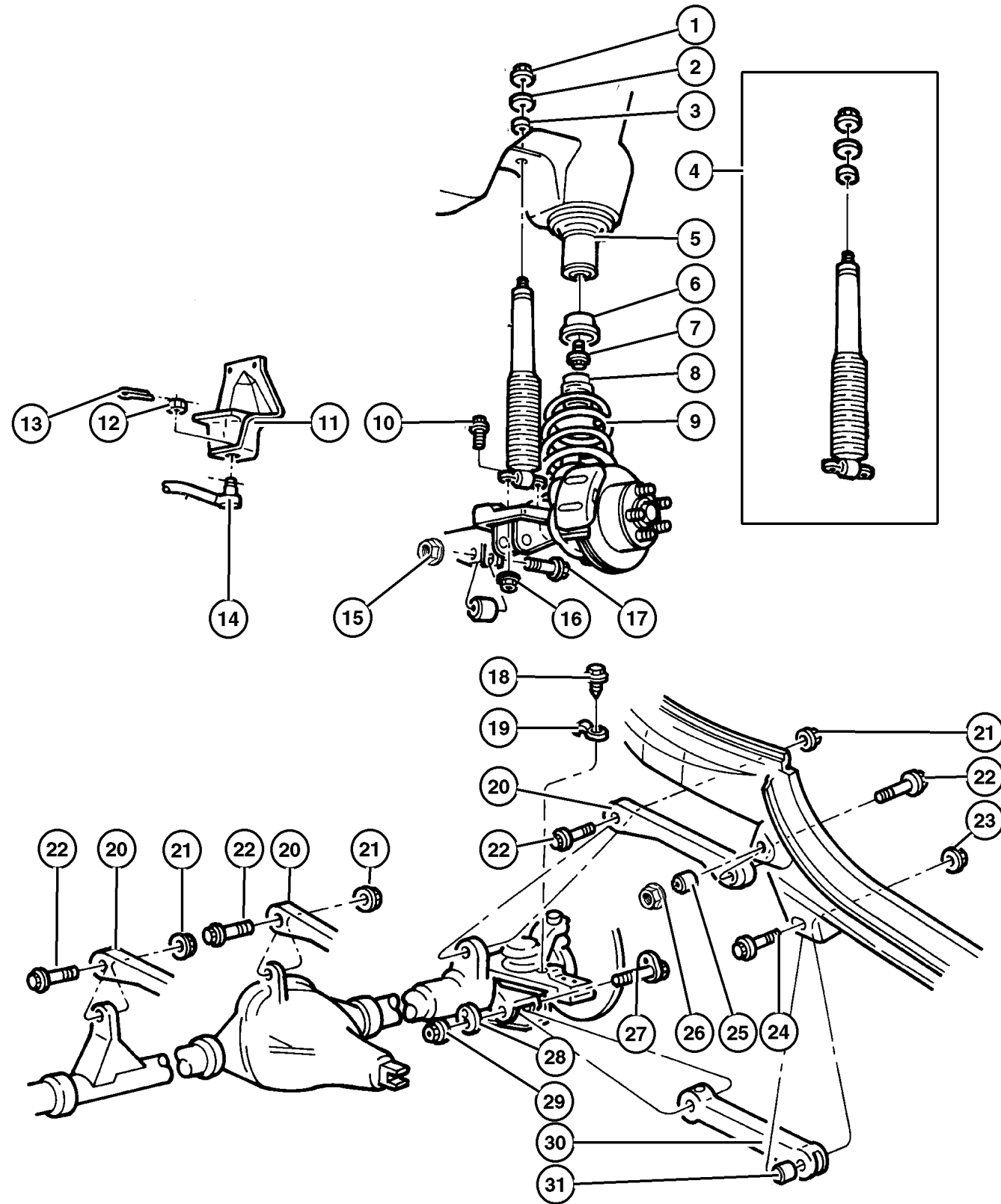
Axle Assembly,Front 1997 TJ	Fig. 002-410
Axle Assembly,Front 1998 TJ	Fig. 002-410
Axle Assembly,Front 1999 TJ	Fig. 002-410

Front Axle Differential

Differential,Front Axle 1997 TJ	Fig. 002-610
Differential,Front Axle 1998 TJ	Fig. 002-610
Differential,Front Axle 1999 TJ	Fig. 002-610

<p>002-100 Front Suspension</p> 	<p>002-200 Front Axle Drive Shafts</p> 	<p>002-300 Front Axle Housing</p> 	<p>002-400 Front Axle Assembly</p> 
<p>002-600 Front Axle Differential</p> 			

Suspension,Front,Springs,Control Arms,Shocks and Track Bar 1997 TJ
Figure 002-110



ITEM	PART NUMBER	QTY	LINE	BODY	ENGINE	TRANS	DESCRIPTION
Note:Sales Codes;							
[SDA]=Gas Charged/Normal Duty							
[SDU]=High Pressure Gas Charged							
[ZAD] Through [ZNG] = Spring Sales Codes will be found on Vehicle Identification Number [VIN] Sales Code Listing							
1	6502 556	2					NUT, Hex, M10-1.5, Shock Upper, Mounting
2							RETAINER, Shock Absorber
	5200 5574	2	J	77			Shock Upper, Mounting
		2	U	77			Shock Upper, Mounting
3	5208 7768	2					GROMMET, Shock Absorber, Shock Upper, Mounting
4							SHOCK ABSORBER PACKAGE, Suspension, Front
	5015 547AA	2					[SDA]
	4886 533AA	2					[SDU]
5							ISOLATOR, Spring
	5208 7767	2	J	77			Upper
		2	U	77			Upper
6							CUP, Jounce Bumper
	5208 7635	2	J	77			Upper
		2	U	77			Upper
7	6100 402	2					BOLT, Hex Head, M10x35, Jounce Bumper Upper Cup, Mounting
8							BUMPER, Jounce
	5208 7992	2	J	77			Upper
		2	U	77			Upper
9							SPRING, Front Coil
	5208 8126	1	J	77			[ZAD,ZND]
	5208 8127	1	J	77			[ZAE,ZNE]
	5208 8128	1	J	77			[ZAF,ZNF]
	5208 8129	1	J	77			[ZAG,ZNG]
	5208 8126	1	U	77			[ZAD,ZND]
	5208 8127	1	U	77			[ZAE,ZNE]
	5208 8128	1	U	77			[ZAF,ZNF]
	5208 8129	1	U	77			[ZAG,ZNG]
10	6502 555	4					BOLT, M8x1.25x30, Shock Lower, Mounting
11							BRACKET, Track Bar to Rail, Purchase Frame, (NOT SERVICED)
12							NUT, Hex, .50-20
	6034 358	1	J	77			Track Bar to Frame, Mounting
		1	U	77			Track Bar to Frame, Mounting
13							PIN, Cotter, M3.2x36, (NOT SERVICED)
14							BAR, Track
	5208 8432	1	J				
	5208 8430	1	U				
15							NUT, Hex Flange Lock, M10x1.5

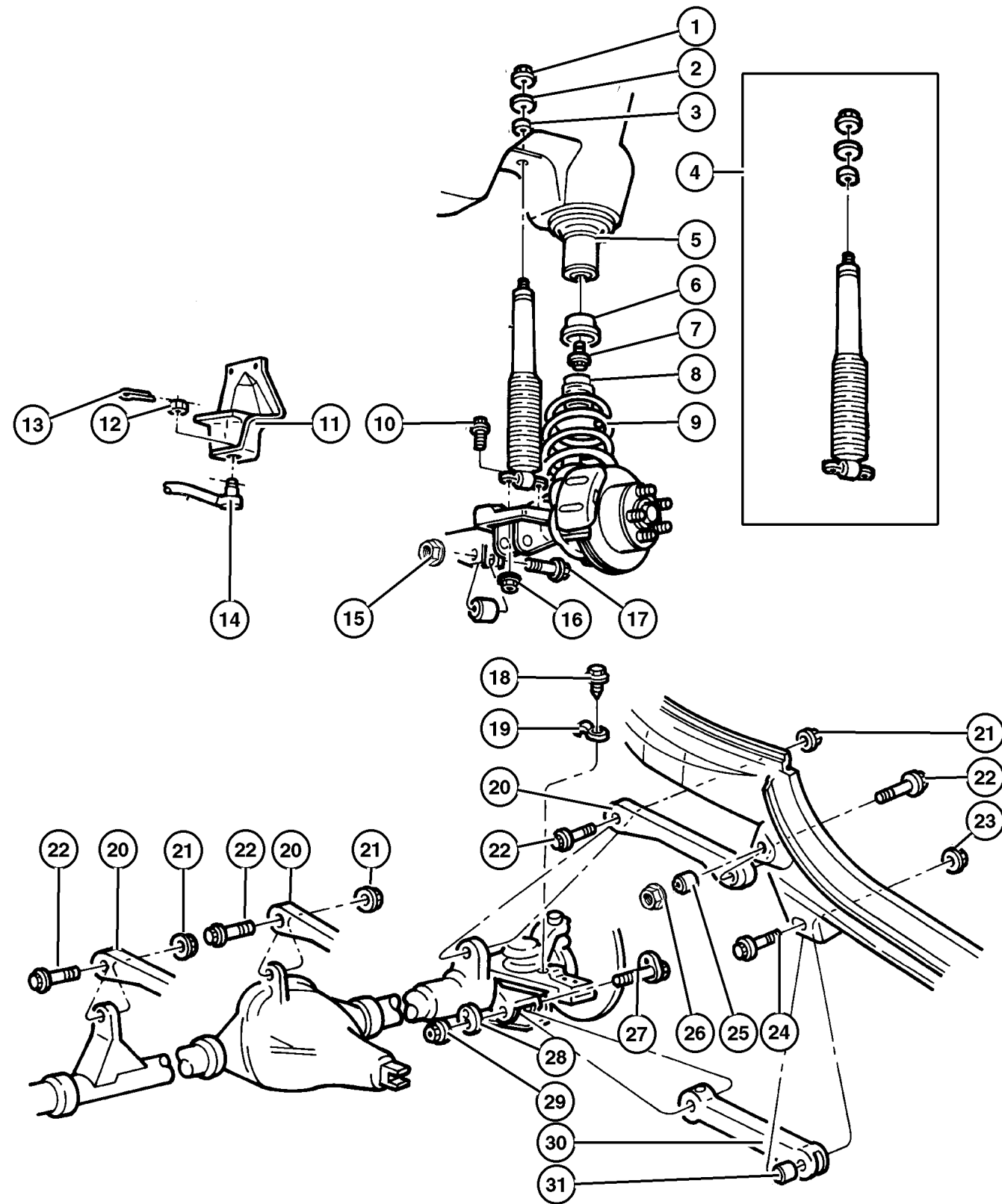
JEEP WRANGLER (TJ)

SERIES	LINE	BODY	ENGINE	TRANSMISSION
L=Low Line	J = Wrangler 4WD U = Wrangler 4WD (RHD)	77 = 93.4 WB	EPE, EP0 = 2.5L Power Tech ERH, ER0 = 4.0L Power Tech	DGG, DGD = 32RH 3 Spd. Auto. DDQ = 5 Spd. Manual DG0 = All Auto. Trans. DBB =All Manual Trans.

AR = Use as required - = Non illustrated part # = New this model year

June 7, 2002

Suspension,Front,Springs,Control Arms,Shocks and Track Bar 1997 TJ
Figure 002-110



ITEM	PART NUMBER	QTY	LINE	BODY	ENGINE	TRANS	DESCRIPTION
	6502 561	1	J				Track Bar to Axle, Mounting
	5208 7888	1	U				Track Bar to Axle, Mounting
16	6101 695	4					NUT, Hex Flange Lock, M8x1.25, Shock Lower, Mounting
17							SCREW, Truss Head, M10x1.5x75
	6503 981	1	J	77			Track Bar to Axle, Mounting
		1	U	77			Track Bar to Axle, Mounting
18	6502 468	2					SCREW, Hex Flange Head, M8x1.25x20, Coil Spring Retainer, Mounting
19	5200 5917	1					BRACKET, Spring, Coil Spring Retainer, Mounting
20	5208 7711	2					ARM, Control, with Bushing, Upper
21	1150 6007	2					NUT, Hex Flange, M10x1.5, Upper Control Arm to Axle, Mounting
22							BOLT AND RETAINER, Hex Head, M10x1.50x75.00, (NOT SERVICED)
23	6502 698	4					NUT, Hex Flange Lock, Lower Control Arm to Frame, Mounting
24							BOLT, Hex Flange Head, M14x2.0x105
	6502 963	2	J	77			Lower Control Arm to Frame, Mounting
		2	U	77			Lower Control Arm to Frame, Mounting
25	5208 7852	2					BUSHING, Control Arm, Upper Rear to Frame, Mounting
26							NUT AND RETAINER, Hex Flange Lock, m8x1.25
	6503 648	2	J	77			Upper Control Arm to Frame, Mounting
		2	U	77			Upper Control Arm to Frame, Mounting
27							BOLT AND WASHER, Hex Head, M14 x 2.00 x 111.6
	6504 238	2	J	77			Lower Control Arm to Axle, Mounting
		2	U	77			Lower Control Arm to Axle, Mounting
28							WASHER, M14
	6504 236	2	J	77			Lower Control Arm to Axle, Mounting
		2	U	77			Lower Control Arm to Axle, Mounting
29							NUT, Hex, M14-2
	6503 841	2	J	77			Lower Control Arm to Axle, Mounting
		2	U	77			Lower Control Arm to Axle, Mounting
30	5208 8654	2					ARM, Control, with Bushing, Lower
31	5208 8433	4					BUSHING, Control Arm, Lower Control Arm to Frame, Lower

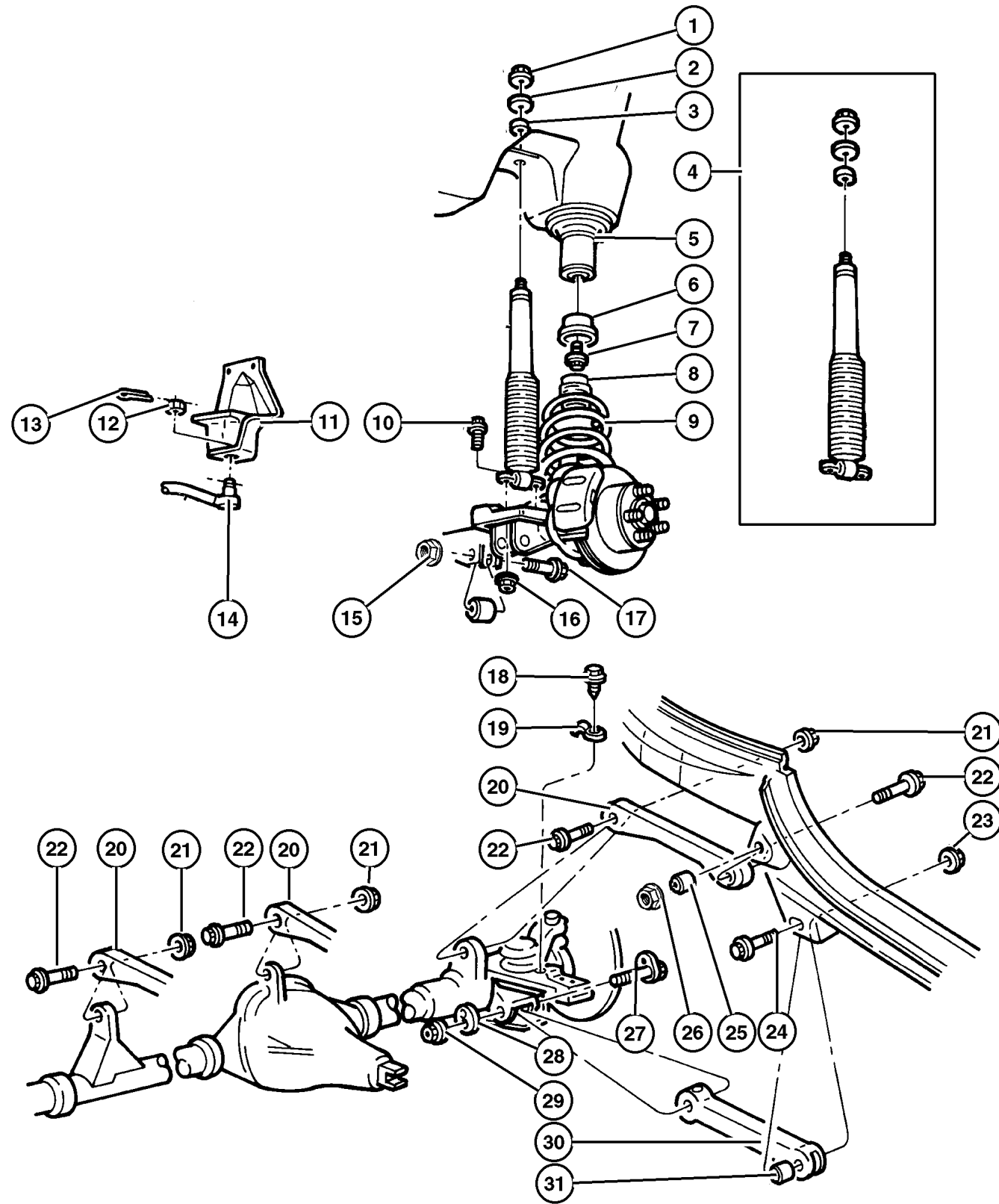
JEEP WRANGLER (TJ)

SERIES	LINE	BODY	ENGINE	TRANSMISSION
L=Low Line	J = Wrangler 4WD U = Wrangler 4WD (RHD)	77 = 93.4 WB	EPE, EP0 = 2.5L Power Tech ERH, ER0 = 4.0L Power Tech	DGG, DGD = 32RH 3 Spd. Auto. DDQ = 5 Spd. Manual DGO = All Auto. Trans. DBB =All Manual Trans.

AR = Use as required - = Non illustrated part # = New this model year

June 7, 2002

Suspension,Front,Springs,Control Arms,Shocks and Track Bar 1998 TJ
Figure 002-110



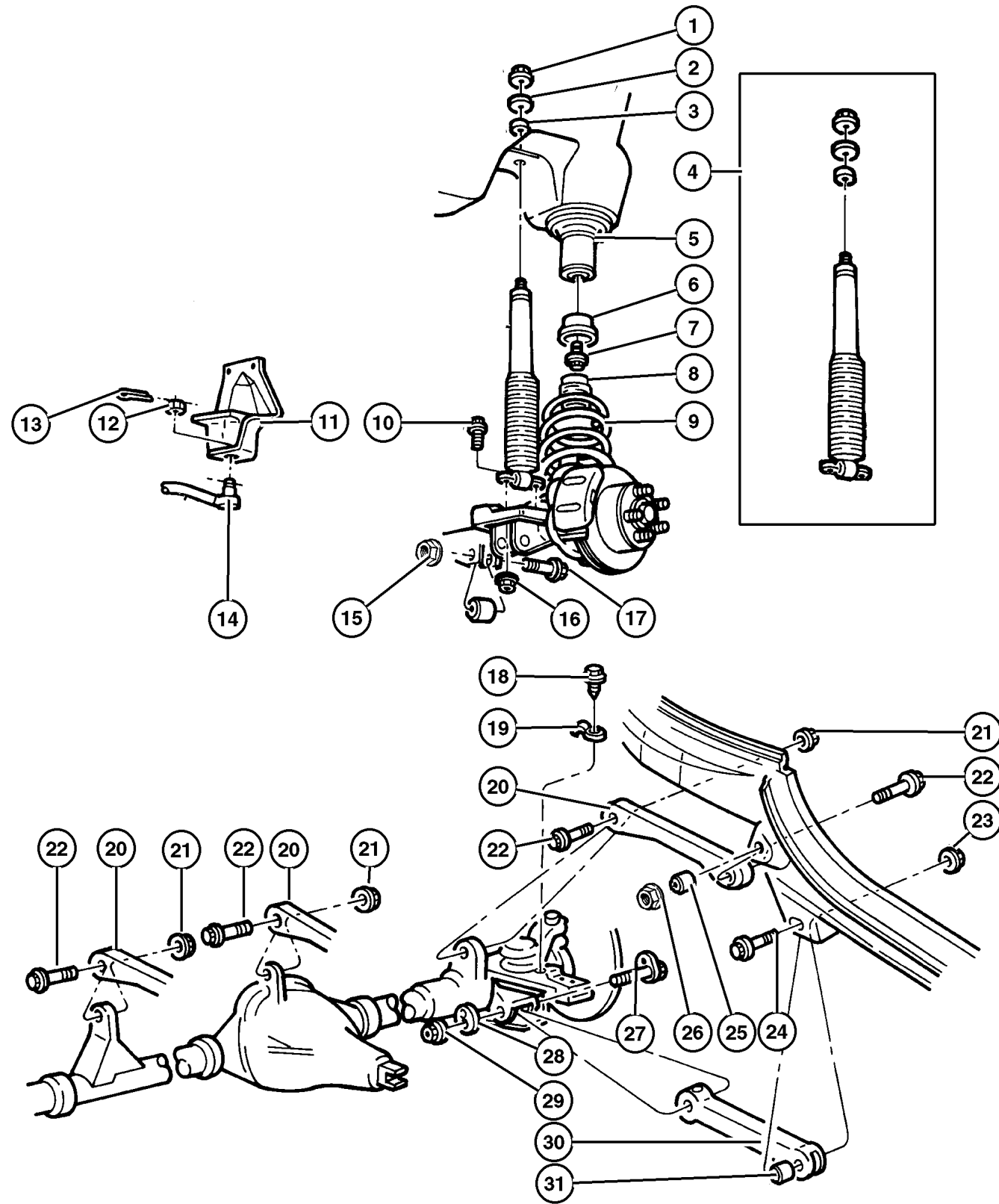
ITEM	PART NUMBER	QTY	LINE	BODY	ENGINE	TRANS	DESCRIPTION
Note:Sales Codes;							
[SDA]=Gas Charged/Normal Duty							
[SDU]=High Pressure Gas Charged							
[ZBD] Through [ZPG] = Spring Sales Codes will be found on Vehicle Identification Number [VIN] Sales Code Listing							
1	6502 556	2					NUT, Hex, M10-1.5, Shock Upper, Mounting
2	5200 5574	2					RETAINER, Shock Absorber, Shock Upper, Mounting
3	5208 7768	2					GROMMET, Shock Absorber, Shock Upper, Mounting
4	4897 567AA	2					SHOCK ABSORBER PACKAGE, Suspension, Front [SDA]
	4886 533AC	2					[SDU]
5	5208 7767	2					ISOLATOR, Spring, Upper
6	5208 7635	2					CUP, Jounce Bumper, Upper
7	6100 402	2					BOLT, Hex Head, M10x35, Jounce Bumper Upper Cup, Mounting
8	5208 7992	2					BUMPER, Jounce, Upper
9	52088 126AB	1					SPRING, Front Coil [ZBD,ZPD]
	52088 127AB	1					[ZBE,ZPE]
	52088 128AB	1					[ZBF,ZPF]
	52088 129AB	1					[ZBG,ZPG]
10	6502 555	4					BOLT, M8x1.25x30, Shock Lower, Mounting
11							BRACKET, Track Bar to Rail, Purchase Frame, (NOT SERVICED)
12	6034 358	1					NUT, Hex, .50-20, Track Bar to Frame, Mounting
13							PIN, Cotter, M3.2x36, (NOT SERVICED)
14							BAR, Track
	5208 8432	1	J				
	5208 8430	1	U				
15	6502 561	1	J				NUT, Hex Flange Lock, M10x1.5 Track Bar to Axle, Mounting
	5208 7888	1	U				Track Bar to Axle, Mounting
16	6101 695	4					NUT, Hex Flange Lock, M8x1.25, Shock Lower, Mounting
17	6503 981	1					SCREW, Truss Head, M10x1.5x75, Track Bar to Axle, Mounting
18	6502 468	2					SCREW, Hex Flange Head, M8x1.25x20, Coil Spring Retainer, Mounting
19	5200 5917	1					BRACKET, Spring, Coil Spring Retainer, Mounting
20	5208 7711	2					ARM, Control, with Bushing, Upper
21	1150 6007	2					NUT, Hex Flange, M10x1.5, Upper Control Arm to Axle, Mounting

JEEP WRANGLER (TJ)				
SERIES	LINE	BODY	ENGINE	TRANSMISSION
L=Low Line	J = Wrangler 4WD U = Wrangler 4WD (RHD)	77 = 93.4 WB	EPE, EP0 = 2.5L Power Tech ERH, ER0 = 4.0L Power Tech	DGG, DGD = 32RH 3 Spd. Auto. DDQ = 5 Spd. Manual DG0 = All Auto. Trans. DBB =All Manual Trans.

AR = Use as required - = Non illustrated part # = New this model year

June 7, 2002

Suspension,Front,Springs,Control Arms,Shocks and Track Bar 1998 TJ
Figure 002-110



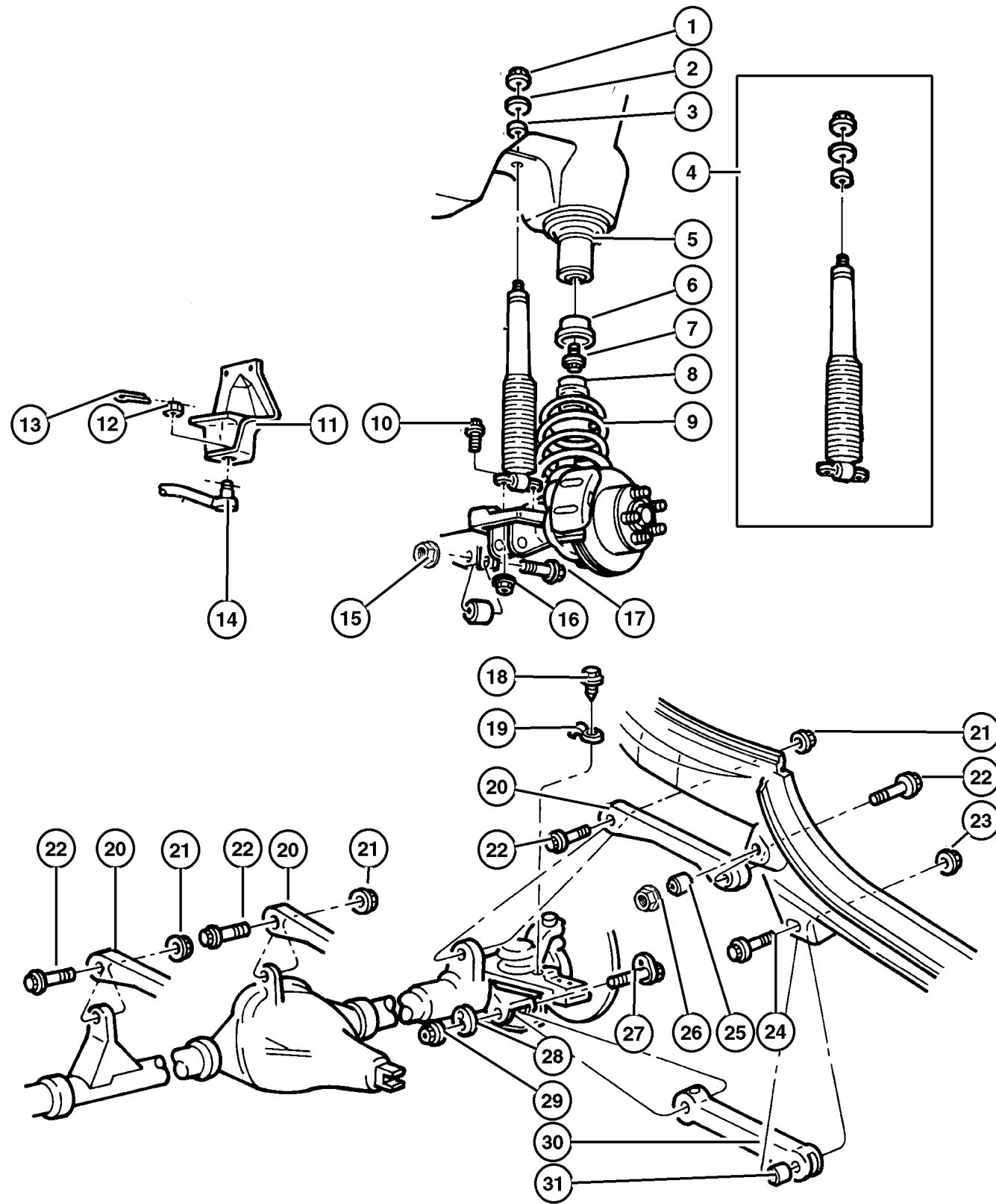
ITEM	PART NUMBER	QTY	LINE	BODY	ENGINE	TRANS	DESCRIPTION
22							BOLT AND RETAINER, Hex Head, M10x1.50x75.00, (NOT SERVICED)
23	6502 698	4					NUT, Hex Flange Lock, Lower Control Arm to Frame, Mounting
24	6502 963	2					BOLT, Hex Flange Head, M14x2.0x105, Lower Control Arm to Frame, Mounting
25	5208 7852	2					BUSHING, Control Arm, Upper Rear to Frame, Mounting
26	6503 648	2					NUT AND RETAINER, Hex Flange Lock, m8x1.25, Upper Control Arm to Frame, Mounting
27	6504 238	2					BOLT AND WASHER, Hex Head, M14 x 2.00 x 111.6, Lower Control Arm to Axle, Mounting
28	6504 236	2					WASHER, M14, Lower Control Arm to Axle, Mounting
29	6503 841	2					NUT, Hex, M14-2, Lower Control Arm to Axle, Mounting
30	5208 8654	2					ARM, Control, with Bushing, Lower
31	5208 8433	4					BUSHING, Control Arm, Lower Control Arm to Frame, Lower

JEEP WRANGLER (TJ)				
SERIES	LINE	BODY	ENGINE	TRANSMISSION
L=Low Line	J = Wrangler 4WD U = Wrangler 4WD (RHD)	77 = 93.4 WB	EPE, EP0 = 2.5L Power Tech ERH, ER0 = 4.0L Power Tech	DGG, DGD = 32RH 3 Spd. Auto. DDQ = 5 Spd. Manual DG0 = All Auto. Trans. DBB =All Manual Trans.

AR = Use as required - = Non illustrated part # = New this model year

June 7, 2002

Suspension,Front,Springs,Control Arms,Shocks and Track Bar 1999 TJ
Figure 002-110

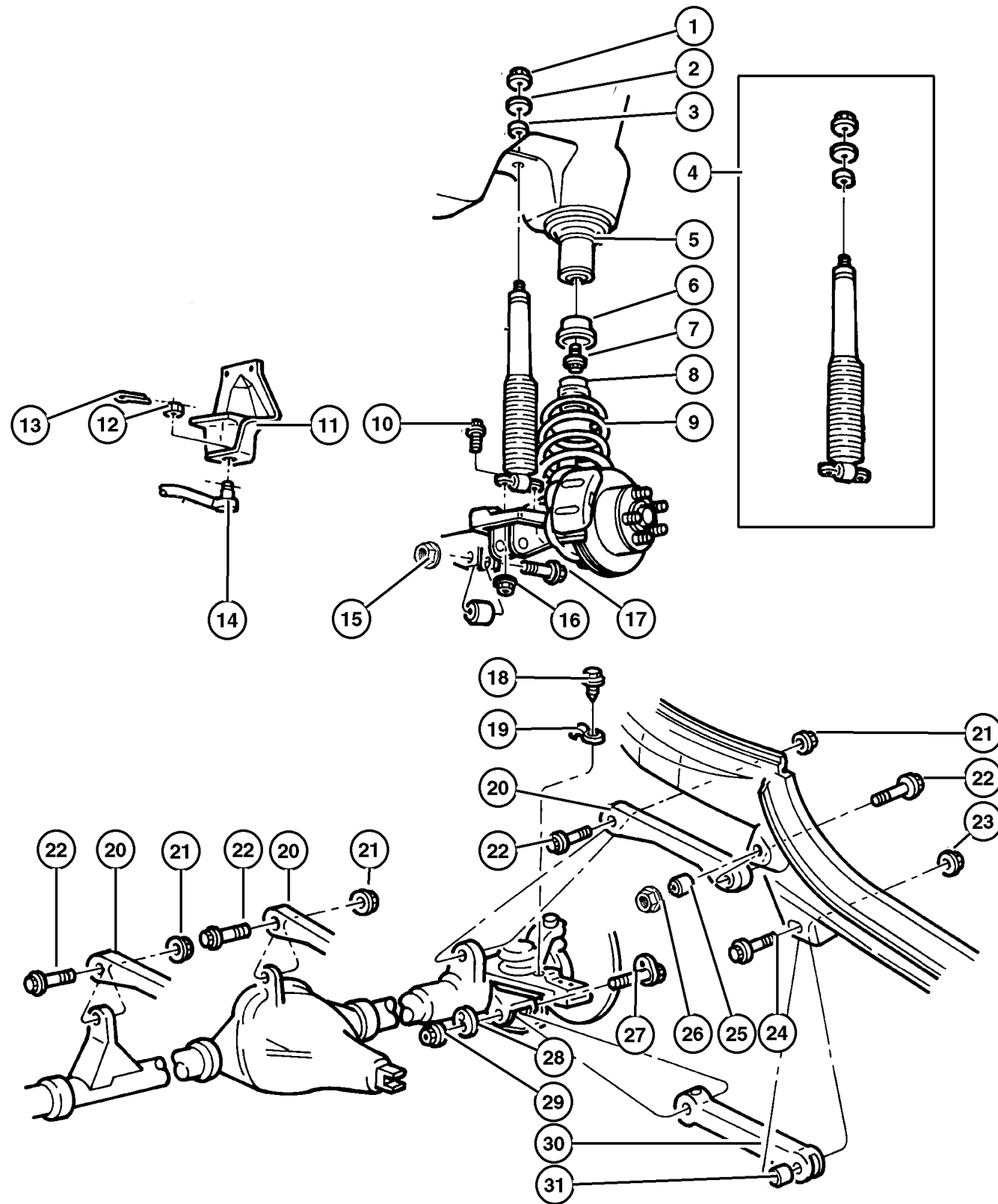


ITEM	PART NUMBER	QTY	LINE	BODY	ENGINE	TRANS	DESCRIPTION
Note:Sales Codes;							
[SDA]=Gas Charged/Normal Duty							
[SDU]=High Pressure Gas Charged							
[ZBD] Through [ZPG] = Spring Sales Codes will be found on Vehicle Identification Number [VIN] Sales Code Listing							
1	6502 556	2					NUT, Hex, M10-1.5, Shock Upper, Mounting
2	5200 5574	2					RETAINER, Shock Absorber, Shock Upper, Mounting
3	5208 7768	2					GROMMET, Shock Absorber, Shock Upper, Mounting
4	4897 567AA	2					SHOCK ABSORBER PACKAGE, Suspension, Front [SDA]
	4886 533AC	2					[SDU]
5	5208 7767	2					ISOLATOR, Spring, Upper
6	5208 7635	2					CUP, Jounce Bumper, Upper
7	6100 402	2					BOLT, Hex Head, M10x35, Jounce Bumper Upper Cup, Mounting
8	5208 7992	2					BUMPER, Jounce, Upper
9	52088 126AB	1					SPRING, Front Coil [ZBD,ZPD]
	52088 127AB	1					[ZBE,ZPE]
	52088 128AB	1					[ZBF,ZPF]
	52088 129AB	1					[ZBG,ZPG]
10	6502 555	4					BOLT, M8x1.25x30, Shock Lower, Mounting
11							BRACKET, Track Bar to Rail, Purchase Frame, (NOT SERVICED)
12	6034 358	1					NUT, Hex, .50-20, Track Bar to Frame, Mounting
13							PIN, Cotter, M3.2x36, (NOT SERVICED)
14							BAR, Track
	5208 8432	1	J				
	5208 8430	1	U				
15	6502 561	1	J				NUT, Hex Flange Lock, M10x1.5 Track Bar to Axle, Mounting
	5208 7888	1	U				Track Bar to Axle, Mounting
16	6101 695	4					NUT, Hex Flange Lock, M8x1.25, Shock Lower, Mounting
17	6503 981	1					SCREW, Truss Head, M10x1.5x75, Track Bar to Axle, Mounting
18	6502 468	2					SCREW, Hex Flange Head, M8x1.25x20, Coil Spring Retainer, Mounting
19	5200 5917	1					BRACKET, Spring, Coil Spring Retainer, Mounting
20	5208 7711	2					ARM, Control, with Bushing, Upper
21	1150 6007	2					NUT, Hex Flange, M10x1.5, UCA to Axle, Mounting
22							BOLT AND RETAINER, Hex Head, M10x1.50x75.00, (NOT SERVICED)

JEEP WRANGLER (TJ)

SERIES	LINE	BODY	ENGINE	TRANSMISSION
L=Low Line	J = Wrangler 4WD U = Wrangler 4WD (RHD)	77 = 93.4 WB	EPE, EP0 = 2.5L Power Tech ERH, ER0 = 4.0L Power Tech	DGG, DGD = 32RH 3 Spd. Auto. DDQ = 5 Spd. Manual DG0 = All Auto. Trans. DBB =All Manual Trans.

Suspension,Front,Springs,Control Arms,Shocks and Track Bar 1999 TJ
Figure 002-110



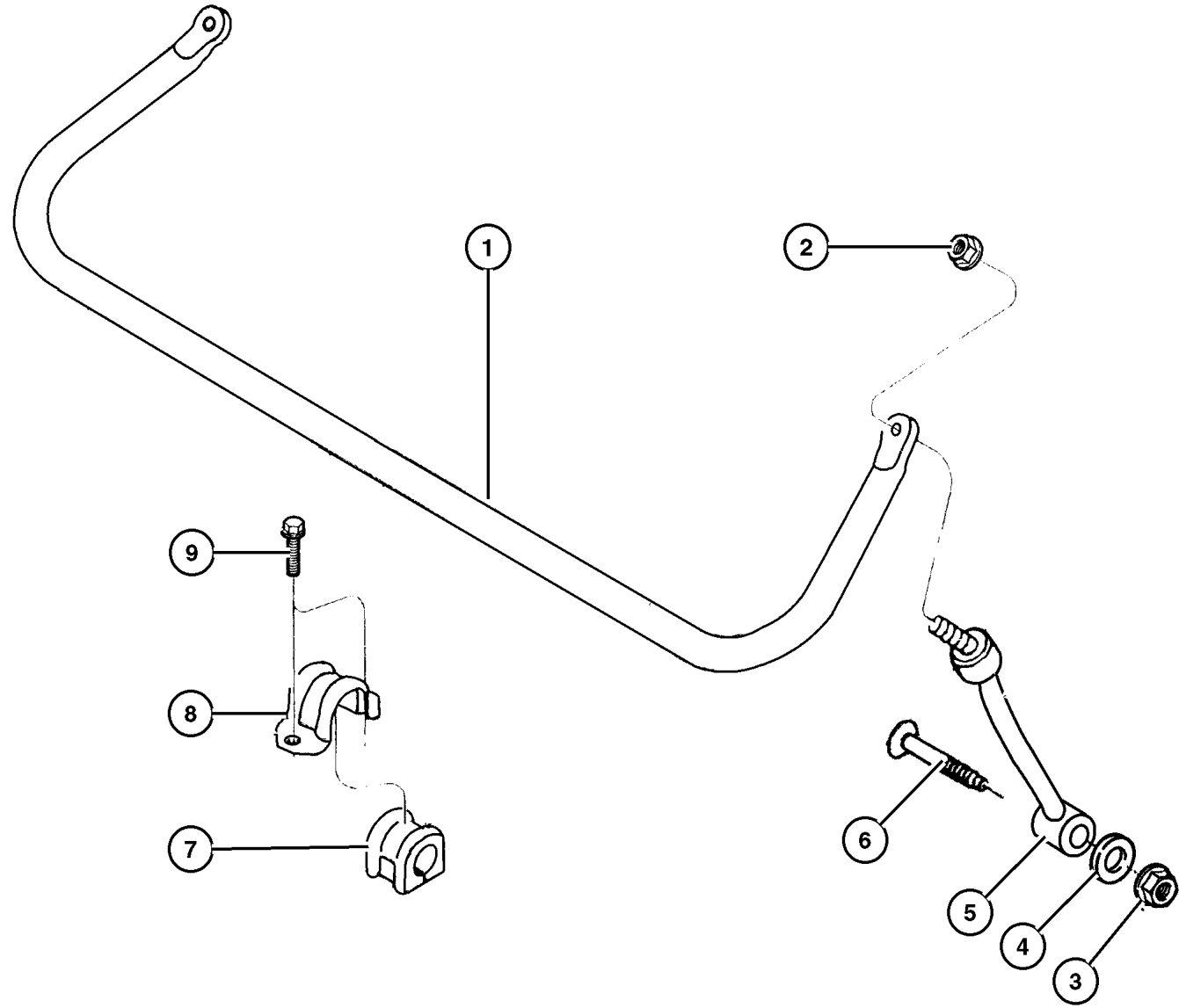
ITEM	PART NUMBER	QTY	LINE	BODY	ENGINE	TRANS	DESCRIPTION
23	6502 698	4					NUT, Hex Flange Lock, LCA to Frame, Mounting
24	6502 963	2					BOLT, Hex Flange Head, M14x2.0x105, LCA to Frame, Mounting
25	5208 7852	2					BUSHING, Control Arm, UCA to Frame
26	6503 648	2					NUT AND RETAINER, Hex Flange Lock, m8x1.25, UCA to Frame, Mounting
27	6504 238	2					BOLT AND WASHER, Hex Head, M14 x 2.00 x 111.6, LCA to Axle, Mounting
28	6504 236	2					WASHER, M14, LCA to Axle, Mounting
29	6503 841	2					NUT, Hex, M14-2, LCA to Axle, Mounting
30	5208 8654	2					ARM, Control, with Bushing, Lower
31	5208 8433	4					BUSHING, Control Arm, LCA to Frame

JEEP WRANGLER (TJ)				
SERIES	LINE	BODY	ENGINE	TRANSMISSION
L=Low Line	J = Wrangler 4WD U = Wrangler 4WD (RHD)	77 = 93.4 WB	EPE, EP0 = 2.5L Power Tech ERH, ER0 = 4.0L Power Tech	DGG, DGD = 32RH 3 Spd. Auto. DDQ = 5 Spd. Manual DG0 = All Auto. Trans. DBB =All Manual Trans.

AR = Use as required - = Non illustrated part # = New this model year

June 7, 2002

Bar,Front Stabilizer 1997 TJ
Figure 002-120

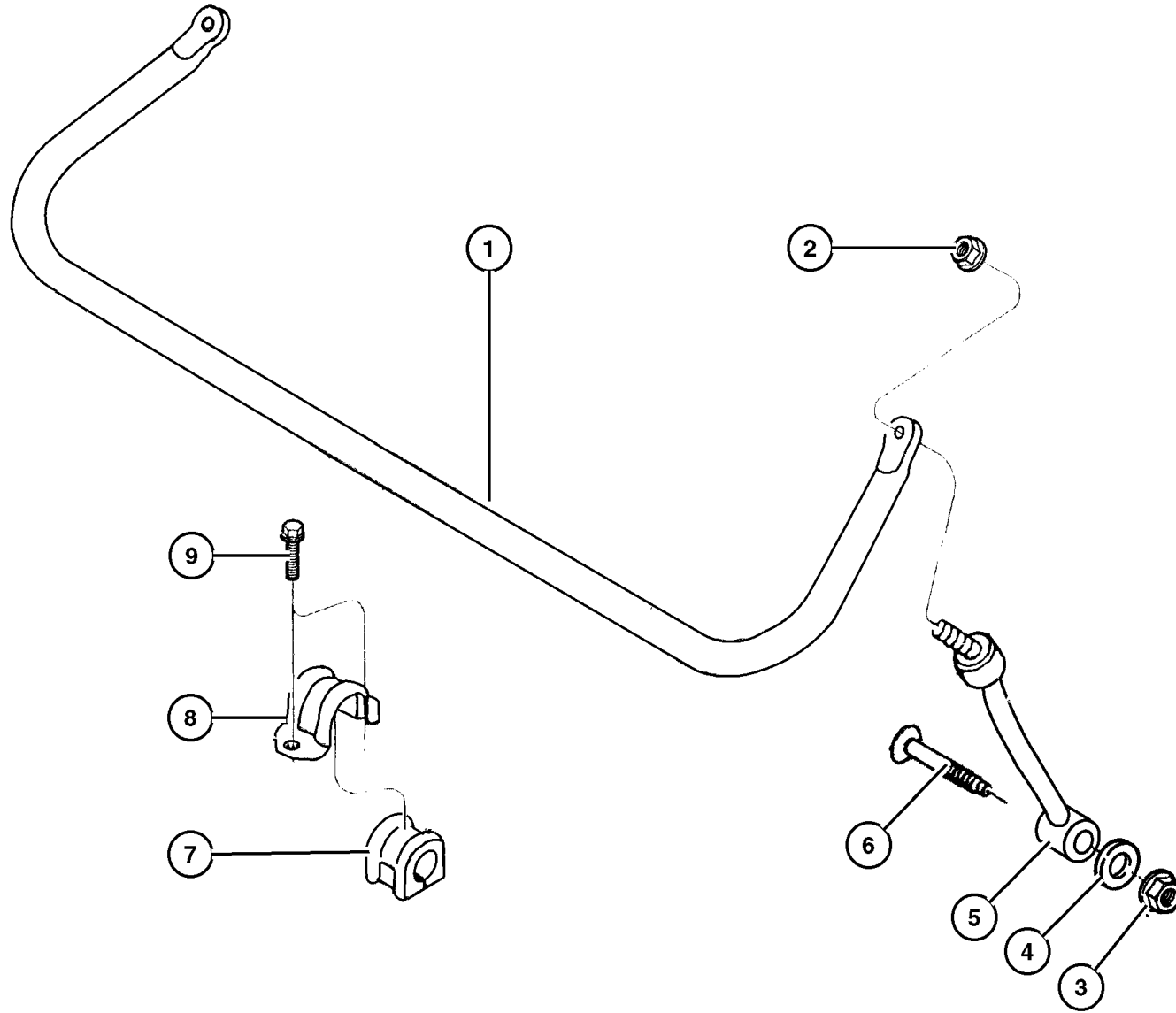


ITEM	PART NUMBER	QTY	LINE	BODY	ENGINE	TRANS	DESCRIPTION
1							STABILIZER BAR, Front Suspension
	5208 7824	1	J	77			
		1	U	77			
2	6502 979	2					NUT AND WASHER, Hex, M10x1.5
3	6502 697	2					NUT, Hex Flange Lock, M12x1.75
4							WASHER, ID 13.07 OD 40.00 THK 3.50 , (NOT SERVICED)
5							LINK, Sway Eliminator
	5208 7771	2	J	77			
		2	U	77			
6							SCREW, Truss Head, M12x1.75x70
	6502 930	2	J	77			
		2	U	77			
7	5208 8378	2					BUSHING, Sway Bar
8	5203 7710	2					RETAINER, Sway Bar
9	6102 037AA	4					SCREW AND WASHER, Hex Head, M10x1.50x35

JEEP WRANGLER (TJ)

SERIES	LINE	BODY	ENGINE	TRANSMISSION
L=Low Line	J = Wrangler 4WD U = Wrangler 4WD (RHD)	77 = 93.4 WB	EPE, EP0 = 2.5L Power Tech ERH, ER0 = 4.0L Power Tech	DGG, DGD = 32RH 3 Spd. Auto. DDQ = 5 Spd. Manual DG0 = All Auto. Trans. DBB =All Manual Trans.

Bar,Front Stabilizer 1998 TJ
Figure 002-120



ITEM	PART NUMBER	QTY	LINE	BODY	ENGINE	TRANS	DESCRIPTION
1	5208 7824	1					STABILIZER BAR, Front Suspension
2	6502 979	2					NUT AND WASHER, Hex, M10x1.5
3	6502 697	2					NUT, Hex Flange Lock, M12x1.75
4							WASHER, ID 13.07 OD 40.00 THK 3.50 , (NOT SERVICED)
5	5208 7771	2					LINK, Sway Eliminator
6	6505 465AA	2					SCREW, Truss Head, M12x1.75x70
7	5208 8378	2					BUSHING, Sway Bar
8	5203 7710	2					RETAINER, Sway Bar
9	6102 037AA	4					SCREW AND WASHER, Hex Head, M10x1.50x35

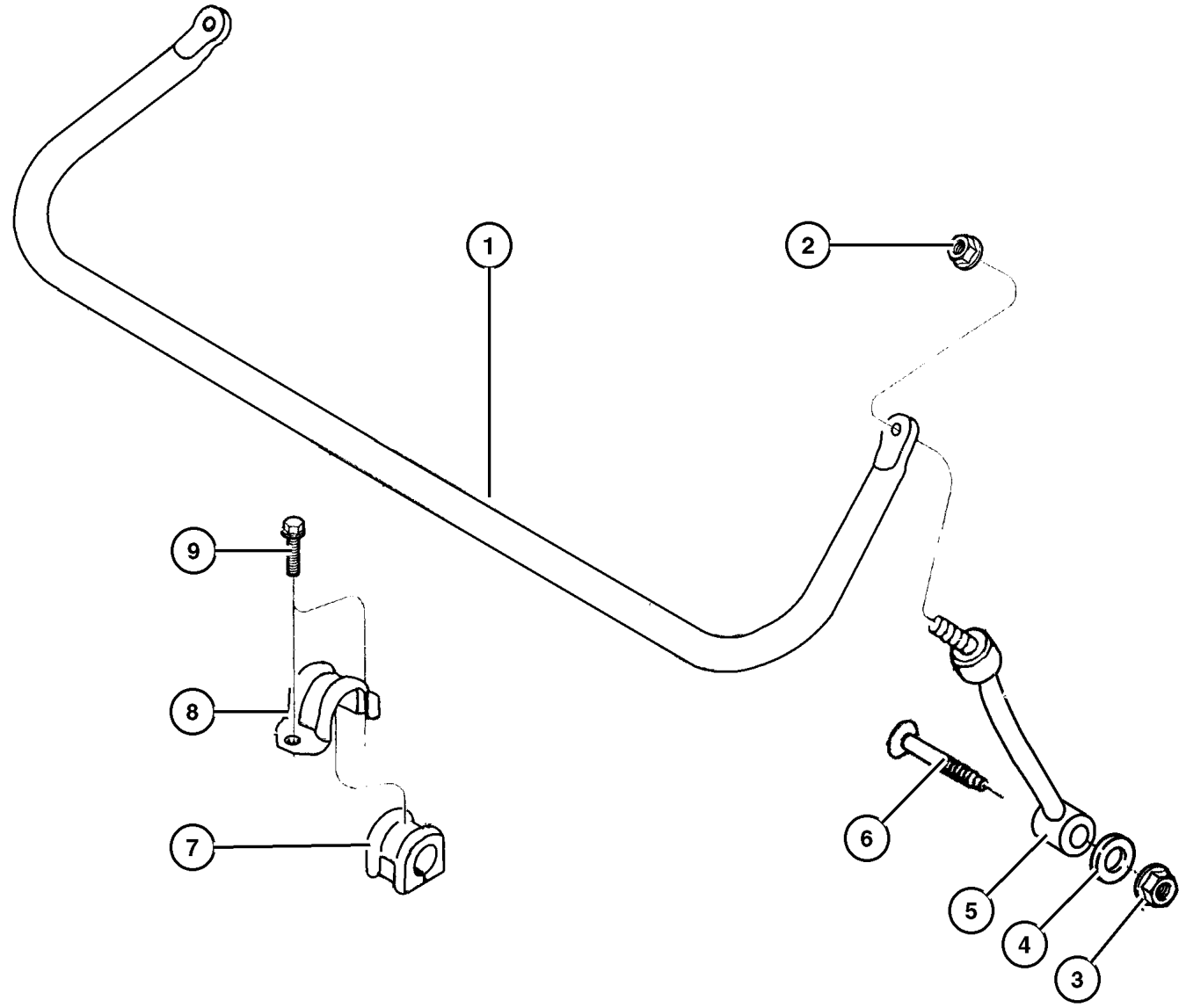
JEEP WRANGLER (TJ)

SERIES	LINE	BODY	ENGINE	TRANSMISSION
L=Low Line	J = Wrangler 4WD U = Wrangler 4WD (RHD)	77 = 93.4 WB	EPE, EP0 = 2.5L Power Tech ERH, ER0 = 4.0L Power Tech	DGG, DGD = 32RH 3 Spd. Auto. DDQ = 5 Spd. Manual DG0 = All Auto. Trans. DBB =All Manual Trans.

AR = Use as required - = Non illustrated part # = New this model year

June 7, 2002

Bar,Front Stabilizer 1999 TJ
Figure 002-120



ITEM	PART NUMBER	QTY	LINE	BODY	ENGINE	TRANS	DESCRIPTION
1	5208 7824	1					STABILIZER BAR, Front Suspension
2	6502 979	2					NUT AND WASHER, Hex, M10x1.5
3	6502 697	2					NUT, Hex Flange Lock, M12x1.75
4							WASHER, ID 13.07 OD 40.00 THK 3.50 , (NOT SERVICED)
5	#52087 771AB	2					LINK, Sway Eliminator
6	6505 465AA	2					SCREW, Truss Head, M12x1.75x70
7	5208 8378	2					BUSHING, Sway Bar
8	5203 7710	2					RETAINER, Sway Bar
9	6102 037AA	4					SCREW AND WASHER, Hex Head, M10x1.50x35

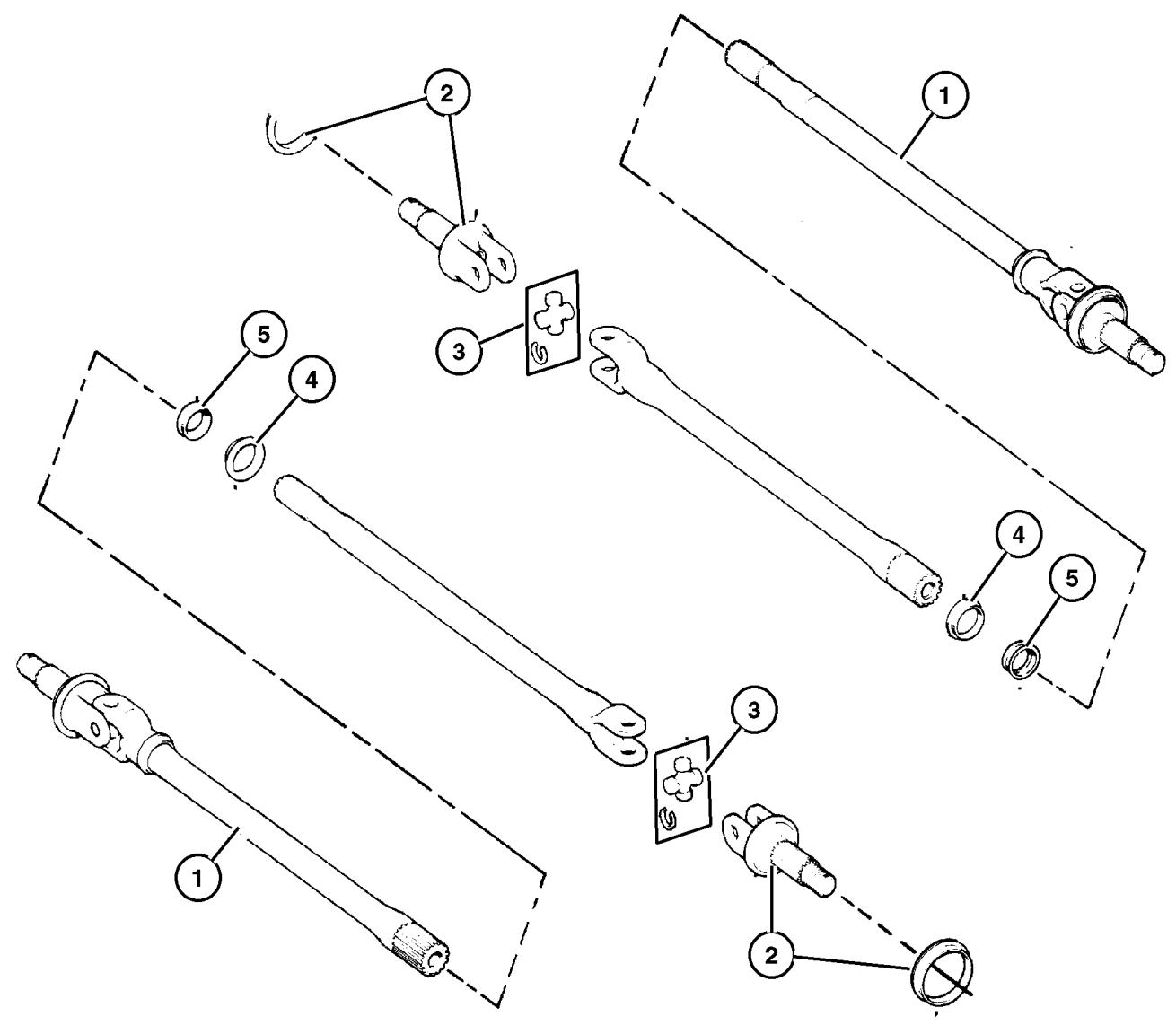
JEEP WRANGLER (TJ)				
SERIES	LINE	BODY	ENGINE	TRANSMISSION
L=Low Line	J = Wrangler 4WD U = Wrangler 4WD (RHD)	77 = 93.4 WB	EPE, EP0 = 2.5L Power Tech ERH, ER0 = 4.0L Power Tech	DGG, DGD = 32RH 3 Spd. Auto. DDQ = 5 Spd. Manual DG0 = All Auto. Trans. DBB =All Manual Trans.

AR = Use as required - = Non illustrated part # = New this model year

June 7, 2002

Shafts,Front Axle 1997 TJ
Figure 002-210

ITEM	PART NUMBER	QTY	LINE	BODY	ENGINE	TRANS	DESCRIPTION
Note:Sales Codes;							
[BGA]=Brakes - Power Front Disc/Rear Drum							
[BGK]=Brakes - 4-Wheel Anti-lock							
1							SHAFT, Axle
	4874 302	1	J				[BGA], Right
	4874 303	1	J				[BGA], Left
	4874 306	1	J				[BGK], Right
	4874 307	1	J				[BGK], Left
	4874 302	1	U				[BGA], Right
	4874 303	1	U				[BGA], Left
2							SHAFT, Axle
	8350 0184	1	J				[BGA], Right or Left
	4728 984	1	J				[BGK], Right or Left
	8350 0184	2	U				[BGA], Right or Left
3							U JOINT, Front Axle
	4137 757	2	J				Right or Left
		2	U				Right or Left
4							SLINGER, Oil
	4882 135	2	J				Right or Left
		2	U				Right or Left
5							SEAL, Axle Drive Shaft
	J812 1781	2	J				Right or Left
		2	U				Right or Left
-6							SNAP RING, Front Axle Shaft
	4137 739	1	J				
		1	U				



JEEP WRANGLER (TJ)

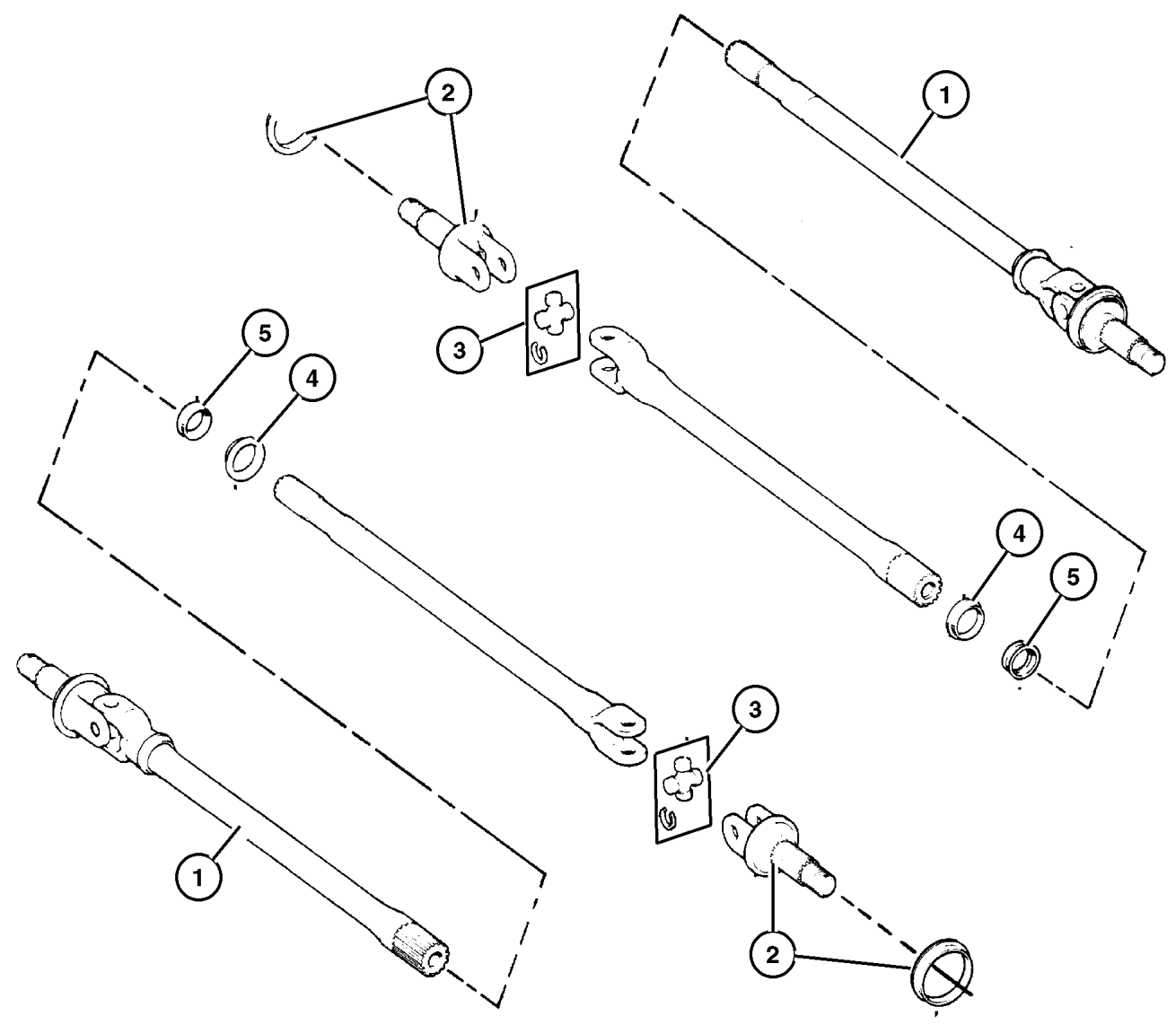
SERIES	LINE	BODY	ENGINE	TRANSMISSION
L=Low Line	J = Wrangler 4WD U = Wrangler 4WD (RHD)	77 = 93.4 WB	EPE, EP0 = 2.5L Power Tech ERH, ER0 = 4.0L Power Tech	DGG, DGD = 32RH 3 Spd. Auto. DDQ = 5 Spd. Manual DG0 = All Auto. Trans. DBB =All Manual Trans.

AR = Use as required - = Non illustrated part # = New this model year

June 7, 2002

Shafts,Front Axle 1998 TJ
Figure 002-210

ITEM	PART NUMBER	QTY	LINE	BODY	ENGINE	TRANS	DESCRIPTION
Note:Sales Codes;							
[BGA]=Brakes - Power Front Disc/Rear Drum							
[BGK]=Brakes - 4-Wheel Anti-lock							
1							SHAFT, Axle
	4874 302	1	J				[BGA], Right
	4874 303	1	J				[BGA], Left
	4874 306	1	J				[BGK], Right
	4874 307	1	J				[BGK], Left
	4874 302	1	U				[BGA], Right
	4874 303	1	U				[BGA], Left
2							SHAFT, Axle
	8350 0184	2	J				[BGA], Right or Left
	4728 984	2	J				[BGK], Right or Left
	8350 0184	2	U				[BGA], Right or Left
3							U JOINT, Front Axle
	4137 757	2	J				Right or Left
		2	U				Right or Left
4							SLINGER, Oil
	4882 135	2	J				Right or Left
		2	U				Right or Left
5							SEAL, Axle Drive Shaft
	J812 1781	2	J				Right or Left
		2	U				Right or Left
-6							SNAP RING, Front Axle Shaft
	4137 739	2	J				Right or Left
		2	U				Right or Left



JEEP WRANGLER (TJ)

SERIES	LINE	BODY	ENGINE	TRANSMISSION
L=Low Line	J = Wrangler 4WD U = Wrangler 4WD (RHD)	77 = 93.4 WB	EPE, EP0 = 2.5L Power Tech ERH, ER0 = 4.0L Power Tech	DGG, DGD = 32RH 3 Spd. Auto. DDQ = 5 Spd. Manual DG0 = All Auto. Trans. DBB =All Manual Trans.

AR = Use as required - = Non illustrated part # = New this model year

June 7, 2002

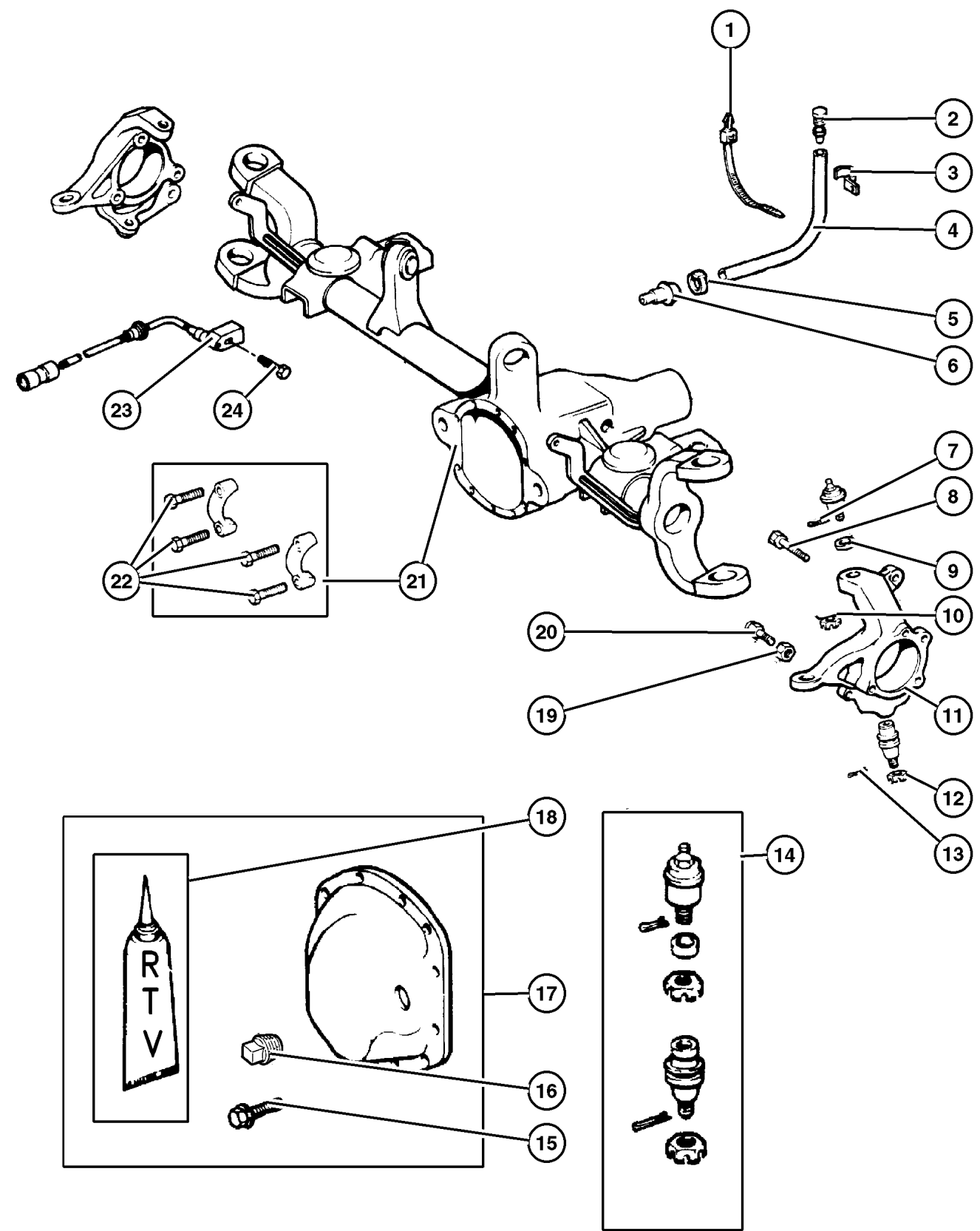
Housing,Front Axle 1997 TJ
Figure 002-310

ITEM	PART NUMBER	QTY	LINE	BODY	ENGINE	TRANS	DESCRIPTION
Note:Sales Codes;							
[EP0]=Engines - All 2.5L 4 Cylinder Gas							
[ER0]=Engines - All 4.0L 6 Cylinder Gas							
1	3420 1788	2					STRAP, Tie
2	J535 2955	1					VENT, Axle, Upper
3	J014 0780	1					CLIP, Wrap Around
4	HFV0 0516	1					HOSE, Fuel And Vapor, 25 Foot Roll 5/16"
5	6503 573	1					CLIP
6							VENT, Axle
	8350 4653	1	J				
		1	U				
7							PIN, Cotter, M4x40.00
	1101 0069	6	J				
		6	U				
8							BOLT
	3420 1535	6	J				
		6	U				
9							RING, Ball Joint
	8350 0203	2	J				
		2	U				
10							NUT, Hex Slotted
	J012 5258	2	J				
		2	U				
11							KNUCKLE, Front
	5206 7576	1	J				Right
	5206 7577	1	J				Left
	5206 7576	1	U				Right
	5206 7577	1	U				Left
12							NUT
	J812 3318	2	J				
		2	U				
13							PIN, Cotter, M4x40.00
	1101 0069	6	J				
		6	U				
14							BALL JOINT KIT, Knuckle
	8350 0202	2	J				
		2	U				
15							BOLT, Differential Cover
	2954 031	10	J				
		10	U				
16							PLUG, Differential Cover
	J400 4751	1	J				
		1	U				
17							COVER, Differential

JEEP WRANGLER (TJ)
 SERIES LINE BODY ENGINE TRANSMISSION
 L=Low Line J = Wrangler 4WD 77 = 93.4 WB EPE, EP0 = 2.5L Power Tech DGG, DGD = 32RH 3 Spd. Auto.
 U = Wrangler 4WD (RHD) ERH, ER0 = 4.0L Power Tech DDQ = 5 Spd. Manual
 DG0 = All Auto. Trans.
 DBB =All Manual Trans.

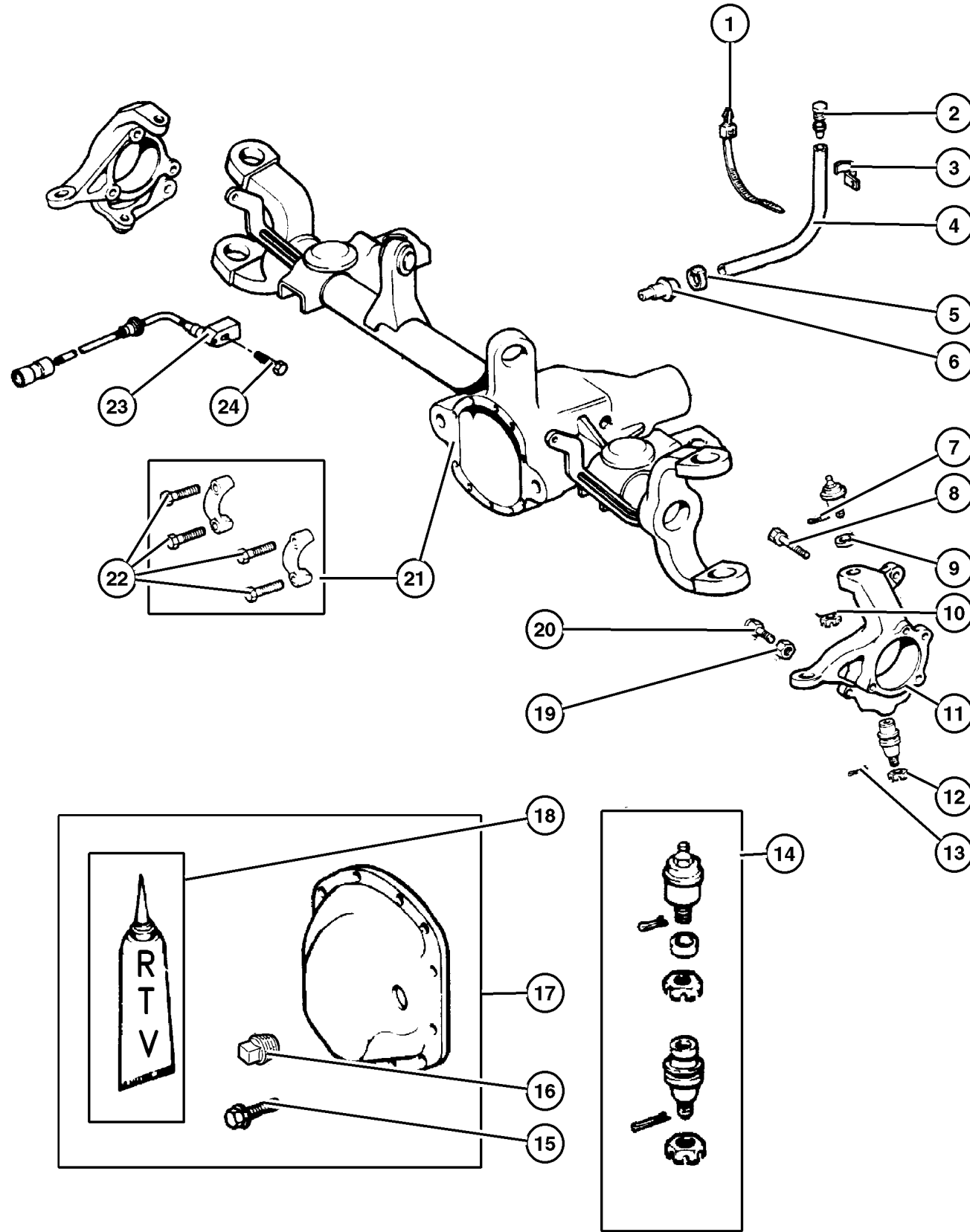
AR = Use as required - = Non illustrated part # = New this model year

June 7, 2002



Housing,Front Axle 1997 TJ
Figure 002-310

ITEM	PART NUMBER	QTY	LINE	BODY	ENGINE	TRANS	DESCRIPTION
	4713 451	1	J				
18	5010 884AA	1	U				SEALANT, RTV
		1			ER0		
		1			EP0	DDQ	
19	S011 4494	1			EP0	DG0	NUT, Steering Knuckle
		2	J				
		2	U				
20	1791 701	2	J				BOLT, Steering Knuckle Stop
		2	U				
21							HOUSING, Axle
	4864 840	1	J				
	4864 904	1	U				
22	8350 1515	4	J				BOLT, Differential
		4	U				
23	5602 7727	2	J				SENSOR, Anti-Lock Brakes
24	8350 4920	2	J				BOLT



JEEP WRANGLER (TJ)

SERIES	LINE	BODY	ENGINE	TRANSMISSION
L=Low Line	J = Wrangler 4WD U = Wrangler 4WD (RHD)	77 = 93.4 WB	EPE, EP0 = 2.5L Power Tech ERH, ER0 = 4.0L Power Tech	DGG, DGD = 32RH 3 Spd. Auto. DDQ = 5 Spd. Manual DG0 = All Auto. Trans. DBB =All Manual Trans.

AR = Use as required - = Non illustrated part # = New this model year

June 7, 2002

Housing, Front Axle 1998 TJ Figure 002-310

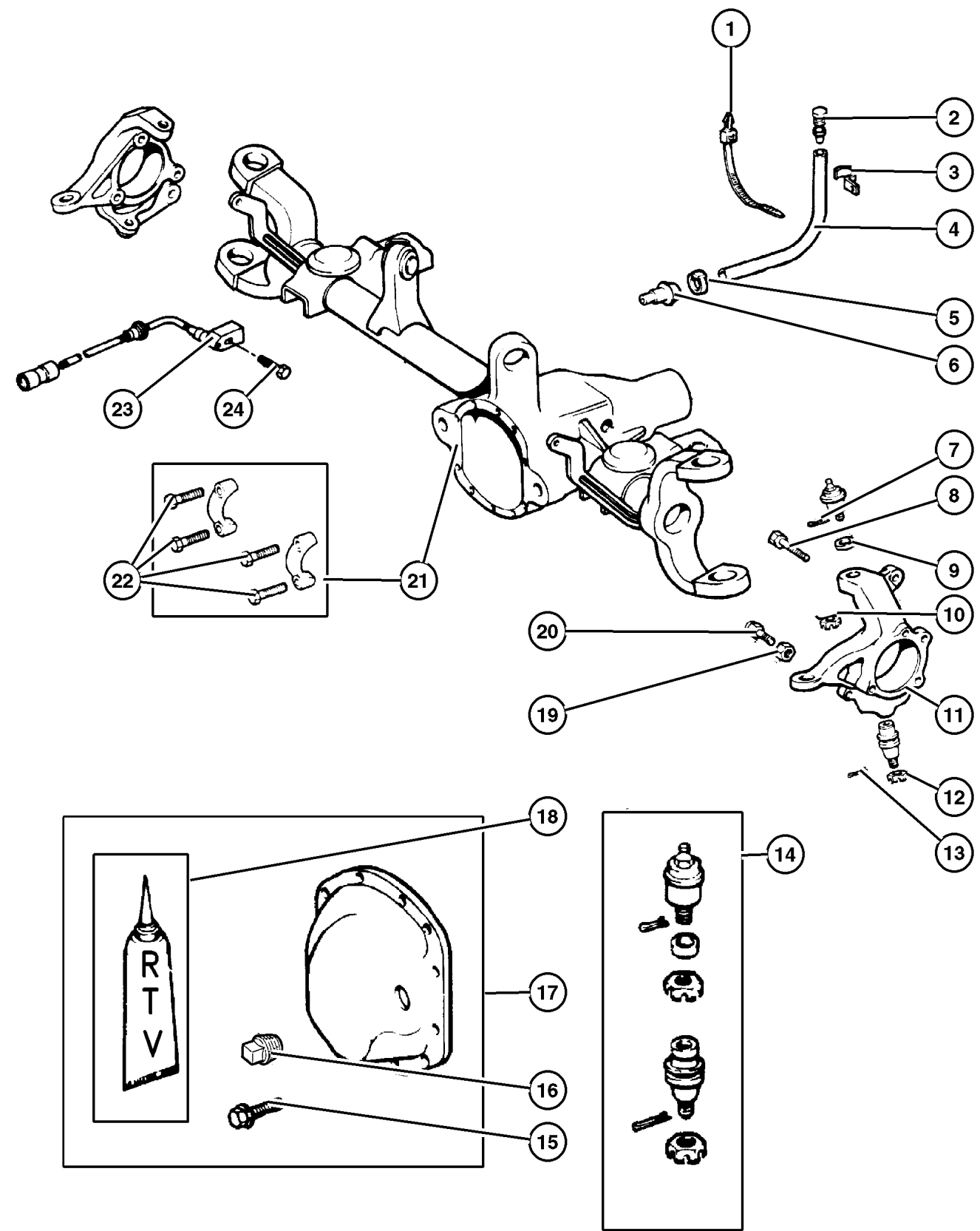
ITEM	PART NUMBER	QTY	LINE	BODY	ENGINE	TRANS	DESCRIPTION
Note: Sales Codes;							
[EP0]=Engines - All 2.5L 4 Cylinder Gas							
[ER0]=Engines - All 4.0L 6 Cylinder Gas							
1	3420 1788	2					STRAP, Tie
2	J535 2955	1					VENT, Axle, Upper
3	J014 0780	1					CLIP, Wrap Around
4	HFV0 0516						HOSE, Fuel And Vapor, 25 Foot Roll 5/16"
5	6503 573	1					CLIP
6							VENT, Axle
	8350 4653	1	J				
		1	U				
7							PIN, Cotter, M4x40.00
	1101 0069	1	J				
		1	U				
8							BOLT
	3420 1535	6	J				
		6	U				
9							RING, Ball Joint
	8350 0203	2	J				
		2	U				
10							NUT, Hex Slotted
	J012 5258	2	J				
		2	U				
11							KNUCKLE, Front
	5206 7576	1	J				Right
	5206 7577	1	J				Left
	5206 7576	1	U				Right
	5206 7577	1	U				Left
12							NUT
	J812 3318	2	J				
		2	U				
13							PIN, Cotter, M4x40.00
	1101 0069	2	J				
		2	U				
14							BALL JOINT KIT, Knuckle
	8350 0202	1	J				
		1	U				
15							BOLT, Differential Cover
	2954 031	10	J				
		10	U				
16							PLUG, Differential Cover
	J400 4751	1	J				
		1	U				
17							COVER, Differential

JEEP WRANGLER (TJ)

SERIES	LINE	BODY	ENGINE	TRANSMISSION
L=Low Line	J = Wrangler 4WD U = Wrangler 4WD (RHD)	77 = 93.4 WB	EPE, EP0 = 2.5L Power Tech ERH, ER0 = 4.0L Power Tech	DGG, DGD = 32RH 3 Spd. Auto. DDQ = 5 Spd. Manual DG0 = All Auto. Trans. DBB = All Manual Trans.

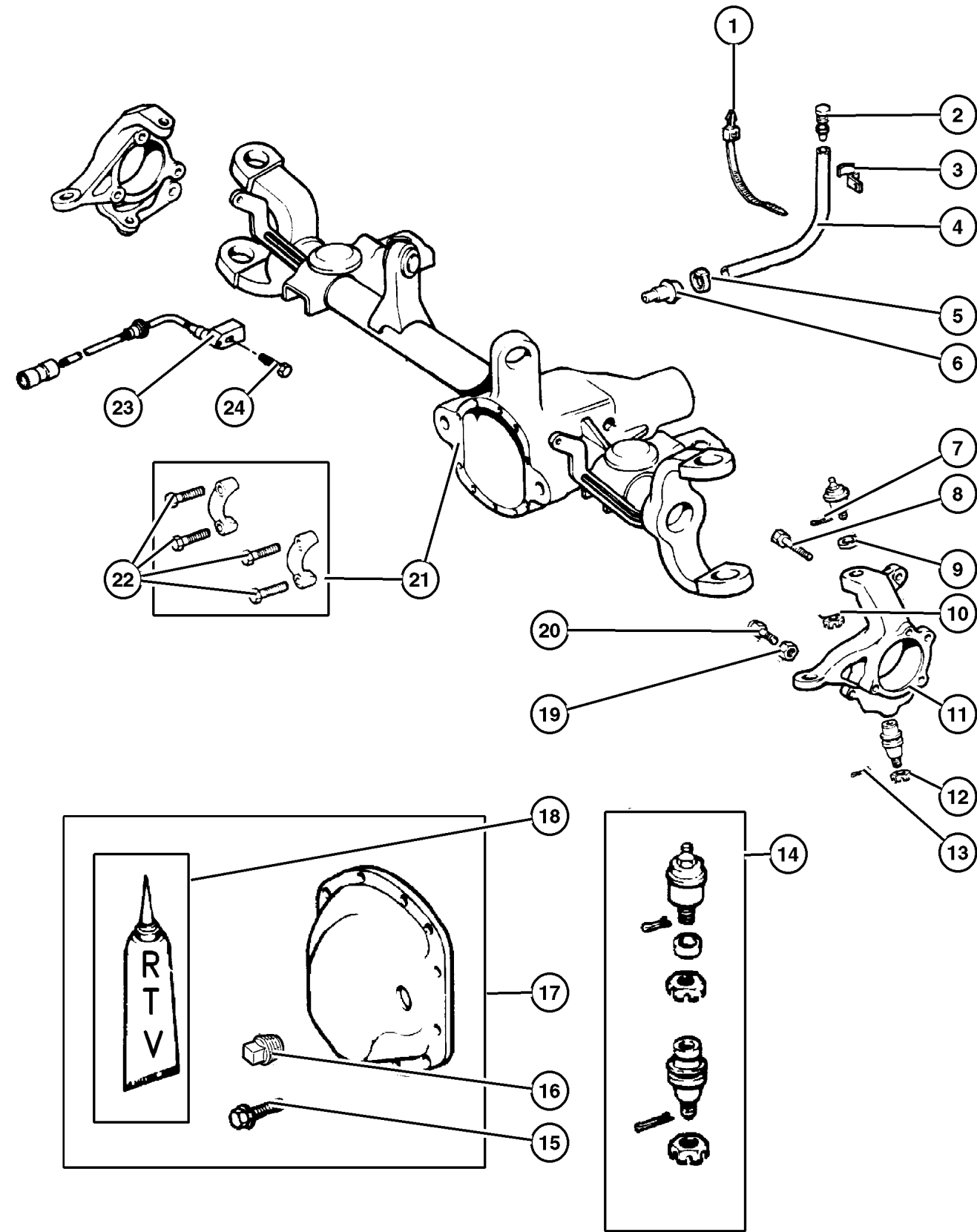
AR = Use as required - = Non illustrated part # = New this model year

June 7, 2002



Housing,Front Axle 1998 TJ
Figure 002-310

ITEM	PART NUMBER	QTY	LINE	BODY	ENGINE	TRANS	DESCRIPTION
	4713 451	1	J				
18	5010 884AA	1	U				SEALANT, RTV
		1			ER0		
		1			EP0	DDQ	
19	S011 4494	1			EP0	DG0	NUT, Steering Knuckle
		2	J				
		2	U				
20	1791 701	2	J				BOLT, Steering Knuckle Stop
		2	U				
21							HOUSING, Axle
	4864 840	1	J				
	4864 904	1	U				
22	4897 482AB	4	J				BOLT, Differential
		4	U				
23	5602 7727	2	J				SENSOR, Anti-Lock Brakes
24	8350 4920	2	J				BOLT



JEEP WRANGLER (TJ)

SERIES	LINE	BODY	ENGINE	TRANSMISSION
L=Low Line	J = Wrangler 4WD U = Wrangler 4WD (RHD)	77 = 93.4 WB	EPE, EP0 = 2.5L Power Tech ERH, ER0 = 4.0L Power Tech	DGG, DGD = 32RH 3 Spd. Auto. DDQ = 5 Spd. Manual DG0 = All Auto. Trans. DBB =All Manual Trans.

AR = Use as required - = Non illustrated part # = New this model year

June 7, 2002

Housing,Front Axle 1999 TJ
Figure 002-310

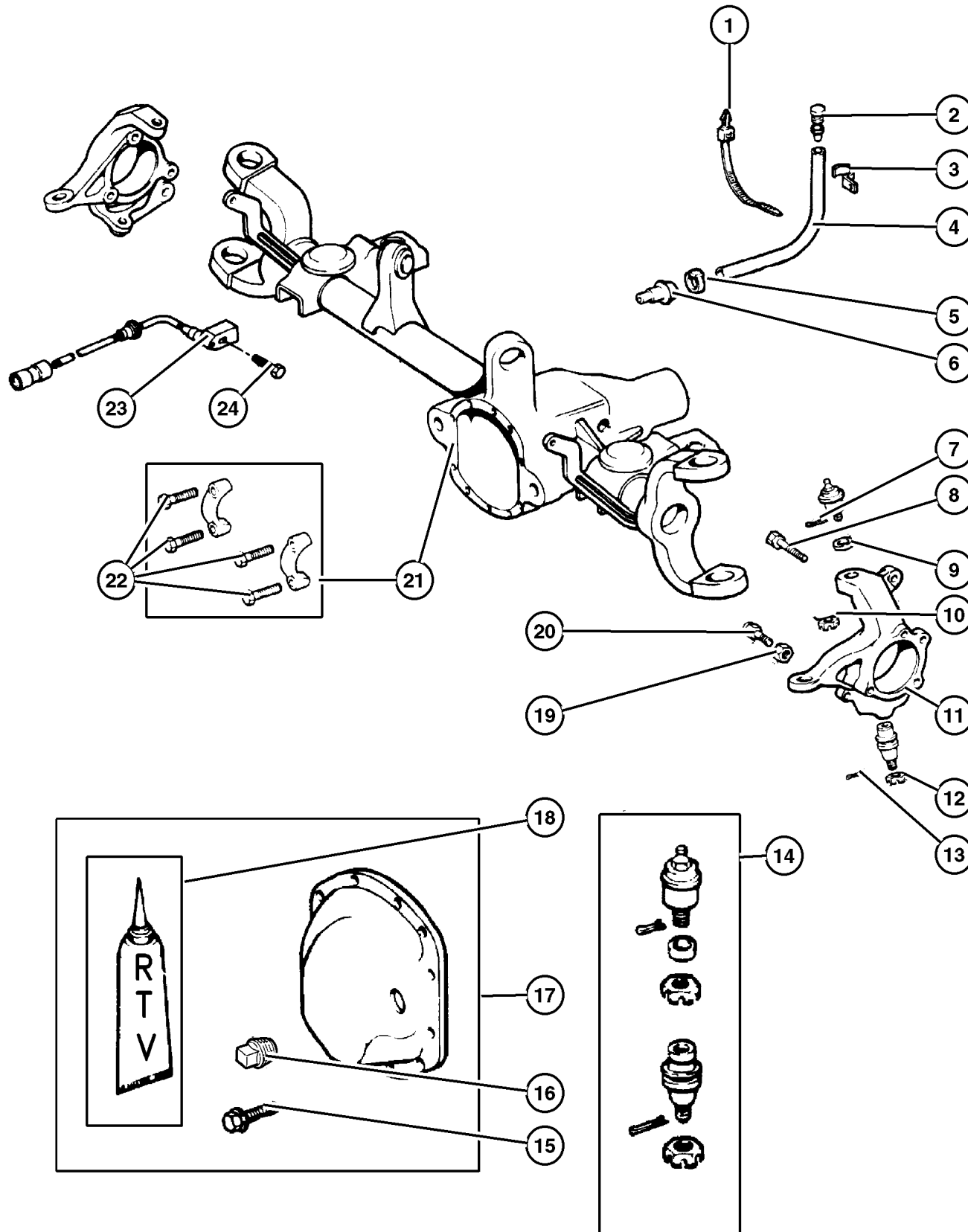
ITEM	PART NUMBER	QTY	LINE	BODY	ENGINE	TRANS	DESCRIPTION
Note:Sales Codes defined below;							
ER0=Engines - All 4.0L 6 Cylinder Gas							
J=Left Hand Drive							
U=Right Hand Drive							
1	J417 5376	1					STRAP, Tie
2	J535 2955	1					VENT, Axle, Upper
3	J014 0780	1					CLIP, Wrap Around
4	HFV0 0516	1					HOSE, Fuel And Vapor, 25 Foot Roll 5/16"
5	6503 573	1					CLIP
6							VENT, Axle
	8350 4653	1	J				
		1	U				
7							PIN, Cotter, M4x40.00
	1101 0069	1	J				
		1	U				
8							BOLT
	3420 1535	6	J				
		6	U				
9							RING, Ball Joint
	8350 0203	2	J				
		2	U				
10							NUT, Hex Slotted
	J012 5258	2	J				
		2	U				
11							KNUCKLE, Front
	5206 7576	1	J				Right
	5206 7577	1	J				Left
	5206 7576	1	U				Right
	5206 7577	1	U				Left
12							NUT
	J812 3318	2	J				
		2	U				
13							PIN, Cotter, M4x40.00
	1101 0069	6	J				
		6	U				
14							BALL JOINT KIT, Knuckle
	8350 0202	1	J				
		1	U				
15							BOLT, Differential Cover
	2954 031	10	J				
		10	U				
16							PLUG, Differential Cover
	J400 4751	1	J				

JEEP WRANGLER (TJ)

SERIES	LINE	BODY	ENGINE	TRANSMISSION
L=Low Line	J = Wrangler 4WD U = Wrangler 4WD (RHD)	77 = 93.4 WB	EPE, EP0 = 2.5L Power Tech ERH, ER0 = 4.0L Power Tech	DGG, DGD = 32RH 3 Spd. Auto. DDQ = 5 Spd. Manual DG0 = All Auto. Trans. DBB =All Manual Trans.

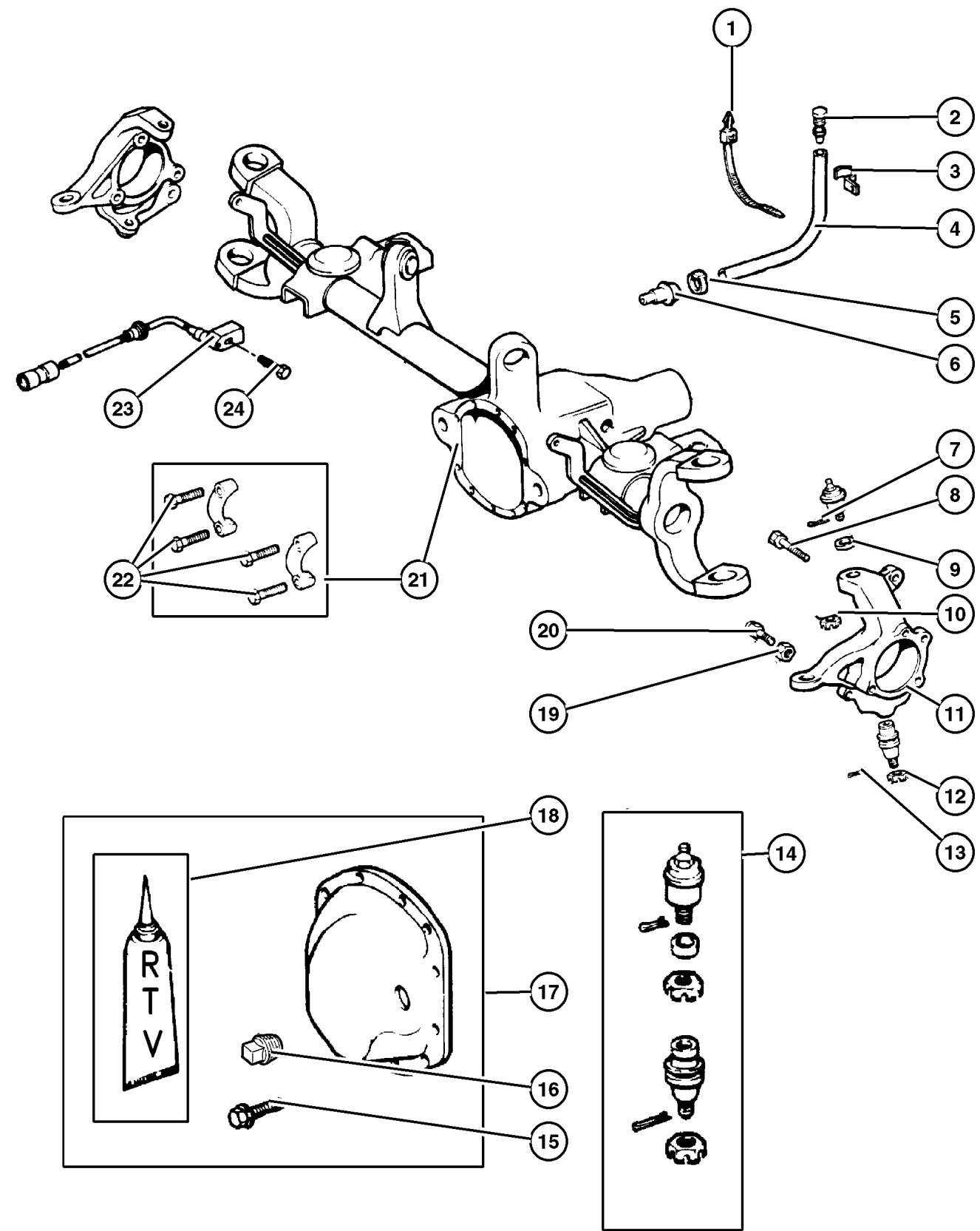
AR = Use as required - = Non illustrated part # = New this model year

June 7, 2002



Housing,Front Axle 1999 TJ
Figure 002-310

ITEM	PART NUMBER	QTY	LINE	BODY	ENGINE	TRANS	DESCRIPTION
		1	U				
17	4713 451	1	J				COVER, Differential
		1	U				
18	5010 884AA	1			ER0	DBB	SEALANT, RTV
19	S011 4494	2	J				NUT, Steering Knuckle
		2	U				
20							BOLT, Steering Knuckle Stop
	1791 701	2	J				
		2	U				
21	4864 840	1	J				HOUSING, Axle
	4864 904	1	U				
22	4897 482AB	4	J				BOLT, Differential
		4	U				
23	5602 7727	2	J				SENSOR, Anti-Lock Brakes
24	8350 4920	2	J				BOLT



JEEP WRANGLER (TJ)
 SERIES LINE BODY ENGINE TRANSMISSION
 L=Low Line J = Wrangler 4WD 77 = 93.4 WB EPE, EP0 = 2.5L Power Tech DGG, DGD = 32RH 3 Spd. Auto.
 U = Wrangler 4WD (RHD) ERH, ER0 = 4.0L Power Tech DDQ = 5 Spd. Manual
 DG0 = All Auto. Trans.
 DBB =All Manual Trans.

AR = Use as required - = Non illustrated part # = New this model year

June 7, 2002

**Axle Assembly,Front 1997 TJ
Figure 002-410**

ITEM	PART NUMBER	QTY	LINE	BODY	ENGINE	TRANS	DESCRIPTION
------	-------------	-----	------	------	--------	-------	-------------

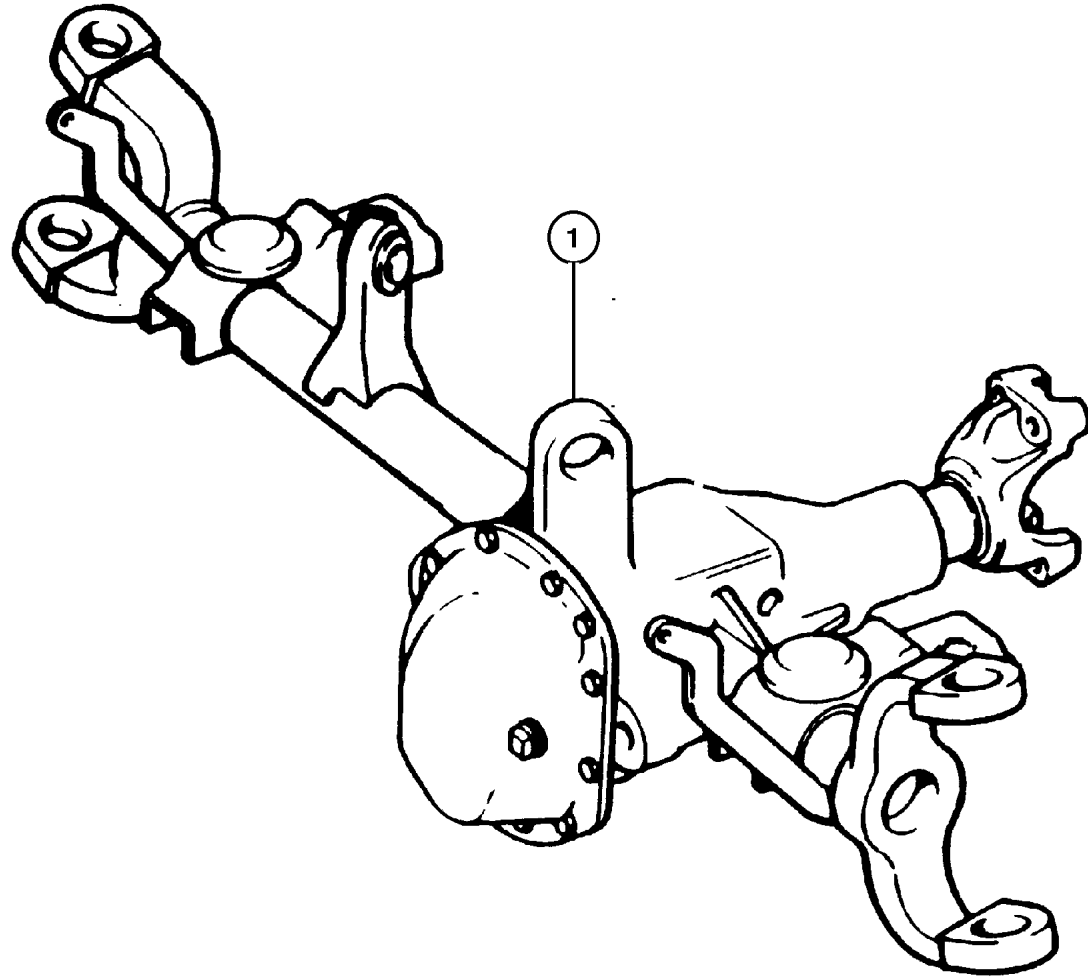
Note:Sales Codes;

[DME]=Axle Ratio - 3.73

[DMF]=Axle Ratio - 4.10

[DMM]=Axle Ratio - 3.07

1	AXLE, Service Front						
4864 905	1	J					[DMD] with Tag 52099435,52099451
4864 841	1	J					[DME] with Tag 52099248
4864 910	1	J					[DMF] with Tag 52099439
4864 852	1	J					[DMM] with Tag 52099440,52099453
4882 337	1	U					[DME] with Tag 52099450
4882 155	1	U					[DMM] with Tag 52099454



JEEP WRANGLER (TJ)

SERIES	LINE	BODY	ENGINE	TRANSMISSION
L=Low Line	J = Wrangler 4WD U = Wrangler 4WD (RHD)	77 = 93.4 WB	EPE, EP0 = 2.5L Power Tech ERH, ER0 = 4.0L Power Tech	DGG, DGD = 32RH 3 Spd. Auto. DDQ = 5 Spd. Manual DG0 = All Auto. Trans. DBB =All Manual Trans.

AR = Use as required - = Non illustrated part # = New this model year

June 7, 2002

Axle Assembly, Front 1998 TJ
Figure 002-410

ITEM	PART NUMBER	QTY	LINE	BODY	ENGINE	TRANS	DESCRIPTION
------	-------------	-----	------	------	--------	-------	-------------

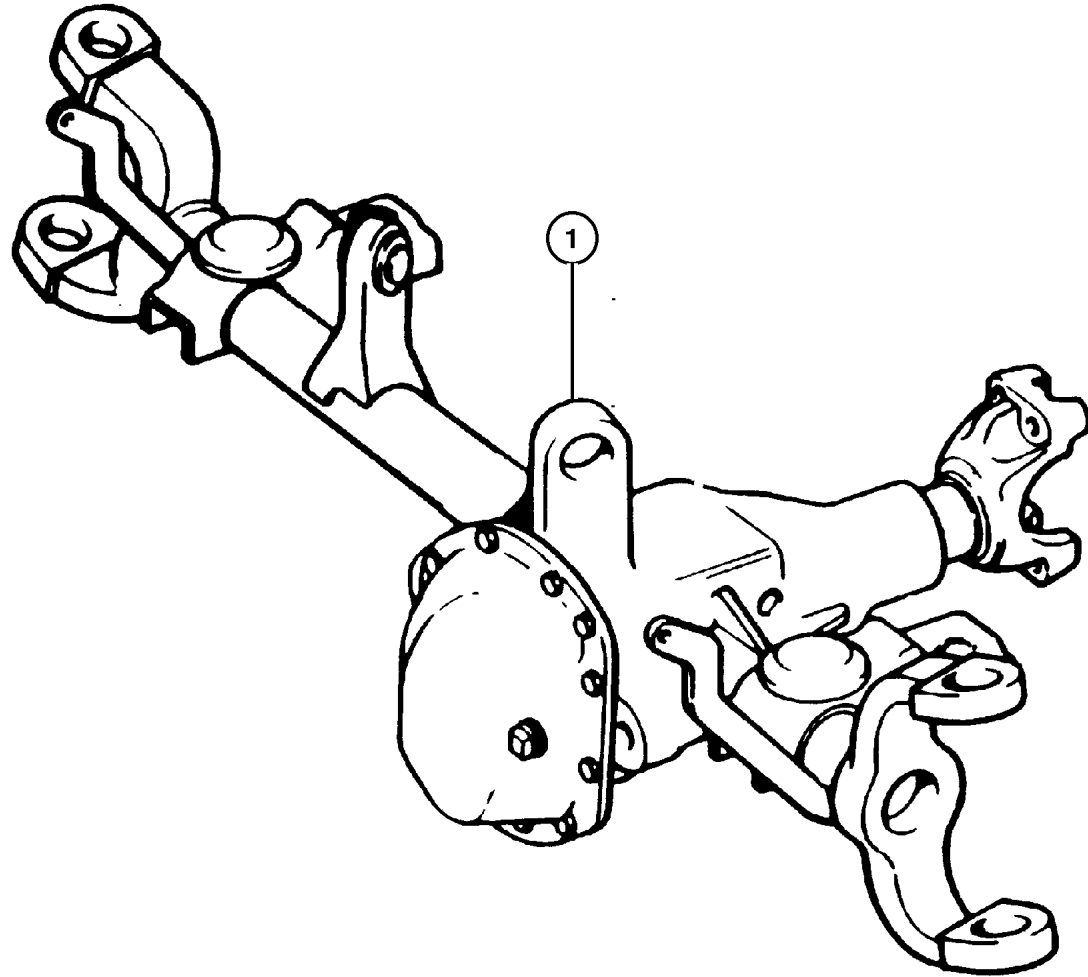
Note: Sales Codes;

[DME]=Axle Ratio - 3.73

[DMF]=Axle Ratio - 4.10

[DMM]=Axle Ratio - 3.07

1							AXLE, Service Front
	4864 841	1	J				[DME] with Tag# 52099200AB,52111033AA
	4864 910	1	J				[DMF] with Tag# 52099226AB
	4864 852	1	J				[DMM] with Tag# 52099198AB,52099227AB
	4882 337	1	U				[DME] with Tag# 52099450AC
	4882 155	1	U				[DMM] with Tag# 52099454AC



JEEP WRANGLER (TJ)

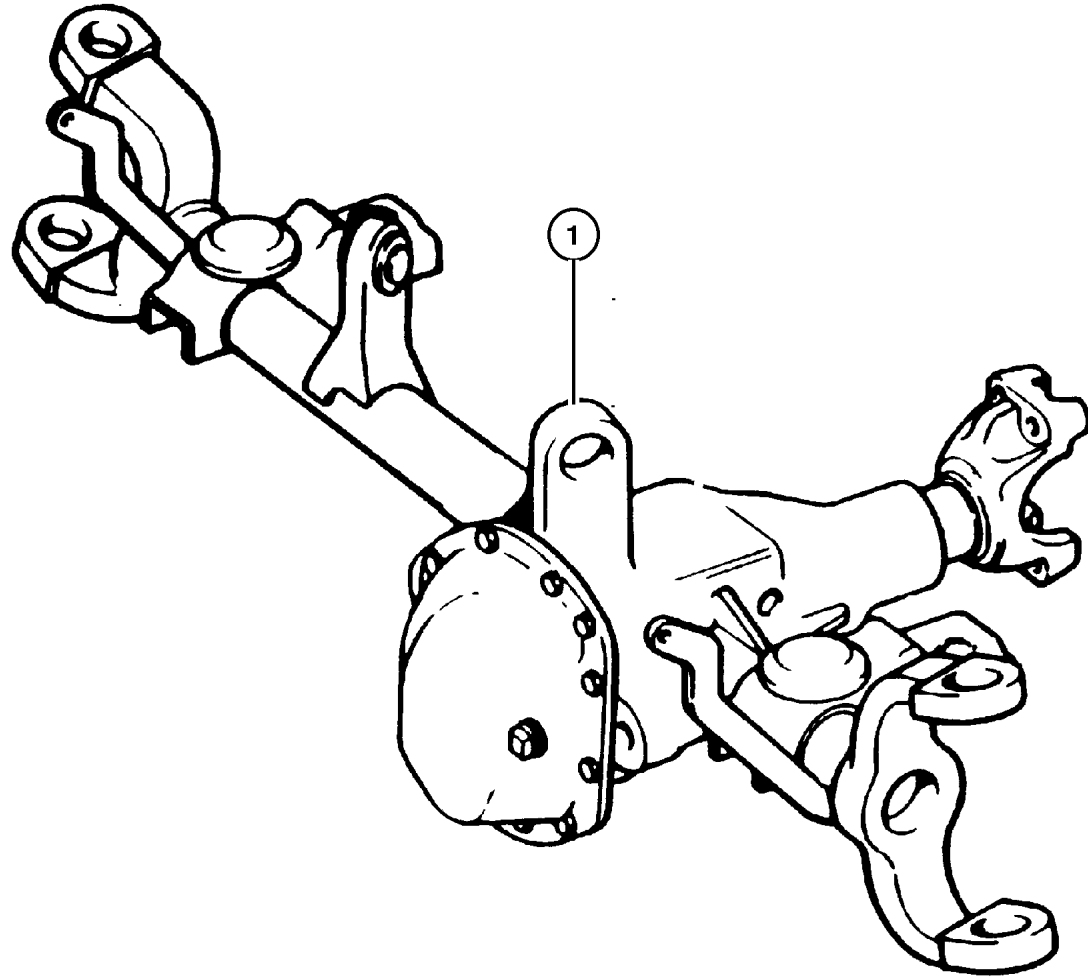
SERIES	LINE	BODY	ENGINE	TRANSMISSION
L=Low Line	J = Wrangler 4WD U = Wrangler 4WD (RHD)	77 = 93.4 WB	EPE, EP0 = 2.5L Power Tech ERH, ER0 = 4.0L Power Tech	DGG, DGD = 32RH 3 Spd. Auto. DDQ = 5 Spd. Manual DG0 = All Auto. Trans. DBB =All Manual Trans.

AR = Use as required - = Non illustrated part # = New this model year

June 7, 2002

Axle Assembly, Front 1999 TJ
Figure 002-410

ITEM	PART NUMBER	QTY	LINE	BODY	ENGINE	TRANS	DESCRIPTION
1							AXLE, Service Front
	4864 841	1	J				[DME] with Tag# 52099200AB,52111033AB
	4864 910	1	J				[DMF] with Tag# 52099226AB
	4864 852	1	J				[DMM] with Tag# 52099198AB,52099227AB
	4882 337	1	U				[DME] with Tag# 52099450AC
	4882 155	1	U				[DMM] with Tag# 52099454AC

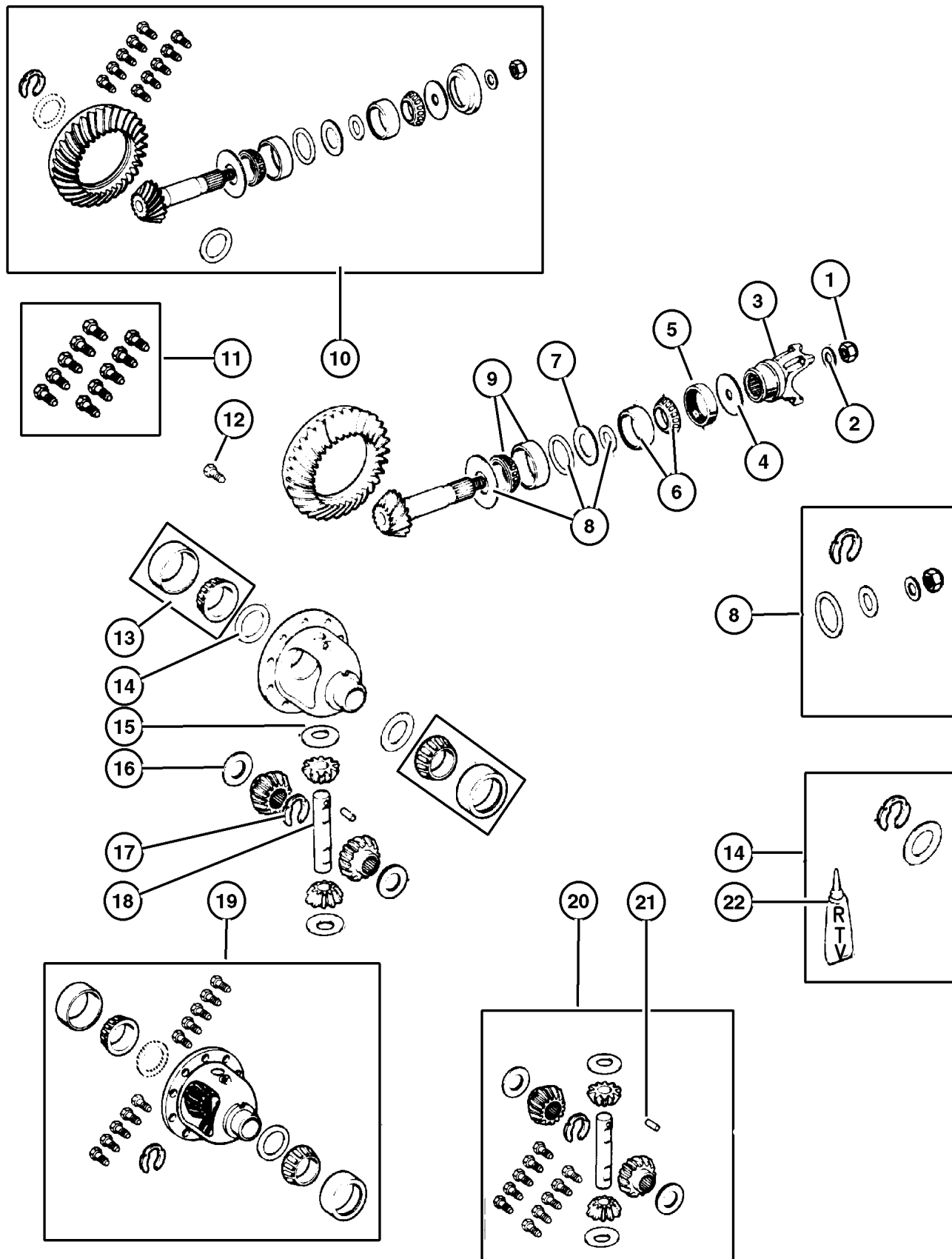


JEEP WRANGLER (TJ)				
SERIES	LINE	BODY	ENGINE	TRANSMISSION
L=Low Line	J = Wrangler 4WD U = Wrangler 4WD (RHD)	77 = 93.4 WB	EPE, EP0 = 2.5L Power Tech ERH, ER0 = 4.0L Power Tech	DGG, DGD = 32RH 3 Spd. Auto. DDQ = 5 Spd. Manual DG0 = All Auto. Trans. DBB =All Manual Trans.

AR = Use as required - = Non illustrated part # = New this model year

June 7, 2002

Differential,Front Axle 1997 TJ
Figure 002-610



ITEM	PART NUMBER	QTY	LINE	BODY	ENGINE	TRANS	DESCRIPTION
Note: Sales Codes;							
[DMD]=Axle Ratio - 3.55							
[DME]=Axle Ratio - 3.73							
[DMF]=Axle Ratio - 4.10							
[DMM]=Axle Ratio - 3.07							
1							NUT, Pinion Yoke
	1791 575	1	J				
		1	U				
2							WASHER, Pinion Yoke
	1791 576	1	J				
		1	U				
3							YOKE, Axle
	8350 3388	1	J				
		1	U				
4							SLINGER, Drive Pinion
	J063 6566	1	J				
		1	U				
5							SEAL, Drive Pinion
	4746 772	1	J				
		1	U				
6							BEARING, Drive Pinion
	5252 508	1	J				Bearing and Cup, Front
		1	U				Bearing and Cup, Front
7							SPACER
	4864 845	1	J				Crush
		1	U				Crush
8							SHIM KIT, Pinion Shaft
	4720 862	1	J				
		1	U				
9							BEARING, Drive Pinion
	J812 6499	1	J				Bearing and Cup, Rear
		1	U				Bearing and Cup, Rear
10							GEAR KIT, Ring And Pinion
	4864 853	1	J				[DMM]
	4864 906	1	J				[DMD]
	4864 843	1	J				[DME]
	4864 913	1	J				[DMF]
	4864 853	1	U				[DMM]
	4864 843	1	U				[DME]
11							BOLT KIT
	4720 891	1	J				Consists of 10 5252503 Screws
		1	U				Consists of 10 5252503 Screws
12							SCREW, Drive Gear

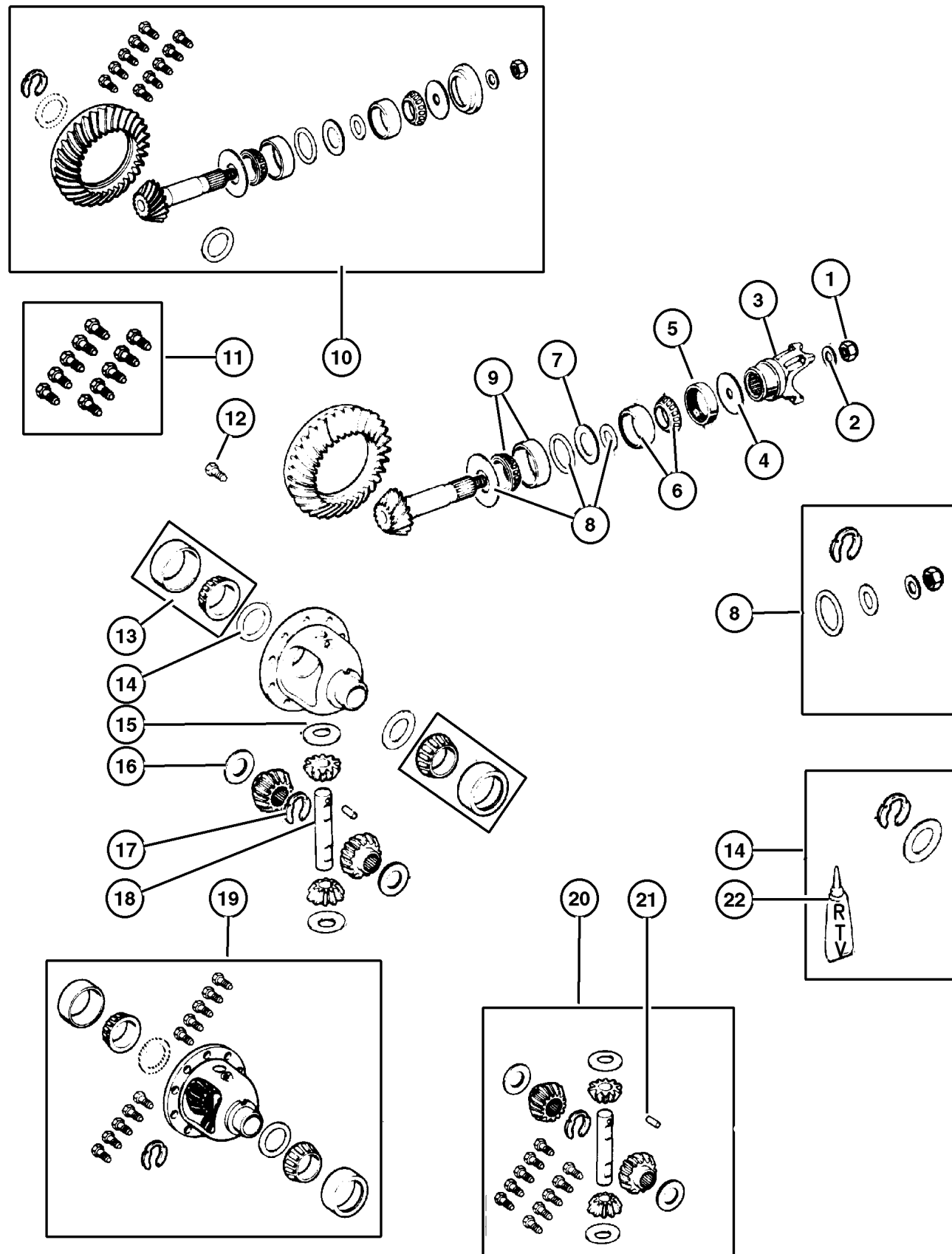
JEEP WRANGLER (TJ)

SERIES	LINE	BODY	ENGINE	TRANSMISSION
L=Low Line	J = Wrangler 4WD U = Wrangler 4WD (RHD)	77 = 93.4 WB	EPE, EP0 = 2.5L Power Tech ERH, ER0 = 4.0L Power Tech	DGG, DGD = 32RH 3 Spd. Auto. DDQ = 5 Spd. Manual DG0 = All Auto. Trans. DBB =All Manual Trans.

AR = Use as required - = Non illustrated part # = New this model year

June 7, 2002

Differential,Front Axle 1997 TJ
Figure 002-610



ITEM	PART NUMBER	QTY	LINE	BODY	ENGINE	TRANS	DESCRIPTION
	5252 503	10	J				
		10	U				
13	J812 6500	1	J				BEARING, Differential
		1	U				Consists of 2 Bearing and 2 Cups
14							Consists of 2 Bearing and 2 Cups
14	8350 0191	1	J				SHIM KIT, Differential
		1	U				
15							WASHER, Flat
	J812 0831	2	J				Pinion Gear Thrust
		2	U				Pinion Gear Thrust
16	J813 3724	2	J				WASHER, Flat
		2	U				Side Gear Thrust
17							Side Gear Thrust
	4137 739	2	J				SNAP RING, Front Axle Shaft
		2	U				
18							SHAFT, Differential
	5003 840AA	1	J				Pinion
		1	U				Pinion
19							CASE, Differential
	5252 582	1	J				[DMD,DMM]
	5252 590	1	J				[DME,DMF]
	5252 582	1	U				[DMD,DMM]
	5252 590	1	U				[DME,DMF]
20							GEAR KIT, Center Differential
	5252 591	1	J				
		1	U				
21							PIN, Differential Shaft
	1791 563	1	J				
		1	U				
22	5010 884AA	1			ER0		SEALANT, RTV

JEEP WRANGLER (TJ)

SERIES
L=Low Line

LINE
J = Wrangler 4WD
U = Wrangler 4WD (RHD)

BODY
77 = 93.4 WB

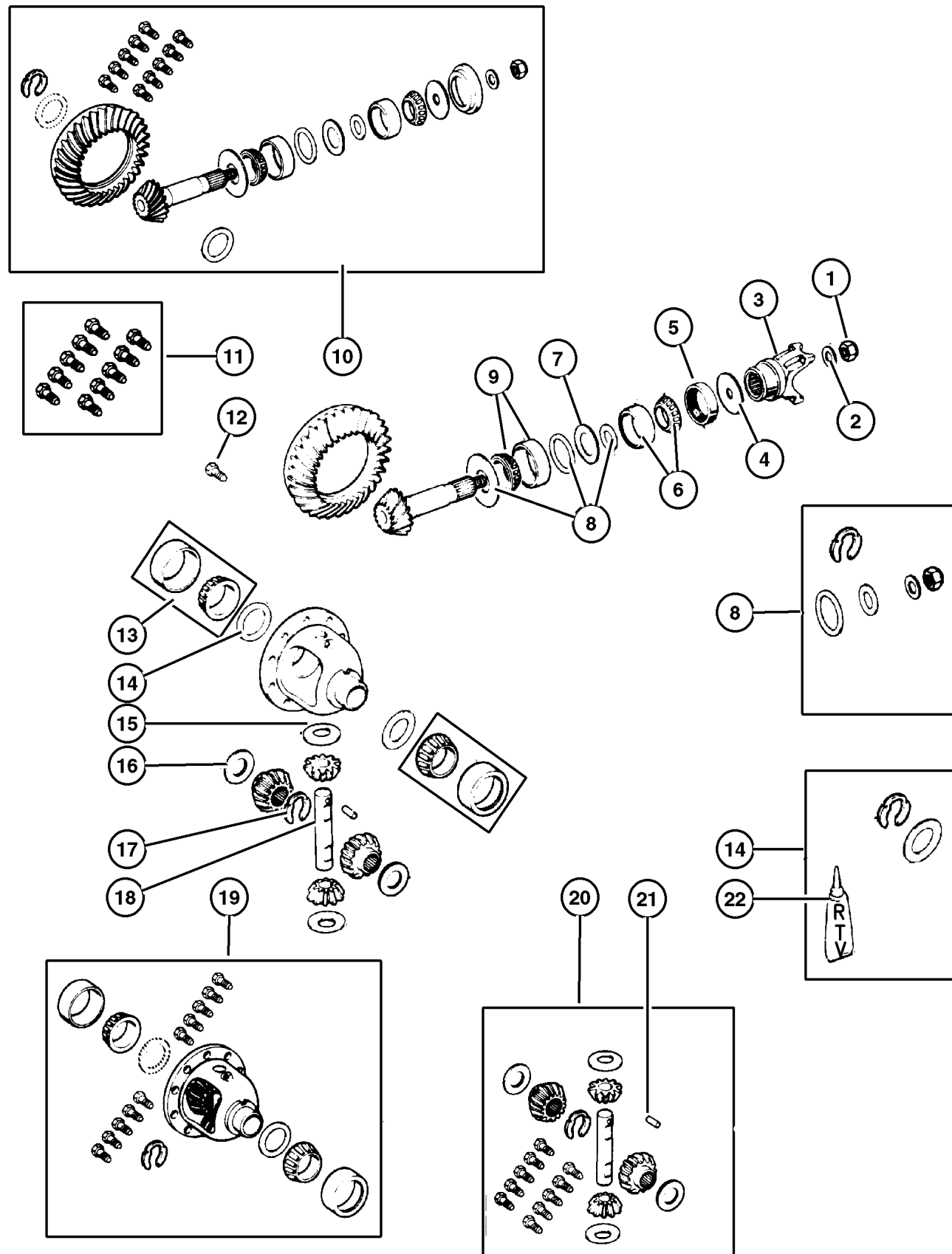
ENGINE
EPE, EP0 = 2.5L Power Tech
ERH, ER0 = 4.0L Power Tech

TRANSMISSION
DGG, DGD = 32RH 3 Spd. Auto.
DDQ = 5 Spd. Manual
DG0 = All Auto. Trans.
DBB =All Manual Trans.

AR = Use as required - = Non illustrated part # = New this model year

June 7, 2002

Differential,Front Axle 1998 TJ
Figure 002-610



ITEM	PART NUMBER	QTY	LINE	BODY	ENGINE	TRANS	DESCRIPTION
Note: Sales Codes;							
[DME]=Axle Ratio - 3.73							
[DMF]=Axle Ratio - 4.10							
[DMM]=Axle Ratio - 3.07							
1							NUT, Pinion Yoke
	1791 575	1	J				
		1	U				
2							WASHER, Pinion Yoke
	1791 576	1	J				
		1	U				
3							YOKE, Axle
	8350 3388	1	J				
		1	U				
4							SLINGER, Drive Pinion
	J063 6566	1	J				
		1	U				
5							SEAL, Drive Pinion
	4746 772	1	J				
		1	U				
6							BEARING, Drive Pinion Bearing and Cup, Front
	5252 508	1	J				
		1	U				Bearing and Cup, Front
7							SPACER Crush Crush
	4864 845	1	J				
		1	U				
8							SHIM KIT, Pinion Shaft
	4720 862	1	J				
		1	U				
9							BEARING, Drive Pinion Bearing and Cup, Rear Bearing and Cup, Rear
	J812 6499	1	J				
		1	U				
10							GEAR KIT, Ring And Pinion [DMM]
	4864 853	1	J				
	4864 843	1	J				[DME]
	4864 913	1	J				[DMF]
	4864 853	1	U				[DMM]
	4864 843	1	U				[DME]
11							BOLT KIT Consists of 10 5252503 Screws Consists of 10 5252503 Screws
	4720 891	1	J				
		1	U				
12							SCREW, Drive Gear
	5252 503	10	J				
		10	U				
13							BEARING, Differential

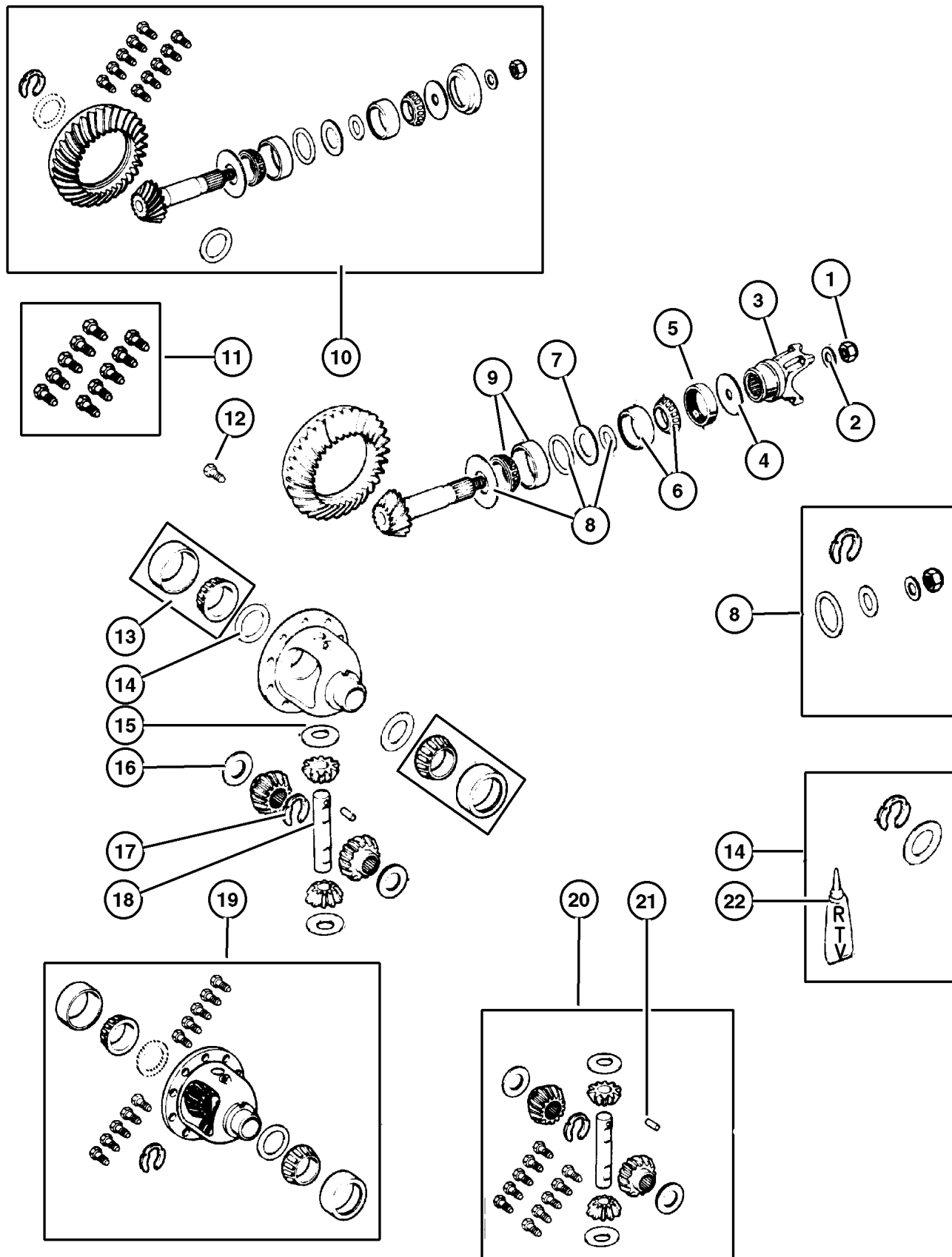
JEEP WRANGLER (TJ)

SERIES	LINE	BODY	ENGINE	TRANSMISSION
L=Low Line	J = Wrangler 4WD U = Wrangler 4WD (RHD)	77 = 93.4 WB	EPE, EP0 = 2.5L Power Tech ERH, ER0 = 4.0L Power Tech	DGG, DGD = 32RH 3 Spd. Auto. DDQ = 5 Spd. Manual DG0 = All Auto. Trans. DBB =All Manual Trans.

AR = Use as required - = Non illustrated part # = New this model year

June 7, 2002

Differential,Front Axle 1998 TJ
Figure 002-610



ITEM	PART NUMBER	QTY	LINE	BODY	ENGINE	TRANS	DESCRIPTION
	J812 6500	1	J				Consists of 2 Bearing and 2 Cups
		1	U				Consists of 2 Bearing and 2 Cups
14	8350 0191	1	J				SHIM KIT, Differential
		1	U				
15	J812 0831	2	J				WASHER, Flat
		2	U				Pinion Gear Thrust
16							Pinion Gear Thrust
							WASHER, Flat
	J813 3724	2	J				Side Gear Thrust
		2	U				Side Gear Thrust
17							SNAP RING, Front Axle Shaft
	4137 739	2	J				
		2	U				
18							SHAFT, Differential
	5003 840AA	1	J				Pinion
		1	U				Pinion
19							CASE, Differential
	5252 582	1	J				[DMM]
	5252 590	1	J				[DME,DMF]
		1	U				[DME]
	5252 582	1	U				[DMM]
20							GEAR KIT, Center Differential
	5252 591	1	J				
		1	U				
21							PIN, Differential Shaft
	1791 563	1	J				
		1	U				
22	5010 884AA	1			ER0		SEALANT, RTV

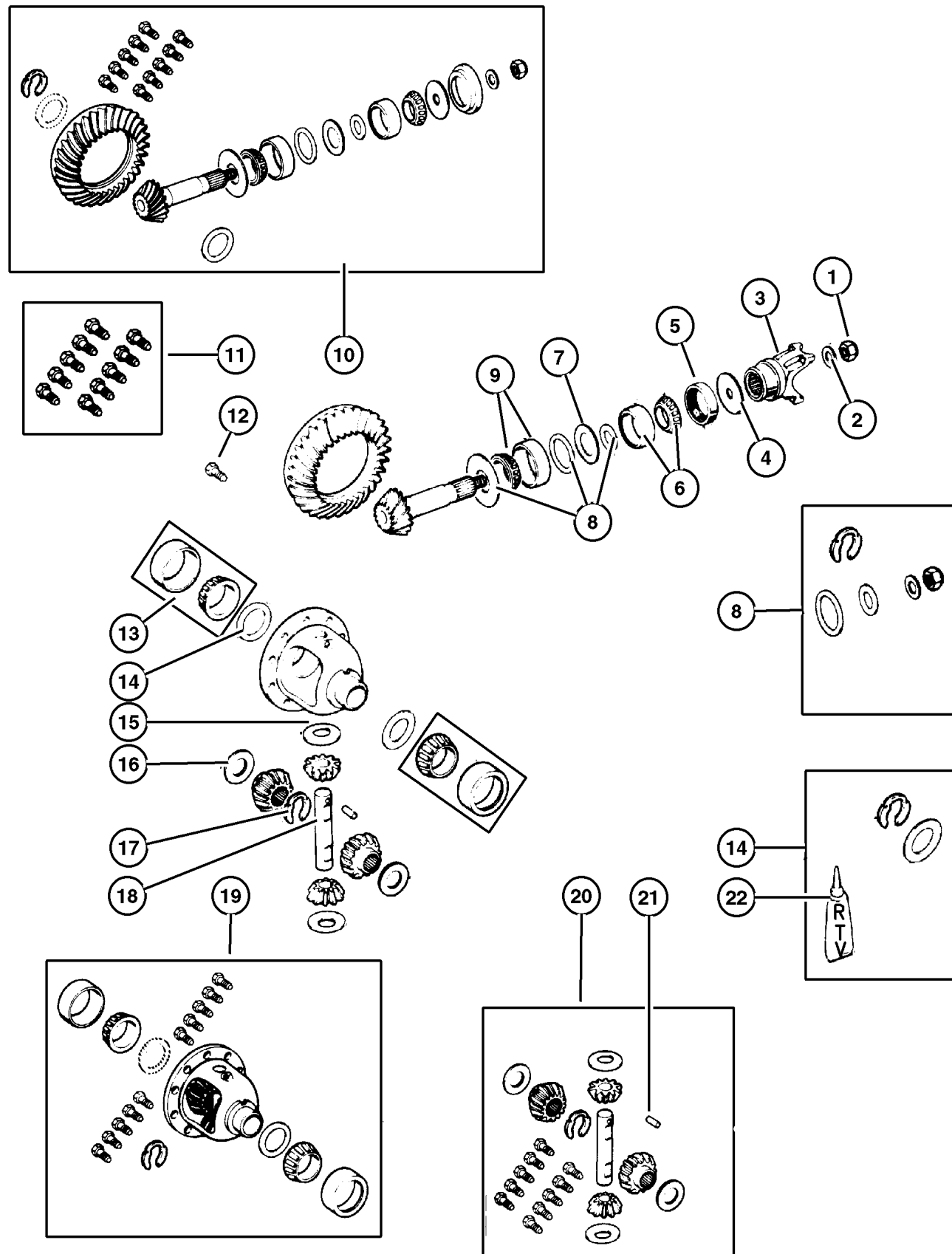
JEEP WRANGLER (TJ)

SERIES	LINE	BODY	ENGINE	TRANSMISSION
L=Low Line	J = Wrangler 4WD U = Wrangler 4WD (RHD)	77 = 93.4 WB	EPE, EP0 = 2.5L Power Tech ERH, ER0 = 4.0L Power Tech	DGG, DGD = 32RH 3 Spd. Auto. DDQ = 5 Spd. Manual DG0 = All Auto. Trans. DBB =All Manual Trans.

AR = Use as required - = Non illustrated part # = New this model year

June 7, 2002

Differential,Front Axle 1999 TJ
Figure 002-610



ITEM	PART NUMBER	QTY	LINE	BODY	ENGINE	TRANS	DESCRIPTION
Note: Sales Codes;							
[DME]=Axle Ratio - 3.73							
[DMF]=Axle Ratio - 4.10							
[DMM]=Axle Ratio - 3.07							
1							NUT, Pinion Yoke
	1791 575	1	J				
		1	U				
2							WASHER, Pinion Yoke
	1791 576	1	J				
		1	U				
3							YOKE, Axle
	8350 3388	1	J				
		1	U				
4							SLINGER, Drive Pinion
	J063 6566	1	J				
		1	U				
5							SEAL, Drive Pinion
	4746 772	1	J				
		1	U				
6							BEARING, Drive Pinion Bearing and Cup, Front
	5252 508	1	J				
		1	U				Bearing and Cup, Front
7							SPACER Crush Crush
	4864 845	1	J				
		1	U				
8							SHIM KIT, Pinion Shaft [DME,DMF]
	4720 862	1	J				
	8350 0192	1	J				[DMM]
	4720 862	1	U				[DME]
	8350 0192	1	U				[DMM]
9							BEARING, Drive Pinion Bearing and Cup, Rear Bearing and Cup, Rear
	J812 6499	1	J				
		1	U				
10							GEAR KIT, Ring And Pinion [DME]
	4864 843	1	J				
	4864 913	1	J				[DMF]
	4864 853	1	J				[DMM]
	4864 843	1	U				[DME]
	4864 853	1	U				[DMM]
11							BOLT KIT Consists of 10-5252503 Screws
	4720 891	1	J				
		1	U				
12							SCREW, Drive Gear

JEEP WRANGLER (TJ)

SERIES
L=Low Line

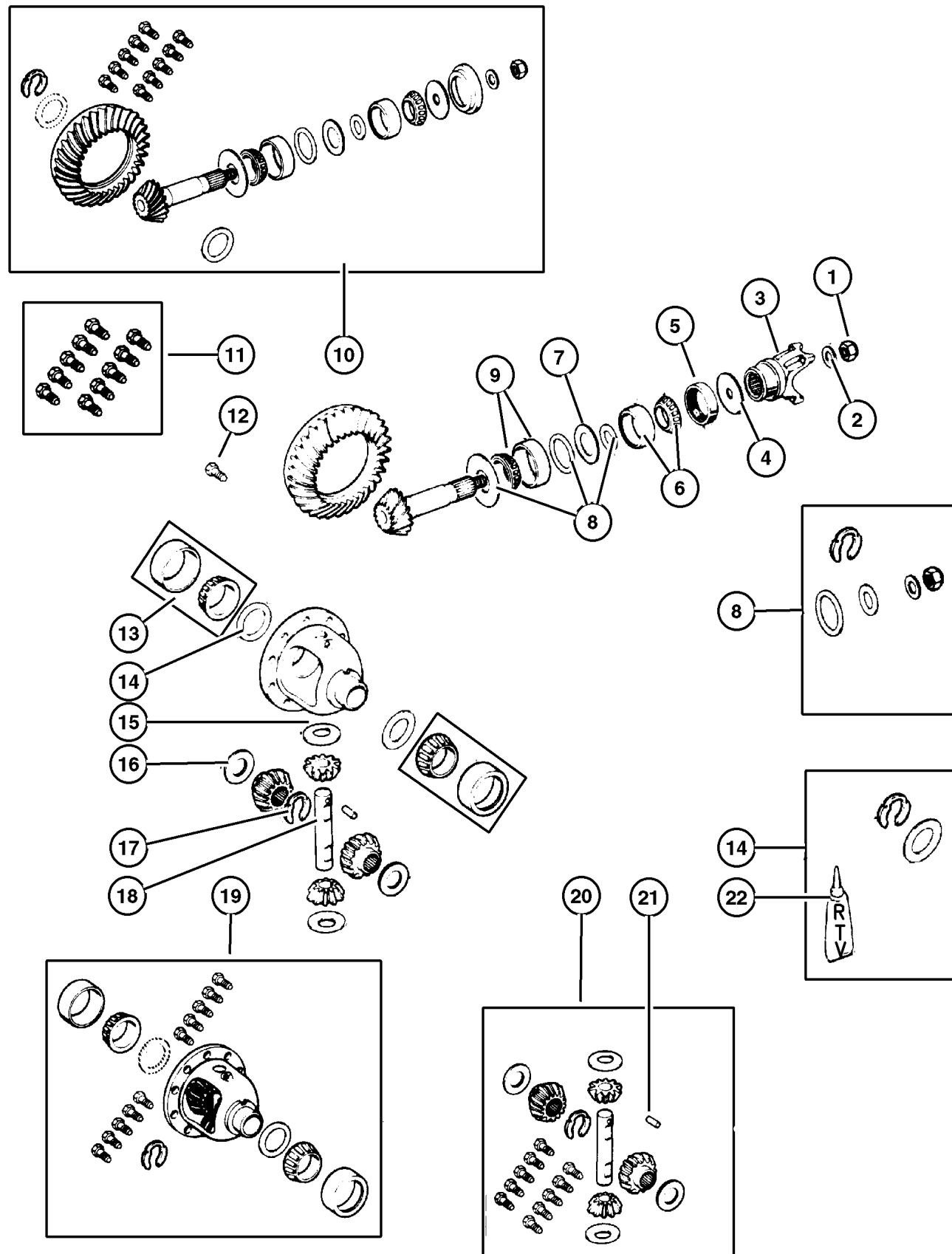
LINE
J = Wrangler 4WD
U = Wrangler 4WD (RHD)

BODY
77 = 93.4 WB

ENGINE
EPE, EP0 = 2.5L Power Tech
ERH, ER0 = 4.0L Power Tech

TRANSMISSION
DGG, DGD = 32RH 3 Spd. Auto.
DDQ = 5 Spd. Manual
DG0 = All Auto. Trans.
DBB =All Manual Trans.

Differential,Front Axle 1999 TJ
Figure 002-610



ITEM	PART NUMBER	QTY	LINE	BODY	ENGINE	TRANS	DESCRIPTION
	5252 503	10	J				
		10	U				
13	J812 6500	1	J				BEARING, Differential
		1	U				Consists of 2 Bearing and 2 Cups
		1	U				Consists of 2 Bearing and 2 Cups
14							SHIM KIT, Differential
	4720 863	1	J				[DME,DMF]
	8350 0191	1	J				[DMM]
	4720 863	1	U				[DME]
	8350 0191	1	U				[DMM]
15							WASHER, Flat
	J812 0831	2	J				Pinion Gear Thrust
		2	U				Pinion Gear Thrust
16							WASHER, Flat
	J813 3724	2	J				Side Gear Thrust
		2	U				Side Gear Thrust
17							SNAP RING, Front Axle Shaft
	4137 739	2	J				
		1	U				
18							SHAFT, Differential
	5003 840AA	1	J				Pinion
		1	U				Pinion
19							CASE, Differential
	5252 590	1	J				[DME,DMF]
	5252 582	1	J				[DMM]
	5252 590	1	U				[DME]
	5252 582	1	U				[DMM]
20							GEAR KIT, Center Differential
	5252 591	1	J				
		1	U				
21							PIN, Differential Shaft
	1791 563	1	J				
		1	U				
22	5010 884AA	1			EP0, ER0	DG0	SEALANT, RTV

JEEP WRANGLER (TJ)

SERIES
L=Low Line

LINE
J = Wrangler 4WD
U = Wrangler 4WD (RHD)

BODY
77 = 93.4 WB

ENGINE
EPE, EP0 = 2.5L Power Tech
ERH, ER0 = 4.0L Power Tech

TRANSMISSION
DGG, DGD = 32RH 3 Spd. Auto.
DDQ = 5 Spd. Manual
DG0 = All Auto. Trans.
DBB =All Manual Trans.

AR = Use as required - = Non illustrated part # = New this model year

June 7, 2002

Group – 003

Rear Axle

GROUP 3 - Rear Axle

Illustration Title

Group-Fig. No.

Rear Axle

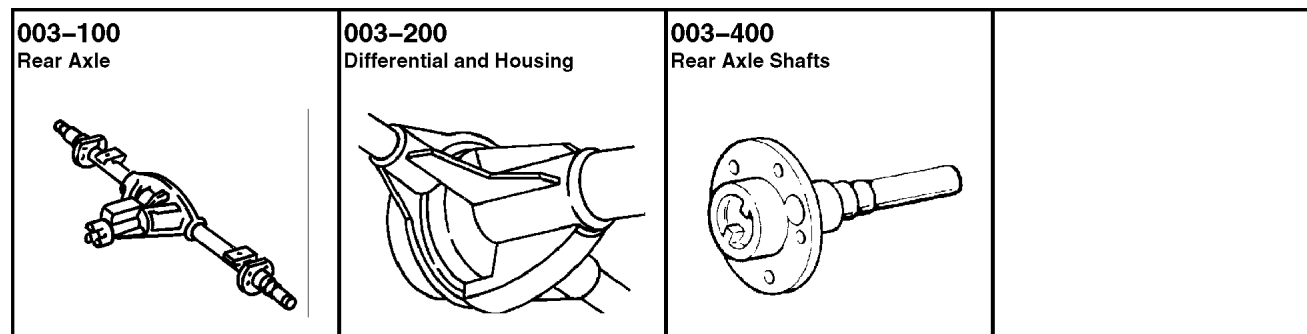
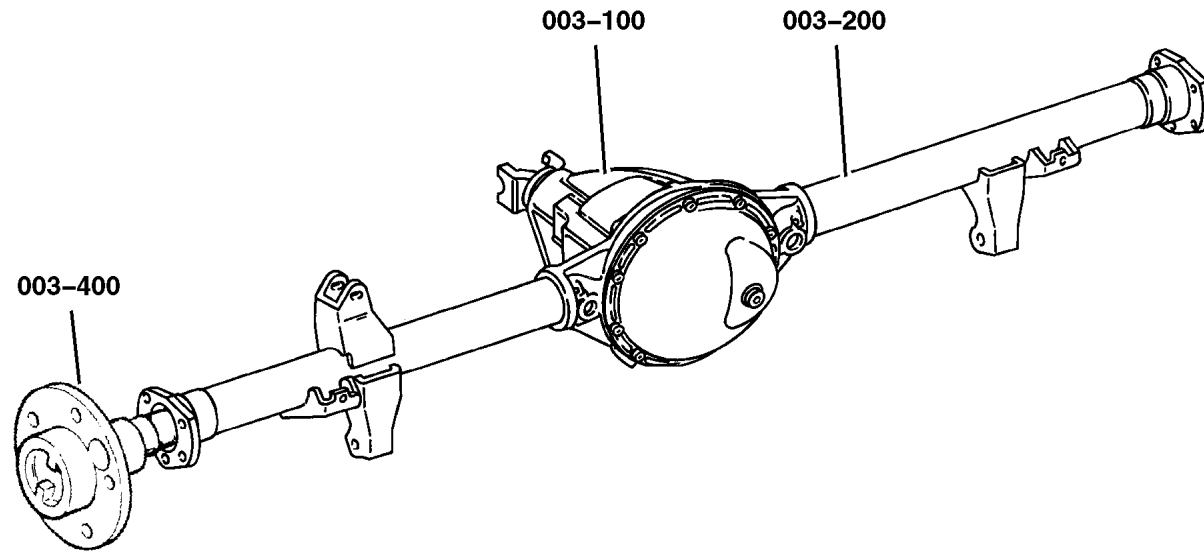
Axle Assembly, Rear 1997 TJ	Fig. 003-110
Axle Assembly, Rear 1998 TJ	Fig. 003-110
Axle Assembly, Rear 1999 TJ	Fig. 003-110

Differential and Housing

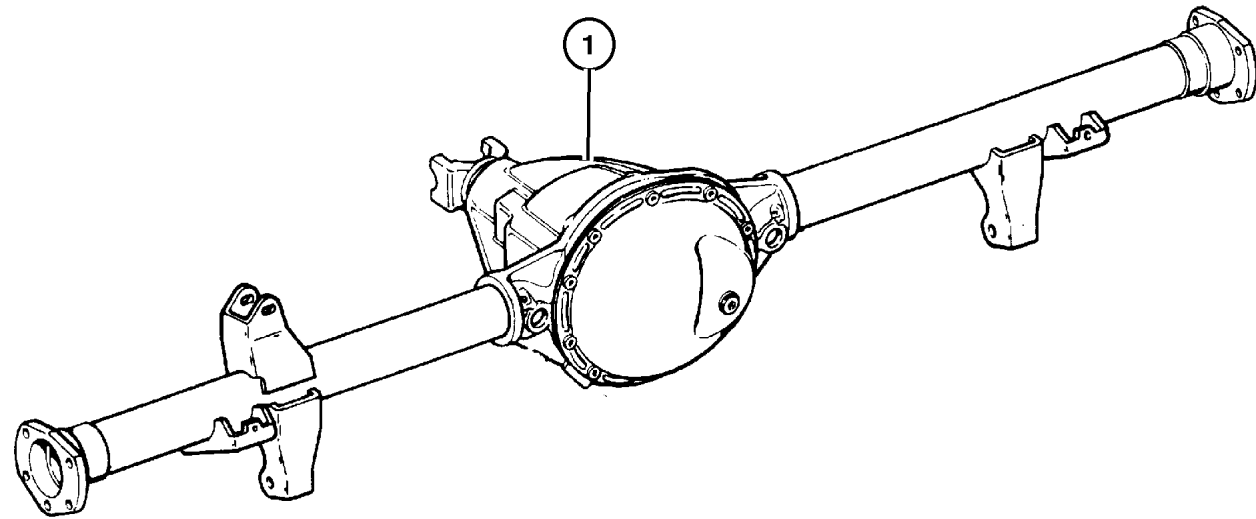
Housing, Rear Axle, Dana 35/194MM [DRJ] 1997 TJ	Fig. 003-210
Housing, Rear Axle, Dana 35/194MM [DRJ] 1998 TJ	Fig. 003-210
Housing, Rear Axle, Dana 35/194MM [DRJ] 1999 TJ	Fig. 003-210
Housing, Rear Axle, Dana 44/226MM [DRK] 1997 TJ	Fig. 003-220
Housing, Rear Axle, Dana 44/226MM [DRK] 1998 TJ	Fig. 003-220
Housing, Rear Axle, Dana 44/226MM [DRK] 1999 TJ	Fig. 003-220
Differential, With and Without Trac-Lok [DSA] Dana 35/194MM [DRJ] 1997 TJ	Fig. 003-230
Differential, With and Without Trac-Lok [DSA] Dana 35/194MM [DRJ] 1998 TJ	Fig. 003-230
Differential, With and Without Trac-Lok [DSA] Dana 35/194MM [DRJ] 1999 TJ	Fig. 003-230
Differential, With Trac-Lok [DSA] Dana 44/226MM [DRK] 1997 TJ	Fig. 003-240
Differential, With Trac-Lok [DSA] Dana 44/226MM [DRK] 1998 TJ	Fig. 003-240
Differential With Trac-Lok [DSA] Dana 44/226MM [DRK] 1999 TJ	Fig. 003-240

Rear Axle Shafts

Shaft, Rear Axle, Dana 35/194MM [DRJ] 1997 TJ	Fig. 003-410
Shaft, Rear Axle, Dana 35/194MM [DRJ] 1998 TJ	Fig. 003-410
Shaft, Rear Axle, Dana 35/194MM [DRJ] 1999 TJ	Fig. 003-410
Shaft, Rear Axle, Dana 44/226MM [DRK] 1997 TJ	Fig. 003-420
Shaft, Rear Axle, Dana 44/226MM [DRK] 1998 TJ	Fig. 003-420
Shaft, Rear Axle, Dana 44/226MM [DRK] 1999 TJ	Fig. 003-420



**Axle Assembly, Rear 1997 TJ
Figure 003-110**



ITEM	PART NUMBER	QTY	LINE	SERIES	BODY	DESCRIPTION
Note:Sales Codes;						
[DMD]= Axle Ratio 3.55						
[DME]= Axle Ratio 3.73						
[DMF]=Axle Ratio 4.11						
[DMM]=Axle Ratio 3.07						
[DRJ]=Axle - Rear,Dana M35/194MM						
[DRK]=Axke - Rear,Dana 44/226MM						
[DSA]=Axle - Trac-Lok Differential						
1						AXLE, Service Rear
	4897 279AA	1	J			[DRJ,DMD] Tagged 52111761 Up to 11-13-97
	4897 248AA	1	J			[DRJ,DMD] Tagged 52111761AB After 11-13-97
	4897 274AA	1	J			[DRJ,DMD,DSA] Tagged 52111759,52111765 Up to 11-13-97
	4897 236AA	1	J			[DRJ,DMD,DSA] Tagged 52111759AB,52111765AB After 11-13-97
	4897 277AA	1	J			[DRJ,DME] Tagged 52111763 Up to 12-2-96
	4897 242AA	1	J			[DRJ,DME] Tagged 52111763AB After 12-2-96
	4897 269AA	1	J			[DRJ,DME,DSA] Tagged 52111929 Up to 11-13-97
	4897 235AA	1	J			[DRJ,DME,DSA] Tagged 52111929AB After 11-13-97
	4897 272AA	1	J			[DRJ,DMF,DSA] Tagged 52111766 Up to 11-13-97
	4897 261AA	1	J			[DRJ,DMF,DSA] Tagged 52111766AB After 11-13-97
	4897 278AA	1	J			[DRJ,DMF] Tagged 52111762 Up to Up to 12-2-96
	4897 240AA	1	J			[DRJ,DMF] Tagged 52111762AB After 12-2-96
	4897 276AA	1	J			[DRJ,DMM,DSA] Tagged 52111764 Up to 12-2-96
	4897 237AA	1	J			[DRJ,DMM,DSA] Tagged 52111764AB After 12-2-96
	4897 280AA	1	J			[DRJ,DMM] Tagged 52111760 Up to 11-13-97
	4897 249AA	1	J			[DRJ,DMM] Tagged 52111760AB After 11-13-97
	4897 280AA	1	J			[DRJ,DMM] Tagged 52111758 Up to 11-13-97
	4897 249AA	1	J			[DRJ,DMM] Tagged 52111758AB After 11-13-97
	4882 910	1	J			[DRK,DMD] Tagged 52099494 Up to 11-13-97
	4897 296AA	1	J			[DRK,DMD] Tagged 52099494AB After 11-13-97
	4882 909	1	U			[DRK,DME] Tagged 52111751 Up to 11-13-97
	4897 291AA	1	U			[DRK,DME] Tagged 52111751AB After 11-13-97
	4882 908	1	U			[DRK,DMF] Tagged 52111752
	4882 907	1	U			[DRK,DMM] Tagged 52111750 Up to 11-13-97
	4897 290AA	1	U			[DRK,DMM] Tagged 52111750AB After 11-13-97

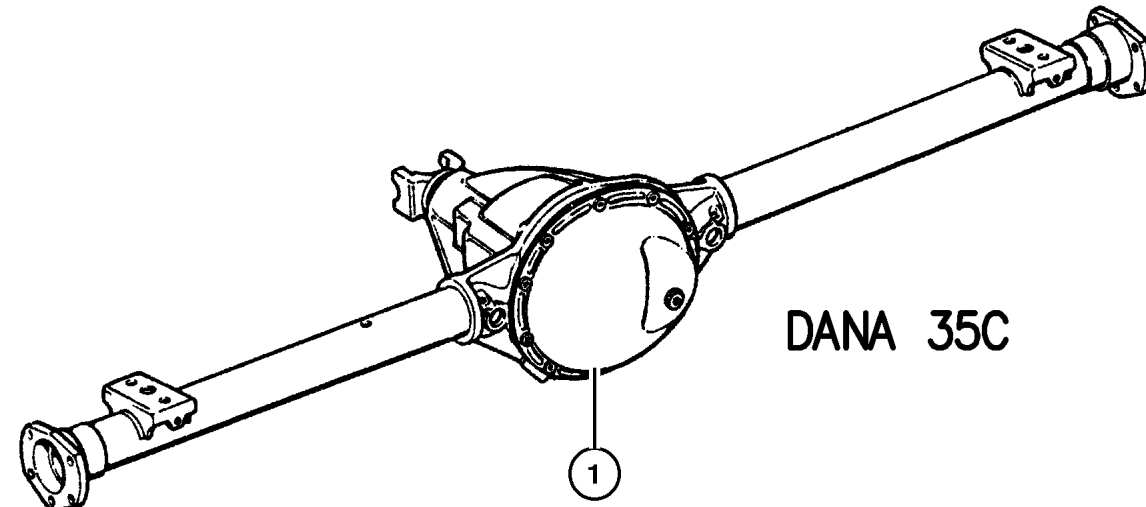
JEEP WRANGLER (TJ)

SERIES	LINE	BODY	ENGINE	TRANSMISSION
L=Low Line	J = Wrangler 4WD U = Wrangler 4WD (RHD)	77 = 93.4 WB	EPE, EP0 = 2.5L Power Tech ERH, ER0 = 4.0L Power Tech	DGG, DGD = 32RH 3 Spd. Auto. DDQ = 5 Spd. Manual DG0 = All Auto. Trans. DBB =All Manual Trans.

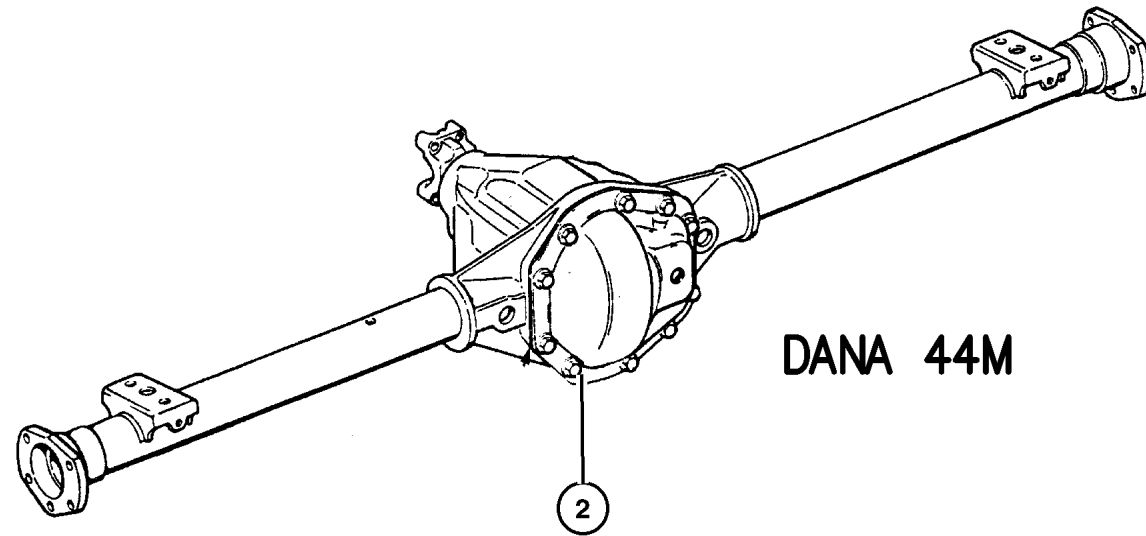
AR = Use as required - = Non illustrated part # = New this model year

June 7, 2002

**Axle Assembly,Rear 1998 TJ
Figure 003-110**



DANA 35C



DANA 44M

ITEM	PART NUMBER	QTY	LINE	SERIES	BODY	DESCRIPTION
Note:Sales Codes;						
[DME]=Axle Ratio - 3.73						
[DMF]=Axle Ratio - 4.11						
[DMM]=Axle Ratio - 3.07						
[DRJ]=Axle - Rear,Dana M35/194MM						
[DRK]=Axle - Rear,Dana 44/226MM						
[DSA]=Axle - Trac-Lok Differential						
1						AXLE, Service Rear
	4897 242AA	1	J			[DRJ,DME] Tag 52111763AB
	4897 235AA	1	J			[DRJ,DME,DSA] Tag 52111030AA
		1	J			[DRJ,DME,DSA] Tag 52111929AB
	4897 240AA	1	J			[DRJ,DMF] Tag #52111762AB
	4897 261AA	1	J			[DRJ,DMF,DSA] Tag 52111766AB
	4897 249AA	1	J			[DRJ,DMM] Tag 52111758AB
		1	J			[DRJ,DMM] Tag 52111760AB
	4897 237AA	1	J			[DRJ,DMM,DSA] Tag 52111764AB
2						AXLE, Service Rear
	5003 375AA	1	J			[DRK,DME,DSA] Tag 52111032AA
	4897 291AA	1	U			[DRK,DME,DSA] Tag 52111751AB
	4897 290AA	1	U			[DRK,DMM,DSA] Tag 52111750AB

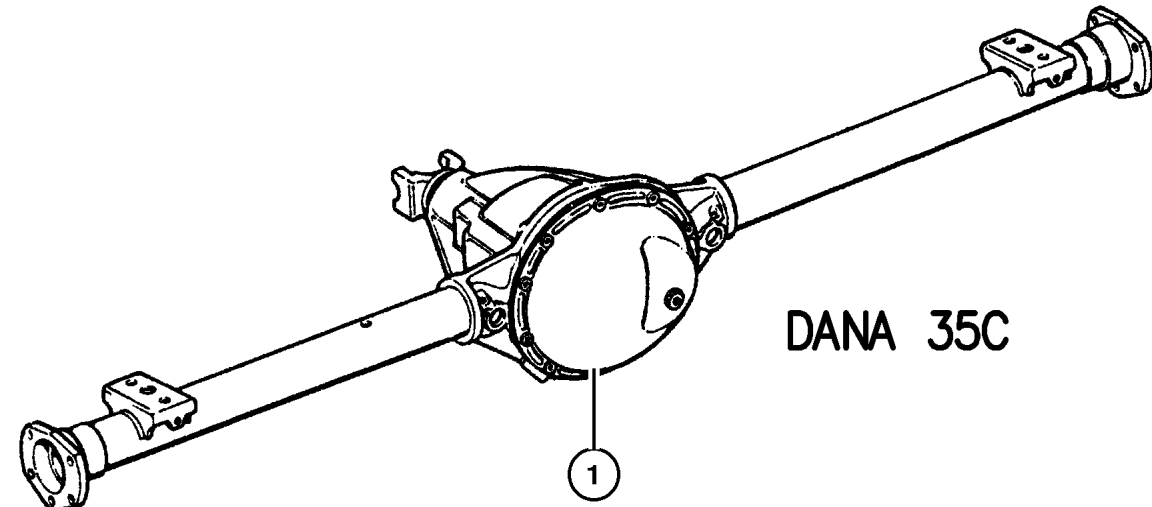
JEEP WRANGLER (TJ)

SERIES	LINE	BODY	ENGINE	TRANSMISSION
L=Low Line	J = Wrangler 4WD U = Wrangler 4WD (RHD)	77 = 93.4 WB	EPE, EP0 = 2.5L Power Tech ERH, ER0 = 4.0L Power Tech	DGG, DGD = 32RH 3 Spd. Auto. DDQ = 5 Spd. Manual DG0 = All Auto. Trans. DBB =All Manual Trans.

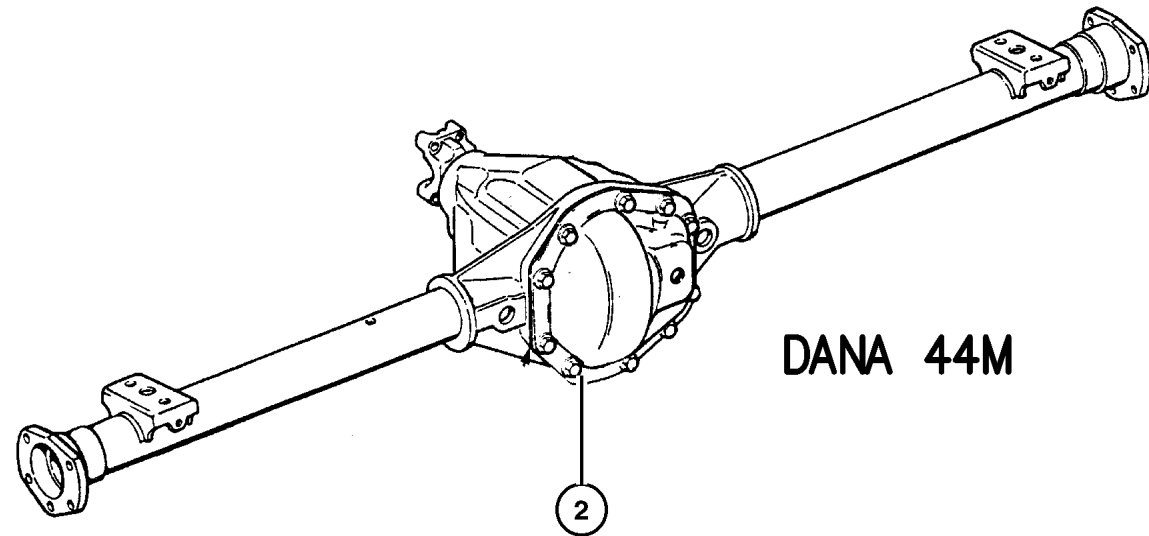
AR = Use as required - = Non illustrated part # = New this model year

June 7, 2002

Axle Assembly, Rear 1999 TJ
Figure 003-110



DANA 35C



DANA 44M

ITEM	PART NUMBER	QTY	LINE	SERIES	BODY	DESCRIPTION
Note:Sales Codes;						
[DME]=Axle Ratio - 3.73						
[DMF]=Axle Ratio - 4.11						
[DMM]=Axle Ratio - 3.07						
[DRJ]=Axle - Rear,Dana M35/194MM						
[DRK]=Axle - Rear,Dana 44/226MM						
[DSA]=Axle - Trac-Lok Differential						
1						AXLE, Service Rear
	4897 242AA	1	J			[DRJ,DME] Tag 52111763AB
	4897 235AA	1	J			[DRJ,DME,DSA] Tag 52111030AA
		1	J			[DRJ,DME,DSA] Tag 52111929AB
	4897 240AA	1	J			[DRJ,DMF] Tag #52111762Ab
	4897 261AA	1	J			[DRJ,DMF,DSA] Tag 52111766AB
	4897 249AA	1	J			[DRJ,DMM] Tag 52111758AB
		1	J			[DRJ,DMM] Tag 52111760AB
	4897 237AA	1	J			[DRJ,DMM,DSA] Tag 52111764AB
2						AXLE, Service Rear
	5003 375AA	1	J			[DRK,DME,DSA] Tag 52111032AA
	4897 291AA	1	U			[DRK,DME,DSA] Tag 52111751AB
	4897 290AA	1	U			[DRK,DMM,DSA] Tag 52111750AB

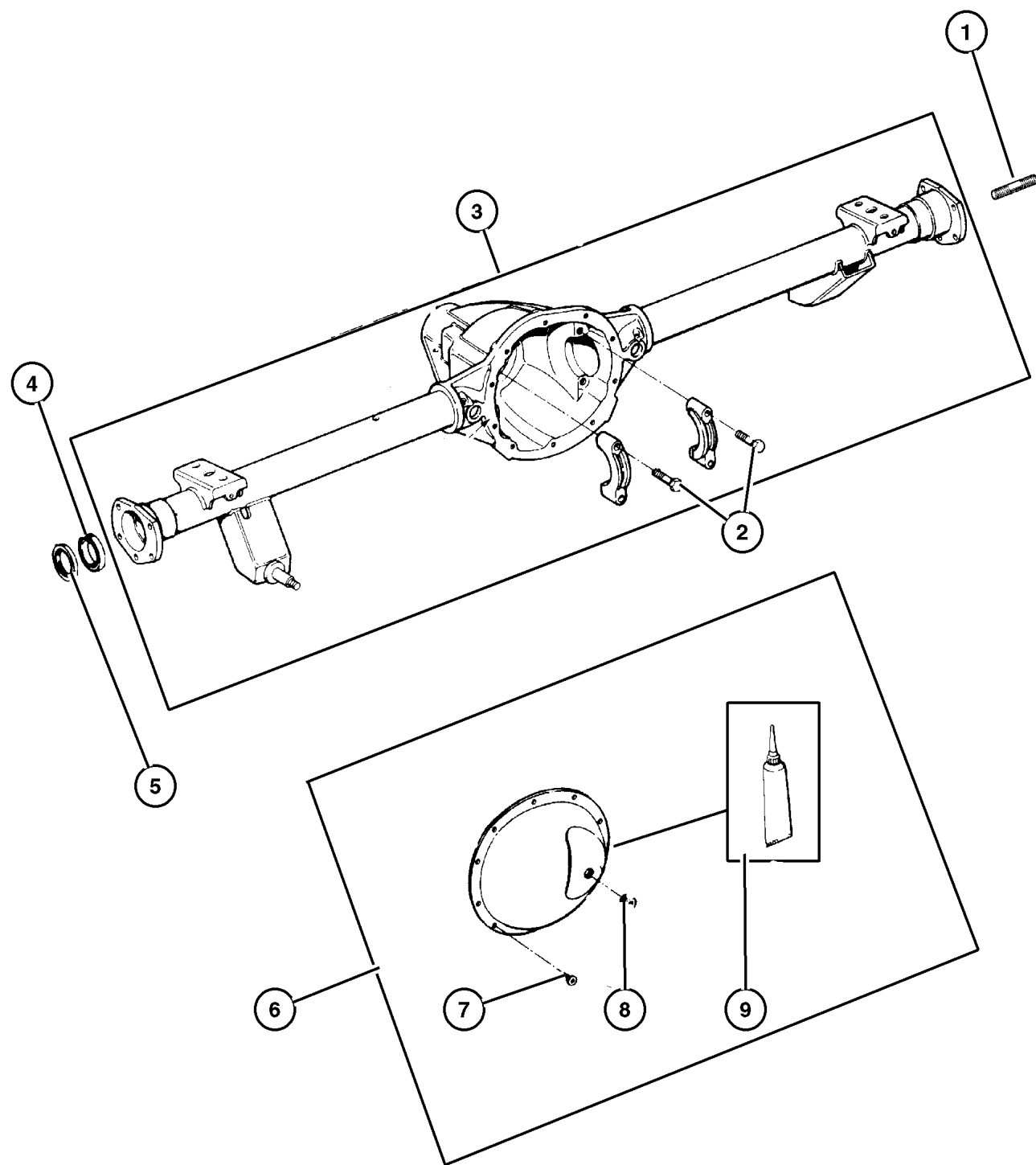
JEEP WRANGLER (TJ)

SERIES	LINE	BODY	ENGINE	TRANSMISSION
L=Low Line	J = Wrangler 4WD U = Wrangler 4WD (RHD)	77 = 93.4 WB	EPE, EP0 = 2.5L Power Tech ERH, ER0 = 4.0L Power Tech	DGG, DGD = 32RH 3 Spd. Auto. DDQ = 5 Spd. Manual DG0 = All Auto. Trans. DBB =All Manual Trans.

AR = Use as required - = Non illustrated part # = New this model year

June 7, 2002

Housing,Rear Axle,Dana 35/194MM [DRJ] 1997 TJ
Figure 003-210



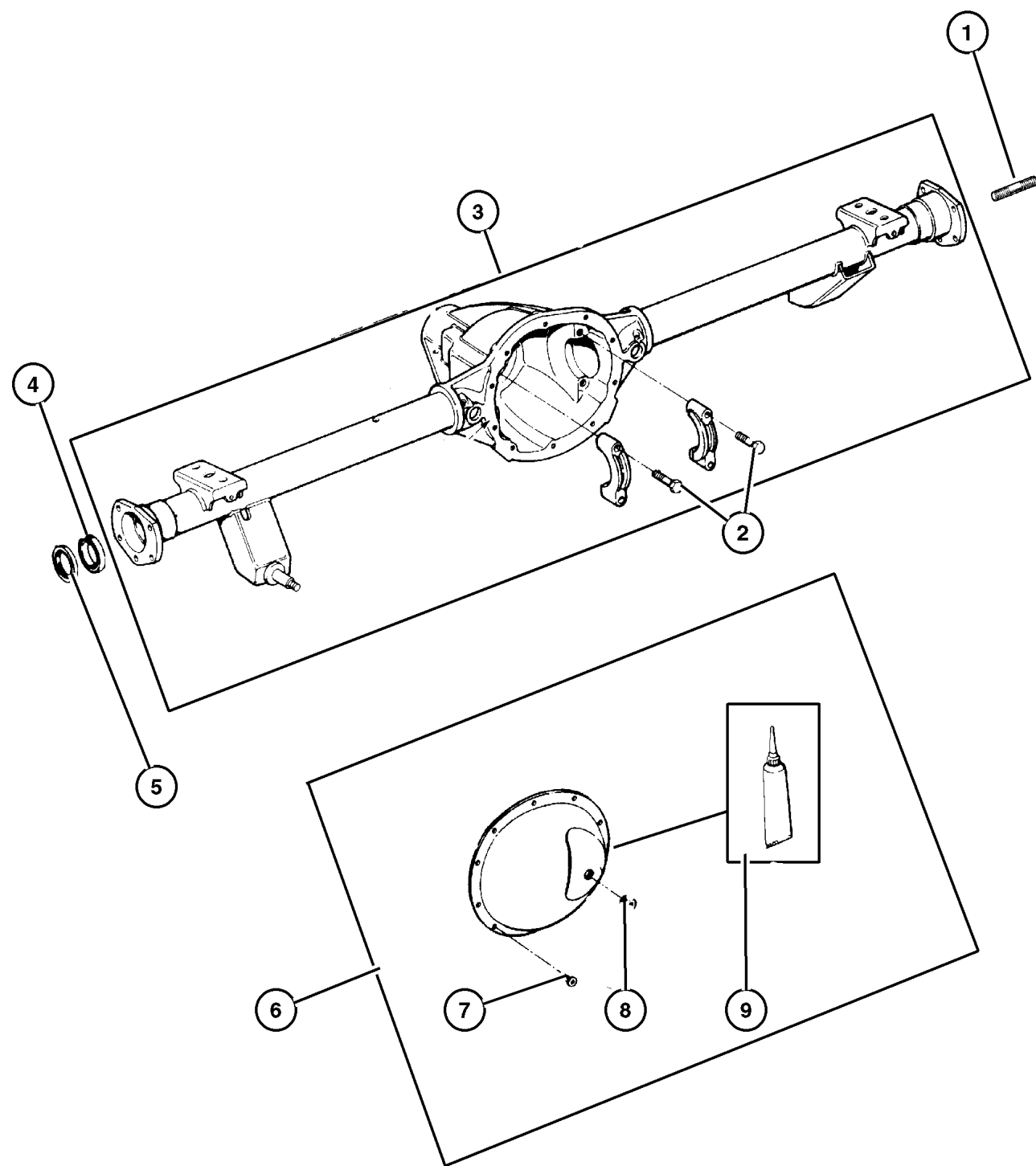
ITEM	PART NUMBER	QTY	LINE	SERIES	BODY	DESCRIPTION
Note:Sales Codes;						
[DRJ]=Axle - Rear,Dana M35/194MM						
1	4897 234AA	8	J			BOLT, Backing Plate to Axle Housing
2	4897 482AB	4	J			BOLT, Differential, Carrier Cap Retaining
3	4897 233AA	1	J			HOUSING, Axle, Includes Items 1,2,4
4	J813 4586	2	J			BEARING, Axle Shaft
5	4856 336	2	J			SEAL, Axle Drive Shaft
6	5252 493	1	J			COVER, Differential
7	J400 6708	10	J			SCREW, Pan Head, .312-18x.56, Differential Cover, Mounting
8	5252 504	1	J			PLUG, Differential Cover
9	5010 884AA	1				SEALANT, RTV

JEEP WRANGLER (TJ)				
SERIES	LINE	BODY	ENGINE	TRANSMISSION
L=Low Line	J = Wrangler 4WD U = Wrangler 4WD (RHD)	77 = 93.4 WB	EPE, EP0 = 2.5L Power Tech ERH, ER0 = 4.0L Power Tech	DGG, DGD = 32RH 3 Spd. Auto. DDQ = 5 Spd. Manual DG0 = All Auto. Trans. DBB =All Manual Trans.

AR = Use as required - = Non illustrated part # = New this model year

June 7, 2002

Housing,Rear Axle,Dana 35/194MM [DRJ] 1998 TJ
Figure 003-210



ITEM	PART NUMBER	QTY	LINE	SERIES	BODY	DESCRIPTION
Note:Sales Codes;						
[DRJ]=Axle - Rear,Dana M35/194MM						
1	4897 234AA	8	J			BOLT, Backing Plate to Axle Housing
2	4897 482AB	4	J			BOLT, Differential, Carrier Cap Retaining
3	4897 233AA	1	J			HOUSING, Axle, Includes Items 1,2,4
4	J813 4586	2	J			BEARING, Axle Shaft
5	4856 336	1	J			SEAL, Axle Drive Shaft
6	5252 493	1	J			COVER, Differential
7	J400 6708	10	J			SCREW, Pan Head, .312-18x.56, Differential Cover, Mounting
8	5252 504	1	J			PLUG, Differential Cover
9	5010 884AA	1				SEALANT, RTV

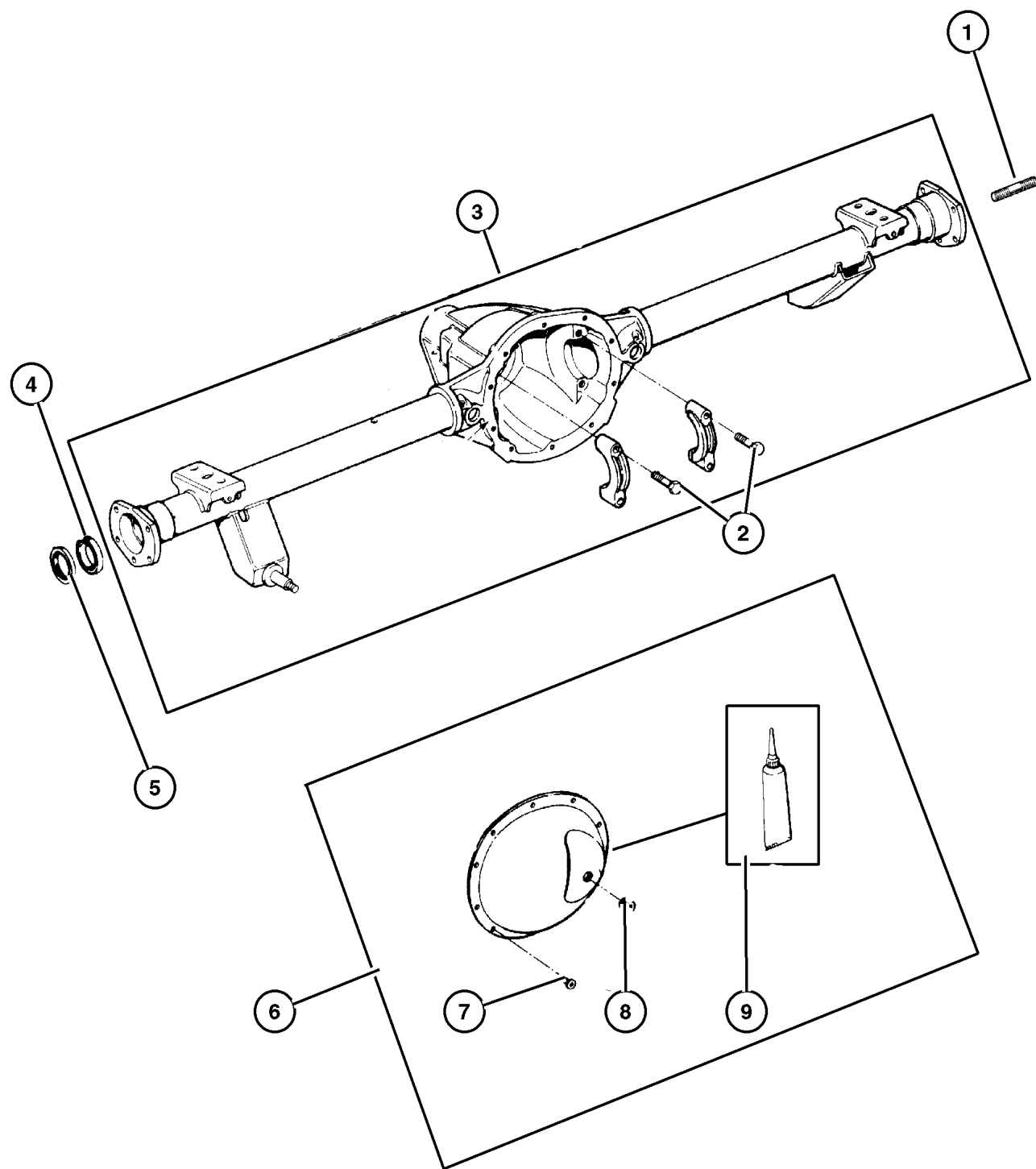
JEEP WRANGLER (TJ)

SERIES	LINE	BODY	ENGINE	TRANSMISSION
L=Low Line	J = Wrangler 4WD U = Wrangler 4WD (RHD)	77 = 93.4 WB	EPE, EP0 = 2.5L Power Tech ERH, ER0 = 4.0L Power Tech	DGG, DGD = 32RH 3 Spd. Auto. DDQ = 5 Spd. Manual DG0 = All Auto. Trans. DBB =All Manual Trans.

AR = Use as required - = Non illustrated part # = New this model year

June 7, 2002

Housing,Rear Axle,Dana 35/194MM [DRJ] 1999 TJ
Figure 003-210



ITEM	PART NUMBER	QTY	LINE	SERIES	BODY	DESCRIPTION
Note:Sales Codes;						
[DRJ]=Axle - Rear,Dana M35/194MM						
1	4897 234AA	8	J			BOLT, Backing Plate to Axle Housing
2	4897 482AB	4	J			BOLT, Differential, Carrier Cap Retaining
3	4897 233AA	1	J			HOUSING, Axle, Includes Items 1,2,4
4	J813 4586	2	J			BEARING, Axle Shaft
5	4856 336	1	J			SEAL, Axle Drive Shaft
6	5252 493	1	J			COVER, Differential
7	J400 6708	10	J			SCREW, Pan Head, .312-18x.56, Differential Cover, Mounting
8	5252 504	1	J			PLUG, Differential Cover
9	5010 884AA	1				SEALANT, RTV

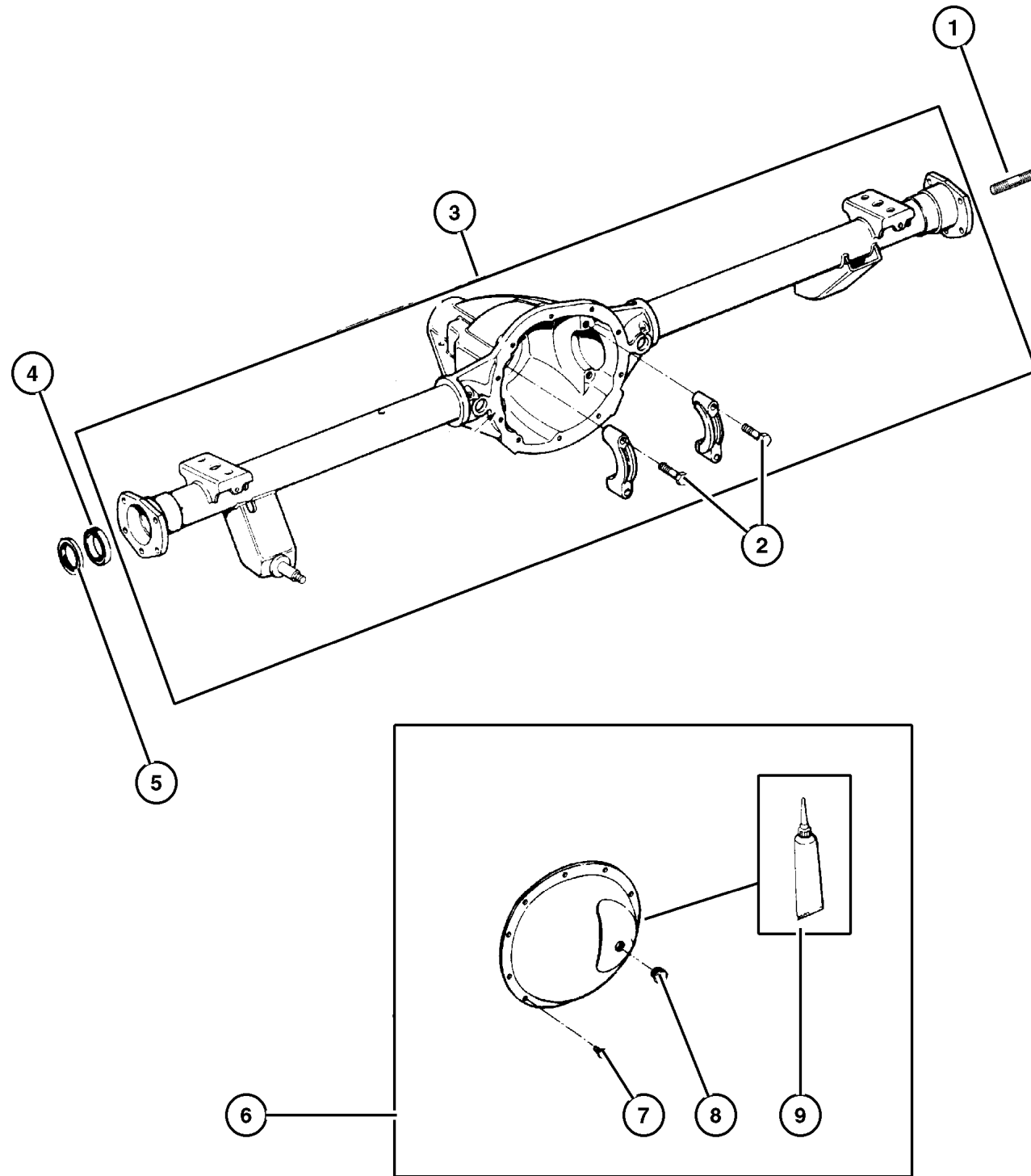
JEEP WRANGLER (TJ)

SERIES	LINE	BODY	ENGINE	TRANSMISSION
L=Low Line	J = Wrangler 4WD U = Wrangler 4WD (RHD)	77 = 93.4 WB	EPE, EP0 = 2.5L Power Tech ERH, ER0 = 4.0L Power Tech	DGG, DGD = 32RH 3 Spd. Auto. DDQ = 5 Spd. Manual DG0 = All Auto. Trans. DBB =All Manual Trans.

AR = Use as required - = Non illustrated part # = New this model year

June 7, 2002

Housing,Rear Axle,Dana 44/226MM [DRK] 1997 TJ
Figure 003-220



ITEM	PART NUMBER	QTY	LINE	SERIES	BODY	DESCRIPTION
------	-------------	-----	------	--------	------	-------------

Note:Sales Codes;

[DRK]=Axle - Rear,Dana 44/226MM

1	J099 4313	10	J			STUD Backing Plate to Axle Housing, Mounting
		1	U			Backing Plate to Axle Housing, Mounting
2	J400 6553	4	J			BOLT, Differential Carrier Cap Retaining
		4	U			Carrier Cap Retaining
3						HOUSING, Axle
	4882 840	1	J			Includes Items 1,2
	4882 348	1	U			Includes Items 1,2
4						BEARING, Axle
	8350 3064	1	J			
		1	U			
5						SEAL, Axle Drive Shaft
	8350 3063	2	J			
		2	U			
6						COVER, Differential
	8350 5549	1	J			
		1	U			
7						SCREW, Pan Head, .312-18x.56
	J400 6708	10	J			Differential Cover, Mounting
		10	U			Differential Cover, Mounting
8						PLUG, Differential Cover
	5252 504	1	J			
		1	U			
9	5010 884AA	1				SEALANT, RTV

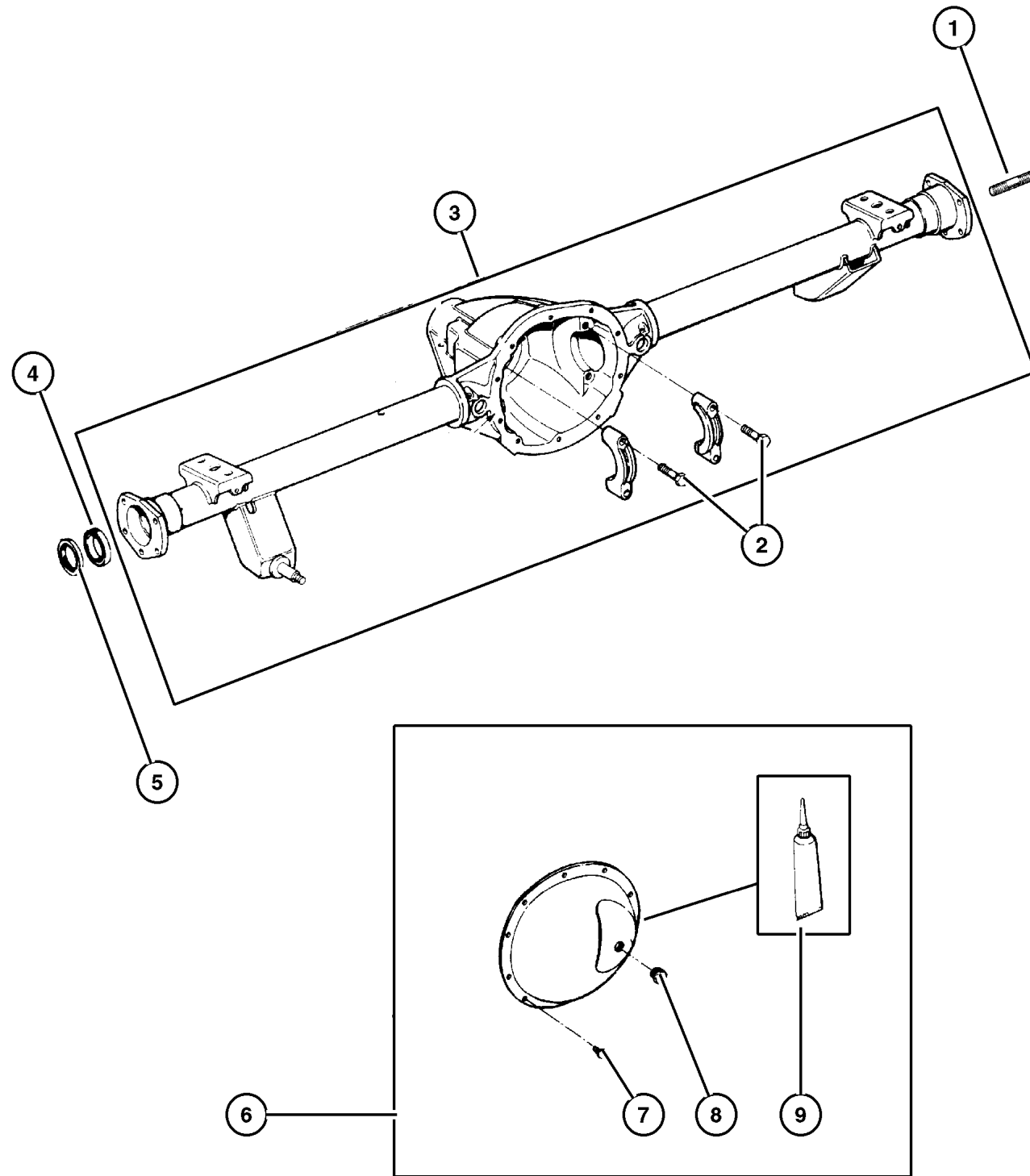
JEEP WRANGLER (TJ)

SERIES	LINE	BODY	ENGINE	TRANSMISSION
L=Low Line	J = Wrangler 4WD U = Wrangler 4WD (RHD)	77 = 93.4 WB	EPE, EP0 = 2.5L Power Tech ERH, ER0 = 4.0L Power Tech	DGG, DGD = 32RH 3 Spd. Auto. DDQ = 5 Spd. Manual DG0 = All Auto. Trans. DBB =All Manual Trans.

AR = Use as required - = Non illustrated part # = New this model year

June 7, 2002

Housing,Rear Axle,Dana 44/226MM [DRK] 1998 TJ
Figure 003-220



ITEM	PART NUMBER	QTY	LINE	SERIES	BODY	DESCRIPTION
------	-------------	-----	------	--------	------	-------------

Note:Sales Codes;
[DRK]=Axle - Rear,Dana 44/226MM

1	J099 4313	8	J			STUD Axle Housing to Backing Plate, Mounting
		1	U			Axle Housing to Backing Plate, Mounting
2	J400 6553	4	J			BOLT, Differential Carrier Cap Retaining
		4	U			Carrier Cap Retaining
3						HOUSING, Axle
	4882 840	1	J			Includes Items 1,2
	4882 348	1	U			Includes Items 1,2
4						BEARING, Axle
	8350 3064	2	J			
		2	U			
5						SEAL, Axle Drive Shaft
	8350 3063	2	J			
		2	U			
6						COVER, Differential
	8350 5549	1	J			
		1	U			
7						SCREW, Pan Head, .312-18x.56
	J400 6708	10	J			Differential Cover, Mounting
		10	U			Differential Cover, Mounting
8						PLUG, Differential Cover
	5252 504	1	J			
		1	U			
9	5010 884AA	1				SEALANT, RTV

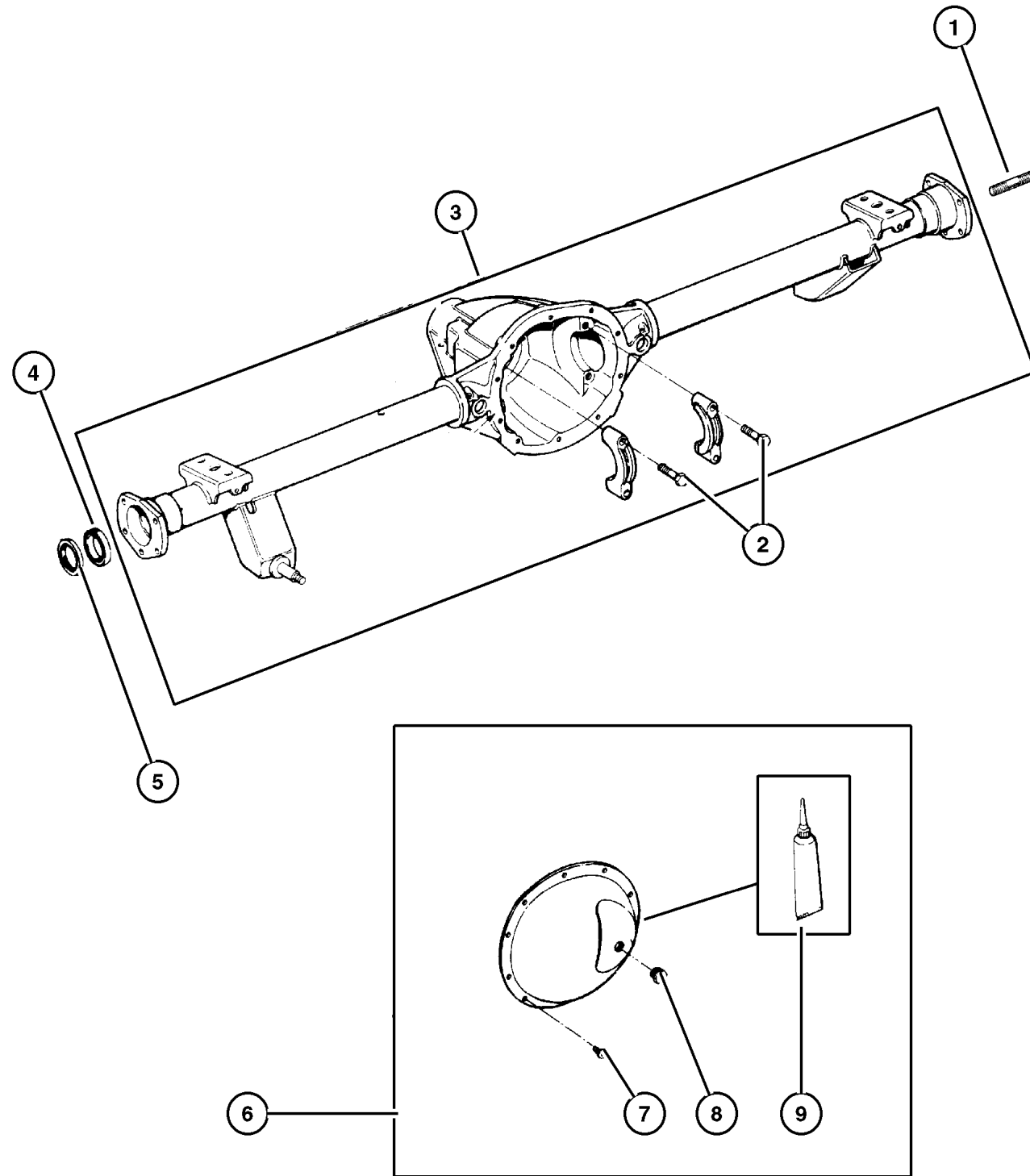
JEEP WRANGLER (TJ)

SERIES	LINE	BODY	ENGINE	TRANSMISSION
L=Low Line	J = Wrangler 4WD U = Wrangler 4WD (RHD)	77 = 93.4 WB	EPE, EP0 = 2.5L Power Tech ERH, ER0 = 4.0L Power Tech	DGG, DGD = 32RH 3 Spd. Auto. DDQ = 5 Spd. Manual DG0 = All Auto. Trans. DBB =All Manual Trans.

AR = Use as required - = Non illustrated part # = New this model year

June 7, 2002

Housing,Rear Axle,Dana 44/226MM [DRK] 1999 TJ
Figure 003-220



ITEM	PART NUMBER	QTY	LINE	SERIES	BODY	DESCRIPTION
------	-------------	-----	------	--------	------	-------------

Note:Sales Codes;
[DRK]=Axle - Rear,Dana 44/226MM

1	J099 4313	8	J			STUD Axle Housing to Backing Plate, Mounting
		1	U			Axle Housing to Backing Plate, Mounting
2	J400 6553	4	J			BOLT, Differential Carrier Cap Retaining
		4	U			Carrier Cap Retaining
3						HOUSING, Axle
	4882 840	1	J			Includes Items 1,2
	4882 348	1	U			Includes Items 1,2
4						BEARING, Axle
	8350 3064	2	J			
		2	U			
5						SEAL, Axle Drive Shaft
	8350 3063	2	J			
		2	U			
6						COVER, Differential
	8350 5549	1	J			
		1	U			
7						SCREW, Pan Head, .312-18x.56
	J400 6708	10	J			Differential Cover, Mounting
		10	U			Differential Cover, Mounting
8						PLUG, Differential Cover
	5252 504	1	J			
		1	U			
9	5010 884AA	1				SEALANT, RTV

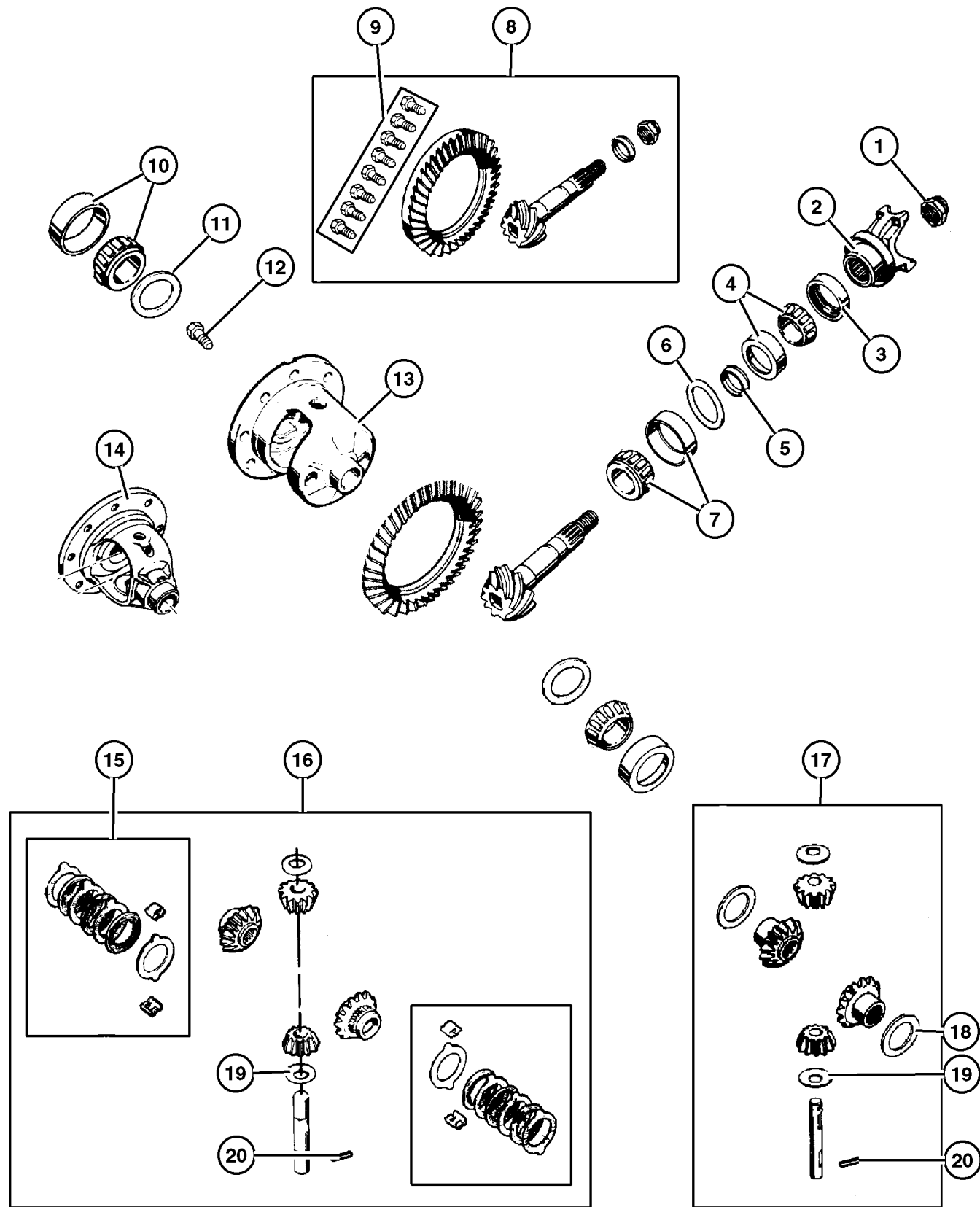
JEEP WRANGLER (TJ)

SERIES	LINE	BODY	ENGINE	TRANSMISSION
L=Low Line	J = Wrangler 4WD U = Wrangler 4WD (RHD)	77 = 93.4 WB	EPE, EP0 = 2.5L Power Tech ERH, ER0 = 4.0L Power Tech	DGG, DGD = 32RH 3 Spd. Auto. DDQ = 5 Spd. Manual DG0 = All Auto. Trans. DBB =All Manual Trans.

AR = Use as required - = Non illustrated part # = New this model year

June 7, 2002

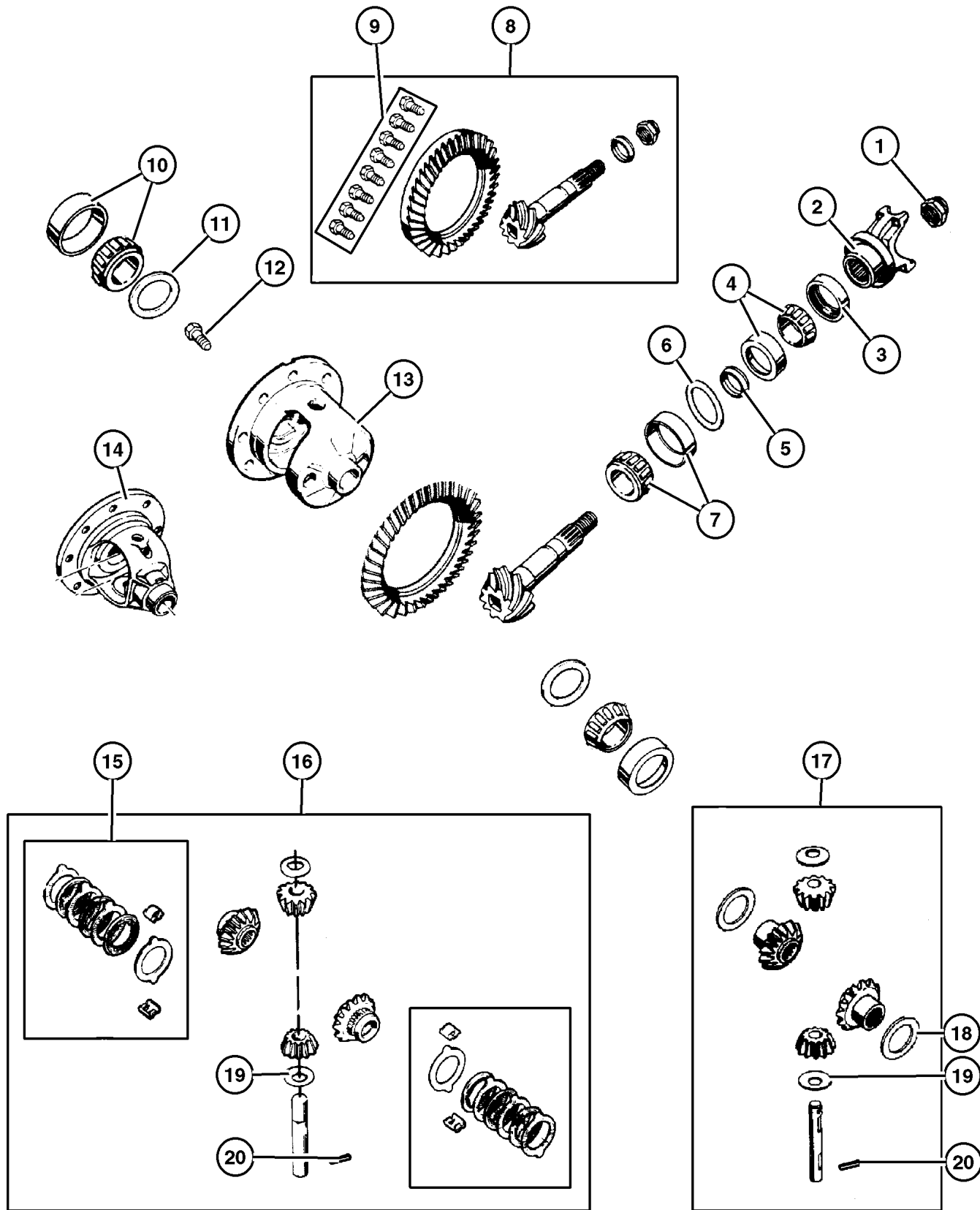
**Differential, With and Without Trac-Lok [DSA] Dana 35/194MM [DRJ] 1997 TJ
Figure 003-230**



ITEM	PART NUMBER	QTY	LINE	SERIES	BODY	DESCRIPTION
Note: Sales Codes;						
[DMD]=Axle Ratio - 3.55						
[DME]=Axle Ratio - 3.73						
[DMF]=Axle Ratio - 4.11						
[DMM]=Axle Ratio - 3.07						
[DRJ]=Axle - Rear, Dana 35/194MM						
[DSA]=Axle - Anti-Spin Differential						
1	4720 895	1	J			NUT, Pinion Yoke
2	8350 3318	1	J			YOKE, Axle
3	8350 4946	1	J			SEAL, Drive Pinion
4	5252 508	1	J			BEARING, Drive Pinion, Bearing and Cup, Front
5	J317 5779	1	J			SPACER, Drive Pinion Bearing, Crush
6	4720 922	1	J			SHIM KIT, Pinion Shaft
7	5252 507	1	J			BEARING, Drive Pinion, Bearing and Cup, Rear
8						GEAR KIT, Ring And Pinion
	8350 5472	1	J			[DMM]
	4761 676	1	J			[DMD]
	4761 678	1	J			[DME]
	8350 4938	1	J			[DMF]
9	4720 891	1	J			BOLT KIT, Consists of 10-5252503 Drive Gear Screws
10	J812 6500	1	J			BEARING, Differential, Consists of 2 Bearings and 2 Cups
11	8350 3004	1	J			SHIM KIT, Differential
12	5252 503	1	J			SCREW, Drive Gear, Ring Gear, Mounting
13						CASE, Differential
	5252 496	1	J			[DMD,DME,DMF] with [DSA] with Internal Parts
	5252 512	1	J			[DMM] with [DSA] with Internal Parts
14						CASE, Differential
	4740 834	1	J			[DMD,DME,DMF]without [DSA] with Internal Parts
	4740 833	1	J			[DMM] without [DSA] with Internal Parts
15	5252 506	1	J			DISC AND PLATE KIT, Differential, with [DSA]
16	4773 010	1	J			GEAR KIT, Center Differential, with [DSA]
17	4740 670	1	J			GEAR KIT, Center Differential, without [DSA]
18	J812 0832	2	J			WASHER, Differential Side Gear, without [DSA]
19	J812 0831	2	J			WASHER, Flat, with or without [DSA] Pinion Thrust
20	5252 502	1	J			PIN, Differential Shaft, with or without [DSA]

JEEP WRANGLER (TJ)		BODY	ENGINE	TRANSMISSION
SERIES	LINE	77 = 93.4 WB	EPE, EP0 = 2.5L Power Tech ERH, ER0 = 4.0L Power Tech	DGG, DGD = 32RH 3 Spd. Auto. DDQ = 5 Spd. Manual DGO = All Auto. Trans. DBB = All Manual Trans.
L=Low Line	J = Wrangler 4WD U = Wrangler 4WD (RHD)			

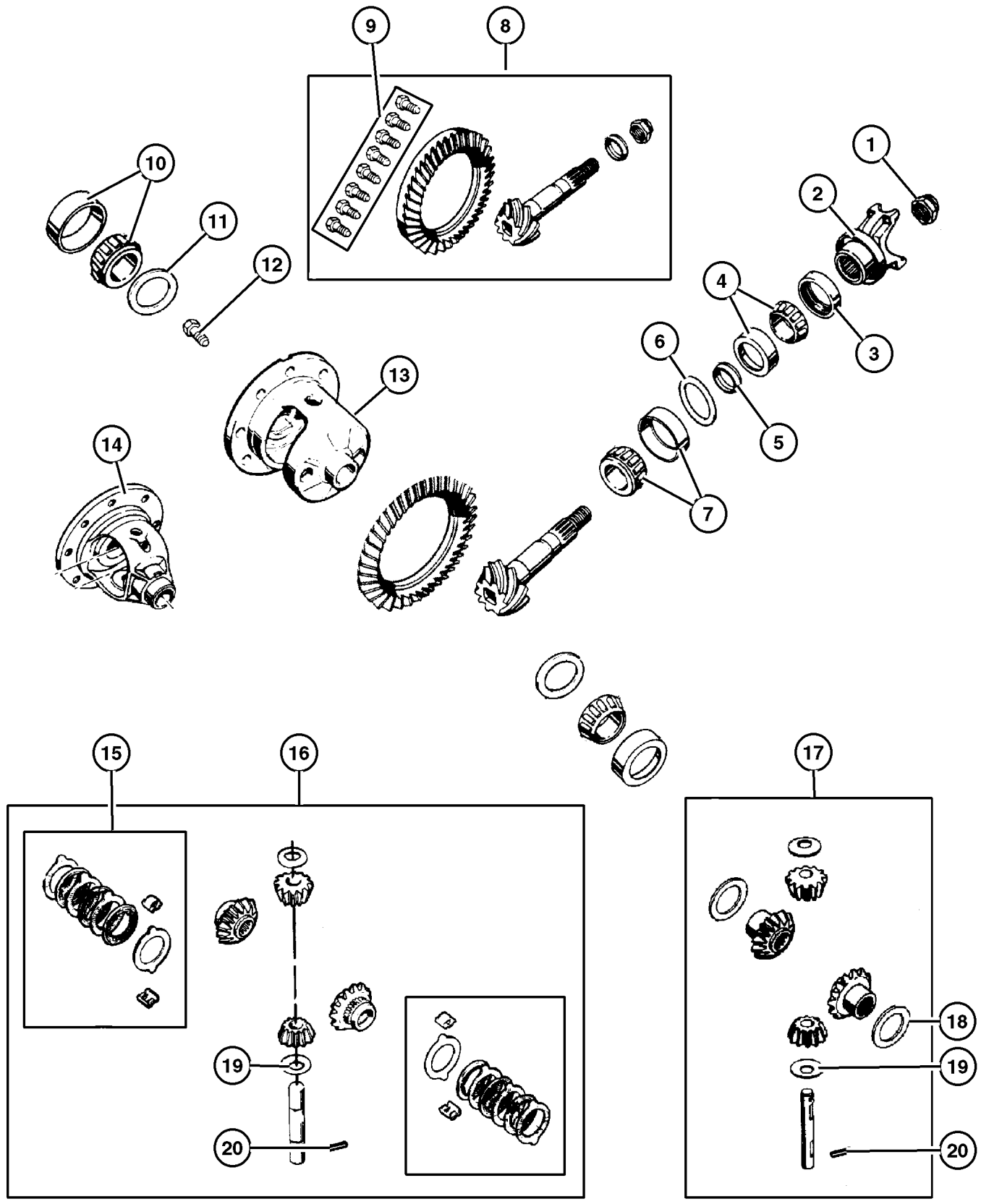
**Differential, With and Without Trac-Lok [DSA] Dana 35/194MM [DRJ] 1998 TJ
Figure 003-230**



ITEM	PART NUMBER	QTY	LINE	SERIES	BODY	DESCRIPTION
Note: Sales Codes;						
[DME]=Axle Ratio - 3.73						
[DMF]=Axle Ratio - 4.11						
[DMM]=Axle Ratio - 3.07						
[DRJ]=Axle - Rear, Dana 35/194MM						
[DSA]=Axle - Anti-Spin Differential						
1	4720 895	1	J			NUT, Pinion Yoke
2	4897 025AA	1	J			YOKE, Axle
3	8350 4946	1	J			SEAL, Drive Pinion
4	5252 508	1	J			BEARING, Drive Pinion, Bearing and Cup, Front
5	J317 5779	1	J			SPACER, Drive Pinion Bearing, Crush
6	4720 922	1	J			SHIM KIT, Pinion Shaft
7	5252 507	1	J			BEARING, Drive Pinion, Bearing and Cup, Rear
8						GEAR KIT, Ring And Pinion
	4761 678	1	J			[DME]
	8350 4938	1	J			[DMF]
	8350 5472	1	J			[DMM]
9	4720 891	1	J			BOLT KIT, Consists of 10-5252503 Drive Gear Screws
10	J812 6500	1	J			BEARING, Differential, Consists of 2 Bearings and 2 Cups
11	8350 3004	1	J			SHIM KIT, Differential
12	5252 503	10	J			SCREW, Drive Gear, Ring Gear, Mounting
13						CASE, Differential
	5252 496	1	J			[DME,DMF] with [DSA] with internal Parts
	5252 512	1	J			[DMM] with [DSA] with Internal Parts
14						CASE, Differential
	4740 834	1	J			[DME,DMF] without [DSA] with internal Parts
	4740 833	1	J			[DMM] without [DSA] with internal Parts
15	5252 506	1	J			DISC AND PLATE KIT, Differential, with [DSA]
16	4773 010	1	J			GEAR KIT, Center Differential, with [DSA]
17	4740 670	1	J			GEAR KIT, Center Differential, without [DSA]
18	J812 0832	2	J			WASHER, Differential Side Gear, without [DSA]
19	J812 0831	2	J			WASHER, Flat, with or without [DSA] Pinion Thrust
20	5252 502	1	J			PIN, Differential Shaft, with or without [DSA]

JEEP WRANGLER (TJ)		BODY	ENGINE	TRANSMISSION
SERIES	LINE	77 = 93.4 WB	EPE, EP0 = 2.5L Power Tech ERH, ER0 = 4.0L Power Tech	DGG, DGD = 32RH 3 Spd. Auto. DDQ = 5 Spd. Manual DG0 = All Auto. Trans. DBB = All Manual Trans.
L=Low Line	J = Wrangler 4WD U = Wrangler 4WD (RHD)			

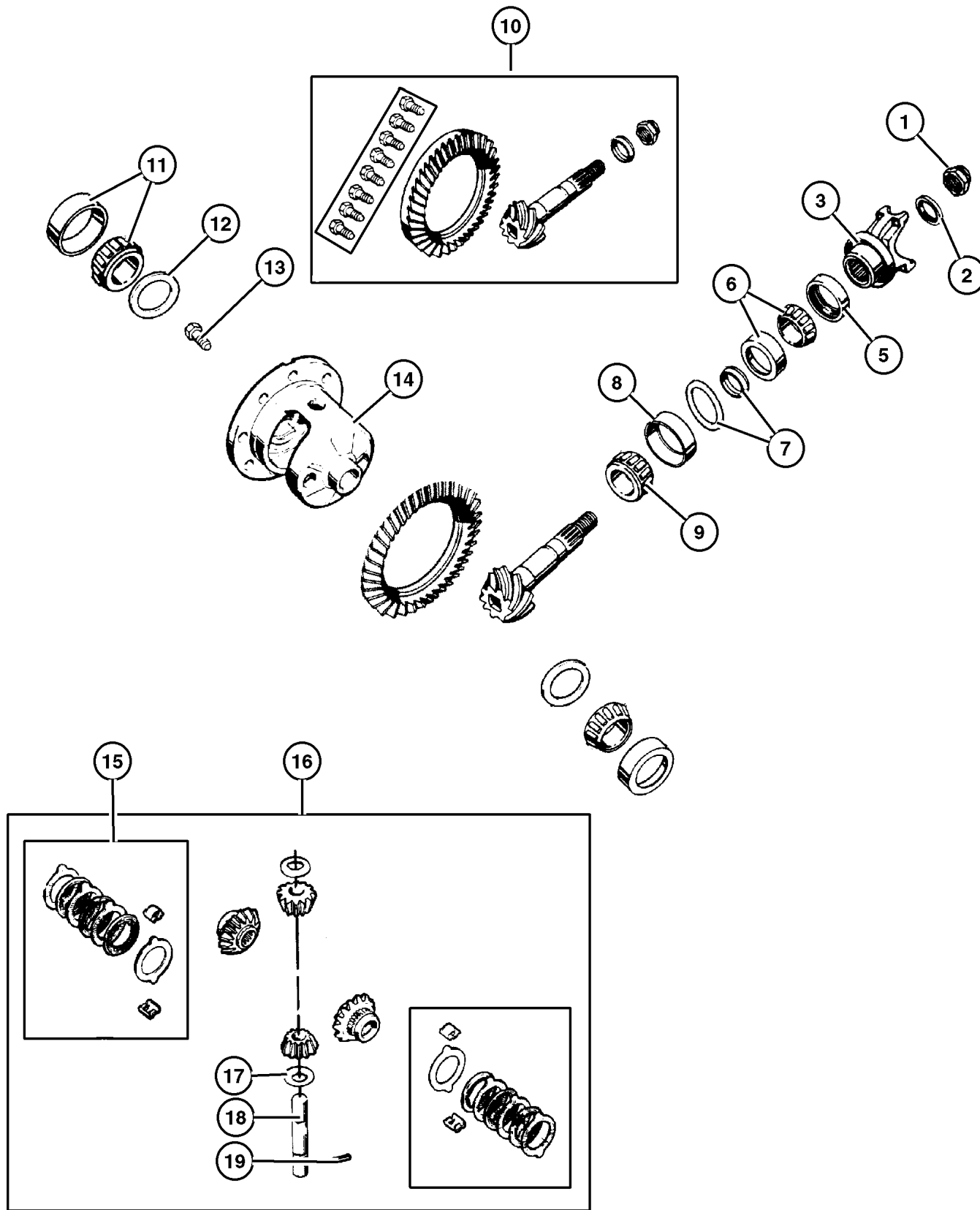
**Differential, With and Without Trac-Lok [DSA] Dana 35/194MM [DRJ] 1999 TJ
Figure 003-230**



ITEM	PART NUMBER	QTY	LINE	SERIES	BODY	DESCRIPTION
Note: Sales Codes;						
[DME]=Axle Ratio - 3.73						
[DMF]=Axle Ratio - 4.11						
[DMM]=Axle Ratio - 3.07						
[DRJ]=Axle - Rear, Dana 35/194MM						
[DSA]=Axle - Anti-Spin Differential						
1	4720 895	1	J			NUT, Pinion Yoke
2	4897 025AA	1	J			YOKE, Axle
3	8350 4946	1	J			SEAL, Drive Pinion
4	5252 508	1	J			BEARING, Drive Pinion, Bearing and Cup, Front
5	J317 5779	1	J			SPACER, Drive Pinion Bearing, Crush
6	4720 922	1	J			SHIM KIT, Pinion Shaft
7	5252 507	1	J			BEARING, Drive Pinion, Bearing and Cup, Rear
8						GEAR KIT, Ring And Pinion
	4761 678	1	J			[DME]
	8350 4938	1	J			[DMF]
	8350 5472	1	J			[DMM]
9	4720 891	1	J			BOLT KIT, Consists of 10-5252503 Drive Gear Screws
10	J812 6500	1	J			BEARING, Differential, Consists of 2 Bearings and 2 Cups
11	8350 3004	1	J			SHIM KIT, Differential
12	5252 503	10	J			SCREW, Drive Gear, Ring Gear, Mounting
13						CASE, Differential
	5252 496	1	J			[DME,DMF] with [DSA] with Internal Parts
	5252 512	1	J			[DMM] with [DSA] with Internal Parts
14						CASE, Differential
	4740 834	1	J			[DME,DMF]without [DSA] with Internal Parts
	4740 833	1	J			[DMM] without [DSA] with Internal Parts
15	5252 506	1	J			DISC AND PLATE KIT, Differential, with [DSA]
16	4773 010	1	J			GEAR KIT, Center Differential, with [DSA]
17	4740 670	1	J			GEAR KIT, Center Differential, without [DSA]
18	J812 0832	2	J			WASHER, Differential Side Gear, without [DSA]
19	J812 0831	2	J			WASHER, Flat, with or without [DSA] Pinion Thrust
20	5252 502	1	J			PIN, Differential Shaft, with or without [DSA]

JEEP WRANGLER (TJ)		BODY	ENGINE	TRANSMISSION
SERIES	LINE	77 = 93.4 WB	EPE, EP0 = 2.5L Power Tech ERH, ER0 = 4.0L Power Tech	DGG, DGD = 32RH 3 Spd. Auto. DDQ = 5 Spd. Manual DG0 = All Auto. Trans. DBB = All Manual Trans.
L=Low Line	J = Wrangler 4WD U = Wrangler 4WD (RHD)			

Differential,With Trac-Lok [DSA] Dana 44/226MM [DRK] 1997 TJ
Figure 003-240



ITEM	PART NUMBER	QTY	LINE	SERIES	BODY	DESCRIPTION
Note:Sales Codes;						
[DME]=Axle Ratio - 3.73						
[DMF]=Axle Ratio - 4.11						
[DMM]=Axle Ratio - 3.07						
[DRK]=Axle - Rear,Dana 44/226MM						
[DSA]=Axle - Anti-Spin Differential						
1						NUT, Pinion Yoke
	1791 575	1	J			
		1	U			
2						WASHER, Pinion Yoke
	1791 576	1	J			
		1	U			
3						YOKE, Axle
	8350 3388	1	J			
		1	U			
-4						SLINGER, Drive Pinion, (NOT REQUIRED)
5						SEAL, Drive Pinion
	4746 772	1	J			
		1	U			
6						BEARING, Drive Pinion
	J080 7266	1	J			Bearing and Cup, Front
	J812 4052	1	U			Bearing and Cup, Front
7						SHIM KIT, Pinion Shaft
	J812 9221	1	J			
		1	U			
8						CUP, Bearing Inner
	0698 413	1	J			Rear
		1	U			Rear
9						BEARING, Drive Pinion
	J080 7266	1	J			Rear
		1	U			Rear
10						GEAR KIT, Ring And Pinion
	4882 352	1	U			[DME]
	4882 844	1	U			[DMF]
	8350 4197	1	U			[DMM]
11						BEARING, Differential Case
	4746 733	1	J			Consists of 2 Bearings and 2 Cups
		1	U			Consists of 2 Bearings and 2 Cups
12						SHIM KIT, Differential
	J812 9222	1	J			
		1	U			
13						SCREW, Drive Gear
	5252 503	10	J			Ring Gear, Mounting

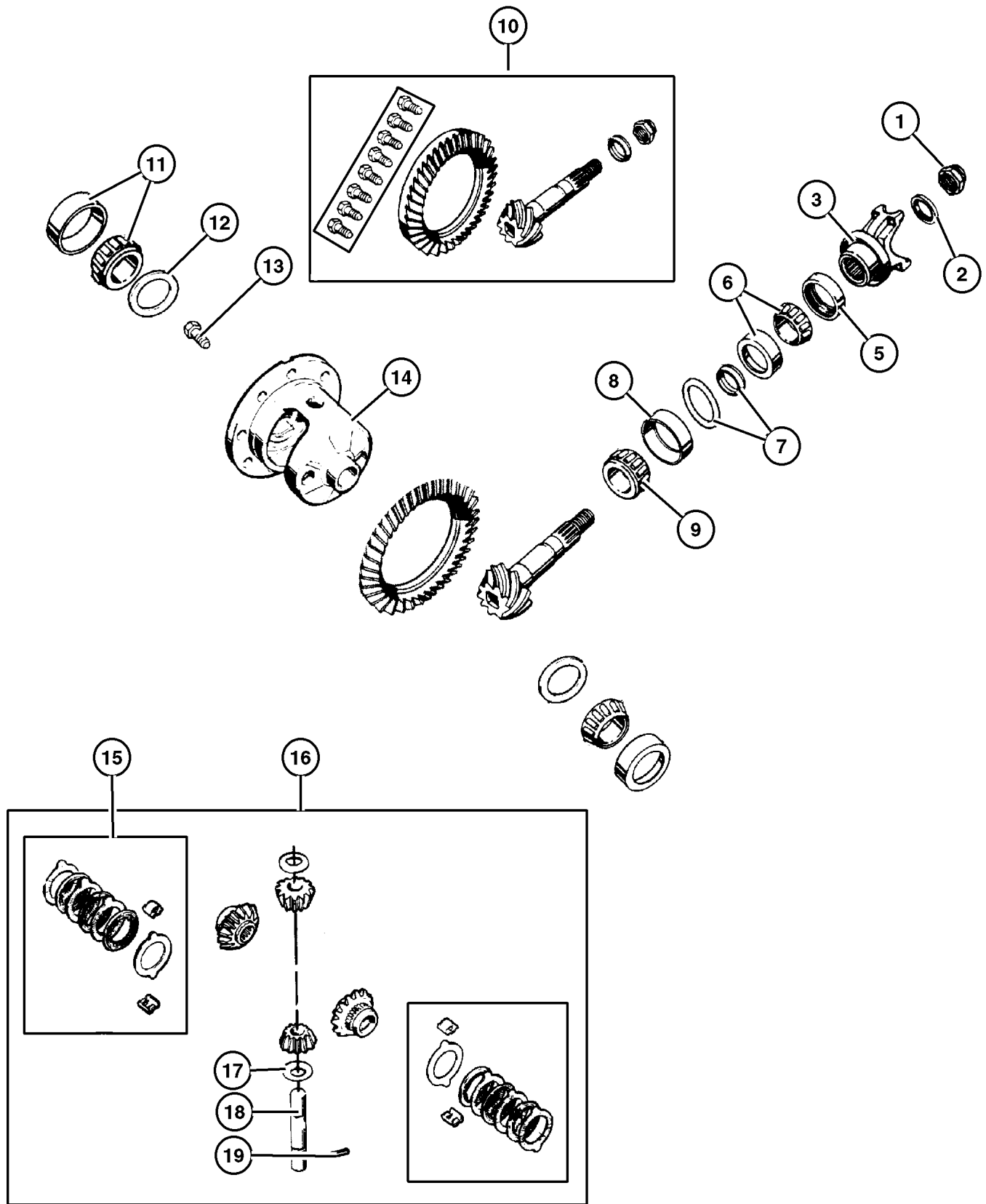
JEEP WRANGLER (TJ)

SERIES	LINE	BODY	ENGINE	TRANSMISSION
L=Low Line	J = Wrangler 4WD U = Wrangler 4WD (RHD)	77 = 93.4 WB	EPE, EP0 = 2.5L Power Tech ERH, ER0 = 4.0L Power Tech	DGG, DGD = 32RH 3 Spd. Auto. DDQ = 5 Spd. Manual DGO = All Auto. Trans. DBB =All Manual Trans.

AR = Use as required - = Non illustrated part # = New this model year

June 7, 2002

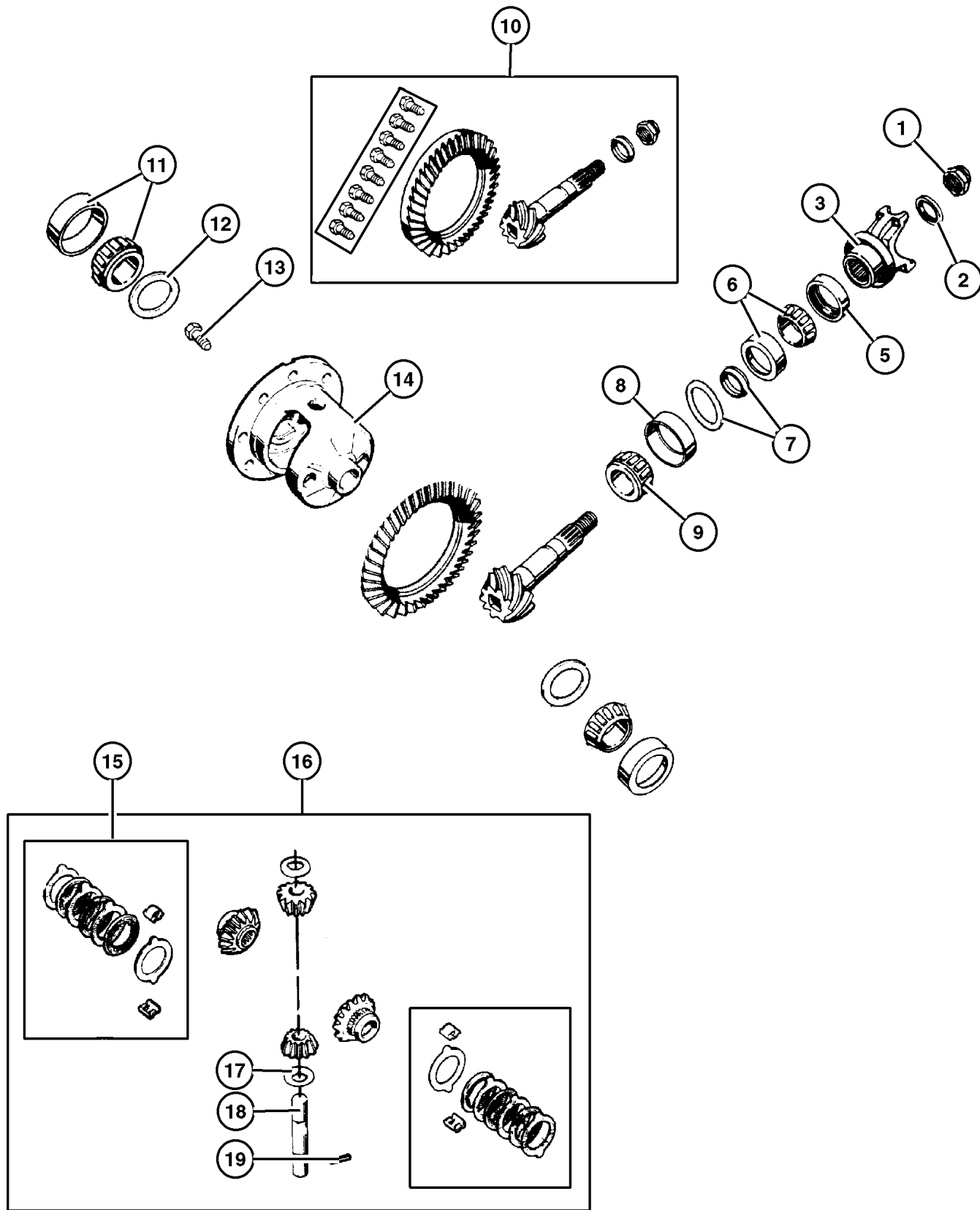
Differential, With Trac-Lok [DSA] Dana 44/226MM [DRK] 1997 TJ
 Figure 003-240



ITEM	PART NUMBER	QTY	LINE	SERIES	BODY	DESCRIPTION
		10	U			Ring Gear, Mounting
14	8350 5431	1	J			CASE, Differential with Internal Parts
15	J099 4345	1	J			DISC AND PLATE KIT, Differential
16	8350 5432	1	J			GEAR KIT, Center Differential
17	1791 561	2	J			WASHER, Pinion Thrust
18	8350 3069	1	J			SHAFT, Differential
19	1791 563	1	J			PIN, Differential Shaft

JEEP WRANGLER (TJ)
 SERIES LINE BODY ENGINE TRANSMISSION
 L=Low Line J = Wrangler 4WD 77 = 93.4 WB EPE, EP0 = 2.5L Power Tech DGG, DGD = 32RH 3 Spd. Auto.
 U = Wrangler 4WD (RHD) ERH, ER0 = 4.0L Power Tech DDQ = 5 Spd. Manual
 DG0 = All Auto. Trans.
 DBB =All Manual Trans.

Differential, With Trac-Lok [DSA] Dana 44/226MM [DRK] 1998 TJ
Figure 003-240



ITEM	PART NUMBER	QTY	LINE	SERIES	BODY	DESCRIPTION
Note: Sales Codes;						
[DME]=Axle Ratio - 3.73						
[DMM]=Axle Ratio - 3.07						
[DRK]=Axle - Rear, Dana 44/226MM						
[DSA]=Axle - Anti-Spin Differential						
1						NUT, Pinion Yoke
	1791 575	1	J			
		1	U			
2						WASHER, Pinion Yoke
	1791 576	1	J			
		1	U			
3						YOKE, Axle
	4897 026AA	1	J			
		1	U			
-4						SLINGER, Drive Pinion, (NOT REQUIRED)
5						SEAL, Drive Pinion
	4746 772	1	J			
		1	U			
6						BEARING, Drive Pinion Bearing and Cup, Front Bearing and Cup, Front
	J812 4052	1	J			
		1	U			
7						SHIM KIT, Pinion Shaft
	J812 9221	1	J			
		1	U			
8						CUP, Bearing Inner
	0698 413	1	J			Rear
		1	U			Rear
9						BEARING, Drive Pinion
	J812 4052	1	J			Rear
		1	U			Rear
10						GEAR KIT, Ring And Pinion
	4882 352	1	J			[DME]
		1	U			[DME]
	8350 4197	1	U			[DMM]
11						BEARING, Differential Case
	4746 733	1	J			Consists of 2 Bearings and 2 Cups
		1	U			Consists of 2 Bearings and 2 Cups
12						SHIM KIT, Differential
	J812 9222	1	J			
		1	U			
13						SCREW, Drive Gear
	5252 503	10	J			Ring Gear, Mounting
		10	U			Ring Gear, Mounting
14						CASE, Differential

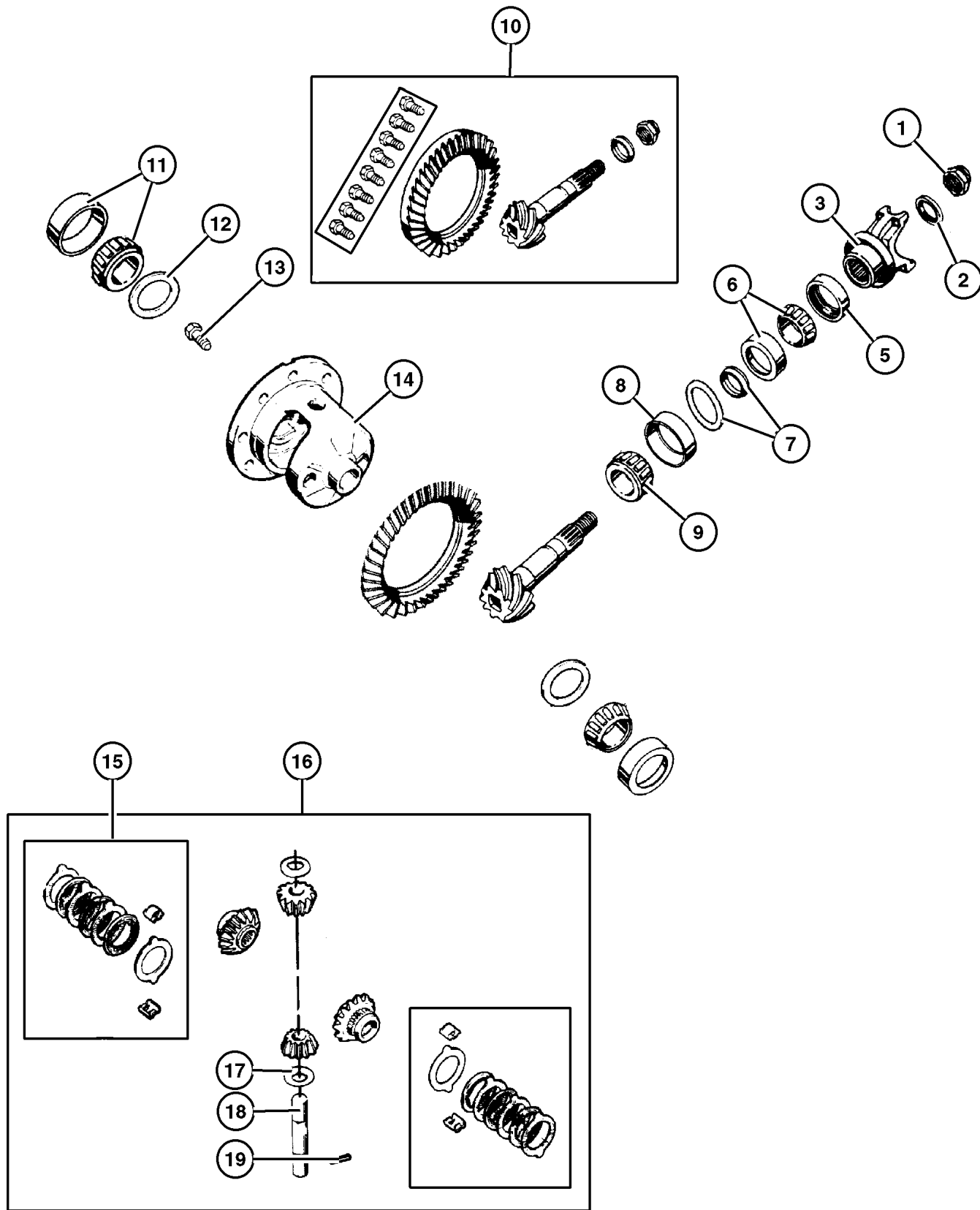
JEEP WRANGLER (TJ)

SERIES	LINE	BODY	ENGINE	TRANSMISSION
L=Low Line	J = Wrangler 4WD U = Wrangler 4WD (RHD)	77 = 93.4 WB	EPE, EP0 = 2.5L Power Tech ERH, ER0 = 4.0L Power Tech	DGG, DGD = 32RH 3 Spd. Auto. DDQ = 5 Spd. Manual DGO = All Auto. Trans. DBB = All Manual Trans.

AR = Use as required - = Non illustrated part # = New this model year

June 7, 2002

Differential, With Trac-Lok [DSA] Dana 44/226MM [DRK] 1998 TJ
Figure 003-240



ITEM	PART NUMBER	QTY	LINE	SERIES	BODY	DESCRIPTION
	8350 5431	1	J			with Internal Parts
		1	U			with Internal Parts
15	J099 4345	1	J			DISC AND PLATE KIT, Differential
		1	U			
16						GEAR KIT, Center Differential
	8350 5432	1	J			
		1	U			
17						WASHER, Pinion Thrust
	1791 561	2	J			
		2	U			
18						SHAFT, Differential
	8350 3069	1	J			
		1	U			
19						PIN, Differential Shaft
	5252 502	1	J			
		1	U			

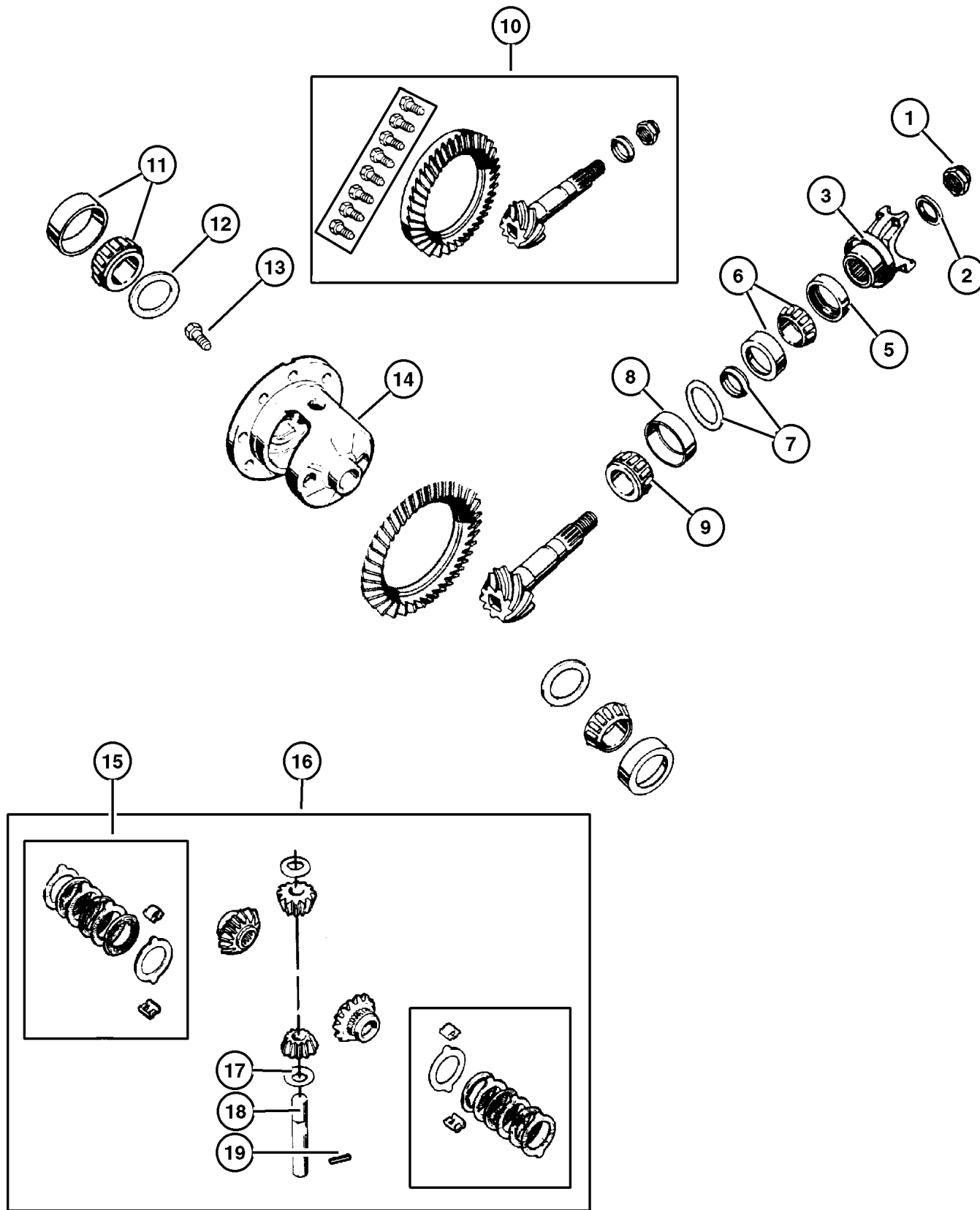
JEEP WRANGLER (TJ)

SERIES	LINE	BODY	ENGINE	TRANSMISSION
L=Low Line	J = Wrangler 4WD U = Wrangler 4WD (RHD)	77 = 93.4 WB	EPE, EP0 = 2.5L Power Tech ERH, ER0 = 4.0L Power Tech	DGG, DGD = 32RH 3 Spd. Auto. DDQ = 5 Spd. Manual DGO = All Auto. Trans. DBB =All Manual Trans.

AR = Use as required - = Non illustrated part # = New this model year

June 7, 2002

Differential With Trac-Lok [DSA] Dana 44/226MM [DRK] 1999 TJ
Figure 003-240



ITEM	PART NUMBER	QTY	LINE	SERIES	BODY	DESCRIPTION
Note:Sales Codes;						
[DME]=Axle Ratio - 3.73						
[DMM]=Axle Ratio - 3.07						
[DRK]=Axle - Rear,Dana 44/226MM						
[DSA]=Axle - Anti-Spin Differential						
1						NUT, Pinion Yoke
	1791 575	1	J			
		1	U			
2						WASHER, Pinion Yoke
	1791 576	1	J			
		1	U			
3						YOKE, Axle
	4897 026AA	1	J			
		1	U			
-4						SLINGER, Drive Pinion, (NOT REQUIRED)
5						SEAL, Drive Pinion
	4746 772	1	J			
		1	U			
6						BEARING, Drive Pinion Bearing and Cup, Front Bearing and Cup, Front
	J812 4052	1	J			
		1	U			
7						SHIM KIT, Pinion Shaft
	J812 9221	1	J			
		1	U			
8						CUP, Bearing Inner
	0698 413	1	J			Rear
		1	U			Rear
9						BEARING, Drive Pinion
	J080 7266	1	J			Rear
		1	U			Rear
10						GEAR KIT, Ring And Pinion
	4882 352	1	J			[DME]
		1	U			[DME]
	8350 4197	1	U			[DMM]
11						BEARING, Differential Case
	4746 733	1	J			Consists of 2 Bearings and 2 Cups
		1	U			Consists of 2 Bearings and 2 Cups
12						SHIM KIT, Differential
	J812 9222	1	J			
		1	U			
13						SCREW, Drive Gear
	5252 503	10	J			Ring Gear, Mounting
		10	U			Ring Gear, Mounting
14						CASE, Differential

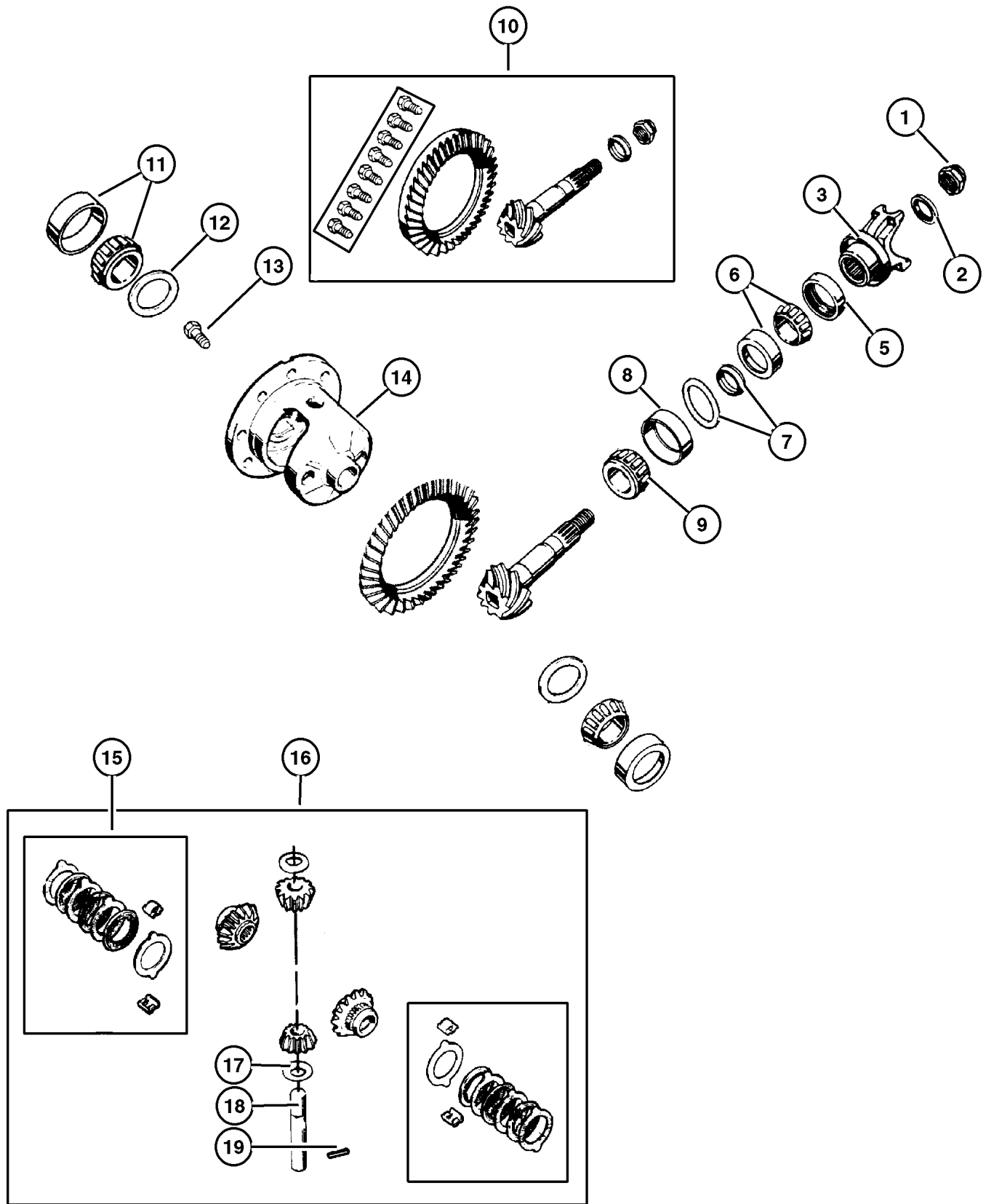
JEEP WRANGLER (TJ)

SERIES	LINE	BODY	ENGINE	TRANSMISSION
L=Low Line	J = Wrangler 4WD U = Wrangler 4WD (RHD)	77 = 93.4 WB	EPE, EP0 = 2.5L Power Tech ERH, ER0 = 4.0L Power Tech	DGG, DGD = 32RH 3 Spd. Auto. DDQ = 5 Spd. Manual DG0 = All Auto. Trans. DBB =All Manual Trans.

AR = Use as required - = Non illustrated part # = New this model year

June 7, 2002

Differential With Trac-Lok [DSA] Dana 44/226MM [DRK] 1999 TJ
Figure 003-240



ITEM	PART NUMBER	QTY	LINE	SERIES	BODY	DESCRIPTION
	8350 5431	1	J			with Internal Parts
		1	U			with Internal Parts
15	J099 4345	1	J			DISC AND PLATE KIT, Differential
		1	U			
16						GEAR KIT, Center Differential
	8350 5432	1	J			
		1	U			
17						WASHER, Pinion Thrust
	1791 561	2	J			
		2	U			
18						SHAFT, Differential
	8350 3069	1	J			
		1	U			
19						PIN, Differential Shaft
	5252 502	1	J			
		1	U			

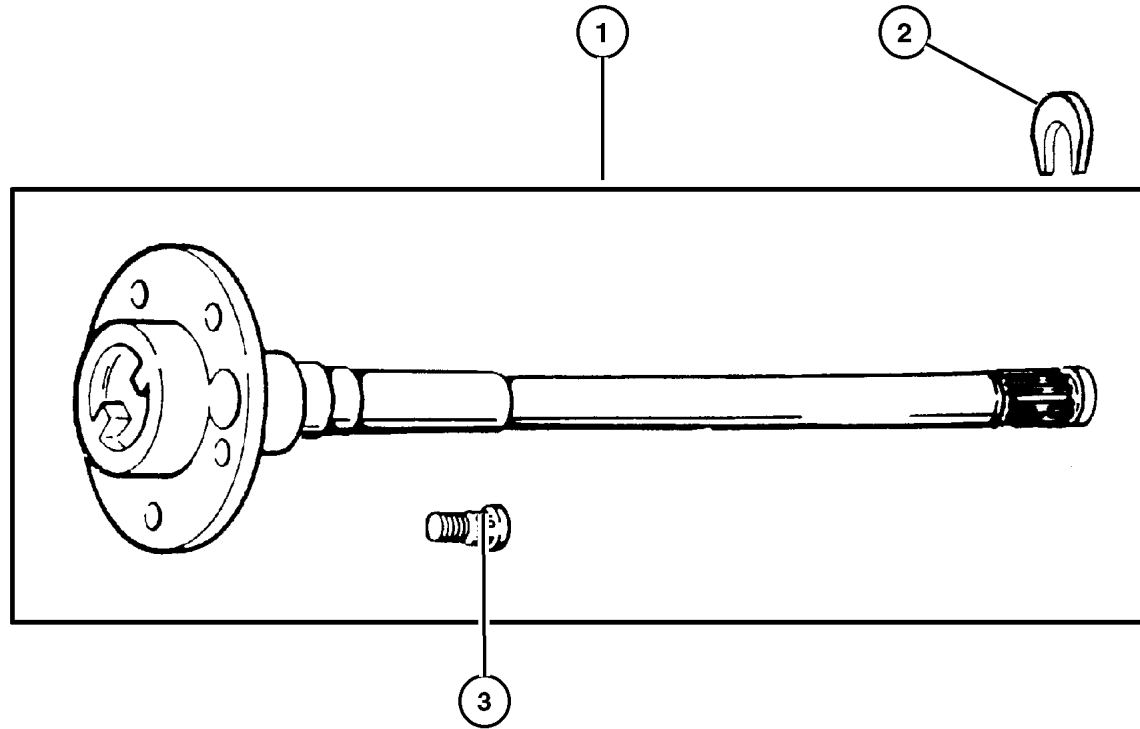
JEEP WRANGLER (TJ)
 SERIES LINE BODY ENGINE TRANSMISSION
 L=Low Line J = Wrangler 4WD 77 = 93.4 WB EPE, EP0 = 2.5L Power Tech DGG, DGD = 32RH 3 Spd. Auto.
 U = Wrangler 4WD (RHD) ERH, ER0 = 4.0L Power Tech DDQ = 5 Spd. Manual
 DG0 = All Auto. Trans.
 DBB =All Manual Trans.

AR = Use as required - = Non illustrated part # = New this model year

June 7, 2002

Shaft,Rear Axle,Dana 35/194MM [DRJ] 1997 TJ
Figure 003-410

ITEM	PART NUMBER	QTY	LINE	SERIES	BODY	DESCRIPTION
Note:Sales Codes;						
[DRJ]=Axle - Rear,Dana 35/194MM						
1						SHAFT, Axle
	4713 192	1	J			Right
	4713 193	1	J			Left
2	5252 505	2	J			RETAINER, Axle Shaft, Right or Left
3	8350 3053	2	J			STUD, Hub, Wheel



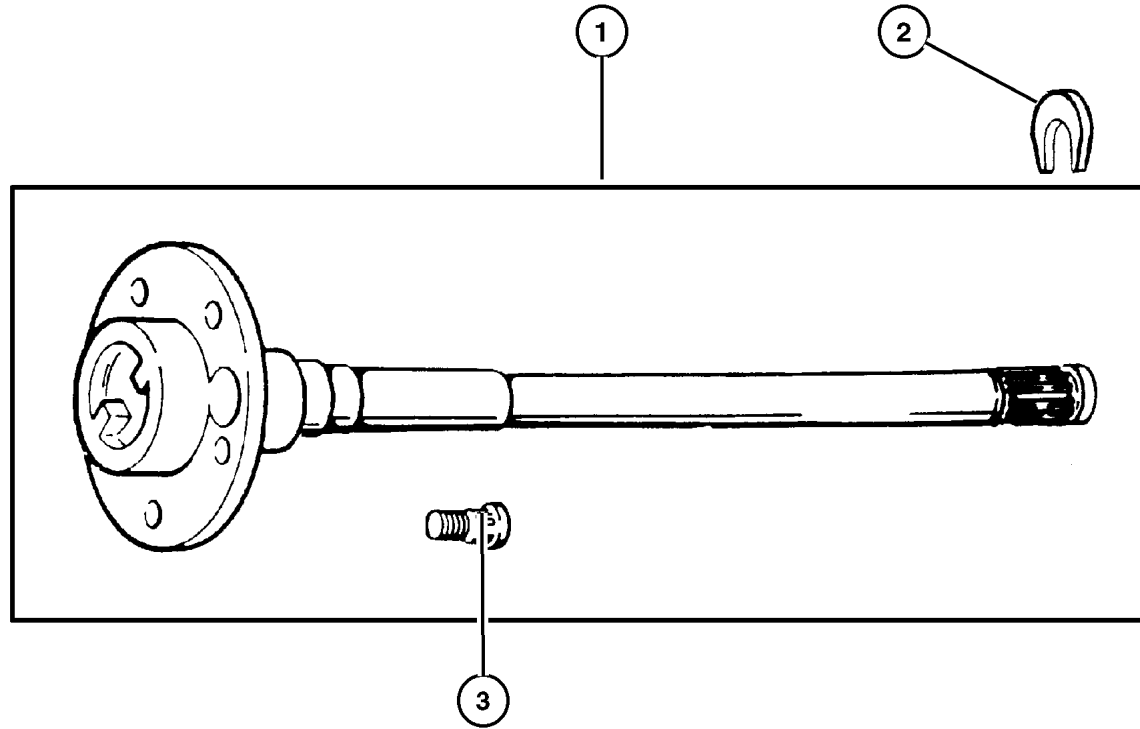
JEEP WRANGLER (TJ)				
SERIES	LINE	BODY	ENGINE	TRANSMISSION
L=Low Line	J = Wrangler 4WD U = Wrangler 4WD (RHD)	77 = 93.4 WB	EPE, EP0 = 2.5L Power Tech ERH, ER0 = 4.0L Power Tech	DGG, DGD = 32RH 3 Spd. Auto. DDQ = 5 Spd. Manual DG0 = All Auto. Trans. DBB =All Manual Trans.

AR = Use as required - = Non illustrated part # = New this model year

June 7, 2002

Shaft,Rear Axle,Dana 35/194MM [DRJ] 1998 TJ
Figure 003-410

ITEM	PART NUMBER	QTY	LINE	SERIES	BODY	DESCRIPTION
Note:Sales Codes;						
[DRJ]=Axle - Rear,Dana 35/194MM						
1						SHAFT, Axle
	4713 192	1	J			Right
	4713 193	1	J			Left
2	5252 505	1	J			RETAINER, Axle Shaft, Right or Left
3	8350 3053	2	J			STUD, Hub, Wheel



JEEP WRANGLER (TJ)				
SERIES	LINE	BODY	ENGINE	TRANSMISSION
L=Low Line	J = Wrangler 4WD U = Wrangler 4WD (RHD)	77 = 93.4 WB	EPE, EP0 = 2.5L Power Tech ERH, ER0 = 4.0L Power Tech	DGG, DGD = 32RH 3 Spd. Auto. DDQ = 5 Spd. Manual DG0 = All Auto. Trans. DBB =All Manual Trans.

AR = Use as required - = Non illustrated part # = New this model year

June 7, 2002

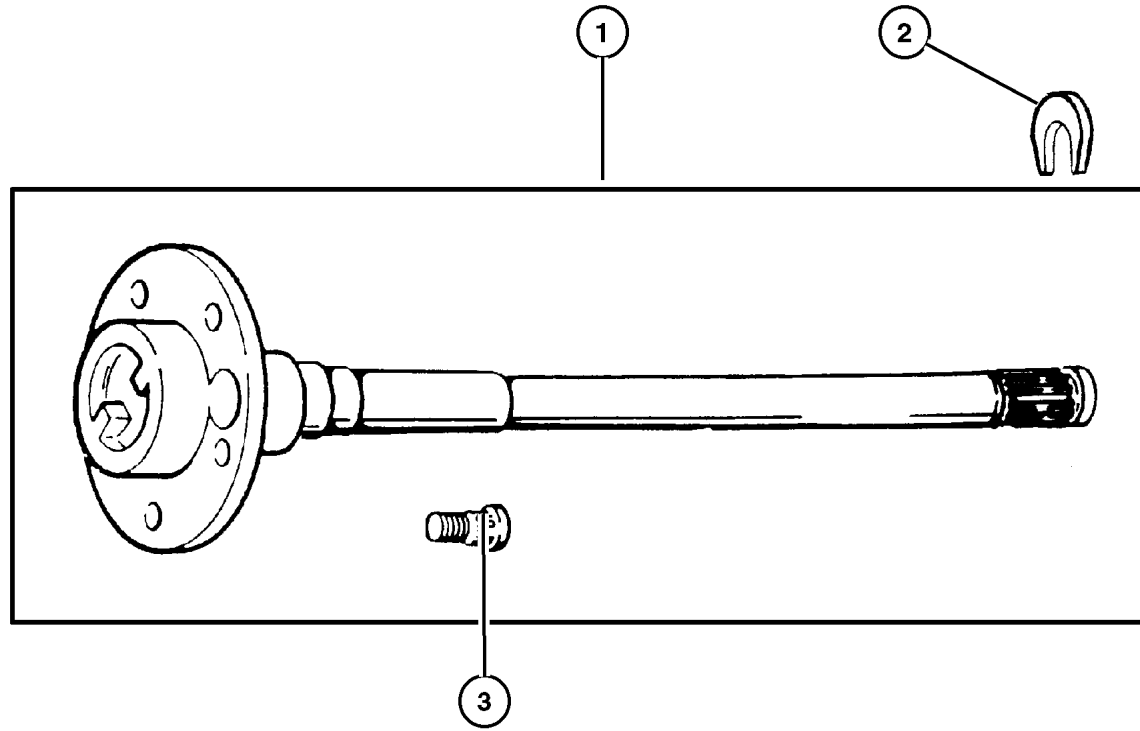
Shaft,Rear Axle,Dana 35/194MM [DRJ] 1999 TJ
Figure 003-410

ITEM	PART NUMBER	QTY	LINE	SERIES	BODY	DESCRIPTION
------	-------------	-----	------	--------	------	-------------

Note:Sales Codes;

[DRJ]=Axle - Rear,Dana 35/194MM

1						SHAFT, Axle
	4713 192	1	J			Right
	4713 193	1	J			Left
2	5252 505	1	J			RETAINER, Axle Shaft, Right or Left
3	5011 312AA	10	J			STUD, Hub, Wheel



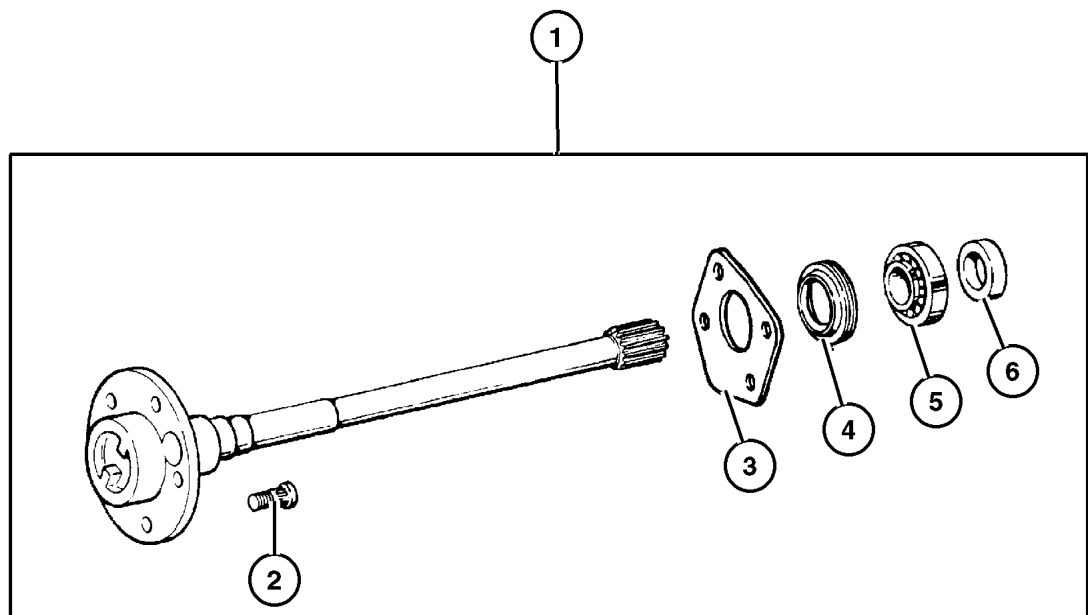
JEEP WRANGLER (TJ)

SERIES	LINE	BODY	ENGINE	TRANSMISSION
L=Low Line	J = Wrangler 4WD U = Wrangler 4WD (RHD)	77 = 93.4 WB	EPE, EP0 = 2.5L Power Tech ERH, ER0 = 4.0L Power Tech	DGG, DGD = 32RH 3 Spd. Auto. DDQ = 5 Spd. Manual DG0 = All Auto. Trans. DBB =All Manual Trans.

AR = Use as required - = Non illustrated part # = New this model year

June 7, 2002

Shaft,Rear Axle,Dana 44/226MM [DRK] 1997 TJ
Figure 003-420



ITEM	PART NUMBER	QTY	LINE	SERIES	BODY	DESCRIPTION
------	-------------	-----	------	--------	------	-------------

Note:Sales Codes;

[DRK]=Axle - Rear,Dana 44/226MM

1						SHAFT, Axle
	4882 350	1	J			Right
	4882 351	1	J			Left
	4882 350	1	U			Right
	4882 351	1	U			Left
2						STUD, Hub
	8350 3053	10	J			Wheel
		10	U			Wheel
3						RETAINER, Axle Shaft Seal
	5010 811AA	2	J			
		2	U			
4						SEAL, Axle Drive Shaft
	8350 3063	2	J			
		2	U			
5						BEARING, Axle
	8350 3064	2	J			
		2	U			
6						RING, Axle Shaft
	8350 3077	2	J			
		2	U			

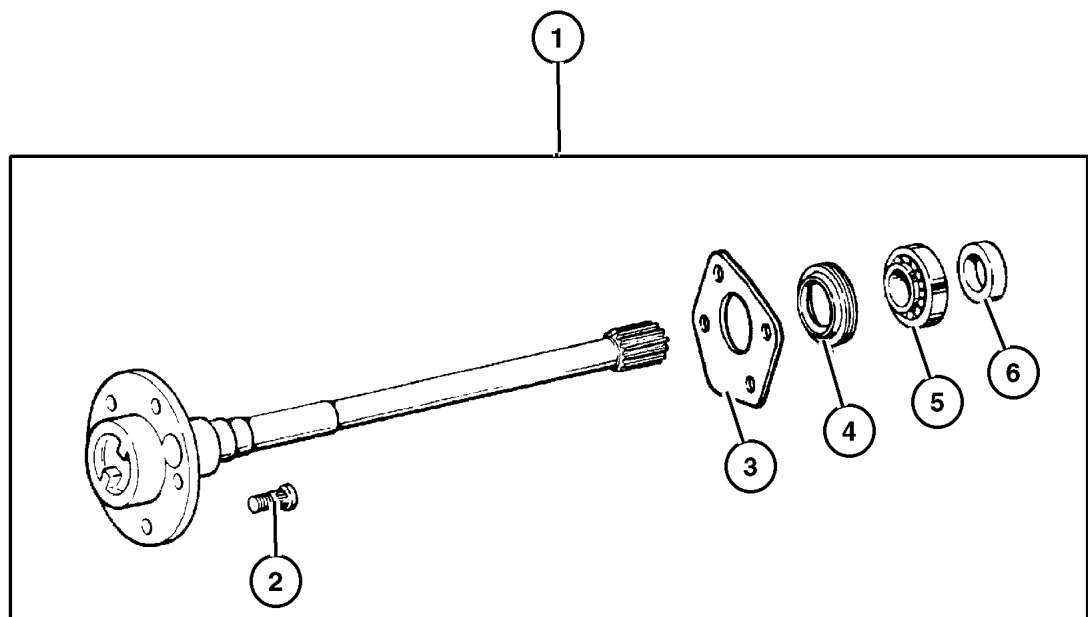
JEEP WRANGLER (TJ)

SERIES	LINE	BODY	ENGINE	TRANSMISSION
L=Low Line	J = Wrangler 4WD U = Wrangler 4WD (RHD)	77 = 93.4 WB	EPE, EP0 = 2.5L Power Tech ERH, ER0 = 4.0L Power Tech	DGG, DGD = 32RH 3 Spd. Auto. DDQ = 5 Spd. Manual DG0 = All Auto. Trans. DBB =All Manual Trans.

AR = Use as required - = Non illustrated part # = New this model year

June 7, 2002

**Shaft,Rear Axle,Dana 44/226MM [DRK] 1998 TJ
Figure 003-420**



ITEM	PART NUMBER	QTY	LINE	SERIES	BODY	DESCRIPTION
------	-------------	-----	------	--------	------	-------------

Note:Sales Codes;

[DRK]=Axle - Rear,Dana 44/226MM

1						SHAFT, Axle
	4882 350	1	J			Right
	4882 351	1	J			Left
	4882 350	1	U			Right
	4882 351	1	U			Left
2						STUD, Hub
	8350 3053	2	J			Wheel
		2	U			Wheel
3						RETAINER, Axle Shaft Seal
	5010 811AA	2	J			
		2	U			
4						SEAL, Axle Drive Shaft
	8350 3063	2	J			
		2	U			
5						BEARING, Axle
	8350 3064	2	J			
		2	U			
6						RING, Axle Shaft
	8350 3077	2	J			
		2	U			

JEEP WRANGLER (TJ)

SERIES	LINE	BODY	ENGINE	TRANSMISSION
L=Low Line	J = Wrangler 4WD U = Wrangler 4WD (RHD)	77 = 93.4 WB	EPE, EP0 = 2.5L Power Tech ERH, ER0 = 4.0L Power Tech	DGG, DGD = 32RH 3 Spd. Auto. DDQ = 5 Spd. Manual DG0 = All Auto. Trans. DBB =All Manual Trans.

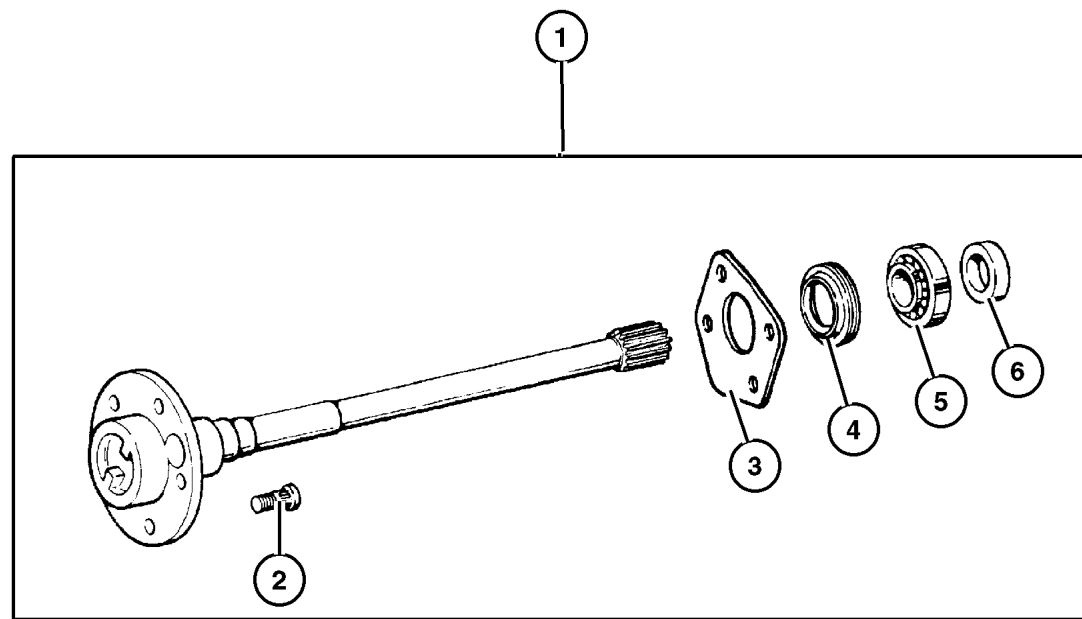
AR = Use as required - = Non illustrated part # = New this model year

June 7, 2002

Shaft,Rear Axle,Dana 44/226MM [DRK] 1999 TJ
Figure 003-420

ITEM	PART NUMBER	QTY	LINE	SERIES	BODY	DESCRIPTION
------	-------------	-----	------	--------	------	-------------

Note:Sales Codes;
 [DRK]=Axle - Rear,Dana 44/226MM



1						SHAFT, Axle
	4882 350	1	J			Right
	4882 351	1	J			Left
	4882 350	1	U			Right
	4882 351	1	U			Left
2						STUD, Hub
	5011 312AA	10	J			Wheel
		10	U			Wheel
3						RETAINER, Axle Shaft Seal
	5010 811AA	2	J			
		2	U			
4						SEAL, Axle Drive Shaft
	8350 3063	2	J			
		2	U			
5						BEARING, Axle
	8350 3064	2	J			
		2	U			
6						RING, Axle Shaft
	8350 3077	2	J			
		2	U			

JEEP WRANGLER (TJ)				
SERIES	LINE	BODY	ENGINE	TRANSMISSION
L=Low Line	J = Wrangler 4WD U = Wrangler 4WD (RHD)	77 = 93.4 WB	EPE, EP0 = 2.5L Power Tech ERH, ER0 = 4.0L Power Tech	DGG, DGD = 32RH 3 Spd. Auto. DDQ = 5 Spd. Manual DG0 = All Auto. Trans. DBB =All Manual Trans.

AR = Use as required - = Non illustrated part # = New this model year

June 7, 2002

Group – 004

Parking Brake

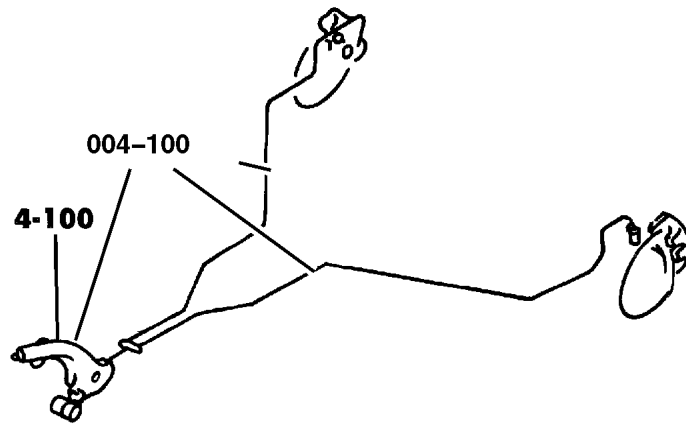
GROUP 4 - Parking Brake


Illustration Title

Group-Fig. No.

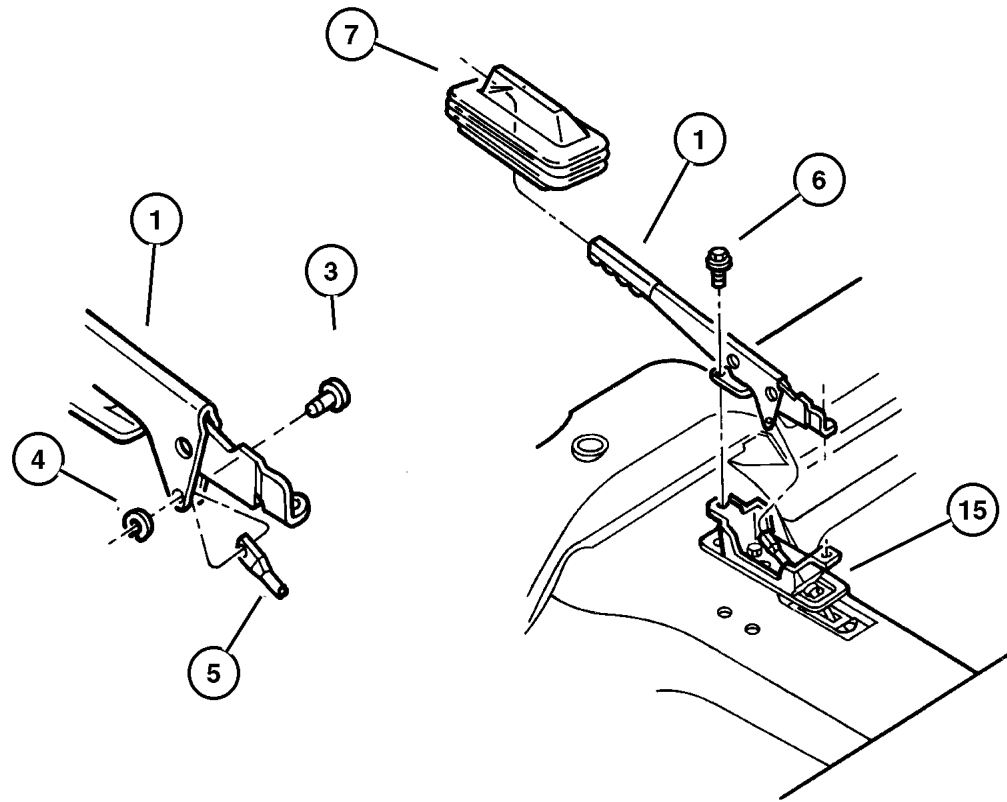
Parking Brake Lever and Cables

Parking Brake Lever and Cables 1997 TJ	Fig. 004-110
Parking Brake Lever and Cables 1998 TJ	Fig. 004-110
Parking Brake Lever and Cables 1999 TJ	Fig. 004-110

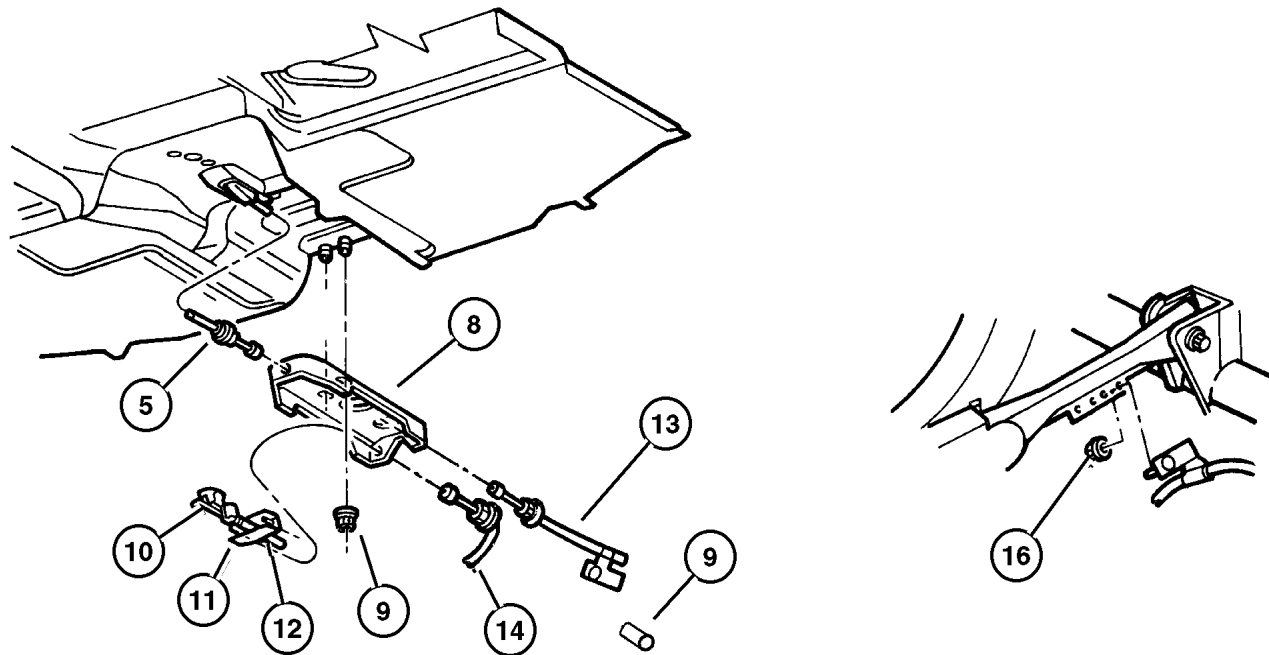


<p>004-100 Parking Brake Lever and Cables</p> 			
--	--	--	--

Parking Brake Lever and Cables 1997 TJ
Figure 004-110



ITEM	PART NUMBER	QTY	LINE	BODY	DESCRIPTION
1	5212 8203	1			LEVER, Park Brake
-2	5212 7960	1			SWITCH, Parking Brake
3	5207 8010	1			PIN, Parking Release
4	5207 8012	1			CLIP, Parking Brake Cable, Locking
5	5212 8206	1			CABLE, Parking Brake, Lever To Tensioner
6	3420 1686	2			BOLT, Hex Flange Head, M12x1.18x35
7	5207 8891	1			BOOT, Parking Brake Lever
8	52127 952AB	1			BRACKET, Cable, Cable and Equalizer Support
9	6101 695	2			NUT, Hex Flange Lock, M8x1.25, Hex Flange M8x1.25
10	5200 7532	1			EQUALIZER, Parking Brake Cable, Parking Brake Cable Adjusting
11	5200 7842	1			TENSIONER, Parking Brake Cable
12	6101 695	1			NUT, Hex Flange Lock, M8x1.25
13					CABLE, Parking Brake
	5200 8362	1	J		Right, Rear
		1	U		Right, Rear
14					CABLE, Parking Brake
	5200 8363	1	J		Left, Rear
		1	U		Left, Rear
15					BRACKET, Parking Lever
	5212 8191	1			Mini Console
	5212 8204	1			Full Console
16	6101 695	1			NUT, Hex Flange Lock, M8x1.25



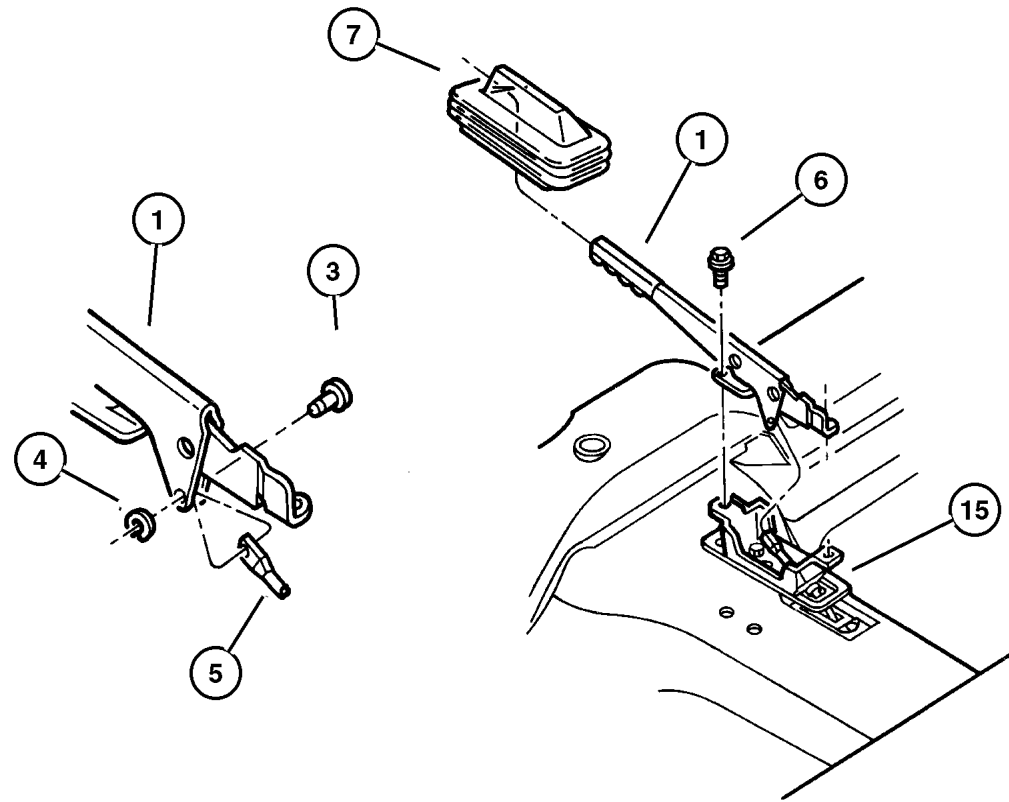
JEEP WRANGLER (TJ)

SERIES	LINE	BODY	ENGINE	TRANSMISSION
L=Low Line	J = Wrangler 4WD U = Wrangler 4WD (RHD)	77 = 93.4 WB	EPE, EP0 = 2.5L Power Tech ERH, ER0 = 4.0L Power Tech	DGG, DGD = 32RH 3 Spd. Auto. DDQ = 5 Spd. Manual DG0 = All Auto. Trans. DBB =All Manual Trans.

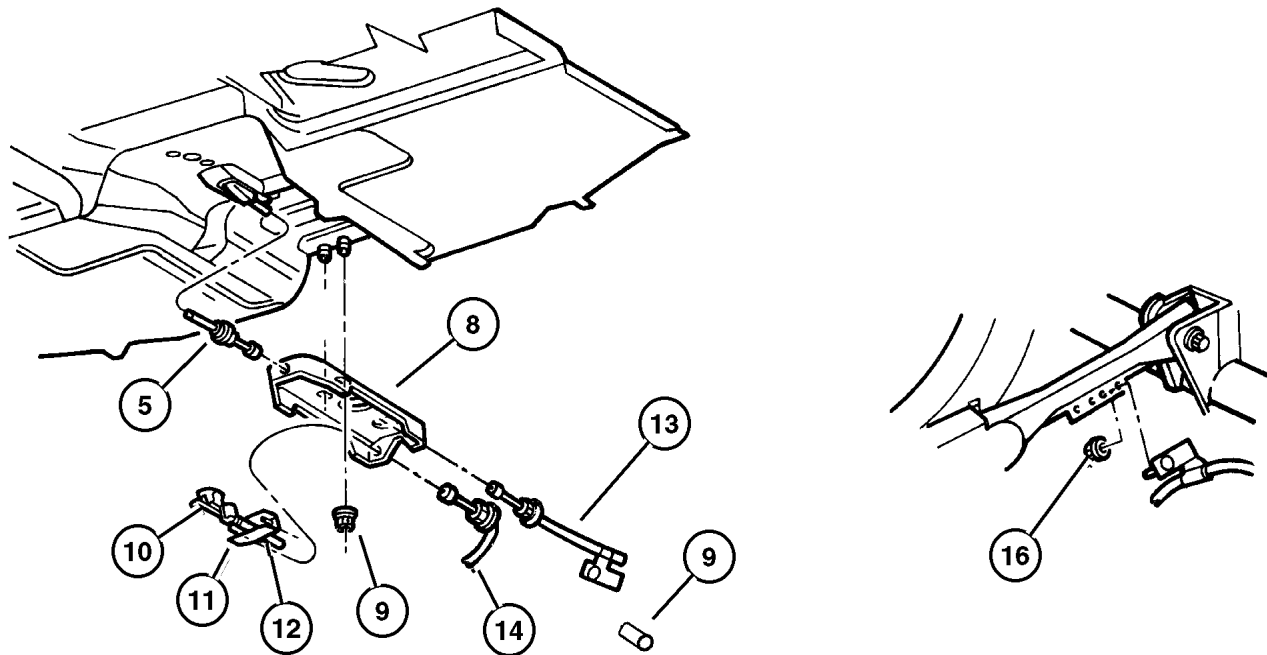
AR = Use as required - = Non illustrated part # = New this model year

June 7, 2002

Parking Brake Lever and Cables 1998 TJ
Figure 004-110



ITEM	PART NUMBER	QTY	LINE	BODY	DESCRIPTION
1	5212 8203	1			LEVER, Park Brake
-2	5209 922	1			SWITCH, Parking Brake
3	5207 8010	1			PIN, Parking Release
4	5207 8012	1			CLIP, Parking Brake Cable, Locking
5	52128 206AC	1			CABLE, Parking Brake, Lever To Tensioner
6	3420 1686	2			BOLT, Hex Flange Head, M12x1.18x35
7	5207 8891	1			BOOT, Parking Brake Lever
8	52127 952AB	1			BRACKET, Cable, Cable and Equalizer Support
9	6101 695	2			NUT, Hex Flange Lock, M8x1.25
10					EQUALIZER, Parking Brake Cable, (NOT REQUIRED)
11					TENSIONER, Parking Brake Cable
	5200 7842	1			Cable Adjusting
	5200 9527	1			
12	6101 695	1			NUT, Hex Flange Lock, M8x1.25
13					CABLE, Parking Brake
	5200 8362	1	J		CABLE, Parking Brake
		1	U		
14					CABLE, Parking Brake
	5200 8363	1	J		BRACKET, Parking Lever
		1	U		
15					BRACKET, Parking Lever
	5212 8191	1			Mini Console
	5212 8204	1			Full Console
16	6101 695	1			NUT, Hex Flange Lock, M8x1.25



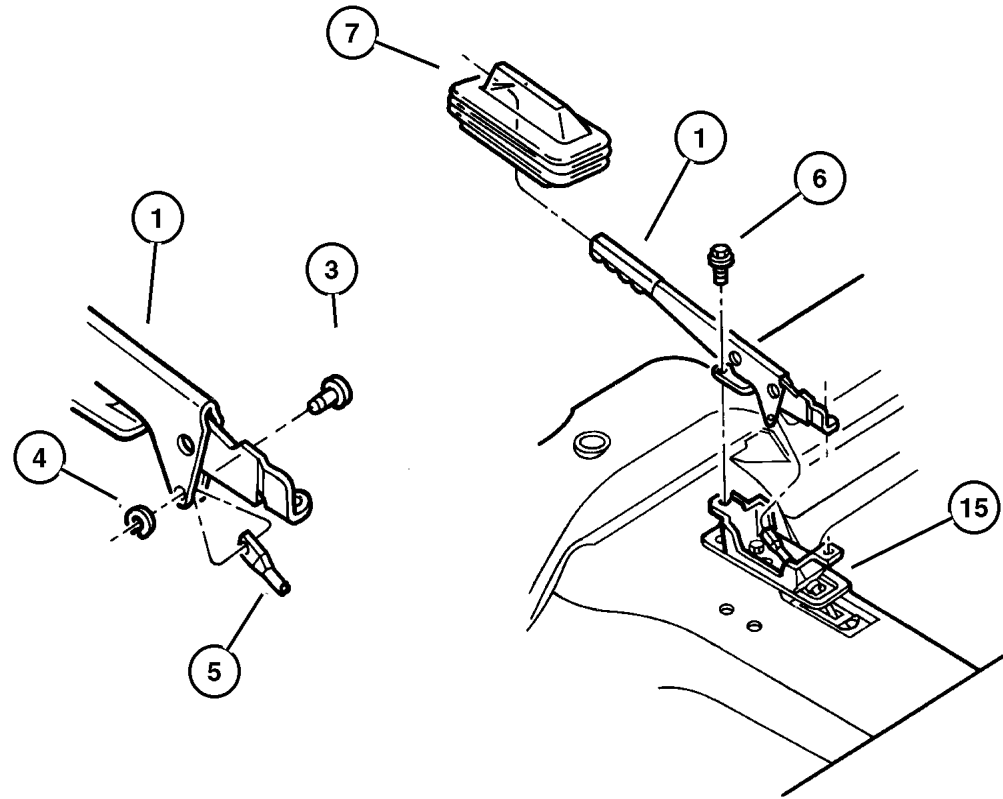
JEEP WRANGLER (TJ)

SERIES	LINE	BODY	ENGINE	TRANSMISSION
L=Low Line	J = Wrangler 4WD U = Wrangler 4WD (RHD)	77 = 93.4 WB	EPE, EP0 = 2.5L Power Tech ERH, ER0 = 4.0L Power Tech	DGG, DGD = 32RH 3 Spd. Auto. DDQ = 5 Spd. Manual DG0 = All Auto. Trans. DBB =All Manual Trans.

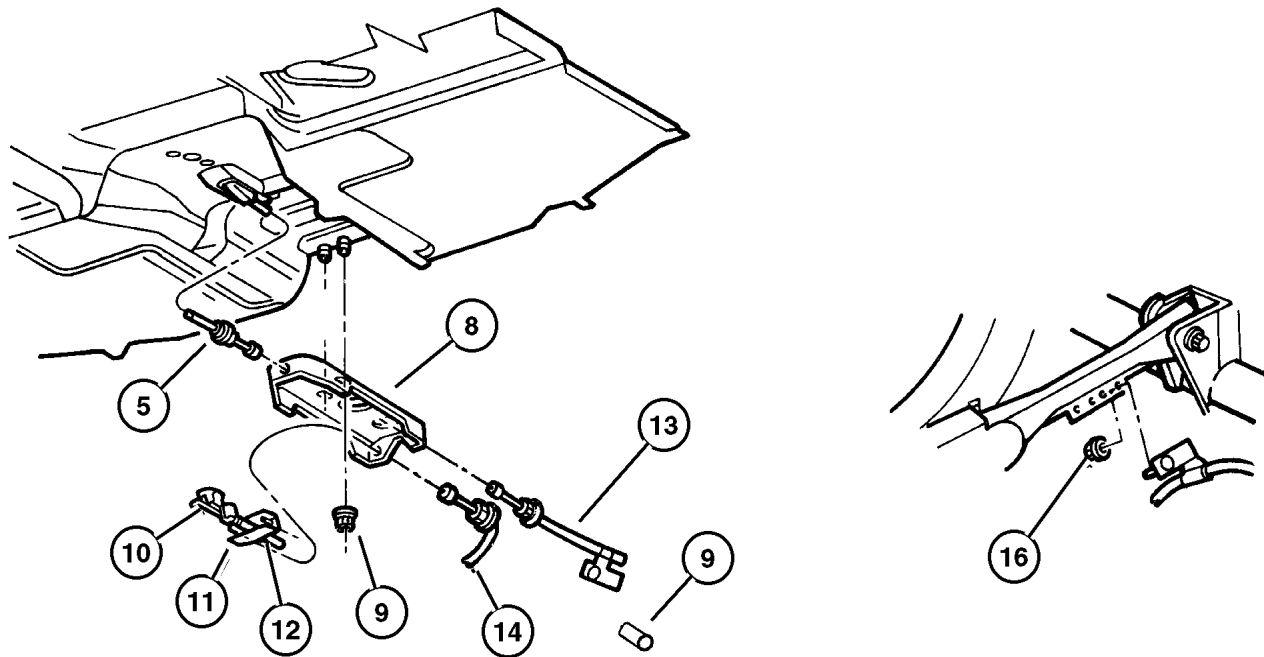
AR = Use as required - = Non illustrated part # = New this model year

June 7, 2002

Parking Brake Lever and Cables 1999 TJ
Figure 004-110



ITEM	PART NUMBER	QTY	LINE	BODY	DESCRIPTION
1	5212 8203	1			LEVER, Park Brake
-2	5209 922	1			SWITCH, Parking Brake
3	5207 8010	1			PIN, Parking Release
4	5207 8012	1			CLIP, Parking Brake Cable, Locking
5	52128 206AC	1			CABLE, Parking Brake, Lever To Tensioner
6	3420 1686	2			BOLT, Hex Flange Head, M12x1.18x35
7	5207 8891	1			BOOT, Parking Brake Lever
8	52127 952AB	1			BRACKET, Cable, Cable and Equalizer Support
9	6101 695	2			NUT, Hex Flange Lock, M8x1.25
10					EQUALIZER, Parking Brake Cable, (NOT REQUIRED)
11	5200 9527	1			TENSIONER, Parking Brake Cable, Cable Adjusting
12	6101 695	1			NUT, Hex Flange Lock, M8x1.25
13					CABLE, Parking Brake
	5200 8362	1	U		
		1	J		
14					CABLE, Parking Brake
	5200 8363	1	U		
		1	J		
15					BRACKET, Parking Lever
	5212 8191	1			Mini Console
	5212 8204	1			Full Console
16	6101 695	1			NUT, Hex Flange Lock, M8x1.25



JEEP WRANGLER (TJ)

SERIES	LINE	BODY	ENGINE	TRANSMISSION
L=Low Line	J = Wrangler 4WD U = Wrangler 4WD (RHD)	77 = 93.4 WB	EPE, EP0 = 2.5L Power Tech ERH, ER0 = 4.0L Power Tech	DGG, DGD = 32RH 3 Spd. Auto. DDQ = 5 Spd. Manual DG0 = All Auto. Trans. DBB =All Manual Trans.

AR = Use as required - = Non illustrated part # = New this model year

June 7, 2002

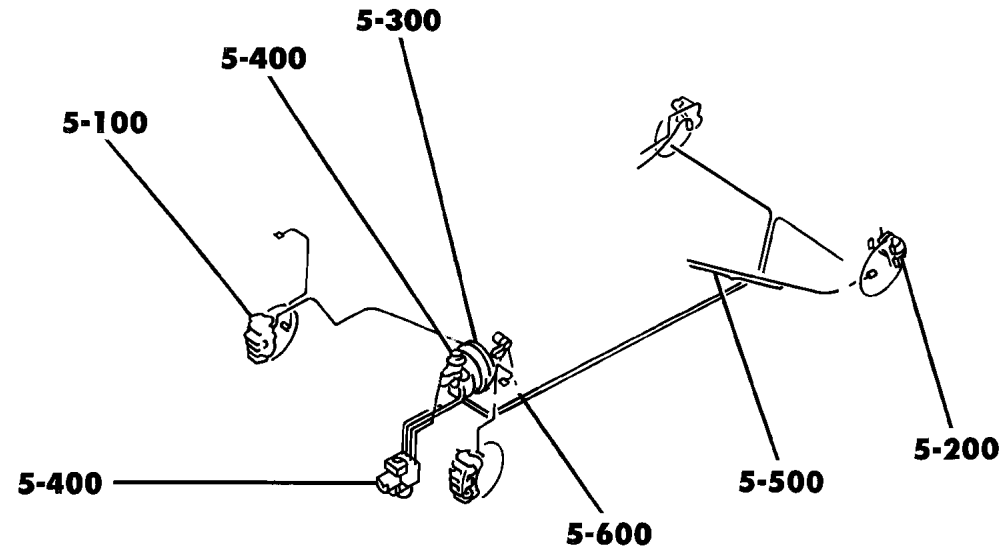
Group – 005

Service Brakes

GROUP 5 - Service Brakes

Illustration Title

Group-Fig. No.



Front Brakes

Front Brakes 1997 TJ	Fig. 005-110
Front Brakes 1998 TJ	Fig. 005-110
Front Brakes 1999 TJ	Fig. 005-110

Rear Brakes

Rear Drum Brakes 1997 TJ	Fig. 005-210
Rear Drum Brakes 1998 TJ	Fig. 005-210
Rear Drum Brakes 1999 TJ	Fig. 005-210

Power Brake Booster

Power Brake Booster 1997 TJ	Fig. 005-310
Power Brake Booster 1998 TJ	Fig. 005-310
Power Brake Booster 1999 TJ	Fig. 005-310

Brake Master Cylinder

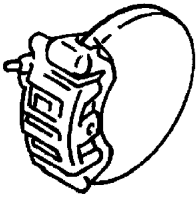
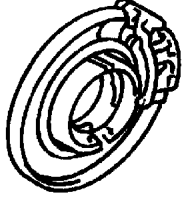
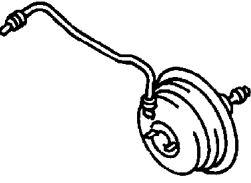
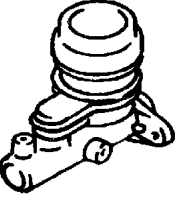
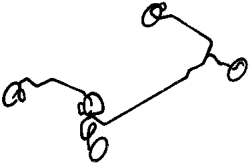

Master Cylinder 1997 TJ	Fig. 005-410
Master Cylinder 1998 TJ	Fig. 005-410
Master Cylinder 1999 TJ	Fig. 005-410

Brake Lines and Hoses

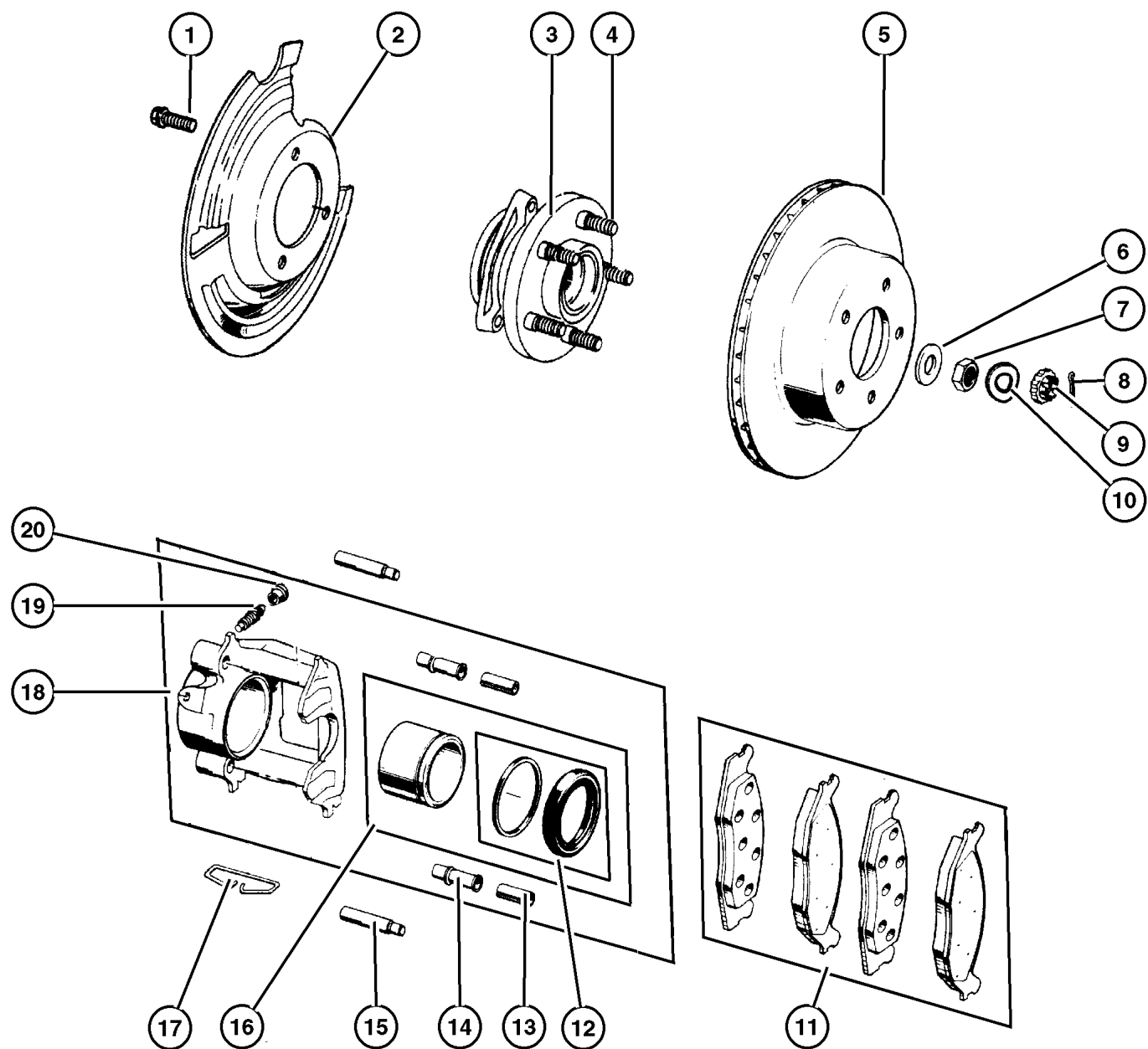
Hydraulic Control Unit,Anti-Lock Brake 1997 TJ	Fig. 005-510
Hydraulic Control Unit,Anti-Lock 1998 TJ	Fig. 005-510
Hydraulic Control Unit,Anti-Lock Brake 1999 TJ	Fig. 005-510
Brake Lines and Hoses w/o ABS Brakes 1997 TJ	Fig. 005-520
Brake Lines and Hoses w/o ABS Brakes 1998 TJ	Fig. 005-520
Brake Lines and Hoses w/o ABS Brakes 1999 TJ	Fig. 005-520
Brake Lines and Hoses w/ABS Brakes 1997 TJ	Fig. 005-530
Brake Lines and Hoses w/ABS Brakes 1998 TJ	Fig. 005-530
Brake Lines and Hoses w/ABS Brakes 1999 TJ	Fig. 005-530

Brake Pedals

Brake Pedal 1997 TJ	Fig. 005-610
Brake Pedal 1998 TJ	Fig. 005-610
Brake Pedal 1999 TJ	Fig. 005-610

<p>005-100 Front Brakes</p> 	<p>005-200 Rear Brakes</p> 	<p>005-300 Power Brake Booster</p> 	<p>005-400 Brake Master Cylinder</p> 
<p>005-500 Brake Lines and Hoses</p> 	<p>005-600 Brake Pedals</p> 		

Front Brakes 1997 TJ
Figure 005-110



ITEM	PART NUMBER	QTY	LINE	BODY	DESCRIPTION
1					BOLT
	3420 1535	6	J		
		6	U		
2					SHIELD, Brake
	5200 5476	1	J		Right
	5200 5477	1	J		Left
	5200 5476	1	U		Right
	5200 5477	1	U		Left
3					HUB AND BEARING, Brake
	5300 7449	2	J		
		2	U		
4					STUD, Hub
	5300 7463	10	J		
		10	U		
5					ROTOR, Brake
	5200 8440	2	J		
		2	U		
6					WASHER, Flat
	J420 0096	2	J		
		2	U		
7					NUT, Hex
	J420 0095	2	J		
		2	U		
8					PIN, Cotter, M4x40.00
	1101 0069	6	J		
		6	U		
9					RETAINER, Hub Nut
	J420 0097	2	J		
		2	U		
10					WASHER, Wave
	4740 749	2	J		
		2	U		
11					PAD KIT, Front Disc Brake
	4778 058AB	1	J		
	4778 058AC	1	U		
12					BOOT AND SEAL, Disc Brake
	J813 3852	1	J		
		1	U		
13					BUSHING, Disc Brake Caliper
	4383 471	1	J		
		1	U		
14					SLEEVE, Disc Brake Caliper
	4423 573	1	J		

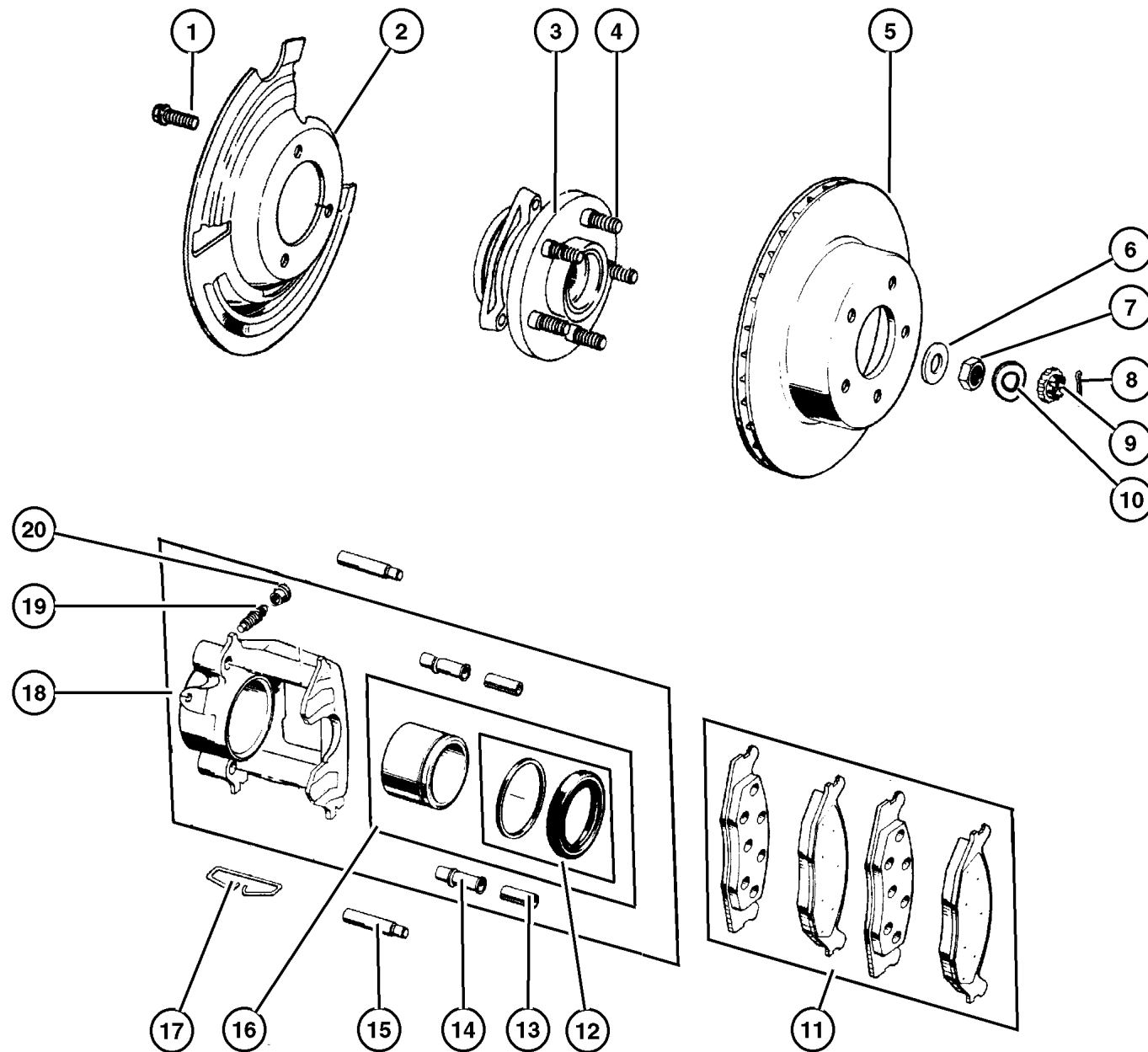
JEEP WRANGLER (TJ)

SERIES	LINE	BODY	ENGINE	TRANSMISSION
L=Low Line	J = Wrangler 4WD U = Wrangler 4WD (RHD)	77 = 93.4 WB	EPE, EP0 = 2.5L Power Tech ERH, ER0 = 4.0L Power Tech	DGG, DGD = 32RH 3 Spd. Auto. DDQ = 5 Spd. Manual DG0 = All Auto. Trans. DBB =All Manual Trans.

AR = Use as required - = Non illustrated part # = New this model year

June 7, 2002

Front Brakes 1997 TJ
Figure 005-110



ITEM	PART NUMBER	QTY	LINE	BODY	DESCRIPTION
		1	U		
15	5253 000	4	J		PIN, Caliper
		4	U		
16	5252 614	1	J		PISTON, Brake
		1	U		
17	J323 9865	1	J		CLIP, Brake Caliper
		1	U		
18	5252 984	1	J		CALIPER, Disc Brake
	5252 985	1	J		Right
	5252 984	1	U		Left
	5252 985	1	U		Right
		1	U		Left
19	J320 3313	1	J		SCREW, Bleeder
		1	U		
20	4238 717	1	J		CAP, Bleeder
		1	U		

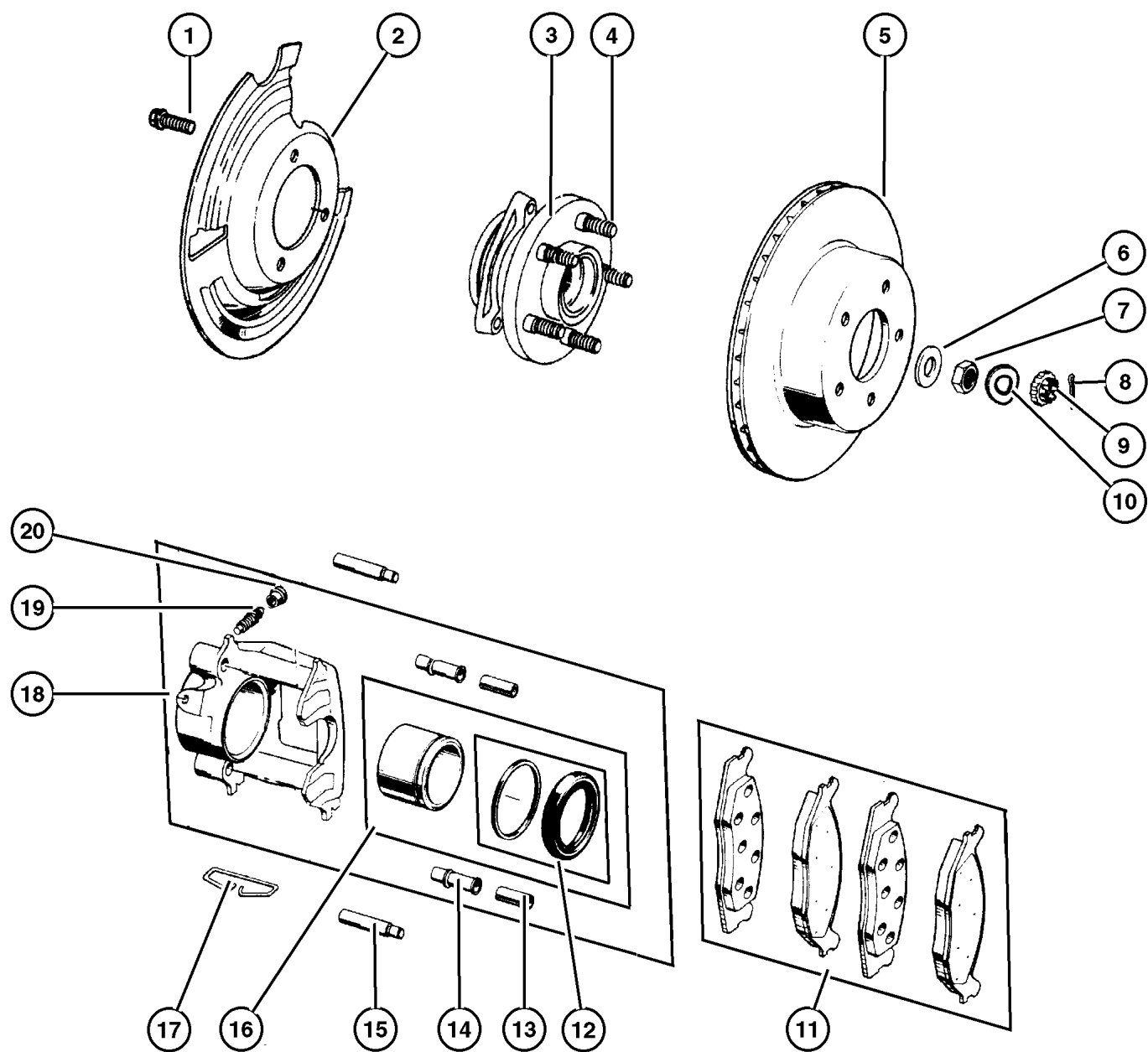
JEEP WRANGLER (TJ)

SERIES	LINE	BODY	ENGINE	TRANSMISSION
L=Low Line	J = Wrangler 4WD U = Wrangler 4WD (RHD)	77 = 93.4 WB	EPE, EP0 = 2.5L Power Tech ERH, ER0 = 4.0L Power Tech	DGG, DGD = 32RH 3 Spd. Auto. DDQ = 5 Spd. Manual DG0 = All Auto. Trans. DBB =All Manual Trans.

AR = Use as required - = Non illustrated part # = New this model year

June 7, 2002

Front Brakes 1998 TJ
Figure 005-110



ITEM	PART NUMBER	QTY	LINE	BODY	DESCRIPTION
1					BOLT
	3420 1535	6	J		
		6	U		
2					SHIELD, Brake
	5200 5476	1	J		Right
	5200 5477	1	J		Left
	5200 5476	1	U		Right
	5200 5477	1	U		Left
3					HUB AND BEARING, Brake
	5300 7449	2	J		
		2	U		
4					STUD, Hub
	5300 7463	10	J		
		10	U		
5					ROTOR, Brake
	5200 8440	2	J		
		2	U		
6					WASHER, Flat
	J420 0096	2	J		
		2	U		
7					NUT, Hex
	J420 0095	2	J		
		2	U		
8					PIN, Cotter, M4x40.00
	1101 0069	2	J		
		2	U		
9					RETAINER, Hub Nut
	J420 0097	2	J		
		2	U		
10					WASHER, Wave
	4740 749	2	J		
		2	U		
11					PAD KIT, Front Disc Brake
	4883 344AC	1	J		
		1	U		
12					BOOT AND SEAL, Disc Brake
	J813 3852	1	J		
		1	U		
13					BUSHING, Disc Brake Caliper
	4383 471	2	J		
		2	U		
14					SLEEVE, Disc Brake Caliper
	4423 573	2	J		

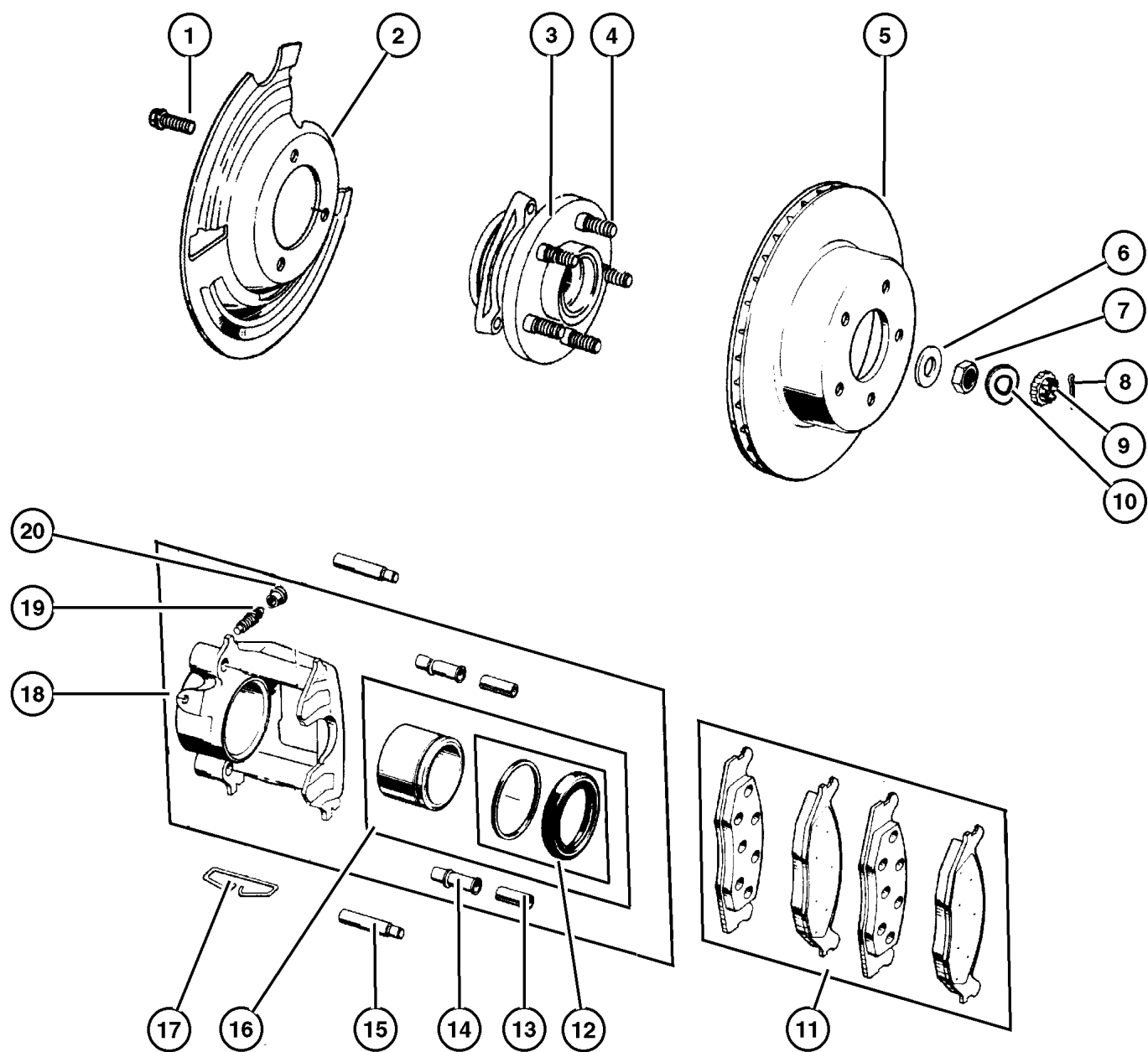
JEEP WRANGLER (TJ)

SERIES	LINE	BODY	ENGINE	TRANSMISSION
L=Low Line	J = Wrangler 4WD U = Wrangler 4WD (RHD)	77 = 93.4 WB	EPE, EP0 = 2.5L Power Tech ERH, ER0 = 4.0L Power Tech	DGG, DGD = 32RH 3 Spd. Auto. DDQ = 5 Spd. Manual DG0 = All Auto. Trans. DBB =All Manual Trans.

AR = Use as required - = Non illustrated part # = New this model year

June 7, 2002

Front Brakes 1998 TJ
Figure 005-110



ITEM	PART NUMBER	QTY	LINE	BODY	DESCRIPTION
		2	U		
15	5253 000	4	J		PIN, Caliper
		4	U		
16	5252 614	1	J		PISTON, Brake
		1	U		
17	J323 9865	2	J		CLIP, Brake Caliper
		2	U		
18	5252 984	1	J		CALIPER, Disc Brake
	5252 985	1	J		Right
	5252 984	1	U		Left
	5252 985	1	U		Right
	5252 984	1	U		Left
19	J320 3313	1	J		SCREW, Bleeder
		1	U		
20	4238 717	1	J		CAP, Bleeder
		1	U		

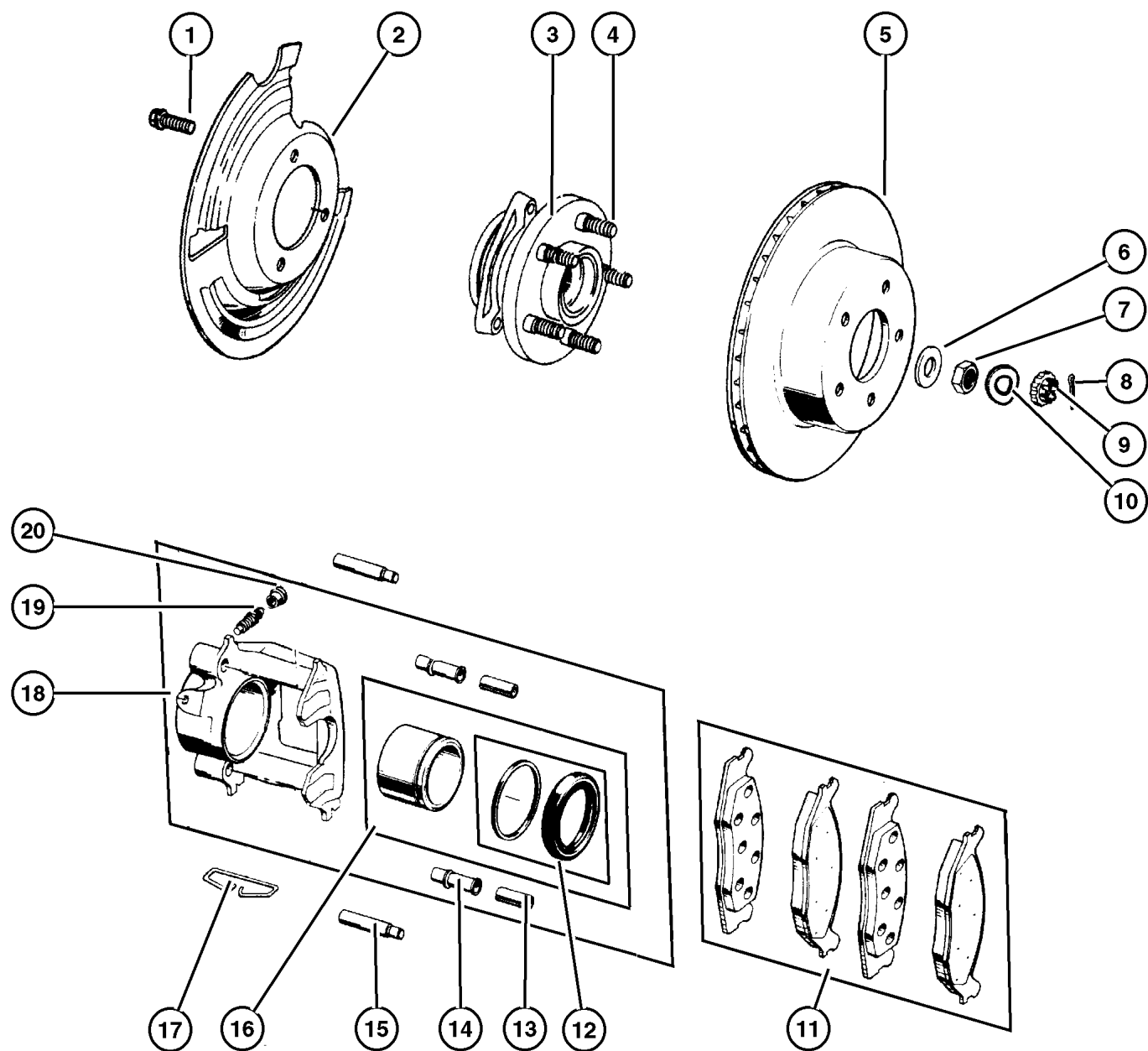
JEEP WRANGLER (TJ)

SERIES	LINE	BODY	ENGINE	TRANSMISSION
L=Low Line	J = Wrangler 4WD U = Wrangler 4WD (RHD)	77 = 93.4 WB	EPE, EP0 = 2.5L Power Tech ERH, ER0 = 4.0L Power Tech	DGG, DGD = 32RH 3 Spd. Auto. DDQ = 5 Spd. Manual DG0 = All Auto. Trans. DBB =All Manual Trans.

AR = Use as required - = Non illustrated part # = New this model year

June 7, 2002

Front Brakes 1999 TJ
Figure 005-110



ITEM	PART NUMBER	QTY	LINE	BODY	DESCRIPTION
1					BOLT
	3420 1535	6	J		
		6	U		
2					SHIELD, Brake
	5200 5476	1	J		Right
	5200 5477	1	J		Left
	5200 5476	1	U		Right
	5200 5477	1	U		Left
3					HUB AND BEARING, Brake
	5300 7449	2	J		Composite Rotor (1997-1999)
		2	U		Composite Rotor (1997-1999)
	#53007 449AC	2	J		Full Cast Rotor (1999)
		2	U		Full Cast Rotor (1999)
4					STUD, Hub
	5300 7463	10	J		Composite Rotor (1997-1999)
		10	U		Composite Rotor (1997-1999)
	#6036 194AA	10	J		Full Cast Rotor (1999)
		10	U		Full Cast Rotor (1999)
5					ROTOR, Brake
	5200 8440	2	J		Composite Rotor (1997-1999)
		2	U		Composite Rotor (1997-1999)
	#52008 440AB	2	J		Full Cast Rotor (1999)
		2	U		Full Cast Rotor (1999)
6					WASHER, Flat
	J420 0096	2	J		
		2	U		
7					NUT, Hex
	J420 0095	2	J		
		2	U		
8					PIN, Cotter, M4x40.00
	1101 0069	2	J		
		2	U		
9					RETAINER, Hub Nut
	J420 0097	2	J		
		2	U		
10					WASHER, Wave
	4740 749	2	J		
		2	U		
11					PAD KIT, Front Disc Brake
	4883 344AC	1	J		
		1	U		
12					BOOT AND SEAL, Disc Brake
	J813 3852	1	J		

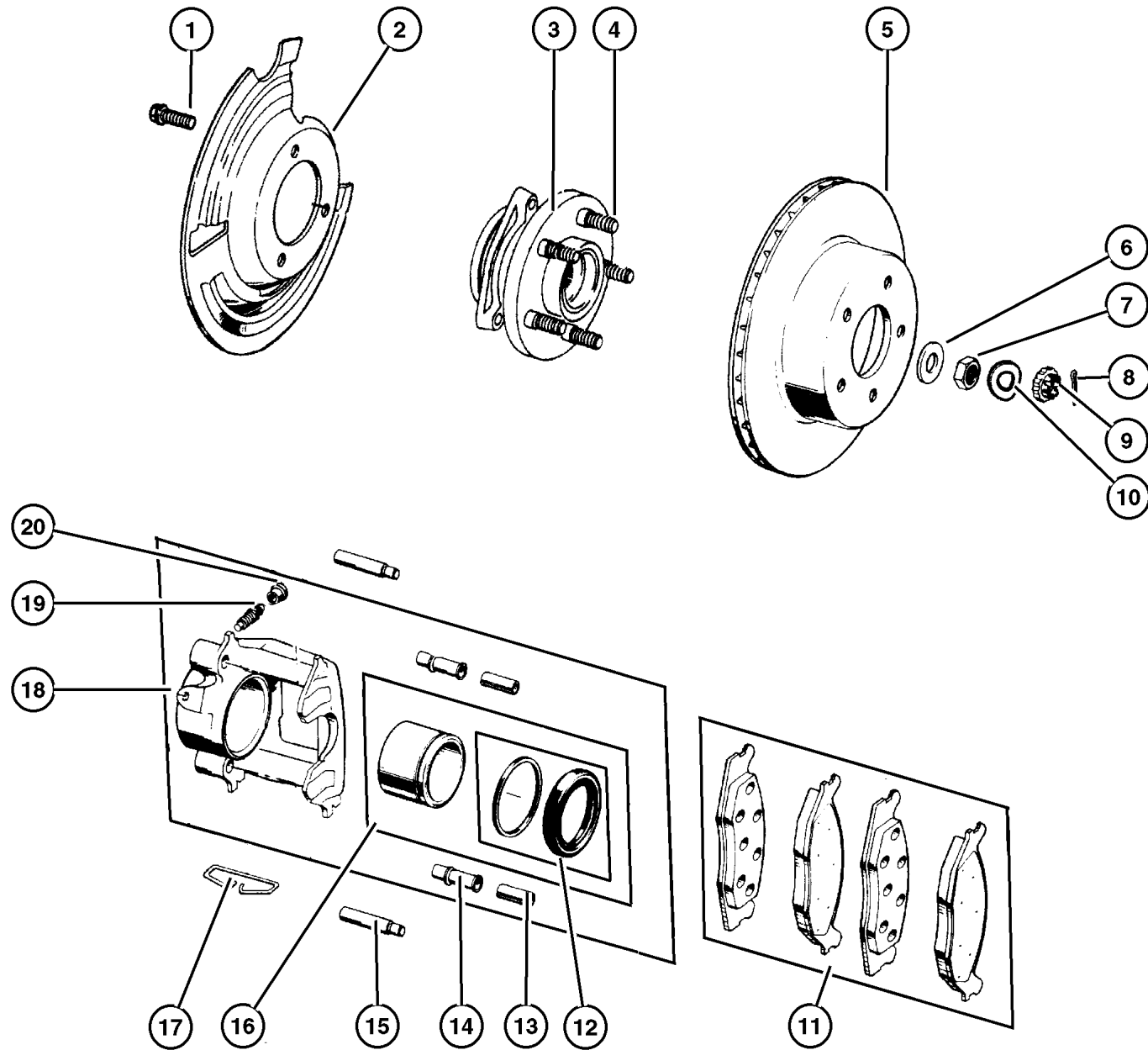
JEEP WRANGLER (TJ)

SERIES	LINE	BODY	ENGINE	TRANSMISSION
L=Low Line	J = Wrangler 4WD U = Wrangler 4WD (RHD)	77 = 93.4 WB	EPE, EP0 = 2.5L Power Tech ERH, ER0 = 4.0L Power Tech	DGG, DGD = 32RH 3 Spd. Auto. DDQ = 5 Spd. Manual DG0 = All Auto. Trans. DBB =All Manual Trans.

AR = Use as required - = Non illustrated part # = New this model year

June 7, 2002

Front Brakes 1999 TJ
Figure 005-110



ITEM	PART NUMBER	QTY	LINE	BODY	DESCRIPTION
		1	U		
13		2	J		BUSHING, Disc Brake Caliper
	4383 471	2	U		
14		2	J		SLEEVE, Disc Brake Caliper
	4423 573	2	U		
15		4	J		PIN, Caliper
	5253 000	4	U		
16		1	J		PISTON, Brake
	5252 614	1	U		
17		1	J		CLIP, Brake Caliper
	J323 9865	1	U		
18		1	J		CALIPER, Disc Brake
	5252 984	1	J		Right
	5252 985	1	J		Left
	5252 984	1	U		Right
	5252 985	1	U		Left
19		1	J		SCREW, Bleeder
	J320 3313	1	U		
20		1	J		CAP, Bleeder
	4238 717	1	U		

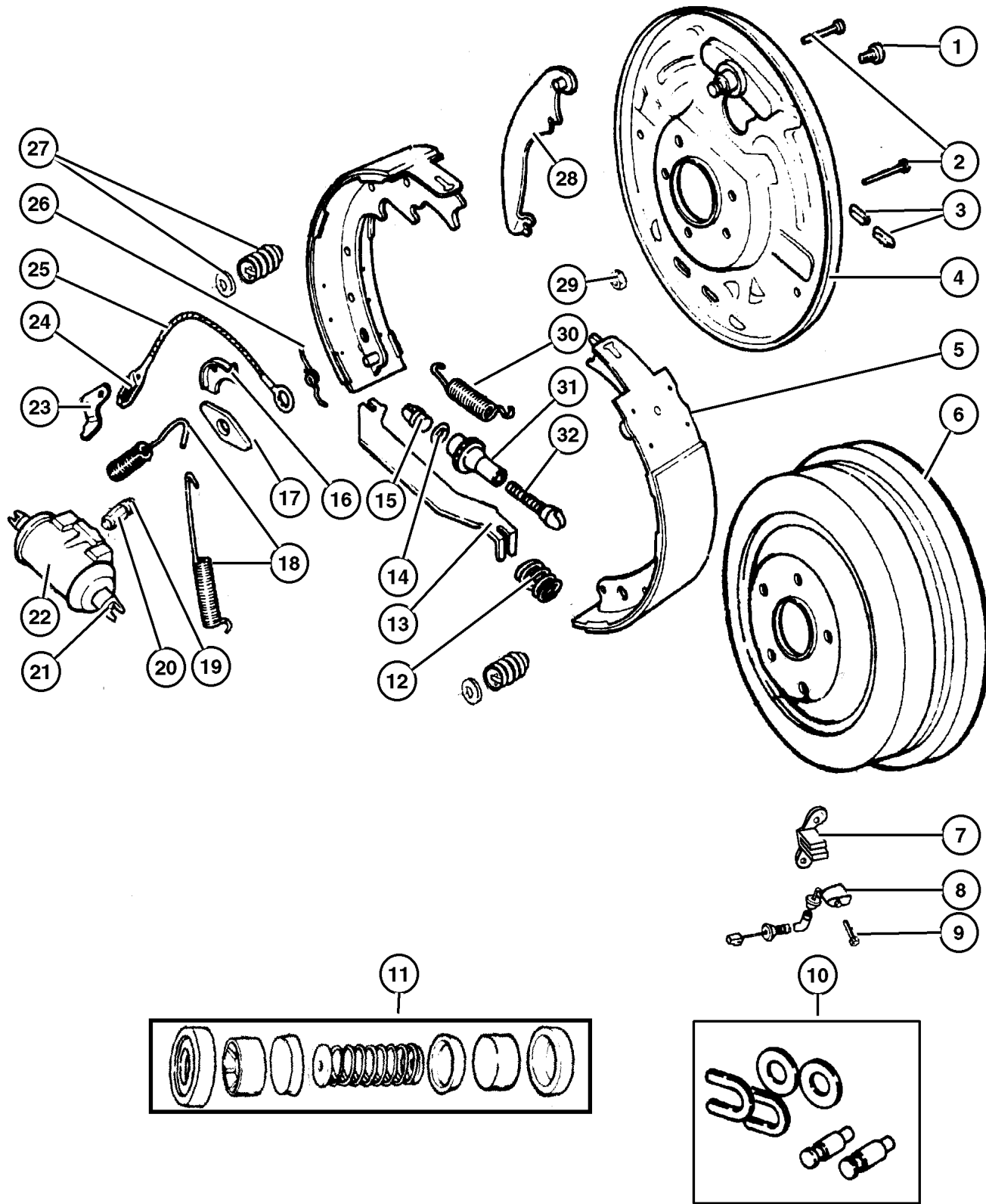
JEEP WRANGLER (TJ)

SERIES	LINE	BODY	ENGINE	TRANSMISSION
L=Low Line	J = Wrangler 4WD U = Wrangler 4WD (RHD)	77 = 93.4 WB	EPE, EP0 = 2.5L Power Tech ERH, ER0 = 4.0L Power Tech	DGG, DGD = 32RH 3 Spd. Auto. DDQ = 5 Spd. Manual DG0 = All Auto. Trans. DBB =All Manual Trans.

AR = Use as required - = Non illustrated part # = New this model year

June 7, 2002

Rear Drum Brakes 1997 TJ
Figure 005-210



ITEM	PART NUMBER	QTY	LINE	BODY	DESCRIPTION
Note:Sales Codes;					
[BGA]=Brakes,- Power Front Disc/Rear Drum					
[BGK]=Brakes - 4-Wheel Antilock					
1	6028 921	2	J		BOLT, Hex Head Wheel Cylinder, Mounting
2	2260 548	2	U		Wheel Cylinder, Mounting PIN, Brake Shoe Hold Down
3	4238 721	1	J		PLUG, Brake Adjusting Hole
4		1	U		PLATE, Brake Backing
5	5017 760AA	1	J		[BGA], Right
	5017 761AA	1	J		[BGA], Left
	4856 719AB	1	J		[BGK], Left
	4856 718AB	1	J		[BGK], Right
5	5017 761AA	1	U		[BGA], Left
	5017 760AA	1	U		[BGA], Right
	4723 367AB	1	J		SHOE AND LINING KIT, drum
6	5200 5350	1	U		DRUM, Brake
7	5200 7804	1	J		BRACKET, Brake Sensor Right
	5200 7805	1	J		Left
8					SENSOR, Anti-Lock Brakes
	5602 7728	1	J		Right
	5602 7729	1	J		Left
9	8350 4920	2	J		BOLT, Anti-Lock Brake Sensor, Mounting
10	4049 681	1	J		HARDWARE PACKAGE, Rear Brake
		1	U		
11	5252 630	1	J		REPAIR KIT, Wheel Cylinder
		1	U		
12					SPRING, Parking Brake Strut, Purchase Strut, (NOT SERVICED)
13	4713 590	1	J		STRUT, Parking Brake
		1	U		
14					WASHER, Adjuster Button

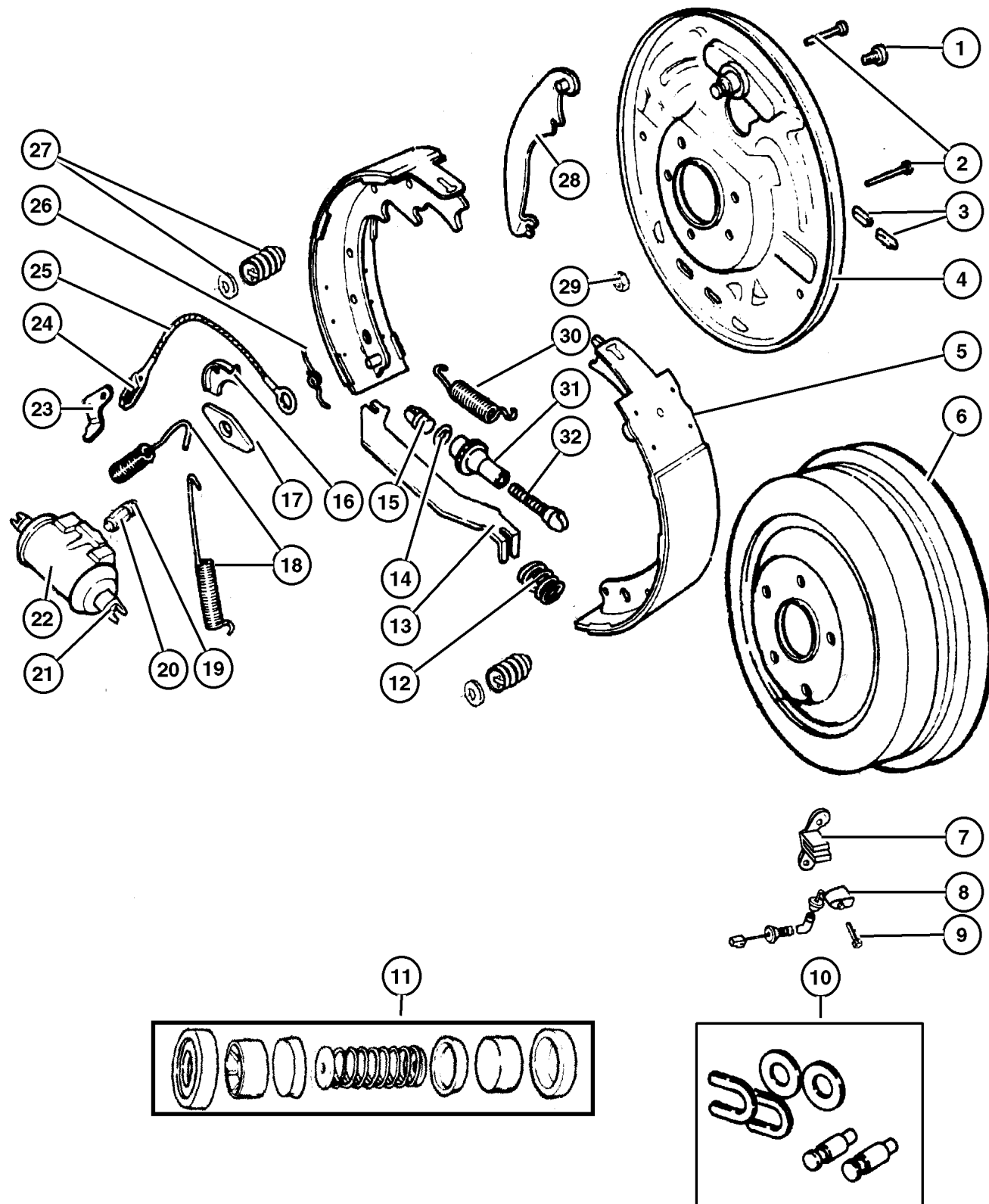
JEEP WRANGLER (TJ)

SERIES	LINE	BODY	ENGINE	TRANSMISSION
L=Low Line	J = Wrangler 4WD U = Wrangler 4WD (RHD)	77 = 93.4 WB	EPE, EP0 = 2.5L Power Tech ERH, ER0 = 4.0L Power Tech	DGG, DGD = 32RH 3 Spd. Auto. DDQ = 5 Spd. Manual DG0 = All Auto. Trans. DBB =All Manual Trans.

AR = Use as required - = Non illustrated part # = New this model year

June 7, 2002

Rear Drum Brakes 1997 TJ
Figure 005-210



ITEM	PART NUMBER	QTY	LINE	BODY	DESCRIPTION
	6027 559	1	J		
15		1	U		BUTTON, Rear Brake Auto Adjust
	2944 586	1	J		
		1	U		
16					GUIDE, Brake Adjusting Cable
	2260 793	1	J		
		1	U		
17					PLATE, Brake Shoe Guide
	4313 075	1	J		
		1	U		
18					SPRING, Brake Shoe Return
	2881 676	2	J		
		2	U		
19					CAP, Bleeder
	4238 717	1	J		
		1	U		
20					SCREW, Bleeder
	3766 674	1	J		
		1	U		
21					LINK, Brake, Purchase Wheel Cylinder , (NOT SERVICED)
22					CYLINDER, Wheel
	4423 601	1	J		
		1	U		
23					LEVER, Park Brake Adjusting
	4761 759	1	J		
		1	U		
24					SPRING, Adjuster Cable
	3461 660	1	J		
		1	U		
25					CABLE, Brake Automatic Adjuster
	3461 662	1	J		
		1	U		
26					SPRING, Brake Auto Adjuster Lever
	2944 580	1	J		Right
	2944 581	1	J		Left
	2944 580	1	U		Right
	2944 581	1	U		Left
27					SPRING, Brake Shoe Hold Down
	4313 062	2	J		
		2	U		
28					LEVER, Park Brake Right
	4313 810	1	J		

JEEP WRANGLER (TJ)

SERIES
L=Low Line

LINE
J = Wrangler 4WD
U = Wrangler 4WD (RHD)

BODY
77 = 93.4 WB

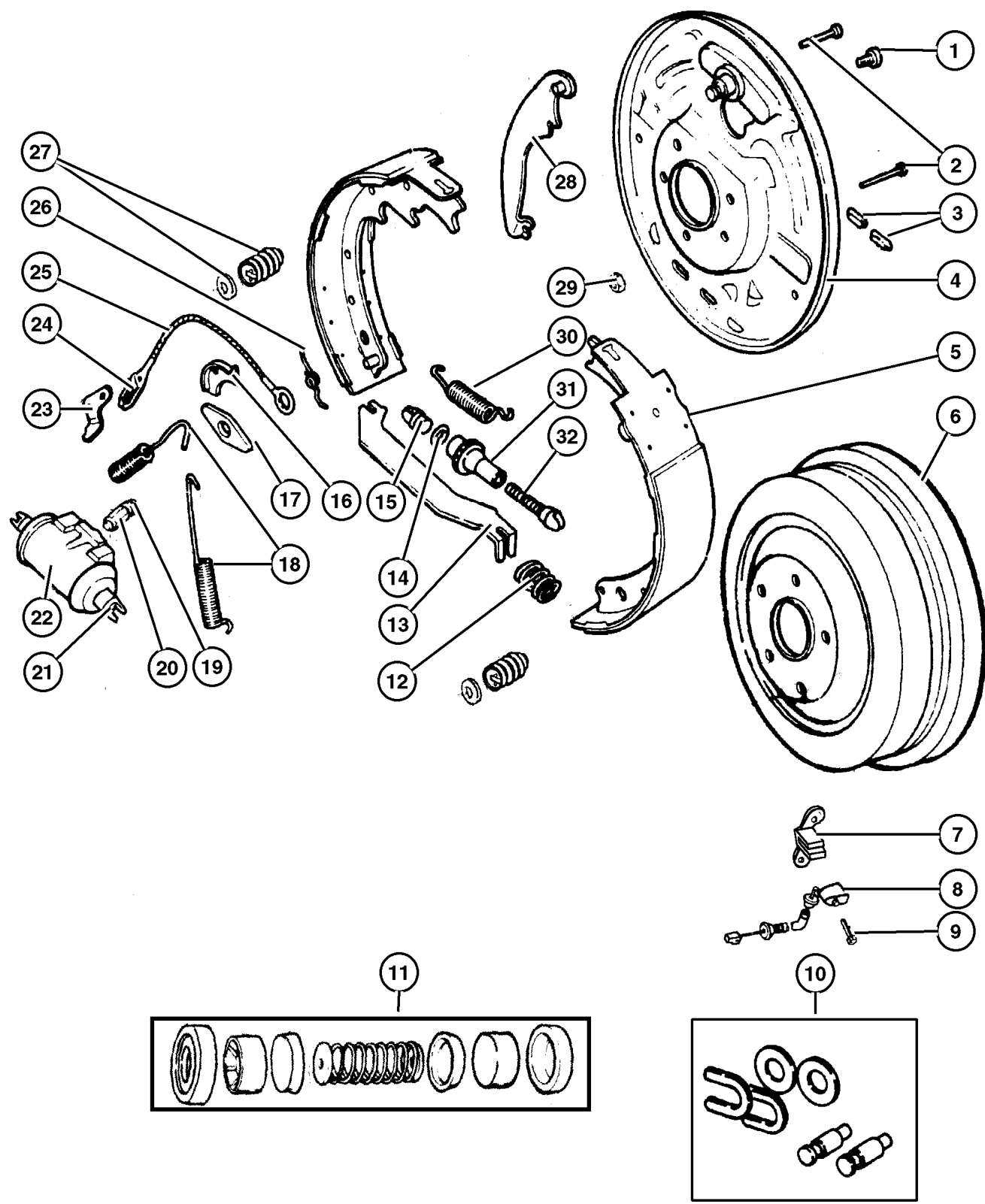
ENGINE
EPE, EP0 = 2.5L Power Tech
ERH, ER0 = 4.0L Power Tech

TRANSMISSION
DGG, DGD = 32RH 3 Spd. Auto.
DDQ = 5 Spd. Manual
DG0 = All Auto. Trans.
DBB =All Manual Trans.

AR = Use as required - = Non illustrated part # = New this model year

June 7, 2002

Rear Drum Brakes 1997 TJ
Figure 005-210



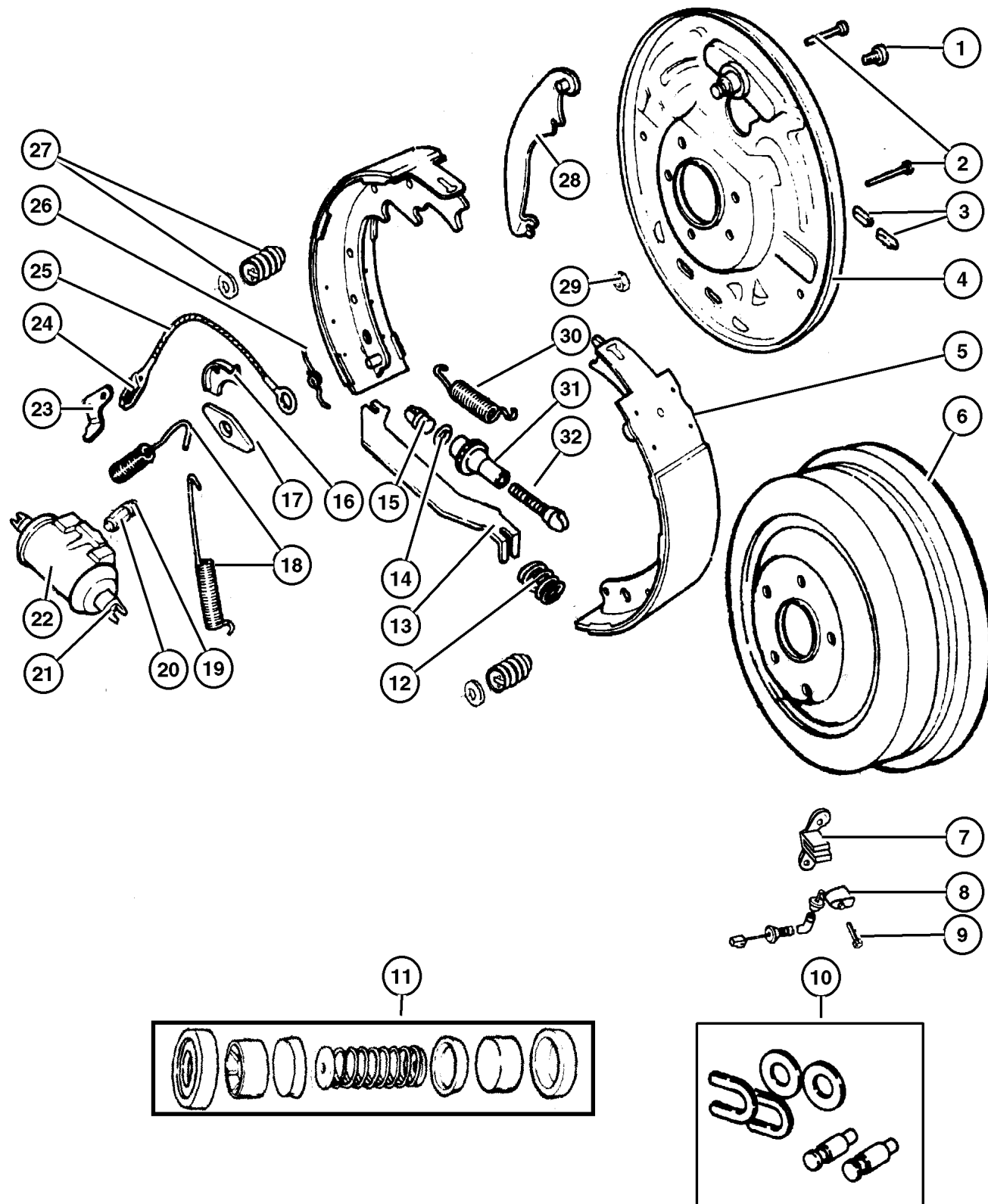
ITEM	PART NUMBER	QTY	LINE	BODY	DESCRIPTION
	4313 811	1	J		Left
	4313 810	1	U		Right
	4313 811	1	U		Left
29	J941 1783	8	J		NUT, Hex Flange Lock
		8	U		Backing Plate to Axle Housing, Mounting
30					Backing Plate to Axle Housing, Mounting
	4423 085	1	J		SPRING, Brake Shoe to Shoe
		1	U		
31					NUT, Rear Brake Auto Adjust Pivot
	2944 692	1	J		Right
	2944 693	1	J		Left
	2944 692	1	U		Right
	2944 693	1	U		Left
32					SCREW, Brake Adjusting
	4423 898	1	J		Right
	4423 899	1	J		Left
	4423 898	1	U		Right
	4423 899	1	U		Left

JEEP WRANGLER (TJ)
 SERIES LINE BODY ENGINE TRANSMISSION
 L=Low Line J = Wrangler 4WD 77 = 93.4 WB EPE, EP0 = 2.5L Power Tech DGG, DGD = 32RH 3 Spd. Auto.
 U = Wrangler 4WD (RHD) ERH, ER0 = 4.0L Power Tech DDQ = 5 Spd. Manual
 DG0 = All Auto. Trans.
 DBB =All Manual Trans.

AR = Use as required - = Non illustrated part # = New this model year

June 7, 2002

Rear Drum Brakes 1998 TJ Figure 005-210



ITEM	PART NUMBER	QTY	LINE	BODY	DESCRIPTION
Note: Sales Codes;					
[BGA]=Brakes,- Power Front Disc/Rear Drum					
[BGK]=Brakes - 4-Wheel Antilock					
1	6028 921	2	J		BOLT, Hex Head Wheel Cylinder, Mounting
2	2260 548	2	U		Wheel Cylinder, Mounting
		2	U		PIN, Brake Shoe Hold Down
3	4238 721	1	J		PLUG, Brake Adjusting Hole
		1	U		
4	PLATE, Brake Backing				
	5017 760AA	1	J		[BGA], Right
	5017 761AA	1	J		[BGA], Left
	4856 718AB	1	J		[BGK], Right
	4856 719AB	1	J		[BGK], Left
5	SHOE AND LINING KIT, drum				
	5017 760AA	1	U		[BGA], Right
	5017 761AA	1	U		[BGA], Left
6	DRUM, Brake				
	5200 5350	2	J		
7	BRACKET, Brake Sensor				
	5200 7804	1	J		Right
8	SENSOR, Anti-Lock Brakes				
	5200 7805	1	J		Left
9	BOLT, Anti-Lock Brake Sensor, Mounting				
	8350 4920	2	J		
10	HARDWARE PACKAGE, Rear Brake				
	4049 681	1	J		
11	REPAIR KIT, Wheel Cylinder				
	5252 630	1	J		
12		1	U		SPRING, Parking Brake Strut, Purchase Strut, (NOT SERVICED)
13		1	U		STRUT, Parking Brake
14	WASHER, Adjuster Button				
	4713 590	1	J		

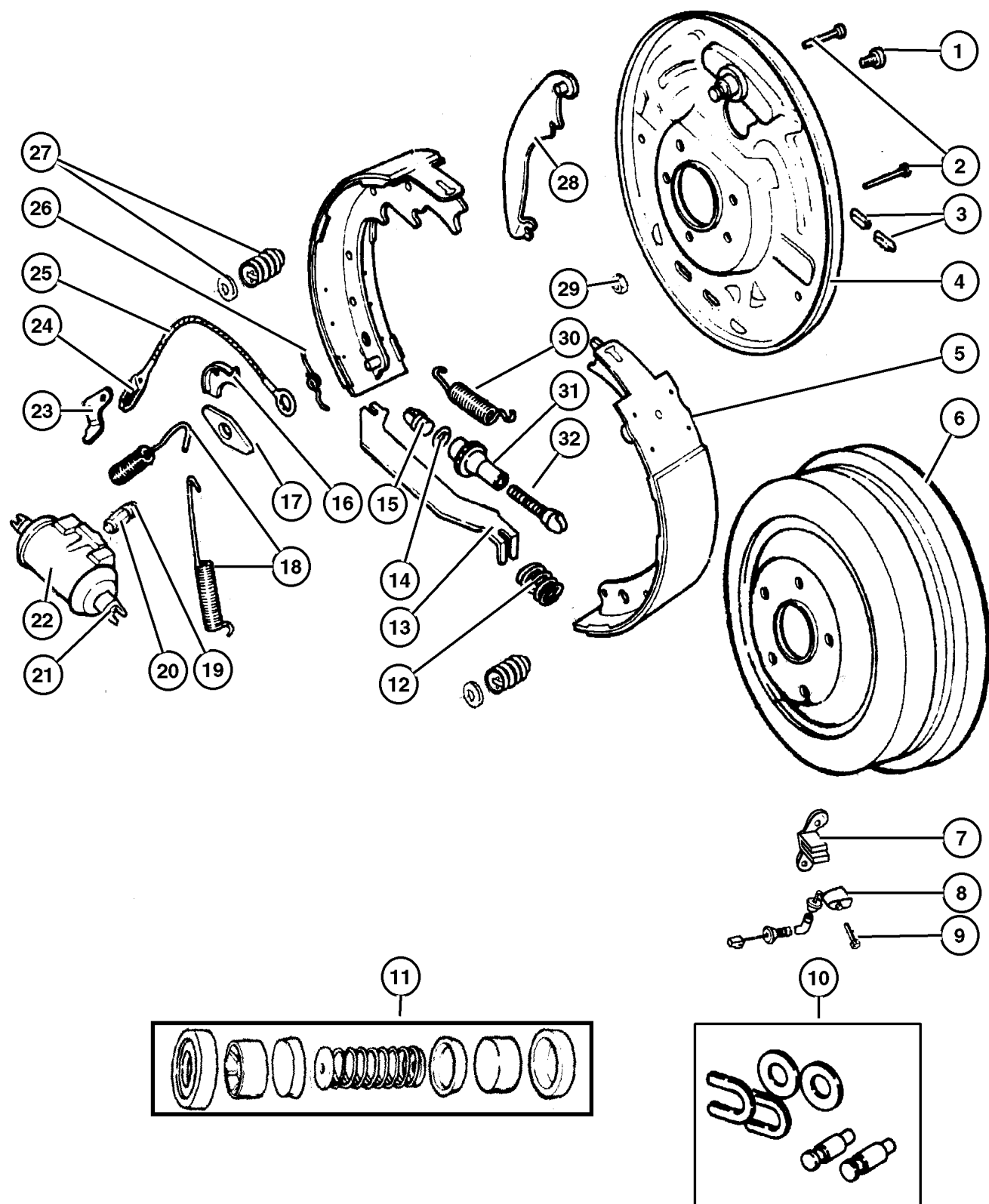
JEEP WRANGLER (TJ)

SERIES	LINE	BODY	ENGINE	TRANSMISSION
L=Low Line	J = Wrangler 4WD U = Wrangler 4WD (RHD)	77 = 93.4 WB	EPE, EP0 = 2.5L Power Tech ERH, ER0 = 4.0L Power Tech	DGG, DGD = 32RH 3 Spd. Auto. DDQ = 5 Spd. Manual DG0 = All Auto. Trans. DBB =All Manual Trans.

AR = Use as required - = Non illustrated part # = New this model year

June 7, 2002

Rear Drum Brakes 1998 TJ
Figure 005-210



ITEM	PART NUMBER	QTY	LINE	BODY	DESCRIPTION
	6027 559	1	J		
15	2944 586	1	U		BUTTON, Rear Brake Auto Adjust
16	2260 793	1	J		GUIDE, Brake Adjusting Cable
17	4313 075	1	U		PLATE, Brake Shoe Guide
18	2881 676	2	J		SPRING, Brake Shoe Return
19	4238 717	2	U		CAP, Bleeder
20	3766 674	1	J		SCREW, Bleeder
21	4423 601	1	J		LINK, Brake, Purchase Wheel Cylinder , (NOT SERVICED)
22		1	U		CYLINDER, Wheel
23	4761 759	1	J		LEVER, Park Brake Adjusting
24	3461 660	1	U		SPRING, Adjuster Cable
25	3461 662	1	J		CABLE, Brake Automatic Adjuster
26	2944 580	1	J		SPRING, Brake Auto Adjuster Lever
	2944 581	1	J		Right
	2944 580	1	U		Left
27	2944 581	1	U		Right
	4313 062	2	J		Left
		2	U		SPRING, Brake Shoe Hold Down
28	4313 810	1	J		LEVER, Park Brake Right

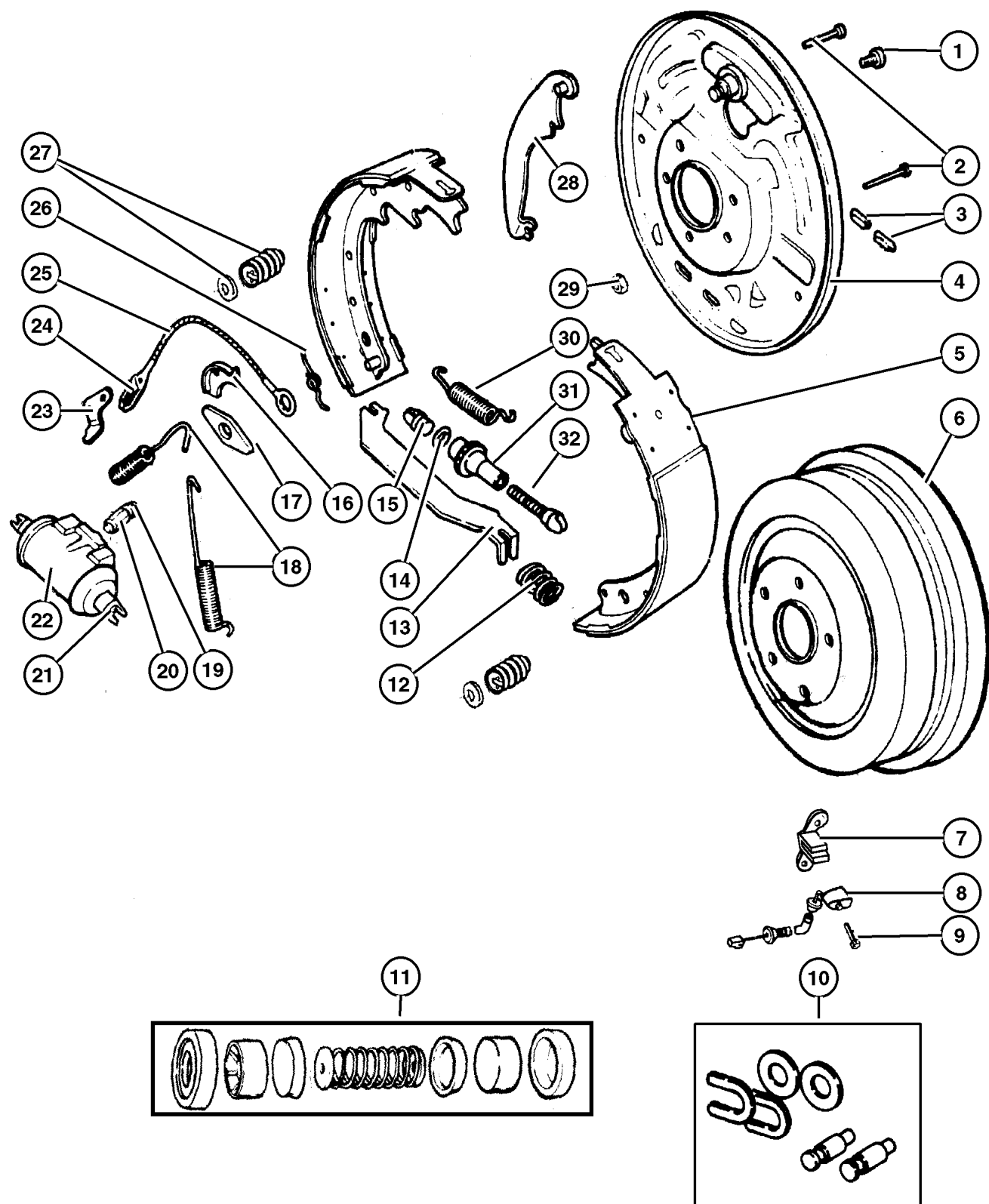
JEEP WRANGLER (TJ)

SERIES	LINE	BODY	ENGINE	TRANSMISSION
L=Low Line	J = Wrangler 4WD U = Wrangler 4WD (RHD)	77 = 93.4 WB	EPE, EP0 = 2.5L Power Tech ERH, ER0 = 4.0L Power Tech	DGG, DGD = 32RH 3 Spd. Auto. DDQ = 5 Spd. Manual DG0 = All Auto. Trans. DBB =All Manual Trans.

AR = Use as required - = Non illustrated part # = New this model year

June 7, 2002

Rear Drum Brakes 1998 TJ
Figure 005-210



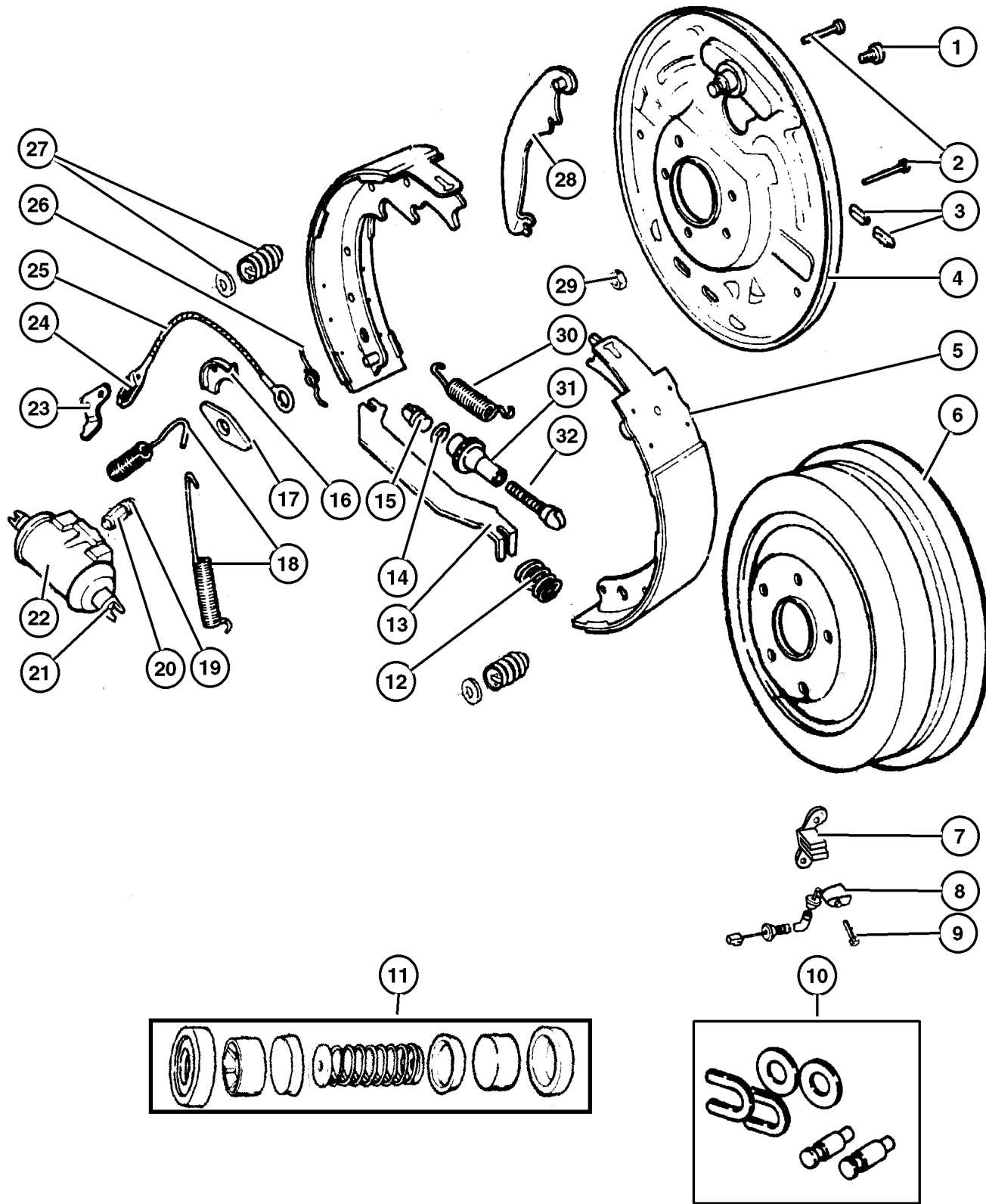
ITEM	PART NUMBER	QTY	LINE	BODY	DESCRIPTION
	4313 811	1	J		Left
	4313 810	1	U		Right
	4313 811	1	U		Left
29	J941 1783	8	J		NUT, Hex Flange Lock
		8	U		Backing Plate to Axle Housing, Mounting
30					SPRING, Brake Shoe to Shoe
	4423 085	1	J		
		1	U		
31					NUT, Rear Brake Auto Adjust Pivot
	2944 692	1	J		Right
	2944 693	1	J		Left
	2944 692	1	U		Right
	2944 693	1	U		Left
32					SCREW, Brake Adjusting
	4423 898	1	J		Right
	4423 899	1	J		Left
	4423 898	1	U		Right
	4423 899	1	U		Left

JEEP WRANGLER (TJ)
 SERIES LINE BODY ENGINE TRANSMISSION
 L=Low Line J = Wrangler 4WD 77 = 93.4 WB EPE, EP0 = 2.5L Power Tech DGG, DGD = 32RH 3 Spd. Auto.
 U = Wrangler 4WD (RHD) ERH, ER0 = 4.0L Power Tech DDQ = 5 Spd. Manual
 DG0 = All Auto. Trans.
 DBB =All Manual Trans.

AR = Use as required - = Non illustrated part # = New this model year

June 7, 2002

Rear Drum Brakes 1999 TJ
Figure 005-210



ITEM	PART NUMBER	QTY	LINE	BODY	DESCRIPTION
Note:Sales Codes;					
[BGA]=Brakes,- Power Front Disc/Rear Drum					
[BGK]=Brakes - 4-Wheel Antilock					
1	6028 921	2	J		BOLT, Hex Head Wheel Cylinder, Mounting
2	2260 548	2	U		Wheel Cylinder, Mounting
		2	U		PIN, Brake Shoe Hold Down
3	4238 721	1	J		PLUG, Brake Adjusting Hole
		1	U		
4	PLATE, Brake Backing				
	5017 760AA	1	J		[BGA], Right
	5017 761AA	1	J		[BGA], Left
	4856 718AB	1	J		[BGK], Right
	4856 719AB	1	J		[BGK], Left
5	SHOE AND LINING KIT, drum				
	5017 760AA	1	U		[BGA], Right
	5017 761AA	1	U		[BGA], Left
6	DRUM, Brake				
	5200 5350	2	J		
7	BRACKET, Brake Sensor				
	5602 6766	1	J		Right
8	SENSOR, Anti-Lock Brakes				
	5602 6767	1	J		Left
9	BOLT, Anti-Lock Brake Sensor, Mounting				
	8350 4920	2	J		
10	HARDWARE PACKAGE, Rear Brake				
	4049 681	1	J		
11	REPAIR KIT, Wheel Cylinder				
	5252 630	1	J		
12		1	U		SPRING, Parking Brake Strut, Purchase Strut, (NOT SERVICED)
13		1	U		STRUT, Parking Brake
14	4713 590	1	J		WASHER, Adjuster Button
		1	U		

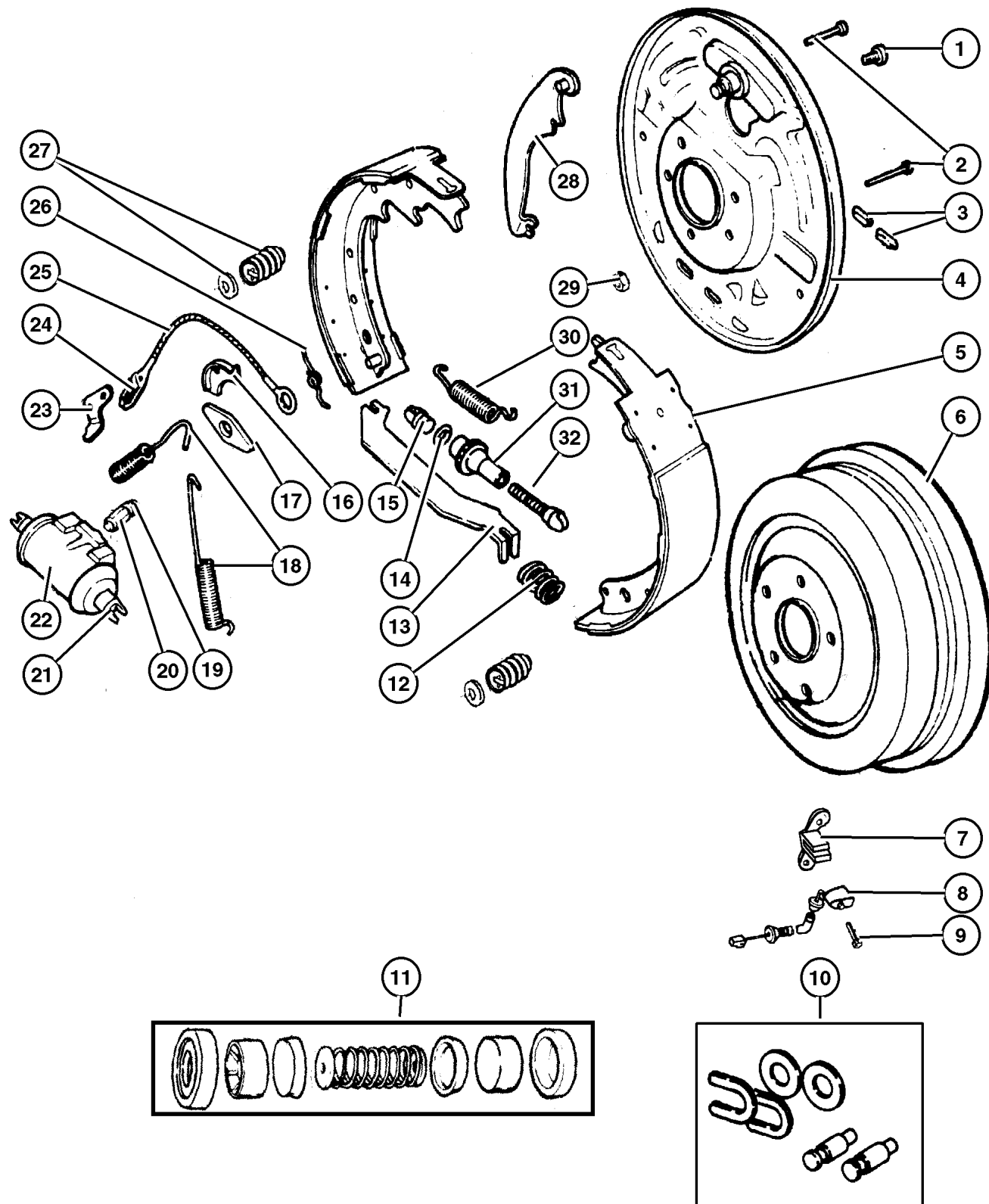
JEEP WRANGLER (TJ)

SERIES	LINE	BODY	ENGINE	TRANSMISSION
L=Low Line	J = Wrangler 4WD U = Wrangler 4WD (RHD)	77 = 93.4 WB	EPE, EP0 = 2.5L Power Tech ERH, ER0 = 4.0L Power Tech	DGG, DGD = 32RH 3 Spd. Auto. DDQ = 5 Spd. Manual DG0 = All Auto. Trans. DBB =All Manual Trans.

AR = Use as required - = Non illustrated part # = New this model year

June 7, 2002

Rear Drum Brakes 1999 TJ
Figure 005-210



ITEM	PART NUMBER	QTY	LINE	BODY	DESCRIPTION
	6027 559	1	J		
15		1	U		BUTTON, Rear Brake Auto Adjust
	2944 586	1	J		
		1	U		
16					GUIDE, Brake Adjusting Cable
	2260 793	1	J		
		1	U		
17					PLATE, Brake Shoe Guide
	4313 075	1	J		
		1	U		
18					SPRING, Brake Shoe Return
	2881 676	2	J		
		2	U		
19					CAP, Bleeder
	4238 717	1	J		
		1	U		
20					SCREW, Bleeder
	3766 674	1	J		
		1	U		
21					LINK, Brake, Purchase Wheel Cylinder , (NOT SERVICED)
22					CYLINDER, Wheel
	4423 601	1	J		
		1	U		
23					LEVER, Park Brake Adjusting
	4761 759	1	J		
		1	U		
24					SPRING, Adjuster Cable
	3461 660	1	J		
		1	U		
25					CABLE, Brake Automatic Adjuster
	3461 662	1	J		
		1	U		
26					SPRING, Brake Auto Adjuster Lever
	2944 580	1	J		Right
	2944 581	1	J		Left
	2944 580	1	U		Right
	2944 581	1	U		Left
27					SPRING, Brake Shoe Hold Down
	4313 062	2	J		
		2	U		
28					LEVER, Park Brake
	4313 810	1	J		Right

JEEP WRANGLER (TJ)

SERIES
L=Low Line

LINE
J = Wrangler 4WD
U = Wrangler 4WD (RHD)

BODY
77 = 93.4 WB

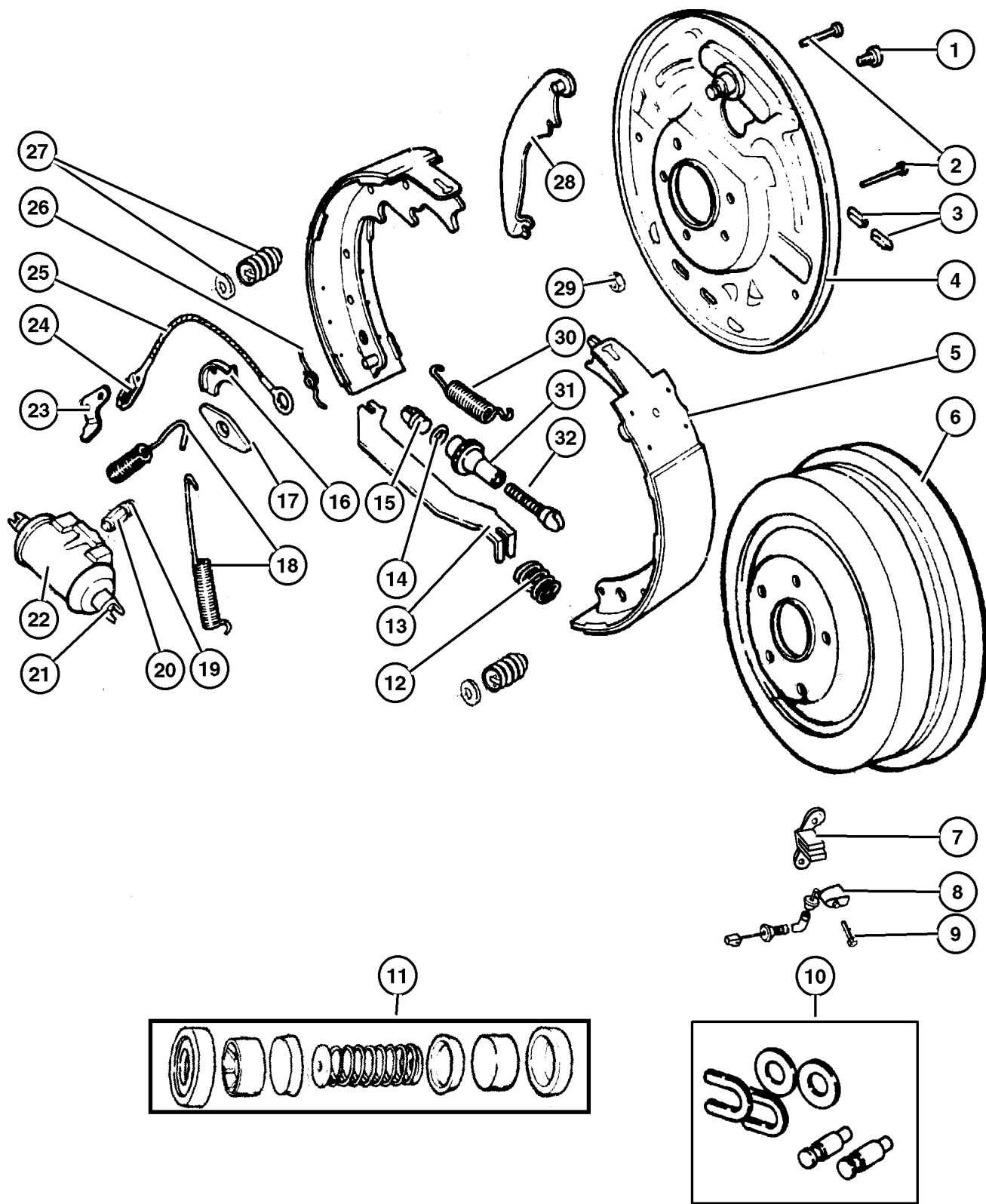
ENGINE
EPE, EP0 = 2.5L Power Tech
ERH, ER0 = 4.0L Power Tech

TRANSMISSION
DGG, DGD = 32RH 3 Spd. Auto.
DDQ = 5 Spd. Manual
DG0 = All Auto. Trans.
DBB =All Manual Trans.

AR = Use as required - = Non illustrated part # = New this model year

June 7, 2002

Rear Drum Brakes 1999 TJ
Figure 005-210



ITEM	PART NUMBER	QTY	LINE	BODY	DESCRIPTION
	4313 811	1	J		Left
	4313 810	1	U		Right
	4313 811	1	U		Left
29	J941 1783	8	J		NUT, Hex Flange Lock
		8	U		Backing Plate to Axle Housing, Mounting
30					Backing Plate to Axle Housing, Mounting
	4423 085	1	J		SPRING, Brake Shoe to Shoe
		1	U		
31					NUT, Rear Brake Auto Adjust Pivot
	2944 692	1	J		Right
	2944 693	1	J		Left
	2944 692	1	U		Right
	2944 693	1	U		Left
32					SCREW, Brake Adjusting
	4423 898	1	J		Right
	4423 899	1	J		Left
	4423 898	1	U		Right
	4423 899	1	U		Left

JEEP WRANGLER (TJ)

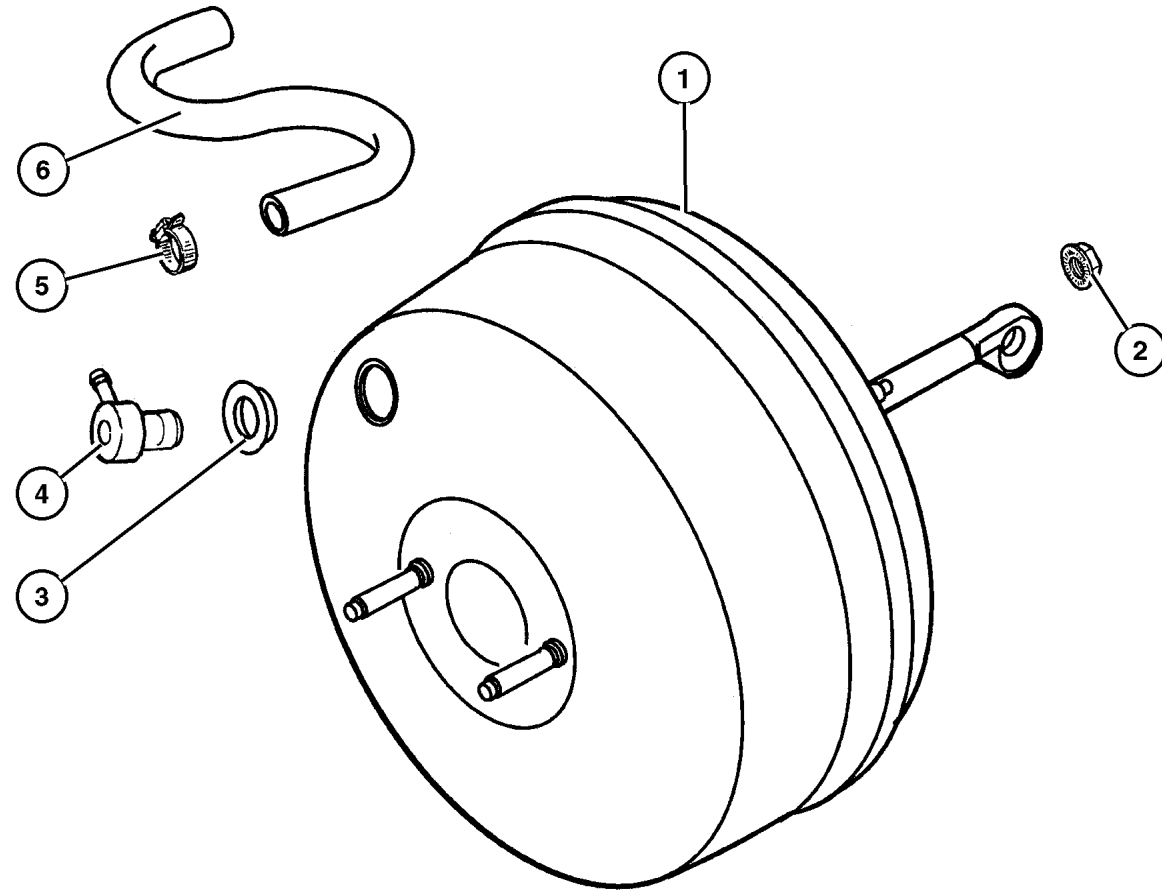
SERIES	LINE	BODY	ENGINE	TRANSMISSION
L=Low Line	J = Wrangler 4WD U = Wrangler 4WD (RHD)	77 = 93.4 WB	EPE, EP0 = 2.5L Power Tech ERH, ER0 = 4.0L Power Tech	DGG, DGD = 32RH 3 Spd. Auto. DDQ = 5 Spd. Manual DG0 = All Auto. Trans. DBB =All Manual Trans.

AR = Use as required - = Non illustrated part # = New this model year

June 7, 2002

Power Brake Booster 1997 TJ
Figure 005-310

ITEM	PART NUMBER	QTY	LINE	BODY	DESCRIPTION
Note:Sales Codes;					
[EP0]=Engines - All 2.5L 4 Cylinder Gas					
[ER0]=Engines - All 4.0L 6 Cylinder Gas					
1	4798 158	1			BOOSTER, Power Brake
2	J400 3909	4			NUT, Hex Flange With Serration, Booster to Dash, Mounting
3	4723 640	1			GROMMET, Brake Booster Check Valve
4	4584 098	1			VALVE, Brake Booster Check
5	2448 770	2			CLAMP, Hose
6					HOSE, Brake Booster
	5212 8229	1	J		[EP0]
	3879 277	1	J		[ER0]
	52008 715AB	1	U		[EP0]



JEEP WRANGLER (TJ)

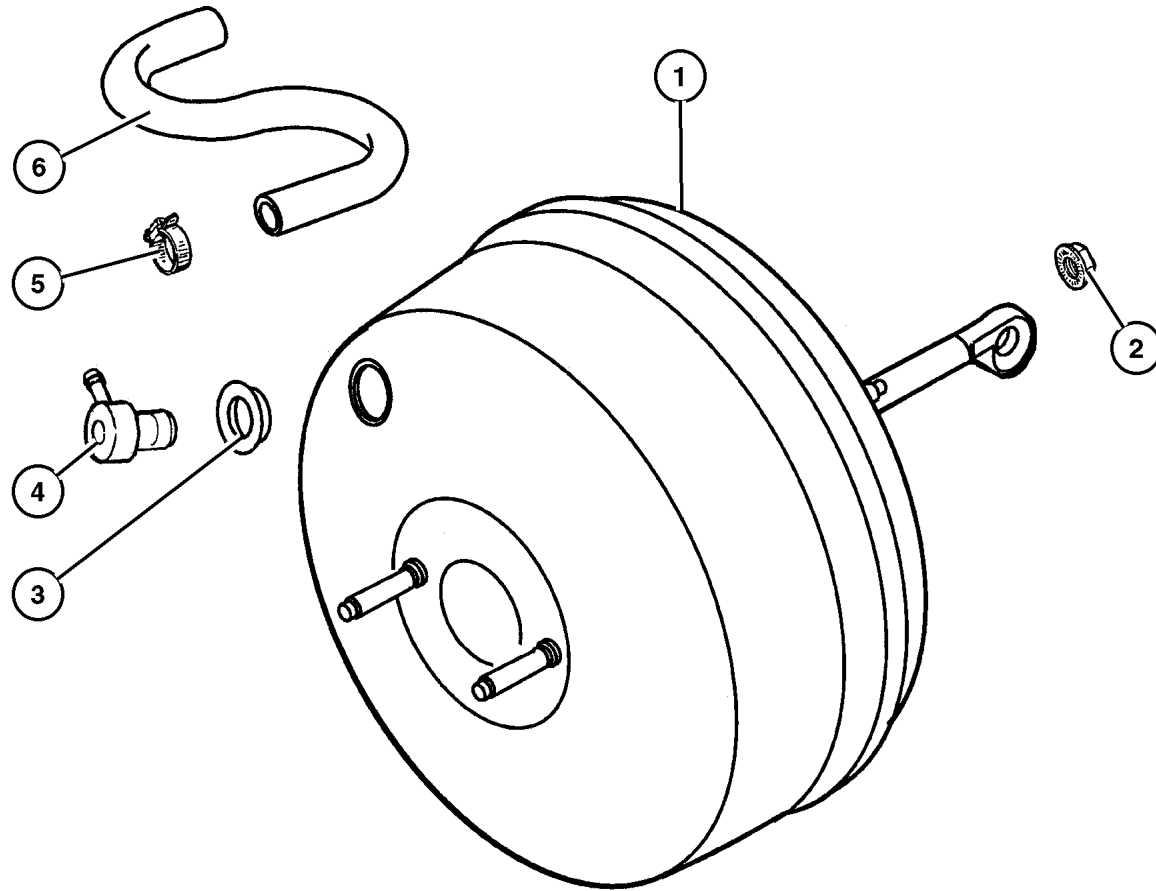
SERIES	LINE	BODY	ENGINE	TRANSMISSION
L=Low Line	J = Wrangler 4WD U = Wrangler 4WD (RHD)	77 = 93.4 WB	EPE, EP0 = 2.5L Power Tech ERH, ER0 = 4.0L Power Tech	DGG, DGD = 32RH 3 Spd. Auto. DDQ = 5 Spd. Manual DG0 = All Auto. Trans. DBB =All Manual Trans.

AR = Use as required - = Non illustrated part # = New this model year

June 7, 2002

Power Brake Booster 1998 TJ
Figure 005-310

ITEM	PART NUMBER	QTY	LINE	BODY	DESCRIPTION
Note:Sales Codes;					
[EP0]=Engines - All 2.5L 4 Cylinder Gas					
[ER0]=Engines - All 4.0L 6 Cylinder Gas					
1	4798 158	1			BOOSTER, Power Brake
2	J400 3909	4			NUT, Hex Flange With Serration, Booster to Dash, Mounting
3	4723 640	1			GROMMET, Brake Booster Check Valve
4	4584 098	1			VALVE, Brake Booster Check
5	2448 770	2			CLAMP, Hose
6					HOSE, Brake Booster
	52008 715AB	1	U		[EP0]
	52128 389AA	1	U		[ER0]
	3879 277	1	J		[ER0]
	5212 8229	1	J		[EP0]



JEEP WRANGLER (TJ)

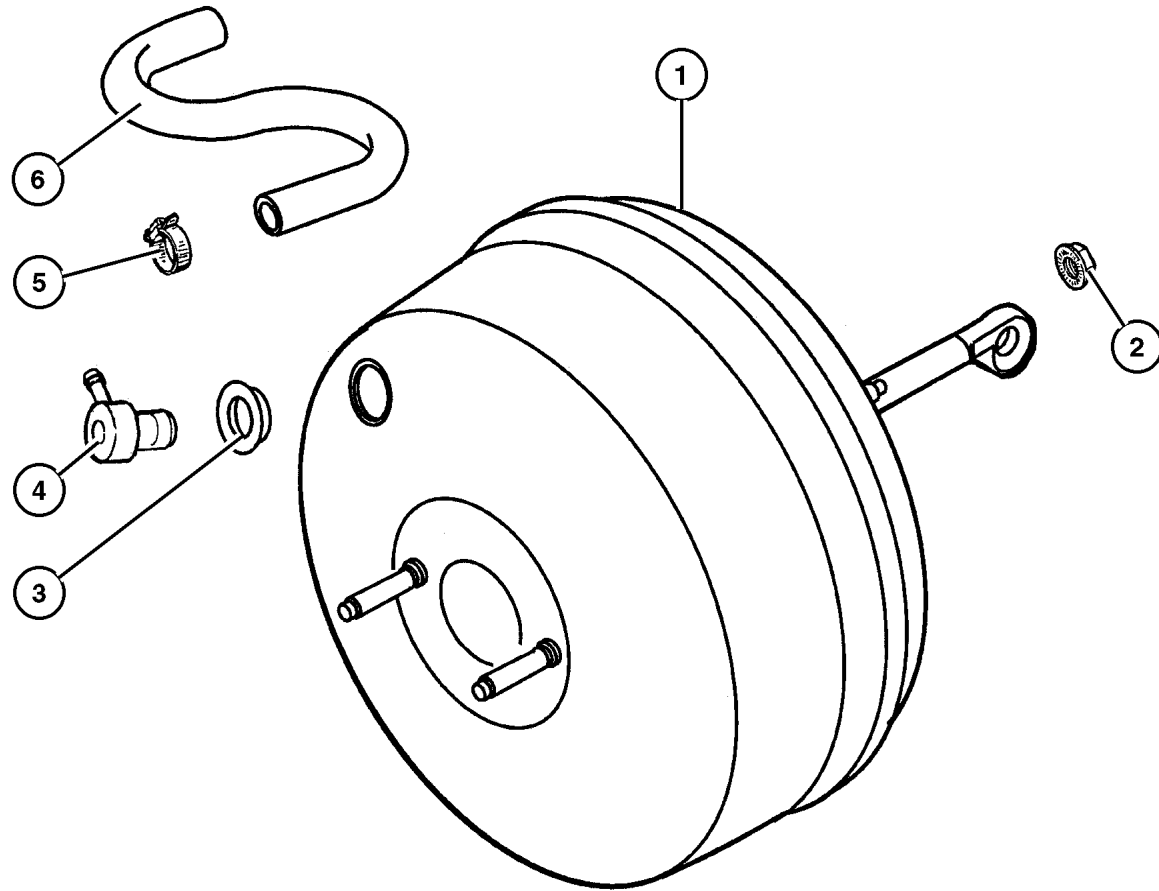
SERIES	LINE	BODY	ENGINE	TRANSMISSION
L=Low Line	J = Wrangler 4WD U = Wrangler 4WD (RHD)	77 = 93.4 WB	EPE, EP0 = 2.5L Power Tech ERH, ER0 = 4.0L Power Tech	DGG, DGD = 32RH 3 Spd. Auto. DDQ = 5 Spd. Manual DG0 = All Auto. Trans. DBB =All Manual Trans.

AR = Use as required - = Non illustrated part # = New this model year

June 7, 2002

Power Brake Booster 1999 TJ
Figure 005-310

ITEM	PART NUMBER	QTY	LINE	BODY	DESCRIPTION
Note:Sales Codes;					
[EP0]=Engines - All 2.5L 4 Cylinder Gas					
[ER0]=Engines - All 4.0L 6 Cylinder Gas					
1	4798 158	1			BOOSTER, Power Brake
2	J400 3909	4			NUT, Hex Flange With Serration, Booster to Dash, Mounting
3	4723 640	1			GROMMET, Brake Booster Check Valve
4	4584 098	1			VALVE, Brake Booster Check
5	2448 770	2			CLAMP, Hose
6					HOSE, Brake Booster
	5212 8229	1	J		[EP0]
	3879 277	1	J		[ER0]
	52008 715AB	1	U		[EP0]
	52128 389AA	1	U		[ER0]

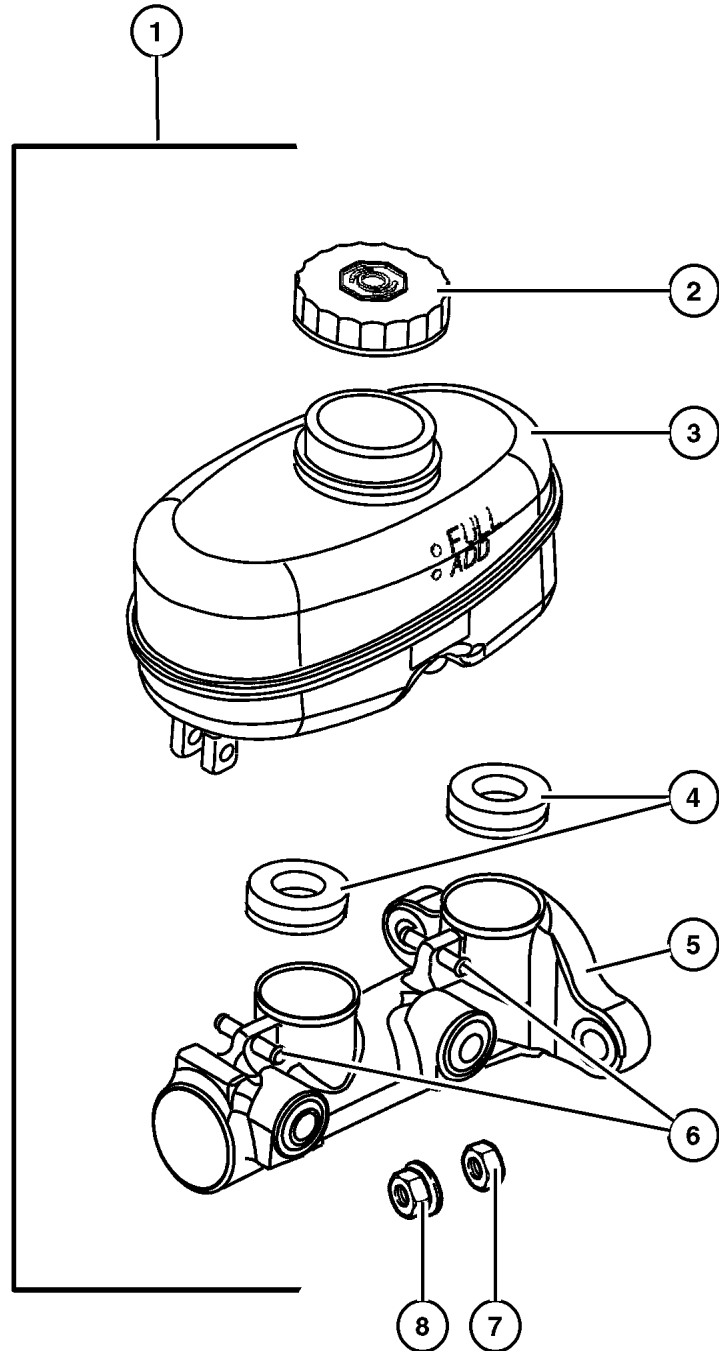


JEEP WRANGLER (TJ)				
SERIES	LINE	BODY	ENGINE	TRANSMISSION
L=Low Line	J = Wrangler 4WD U = Wrangler 4WD (RHD)	77 = 93.4 WB	EPE, EP0 = 2.5L Power Tech ERH, ER0 = 4.0L Power Tech	DGG, DGD = 32RH 3 Spd. Auto. DDQ = 5 Spd. Manual DG0 = All Auto. Trans. DBB =All Manual Trans.

AR = Use as required - = Non illustrated part # = New this model year

June 7, 2002

Master Cylinder 1997 TJ
Figure 005-410



ITEM	PART NUMBER	QTY	LINE	BODY	DESCRIPTION
1	4798 157	1			MASTER CYLINDER, Brake
2	4683 656	1			CAP, Master Cylinder Reservoir
3	4761 943	1			RESERVOIR, Brake Master Cylinder
4	4723 389	2			GROMMET, Master Cylinder Reservoir, Mounting
5	4723 395	1			SEAL, Master Cylinder To Booster, Mounting
6	4723 394	1			PIN, Master Cylinder Reservoir, Mounting
7	J400 3909	2			NUT, Hex Flange With Serration, Master Cylinder to Brake Booster Stud, Mounting
8	3420 1711	2			NUT, Hex Flange, M8x1.25, Combination Valve Bracket to Master Cylinder Stud, Mounting

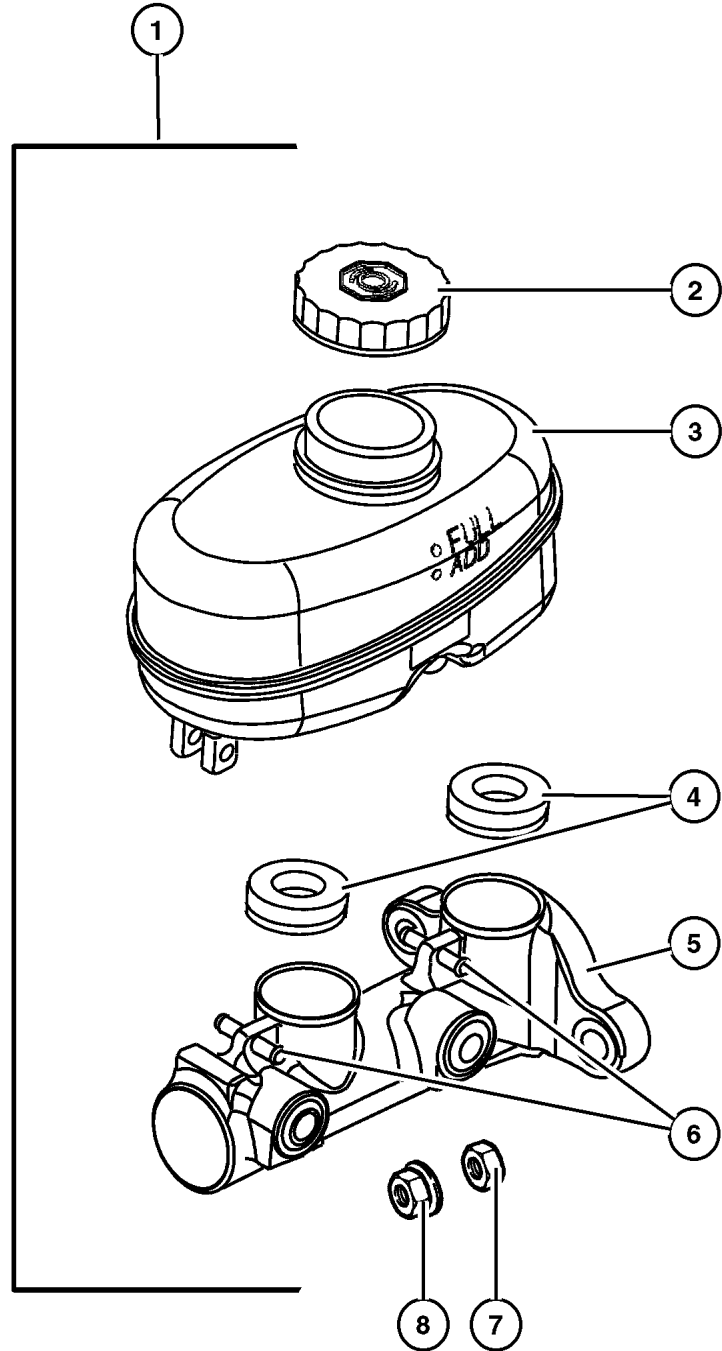
JEEP WRANGLER (TJ)

SERIES	LINE	BODY	ENGINE	TRANSMISSION
L=Low Line	J = Wrangler 4WD U = Wrangler 4WD (RHD)	77 = 93.4 WB	EPE, EP0 = 2.5L Power Tech ERH, ER0 = 4.0L Power Tech	DGG, DGD = 32RH 3 Spd. Auto. DDQ = 5 Spd. Manual DG0 = All Auto. Trans. DBB =All Manual Trans.

AR = Use as required - = Non illustrated part # = New this model year

June 7, 2002

Master Cylinder 1998 TJ
Figure 005-410



ITEM	PART NUMBER	QTY	LINE	BODY	DESCRIPTION
1	4798 157	1			MASTER CYLINDER, Brake
2	4683 656	1			CAP, Master Cylinder Reservoir
3	4761 943	1			RESERVOIR, Brake Master Cylinder
4	4723 389	2			GROMMET, Master Cylinder Reservoir, Mounting
5	4723 395	1			SEAL, Master Cylinder To Booster, Mounting
6	4723 394	1			PIN, Master Cylinder Reservoir, Mounting
7	J400 3909	2			NUT, Hex Flange With Serration, Master Cylinder to Brake Booster Stud, Mounting
8	3420 1711	2			NUT, Hex Flange, M8x1.25, Combination Valve Bracket to Master Cylinder Stud, Mounting

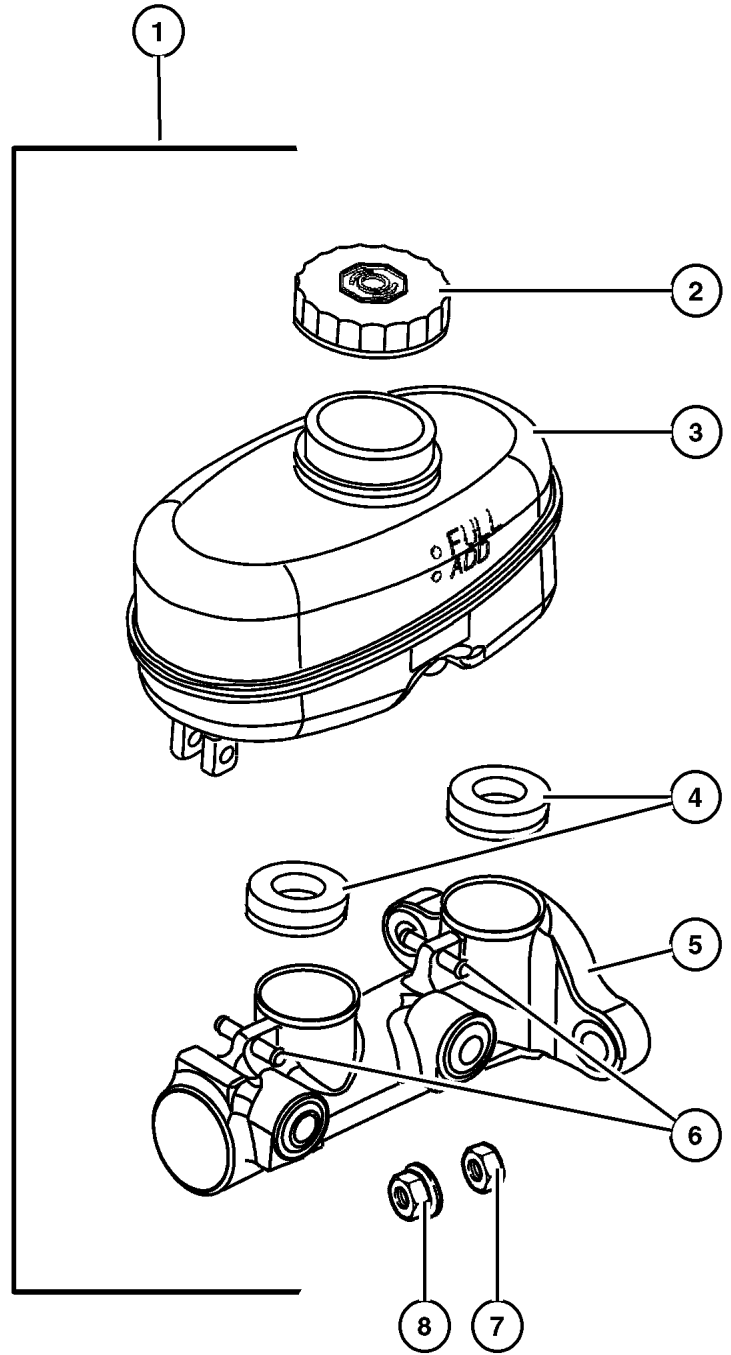
JEEP WRANGLER (TJ)

SERIES	LINE	BODY	ENGINE	TRANSMISSION
L=Low Line	J = Wrangler 4WD U = Wrangler 4WD (RHD)	77 = 93.4 WB	EPE, EP0 = 2.5L Power Tech ERH, ER0 = 4.0L Power Tech	DGG, DGD = 32RH 3 Spd. Auto. DDQ = 5 Spd. Manual DG0 = All Auto. Trans. DBB =All Manual Trans.

AR = Use as required - = Non illustrated part # = New this model year

June 7, 2002

Master Cylinder 1999 TJ
Figure 005-410



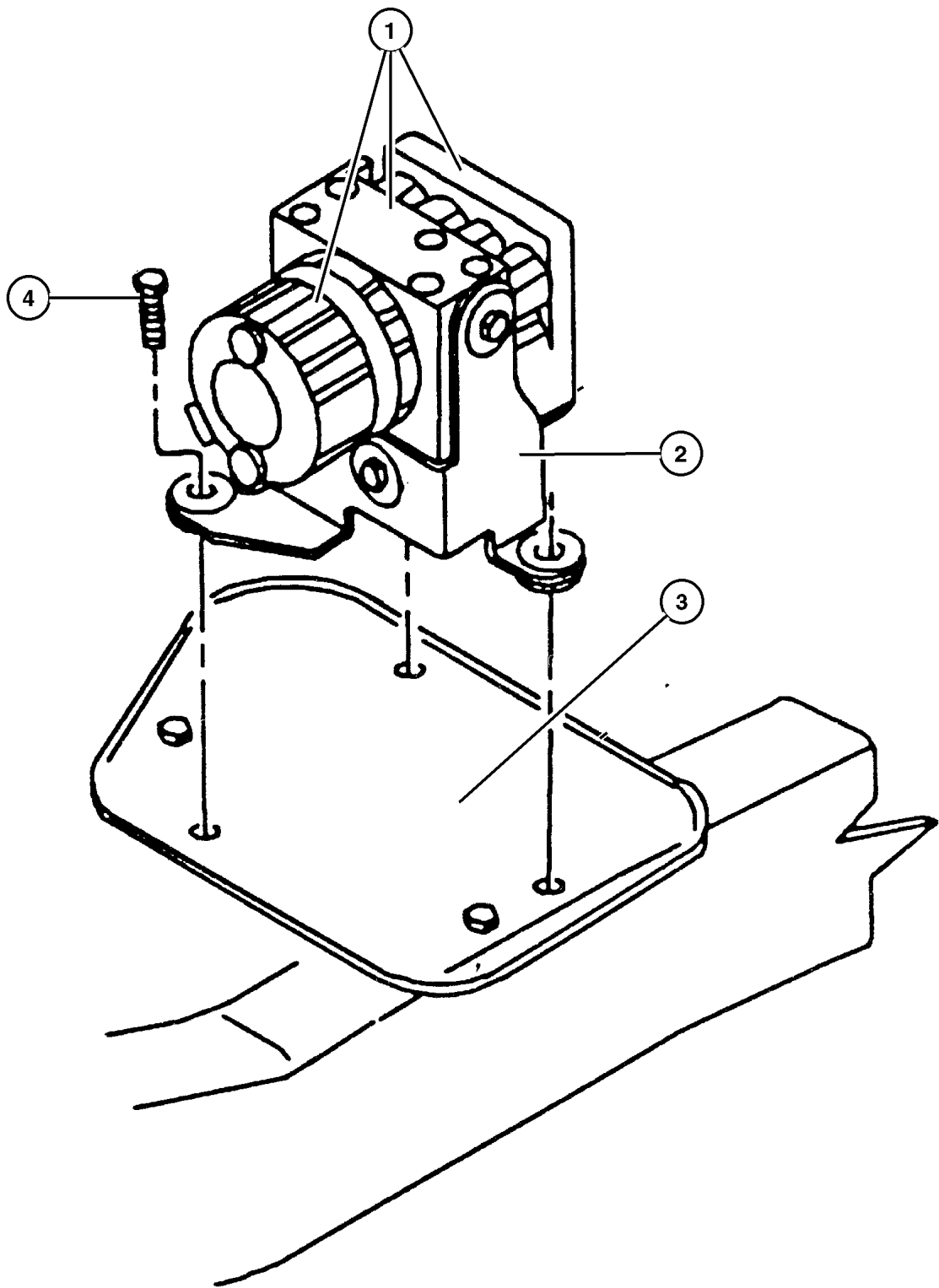
ITEM	PART NUMBER	QTY	LINE	BODY	DESCRIPTION
1	4798 157	1			MASTER CYLINDER, Brake
2	4683 656	1			CAP, Master Cylinder Reservoir
3	4761 943	1			RESERVOIR, Brake Master Cylinder
4	4723 389	2			GROMMET, Master Cylinder Reservoir, Mounting
5	4723 395	1			SEAL, Master Cylinder To Booster, Mounting
6	4723 394	1			PIN, Master Cylinder Reservoir, Mounting
7	J400 3909	2			NUT, Hex Flange With Serration, Master Cylinder to Brake Booster Stud, Mounting
8	3420 1711	2			NUT, Hex Flange, M8x1.25, Combination Valve Bracket to Master Cylinder Stud, Mounting

JEEP WRANGLER (TJ)				
SERIES	LINE	BODY	ENGINE	TRANSMISSION
L=Low Line	J = Wrangler 4WD U = Wrangler 4WD (RHD)	77 = 93.4 WB	EPE, EP0 = 2.5L Power Tech ERH, ER0 = 4.0L Power Tech	DGG, DGD = 32RH 3 Spd. Auto. DDQ = 5 Spd. Manual DG0 = All Auto. Trans. DBB =All Manual Trans.

AR = Use as required - = Non illustrated part # = New this model year

June 7, 2002

Hydraulic Control Unit, Anti-Lock Brake 1997 TJ
Figure 005-510



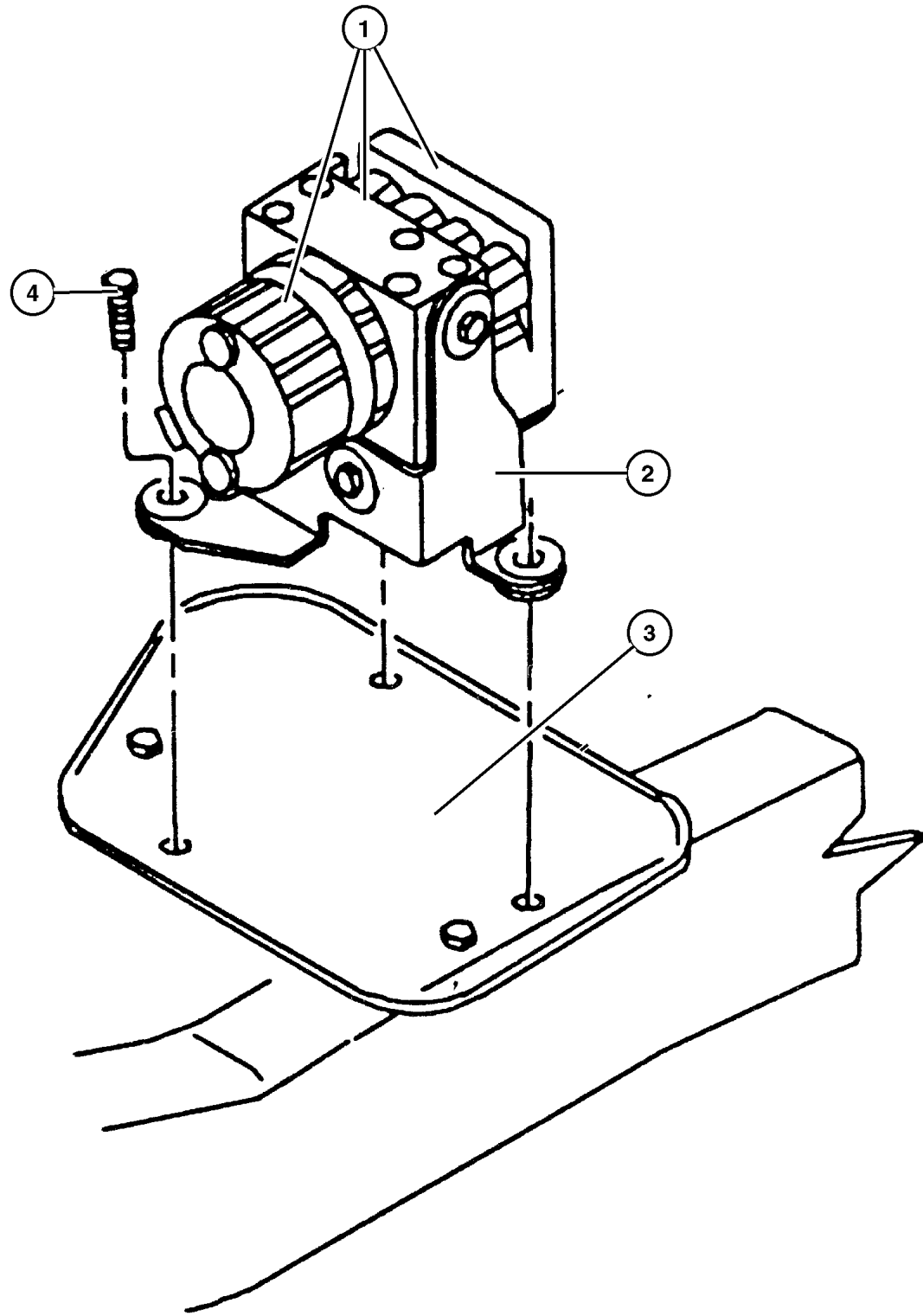
ITEM	PART NUMBER	QTY	LINE	BODY	DESCRIPTION
1	5212 7930	1			CONTROL UNIT, Anti-Lock Brake
2	5200 8401	1			BRACKET, Brake Control Unit
3					BRACKET, ABS Sensor
	5517 6141	1	J		HCU Mounting Tray
	5517 6142	1	U		HCU Mounting Tray
4	3420 1888	3			SCREW, Hex Head, HCU Bracket to Tray, Mounting

JEEP WRANGLER (TJ)				
SERIES	LINE	BODY	ENGINE	TRANSMISSION
L=Low Line	J = Wrangler 4WD U = Wrangler 4WD (RHD)	77 = 93.4 WB	EPE, EP0 = 2.5L Power Tech ERH, ER0 = 4.0L Power Tech	DGG, DGD = 32RH 3 Spd. Auto. DDQ = 5 Spd. Manual DG0 = All Auto. Trans. DBB =All Manual Trans.

AR = Use as required - = Non illustrated part # = New this model year

June 7, 2002

Hydraulic Control Unit, Anti-Lock 1998 TJ
Figure 005-510



ITEM	PART NUMBER	QTY	LINE	BODY	DESCRIPTION
1	5212 7930	1			CONTROL UNIT, Anti-Lock Brake
2	5200 8401	1			BRACKET, Brake Control Unit
3					BRACKET, ABS Sensor
	5517 6141	1	J		HCU Mounting Tray
	5517 6142	1	U		HCU Mounting Tray
4	3420 1888	3			SCREW, Hex Head, HCU Bracket to Tray, Mounting

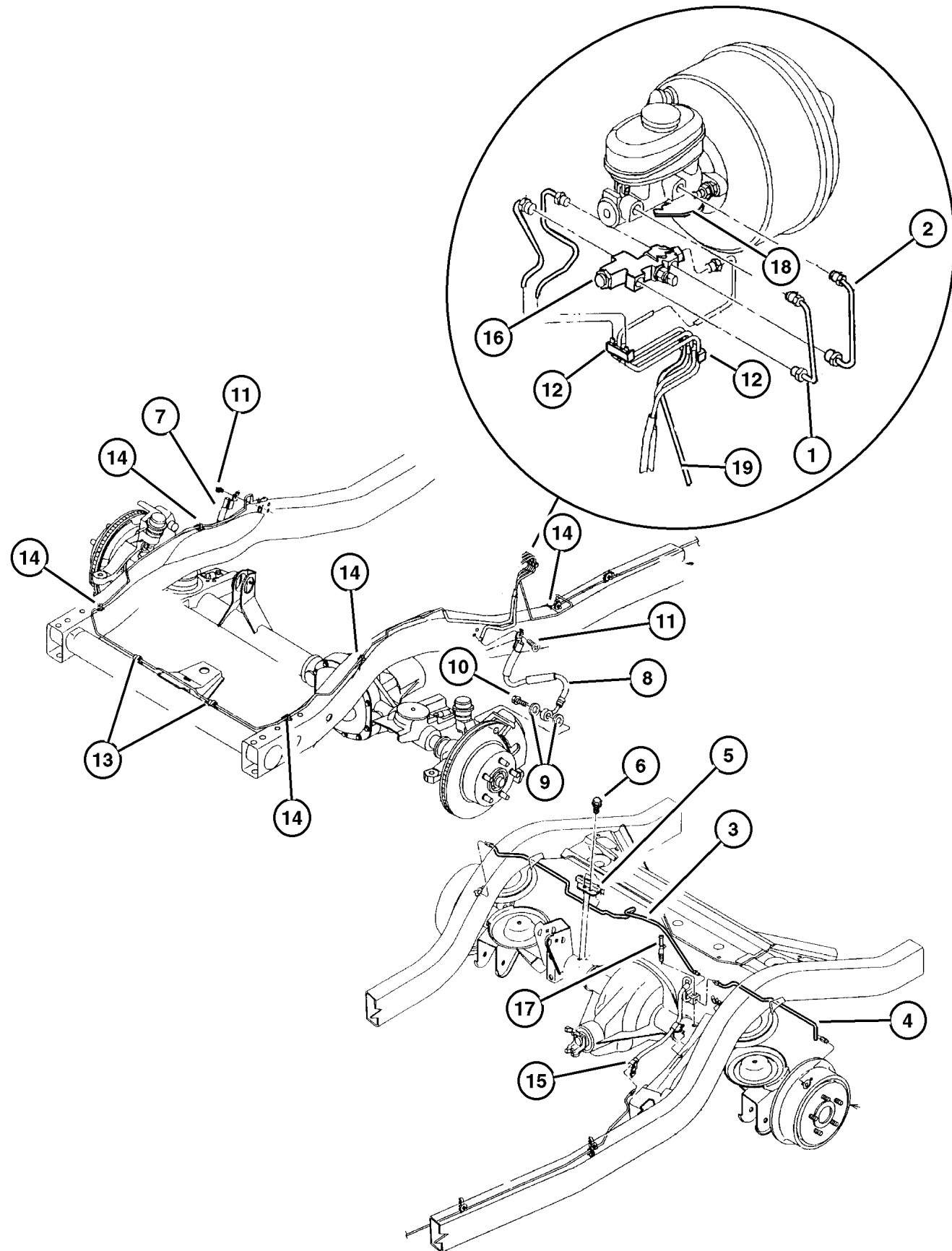
JEEP WRANGLER (TJ)

SERIES	LINE	BODY	ENGINE	TRANSMISSION
L=Low Line	J = Wrangler 4WD U = Wrangler 4WD (RHD)	77 = 93.4 WB	EPE, EP0 = 2.5L Power Tech ERH, ER0 = 4.0L Power Tech	DGG, DGD = 32RH 3 Spd. Auto. DDQ = 5 Spd. Manual DG0 = All Auto. Trans. DBB =All Manual Trans.

AR = Use as required - = Non illustrated part # = New this model year

June 7, 2002

**Brake Lines and Hoses w/o ABS Brakes 1997 TJ
Figure 005-520**



ITEM	PART NUMBER	QTY	LINE	BODY	DESCRIPTION
1	5200 8398	1			TUBE, Brake, Master Cylinder To Combo Valve, Primary
2	5200 8399	1			TUBE, Brake, Master Cylinder To Combo Valve, Secondary
3	5200 8402	1			TUBE, Brake Rear Axle To Rt. Brake, Dana 35
	5200 9092	1			Rear Axle To Rt. Brake, Dana 44
4	5200 8403	1			TUBE, Brake Rear Axle To Lt. Brake, Dana 35
	5200 9093	1			Rear Axle To Lt. Brake, Dana 44
5	5212 8189	1			SHIELD, Brake Line, Tube Rear Axle
6					SCREW, M6x1.00x14.00 (Not Serv.), (NOT SERVICED)
7	5200 8674	1			HOSE, Brake, Front Right
8	5200 8675	1			HOSE, Brake, Front Left
9	J323 7672	4			GASKET, Brake Hose To Caliper
10	J400 6700	2			BOLT, Hex Head, .375-24x1.03 Grade 8, .375-24x1.030
11	3420 1670	2			SCREW, Pan Head, M8-1.25x13, M8x1.25x13.00
12	5200 8193	2			CLIP, Brake Tube, Line Spacer
13	5212 8175	2			CLIP, Brake Attaching Tube, 3 Way, Brake Tube, Brake Tube
14	3420 2688	5	J		CLIP, Latch&Line Brake Tubes To Frame
		1	U		Brake Tubes To Frame
15	5200 8391	1			HOSE, Brake, Rear Brake
16	5200 9115	1			VALVE, Combination
17	4137 696	1			SCREW, Brake Tee, .437-20x2.07, Rear Axle Vent and Hose Mounting
18	5212 7970	1			BRACKET, Brake Valve, Brake Valve To Master Cylinder
19	5200 8385	1	J		TUBE, Brake, Combo Valve to Rear Brake Hose

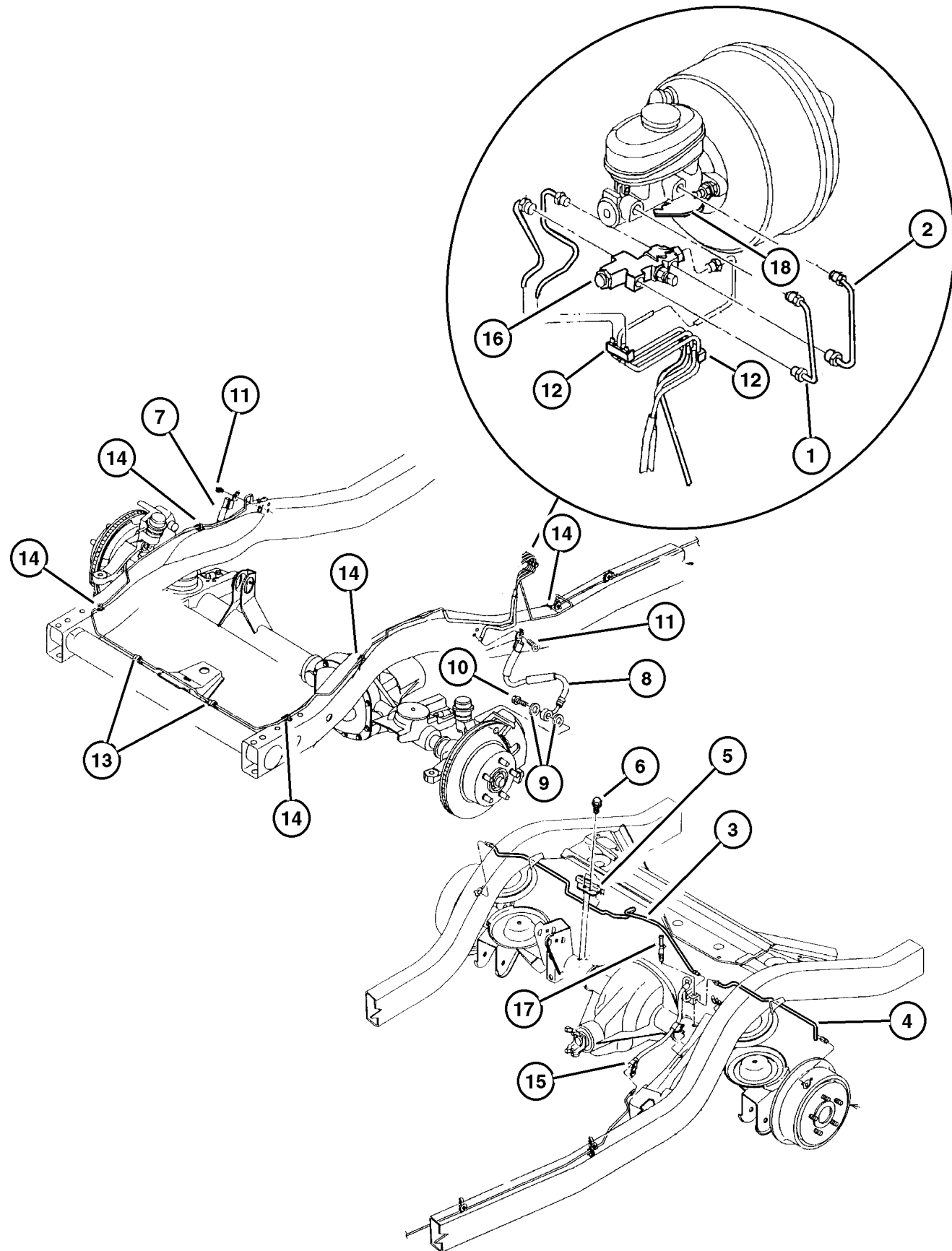
JEEP WRANGLER (TJ)

SERIES	LINE	BODY	ENGINE	TRANSMISSION
L=Low Line	J = Wrangler 4WD U = Wrangler 4WD (RHD)	77 = 93.4 WB	EPE, EP0 = 2.5L Power Tech ERH, ER0 = 4.0L Power Tech	DGG, DGD = 32RH 3 Spd. Auto. DDQ = 5 Spd. Manual DG0 = All Auto. Trans. DBB =All Manual Trans.

AR = Use as required - = Non illustrated part # = New this model year

June 7, 2002

**Brake Lines and Hoses w/o ABS Brakes 1998 TJ
Figure 005-520**



ITEM	PART NUMBER	QTY	LINE	BODY	DESCRIPTION
1	5200 8398	1			TUBE, Brake, Master Cylinder To Combo Valve, Primary
2	5200 8399	1			TUBE, Brake, Master Cylinder To Combo Valve, Secondary
3					TUBE, Brake
	5200 8402	1			Rear Axle To Rt. Brake, Dana 35
	5200 9092	1			Rear Axle To Rt. Brake, Dana 44
4					TUBE, Brake
	5200 8403	1			Rear Axle To Lt. Brake, Dana 35
	5200 9093	1			Rear Axle To Lt. Brake, Dana 44
5	5212 8189	1			SHIELD, Brake Line, Tube Rear Axle
6					SCREW, M6x1.00x14.00 (Not Serv.), (NOT SERVICED)
7	5200 8674	1			HOSE, Brake, Front Right
8	5200 8675	1			HOSE, Brake, Front Left
9	J323 7672	4			GASKET, Brake Hose To Caliper
10	J400 6700	2			BOLT, Hex Head, .375-24x1.03 Grade 8
11	3420 1670	2			SCREW, Pan Head, M8-1.25x13, M8x1.25x13.00
12	52128 245AA	2			CLIP, Brake Tube
13	5212 8175	2			CLIP, Brake Attaching Tube, 3 Way
14					CLIP, Latch&Line
	3420 2688	5		J	Brake Tubes To Frame
		2		U	Brake Tubes To Frame
15	5200 8391	1			HOSE, Brake, Rear Brake
16	5200 8549	1			VALVE, Combination, w/o Bracket , Brake Combination
17	4137 696	1			SCREW, Brake Tee, .437-20x2.07
18	5212 7970	1			BRACKET, Brake Valve, Brake Valve To Master Cylinder

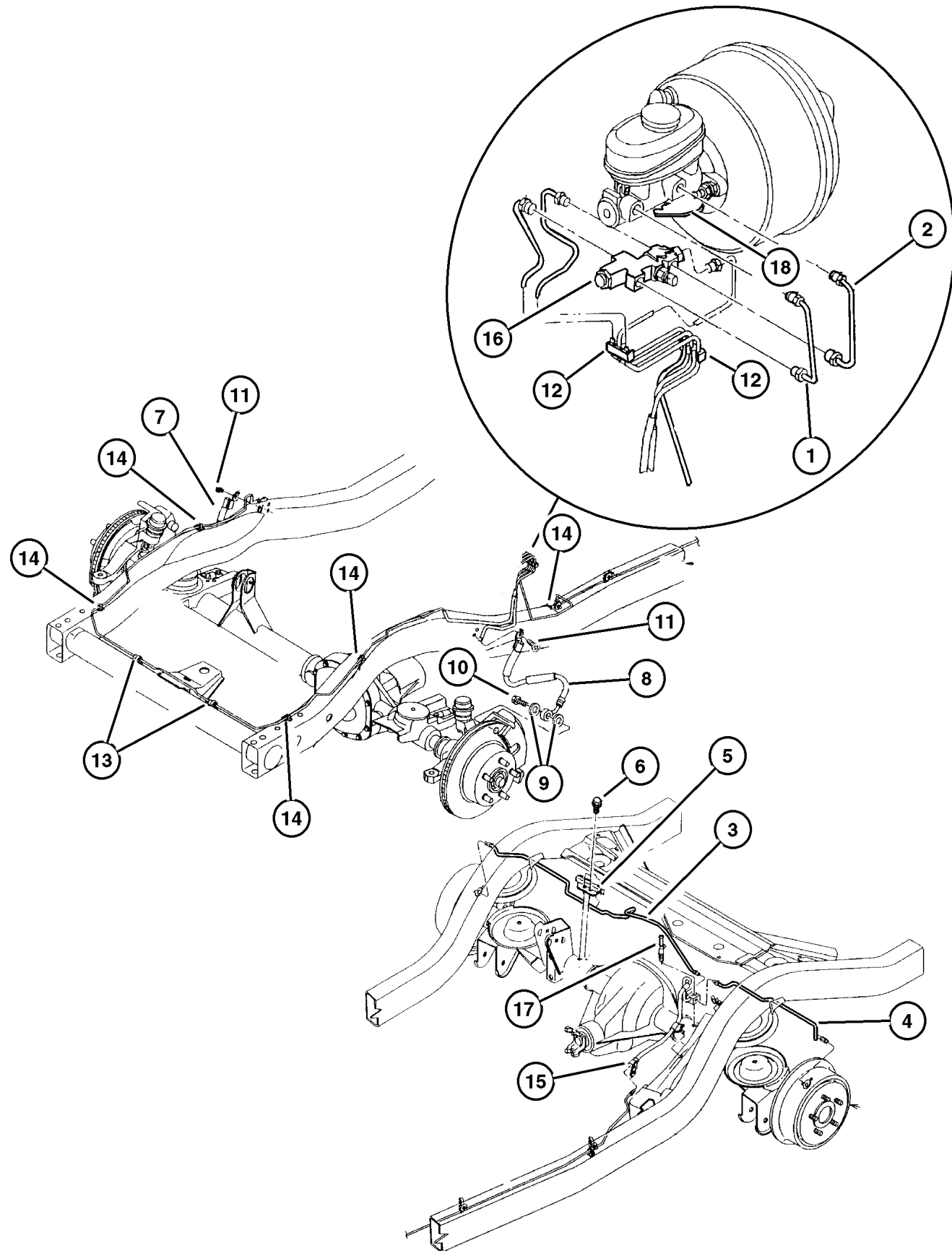
JEEP WRANGLER (TJ)

SERIES	LINE	BODY	ENGINE	TRANSMISSION
L=Low Line	J = Wrangler 4WD U = Wrangler 4WD (RHD)	77 = 93.4 WB	EPE, EP0 = 2.5L Power Tech ERH, ER0 = 4.0L Power Tech	DGG, DGD = 32RH 3 Spd. Auto. DDQ = 5 Spd. Manual DG0 = All Auto. Trans. DBB =All Manual Trans.

AR = Use as required - = Non illustrated part # = New this model year

June 7, 2002

**Brake Lines and Hoses w/o ABS Brakes 1999 TJ
Figure 005-520**



ITEM	PART NUMBER	QTY	LINE	BODY	DESCRIPTION
1	5200 8398	1			TUBE, Brake, Master Cylinder To Combo Valve, Primary
2	5200 8399	1			TUBE, Brake, Master Cylinder To Combo Valve, Secondary
3	5200 8402	1			TUBE, Brake Rear Axle To Rt. Brake, Dana 35
	5200 9092	1			Rear Axle To Rt. Brake, Dana 44
4	5200 8403	1			TUBE, Brake Rear Axle To Lt. Brake, Dana 35
	5200 9093	1			Rear Axle To Lt. Brake, Dana 44
5	5212 8189	1			SHIELD, Brake Line, Tube Rear Axle
6					SCREW, M6x1.00x14.00 (Not Serv.), (NOT SERVICED)
7	5200 8674	1			HOSE, Brake, Front Right
8					HOSE, Brake Front,Right
	5200 8674	1			Front Left
	5200 8675	1			Front Left
9	J323 7672	4			GASKET, Brake Hose To Caliper
10	J400 6700	2			BOLT, Hex Head, .375-24x1.03 Grade 8
11	3420 1670	2			SCREW, Pan Head, M8-1.25x13, M8x1.25x13.00
12	52128 245AA	2			CLIP, Brake Tube
13	5212 8175	2			CLIP, Brake Attaching Tube, 3 Way, Brake Tube, Brake Tube
14					CLIP, Latch&Line
	3420 2688	5	J		Brake Tubes To Frame
		1	U		Brake Tubes To Frame
15	5200 8391	1			HOSE, Brake, Rear Brake
16	5200 9115	1			VALVE, Combination
17	4137 696	1			SCREW, Brake Tee, .437-20x2.07
18	5212 7970	1			BRACKET, Brake Valve, Brake Valve To Master Cylinder

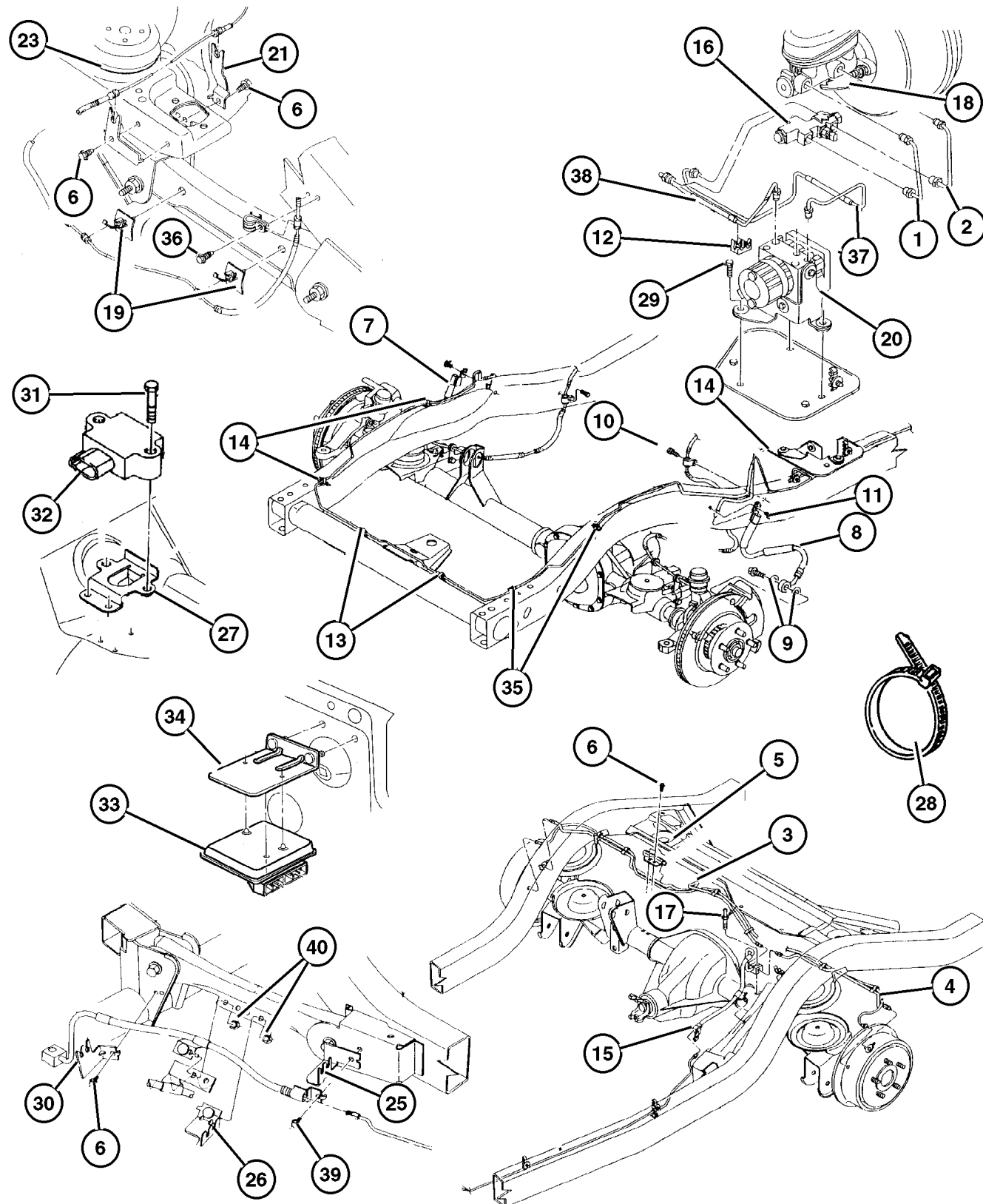
JEEP WRANGLER (TJ)

SERIES	LINE	BODY	ENGINE	TRANSMISSION
L=Low Line	J = Wrangler 4WD U = Wrangler 4WD (RHD)	77 = 93.4 WB	EPE, EP0 = 2.5L Power Tech ERH, ER0 = 4.0L Power Tech	DGG, DGD = 32RH 3 Spd. Auto. DDQ = 5 Spd. Manual DG0 = All Auto. Trans. DBB =All Manual Trans.

AR = Use as required - = Non illustrated part # = New this model year

June 7, 2002

Brake Lines and Hoses w/ABS Brakes 1997 TJ Figure 005-530



ITEM	PART NUMBER	QTY	LINE	BODY	DESCRIPTION
1	5200 8398	1			TUBE, Brake, Master Cylinder To Combo Valve, Primary
2	5200 8399	1			TUBE, Brake, Master Cylinder To Combo Valve, Secondary
3	5200 8402	1			TUBE, Brake, Rear Axle To Rt. Brake
4	5200 8403	1			TUBE, Brake, Rear Axle To Lt. Brake
5	5212 8189	1			SHIELD, Brake Line, Tube Rear Axle
6					SCREW, M6x1.00x14.00 (Not Serv.), (NOT SERVICED)
7	5200 8674	1			HOSE, Brake, Front Brake Rt.
8	5200 8675	1			HOSE, Brake, Front Brake Lt.
9	J323 7672	4			GASKET, Brake Hose To Caliper, Brake Hose
10	J400 6700	2			BOLT, Hex Head, .375-24x1.03 Grade 8, .375-24x1.030
11	3420 1670	2			SCREW, Pan Head, M8-1.25x13, M8x1.25x13.00
12	5200 8940	1			CLIP, Brake Line, Line Spacer Rt.
13	5212 8175	2			CLIP, Brake Attaching Tube, 3 Way, Brake Tube
14					CLIP, Latch&Line
	3420 2688	5	J		Brake Tube To Frame
		1	U		Brake Tube To Frame
15	5200 8391	1			HOSE, Brake, Rear Brake
16	5200 8549	1			VALVE, Combination, w/o Bracket, Brake Combination
17	4137 696	1			SCREW, Brake Tee, .437-20x2.07, Rear Axle Vent and Hose Mounting
18	5212 7970	1			BRACKET, Brake Valve, Brake Valve To Master Cylinder
19	5212 8162	4			RETAINER, Push On, ABS Sensor To Frame
20					CONTROL UNIT, Anti-Lock Brake
	5212 7930	1	J	77	ABS Brakes
		1	U	77	ABS Brakes
21	5200 8780	1			BRACKET, Shock Absorber, Sensor Outer Rt.
-22	5200 8781	1			BRACKET, Shock Absorber, Sensor Outer Lt.
23	5200 8884	1			BRACKET, Shock Absorber, Sensor Inner Rt.
-24	5200 8885	1			BRACKET, Shock Absorber, Sensor Inner Lt.
25	5200 8919	1			BRACKET, ABS Sensor, Sensor Wire To Frame
26	5200 8920	1			BRACKET, ABS Sensor, Sensor To Upper Control Arm Lt.
27	5602 7944	1			BRACKET, ABS Sensor, G-Sensor Mounting
28	4641 780	1			STRAP, Tie, Cable Tie
29	3420 1888	3			SCREW, Hex Head
30	5602 6757	1			BRACKET, Anti-Lock Brake Sensor, Sensor Wire To Rear Axle
31	6035 991AA	2			SCREW, Hex Flange Head
32	5600 6315	1			SWITCH, Anti Lock Brake Accelarat, ABS Acceleration
33	56027 271AB	1			MODULE, Anti-Lock Brake System, Brake Adaptive
34	5602 7878	1			BRACKET, Module, Module Mounting
35	5212 8175	2			CLIP, Brake Attaching Tube, 3 Way
36					SCREW, w/Washer M8x1.25x25.00 (Not Serv.), (NOT SERVICED)

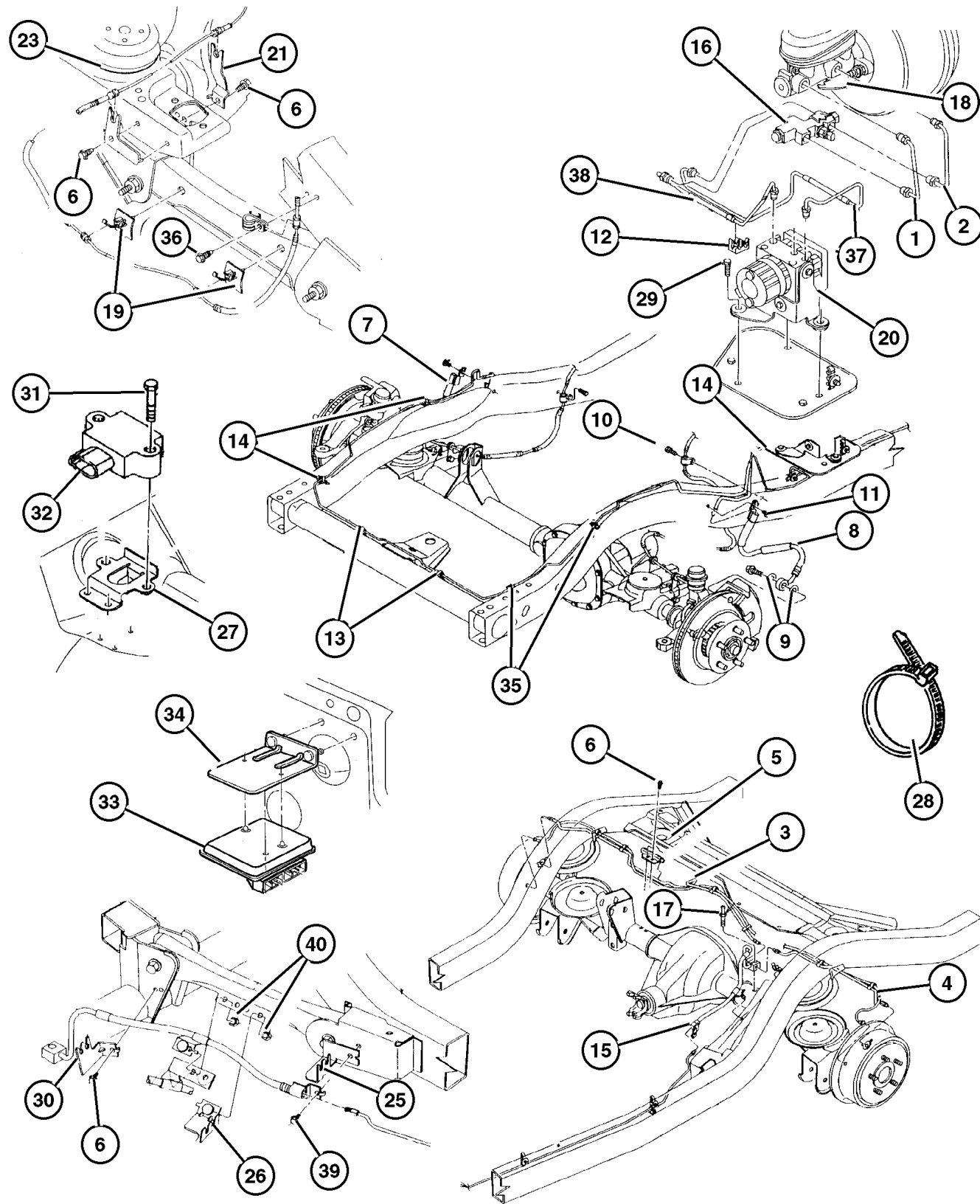
JEEP WRANGLER (TJ)

SERIES	LINE	BODY	ENGINE	TRANSMISSION
L=Low Line	J = Wrangler 4WD U = Wrangler 4WD (RHD)	77 = 93.4 WB	EPE, EP0 = 2.5L Power Tech ERH, ER0 = 4.0L Power Tech	DGG, DGD = 32RH 3 Spd. Auto. DDQ = 5 Spd. Manual DGO = All Auto. Trans. DBB =All Manual Trans.

AR = Use as required - = Non illustrated part # = New this model year

June 7, 2002

Brake Lines and Hoses w/ABS Brakes 1997 TJ
Figure 005-530



ITEM	PART NUMBER	QTY	LINE	BODY	DESCRIPTION
37	5200 8641	1	J		HOSE, Brake, Combo Valve To HCU, Secondary
38	5200 8640	1	J		HOSE, Brake, Combo Valve To HCU, Primary
39	6502 711	1			BOLT, ABS Sensor, M8x1.25x20.00
40	6101 695	2			NUT, Hex Flange Lock, M8x1.25, M8x1.25

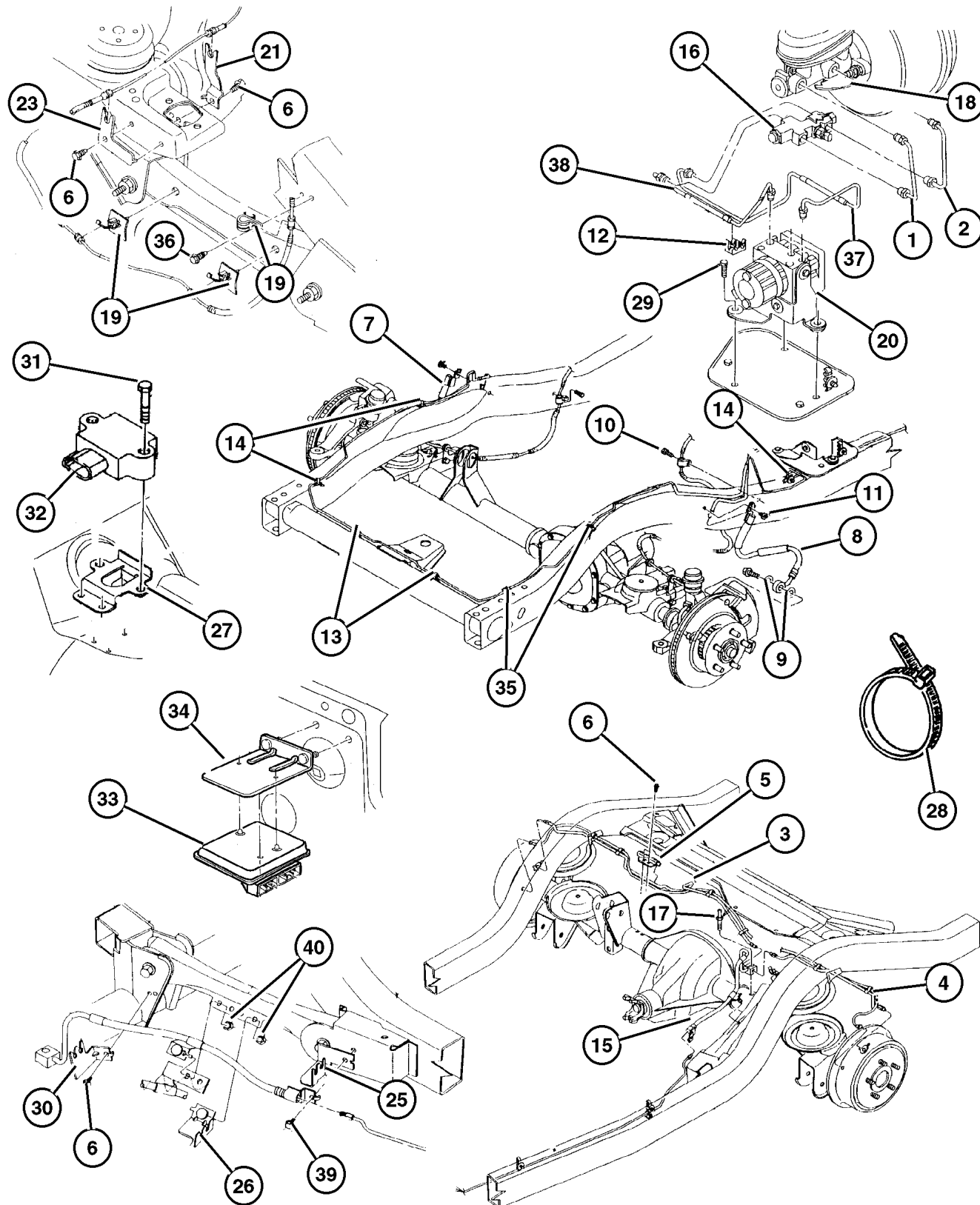
JEEP WRANGLER (TJ)

SERIES	LINE	BODY	ENGINE	TRANSMISSION
L=Low Line	J = Wrangler 4WD U = Wrangler 4WD (RHD)	77 = 93.4 WB	EPE, EP0 = 2.5L Power Tech ERH, ER0 = 4.0L Power Tech	DGG, DGD = 32RH 3 Spd. Auto. DDQ = 5 Spd. Manual DG0 = All Auto. Trans. DBB =All Manual Trans.

AR = Use as required - = Non illustrated part # = New this model year

June 7, 2002

Brake Lines and Hoses w/ABS Brakes 1998 TJ Figure 005-530



ITEM	PART NUMBER	QTY	LINE	BODY	DESCRIPTION
1	5200 8398	1			TUBE, Brake, Master Cylinder To Combo Valve, Primary
2	5200 8399	1			TUBE, Brake, Master Cylinder To Combo Valve, Secondary
3	5200 8402	1			TUBE, Brake, Rear Axle To Rt. Brake
4	5200 8403	1			TUBE, Brake, Rear Axle To Lt. Brake
5	5212 8189	1			SHIELD, Brake Line, Tube Rear Axle
6	3420 1912	2			SCREW, Self Tapping, M6x1x14, M6x1.00x14.00 (Not Serv.)
7	5200 8674	1			HOSE, Brake, Front Brake Rt.
8	5200 8675	1			HOSE, Brake, Front Brake Lt.
9	J323 7672	4			GASKET, Brake Hose To Caliper, Brake Hose
10	3420 1670	2			SCREW, Pan Head, M8-1.25x13
11	3420 1670	2			SCREW, Pan Head, M8-1.25x13
12	5200 8940	1			CLIP, Brake Line, Line Spacer Rt.
13	5212 8175	2			CLIP, Brake Attaching Tube, 3 Way, Brake Tube
14					CLIP, Latch&Line
	3420 2688	5	J		Brake Tube To Frame
		2	U		
15	5200 8391	1			HOSE, Brake, Rear Brake
16	5200 8549	1			VALVE, Combination, w/o Bracket, Brake Combination
17	4137 696	1			SCREW, Brake Tee, .437-20x2.07
18	5212 7970	1			BRACKET, Brake Valve, Brake Valve To Master Cylinder
19	5212 8162	4			RETAINER, Push On, ABS Sensor To Frame
20	5212 7930	1			CONTROL UNIT, Anti-Lock Brake
21	5200 8780	1			BRACKET, Shock Absorber, Sensor Outer Rt.
-22	5200 8781	1			BRACKET, Shock Absorber, Sensor Outer Lt.
23	5200 8884	1			BRACKET, Shock Absorber, Sensor Inner Rt.
-24	5200 8885	1			BRACKET, Shock Absorber, Sensor Inner Lt.
25	5200 8919	1			BRACKET, ABS Sensor, Sensor Wire To Frame
26	5200 8920	1			BRACKET, ABS Sensor, Sensor To Upper Control Arm Lt.
27	5602 7944	1			BRACKET, ABS Sensor, G-Sensor Mounting
28	4641 780	1			STRAP, Tie, Cable Tie
29	3420 1888	3			SCREW, Hex Head
30	5602 6757	1			BRACKET, Anti-Lock Brake Sensor, Sensor Wire To Rear Axle
31	6035 991AA	2			SCREW, Hex Flange Head
32	5600 6315	1			SWITCH, Anti Lock Brake Accelerat, ABS Acceleration
33	56027 271AB	1			MODULE, Anti-Lock Brake System, Brake Adaptive
34	5602 7878	1			BRACKET, Module, Module Mounting
35	5212 8175	2			CLIP, Brake Attaching Tube, 3 Way
36	3420 1888	2			SCREW, Hex Head, w/Washer M8x1.25x25.00 (Not Serv.)
37	5200 8641	1	J		HOSE, Brake, Combo Valve To HCU, Secondary
38	5200 8640	1	J		HOSE, Brake, Combo Valve To HCU, Primary
39	6502 711	1			BOLT, ABS Sensor, M8x1.25x20.00
40	6101 695	2			NUT, Hex Flange Lock, M8x1.25, M8x1.25

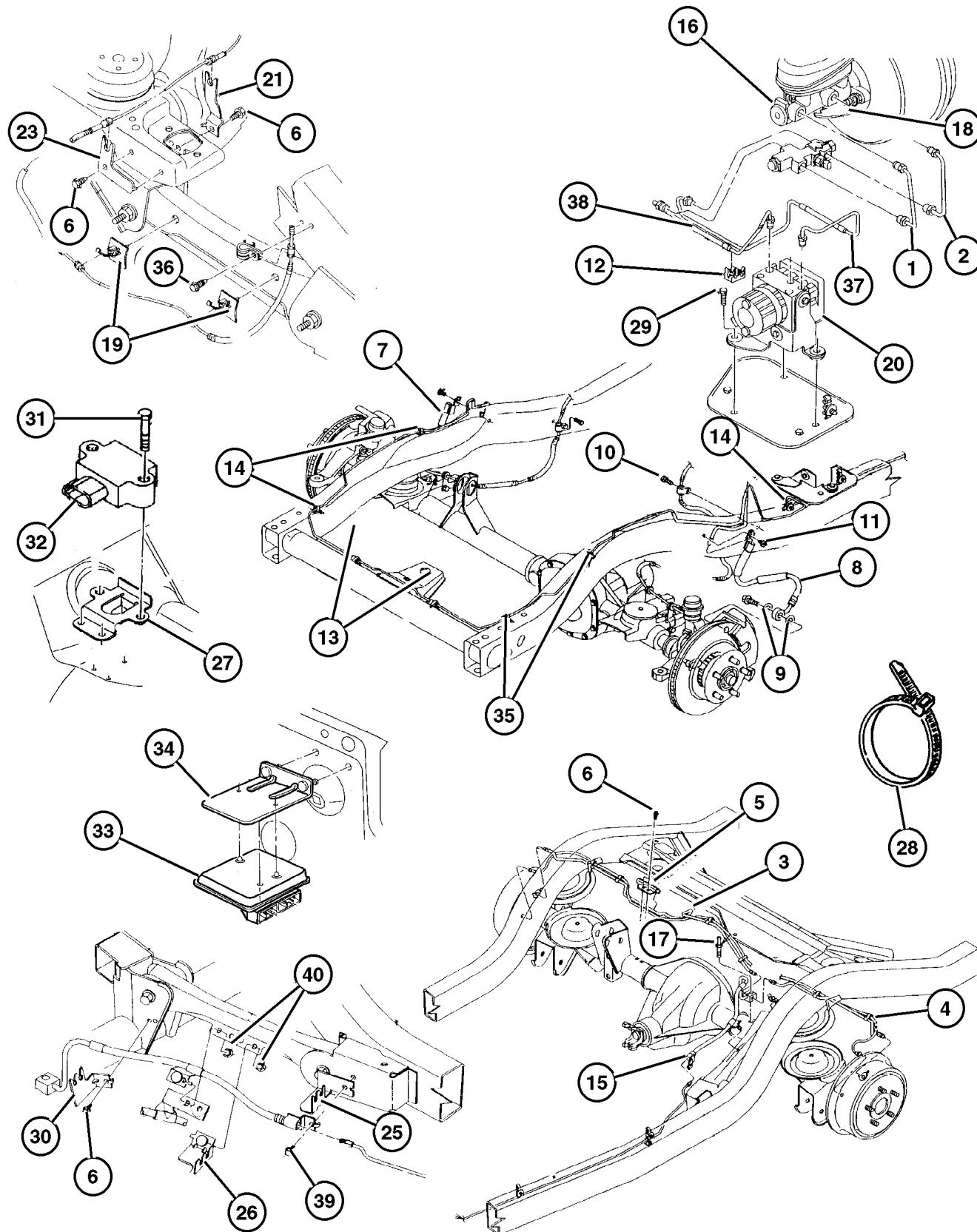
JEEP WRANGLER (TJ)

SERIES	LINE	BODY	ENGINE	TRANSMISSION
L=Low Line	J = Wrangler 4WD U = Wrangler 4WD (RHD)	77 = 93.4 WB	EPE, EP0 = 2.5L Power Tech ERH, ER0 = 4.0L Power Tech	DGG, DGD = 32RH 3 Spd. Auto. DDQ = 5 Spd. Manual DG0 = All Auto. Trans. DBB =All Manual Trans.

AR = Use as required - = Non illustrated part # = New this model year

June 7, 2002

Brake Lines and Hoses w/ABS Brakes 1999 TJ Figure 005-530



ITEM	PART NUMBER	QTY	LINE	BODY	DESCRIPTION
1	5200 8398	1			TUBE, Brake, Master Cylinder To Combo Valve, Primary
2	5200 8399	1			TUBE, Brake, Master Cylinder To Combo Valve, Secondary
3	5200 8402	1			TUBE, Brake, Rear Axle To Rt. Brake
4	5200 8403	1			TUBE, Brake, Rear Axle To Lt. Brake
5	5212 8189	1			SHIELD, Brake Line, Tube Rear Axle
6					SCREW, M6x1.00x14.00 (Not Serv.), (NOT SERVICED)
7	5200 8674	1			HOSE, Brake, Front Brake Rt.
8	5200 8675	1			HOSE, Brake, Front Brake Lt.
9	J323 7672	4			GASKET, Brake Hose To Caliper
10	J400 6700	2			BOLT, Hex Head, .375-24x1.03 Grade 8
11	3420 1670	2			SCREW, Pan Head, M8-1.25x13
12	5200 8940	1			CLIP, Brake Line, Line Spacer Rt.
13	5212 8175	2			CLIP, Brake Attaching Tube, 3 Way, Brake Tube
14					CLIP, Latch&Line
	3420 2688	5	J		Brake Tube To Frame
		1	U		Brake Tube To Frame
15	5200 8391	1			HOSE, Brake, Rear Brake
16	5200 8549	1			VALVE, Combination, w/o Bracket, Brake Combination
17	4137 696	1			SCREW, Brake Tee, .437-20x2.07
18	5212 7970	1			BRACKET, Brake Valve, Brake Valve To Master Cylinder
19	5212 8162	4			RETAINER, Push On, ABS Sensor To Frame
20	5212 7930	1			CONTROL UNIT, Anti-Lock Brake
21	5200 8780	1			BRACKET, Shock Absorber, Sensor Outer Rt.
-22	5200 8781	1			BRACKET, Shock Absorber, Sensor Outer Lt.
23	5200 8884	1			BRACKET, Shock Absorber, Sensor Inner Rt.
-24	5200 8885	1			BRACKET, Shock Absorber, Sensor Inner Lt.
25	5200 8919	1			BRACKET, ABS Sensor, Sensor Wire To Frame
26	5200 8920	1			BRACKET, ABS Sensor, Sensor To Upper Control Arm Lt.
27	5602 7944	1			BRACKET, ABS Sensor, G-Sensor Mounting
28	4641 780	1			STRAP, Tie, Cable Tie
29	3420 1888	3			SCREW, Hex Head
30	5602 6757	1			BRACKET, Anti-Lock Brake Sensor, Sensor Wire To Rear Axle
31	6035 991AA	2			SCREW, Hex Flange Head
32	#56006 315AB	1			SWITCH, Anti Lock Brake Accelerat
33	56027 271AB	1			MODULE, Anti-Lock Brake System, Brake Adaptive
34	5602 7878	1			BRACKET, Module, Module Mounting
35	5212 8175	2			CLIP, Brake Attaching Tube, 3 Way
36					SCREW, w/Washer M8x1.25x25.00 (Not Serv.), (NOT SERVICED)
37	5200 8641	1	J		HOSE, Brake, Combo Valve To HCU, Secondary
38	5200 8640	1	J		HOSE, Brake, Combo Valve To HCU, Primary
39	6502 711	1			BOLT, ABS Sensor, M8x1.25x20.00
40	6101 695	2			NUT, Hex Flange Lock, M8x1.25

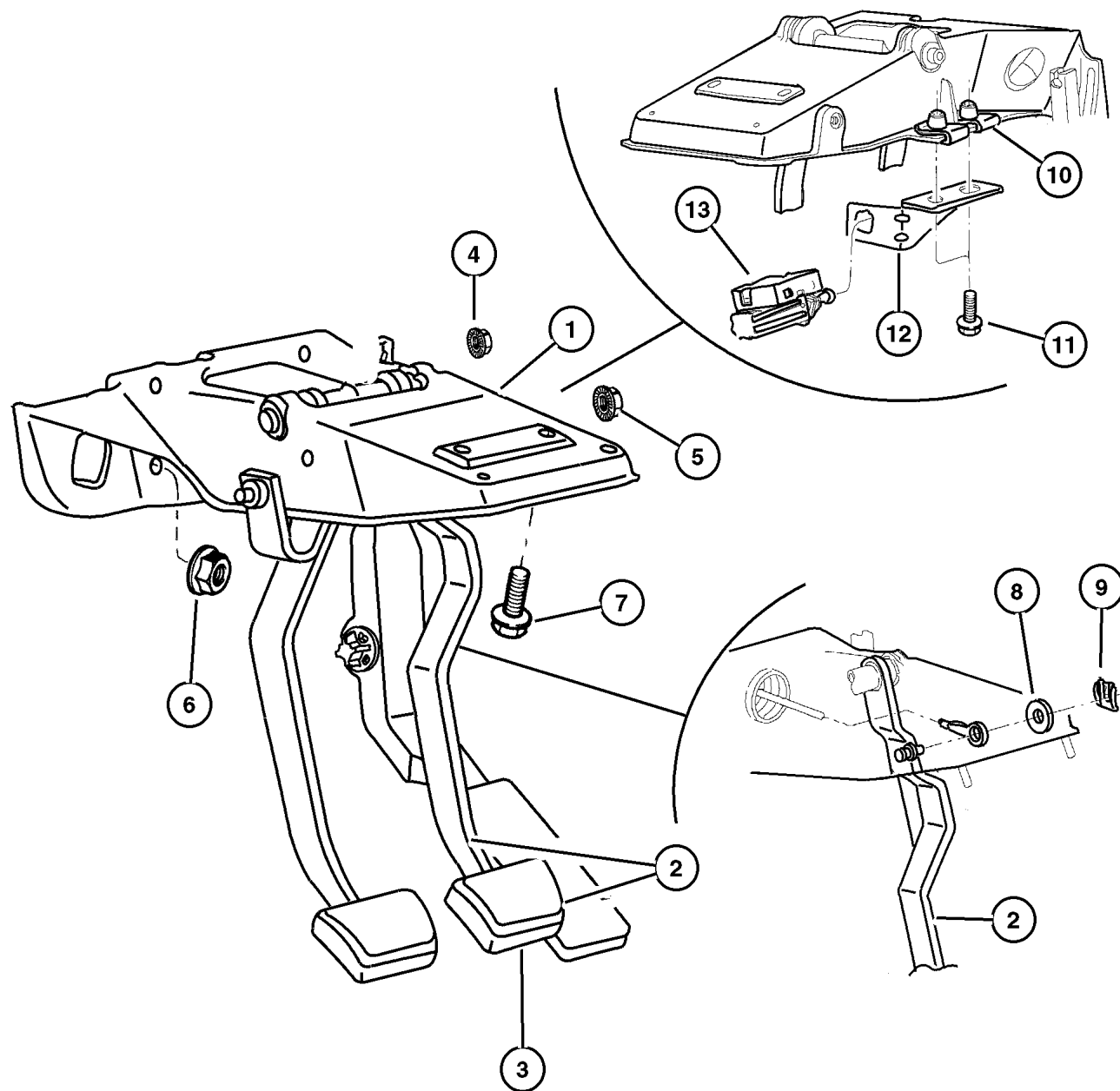
JEEP WRANGLER (TJ)

SERIES	LINE	BODY	ENGINE	TRANSMISSION
L=Low Line	J = Wrangler 4WD U = Wrangler 4WD (RHD)	77 = 93.4 WB	EPE, EP0 = 2.5L Power Tech ERH, ER0 = 4.0L Power Tech	DGG, DGD = 32RH 3 Spd. Auto. DDQ = 5 Spd. Manual DG0 = All Auto. Trans. DBB =All Manual Trans.

AR = Use as required - = Non illustrated part # = New this model year

June 7, 2002

Brake Pedal 1997 TJ
Figure 005-610



ITEM	PART NUMBER	QTY	LINE	BODY	DESCRIPTION
1					BRACKET, Brake Pedal, (Serv. Assy.), (NOT SERVICED)
2					PEDAL, Brake
	52128 017AB	1	J		Manual Transmission
	52128 052AB	1	U		Manual Transmission
	52129 008AB	1	J		Automatic Transmission
	52129 038AB	1	U		Automatic Transmission
3					PAD, Brake Pedal
	5200 9562	1	J		Manual Transmission
		1	U		Manual Transmission
	5207 8540	1	J		Automatic Transmission
		1	U		Automatic Transmission
4	4446 361	1			BUSHING, Hydraulic Clutch Actuator
5					NUT, Engine Mounting, M12 x 1.75
	6502 585	1	J		Pedal Shaft M12x1.75
		1	U		Pedal Shaft M12x1.75
6	J400 3909	4			NUT, Hex Flange With Serration, Hex Head .375-16
7					SCREW AND WASHER, (NOT SERVICED)
8					WASHER, (NOT SERVICED)
9					RETAINER, (NOT SERVICED)
10					NUT, U, M6x1
	6101 308	2	J		Brake Switch
		2	U		Brake Switch
11					SCREW AND WASHER, M6x1.00x25.00, (NOT SERVICED)
12					BRACKET, Brake Switch Mounting, (NOT SERVICED)
13	4671 336	1			SWITCH, Stop Lamp, Brake

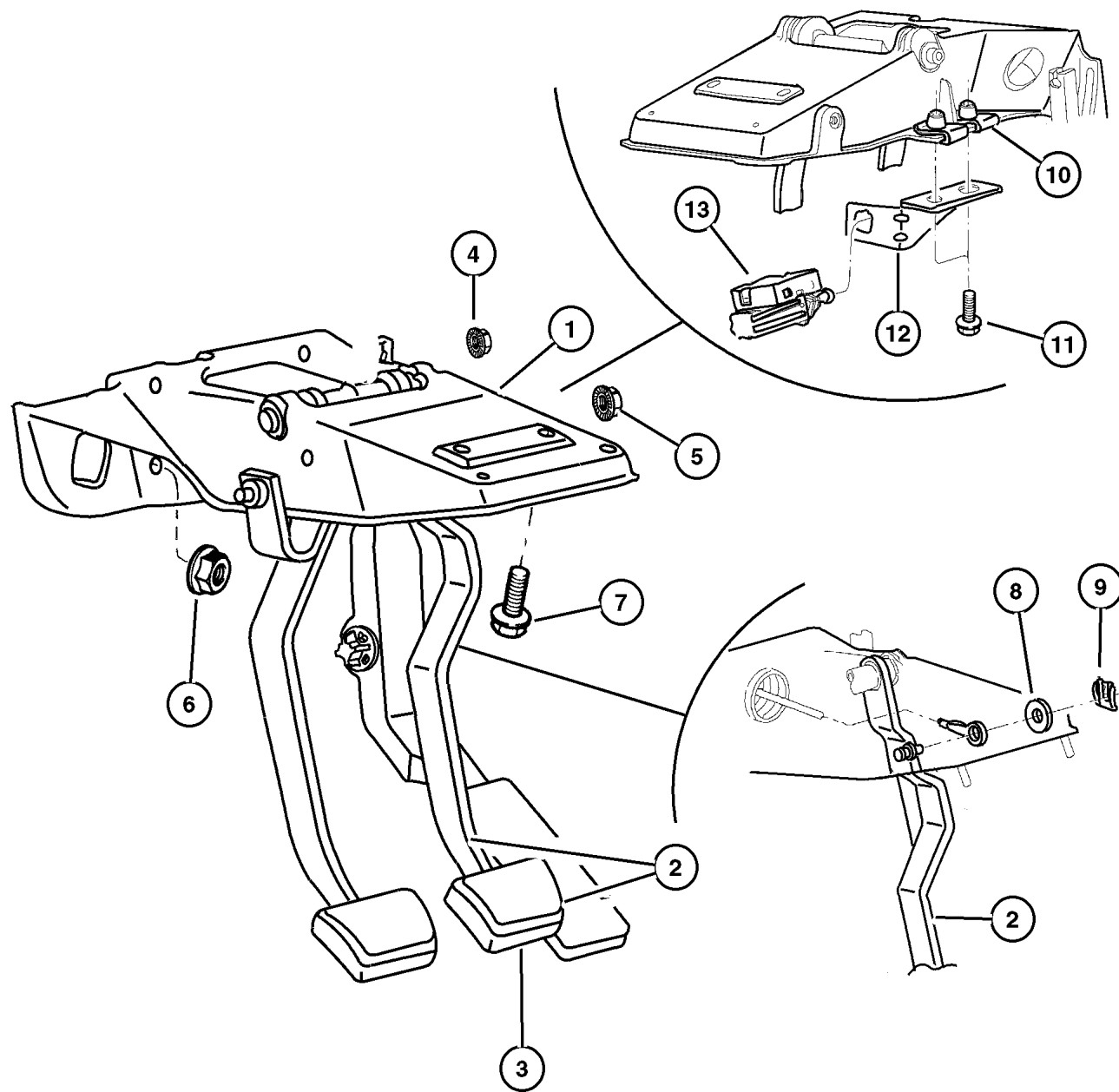
JEEP WRANGLER (TJ)

SERIES	LINE	BODY	ENGINE	TRANSMISSION
L=Low Line	J = Wrangler 4WD U = Wrangler 4WD (RHD)	77 = 93.4 WB	EPE, EP0 = 2.5L Power Tech ERH, ER0 = 4.0L Power Tech	DGG, DGD = 32RH 3 Spd. Auto. DDQ = 5 Spd. Manual DG0 = All Auto. Trans. DBB =All Manual Trans.

AR = Use as required - = Non illustrated part # = New this model year

June 7, 2002

Brake Pedal 1998 TJ
Figure 005-610



ITEM	PART NUMBER	QTY	LINE	BODY	DESCRIPTION
1					BRACKET, Brake Pedal, (Serv. Assy.), (NOT SERVICED)
2					PEDAL, Brake
	52128 017AB	1	J		Manual Transmission
	52128 052AB	1	U		Manual Transmission
	52129 008AB	1	J		Automatic Transmission
	52129 038AB	1	U		Automatic Transmission
3					PAD, Brake Pedal
	5200 2750	1	J		
		1	U		
	5207 8540	1	J		Automatic Transmission
		1	U		Automatic Transmission
4	4446 361	1			BUSHING, Hydraulic Clutch Actuator
5					NUT, Engine Mounting, M12 x 1.75, (NOT REQUIRED)
6	J400 3909	4			NUT, Hex Flange With Serration, Hex Head .375-16
7					SCREW AND WASHER, (NOT SERVICED)
8					WASHER, (NOT SERVICED)
9					RETAINER, (NOT SERVICED)
10					NUT, U, M6x1
	6101 308	2	J		
		2	U		
11					SCREW AND WASHER, M6x1.00x25.00, (NOT SERVICED)
12					BRACKET, Brake Switch Mounting, (NOT SERVICED)
13	4671 336	1			SWITCH, Stop Lamp

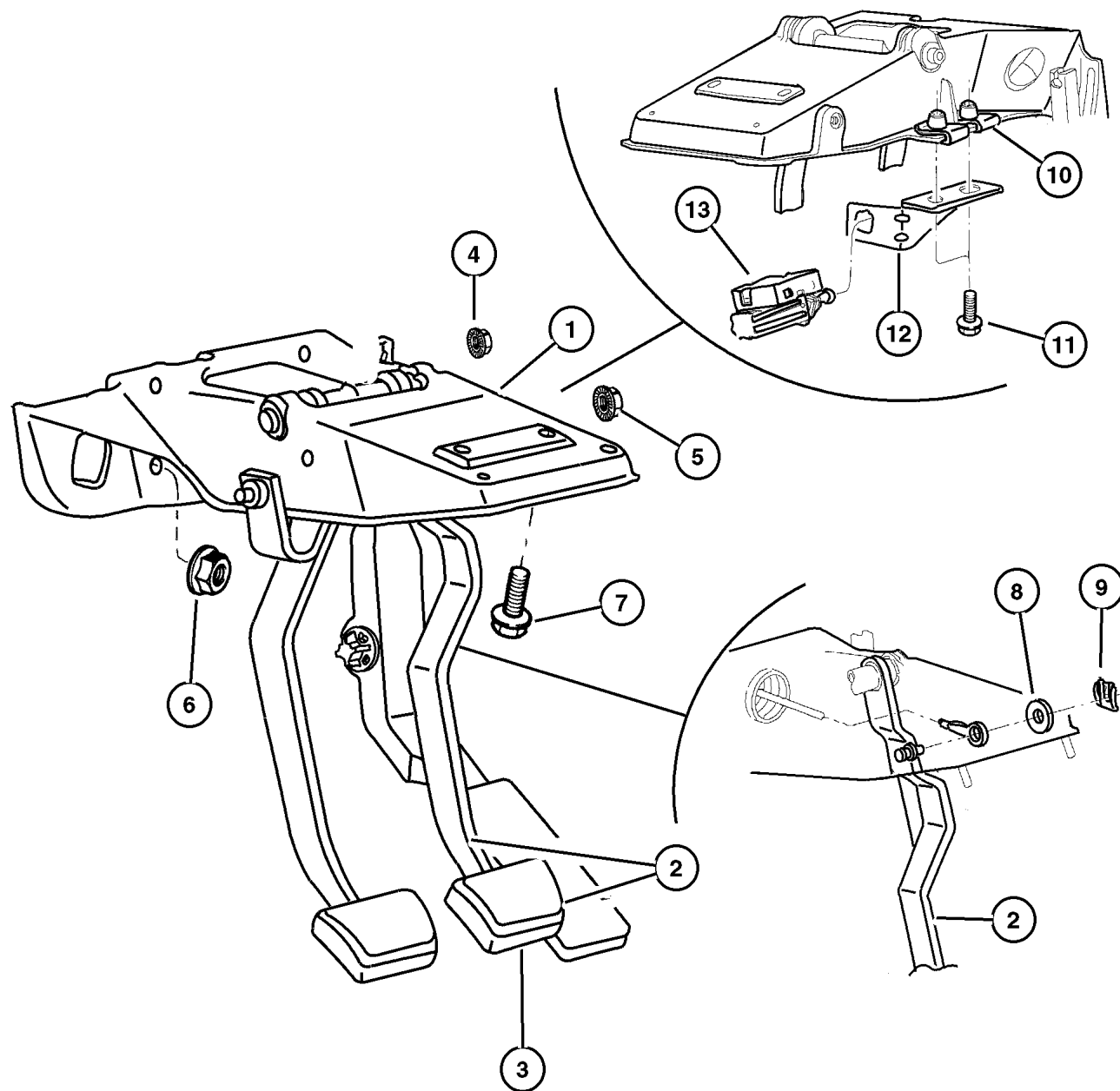
JEEP WRANGLER (TJ)

SERIES	LINE	BODY	ENGINE	TRANSMISSION
L=Low Line	J = Wrangler 4WD U = Wrangler 4WD (RHD)	77 = 93.4 WB	EPE, EP0 = 2.5L Power Tech ERH, ER0 = 4.0L Power Tech	DGG, DGD = 32RH 3 Spd. Auto. DDQ = 5 Spd. Manual DG0 = All Auto. Trans. DBB =All Manual Trans.

AR = Use as required - = Non illustrated part # = New this model year

June 7, 2002

Brake Pedal 1999 TJ
Figure 005-610



ITEM	PART NUMBER	QTY	LINE	BODY	DESCRIPTION
1					BRACKET, Brake Pedal, (Serv. Assy.), (NOT SERVICED)
2					PEDAL, Brake
	52128 017AB	1	J		Manual Transmission
	52128 052AB	1	U		Manual Transmission
	52129 008AB	1	J		Automatic Transmission
	52129 038AB	1	U		Automatic Transmission
3					PAD, Brake Pedal
	5200 2750	1	J		
		1	U		
	5207 8540	1	J		w/Auto
		1	U		w/Auto
4	4446 361	1			BUSHING, Hydraulic Clutch Actuator
5					NUT, Engine Mounting, M12 x 1.75, (NOT REQUIRED)
6	J400 3909	4			NUT, Hex Flange With Serration, Hex Head .375-16
7					SCREW AND WASHER, (NOT SERVICED)
8					WASHER, (NOT SERVICED)
9					RETAINER, (NOT SERVICED)
10					NUT, U, M6x1
	6101 308	2	J		
		2	U		
11					SCREW AND WASHER, M6x1.00x25.00, (NOT SERVICED)
12					BRACKET, Brake Switch Mounting, (NOT SERVICED)
13	4671 336	1			SWITCH, Stop Lamp

JEEP WRANGLER (TJ)

SERIES	LINE	BODY	ENGINE	TRANSMISSION
L=Low Line	J = Wrangler 4WD U = Wrangler 4WD (RHD)	77 = 93.4 WB	EPE, EP0 = 2.5L Power Tech ERH, ER0 = 4.0L Power Tech	DGG, DGD = 32RH 3 Spd. Auto. DDQ = 5 Spd. Manual DG0 = All Auto. Trans. DBB =All Manual Trans.

AR = Use as required - = Non illustrated part # = New this model year

June 7, 2002

Group – 006

Clutch

GROUP 6 - Clutch

Illustration Title

Group-Fig. No.

Clutch

Clutch 1997 TJ 1998 TJ Fig. 006-110

CLUTCH 1999 TJ Fig. 006-110

Clutch Housing

Housing and Pan, Clutch 1997 TJ 1998 TJ Fig. 006-210

Housing and Pan, Clutch 1999 TJ Fig. 006-210

Clutch Controls

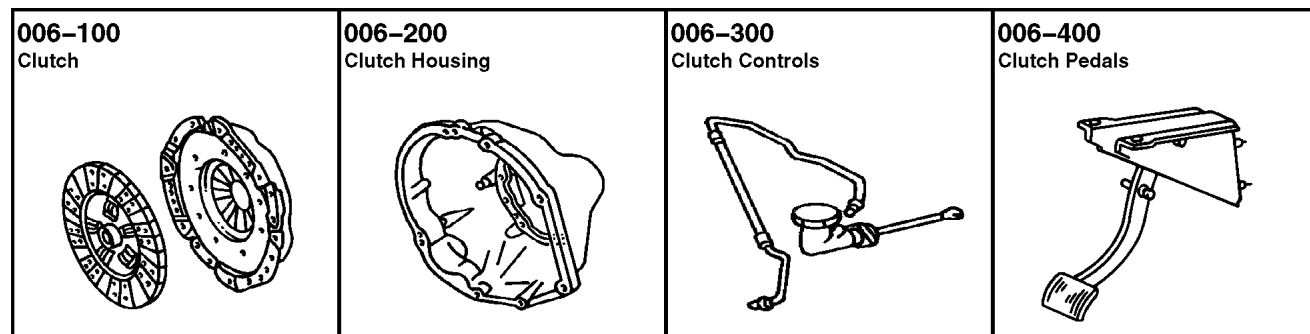
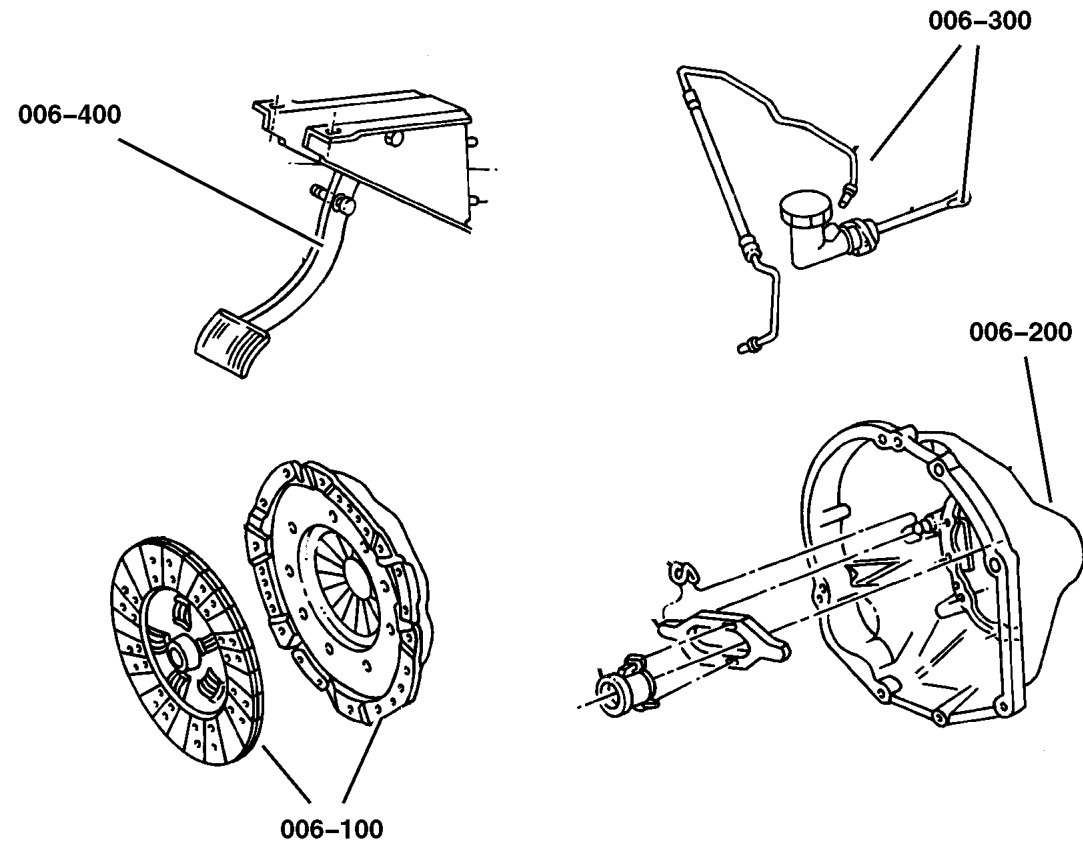
Control, Clutch 1997 TJ 1998 TJ Fig. 006-310

Control, Clutch 1999 TJ Fig. 006-310

Clutch Pedals

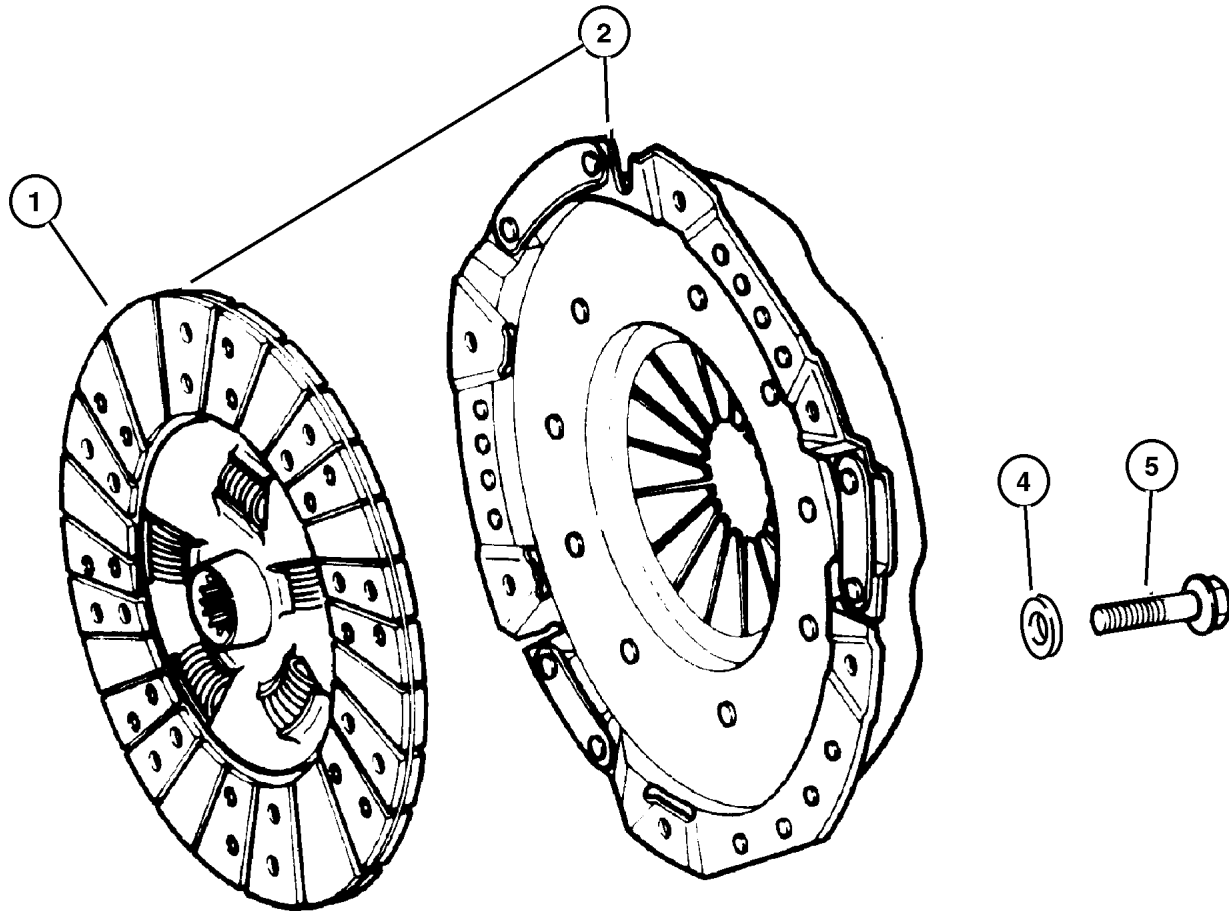
Pedal, Clutch 1997 TJ 1998 TJ Fig. 006-410

Pedal, Clutch 1999 TJ Fig. 006-410



Clutch 1997 TJ 1998 TJ
Figure 006-110

ITEM	PART NUMBER	QTY	LINE	ENGINE	TRANS	DESCRIPTION
Note:						
EPE = 2.5L SMPI Magnum 4 Cyl Engine						
EP0 = All 2.5L 4 Cyl Gas Engines						
ERH = 4.0L Power Tech Engine						
ER0 = All 4.0L 6 Cyl Gas Engines						
DDQ = Manual Transmission 5 Speed						
DBB = All Manual Transmissions						
1	5300 8259	1		ER0	DDQ	DISC, Clutch
2	5210 7570	1		EP0	DBB	CLUTCH KIT, Manual Transmission
-3	4874 175	1		ER0	DDQ	CLUTCH PACKAGE
4	1150 0221	6		EP0	DBB	WASHER, Flat
5	3420 1373	6		EP0	DBB	BOLT, Hex Head, M8x1.25x22
-6	6035 626	6		ER0	DBB	BOLT, Hex Head, .375-16x.84

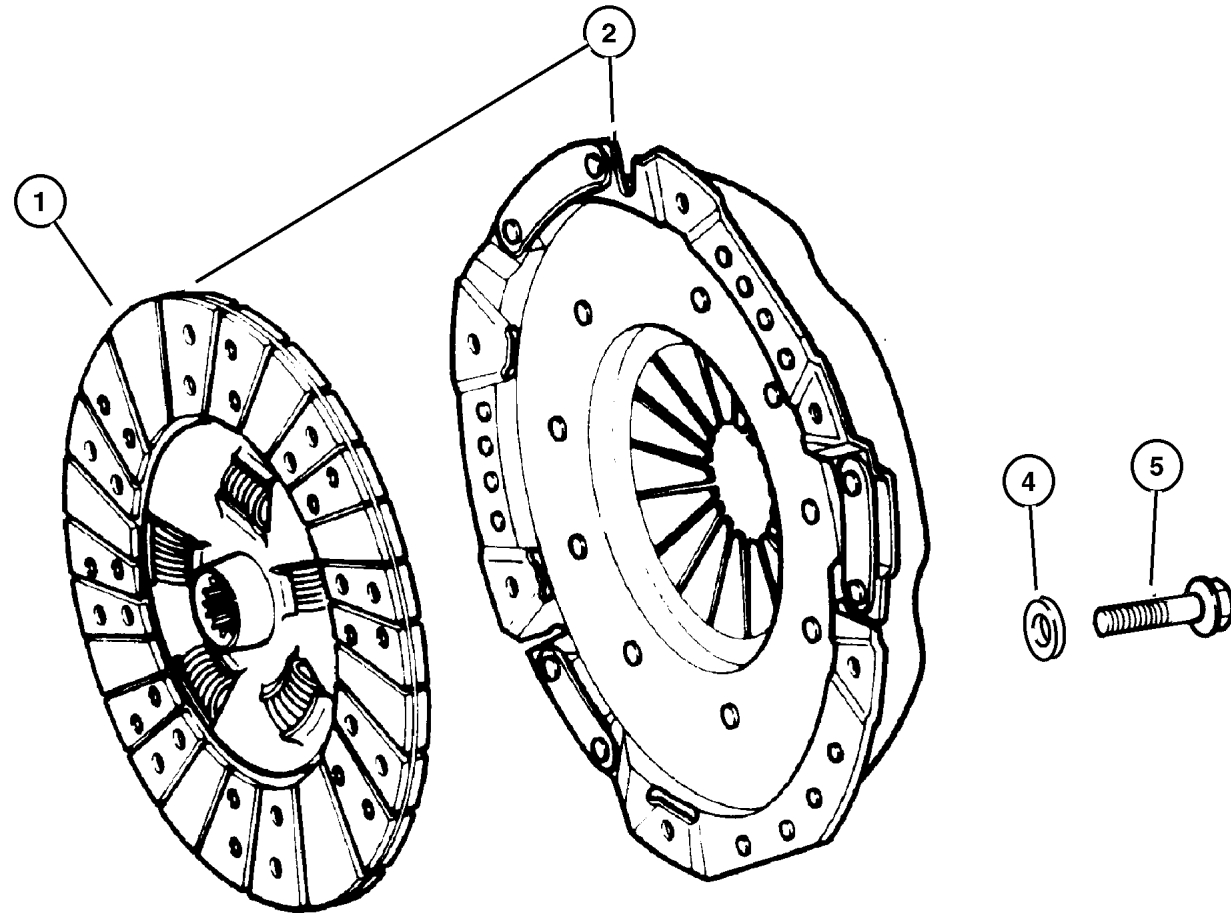


JEEP WRANGLER (TJ)				
SERIES	LINE	BODY	ENGINE	TRANSMISSION
L=Low Line	J = Wrangler 4WD U = Wrangler 4WD (RHD)	77 = 93.4 WB	EPE, EP0 = 2.5L Power Tech ERH, ER0 = 4.0L Power Tech	DGG, DGD = 32RH 3 Spd. Auto. DDQ = 5 Spd. Manual DG0 = All Auto. Trans. DBB =All Manual Trans.

AR = Use as required - = Non illustrated part # = New this model year

June 7, 2002

CLUTCH 1999 TJ
Figure 006-110



ITEM	PART NUMBER	QTY	LINE	ENGINE	TRANS	DESCRIPTION
------	-------------	-----	------	--------	-------	-------------

Note:

- DBB = All Manual Transmissions
- EPE = 2.5L SMPI MAGNUM 4 Cyl Engine
- EP0 = All 2.5L 4 Cyl Gas Engines
- ERH = 4.0L Power Tech Engine
- ER0 = All 4.0L 6 Cyl Gas Engines

1						DISC, Clutch
	5210 7571	1		EP0	DBB	
	5300 8259	1		ER0	DBB	
2	5210 7570	1		EP0	DBB	CLUTCH KIT, Manual Transmission
-3	4874 175	1		ER0	DBB	CLUTCH PACKAGE
4	1150 0221	6		EP0	DBB	WASHER, Flat
5	3420 1373	6		EP0	DBB	BOLT, Hex Head, M8x1.25x22
-6	6035 626	6		ER0	DBB	BOLT, Hex Head, .375-16x.84

JEEP WRANGLER (TJ)

SERIES	LINE	BODY	ENGINE	TRANSMISSION
L=Low Line	J = Wrangler 4WD U = Wrangler 4WD (RHD)	77 = 93.4 WB	EPE, EP0 = 2.5L Power Tech ERH, ER0 = 4.0L Power Tech	DGG, DGD = 32RH 3 Spd. Auto. DDQ = 5 Spd. Manual DG0 = All Auto. Trans. DBB =All Manual Trans.

AR = Use as required - = Non illustrated part # = New this model year

June 7, 2002

Housing and Pan, Clutch 1997 TJ 1998 TJ Figure 006-210

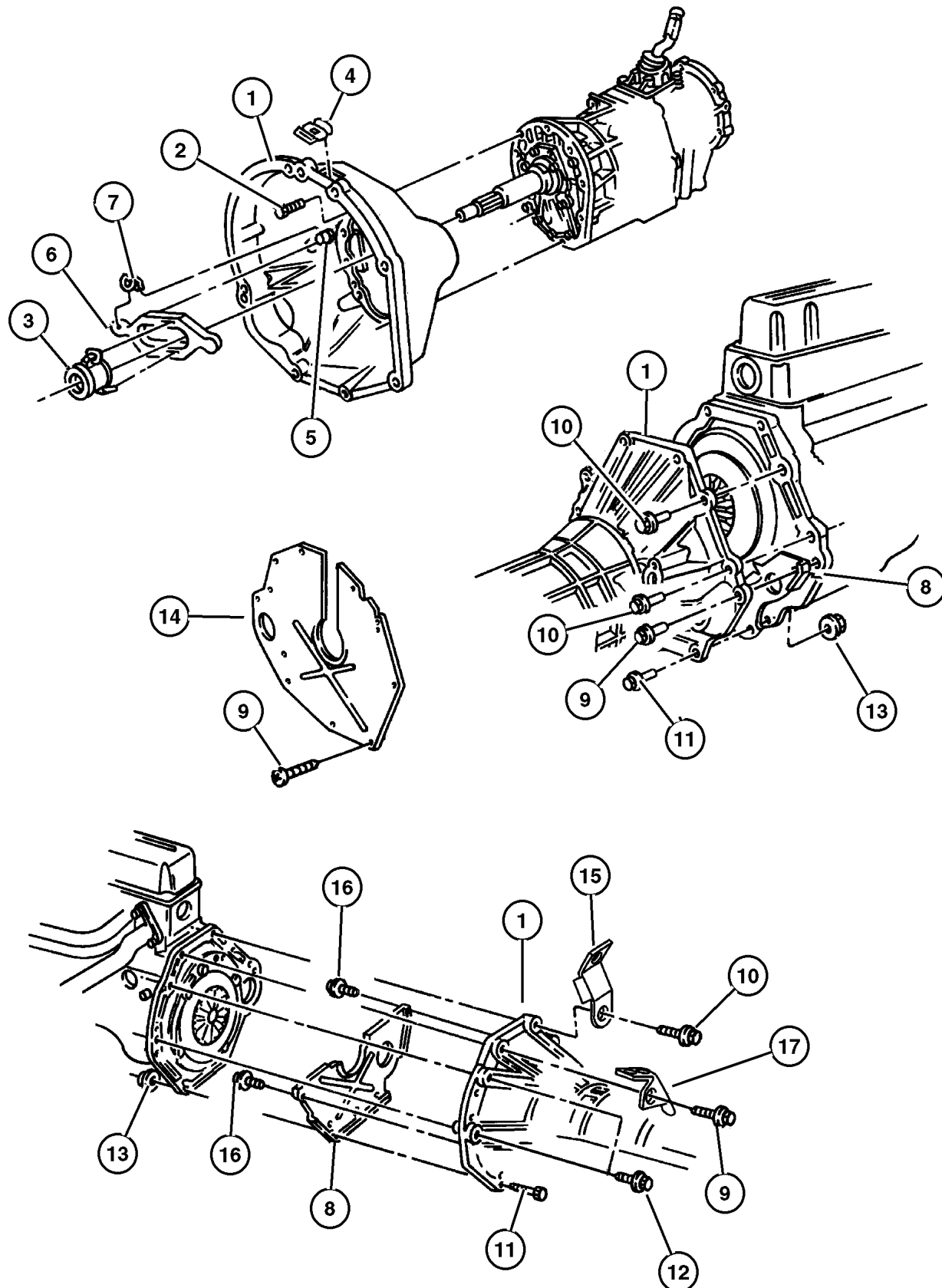
ITEM	PART NUMBER	QTY	LINE	ENGINE	TRANS	DESCRIPTION
Note:						
EPE = 2.5L SMPI Magnum 4 Cyl Engine						
EP0 = All 2.5L 4 Cyl Gas Engines						
ERH = 4.0L Power Tech Engine						
ER0 = All 4.0L 6 Cyl Gas Engines						
DDQ = Manual Transmission 5 Speed						
DBB = All Manual Transmissions						
1						HOUSING, Clutch
	5210 4000	1		EP0	DBB	
	5210 7552	1		ER0	DBB	
2	6503 299	9			DBB	BOLT, Hex Head, Clutch Housing to Trans. M10x1.25x34
3	5300 8342	1			DBB	BEARING, Clutch Release, Clutch Release
4	5300 6010	1		EP0,	DBB	GROMMET, Timing Probe, w/Timing Probe Pivot
				ER0		
5						PIVOT, Clutch Release
	5208 7542	1		ER0	DBB	
		1		EP0	DBB	1997 TJ
6	5210 7555	1			DBB	FORK, Clutch Release, Clutch Release
7	4338 855	1			DBB	SPRING, Clutch Release, Clutch Release Arm Pivot Ret.
8	5300 3382	1		EP0	DBB	COVER, Transmission Case, Dust Clutch Hsg. w/2.5 L 4 Cylinder Engine
9						BOLT, Hex Head, M12x1.75x50
	1150 4922	AR		EP0,	DBB	1997 TJ
		2		ER0	DBB	1998 TJ
		2		EP0	DBB	1998 TJ
10	6100 345	2		EP0	DBB	SCREW AND WASHER, Hex Flange Head, M12x1.75x45, M12x1.75x45.00 ***
11	1150 5098	2		EP0	DBB	BOLT, Hex Flange Head, M12x1.75x60, M12x1.75x60.00
12	3420 1837	2		EP0	DBB	BOLT, Hex Flange Head, M12x1.75x90, M12x1.75x90.00
13	6502 697	2		EP0,	DBB	NUT, Hex Flange Lock, M12x1.75, M12x1.75
				ER0		
14	5300 4473	1		ER0	DBB	SPACER, Clutch Housing, Clutch Housing Six Cylinder
15	5209 8522	1		EP0,		BRACKET, Tube, Vent Tube
				ER0		
16	1150 0986	3		ER0	DBB	BOLT, Hex Flange Head, M8x2.12x16, M8x2.12x16.00
17	5601 9959	1				CLIP, Wiring

JEEP WRANGLER (TJ)

SERIES	LINE	BODY	ENGINE	TRANSMISSION
L=Low Line	J = Wrangler 4WD U = Wrangler 4WD (RHD)	77 = 93.4 WB	EPE, EP0 = 2.5L Power Tech ERH, ER0 = 4.0L Power Tech	DGG, DGD = 32RH 3 Spd. Auto. DDQ = 5 Spd. Manual DG0 = All Auto. Trans. DBB =All Manual Trans.

AR = Use as required - = Non illustrated part # = New this model year

June 7, 2002



Housing and Pan, Clutch 1999 TJ Figure 006-210

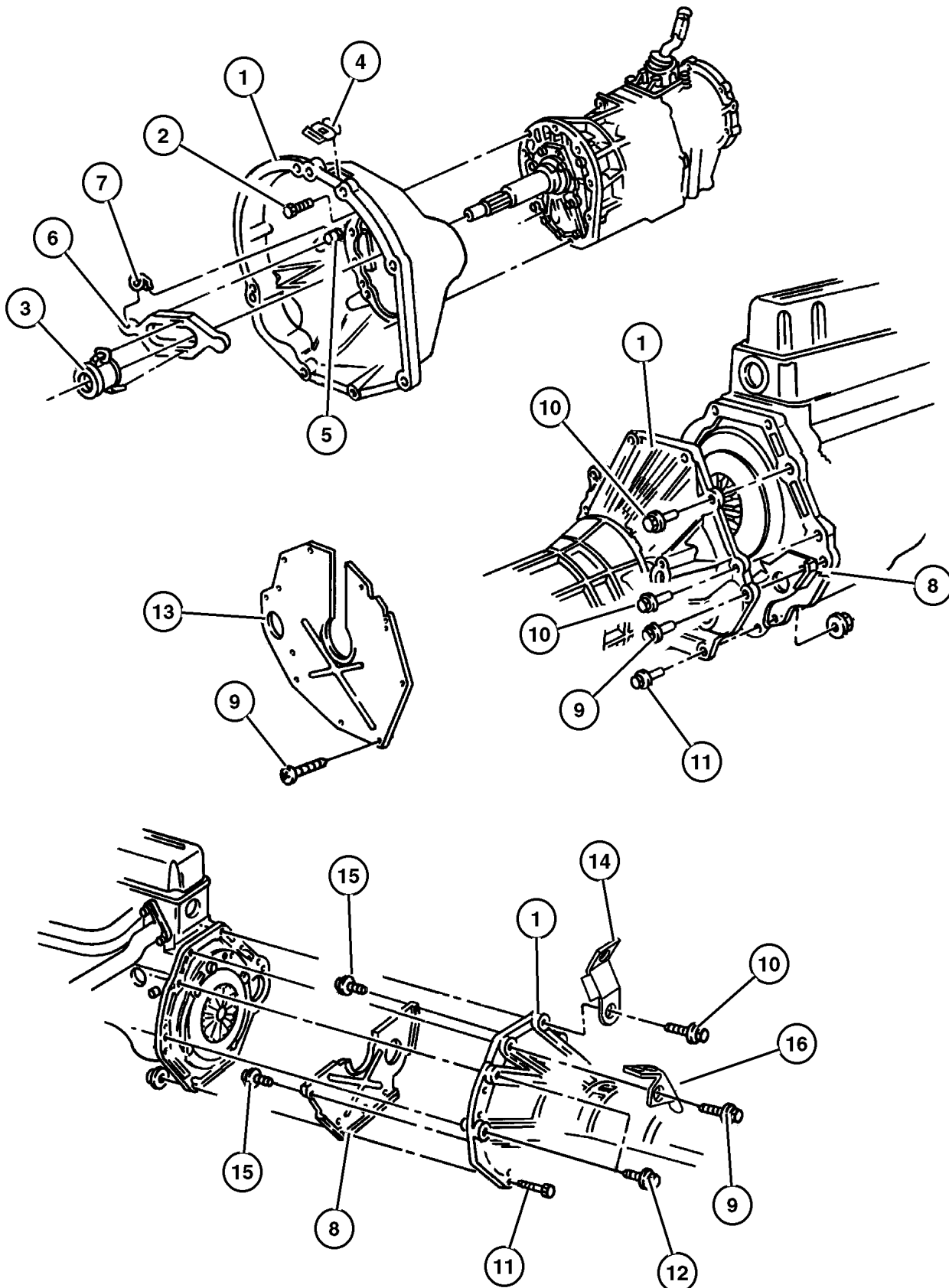
ITEM	PART NUMBER	QTY	LINE	ENGINE	TRANS	DESCRIPTION
Note:						
DBB = All Manual Transmissions						
EPE = 2.5L SMPI MAGNUM 4 Cyl Engine						
EP0 = All 2.5L 4 Cyl Gas Engines						
ERH = 4.0L Power Tech Engine						
ER0 = All 4.0L 6 Cyl Gas Engines						
1						HOUSING, Clutch
	5210 4000	1		EP0	DBB	
	5210 7552	1		ER0	DBB	
2	3420 2606	2		EP0, ER0		BOLT, Hex Head
3	5300 8342	1			DBB	BEARING, Clutch Release
4	5300 6010	1		EP0, ER0	DBB	GROMMET, Timing Probe
5						PIVOT, Clutch Release
	5208 7542	1		EP0	DBB	
		1		ER0	DBB	
6	5210 7555	1			DBB	FORK, Clutch Release
7	4338 855	1			DBB	SPRING, Clutch Release
8	5300 3382	1		EP0	DBB	COVER, Transmission Case
9						BOLT, Hex Head, M12x1.75x50
	1150 4922	2		EP0	DBB	
		2		ER0	DBB	
10	6100 345	2		EP0	DBB	SCREW AND WASHER, Hex Flange Head, M12x1.75x45
11	1150 5098	2		EP0	DBB	BOLT, Hex Flange Head, M12x1.75x60
12	3420 1837	2		EP0	DBB	BOLT, Hex Flange Head, M12x1.75x90
13	53004 473AB	1		ER0	DBB	SPACER, Clutch Housing
14	5209 8522	1		EP0, ER0		BRACKET, Tube
15						BOLT, Hex Flange Head, M8x2.12x16
	1150 0986	2		EP0	DBB	
		3		ER0	DBB	
16	5601 9959	1				CLIP, Wiring

JEEP WRANGLER (TJ)

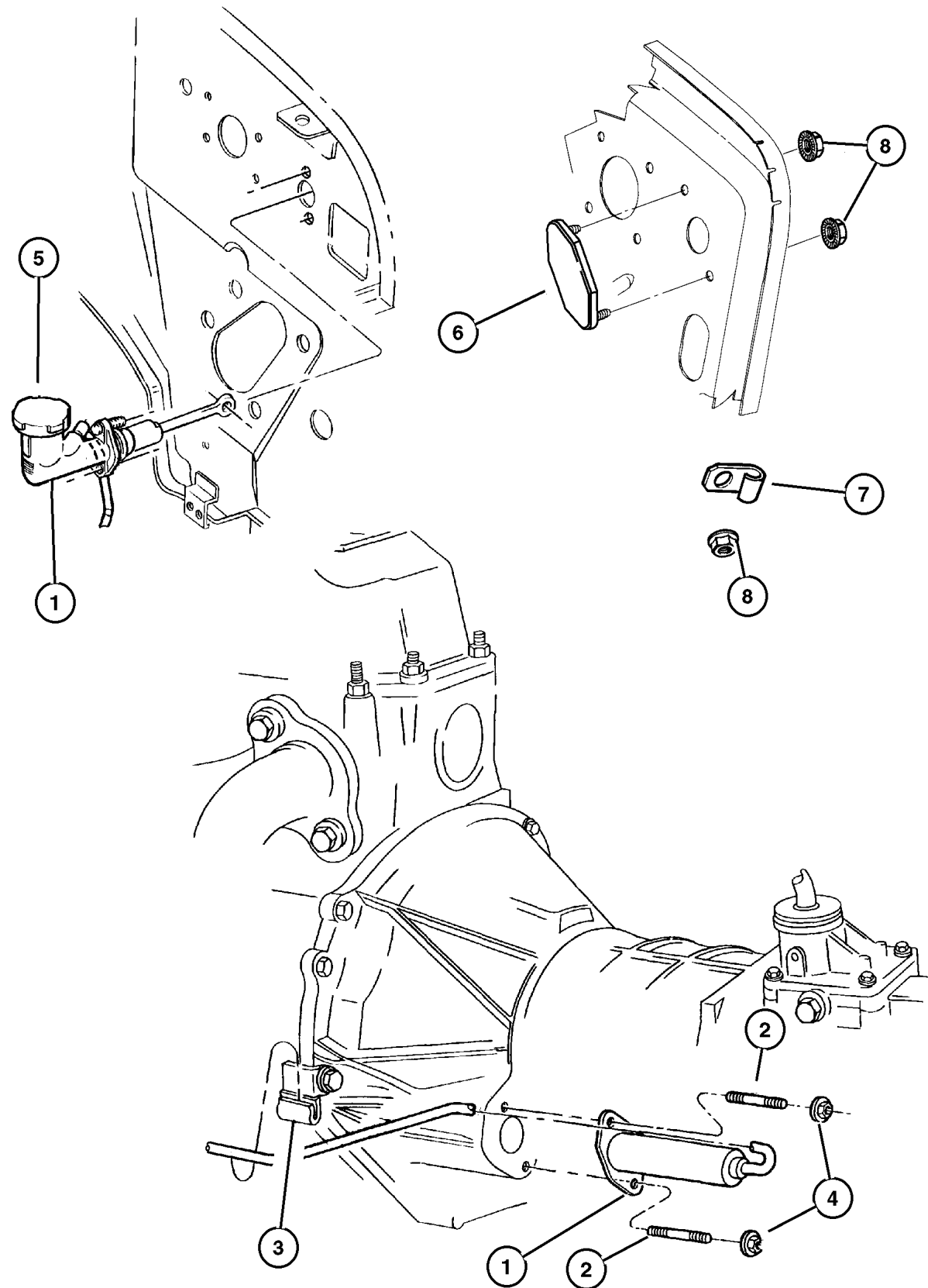
SERIES	LINE	BODY	ENGINE	TRANSMISSION
L=Low Line	J = Wrangler 4WD U = Wrangler 4WD (RHD)	77 = 93.4 WB	EPE, EP0 = 2.5L Power Tech ERH, ER0 = 4.0L Power Tech	DGG, DGD = 32RH 3 Spd. Auto. DDQ = 5 Spd. Manual DGO = All Auto. Trans. DBB =All Manual Trans.

AR = Use as required - = Non illustrated part # = New this model year

June 7, 2002



Control, Clutch 1997 TJ 1998 TJ
Figure 006-310



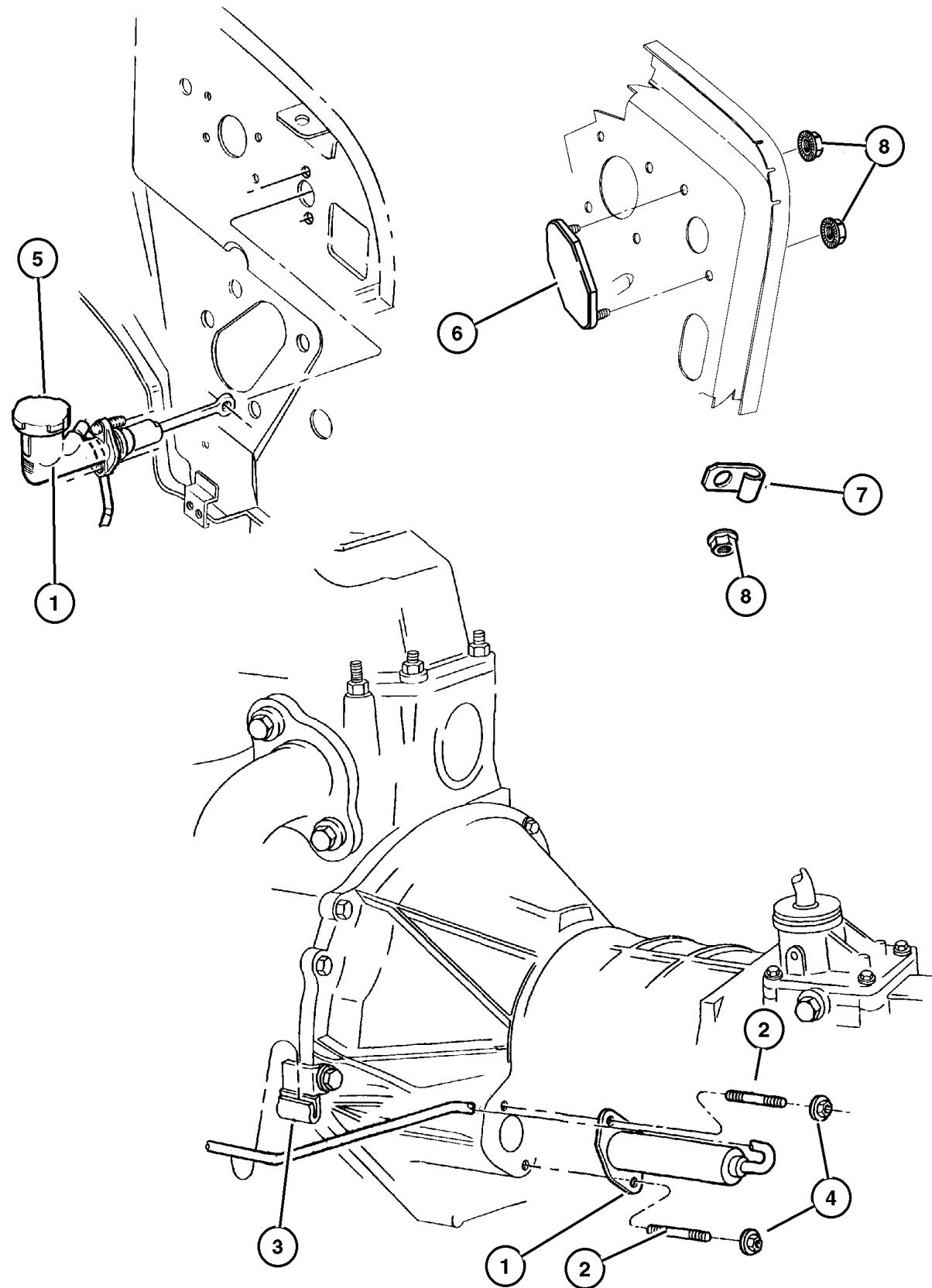
ITEM	PART NUMBER	QTY	LINE	ENGINE	TRANS	DESCRIPTION
DBB = All Manual Transmissions						
DGO = All Automatic Transmissions						
1						HYDRAULIC CONTROL, Clutch Actuator
	5210 7652	1	J		DBB	Clutch Actuator ***
	5210 7653	1	U		DBB	RHD, 1997 TJ
2	6032 878	2			DBB	STUD, .312-18x2.00
3	5210 7595	1			DBB	BRACKET, Clutch Tube, HYD Clutch Tube
4	0152 472	2			DBB	NUT, Hex Flange Lock, .312-18, Hex Flg Locking
5						COVER, Hydraulic Control Unit
	4883 544AA	1	J		DBB	Reservoir
		1	U		DBB	Reservoir
6	5210 4013	1			DGO	COVER, Master Cylinder, Master Cylinder
7	0120 522	3	U		DBB	CLIP, Wrap Around, Wrap Around
8	J400 3909	4				NUT, Hex Flange With Serration

JEEP WRANGLER (TJ)				
SERIES	LINE	BODY	ENGINE	TRANSMISSION
L=Low Line	J = Wrangler 4WD U = Wrangler 4WD (RHD)	77 = 93.4 WB	EPE, EP0 = 2.5L Power Tech ERH, ER0 = 4.0L Power Tech	DGG, DGD = 32RH 3 Spd. Auto. DDQ = 5 Spd. Manual DGO = All Auto. Trans. DBB =All Manual Trans.

AR = Use as required - = Non illustrated part # = New this model year

June 7, 2002

Control, Clutch 1999 TJ
Figure 006-310



ITEM	PART NUMBER	QTY	LINE	ENGINE	TRANS	DESCRIPTION
DBB = All Manual Transmissions						
DDQ = Manual Transmission 5 Speed						
DGO = All Automatic Transmissions						
1						HYDRAULIC CONTROL, Clutch Actuator
	52107 652AB	1	J		DBB	
	52107 653AB	1	U		DBB	
2	6032 878	2			DBB	STUD, .312-18x2.00
3	5210 7595	1			DBB	BRACKET, Clutch Tube
4	0152 472	2			DBB	NUT, Hex Flange Lock, .312-18
5						CAP, Clutch Reservoir
	4883 544AA	1	J		DBB	
		1	U		DBB	
6	5210 4013	1			DGO	COVER, Master Cylinder
7						CLIP, Wrap Around
	0120 522	3	U		DBB	
		2	U		DBB	
8	J400 3909	2			DBB	NUT, Hex Flange With Serration

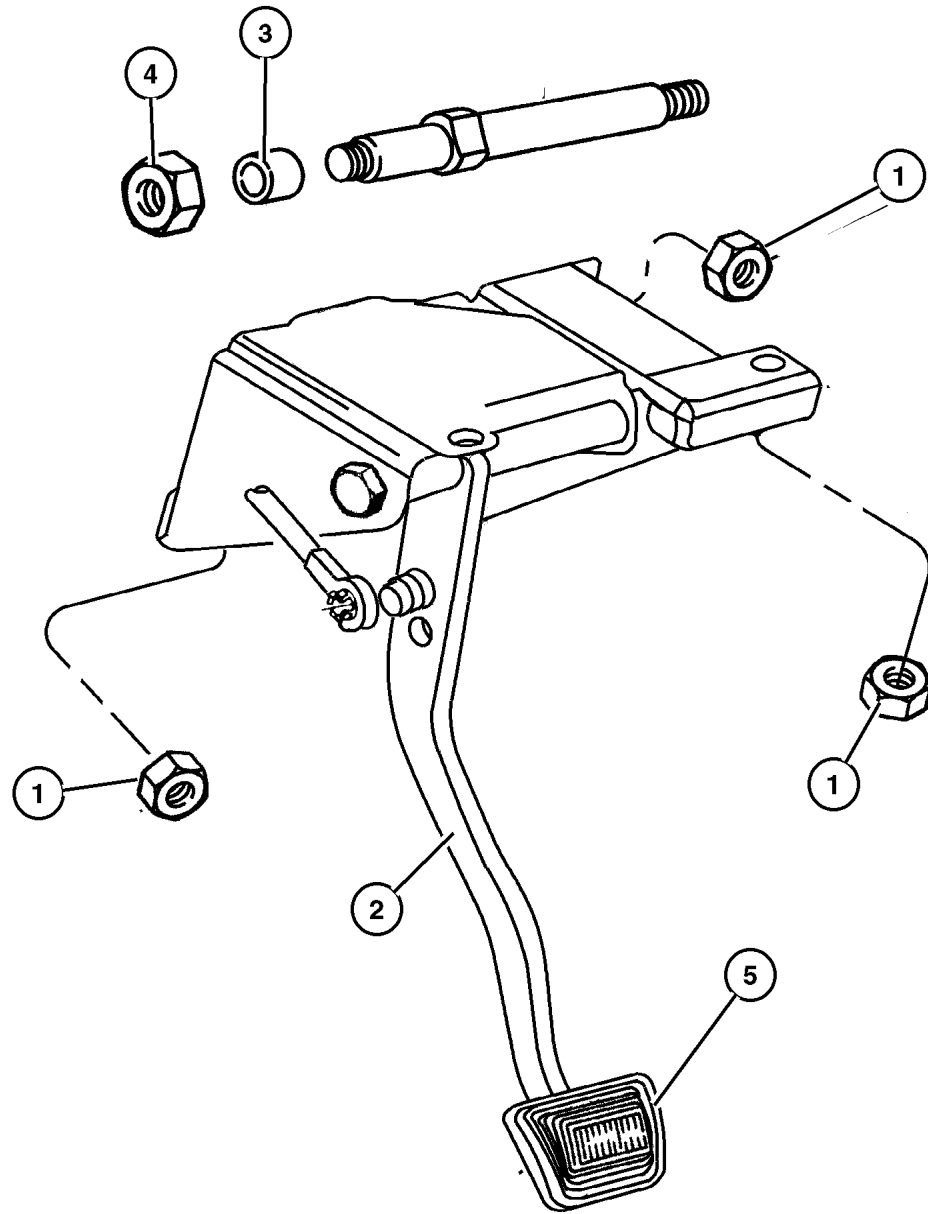
JEEP WRANGLER (TJ)

SERIES	LINE	BODY	ENGINE	TRANSMISSION
L=Low Line	J = Wrangler 4WD U = Wrangler 4WD (RHD)	77 = 93.4 WB	EPE, EP0 = 2.5L Power Tech ERH, ER0 = 4.0L Power Tech	DGG, DGD = 32RH 3 Spd. Auto. DDQ = 5 Spd. Manual DGO = All Auto. Trans. DBB =All Manual Trans.

AR = Use as required - = Non illustrated part # = New this model year

June 7, 2002

Pedal, Clutch 1997 TJ 1998 TJ
Figure 006-410



ITEM	PART NUMBER	QTY	LINE	ENGINE	TRANS	DESCRIPTION
DBB = All Manual Transmissions						
1	J400 3909	2				NUT, Hex Flange With Serration, .375-16
2						PEDAL, Brake
	5212 8017	1	J		DBB	
	5212 8052	1	U		DBB	
3	4446 361	1				BUSHING, Hydraulic Clutch Actuator
4						NUT, Hex Flange Lock, M6 Phosphate
	6100 516	1	U		DBB	1997 TJ
		2				1998 TJ
5						PAD, Pedal
	5200 2750	1	J		DBB	
		1	U		DBB	

JEEP WRANGLER (TJ)

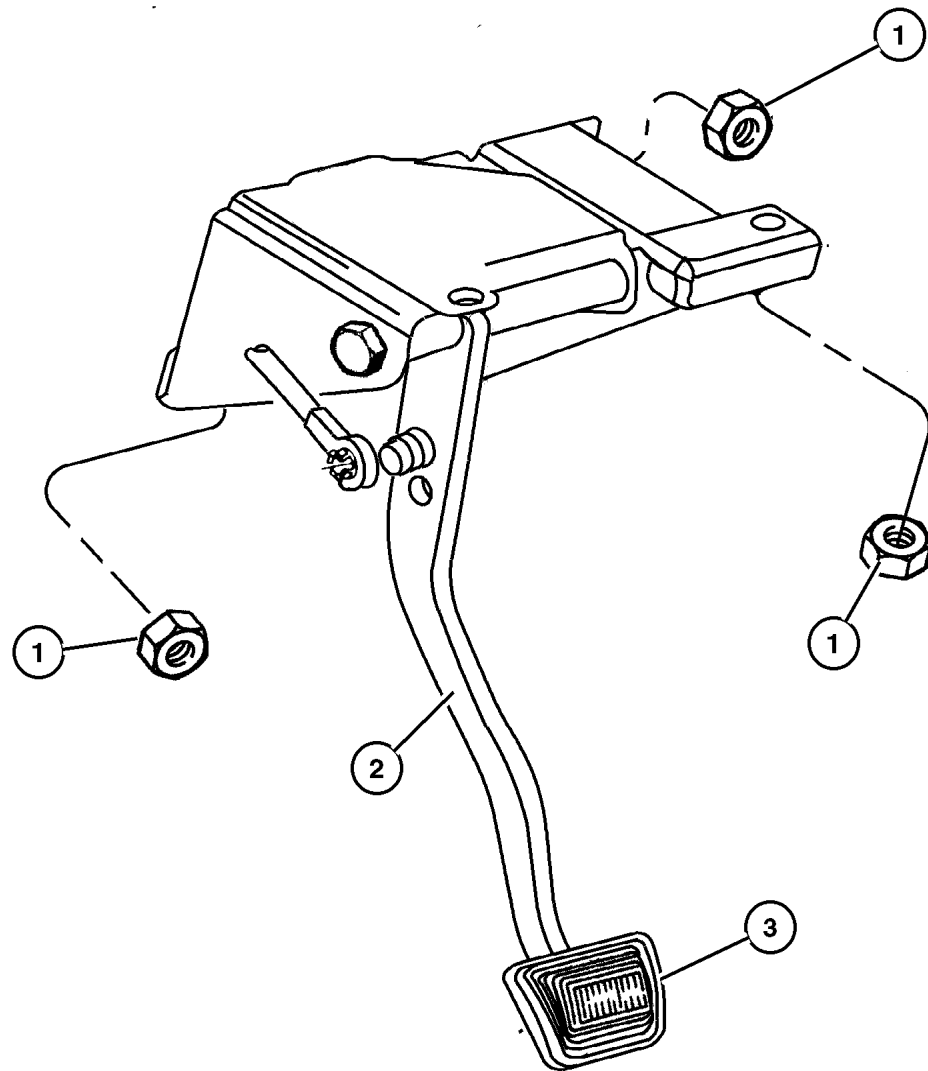
SERIES	LINE	BODY	ENGINE	TRANSMISSION
L=Low Line	J = Wrangler 4WD U = Wrangler 4WD (RHD)	77 = 93.4 WB	EPE, EP0 = 2.5L Power Tech ERH, ER0 = 4.0L Power Tech	DGG, DGD = 32RH 3 Spd. Auto. DDQ = 5 Spd. Manual DG0 = All Auto. Trans. DBB =All Manual Trans.

AR = Use as required - = Non illustrated part # = New this model year

June 7, 2002

Pedal, Clutch 1999 TJ
Figure 006-410

ITEM	PART NUMBER	QTY	LINE	ENGINE	TRANS	DESCRIPTION
DBB = All Manual Transmissions						
DDQ = Manual Transmission 5 Speed						
1	J400 3909	4				NUT, Hex Flange With Serration
2	52128 017AB	1	J		DBB	PEDAL, Brake
	52128 052AB	1	U		DBB	
3	5200 2750	1	J		DBB	PAD, Pedal
		1	U		DBB	



JEEP WRANGLER (TJ)

SERIES	LINE	BODY	ENGINE	TRANSMISSION
L=Low Line	J = Wrangler 4WD U = Wrangler 4WD (RHD)	77 = 93.4 WB	EPE, EP0 = 2.5L Power Tech ERH, ER0 = 4.0L Power Tech	DGG, DGD = 32RH 3 Spd. Auto. DDQ = 5 Spd. Manual DG0 = All Auto. Trans. DBB =All Manual Trans.

AR = Use as required - = Non illustrated part # = New this model year

June 7, 2002

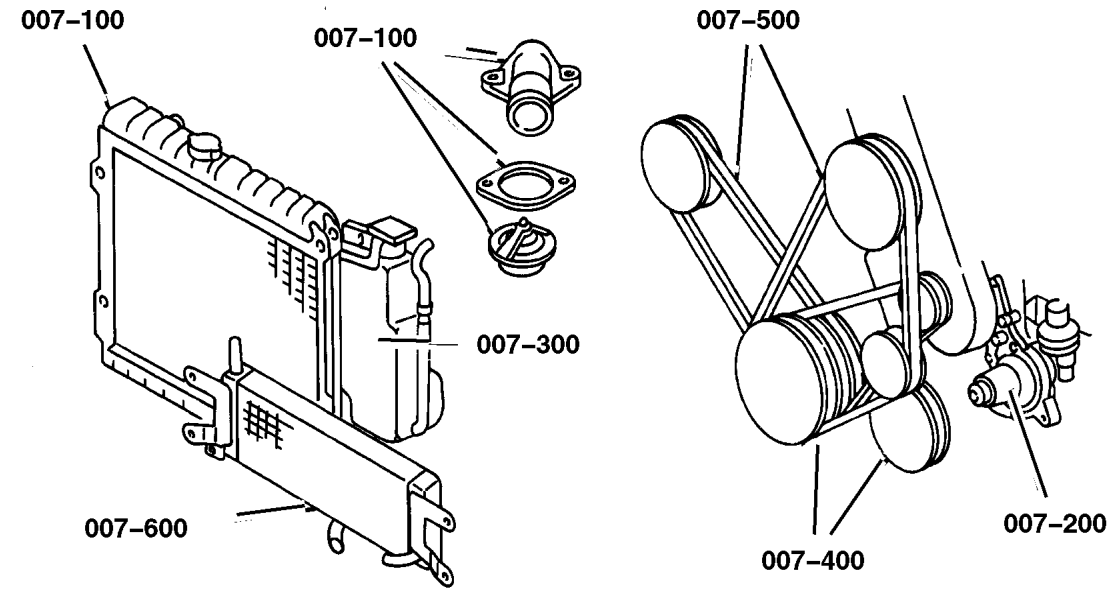
Group – 007

Cooling

GROUP 7 - Cooling

Illustration Title

Group-Fig. No.



Radiator and Related Parts

Radiator And Related Parts 1997 TJ	Fig. 007-110
Radiator And Related Parts 1998 TJ	Fig. 007-110
Radiator And Related Parts 1999 TJ	Fig. 007-110

Water Pump and Related Parts

Water Pump 1997 TJ	Fig. 007-205
Water Pump 1998 TJ 1999 TJ	Fig. 007-205

Tank, Coolant Engine

Tank, Coolant Recovery 1997 TJ	Fig. 007-302
Tank, Coolant Recovery 1998 TJ 1999 TJ	Fig. 007-302

Pulleys and Related Parts

Drive Pulleys 1997 TJ	Fig. 007-405
Drive Pulleys 1998 TJ 1999 TJ	Fig. 007-405

Drive Belts

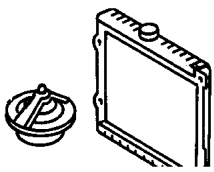

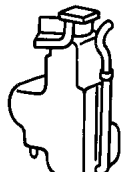
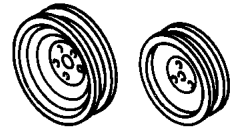
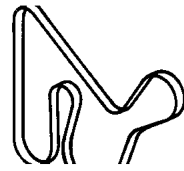
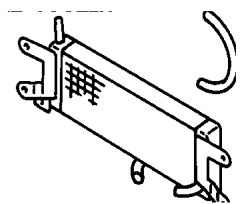
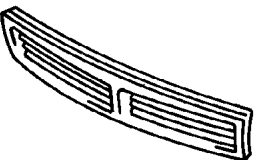
Drive Belts 1997 TJ 1998 TJ	Fig. 007-505
Drive Belts 1999 TJ	Fig. 007-505

Lines, Transmission Oil Cooler

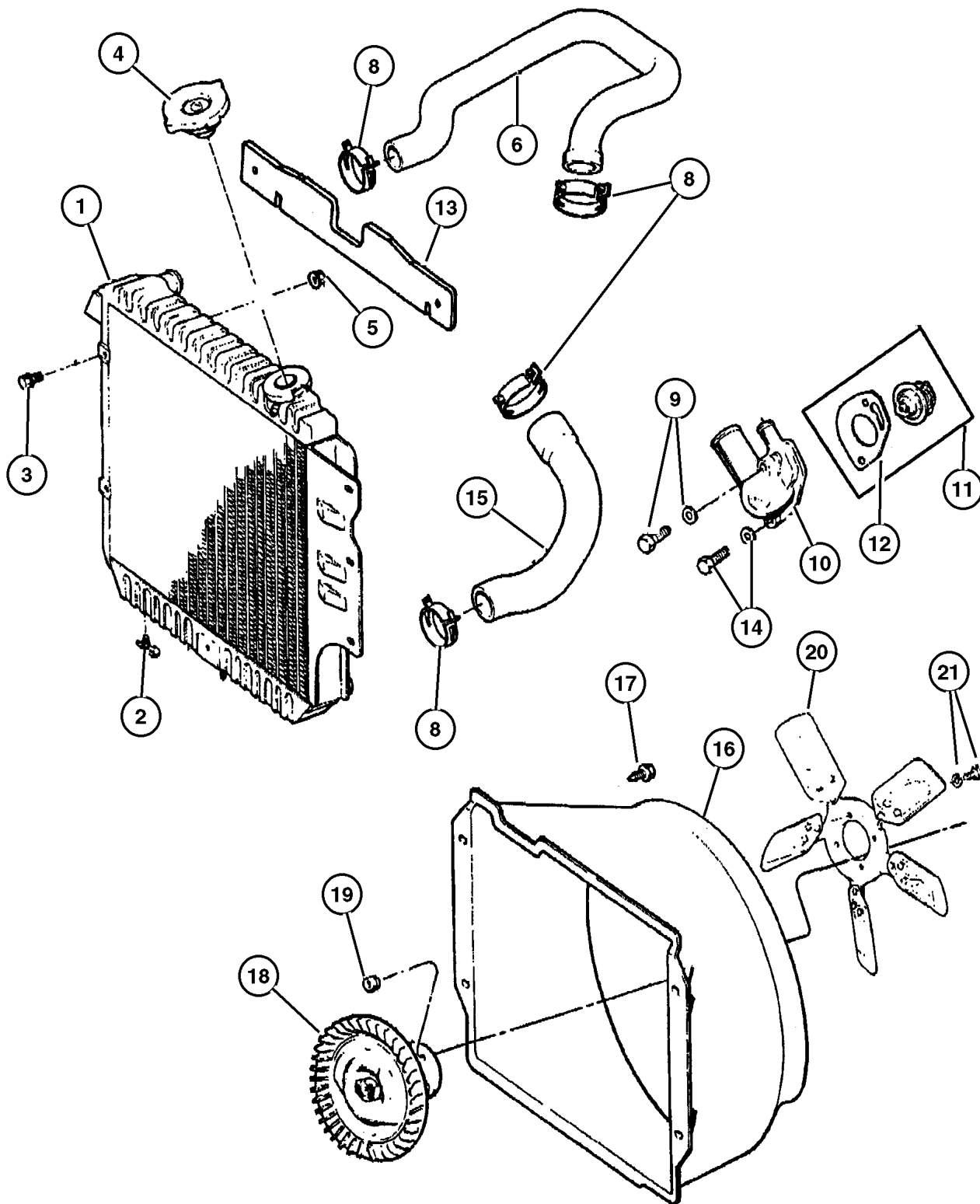
Oil Cooler Lines 1997 TJ	Fig. 007-605
Oil Cooler Lines 1998 TJ 1999 TJ	Fig. 007-605

Grilles

Grille And Related Parts	Fig. 007-705
--------------------------------	--------------

<p>007-100 Radiator and Related Parts</p> 	<p>007-200 Water Pump and Related Parts</p> 	<p>007-300 Tank, Coolant Engine</p> 	<p>007-400 Pulleys and Related Parts</p> 
<p>007-500 Drive Belts</p> 	<p>007-600 Lines, Transmission Oil Cooler</p> 	<p>007-700 Grilles</p> 	

Radiator And Related Parts 1997 TJ
Figure 007-110



ITEM	PART NUMBER	QTY	LINE	ENGINE	TRANS	DESCRIPTION
Note: Sales Code DBB = Manual Trans						
Note: Sales Code DGO = All Auto Trans						
Note: Sales Code EP0 = 2.5L Gas Engine						
Note: Sales Code ER0 = 4.0L Gas Engine						
1						RADIATOR, Engine Cooling
	5202 8123	1	J	EP0, ER0		Copper/Brass
	5208 0180	1	J	EP0	DBB	Aluminum
	5208 0181	1	J	EP0	DGO	Aluminum
	5208 0183	1	J	ER0	DBB	Aluminum
	5208 0184	1	J	ER0	DGO	Aluminum
	5208 0186	1	U	ER0		Aluminum
2						DRAINCOCK, Radiator, Serviced in Radiator ***, (NOT SERVICED)
3						SCREW, (NOT SERVICED)
4						CAP, Radiator
	5202 7793	1	U	EP0	DBB	Radiator Pressure
		1	J	ER0	DGO	Radiator Pressure
5	J400 4201	6		EP0, ER0		U-NUT, Multi-Thread Spring, 1/4-20
6						HOSE, Radiator Inlet
	5202 8144	1	U	ER0		
	5202 8264	1	J	ER0		
-7						HOSE, Thermostat Outlet
	5202 8142	1	U	EP0		
	5202 8266	1	J	EP0		
8	5200 5580	1				CLAMP, Hose to Radiator
9	6034 926	1		EP0, ER0		SCREW AND WASHER, Hex Head, .312-18x2.38
10	5300 6192	1		EP0, ER0		HOUSING, Thermostat
11	5202 8186	1		EP0, ER0		THERMOSTAT, 195 Degrees
12	5302 0547	1		EP0, ER0		GASKET, Thermostat, Thermostat Housing
13	55036 368AB	1				SEAL, Condenser
14	6034 927	1		EP0, ER0		SCREW AND WASHER, Hex Head, .312-18x.970
15						HOSE, Radiator To Pump
	5202 8141	1		EP0		
	5202 8143	1	U	ER0		
	5202 8265	1	J	ER0		
16						SHROUD, Fan

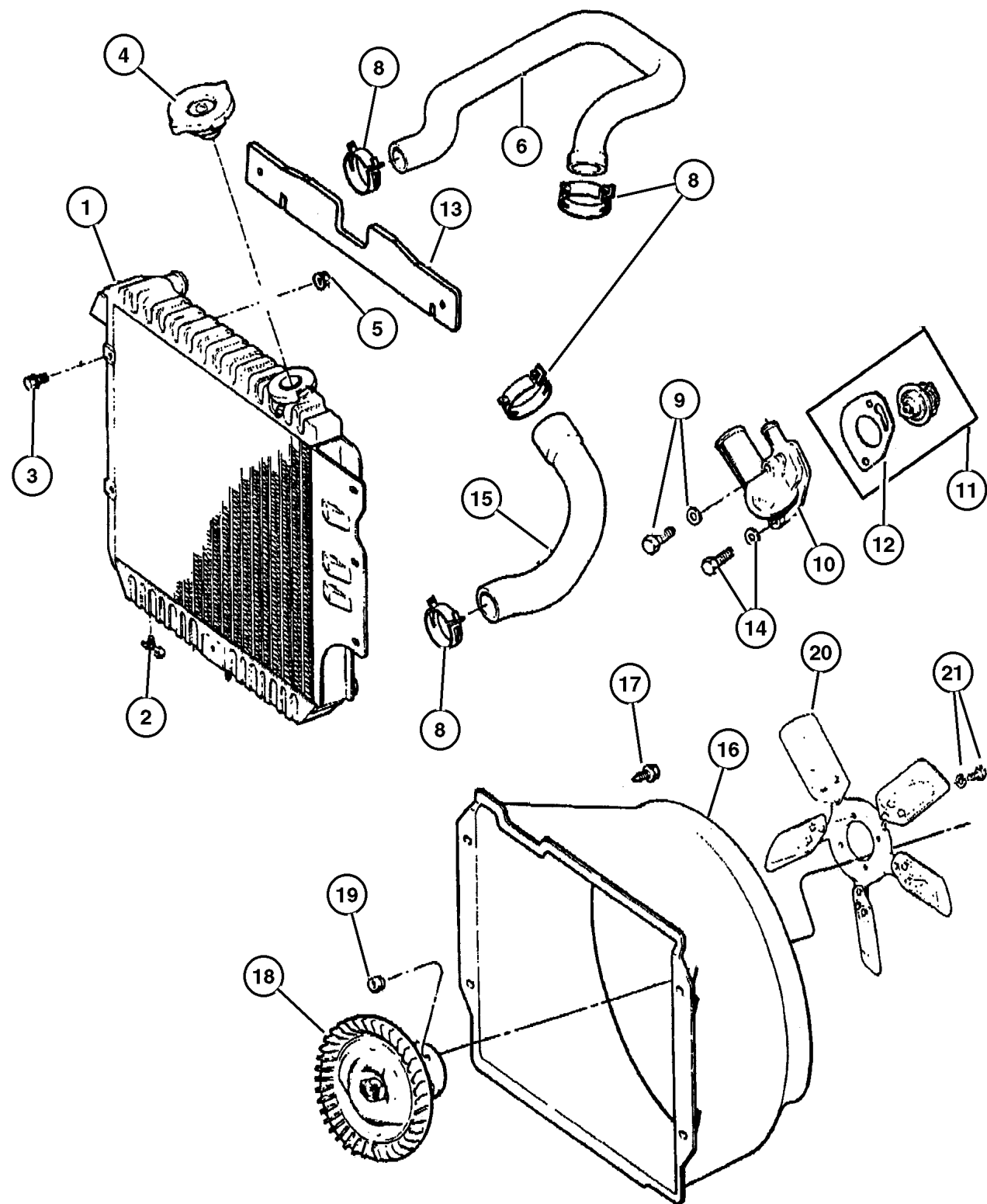
JEEP WRANGLER (TJ)

SERIES	LINE	BODY	ENGINE	TRANSMISSION
L=Low Line	J = Wrangler 4WD U = Wrangler 4WD (RHD)	77 = 93.4 WB	EPE, EP0 = 2.5L Power Tech ERH, ER0 = 4.0L Power Tech	DGG, DGD = 32RH 3 Spd. Auto. DDQ = 5 Spd. Manual DGO = All Auto. Trans. DBB =All Manual Trans.

AR = Use as required - = Non illustrated part # = New this model year

June 7, 2002

Radiator And Related Parts 1997 TJ
Figure 007-110



ITEM	PART NUMBER	QTY	LINE	ENGINE	TRANS	DESCRIPTION
	5202 7925	1	J	ER0		
	5202 7926	1	J	EP0		
	5202 8127	1	U	ER0		
	5202 8128	1	U	EP0		
17	6035 064	4		EP0, ER0		SCREW AND WASHER, Hex Head, .25-20x.875
18						FAN, Cooling
	5202 7890	1		EP0		
	5202 7892	1		ER0		
19	0154 591	4		EP0, ER0		NUT AND WASHER, Hex, .312-18
20						FAN, Cooling
	5200 4266	1		EP0		
	5202 7893	1		ER0		
21	6034 860	4		EP0, ER0		BOLT AND WASHER, Implement Attaching

JEEP WRANGLER (TJ)

SERIES	LINE	BODY	ENGINE	TRANSMISSION
L=Low Line	J = Wrangler 4WD U = Wrangler 4WD (RHD)	77 = 93.4 WB	EPE, EP0 = 2.5L Power Tech ERH, ER0 = 4.0L Power Tech	DGG, DGD = 32RH 3 Spd. Auto. DDQ = 5 Spd. Manual DG0 = All Auto. Trans. DBB =All Manual Trans.

AR = Use as required - = Non illustrated part # = New this model year

June 7, 2002

Radiator And Related Parts 1998 TJ
Figure 007-110

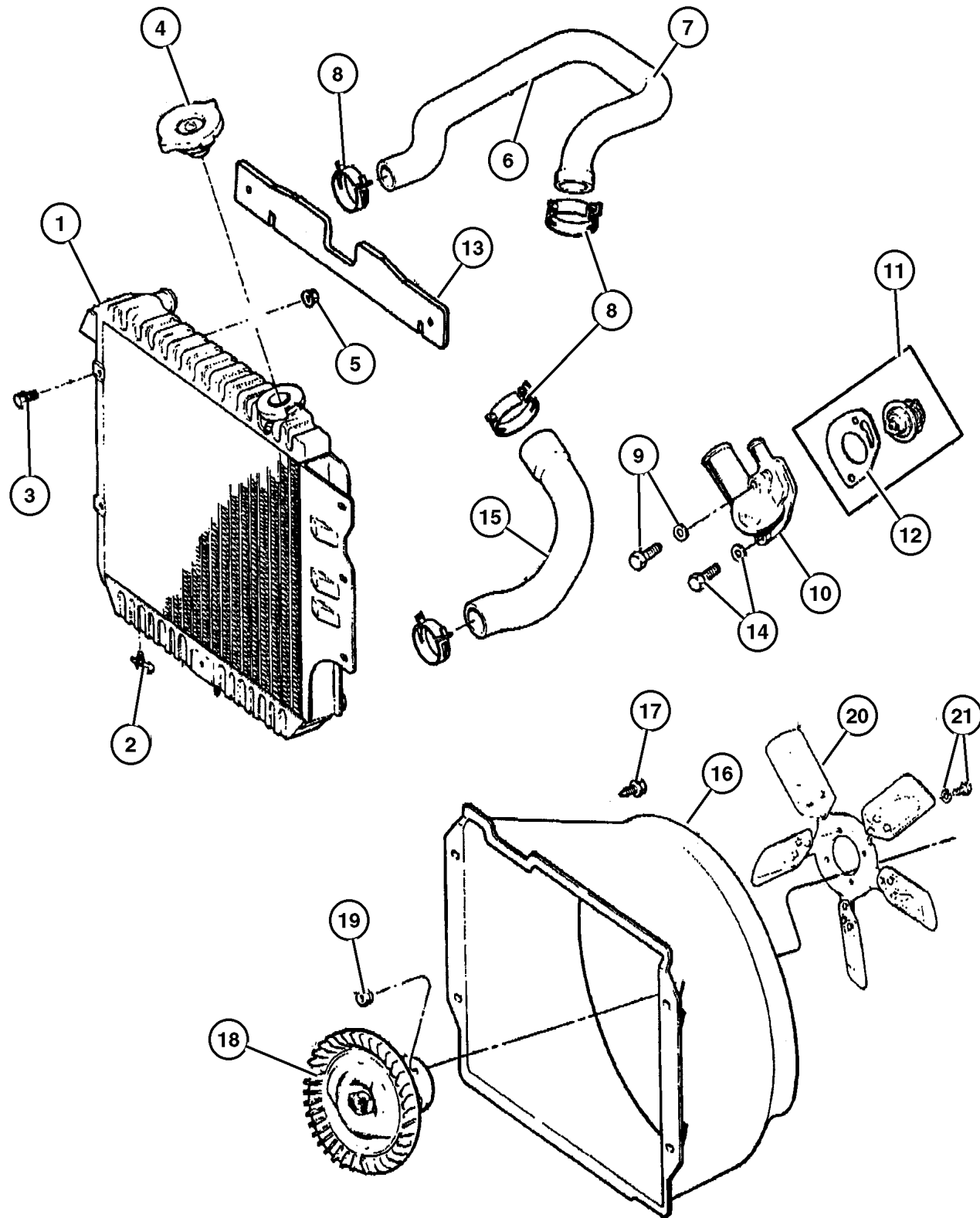
ITEM	PART NUMBER	QTY	LINE	ENGINE	TRANS	DESCRIPTION
Note: Sales Code DBB = Manual Trans						
Note: Sales Code DGO = All Auto Trans						
Note: Sales Code EP0 = 2.5L Gas Engine						
Note: Sales Code ER0 = 4.0L Gas Engine						
1						RADIATOR, Engine Cooling
	5202 8123	1	J	EP0, ER0		Copper/Brass
	5208 0180	1	J	EP0	DBB	Aluminum
	5208 0181	1	J	EP0	DGO	Aluminum
	52080 183AB	1	J	ER0	DBB	Aluminum
	52080 184AB	1	J	ER0	DGO	Aluminum
	52080 186AB	1	U	EP0		Aluminum
		1	U	ER0		Aluminum
2						DRAINCOCK, Radiator, (NOT SERVICED)
3						SCREW, (NOT SERVICED)
4	5202 7793	1	J	EP0, ER0		CAP, Radiator, Radiator Pressure
5	J400 4201	5		EP0, ER0		U-NUT, Multi-Thread Spring, 1/4-20
6						HOSE, Radiator Inlet
	5202 8144	1	U	ER0		
	5202 8264	1	J	ER0		
7	5202 8266	1		EP0		HOSE, Thermostat Outlet
8	5200 5580	1				CLAMP, Hose to Radiator
9	6034 356	1		EP0, ER0		SCREW AND WASHER, Hex Head, .312-18x2.38
10	5300 6192	1		EP0, ER0		HOUSING, Thermostat
11	5202 8186	1		EP0, ER0		THERMOSTAT, 195 Degrees
12	53020 547AB	1		EP0, ER0		GASKET, Thermostat
13	55036 368AB	1				SEAL, Condenser
14	6034 927	1		EP0, ER0		SCREW AND WASHER, Hex Head, .312-18x.970
15						HOSE, Radiator To Pump
	5202 8141	1		EP0		
	5202 8143	1	U	ER0		
	5202 8265	1	J	ER0		
16						SHROUD, Fan
	5202 7925	1	J	ER0		
	5202 7926	1	J	EP0		
	5202 8127	1	U	ER0		

JEEP WRANGLER (TJ)

SERIES	LINE	BODY	ENGINE	TRANSMISSION
L=Low Line	J = Wrangler 4WD U = Wrangler 4WD (RHD)	77 = 93.4 WB	EPE, EP0 = 2.5L Power Tech ERH, ER0 = 4.0L Power Tech	DGG, DGD = 32RH 3 Spd. Auto. DDQ = 5 Spd. Manual DGO = All Auto. Trans. DBB =All Manual Trans.

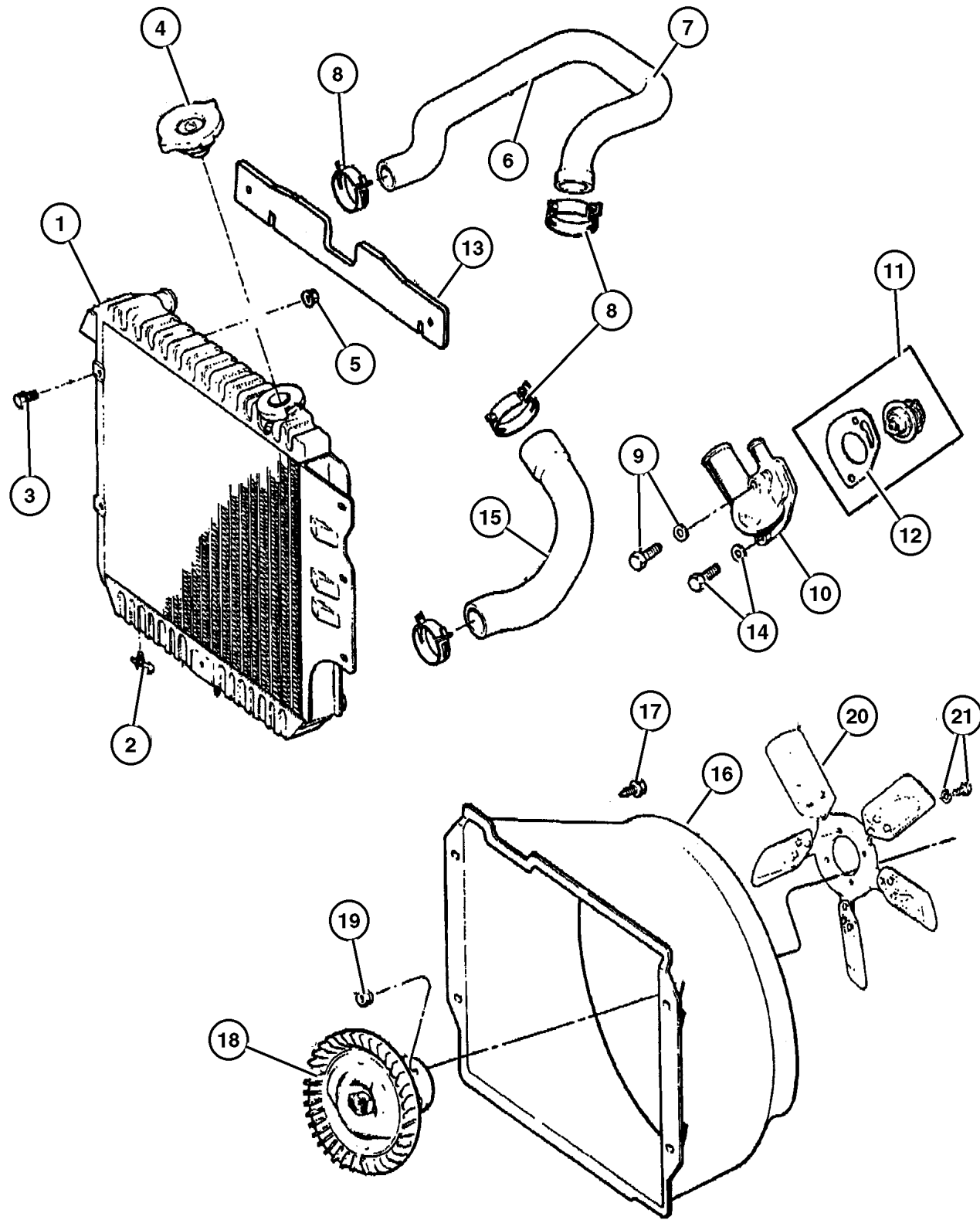
AR = Use as required - = Non illustrated part # = New this model year

June 7, 2002



Radiator And Related Parts 1998 TJ
Figure 007-110

ITEM	PART NUMBER	QTY	LINE	ENGINE	TRANS	DESCRIPTION
	5202 8128	1	U	EP0		
17	6035 064	4		EP0, ER0		SCREW AND WASHER, Hex Head, .25-20x.875
18	5202 7892	1		ER0		FAN, Cooling
	5200 4266	1		EP0		
19	0154 591	4		EP0, ER0		NUT AND WASHER, Hex, .312-18
20	5202 7893	1		ER0		FAN, Cooling
21	6034 860	4		EP0, ER0		BOLT AND WASHER, Implement Attaching



JEEP WRANGLER (TJ)

SERIES	LINE	BODY	ENGINE	TRANSMISSION
L=Low Line	J = Wrangler 4WD U = Wrangler 4WD (RHD)	77 = 93.4 WB	EPE, EP0 = 2.5L Power Tech ERH, ER0 = 4.0L Power Tech	DGG, DGD = 32RH 3 Spd. Auto. DDQ = 5 Spd. Manual DG0 = All Auto. Trans. DBB =All Manual Trans.

AR = Use as required - = Non illustrated part # = New this model year

June 7, 2002

Radiator And Related Parts 1999 TJ
Figure 007-110

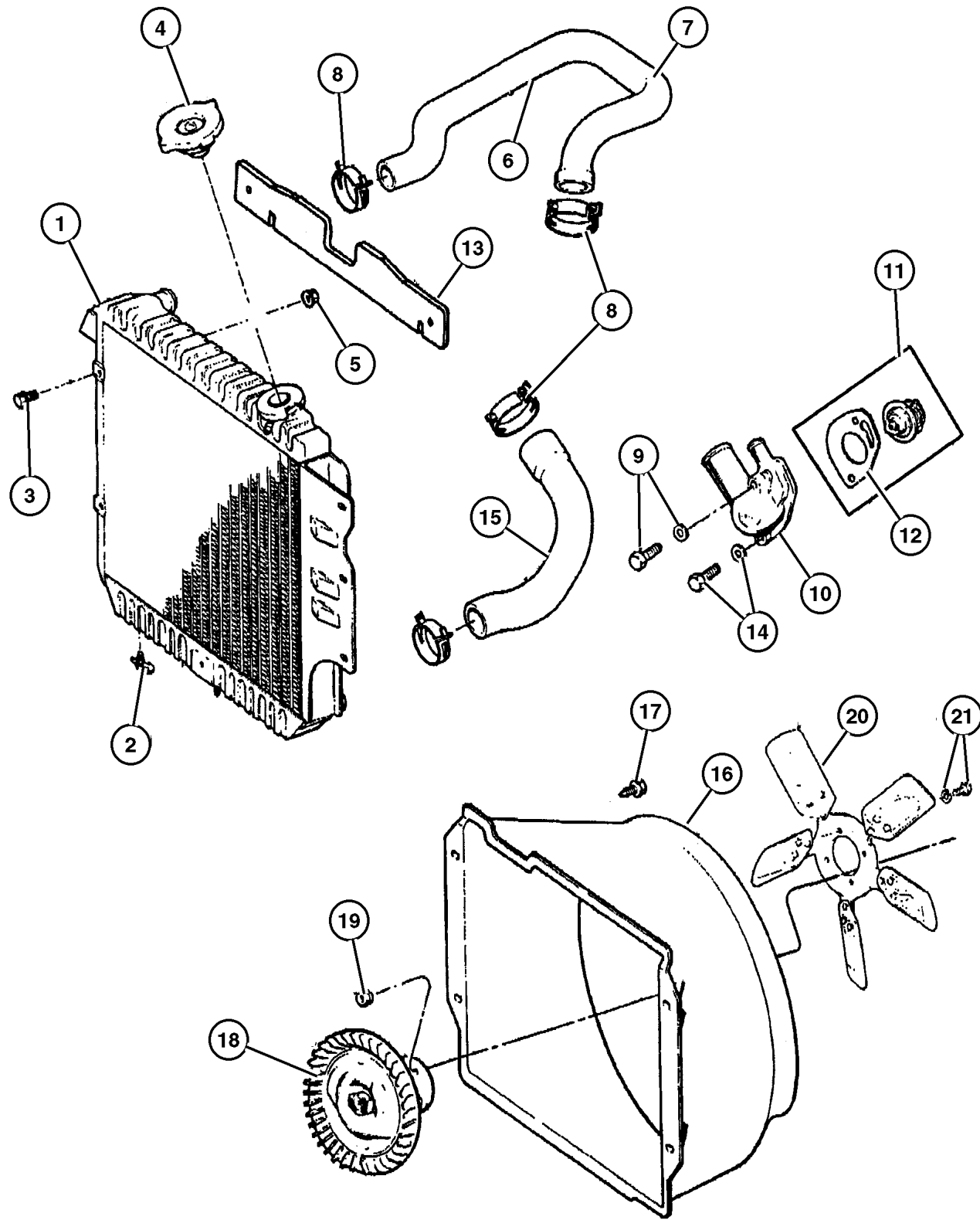
ITEM	PART NUMBER	QTY	LINE	ENGINE	TRANS	DESCRIPTION
Note: Sales Code DBB = Manual Trans						
Note: Sales Code DGO = All Auto Trans						
Note: Sales Code EP0 = 2.5L Gas Engine						
Note: Sales Code ER0 = 4.0L Gas Engine						
1						RADIATOR, Engine Cooling
	5202 8123	1	J	EP0, ER0		Copper/Brass
	5208 0180	1	J	EP0	DBB	Aluminum
	5208 0181	1	J	EP0	DGO	Aluminum
	52080 183AB	1	J	ER0	DBB	Aluminum
	52080 184AB	1	J	ER0	DGO	Aluminum
	52080 186AB	1	U	EP0		Aluminum
		1	U	ER0		Aluminum
2						DRAINCOCK, Radiator, (NOT SERVICED)
3						SCREW, (NOT SERVICED)
4	5202 7793	1	J	EP0, ER0		CAP, Radiator, Radiator Pressure
5						U-NUT, Multi-Thread Spring, 1/4-20, (NOT REQUIRED)
6						HOSE, Radiator Inlet
	5202 8144	1	U	ER0		
	5202 8264	1	J	ER0		
7	5202 8266	1		EP0		HOSE, Thermostat Outlet
8	5200 5580	1				CLAMP, Hose to Radiator
9	6034 356	1		EP0, ER0		SCREW AND WASHER, Hex Head, .312-18x2.38
10	5300 6192	1		EP0, ER0		HOUSING, Thermostat
11	5202 8186	1		EP0, ER0		THERMOSTAT, 195 Degrees
12	53020 547AB	1		EP0, ER0		GASKET, Thermostat
13	5503 6369	1				SEAL, Condenser
14	6034 927	1		EP0, ER0		SCREW AND WASHER, Hex Head, .312-18x.970
15						HOSE, Radiator To Pump
	5202 8141	1		EP0		
	5202 8143	1	U	ER0		
	5202 8265	1	J	ER0		
16						SHROUD, Fan
	5202 7925	1	J	ER0		
	5202 7926	1	J	EP0		
	5202 8127	1	U	ER0		
	5202 8128	1	U	EP0		

JEEP WRANGLER (TJ)

SERIES	LINE	BODY	ENGINE	TRANSMISSION
L=Low Line	J = Wrangler 4WD U = Wrangler 4WD (RHD)	77 = 93.4 WB	EPE, EP0 = 2.5L Power Tech ERH, ER0 = 4.0L Power Tech	DGG, DGD = 32RH 3 Spd. Auto. DDQ = 5 Spd. Manual DGO = All Auto. Trans. DBB =All Manual Trans.

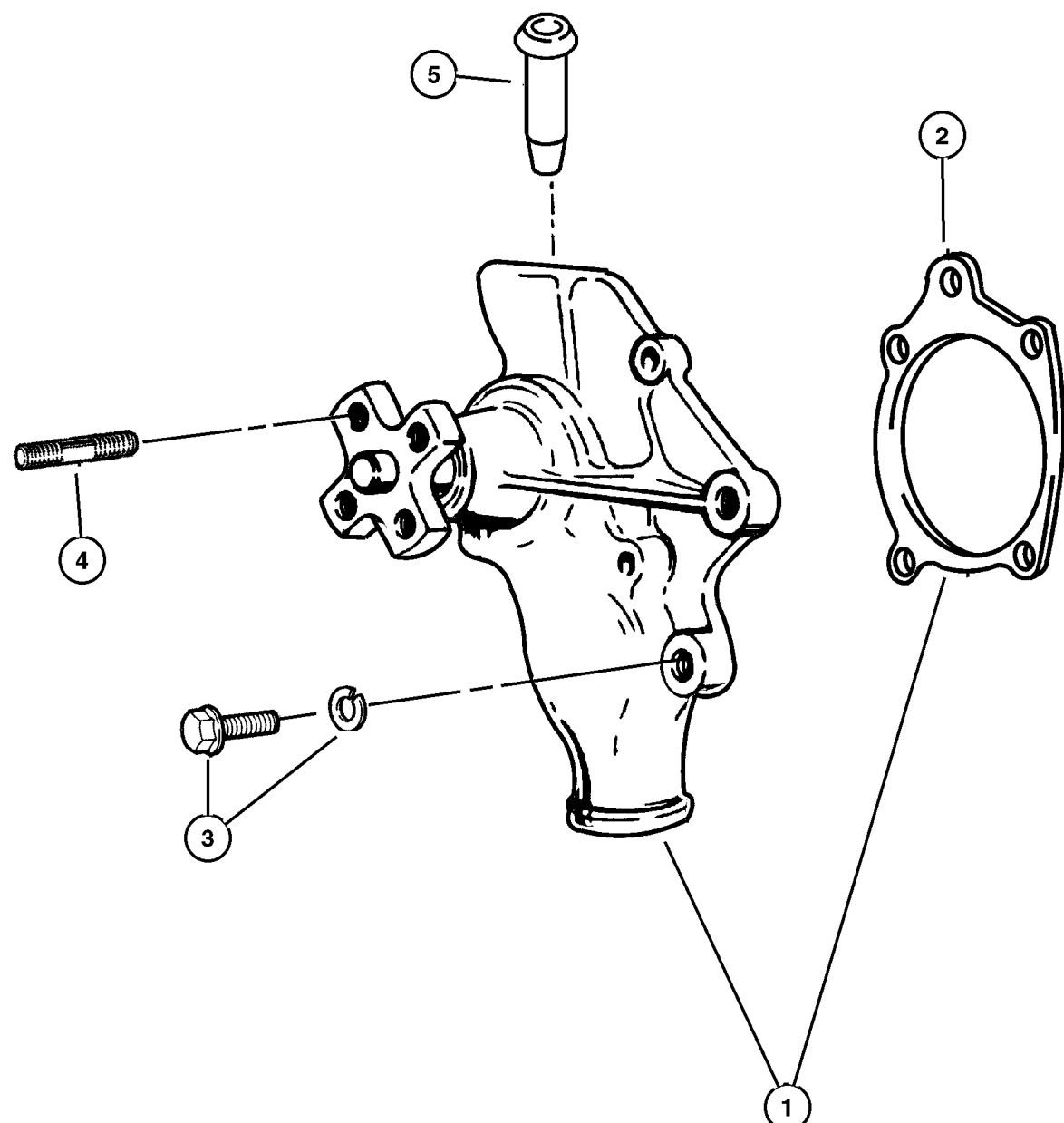
AR = Use as required - = Non illustrated part # = New this model year

June 7, 2002



Water Pump 1997 TJ
Figure 007-205

ITEM	PART NUMBER	QTY	LINE	ENGINE	TRANS	DESCRIPTION
Note: Sales Code EP0 = 2.5L Gas Engine						
Note: Sales Code ER0 = 4.0L Gas Engine						
1	4626 054	1		EP0, ER0		PUMP PACKAGE, Water, Pump
2	5302 0420	1		EP0, ER0		GASKET, Water Pump, Pump Housing
3	6033 978	3		EP0, ER0		SCREW AND WASHER, Hex Head, .312-18x1.12
4	J400 6714	4		EP0, ER0		STUD, .312-18/.312-24x1.250
5	5300 7978	1		EP0, ER0		TUBE, Water Pump Heater Return, Pump Heater Return

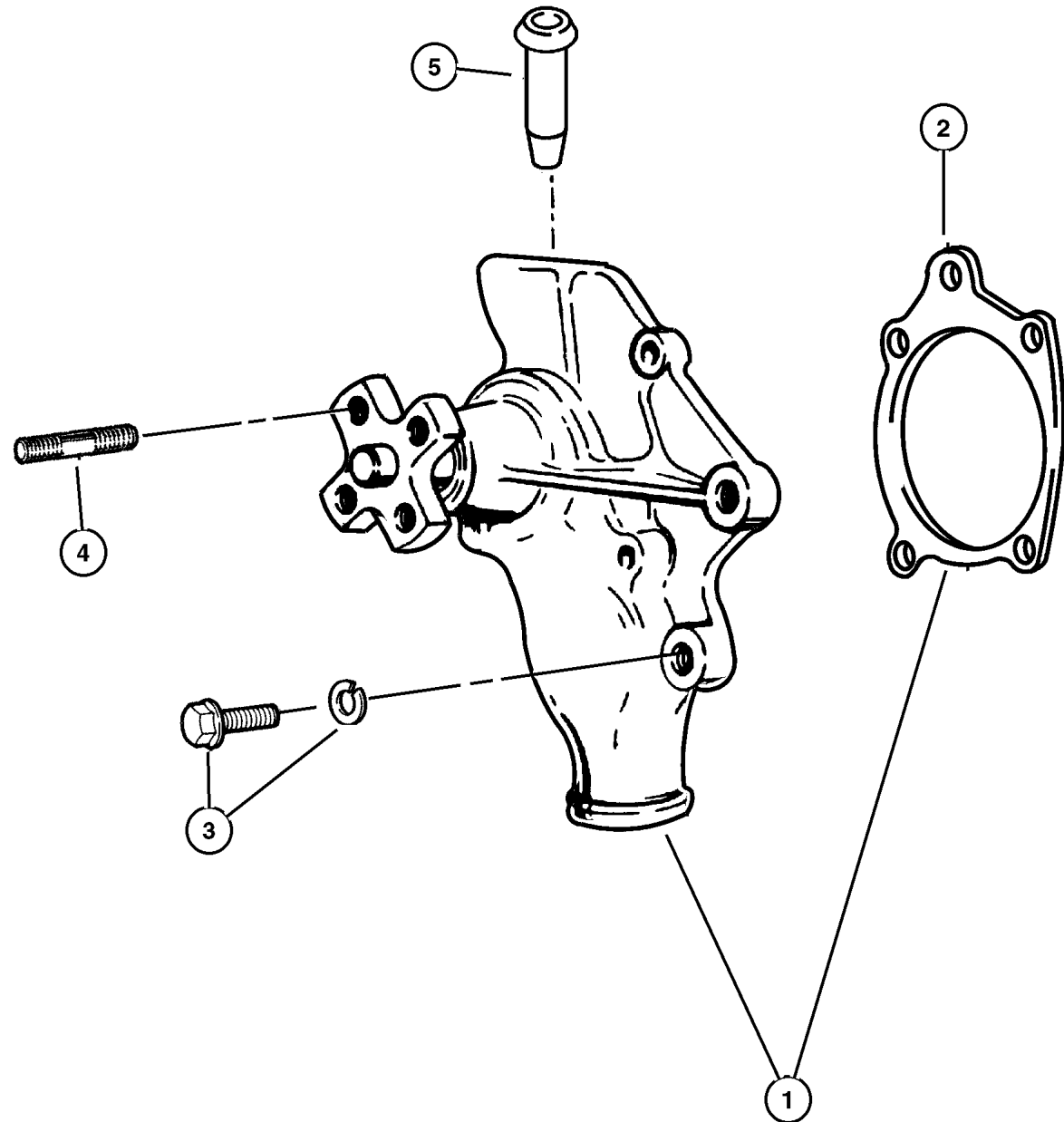


JEEP WRANGLER (TJ)				
SERIES	LINE	BODY	ENGINE	TRANSMISSION
L=Low Line	J = Wrangler 4WD U = Wrangler 4WD (RHD)	77 = 93.4 WB	EPE, EP0 = 2.5L Power Tech ERH, ER0 = 4.0L Power Tech	DGG, DGD = 32RH 3 Spd. Auto. DDQ = 5 Spd. Manual DG0 = All Auto. Trans. DBB =All Manual Trans.

AR = Use as required - = Non illustrated part # = New this model year

June 7, 2002

Water Pump 1998 TJ 1999 TJ
Figure 007-205



ITEM	PART NUMBER	QTY	LINE	ENGINE	TRANS	DESCRIPTION
Note: Sales Code EP0 = 2.5L Gas Engine						
Note: Sales Code ER0 = 4.0L Gas Engine						
1	4626 054AD	1		EP0, ER0		PUMP PACKAGE, Water
2						GASKET, Water Pump
	5301 0419	1		EP0, ER0		1999 TJ
	5302 0420	1		EP0, ER0		Pump Housing, 1998 TJ
3						SCREW AND WASHER, Hex Head, .312-18x1.12
	6033 978	3		EP0, ER0		1998 TJ
	J400 4455	1				1999 TJ
4	J400 6714	4		EP0, ER0		STUD, .312-18/.312-24x1.250
5	5300 7978	1		EP0, ER0		TUBE, Water Pump Heater Return, Pump Heater Return

JEEP WRANGLER (TJ)

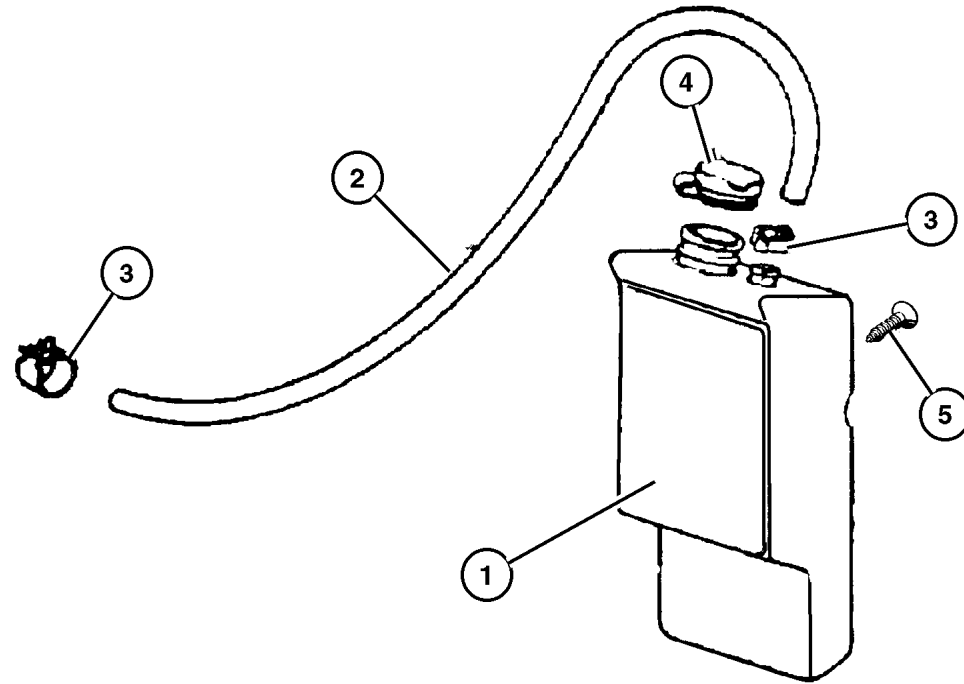
SERIES	LINE	BODY	ENGINE	TRANSMISSION
L=Low Line	J = Wrangler 4WD U = Wrangler 4WD (RHD)	77 = 93.4 WB	EPE, EP0 = 2.5L Power Tech ERH, ER0 = 4.0L Power Tech	DGG, DGD = 32RH 3 Spd. Auto. DDQ = 5 Spd. Manual DG0 = All Auto. Trans. DBB =All Manual Trans.

AR = Use as required - = Non illustrated part # = New this model year

June 7, 2002

**Tank, Coolant Recovery 1997 TJ
Figure 007-302**

ITEM	PART NUMBER	QTY	LINE	ENGINE	TRANS	DESCRIPTION
Note: Sales Code EP0 = 2.5L Gas Engine						
Note: Sales Code ER0 = 4.0L Gas Engine						
1	52028 068AB	1		EP0, ER0		BOTTLE, Coolant Recovery, Coolant
2						HOSE, 5/8" I.D. 50 Foot Roll, (DNS), (NOT SERVICED)
3						CLAMP, (NOT SERVICED)
4	5207 9331	1		EP0, ER0		CAP, Coolant Reserve Tank, Coolant Tank
5						SCREW, (NOT SERVICED)



JEEP WRANGLER (TJ)

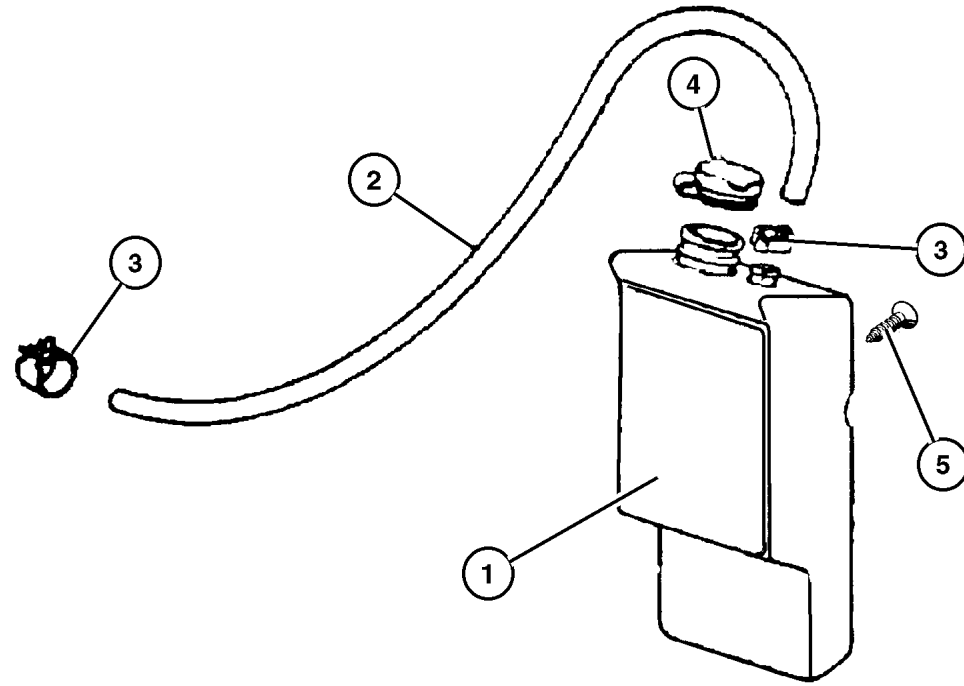
SERIES	LINE	BODY	ENGINE	TRANSMISSION
L=Low Line	J = Wrangler 4WD U = Wrangler 4WD (RHD)	77 = 93.4 WB	EPE, EP0 = 2.5L Power Tech ERH, ER0 = 4.0L Power Tech	DGG, DGD = 32RH 3 Spd. Auto. DDQ = 5 Spd. Manual DG0 = All Auto. Trans. DBB =All Manual Trans.

AR = Use as required - = Non illustrated part # = New this model year

June 7, 2002

Tank, Coolant Recovery 1998 TJ 1999 TJ
Figure 007-302

ITEM	PART NUMBER	QTY	LINE	ENGINE	TRANS	DESCRIPTION
Note: Sales Code EP0 = 2.5L Gas Engine						
Note: Sales Code ER0 = 4.0L Gas Engine						
1	52028 068AB	1		EP0, ER0		BOTTLE, Coolant Recovery
2						HOSE, 5/8" I.D. 50 Foot Roll, (DNS), (NOT SERVICED)
3						CLAMP, (NOT SERVICED)
4	5207 9331	1		EP0, ER0		CAP, Coolant Reserve Tank
5						SCREW, (NOT SERVICED)



JEEP WRANGLER (TJ)

SERIES	LINE	BODY	ENGINE	TRANSMISSION
L=Low Line	J = Wrangler 4WD U = Wrangler 4WD (RHD)	77 = 93.4 WB	EPE, EP0 = 2.5L Power Tech ERH, ER0 = 4.0L Power Tech	DGG, DGD = 32RH 3 Spd. Auto. DDQ = 5 Spd. Manual DG0 = All Auto. Trans. DBB =All Manual Trans.

AR = Use as required - = Non illustrated part # = New this model year

June 7, 2002

Drive Pulleys 1997 TJ
Figure 007-405

ITEM	PART NUMBER	QTY	LINE	ENGINE	TRANS	DESCRIPTION
------	-------------	-----	------	--------	-------	-------------

Note: Sales Code EP0 = 2.5L Gas Engine

Note: Sales Code ER0 = 4.0L Gas Engine

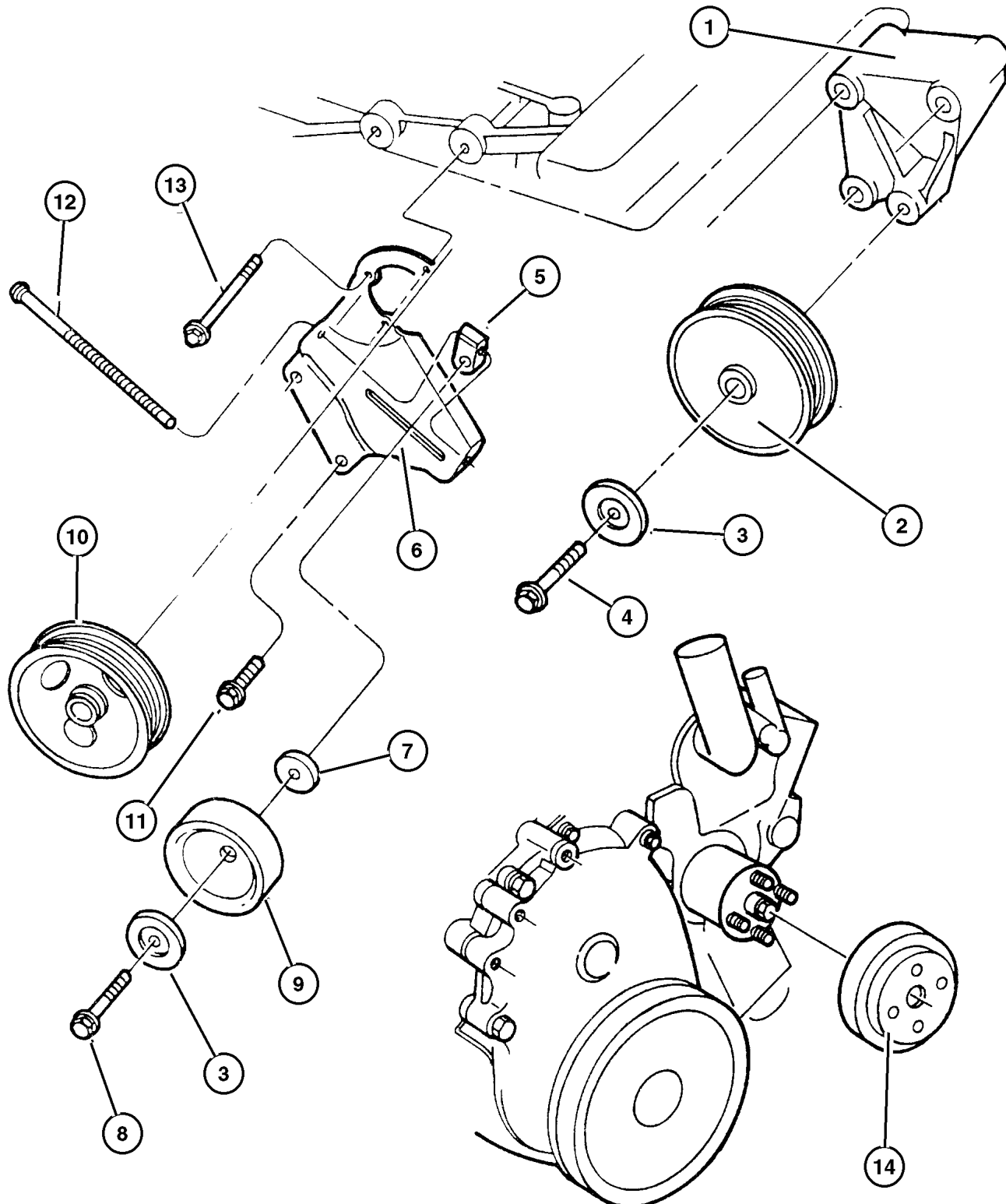
1						BRACKET, Idler Pulley
	5301 0202	1	J	EP0		Idler Pulley Mtg., w/o Power Steering
		1	J	ER0		Idler Pulley Mtg., w/o Power Steering
		1	U	EP0		Idler Pulley Mtg., w/o Power Steering
		1	U	ER0		Idler Pulley Mtg., w/o Power Steering
2	5300 2903	1		EP0, ER0		PULLEY, Idler
3	3300 2201	1		EP0, ER0		BUSHING, Idler Pulley, Belt Tensioner Pulley
4	6504 239	1		EP0, ER0		SCREW AND WASHER, M10x1.5x40
5	5301 0149	1		EP0, ER0		COLLAR, Tensioner Adjustment, Tensioning Adjusting
6						BRACKET, Tensioner
	5301 0148	1	J	EP0		Belt Tensioning Adjuster
		1	J	ER0		Belt Tensioning Adjuster
		1	U	EP0		Belt Tensioning Adjuster
		1	U	ER0		Belt Tensioning Adjuster
7	6503 230	1		EP0, ER0		SPACER, Belt Tensioner, Pulley
8	3420 2029	1		EP0, ER0		BOLT, Hex Flange Head, M10x1.50x50
9	4792 112	1		EP0, ER0		PULLEY, Idler, Idler Tensioning
10	5301 0258	1		EP0, ER0		PULLEY, Power Steering Pump, Power Steering
11						SCREW, (NOT SERVICED)
12	6503 198	1		EP0, ER0		BOLT, Adjusting Bracket
13						SCREW, (NOT SERVICED)
14	5300 7154	1		EP0, ER0		PULLEY, Water Pump, Water Pump

JEEP WRANGLER (TJ)

SERIES	LINE	BODY	ENGINE	TRANSMISSION
L=Low Line	J = Wrangler 4WD U = Wrangler 4WD (RHD)	77 = 93.4 WB	EPE, EP0 = 2.5L Power Tech ERH, ER0 = 4.0L Power Tech	DGG, DGD = 32RH 3 Spd. Auto. DDQ = 5 Spd. Manual DG0 = All Auto. Trans. DBB =All Manual Trans.

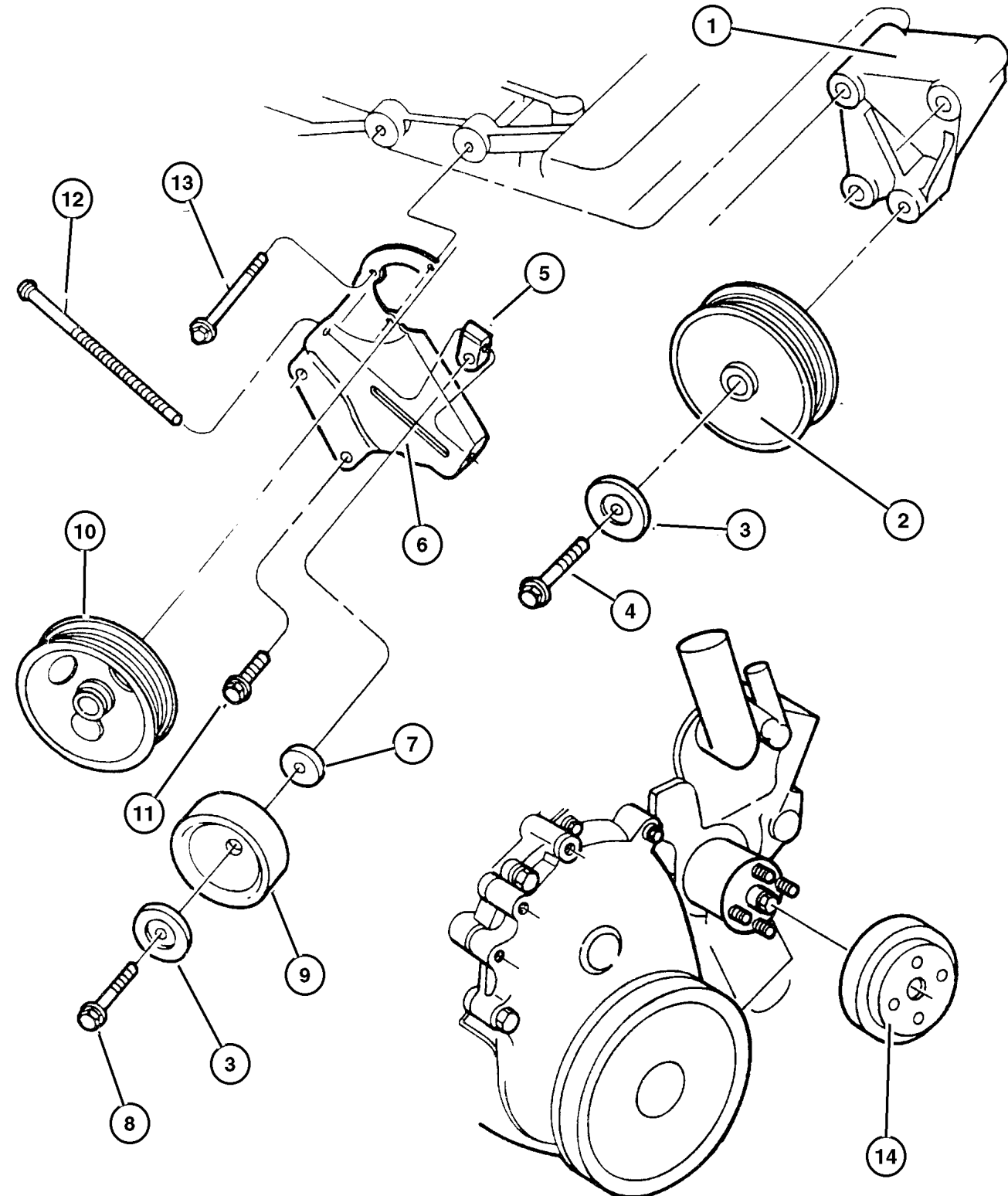
AR = Use as required - = Non illustrated part # = New this model year

June 7, 2002



Drive Pulleys 1998 TJ 1999 TJ
Figure 007-405

ITEM	PART NUMBER	QTY	LINE	ENGINE	TRANS	DESCRIPTION
Note: Sales Code EP0 = 2.5L Gas Engine						
Note: Sales Code ER0 = 4.0L Gas Engine						
1						BRACKET, Idler Pulley
	5301 0202	1	J	EP0		Idler Pulley Mtg., w/o Power Steering, 1998 TJ
		1	J	ER0		Idler Pulley Mtg., w/o Power Steering, 1998 TJ
		1	U	EP0		Idler Pulley Mtg., w/o Power Steering, 1998 TJ
		1	U	ER0		Idler Pulley Mtg., w/o Power Steering, 1998 TJ
		1	J	EP0, ER0		1999 TJ
2						PULLEY, Idler
	4792 112	1		EP0, ER0		1999 TJ
	5300 2903	1		EP0, ER0		1998 TJ
3	3300 2201	1		EP0, ER0		BUSHING, Idler Pulley, Belt Tensioner Pulley
4	6504 239	1		EP0, ER0		SCREW AND WASHER, M10x1.5x40
5	5301 0149	1		EP0, ER0		COLLAR, Tensioner Adjustment
6						BRACKET, Tensioner
	5301 0148	1	J	EP0		Belt Tensioning Adjuster, 1998 TJ
		1	J	ER0		Belt Tensioning Adjuster, 1998 TJ
		1	U	EP0		Belt Tensioning Adjuster, 1998 TJ
		1	U	ER0		Belt Tensioning Adjuster, 1998 TJ
		1		EP0, ER0		1999 TJ
7	6503 230	1		EP0, ER0		SPACER, Belt Tensioner, Pulley
8	3420 2029	1		EP0, ER0		BOLT, Hex Flange Head, M10x1.50x50
9	4792 112	1		EP0, ER0		PULLEY, Idler, Tensioning
10						PULLEY, Power Steering Pump
	5301 0258	1		EP0, ER0		1998 TJ
	#53010 258AB	1		EP0, ER0		1999 TJ
11						SCREW, (NOT SERVICED)
12	6503 198	1		EP0, ER0		BOLT, Adjusting Bracket
13						SCREW, (NOT SERVICED)



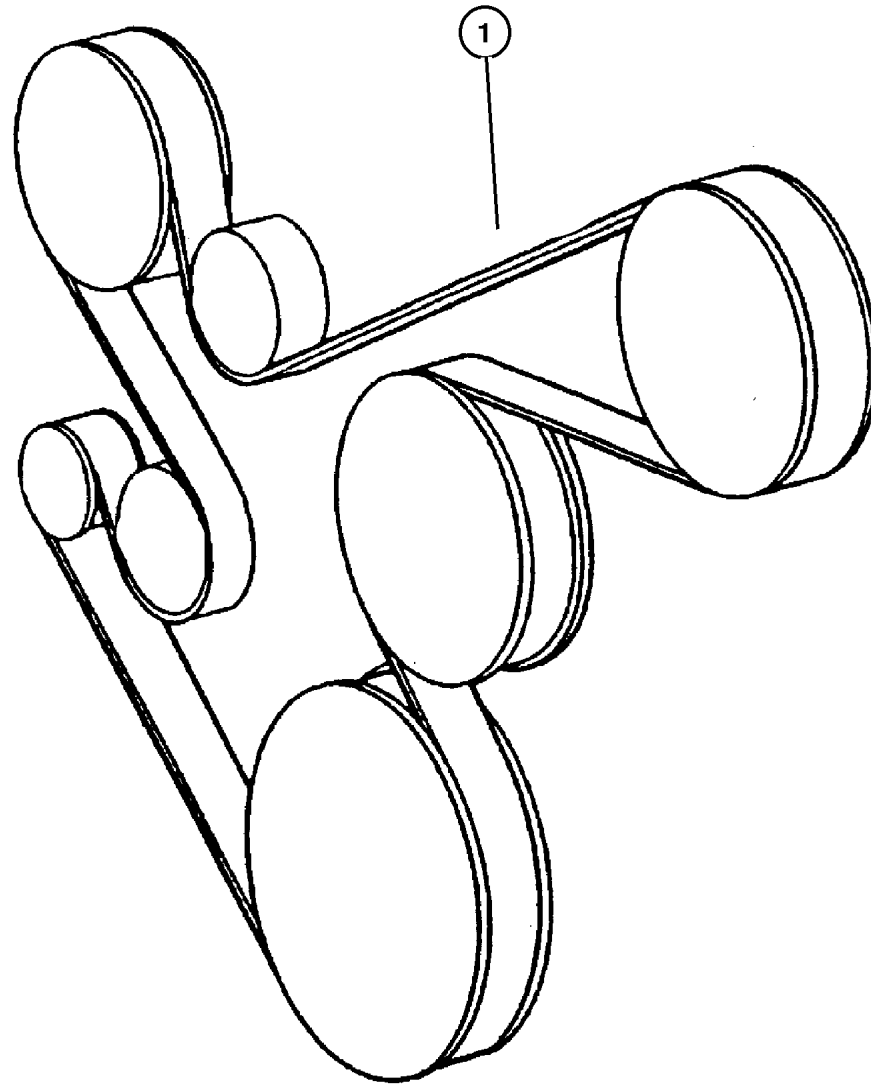
JEEP WRANGLER (TJ)

SERIES	LINE	BODY	ENGINE	TRANSMISSION
L=Low Line	J = Wrangler 4WD U = Wrangler 4WD (RHD)	77 = 93.4 WB	EPE, EP0 = 2.5L Power Tech ERH, ER0 = 4.0L Power Tech	DGG, DGD = 32RH 3 Spd. Auto. DDQ = 5 Spd. Manual DG0 = All Auto. Trans. DBB = All Manual Trans.

AR = Use as required - = Non illustrated part # = New this model year

June 7, 2002

Drive Belts 1997 TJ 1998 TJ
Figure 007-505

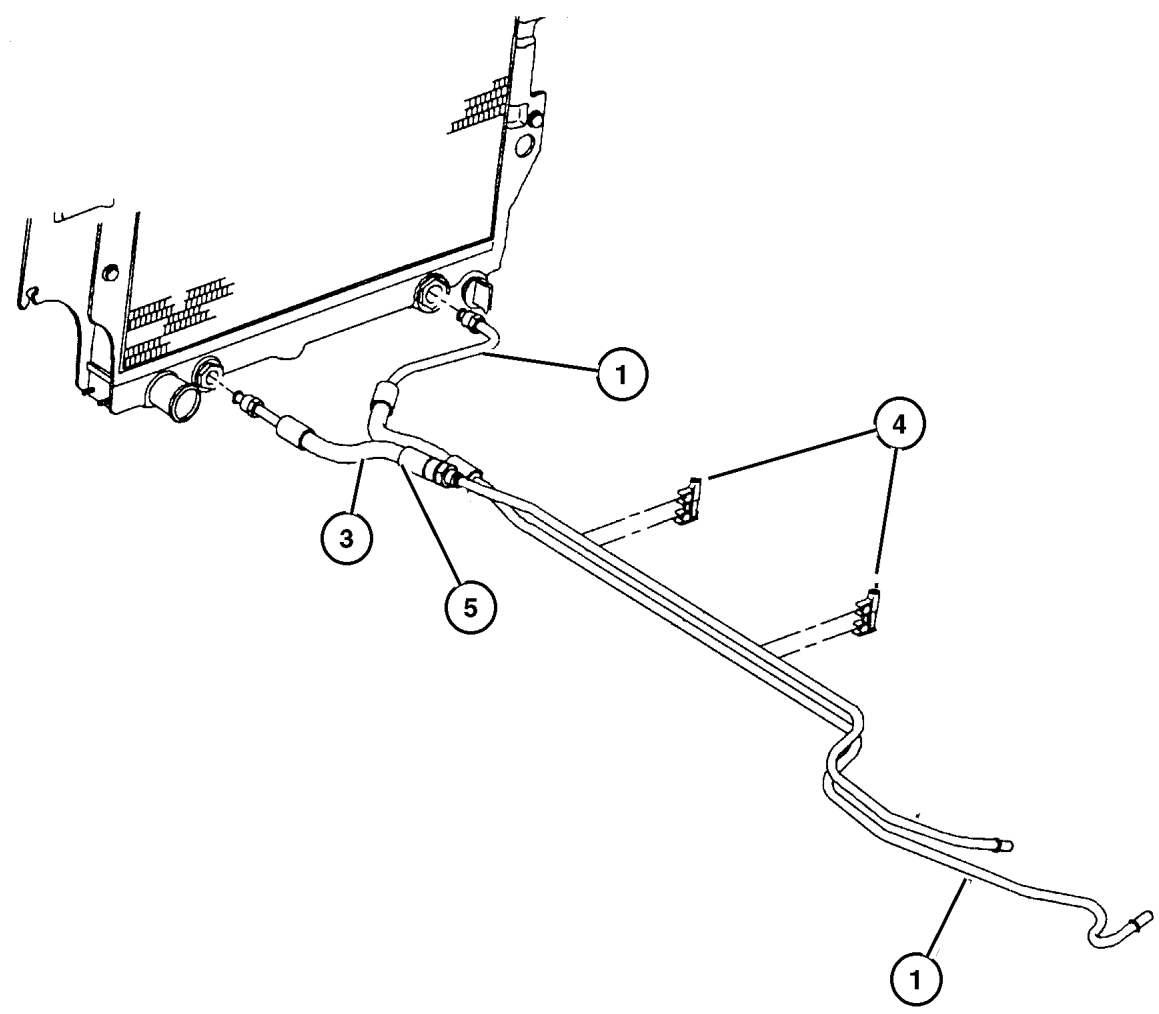


ITEM	PART NUMBER	QTY	LINE	ENGINE	TRANS	DESCRIPTION
Note: Sales Code EP0 = 2.5L Gas Engine						
Note: Sales Code ER0 = 4.0L Gas Engine						
1	5301 0254	1	J	EP0, ER0		BELT, Accessory Drive Without A/C, Without Power Steering
	5301 0257	1	J	EP0, ER0		Without A/C, With Power Steering
	5301 1012	1	U	EP0, ER0		Without A/C, Without Power Steering
	5301 1035	1	J	EP0, ER0		With A/C, With Power Steering
	5301 2009	1	U	EP0, ER0		With Power Steering, 1997 TJ
	53013 298AA	1	U	EP0, ER0		Without A/C, With Power Steering, 1997 TJ
-2	5301 0298	1	J	EP0, ER0		LABEL, Belt Routing Belt Routing
	53013 005AA	1	U	EP0, ER0		

JEEP WRANGLER (TJ)
 SERIES LINE BODY ENGINE TRANSMISSION
 L=Low Line J = Wrangler 4WD 77 = 93.4 WB EPE, EP0 = 2.5L Power Tech DGG, DGD = 32RH 3 Spd. Auto.
 U = Wrangler 4WD (RHD) ERH, ER0 = 4.0L Power Tech DDQ = 5 Spd. Manual
 DG0 = All Auto. Trans.
 DBB =All Manual Trans.

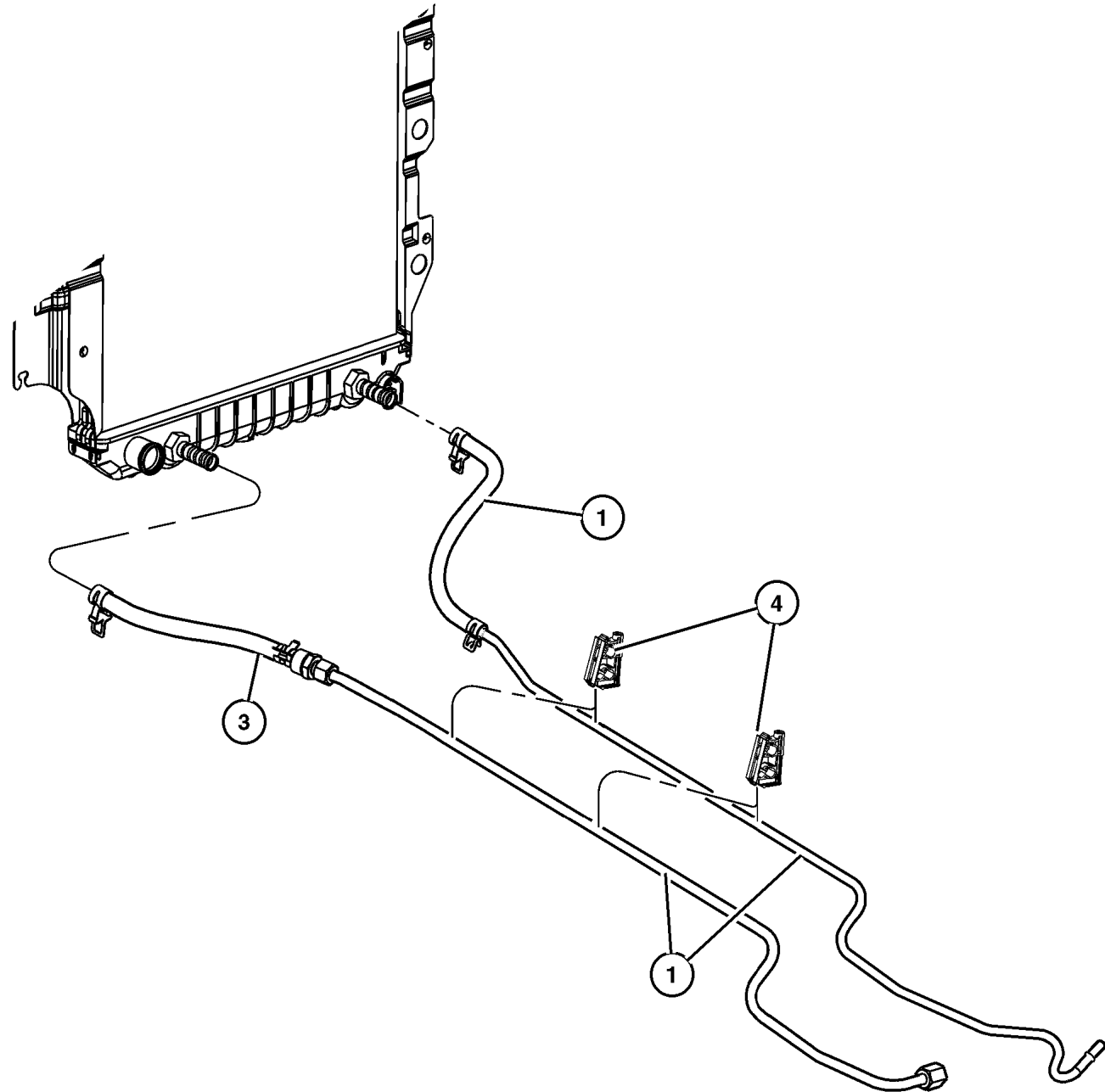
**Oil Cooler Lines 1997 TJ
Figure 007-605**

ITEM	PART NUMBER	QTY	LINE	ENGINE	TRANS	DESCRIPTION
Note: Sales Code DG0 = All Auto Trans						
Note: Sales Code EP0 = 2.5L Gas Engine						
Note: Sales Code ER0 = 4.0L Gas Engine						
1						LINE, Oil Cooler Return
	5211 8204	1		EP0	DG0	
	5211 8606	1		ER0	DG0	
-2						VALVE, Oil Cooler Pressure
	4810 001	1		EP0	DG0	Pressure
		1		ER0	DG0	
3						TUBE AND HOSE, Oil Cooler
	5207 9688	1	J	ER0	DG0	4.0L
	5207 9689	1	U	ER0	DG0	4.0L
4						BRACKET, Transmission Oil Cooler
	5211 8067	2		EP0	DG0	Cooler Lines to Oil Pan
		2		ER0	DG0	
5	5211 8116	1		EP0	DG0	LINE, Oil Cooler



JEEP WRANGLER (TJ)				
SERIES	LINE	BODY	ENGINE	TRANSMISSION
L=Low Line	J = Wrangler 4WD U = Wrangler 4WD (RHD)	77 = 93.4 WB	EPE, EP0 = 2.5L Power Tech ERH, ER0 = 4.0L Power Tech	DGG, DGD = 32RH 3 Spd. Auto. DDQ = 5 Spd. Manual DG0 = All Auto. Trans. DBB =All Manual Trans.

Oil Cooler Lines 1998 TJ 1999 TJ
Figure 007-605



ITEM	PART NUMBER	QTY	LINE	ENGINE	TRANS	DESCRIPTION
Note: Sales Code DG0 = All Auto Trans						
Note: Sales Code EP0 = 2.5L Gas Engine						
Note: Sales Code ER0 = 4.0L Gas Engine						
1	5211 8606	1		ER0	DG0	LINE, Oil Cooler Return
-2						VALVE, Oil Cooler Pressure
	5202 8463	1		EP0	DG0	1998 TJ
	52028 463AB	1		EP0	DG0	1999 TJ
		1	J	ER0	DG0	1999 TJ
		1	U	ER0	DG0	1999 TJ
3						TUBE AND HOSE, Oil Cooler
	5207 9687	1		EP0	DG0	
	5207 9688	1	J	ER0	DG0	
	5207 9689	1	U	ER0	DG0	
4	5211 8067	2		EP0	DG0	BRACKET, Transmission Oil Cooler, Cooler Lines to Oil Pan

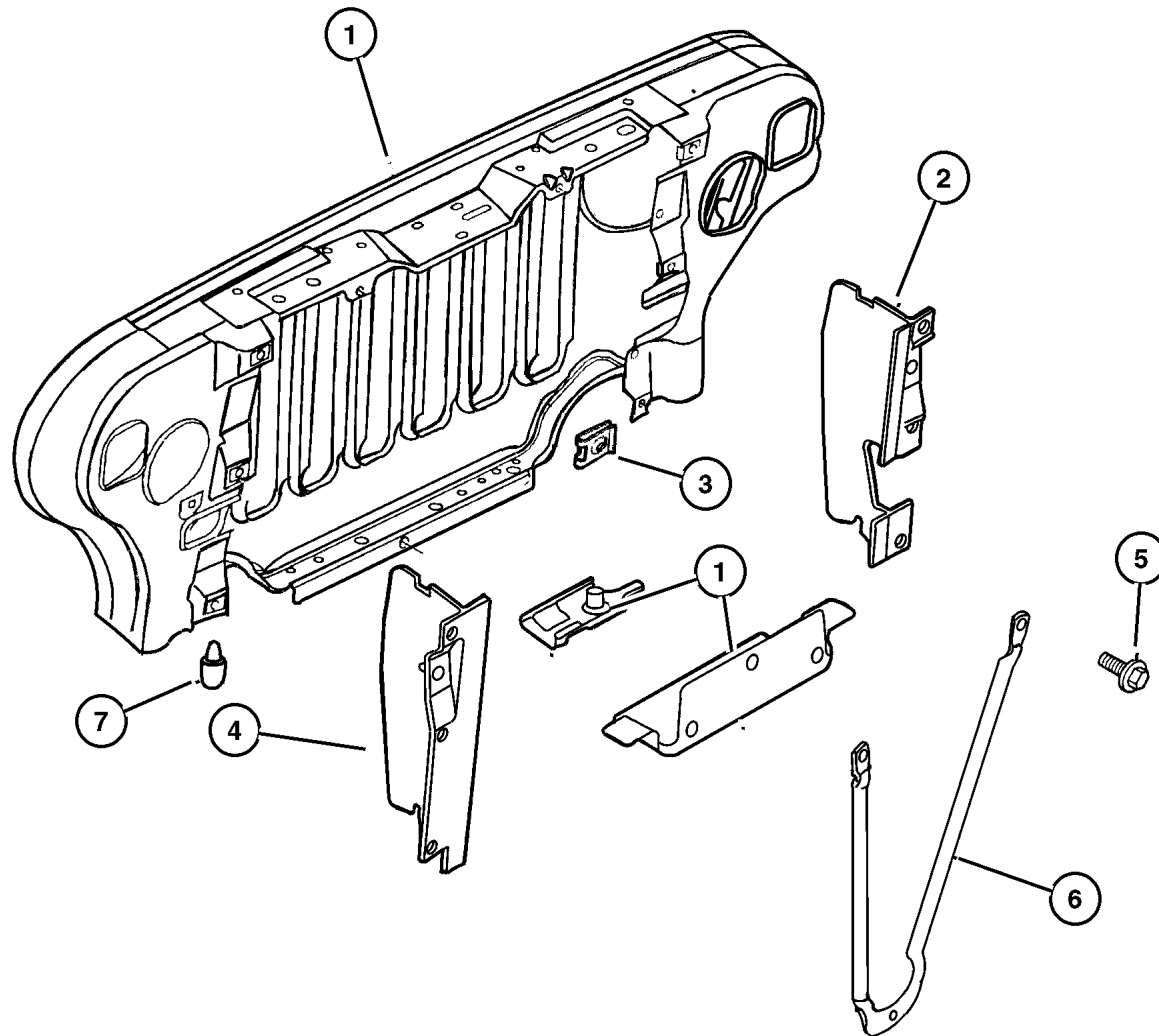
JEEP WRANGLER (TJ)

SERIES	LINE	BODY	ENGINE	TRANSMISSION
L=Low Line	J = Wrangler 4WD U = Wrangler 4WD (RHD)	77 = 93.4 WB	EPE, EP0 = 2.5L Power Tech ERH, ER0 = 4.0L Power Tech	DGG, DGD = 32RH 3 Spd. Auto. DDQ = 5 Spd. Manual DG0 = All Auto. Trans. DBB =All Manual Trans.

AR = Use as required - = Non illustrated part # = New this model year

June 7, 2002

**Grille And Related Parts
Figure 007-705**



ITEM	PART NUMBER	QTY	LINE	ENGINE	TRANS	DESCRIPTION
Note: Sales Code EP0 = 2.5L Gas Engine						
Note: Sales Code ER0 = 4.0L Gas Engine						
1	5278 309AA	1				PANEL, Radiator Closure up to 1-3-97, 1997 TJ
	55174 594AC	1				after 1-3-97, 1997 TJ
		1				1998 TJ, 1999 TJ
2	5503 6866	1	J			SEAL, Condenser Condenser to Grille, Right, 1997 TJ
		1	U			Condenser to Grille, Right, 1997 TJ
	#55036 866AC	1				Condenser to Grille, Right, 1998 TJ
3		1				Condenser to Grille, Right, 1999 TJ
		1				U-NUT, Multi-Thread Spring, 1/4-20 (NOT REQUIRED), 1999 TJ
	J400 4201	6		EP0, ER0		1997 TJ
		5		EP0, ER0		1998 TJ
4	5503 6867	1	J			SEAL, Condenser Condenser to Grille, Left, 1997 TJ
		1	U			Condenser to Grille, Left, 1997 TJ
		1				Condenser to Grille, Left, 1998 TJ, 1999 TJ
5	6100 548	3				BOLT AND CONED WASHER, Hex Head, M6x20x12.5
6	5517 6218	1	J			BRACE, Radiator Radiator Guard, 1997 TJ
		1	U			Radiator Guard, 1997 TJ
		1				Radiator Guard, 1998 TJ, 1999 TJ
7	5517 6181	2	J			ISOLATOR Front End Sheet Metal, 1997 TJ
		2	U			Front End Sheet Metal, 1997 TJ
	55176 181AB	2				Front End Sheet Metal, 1998 TJ, 1999 TJ

JEEP WRANGLER (TJ)

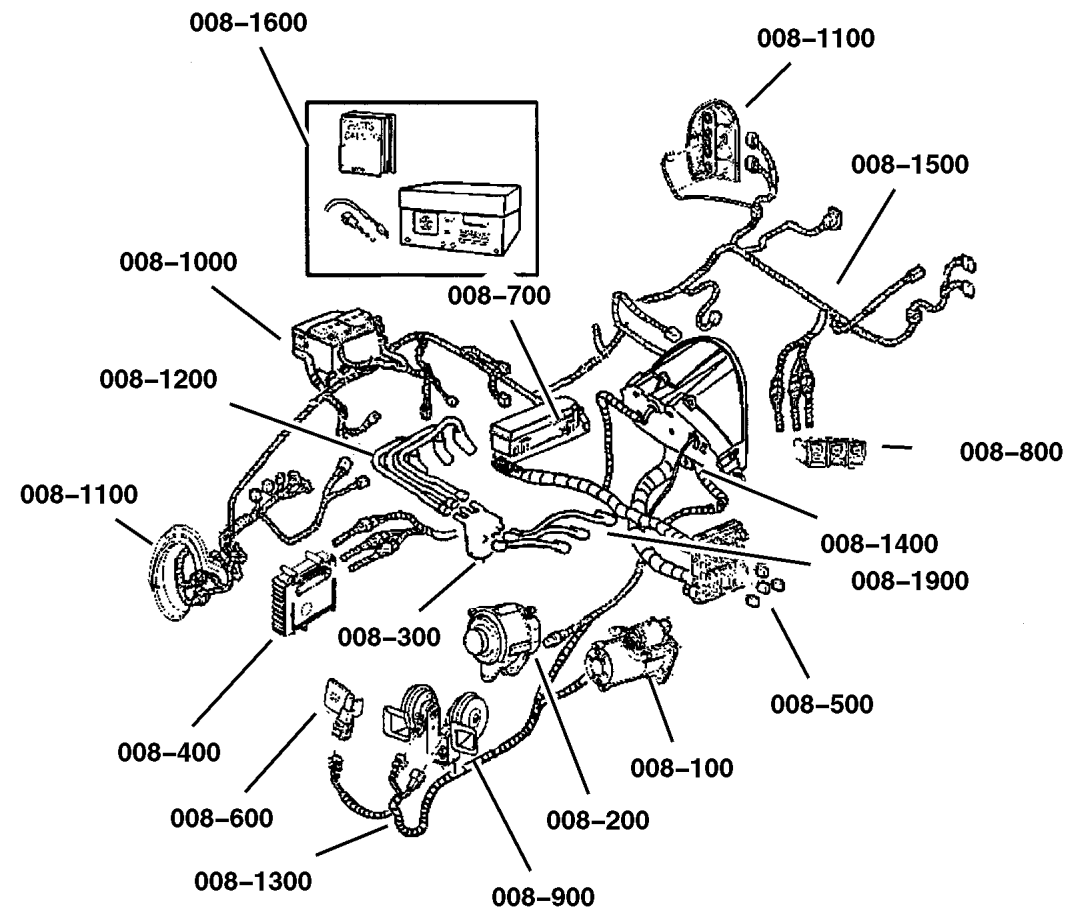
SERIES	LINE	BODY	ENGINE	TRANSMISSION
L=Low Line	J = Wrangler 4WD U = Wrangler 4WD (RHD)	77 = 93.4 WB	EPE, EP0 = 2.5L Power Tech ERH, ER0 = 4.0L Power Tech	DGG, DGD = 32RH 3 Spd. Auto. DDQ = 5 Spd. Manual DG0 = All Auto. Trans. DBB =All Manual Trans.

AR = Use as required - = Non illustrated part # = New this model year

June 7, 2002

Group – 008

Electrical



Group – 008

Electrical

008-900 Horns 	008-1000 Battery Tray and Cables 	008-1100 Lamps – Front, Rear and Courtesy 	008-1200 Wiring-Engine & Related Parts
008-1300 Wiring-Headlamp to Dash 	008-1400 Wiring-Instrument Panel 	008-1500 Wiring-Body & Accessories 	008-1600 Wiring Repair <p>WIRING REPAIR PKG.</p>
008-1900 Spark Plugs-Cables-Coils 			

008-100 Starters 	008-200 Alternators 	008-300 Distributor 	008-400 Modules
008-500 Relays 	008-600 Sensors 	008-700 Single Board Engine Controllers 	008-800 Switches



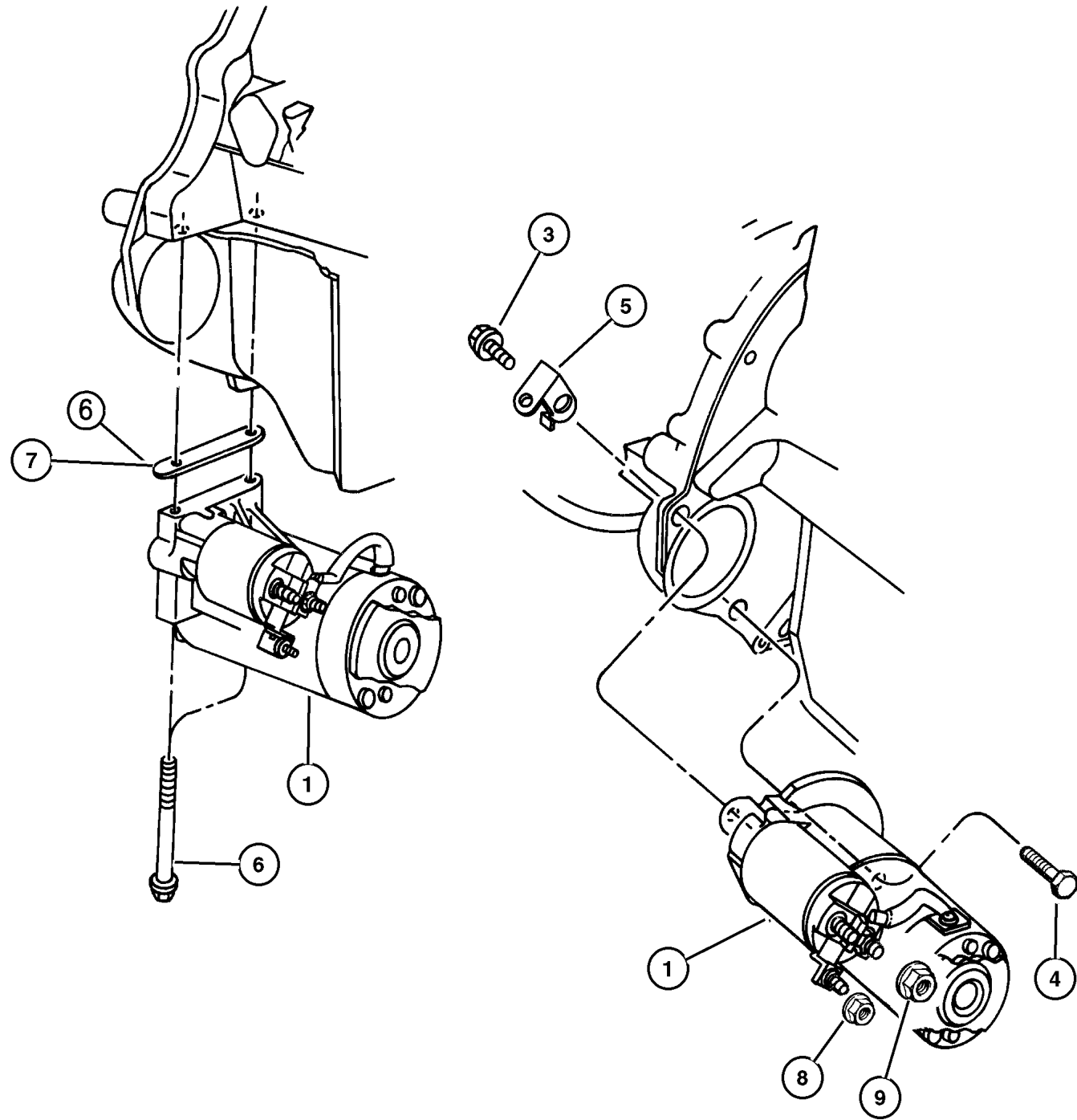
GROUP 8 - Electrical

Illustration Title	Group-Fig. No.
Starters	
Starter 1997 TJ 1999 TJ	Fig. 008-105
Starter 1998 TJ	Fig. 008-105
Alternators	
Alternator 1997 TJ	Fig. 008-205
Alternator 1998 TJ	Fig. 008-205
Alternator 1999 TJ	Fig. 008-205
Distributor	
Distributor 2.5L Engine 1997 TJ	Fig. 008-305
Distributor 2.5L Engine 1998 TJ	Fig. 008-305
Distributor 2.5L Engine 1999 TJ	Fig. 008-305
Distributor 4.0L Engine 1997 TJ 1998 TJ	Fig. 008-310
Distributor 4.0L Engine 1999 TJ	Fig. 008-310
Modules	
Modules 1997 TJ	Fig. 008-405
Modules 1998 TJ	Fig. 008-405
Modules 1999 TJ	Fig. 008-405
Relays	
Relays	Fig. 008-505
Sensors	
Sensors 1997 TJ	Fig. 008-605
Sensors 1998 TJ	Fig. 008-605
Sensors 1999 TJ	Fig. 008-605
Single Board Engine Controllers	
Single Board Engine Controllers (JTEC Module) 1997 TJ	Fig. 008-705
Single Board Engine Controllers (JTEC Module) 1998 TJ	Fig. 008-705
Single Board Engine Controllers (JTEC Module) 1999 TJ	Fig. 008-705
Switches	
Switches 1997 TJ	Fig. 008-805
Switches 1998 TJ	Fig. 008-805
Switches 1999 TJ	Fig. 008-805
Horns	
Horns 1997 TJ 1998 TJ	Fig. 008-905
Horns 1999 TJ	Fig. 008-905
Battery Tray and Cables	
Battery Tray & Cables 1997 TJ	Fig. 008-1005
Battery Tray & Cables 1998 TJ	Fig. 008-1005
Battery Tray & Cables 1999 TJ	Fig. 008-1005

GROUP 8 - Electrical

Illustration Title	Group-Fig. No.
Lamps - Front, Rear and Courtesy	
Lamps--Front 1997 TJ	Fig. 008-1105
Lamps--Front 1998 TJ	Fig. 008-1105
Lamps--Front 1999 TJ	Fig. 008-1105
Lamps--Rear 1997 TJ	Fig. 008-1110
Lamps--Rear 1998 TJ	Fig. 008-1110
Lamps--Rear 1999 TJ	Fig. 008-1110
Lamps--Cargo-Dome-Courtesy 1997 TJ	Fig. 008-1115
Lamps--Cargo-Dome-Courtesy 1998 TJ	Fig. 008-1115
Lamps--Cargo-Dome-Courtesy 1999 TJ	Fig. 008-1115
Bulbs & Sockets 1997 TJ	Fig. 008-1120
Bulbs & Sockets 1998 TJ	Fig. 008-1120
Bulbs & Sockets 1999 TJ	Fig. 008-1120
Wiring-Engine & Related Parts	
Wiring--Engine & Related Parts	Fig. 008-1205
Wiring-Headlamp to Dash	
Wiring--Headlamp / Dash Panel 1997 TJ	Fig. 008-1305
Wiring--Headlamp / Dash Panel 1998 TJ	Fig. 008-1305
Wiring--Headlamp / Dash Panel 1999 TJ	Fig. 008-1305
Wiring-Instrument Panel	
Wiring Instrument Panel & Fuses	Fig. 008-1405
Wiring-Body & Accessories	
Wiring--Body & Accessory 1997 TJ 1998 TJ	Fig. 008-1505
Wiring--Body & Accessory 1999 TJ	Fig. 008-1505
Wiring Repair	
Wiring Repair Package 1997 TJ	Fig. 008-1605
Wiring Repair Packages 1998 TJ	Fig. 008-1605
Wiring Repair Packages 1999 TJ	Fig. 008-1605
Power Distribution Center Repair	Fig. 008-1610
Spark Plugs-Cables-Coils	
Spark Plugs--Cables--Coil 1997 TJ	Fig. 008-1905
Spark Plugs--Cables--Coil 1998 TJ	Fig. 008-1905
Spark Plug--Cables--Coils 1999 TJ	Fig. 008-1905

Starter 1997 TJ 1999 TJ
Figure 008-105



ITEM	PART NUMBER	QTY	LINE	SERIES	BODY	ENGINE	TRANS	DESCRIPTION
EP0=2.5L Engine								
ER0=4.0L Engine								
1	5604 1014	1				ER0		STARTER 1997 TJ
	#56041 012AB	1				ER0		1999 TJ
	#56041 013AB	1				EP0		1999 TJ
-2	4796 981	1				EP0		STARTER PACKAGE (NOT REQUIRED), 1999 TJ 1997 TJ
3	6503 699	1				ER0		SCREW AND WASHER, Hex Head, M10x1.5x28
4	J400 6192	1				ER0		BOLT AND WASHER, Hex Head, .375- 16x1.75
5	5211 8181	1						CLIP Engine Wiring Routing, 1997 TJ
	4524 342	4						1999 TJ
6	6035 607	2				EP0		SCREW, Starter Motor
7	J324 1711	AR				EP0		SHIM, Starter Motor
8								NUT, (M5x0.80) Not Serviced ***, (NOT SERVICED)
9								NUT, (M8x1.25) Not Serviced ***, (NOT SERVICED)

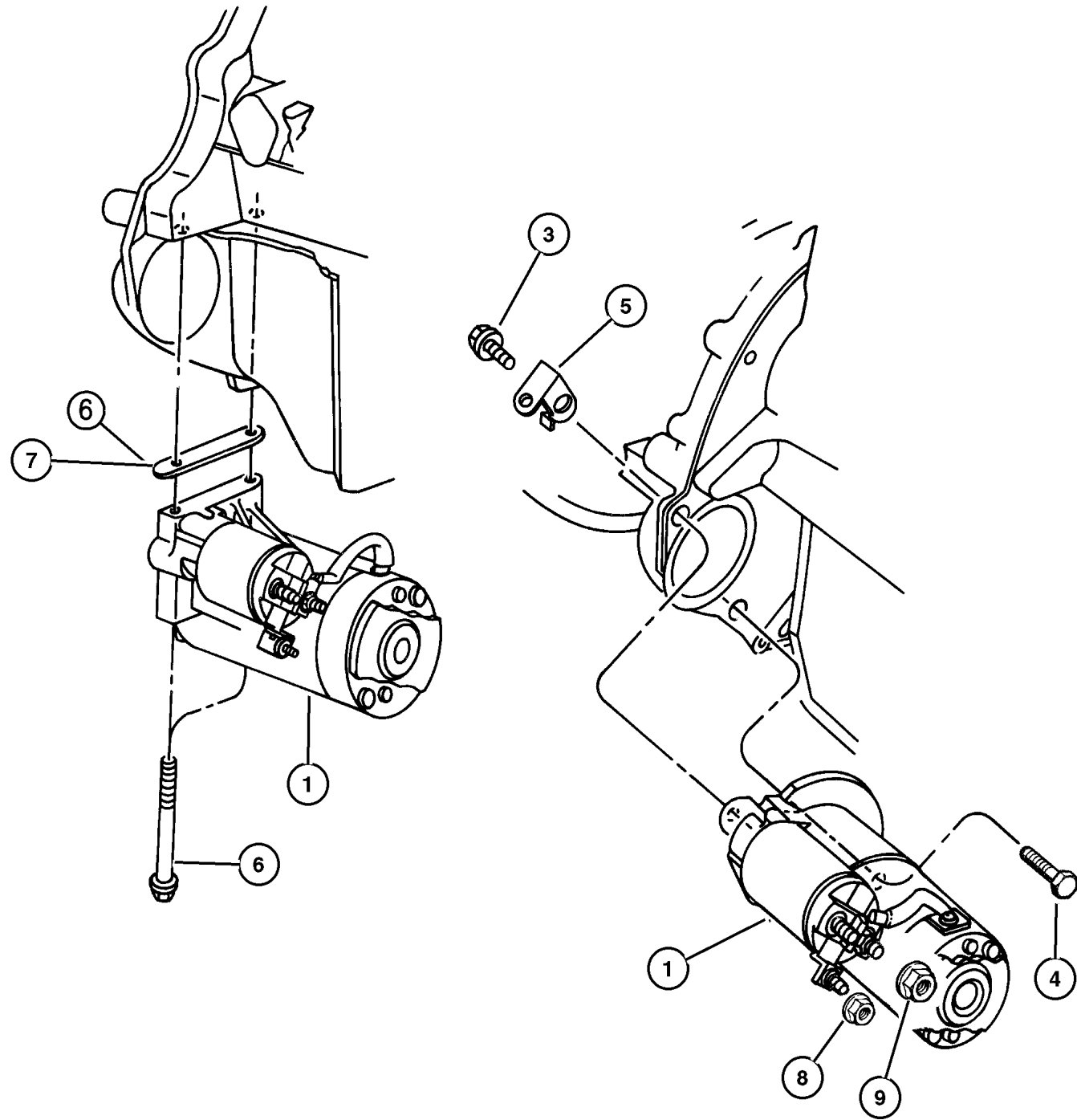
JEEP WRANGLER (TJ)

SERIES	LINE	BODY	ENGINE	TRANSMISSION
L=Low Line	J = Wrangler 4WD U = Wrangler 4WD (RHD)	77 = 93.4 WB	EPE, EP0 = 2.5L Power Tech ERH, ER0 = 4.0L Power Tech	DGG, DGD = 32RH 3 Spd. Auto. DDQ = 5 Spd. Manual DG0 = All Auto. Trans. DBB =All Manual Trans.

AR = Use as required - = Non illustrated part # = New this model year

June 7, 2002

Starter 1998 TJ
Figure 008-105



ITEM	PART NUMBER	QTY	LINE	SERIES	BODY	ENGINE	TRANS	DESCRIPTION
EP0=2.5L Engine								
ER0=4.0L Engine								
1	5604 1014	1				ER0		STARTER
-2	4796 981AC	1				EP0		STARTER PACKAGE
3	6503 699	1				ER0		SCREW AND WASHER, Hex Head, M10x1.5x28
4	J400 6192	1				ER0		BOLT AND WASHER, Hex Head, .375-16x1.75
5	4524 342	4						CLIP
6	6035 607	2				EP0		SCREW, Starter Motor
7	J324 1711	AR				EP0		SHIM, Starter Motor
8								NUT, (M5x0.80) Not Serviced ***, (NOT SERVICED)
9								NUT, (M8x1.25) Not Serviced ***, (NOT SERVICED)

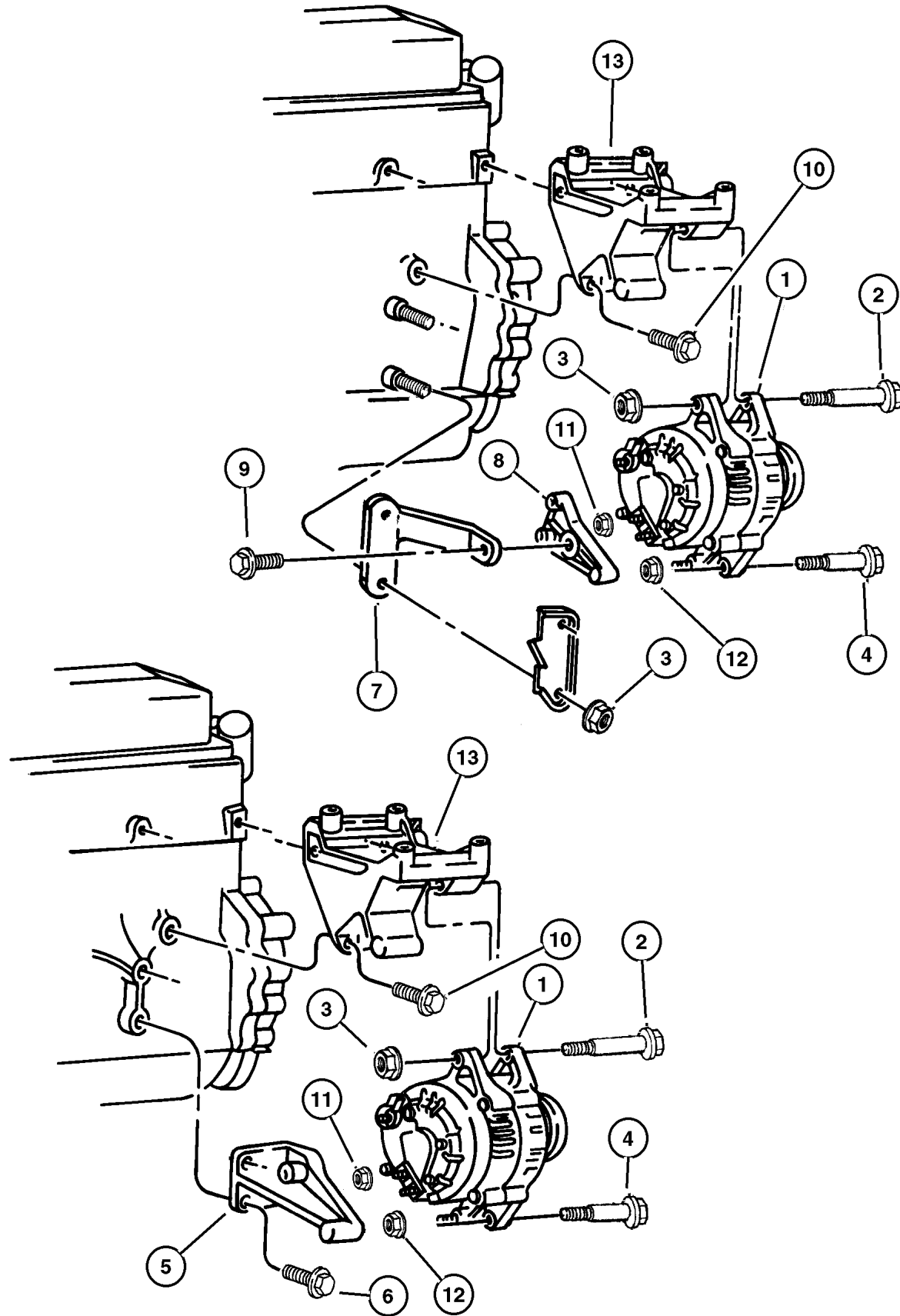
JEEP WRANGLER (TJ)

SERIES	LINE	BODY	ENGINE	TRANSMISSION
L=Low Line	J = Wrangler 4WD U = Wrangler 4WD (RHD)	77 = 93.4 WB	EPE, EP0 = 2.5L Power Tech ERH, ER0 = 4.0L Power Tech	DGG, DGD = 32RH 3 Spd. Auto. DDQ = 5 Spd. Manual DG0 = All Auto. Trans. DBB =All Manual Trans.

AR = Use as required - = Non illustrated part # = New this model year

June 7, 2002

Alternator 1997 TJ
Figure 008-205



ITEM	PART NUMBER	QTY	LINE	SERIES	BODY	ENGINE	TRANS	DESCRIPTION
EP0=2.5L Engine ER0=4.0L Engine ERH=4.0L Power Tech Engine								
1	5600 5685	1				EP0, ER0		ALTERNATOR
2	6502 134	1	U			EP0		BOLT, Hex Flange Head, M10x1.50x110
		1	J			ER0		
		1	U			ER0		
3	6502 135	1	J			EP0		NUT, Hex Flange, M10x1.5
		1	U			ER0		
		1	J			EP0		
4	6502 136	1	J			EP0		BOLT, Hex Flange Head, M10x1.50x55
		1	J			ER0		
5	5300 7606	1	J			ER0		BRACKET, Alternator, Rear Mounting
6	6025 063	3	J			EP0		SCREW AND WASHER, .375-16x1.125
		1	U			ER0		
		1	U			EP0		
		2	J			ER0		
7								BRACKET, Alternator
	5300 7506	1	J			EP0		Rear Mounting
	5300 7606	1	J			ER0		
	5301 0291	1	U			ER0		
	5301 1275	1	U			EP0		
8	5300 7604	1	J			EP0		BRACKET, Alternator, Rear Mounting
9	6502 144	1	J			EP0		SCREW AND WASHER, Hex Head, M10x1.5x25
10								BOLT, Hex Head, .375-16x2.50
	6033 949	2	U			EP0		
		2	J			EP0		
		2	J			ER0		
		2	U			ER0		
11	6502 690	2				EPE, ERH		NUT, Plastic Inserted Self Locking, M4 x 0.70
12	6502 691	3				EPE, ERH		NUT, Hex Flange Lock, M6x1
13	5301 0207	1	J			EP0		BRACKET, Alternator And Compressor Alternator & AC Mounting

JEEP WRANGLER (TJ)

SERIES	LINE	BODY	ENGINE	TRANSMISSION
L=Low Line	J = Wrangler 4WD U = Wrangler 4WD (RHD)	77 = 93.4 WB	EPE, EP0 = 2.5L Power Tech ERH, ER0 = 4.0L Power Tech	DGG, DGD = 32RH 3 Spd. Auto. DDQ = 5 Spd. Manual DG0 = All Auto. Trans. DBB =All Manual Trans.

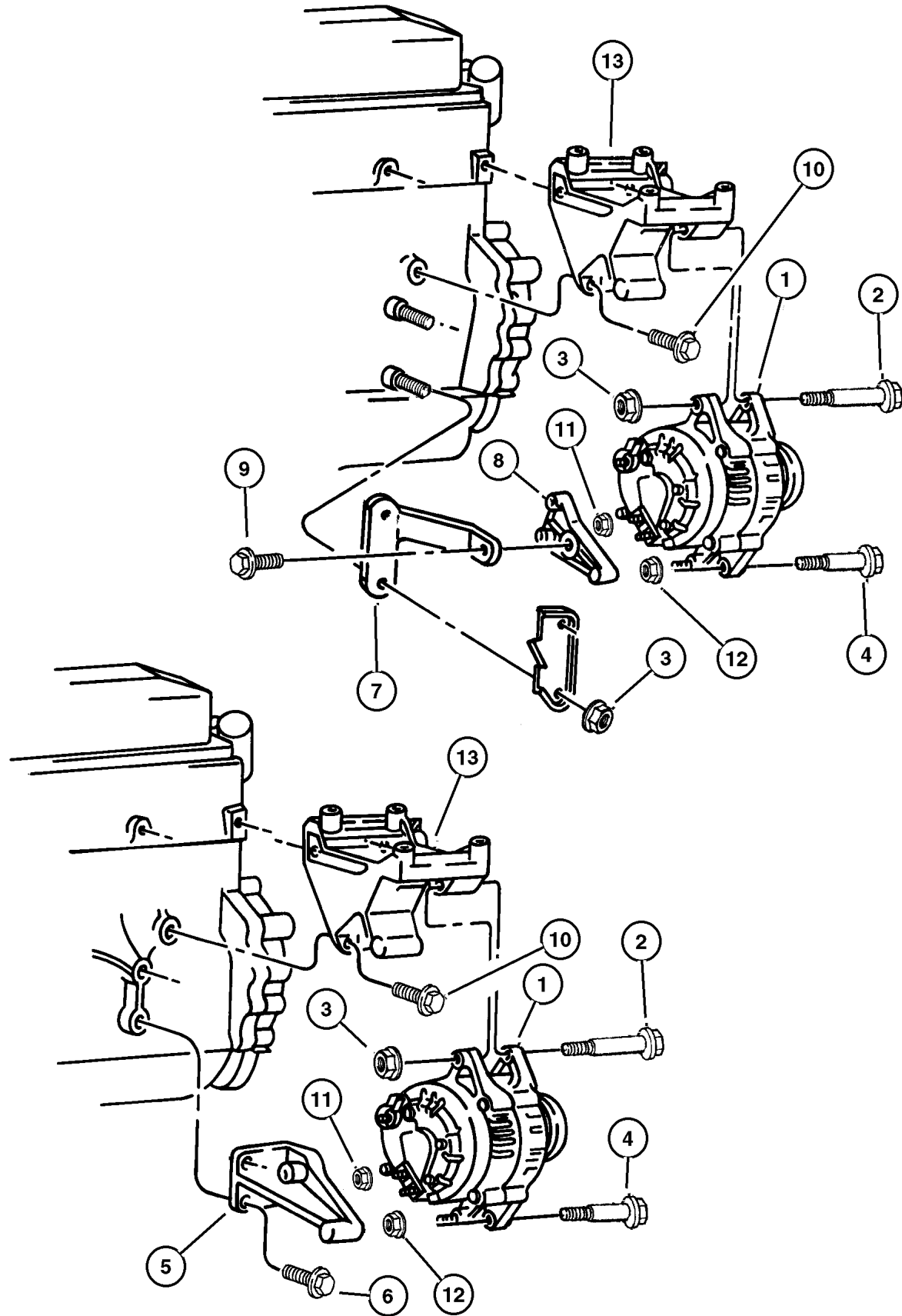
AR = Use as required - = Non illustrated part # = New this model year

June 7, 2002

Alternator 1997 TJ
Figure 008-205

ITEM	PART NUMBER	QTY	LINE	SERIES	BODY	ENGINE	TRANS	DESCRIPTION
------	-------------	-----	------	--------	------	--------	-------	-------------

		1	J			ER0		Alternator & AC Mounting
	5301 0273	1	U			EP0		
		1	U			ER0		



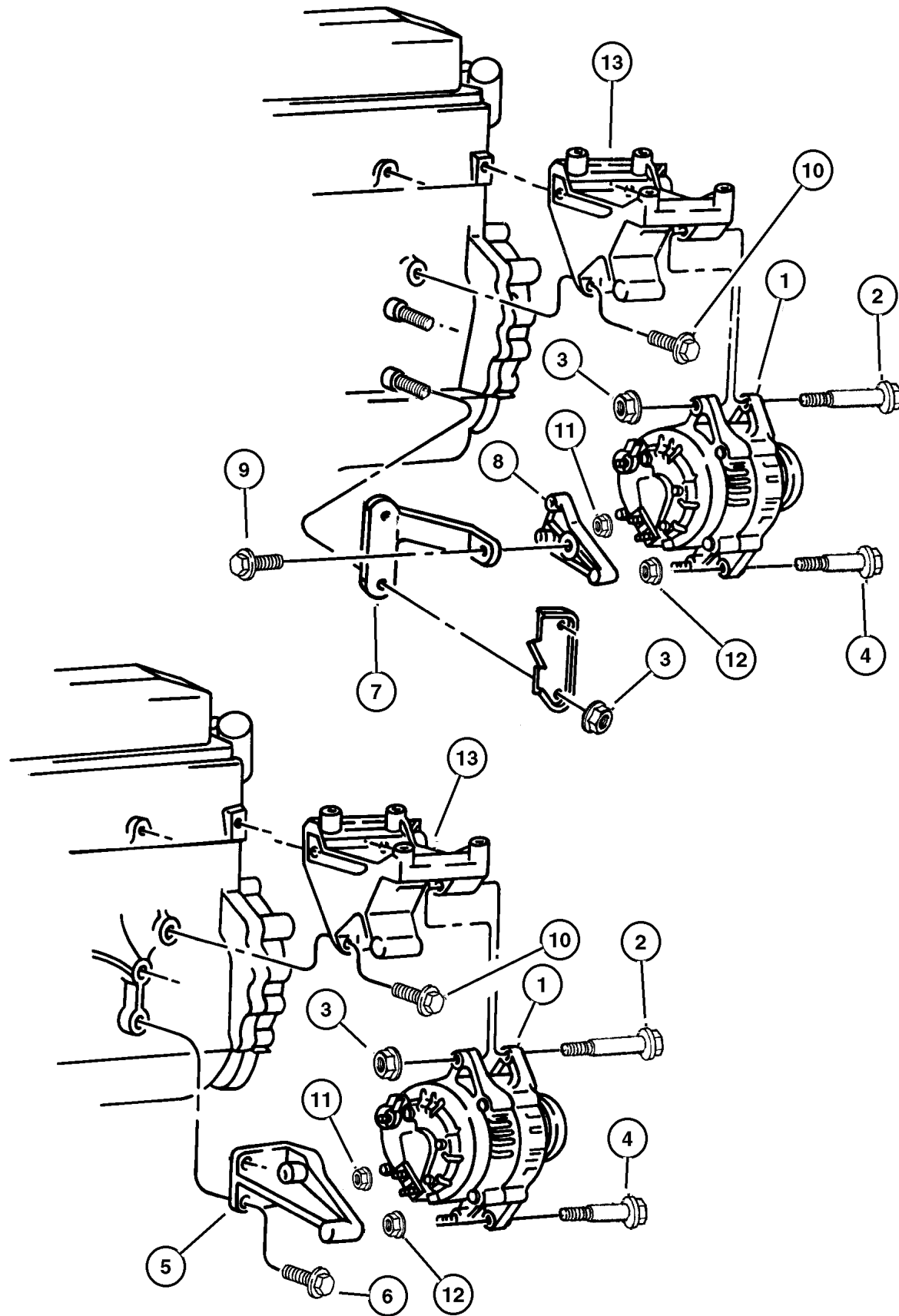
JEEP WRANGLER (TJ)

SERIES	LINE	BODY	ENGINE	TRANSMISSION
L=Low Line	J = Wrangler 4WD U = Wrangler 4WD (RHD)	77 = 93.4 WB	EPE, EP0 = 2.5L Power Tech ERH, ER0 = 4.0L Power Tech	DGG, DGD = 32RH 3 Spd. Auto. DDQ = 5 Spd. Manual DG0 = All Auto. Trans. DBB =All Manual Trans.

AR = Use as required - = Non illustrated part # = New this model year

June 7, 2002

Alternator 1998 TJ
Figure 008-205



ITEM	PART NUMBER	QTY	LINE	SERIES	BODY	ENGINE	TRANS	DESCRIPTION
EP0=2.5L Engine ER0=4.0L Engine ERH=4.0L Power Tech Engine								
1	5600 5685	1				EP0, ER0		ALTERNATOR
2	6502 134	1	J			EP0		BOLT, Hex Flange Head, M10x1.50x110
		1	U			ER0		
3	6502 135	2						NUT, Hex Flange, M10x1.5
4	6502 136	1	J			EP0		BOLT, Hex Flange Head, M10x1.50x55
5	5300 7606	1	J			ER0		BRACKET, Alternator, Rear Mounting
6	6025 063	3	J			EP0		SCREW AND WASHER, .375-16x1.125
		3	J			ER0		
		1	U			ER0		
		1	U			EP0		
7								BRACKET, Alternator Rear Mounting
	5300 7506	1	J			EP0		
	5300 7606	1	J			ER0		
	5301 0291	1	U			ER0		
	5301 1275	1	U			EP0		
8	5300 7604	1	J			EP0		BRACKET, Alternator, Rear Mounting
9	6502 144	1	J			EP0		SCREW AND WASHER, Hex Head, M10x1.5x25
10								BOLT, Hex Head, .375-16x2.50
	6033 949	2	J			EP0		
		2	J			ER0		
		2	U			ER0		
		2	U			EP0		
11	6502 690	2				EP0, ER0		NUT, Plastic Inserted Self Locking, M4 x 0.70
12	6502 691	3				EP0, ER0		NUT, Hex Flange Lock, M6x1
13								BRACKET, Alternator And Compressor Alternator & AC Mounting
	5301 0207	1	J			EP0		
		1	J			ER0		Alternator & AC Mounting

JEEP WRANGLER (TJ)

SERIES
L=Low Line

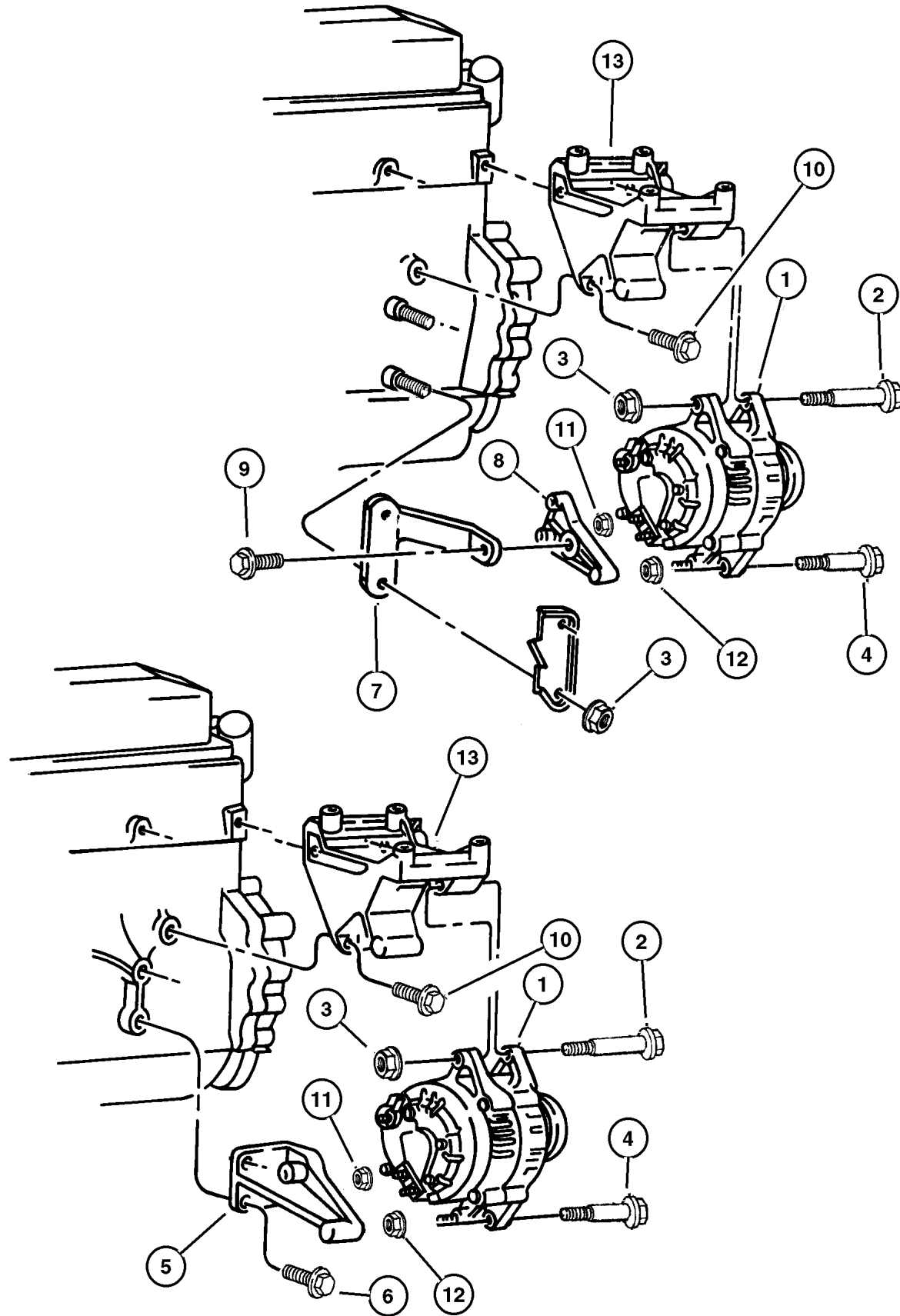
LINE
J = Wrangler 4WD
U = Wrangler 4WD (RHD)

BODY
77 = 93.4 WB

ENGINE
EPE, EP0 = 2.5L Power Tech
ERH, ER0 = 4.0L Power Tech

TRANSMISSION
DGG, DGD = 32RH 3 Spd. Auto.
DDQ = 5 Spd. Manual
DG0 = All Auto. Trans.
DBB = All Manual Trans.

Alternator 1999 TJ
Figure 008-205



ITEM	PART NUMBER	QTY	LINE	SERIES	BODY	ENGINE	TRANS	DESCRIPTION
[BAH] = 81 AMP								
[BAU] = 117 AMP								
[EPO] = 2.5L Engine								
[ERO] = 4.0L Engine								
[ERH] = 4.0L Power Tech Engine								
1								ALTERNATOR
	#56005 684AB	1				EP0, ER0		[BAH]
	#56005 685AC	1				EP0, ER0		[BAU]
2	6502 134	1				EP0, ER0		BOLT, Hex Flange Head, M10x1.50x110
3	6502 135	1				EP0, ER0		NUT, Hex Flange, M10x1.5
4	6502 136	1	J			EP0, ER0		BOLT, Hex Flange Head, M10x1.50x55
5	5300 7606	1	J			ER0		BRACKET, Alternator, Rear Mounting
6	6025 063	3	J			EP0, ER0		SCREW AND WASHER, .375-16x1.125
7	5300 7506	1	J			EP0		BRACKET, Alternator, Rear Mounting
8	5300 7604	1	J			EP0		BRACKET, Alternator, Rear Mounting
9	6502 144	1	J			EP0		SCREW AND WASHER, Hex Head, M10x1.5x25
10	6033 949	2				EP0, ER0		BOLT, Hex Head, .375-16x2.50
11	6502 690	2				EP0, ER0		NUT, Plastic Inserted Self Locking, M4 x 0.70
12	6502 691	3				EP0, ER0		NUT, Hex Flange Lock, M6x1
13								BRACKET, Alternator And Compressor
	#53010 224AB	1	J			EP0, ER0		
	#53013 281AB	1	U			EP0, ER0		

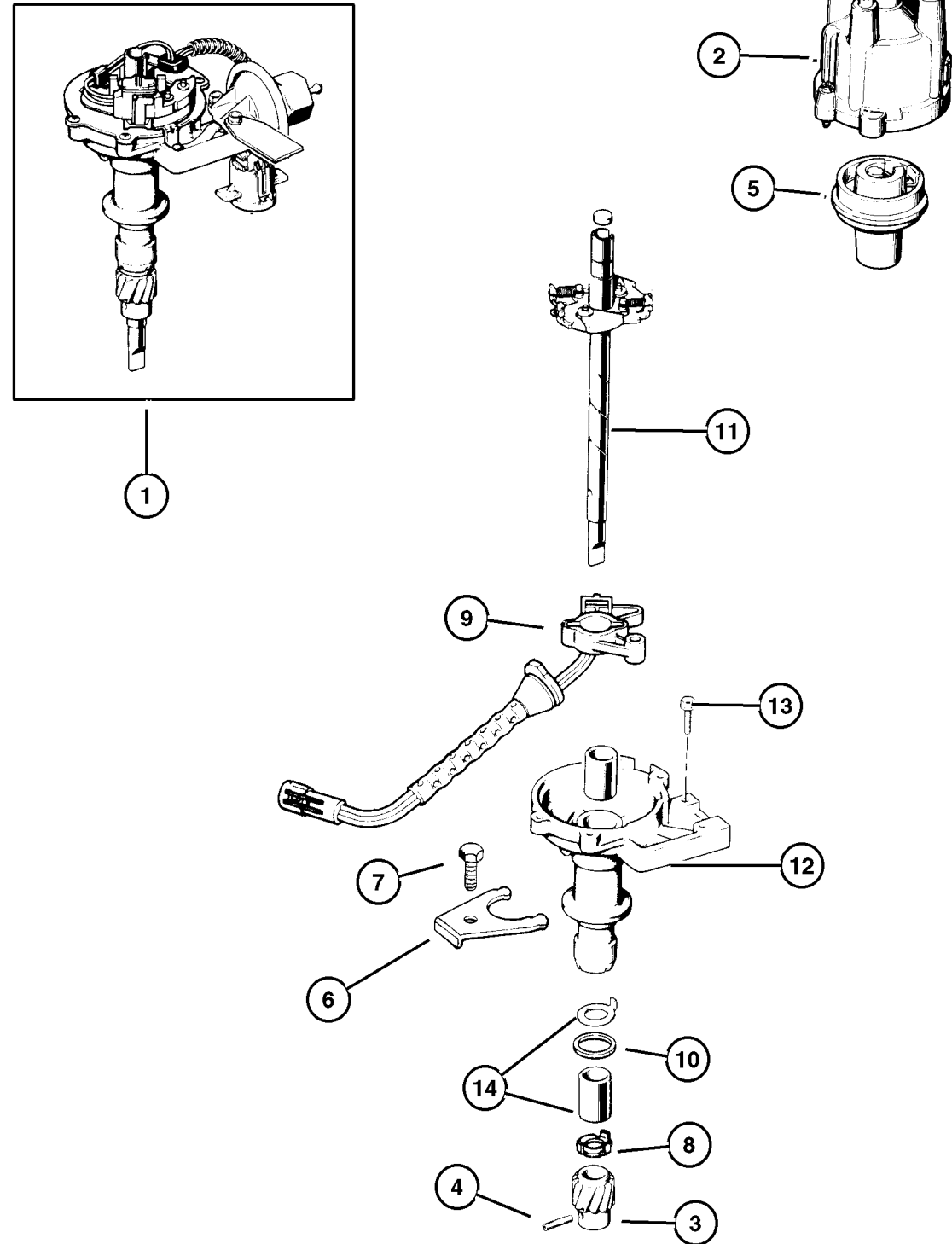
JEEP WRANGLER (TJ)

SERIES	LINE	BODY	ENGINE	TRANSMISSION
L=Low Line	J = Wrangler 4WD U = Wrangler 4WD (RHD)	77 = 93.4 WB	EPE, EP0 = 2.5L Power Tech ERH, ER0 = 4.0L Power Tech	DGG, DGD = 32RH 3 Spd. Auto. DDQ = 5 Spd. Manual DG0 = All Auto. Trans. DBB =All Manual Trans.

AR = Use as required - = Non illustrated part # = New this model year

June 7, 2002

Distributor 2.5L Engine 1997 TJ
Figure 008-305



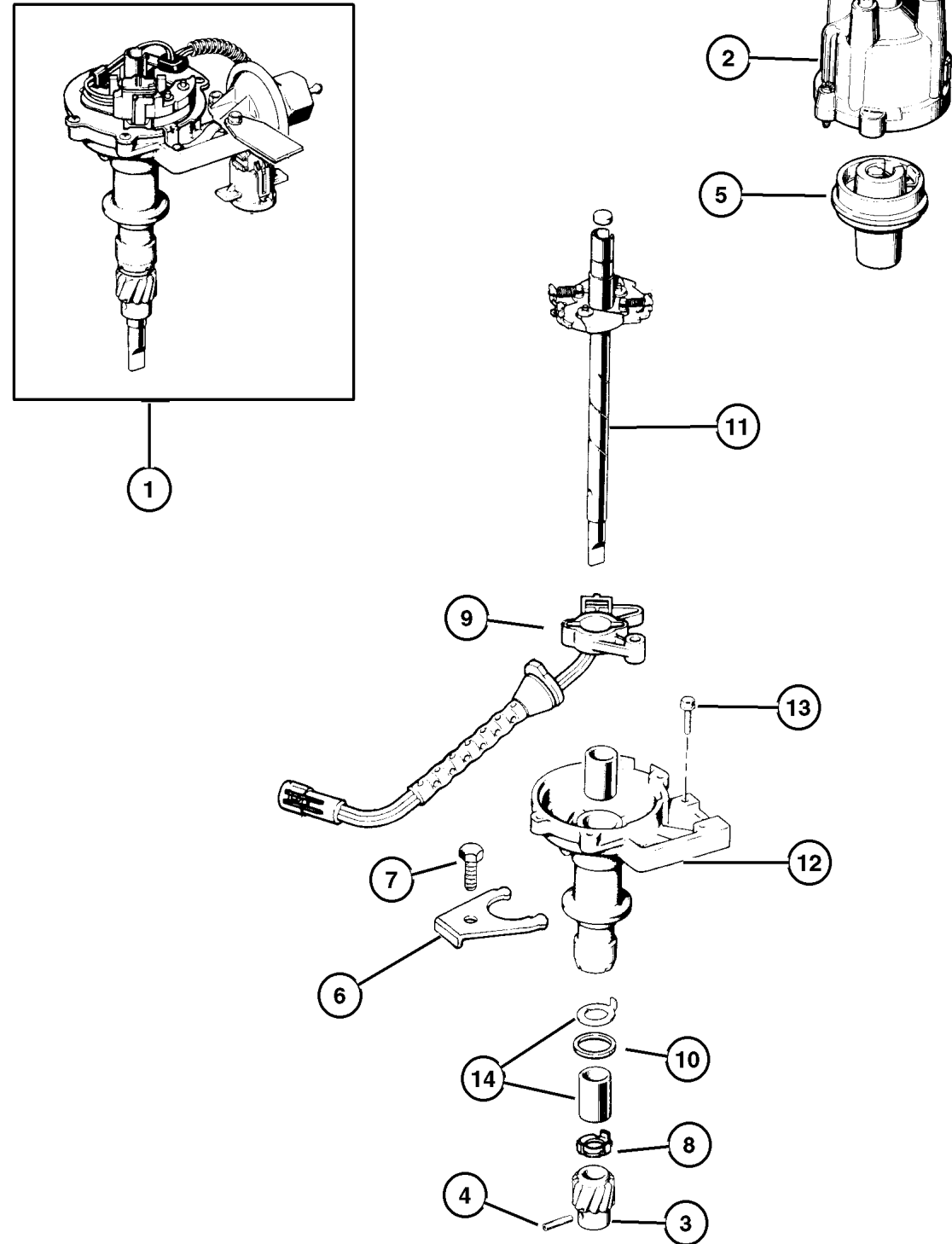
ITEM	PART NUMBER	QTY	LINE	SERIES	BODY	ENGINE	TRANS	DESCRIPTION
EP0=2.5L Engine								
DGD= Automatic Transmission 3 Speed								
DGG= Automatic Transmission 3 Speed								
1	56027 027AB	1				EP0		DISTRIBUTOR, Engine
2	53006 152AB	1				EP0		CAP, Distributor
3	8350 4635	1				EP0		GEAR, Distributor Drive
4	9422 127	1				EP0		ROLL PIN, .19x.75
5	5602 7019	1				EP0		ROTOR, Distributor
6	3300 4242	1				EP0,		CLAMP, Distributor
7						ER0		BOLT, Hex Head, .25-28x1-5/8
	6033 479	1				EP0	DGD	
		1				ER0	DGG	
8						EP0		WASHER, Distributor Gear
	3300 4594	1				EP0		
	5300 9078	1				EP0		Upper
9	5602 7023	1				EP0		SWITCHPLATE, Distributor
10	J318 1288	1				EP0,		GASKET, Distributor
						ER0		
11								SHAFT, Distributor, Service w/Distributor, (NOT SERVICED)
12								HOUSING, Distributor, Service w/ Distributor, (NOT SERVICED)
13								SCREW, (NOT SERVICED)
14								SPACER, Service w/Distributor, (NOT SERVICED)

JEEP WRANGLER (TJ)				
SERIES	LINE	BODY	ENGINE	TRANSMISSION
L=Low Line	J = Wrangler 4WD U = Wrangler 4WD (RHD)	77 = 93.4 WB	EPE, EP0 = 2.5L Power Tech ERH, ER0 = 4.0L Power Tech	DGG, DGD = 32RH 3 Spd. Auto. DDQ = 5 Spd. Manual DG0 = All Auto. Trans. DBB =All Manual Trans.

AR = Use as required - = Non illustrated part # = New this model year

June 7, 2002

Distributor 2.5L Engine 1998 TJ
Figure 008-305



ITEM	PART NUMBER	QTY	LINE	SERIES	BODY	ENGINE	TRANS	DESCRIPTION
EP0=2.5L Engine								
DG0=Automatic Transmission								
DGD= Automatic Transmission 3 Speed								
DGG= Automatic Transmission 3 Speed								
1	5604 1033	1				EP0		DISTRIBUTOR, Engine
2	53006 152AB	1				EP0		CAP, Distributor
3	8350 4635	1				EP0		GEAR, Distributor Drive
4	9422 127	1				EP0		ROLL PIN, .19x.75
5	5602 7019	1				EP0		ROTOR, Distributor
6	3300 4242	1				EP0,		CLAMP, Distributor
						ER0		
7	6033 479	6				EP0	DGD	BOLT, Hex Head, .25-28x1-5/8
8	5300 9078	1				EP0		WASHER, Distributor Gear
9	5604 1030	1				EP0		SWITCHPLATE, Distributor
10	J318 1288	1				EP0,		GASKET, Distributor
						ER0		
11								SHAFT, Distributor, Service w/Distributor, (NOT SERVICED)
12								HOUSING, Distributor, Service w/Distributor, (NOT SERVICED)
13								SCREW, (NOT SERVICED)
14								SPACER, Distributor, Service w/Distributor, (NOT SERVICED)

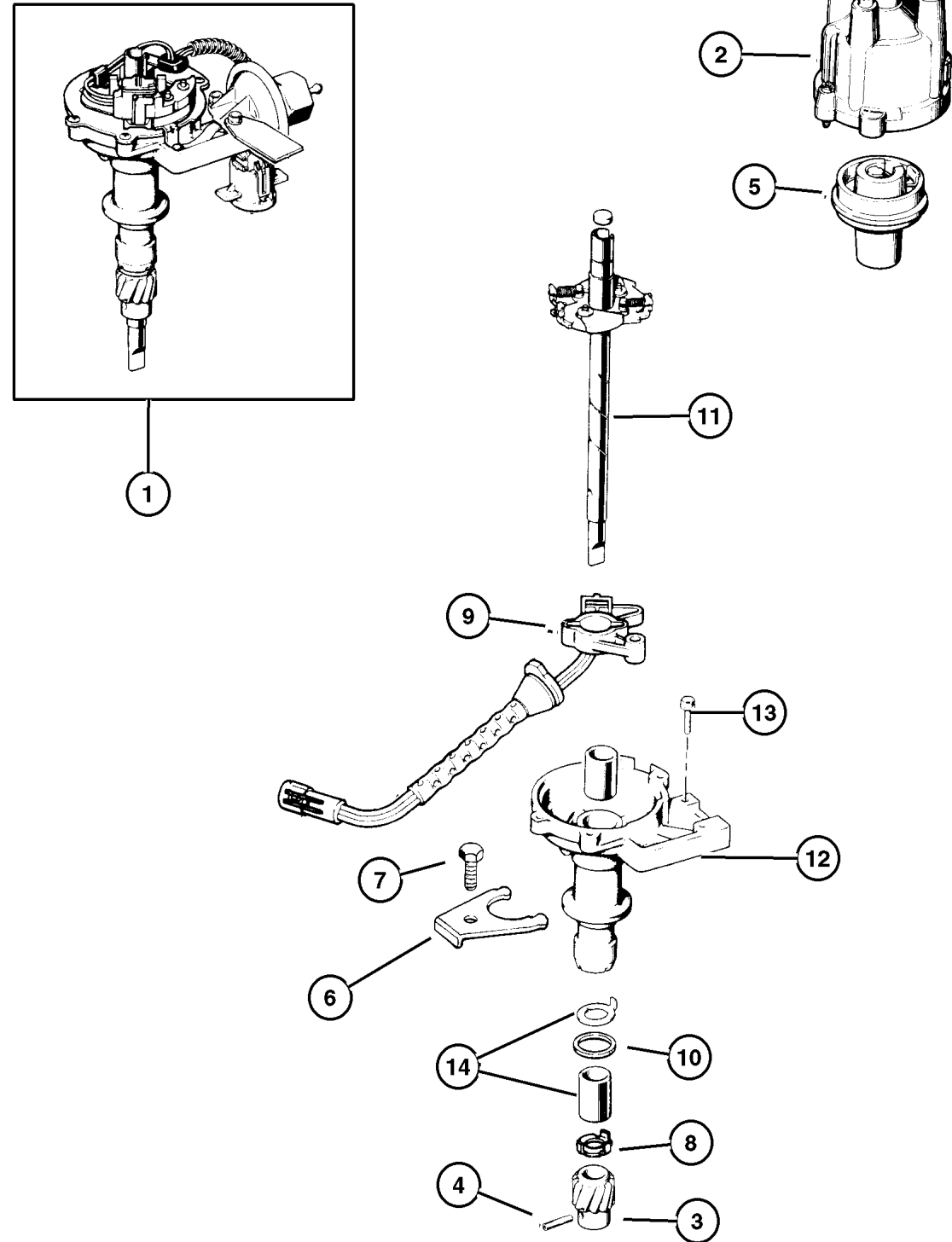
JEEP WRANGLER (TJ)

SERIES	LINE	BODY	ENGINE	TRANSMISSION
L=Low Line	J = Wrangler 4WD U = Wrangler 4WD (RHD)	77 = 93.4 WB	EPE, EP0 = 2.5L Power Tech ERH, ER0 = 4.0L Power Tech	DGG, DGD = 32RH 3 Spd. Auto. DDQ = 5 Spd. Manual DG0 = All Auto. Trans. DBB =All Manual Trans.

AR = Use as required - = Non illustrated part # = New this model year

June 7, 2002

Distributor 2.5L Engine 1999 TJ
Figure 008-305

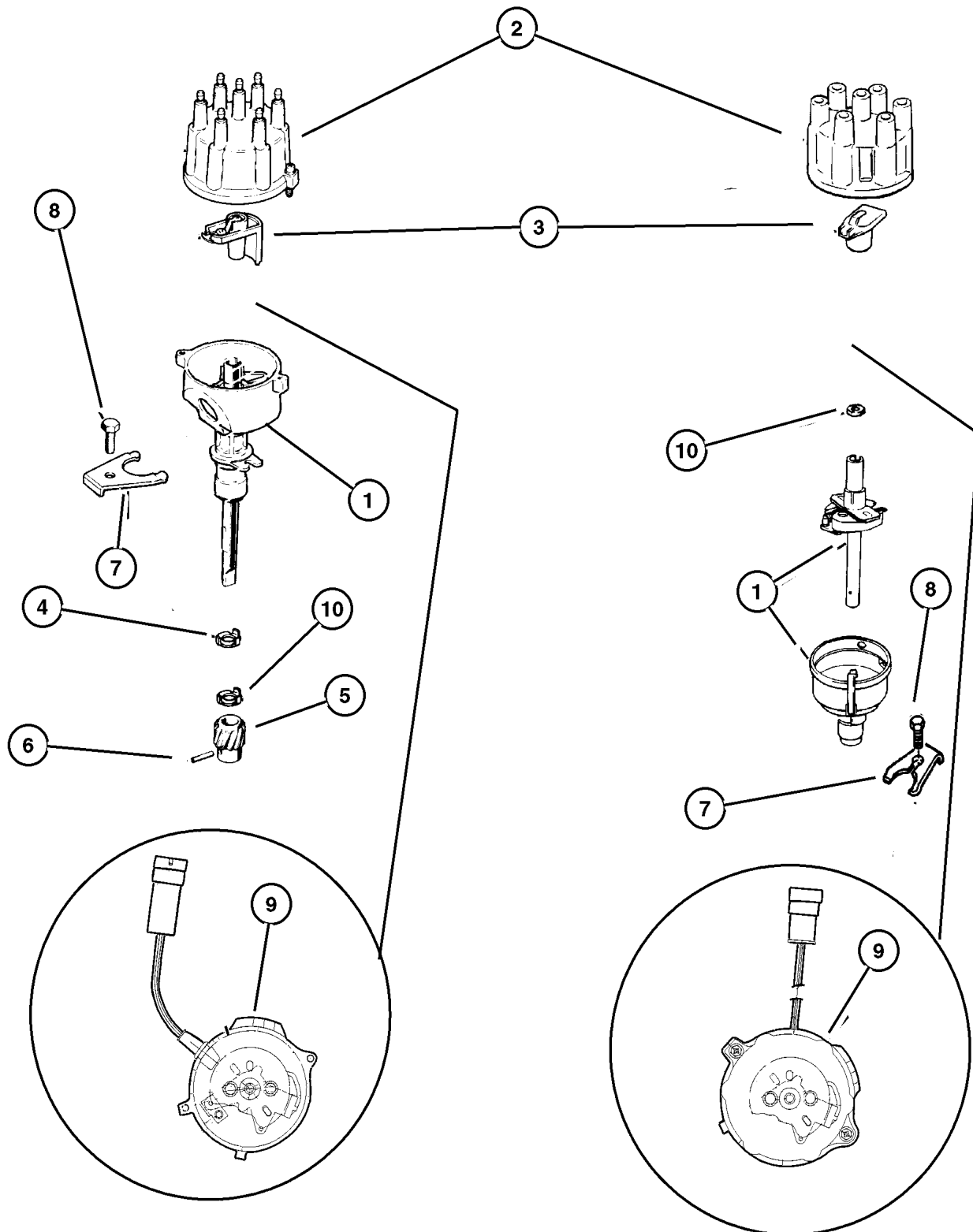


ITEM	PART NUMBER	QTY	LINE	SERIES	BODY	ENGINE	TRANS	DESCRIPTION
EP0=2.5L Engines								
ER0=4.0L Engines								
DGD=3 Speed Automatic Transmissions								
1	5604 1033	1				EP0		DISTRIBUTOR, Engine
2	53006 152AB	1				EP0		CAP, Distributor
3	8350 4635	1				EP0		GEAR, Distributor Drive
4	9422 127	1				EP0		ROLL PIN, .19x.75
5	5602 7019	1				EP0		ROTOR, Distributor
6	3300 4242	1				EP0,		CLAMP, Distributor
7	6033 479	6				EP0	DGD	BOLT, Hex Head, .25-28x1-5/8
8	5300 9078	1				EP0		WASHER, Distributor Gear
9	5604 1030	1				EP0		SWITCHPLATE, Distributor
10	J318 1288	1				EP0,		GASKET, Distributor
						ER0		
11								SHAFT, Distributor, Serviced w/ Distributor, (NOT SERVICED)
12								HOUSING, Distributor, Serviced w/ Distributor, (NOT SERVICED)
13								SCREW, (NOT SERVICED)
14								SPACER, Distributor, Serviced w/ Distributor, (NOT SERVICED)

JEEP WRANGLER (TJ)				
SERIES	LINE	BODY	ENGINE	TRANSMISSION
L=Low Line	J = Wrangler 4WD U = Wrangler 4WD (RHD)	77 = 93.4 WB	EPE, EP0 = 2.5L Power Tech ERH, ER0 = 4.0L Power Tech	DGG, DGD = 32RH 3 Spd. Auto. DDQ = 5 Spd. Manual DGO = All Auto. Trans. DBB =All Manual Trans.

Distributor 4.0L Engine 1997 TJ 1998 TJ
Figure 008-310

ITEM	PART NUMBER	QTY	LINE	SERIES	BODY	ENGINE	TRANS	DESCRIPTION
EP0=2.5L Engine								
ER0=4.0L Engine								
DGG= Automatic Transmission 3 Speed								
1								DISTRIBUTOR, Engine
	5602 7028	1				ER0		1997 TJ
	5604 1034	1				ER0		1998 TJ
2	5602 6876	1				ER0		CAP, Distributor
3	5602 7019	1				ER0		ROTOR, Distributor
4								WASHER, Distributor Gear
	3300 4594	1				ER0		1998 TJ
	5300 9078	1				ER0		Thrust, 1997 TJ
5	8350 4635	1				ER0		GEAR, Distributor Drive
6	9422 127	1				ER0		ROLL PIN, .19x.75
7	3300 4242	1				EP0, ER0		CLAMP, Distributor
8								BOLT, Hex Head, .25-28x1-5/8
	6033 479	1				ER0	DGG	1997 TJ
		6				ER0	DGG	1998 TJ
9								SWITCHPLATE, Distributor
	5602 7023	1				ER0		1997 TJ
	5604 1030	1				ER0		1998 TJ
10								WASHER, Distributor Gear
	3300 4594	1				ER0		Thrust, 1997 TJ
		1				ER0		1998 TJ



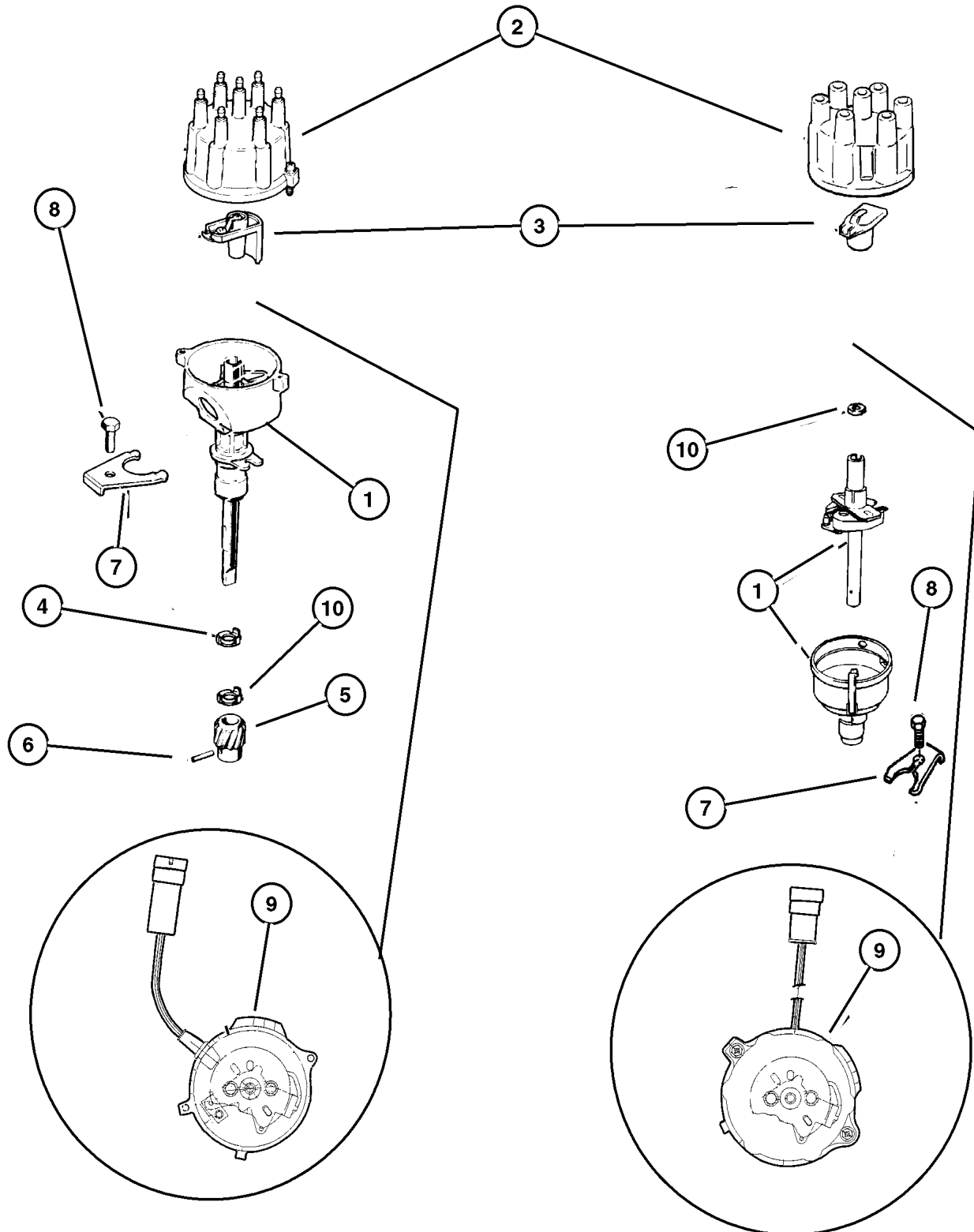
JEEP WRANGLER (TJ)
 SERIES LINE BODY ENGINE TRANSMISSION
 L=Low Line J = Wrangler 4WD 77 = 93.4 WB EPE, EP0 = 2.5L Power Tech DGG, DGD = 32RH 3 Spd. Auto.
 U = Wrangler 4WD (RHD) ERH, ER0 = 4.0L Power Tech DDQ = 5 Spd. Manual
 DG0 = All Auto. Trans.
 DBB =All Manual Trans.

AR = Use as required - = Non illustrated part # = New this model year

June 7, 2002

Distributor 4.0L Engine 1999 TJ
Figure 008-310

ITEM	PART NUMBER	QTY	LINE	SERIES	BODY	ENGINE	TRANS	DESCRIPTION
EP0=2.5L Engines								
ER0=4.0L Engines								
DGG=3 Speed Automatic Transmissions								
1	5604 1034	1				ER0		DISTRIBUTOR, Engine
2	5602 6876	1				ER0		CAP, Distributor
3	5602 7019	1				ER0		ROTOR, Distributor
4	3300 4594	1				ER0		WASHER, Distributor Gear
5	8350 4635	1				ER0		GEAR, Distributor Drive
6	9422 127	1				ER0		ROLL PIN, .19x.75
7	3300 4242	1				EP0, ER0		CLAMP, Distributor
8	6033 479	6				ER0	DGG	BOLT, Hex Head, .25-28x1-5/8
9	5604 1030	1				ER0		SWITCHPLATE, Distributor
10	3300 4594	1				ER0		WASHER, Distributor Gear



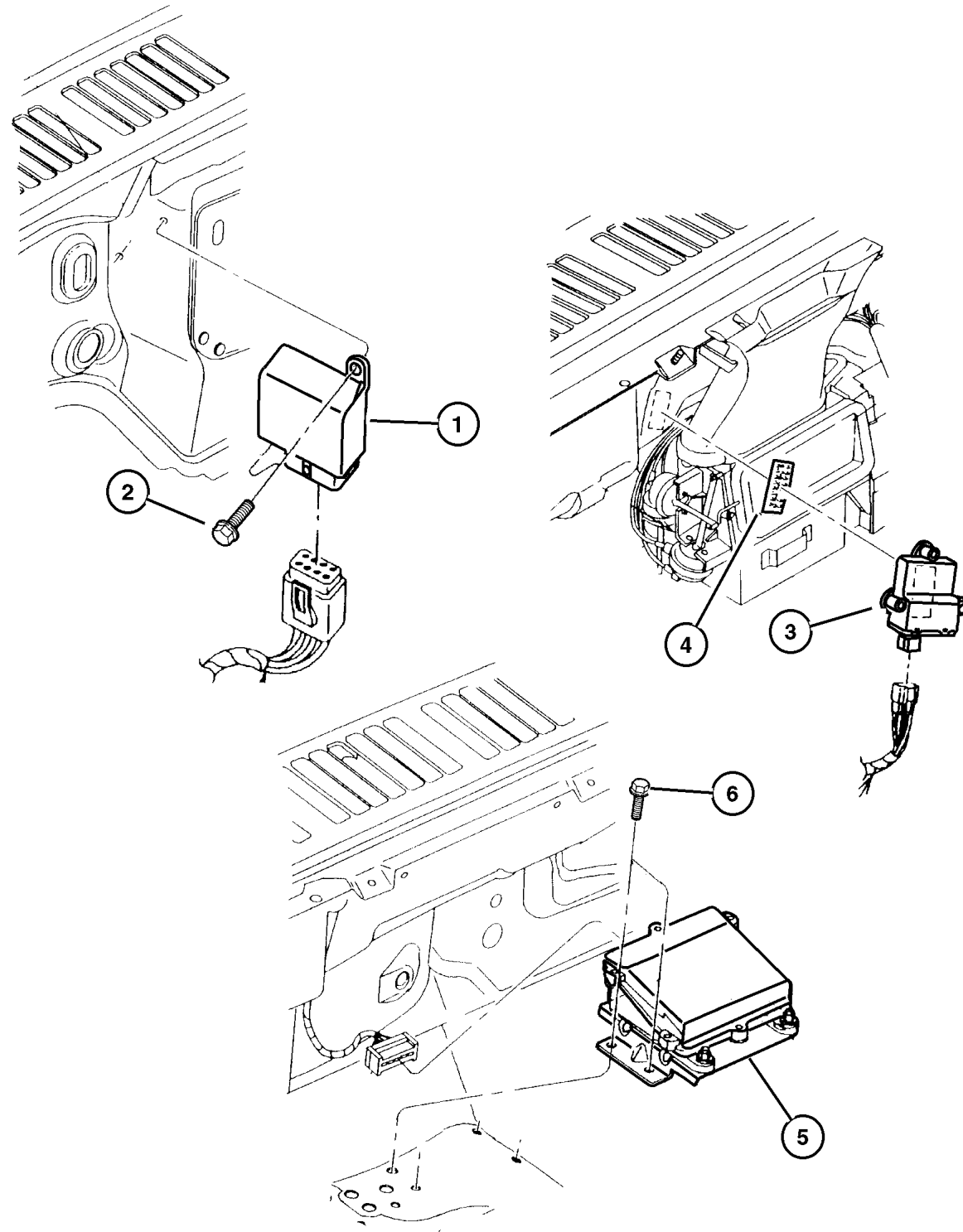
JEEP WRANGLER (TJ)

SERIES	LINE	BODY	ENGINE	TRANSMISSION
L=Low Line	J = Wrangler 4WD U = Wrangler 4WD (RHD)	77 = 93.4 WB	EPE, EP0 = 2.5L Power Tech ERH, ER0 = 4.0L Power Tech	DGG, DGD = 32RH 3 Spd. Auto. DDQ = 5 Spd. Manual DG0 = All Auto. Trans. DBB =All Manual Trans.

AR = Use as required - = Non illustrated part # = New this model year

June 7, 2002

Modules 1997 TJ
Figure 008-405



ITEM	PART NUMBER	QTY	LINE	SERIES	BODY	ENGINE	TRANS	DESCRIPTION
1	5600 4262	1						MODULE, Daytime Running Lamp
		1	J		77			Daytime Running Lamp
		1	U		77			Daytime Running Lamp
2								SCREW, 250-14x.625 (Not Serviced) ***, (NOT SERVICED)
3	4671 346	1						MODULE, Security Alarm
4								VELCRO PLATE, Trim Panel, (serviced In Assembly) , (NOT SERVICED)
5	56010 105AB	1						MODULE, Air Bag Control
6								SCREW, M6.3x1.81x20.00 , (NOT SERVICED)

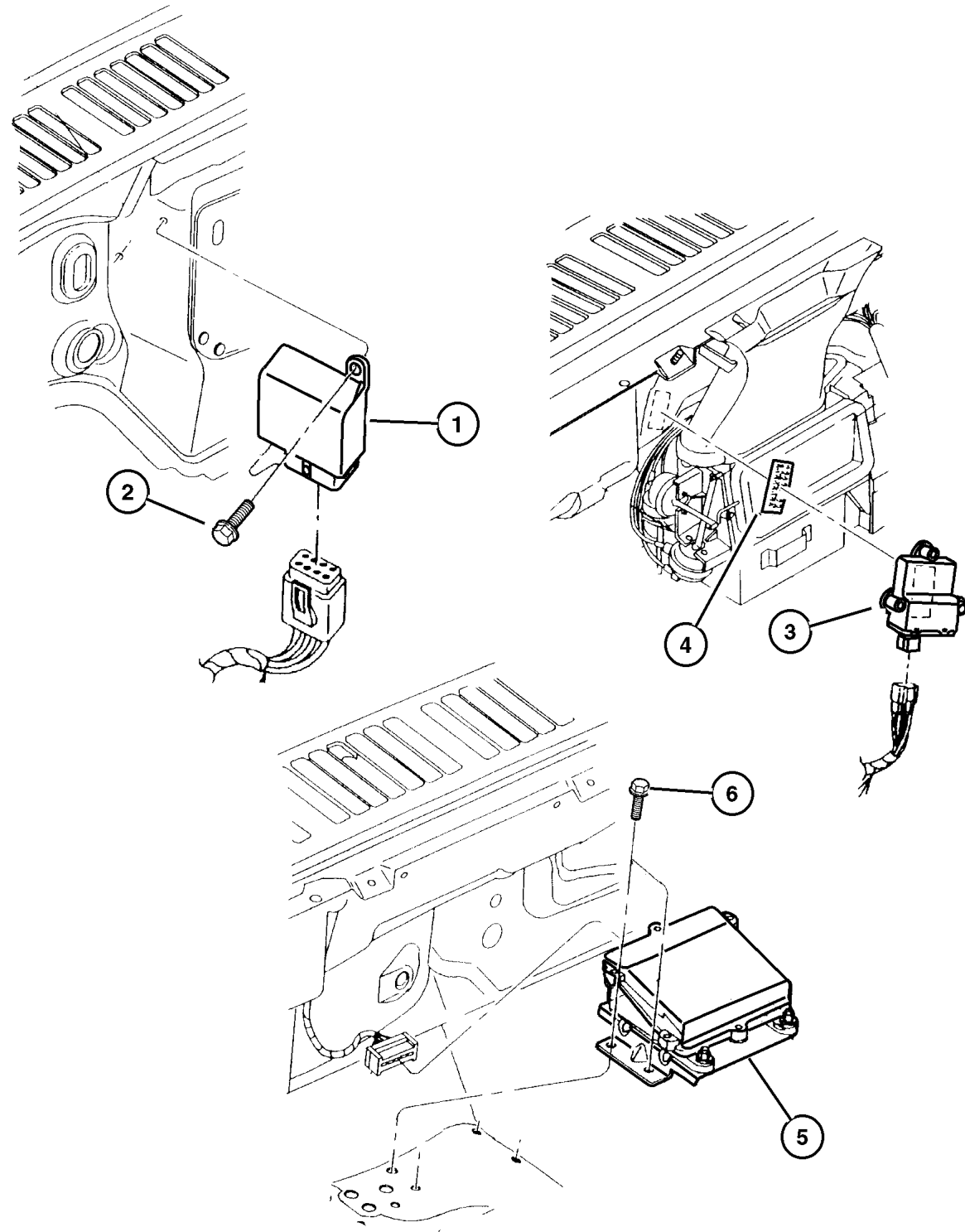
JEEP WRANGLER (TJ)

SERIES	LINE	BODY	ENGINE	TRANSMISSION
L=Low Line	J = Wrangler 4WD U = Wrangler 4WD (RHD)	77 = 93.4 WB	EPE, EP0 = 2.5L Power Tech ERH, ER0 = 4.0L Power Tech	DGG, DGD = 32RH 3 Spd. Auto. DDQ = 5 Spd. Manual DG0 = All Auto. Trans. DBB =All Manual Trans.

AR = Use as required - = Non illustrated part # = New this model year

June 7, 2002

Modules 1998 TJ
Figure 008-405



ITEM	PART NUMBER	QTY	LINE	SERIES	BODY	ENGINE	TRANS	DESCRIPTION
1	5600 4262	1						MODULE, Daytime Running Lamp,
2								Daytime Running Lamp
3	56009 712AC	1						SCREW, 250-14x.625 (Not Serviced) ***,
4								(NOT SERVICED)
5	56010 105AD	1						MODULE, Security Alarm
6								VELCRO PLATE, Trim Panel, (serviced In
								Assembly) , (NOT SERVICED)
								MODULE, Air Bag Control
								SCREW, M6.3x1.81x20.00 , (NOT
								SERVICED)

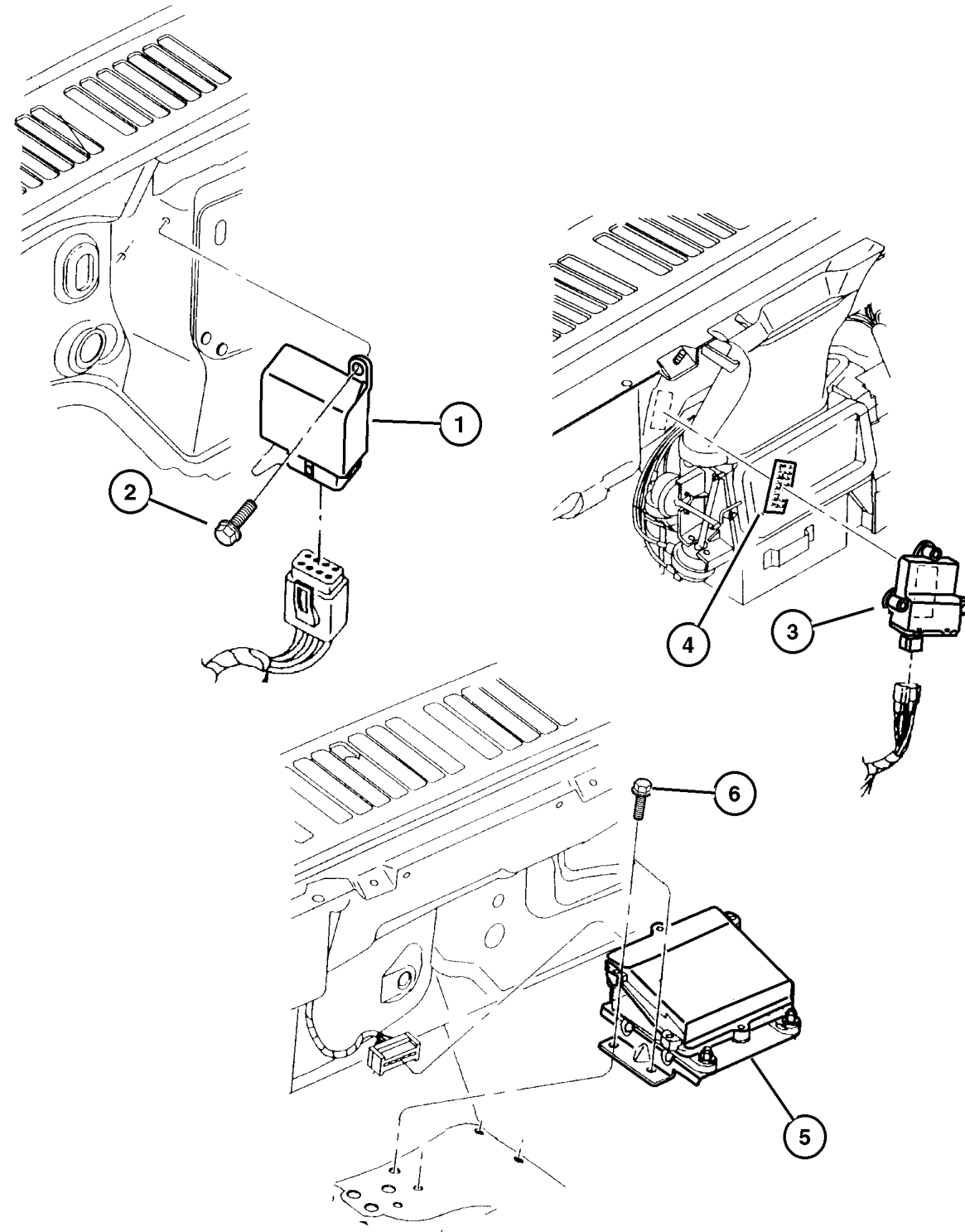
JEEP WRANGLER (TJ)

SERIES	LINE	BODY	ENGINE	TRANSMISSION
L=Low Line	J = Wrangler 4WD U = Wrangler 4WD (RHD)	77 = 93.4 WB	EPE, EP0 = 2.5L Power Tech ERH, ER0 = 4.0L Power Tech	DGG, DGD = 32RH 3 Spd. Auto. DDQ = 5 Spd. Manual DG0 = All Auto. Trans. DBB =All Manual Trans.

AR = Use as required - = Non illustrated part # = New this model year

June 7, 2002

Modules 1999 TJ
Figure 008-405



ITEM	PART NUMBER	QTY	LINE	SERIES	BODY	ENGINE	TRANS	DESCRIPTION
1	5600 4262	1						MODULE, Daytime Running Lamp,
2								Daytime Running Lamp
3	56009 712AC	1						SCREW, 250-14x.625 (Not Serviced) ***,
4								(NOT SERVICED)
5	56010 105AD	1						MODULE, Security Alarm
6								VELCRO PLATE, Trim Panel, (serviced In
								Assembly) , (NOT SERVICED)
								MODULE, Air Bag Control
								SCREW, M6.3x1.81x20.00 , (NOT
								SERVICED)

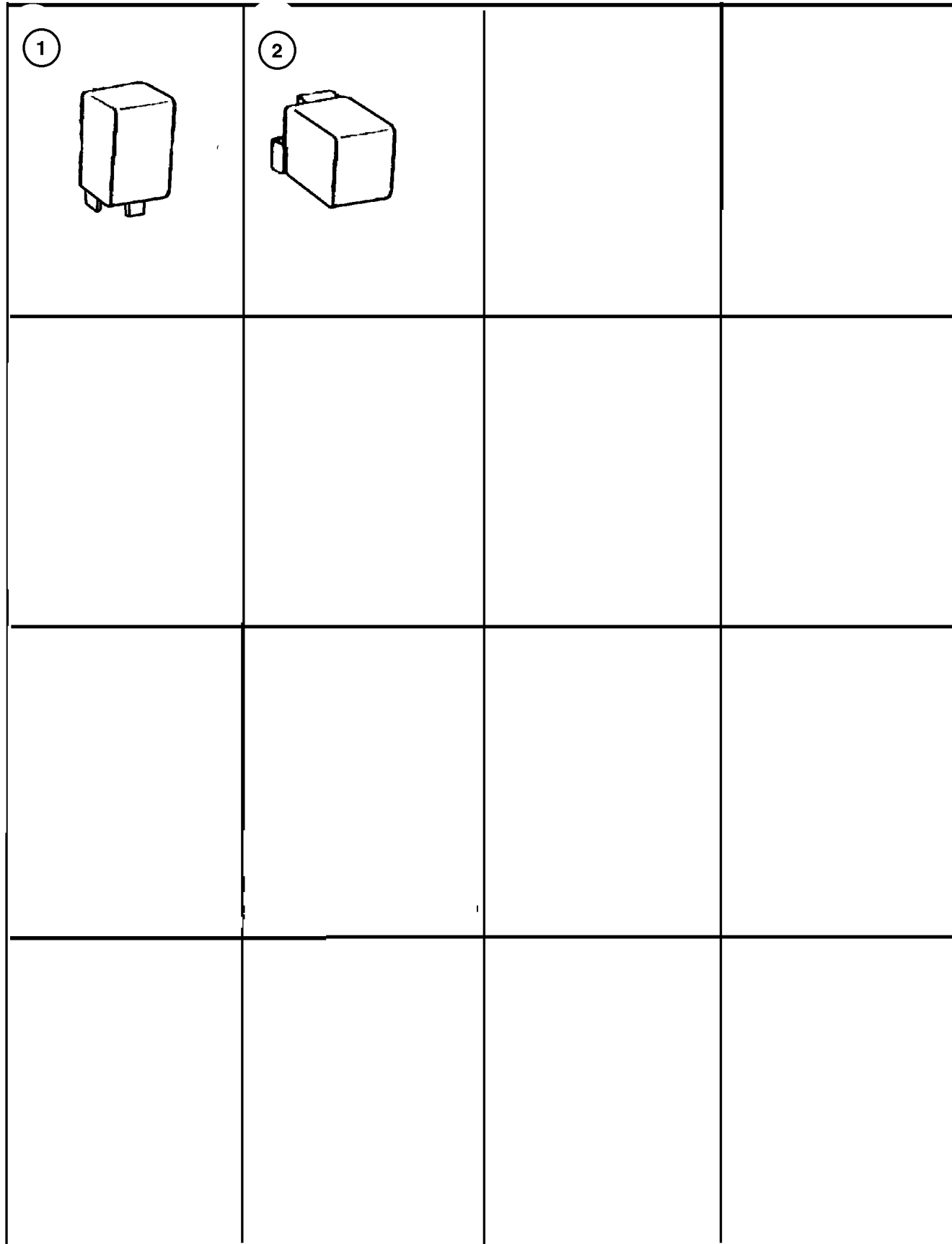
JEEP WRANGLER (TJ)

SERIES	LINE	BODY	ENGINE	TRANSMISSION
L=Low Line	J = Wrangler 4WD U = Wrangler 4WD (RHD)	77 = 93.4 WB	EPE, EP0 = 2.5L Power Tech ERH, ER0 = 4.0L Power Tech	DGG, DGD = 32RH 3 Spd. Auto. DDQ = 5 Spd. Manual DG0 = All Auto. Trans. DBB =All Manual Trans.

AR = Use as required - = Non illustrated part # = New this model year

June 7, 2002

Relays
Figure 008-505



ITEM	PART NUMBER	QTY	LINE	SERIES	BODY	ENGINE	TRANS	DESCRIPTION
1	4671 168	1	U		77			RELAY, Mini
		1						1997 TJ
		AR						ABS System Relay
		1						Fuel Pump Relay, 1997 TJ
		1						Horn Relay, 1997 TJ, 1999 TJ
		1						Micro-Plug In 5T-Res (A/C Clutch)
2	4608 650	1						RELAY, Electrical
								(NOT REQUIRED), 1999 TJ
								1997 TJ, 1998 TJ
-3	5600 9057	1	U		77			RELAY
		1	J		77			1997 TJ
								Rear Fog Lamp & Smart (EXPORT), 1997 TJ
		1						Mandatory (EXPORT), 1998 TJ, Mandatory (EXPORT)
		1						1999 TJ
-4	4638 094	1						RELAY PACKAGE, Electrical
		1	J					Electric Heated Rear Window
		1	U					1998 TJ
								1998 TJ

JEEP WRANGLER (TJ)

SERIES	LINE	BODY	ENGINE	TRANSMISSION
L=Low Line	J = Wrangler 4WD U = Wrangler 4WD (RHD)	77 = 93.4 WB	EPE, EP0 = 2.5L Power Tech ERH, ER0 = 4.0L Power Tech	DGG, DGD = 32RH 3 Spd. Auto. DDQ = 5 Spd. Manual DG0 = All Auto. Trans. DBB =All Manual Trans.

Sensors 1997 TJ
Figure 008-605

ITEM	PART NUMBER	QTY	LINE	SERIES	BODY	ENGINE	TRANS	DESCRIPTION
EP0=2.5L Engine ER0=4.0L Engine DG0=Automatic Transmission NOTE: Sales Code [XCY] = Upgrade OB2 Connectors								
-1	5602 7872	1				EP0, ER0		SENSOR, Air Temperature
2	5602 7873	1				EP0, ER0		SENSOR, Coolant Temperature With S/C [XCY]
	3300 4281	1				EP0, ER0		Without S/C [XCY]
3	56027 865AB	1				EP0		SENSOR, Crankshaft Position
		1				ER0	DBB	
4	56027 869AC	1				ER0	DG0	SENSOR, Oxygen
	5602 7916	1				ER0		Before Catalyst
	5602 7917	1				EP0		Before Catalyst
	5604 1108	1						After Catalyst
5	5602 9405	1				EP0, ER0		SENSOR, Map, See NOTE: With Upgraded OBD-II Connectors S/C [XCY]
	5602 8303	1				EP0, ER0		Without Upgraded OBD-II Connectors without S/C [XCY]
6	5602 8183	1						SENSOR, Vehicle Speed
-7	5602 8182	1						O RING
8	4874 371	1				EP0 ER0		SENSOR, Throttle Position Package Throttle Position Package Throttle Position
9	5603 1003	1				EP0, ER0		SENDING UNIT, Oil Pressure
10								SENSOR, Anti-Lock Brakes
	5602 7727	2	J					Front
	5602 7728	1	J					Right
	5602 7729	1	J					Left
-11	3420 2536	2				EP0	DGD	STUD, .312-18x2.26, Crank Sensor Mounting

JEEP WRANGLER (TJ)

SERIES
L=Low Line

LINE
J = Wrangler 4WD
U = Wrangler 4WD (RHD)

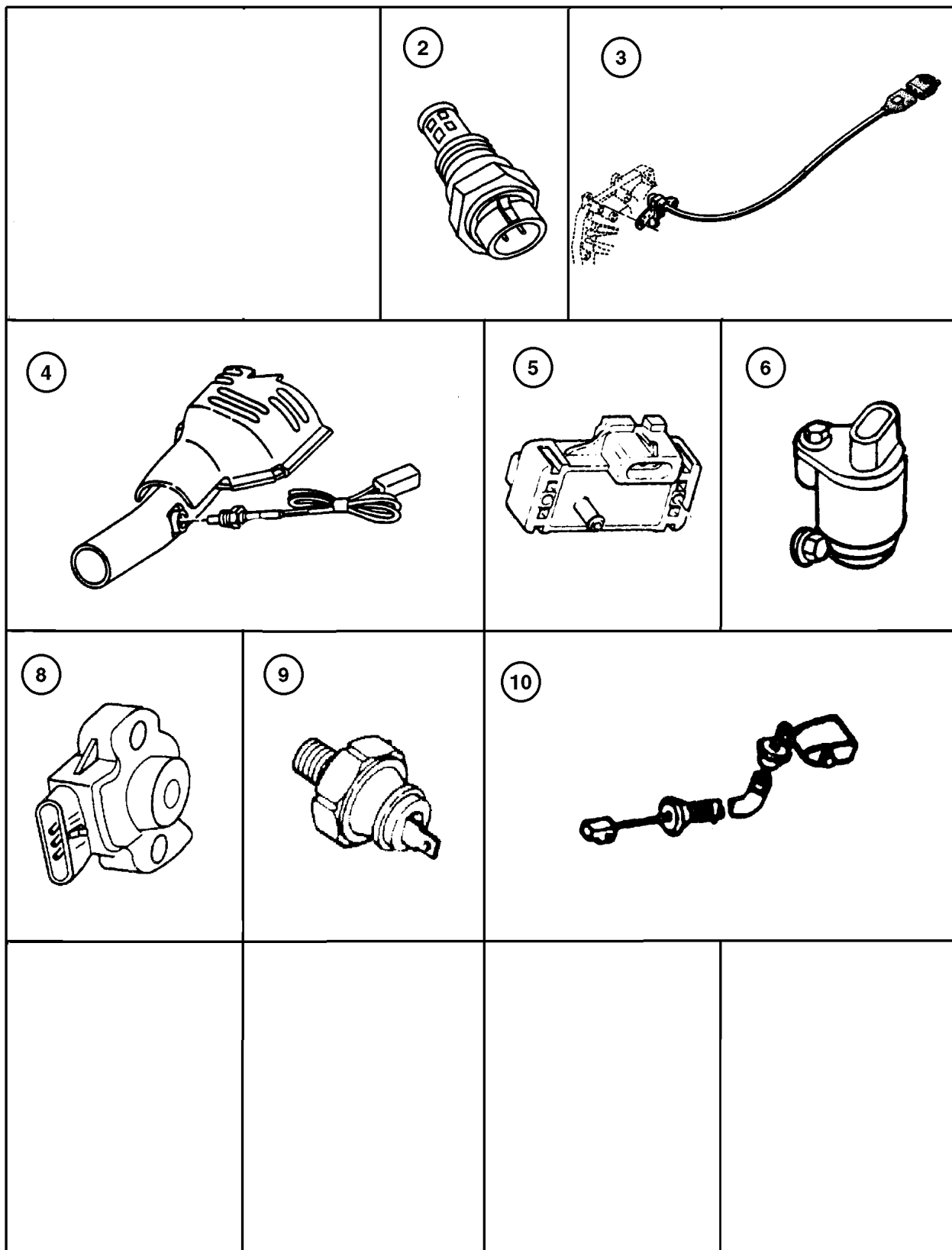
BODY
77 = 93.4 WB

ENGINE
EPE, EP0 = 2.5L Power Tech
ERH, ER0 = 4.0L Power Tech

TRANSMISSION
DGG, DGD = 32RH 3 Spd. Auto.
DDQ = 5 Spd. Manual
DG0 = All Auto. Trans.
DBB =All Manual Trans.

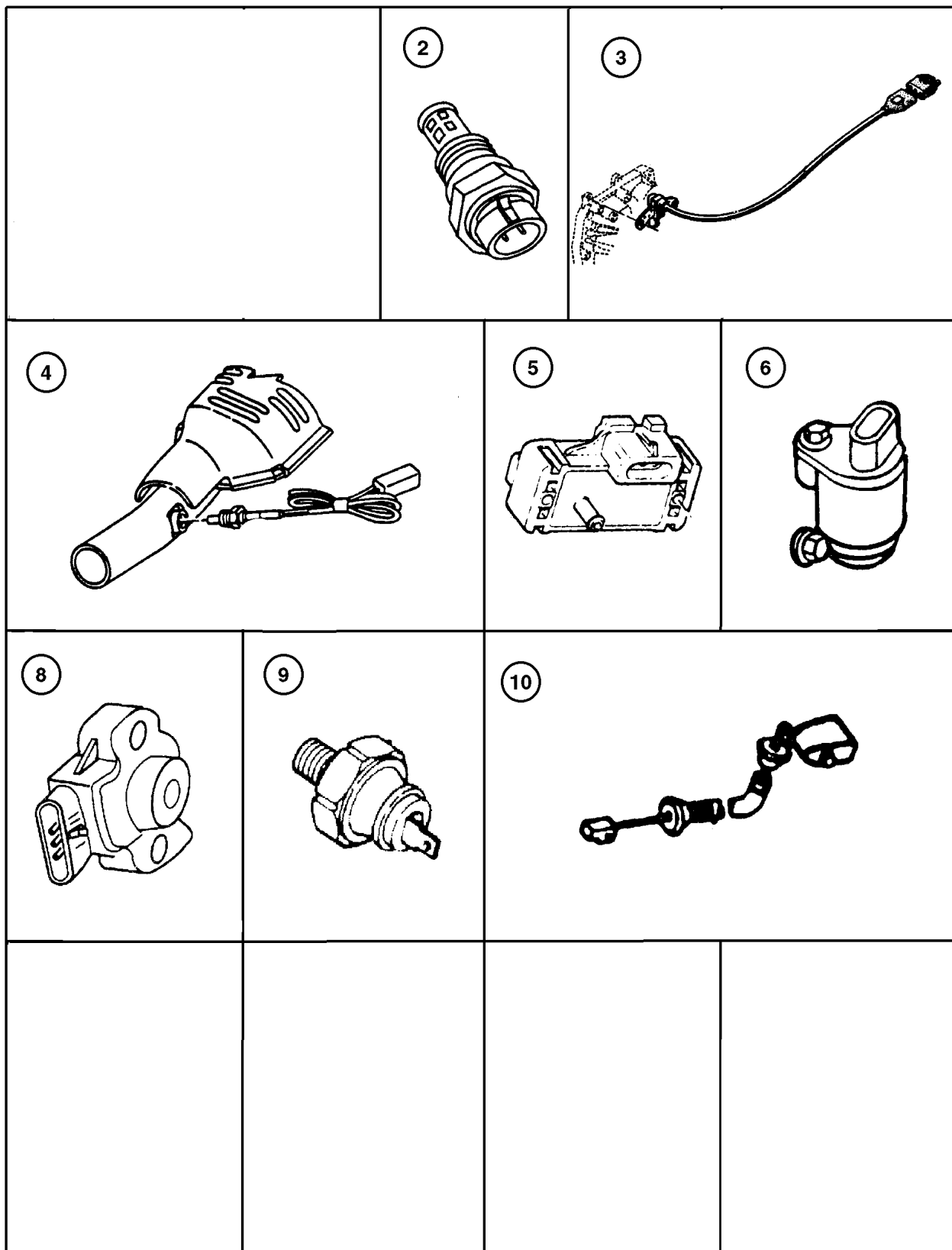
AR = Use as required - = Non illustrated part # = New this model year

June 7, 2002



Sensors 1998 TJ
Figure 008-605

ITEM	PART NUMBER	QTY	LINE	SERIES	BODY	ENGINE	TRANS	DESCRIPTION
EP0=2.5L Engine ER0=4.0L Engine DG0=Automatic Transmission DBB= Manual Transmission								
-1	5602 7872	1				EP0,		SENSOR, Air Temperature
2	5602 7873	1				EP0, ER0		SENSOR, Coolant Temperature
3								SENSOR, Crankshaft Position
	56027 865AB	1				EP0		
		1				ER0	DBB	W/Manual Transmission
	56027 869AC	1				ER0	DG0	W/Automatic Transmission
4								SENSOR, Oxygen
	5604 1212	1				EP0, ER0		Before Catalyst
	56041 213AB	1				EP0, ER0		After Catalyst
5	5602 9405	1				EP0, ER0		SENSOR, Map
6	5602 7905	1						SENSOR, Vehicle Speed
-7	5602 8182	1						O RING, Blue
8	4874 371AC	1				ER0		SENSOR, Throttle Position
9	5603 1005	1				EP0, ER0		SENDING UNIT, Oil Pressure
10								SENSOR, Anti-Lock Brakes
	5602 7727	2	J					Front
	5602 7728	1	J					Rear (Right)
	5602 7729	1	J					Rear (Left)
-11	3420 2536	2				EP0	DGD	STUD, .312-18x2.26, Crank Sensor Mounting



JEEP WRANGLER (TJ)

SERIES
L=Low Line

LINE
J = Wrangler 4WD
U = Wrangler 4WD (RHD)

BODY
77 = 93.4 WB

ENGINE
EPE, EP0 = 2.5L Power Tech
ERH, ER0 = 4.0L Power Tech

TRANSMISSION
DGG, DGD = 32RH 3 Spd. Auto.
DDQ = 5 Spd. Manual
DG0 = All Auto. Trans.
DBB =All Manual Trans.

Sensors 1999 TJ
Figure 008-605

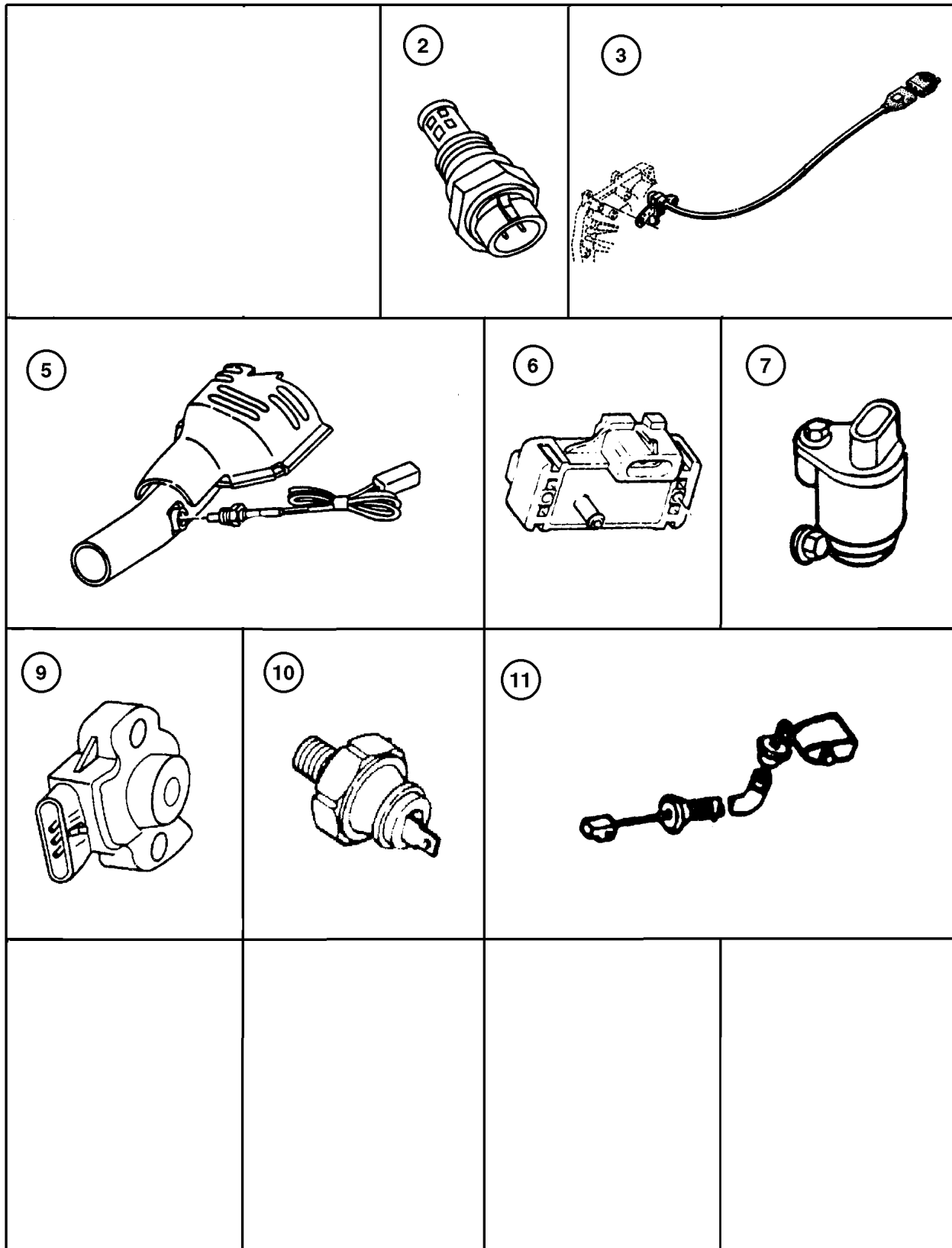
ITEM	PART NUMBER	QTY	LINE	SERIES	BODY	ENGINE	TRANS	DESCRIPTION
EP0=2.5L Engine ER0=4.0L Engine DGG= Automatic Transmission 3 Speed DGD=Automatic Transmission 3 Speed DBB= Manual Transmission								
-1	5602 7872	1				EP0, ER0		SENSOR, Air Temperature
2	5602 7873	1				EP0, ER0		SENSOR, Coolant Temperature
3								SENSOR, Crankshaft Position
	#56041 819AA	1				EP0		
	#56041 820AA	1				ER0	DBB	
-4	4897 321AA	1				ER0	DG0	SENSOR PACKAGE, Crankshaft Position
5								SENSOR, Oxygen
	#56041 212AE	1				ER0		Before Catalyst
	#56041 213AF	1				EP0		Before Catalyst
	#56041 213AG	1				EP0, ER0		After Catalyst
6	5602 9405	1				EP0, ER0		SENSOR, Map
7	5602 7905	1						SENSOR, Vehicle Speed
-8								O RING
	1556 385	1				EP0	DGD	
		1				ER0	DGG	
	5602 8182	1						Blue
9								SENSOR, Throttle Position
	4874 371AC	1				ER0		
		1				EP0		
10	#56028 807AA	1				EP0, ER0		SENDING UNIT, Oil Pressure
11								SENSOR, Anti-Lock Brakes
	5602 7727	2	J					Front
	5602 7728	1	J					Rear (Right)
	5602 7729	1	J					Rear (Left)
-12	6503 520	2				EP0, ER0	DBB	BOLT AND WASHER, Hex Head, M7x1.00x25, Crank Sensor Attaching
-13	3420 2536	2				EP0	DGD	STUD, .312-18x2.26, Crank Sensor Mounting

JEEP WRANGLER (TJ)

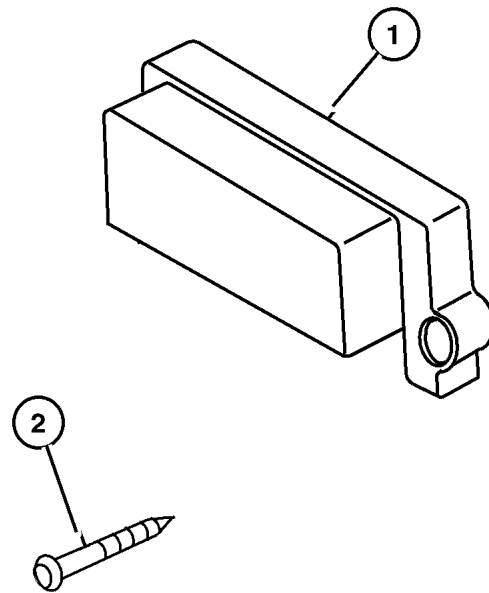
SERIES	LINE	BODY	ENGINE	TRANSMISSION
L=Low Line	J = Wrangler 4WD U = Wrangler 4WD (RHD)	77 = 93.4 WB	EPE, EP0 = 2.5L Power Tech ERH, ER0 = 4.0L Power Tech	DGG, DGD = 32RH 3 Spd. Auto. DDQ = 5 Spd. Manual DG0 = All Auto. Trans. DBB =All Manual Trans.

AR = Use as required - = Non illustrated part # = New this model year

June 7, 2002



**Single Board Engine Controllers (JTEC Module) 1997 TJ
Figure 008-705**



ITEM	PART NUMBER	QTY	LINE	SERIES	BODY	ENGINE	TRANS	DESCRIPTION
EP0=2.5L Engine ER0=4.0L Engine DG0=Automatic Transmission DBB= Manual Transmission								
1								MODULE, Powertrain Control
	4886 678	1				EP0	DBB	Before July 24, 1997 (w/Power Steering) FEDERAL/CALIFORNIA
	4886 679	1				EP0	DBB	Before July 24, 1997 (w/Manual Steering) FEDERAL/CALIFORNIA
	4886 680	1				EP0	DBB	Before July 24, 1997 (EUROPE w/ Export Package)
	4886 681	1				EP0	DBB	Before July 24, 1997 (w/Middle East Package) LEADED FUEL
	4886 682	1				EP0	DG0	Before July 24, 1997 (w/Power Steering) FEDERAL/CALIFORNIA
	4886 683	1				EP0	DG0	Before July 24, 1997 (w/Manual Steering) FEDERAL/CALIFORNIA
	4886 685	1				EP0	DG0	Before July 24, 1997 (w/Middle East Package) LEADED FUEL
	4886 686	1				ER0	DBB	Before July 24, 1997 (FEDERAL/CALIFORNIA)
	4886 687	1				ER0	DBB	Before July 24, 1997 (EUROPE w/ Export Package)
	4886 688	1				ER0	DBB	Before July 24, 1997 (LEADED FUEL w/Middle East Package)
	4886 689	1				ER0	DG0	Before July 24, 1997 (FEDERAL/CALIFORNIA)
	4886 690	1				ER0	DG0	Before July 24, 1997 (EUROPE w/ Export Package)
	4886 691	1				ER0	DG0	Before July 24, 1997 (LEADED FUEL w/Middle East Package)
	56041 305AD	1				EP0	DBB	After July 24,1997 (FEDERAL/CALIFORNIA)
	56041 306AD	1				EP0	DBB	After July 24,1997 (EUROPE w/Export Package)
	56041 307AD	1				EP0	DBB	After July 24,1997 (LEADED FUEL) Middle East
	56041 309AD	1				EP0	DG0	After July 24,1997 (FEDERAL/CALIFORNIA)
	56041 310AD	1				EP0	DG0	After July 24,1997 (EUROPE w/Export Package)
	56041 311AC	1				EP0	DG0	After July 24,1997 (LEADED FUEL) Middle East

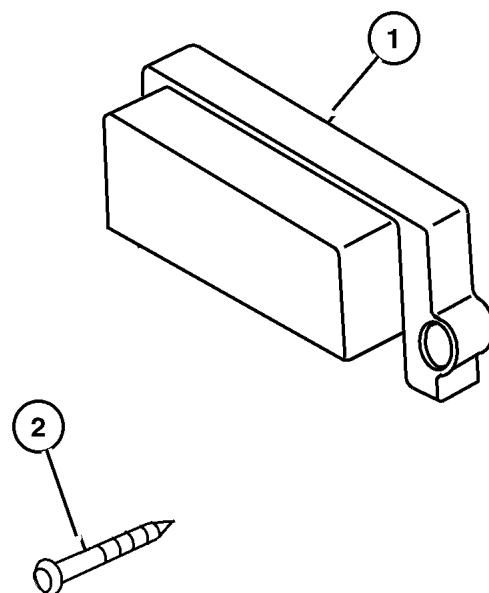
JEEP WRANGLER (TJ)

SERIES	LINE	BODY	ENGINE	TRANSMISSION
L=Low Line	J = Wrangler 4WD U = Wrangler 4WD (RHD)	77 = 93.4 WB	EPE, EP0 = 2.5L Power Tech ERH, ER0 = 4.0L Power Tech	DGG, DGD = 32RH 3 Spd. Auto. DDQ = 5 Spd. Manual DG0 = All Auto. Trans. DBB =All Manual Trans.

AR = Use as required - = Non illustrated part # = New this model year

June 7, 2002

**Single Board Engine Controllers (JTEC Module) 1998 TJ
Figure 008-705**



ITEM	PART NUMBER	QTY	LINE	SERIES	BODY	ENGINE	TRANS	DESCRIPTION
EP0=2.5L Engine ER0=4.0L Engine DG0=Automatic Transmission DBB= Manual Transmission								
1								MODULE, Powertrain Control
	56041 614AE	1				EP0	DG0	w/Automatic Transmission (CALIFORNIA)
	56041 615AE	1				EP0	DG0	w/Automatic Transmission (EUROPE)
	56041 617AE	1				ER0	DBB	w/Manual Transmission (FEDERAL)
	56041 618AE	1				EP0	DBB	w/Manual Transmission (FEDERAL)
	56041 619AE	1				EP0	DBB	w/Manual Transmission (EUROPE)
	56041 620AE	1				EP0	DBB	w/Manual Transmission (LEADED FUEL)
	56041 621AE	1				EP0	DG0	w/Automatic Transmission (FEDERAL)
	56041 622AE	1				EP0	DBB	w/Manual Transmission (CALIFORNIA)
	56041 623AE	1				ER0	DG0	w/Automatic Transmission (CALIFORNIA)
	56041 624AE	1				ER0	DBB	w/Manual Transmission (CALIFORNIA)
	56041 625AE	1				ER0	DBB	w/Manual Transmission (EUROPE)
	56041 626AE	1				ER0	DBB	w/Manual Transmission (LEADED FUEL)
	56041 627AE	1				ER0	DG0	w/Automatic Transmission (FEDERAL)
	56041 628AE	1				ER0	DG0	w/Automatic Transmission (EUROPE)
	56041 629AE	1				ER0	DG0	w/Automatic Transmission (LEADED FUEL)
2								SCREW, (.190-16x1.75) Not Serviced ***, (NOT SERVICED)
-3	5603 8455	1				EP0, ER0		COVER, Module, Motorola JTEC Module

JEEP WRANGLER (TJ)

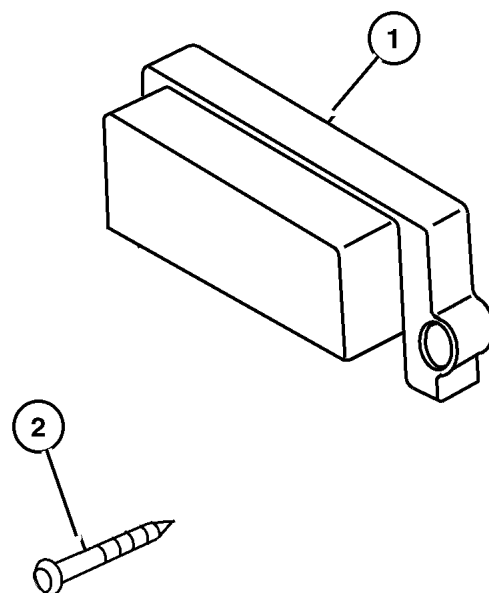
SERIES	LINE	BODY	ENGINE	TRANSMISSION
L=Low Line	J = Wrangler 4WD U = Wrangler 4WD (RHD)	77 = 93.4 WB	EPE, EP0 = 2.5L Power Tech ERH, ER0 = 4.0L Power Tech	DGG, DGD = 32RH 3 Spd. Auto. DDQ = 5 Spd. Manual DG0 = All Auto. Trans. DBB =All Manual Trans.

AR = Use as required - = Non illustrated part # = New this model year

June 7, 2002

Single Board Engine Controllers (JTEC Module) 1999 TJ
Figure 008-705

ITEM	PART NUMBER	QTY	LINE	SERIES	BODY	ENGINE	TRANS	DESCRIPTION
EP0=2.5L Engine								
ER0=4.0L Engine								
DG0=Automatic Transmission								
DBB= Manual Transmission								
1								MODULE, Powertrain Control
	#56041 457AC	1				EP0	DBB	FEDERAL
	#56041 458AC	1				EP0	DBB	CALIFORNIA
	#56041 459AC	1				EP0	DBB	EUROPE
	#56041 460AC	1				EP0	DBB	LEADED FUEL
	#56041 461AC	1				EP0	DG0	FEDERAL
	#56041 462AC	1				EP0	DG0	CALIFORNIA
	#56041 463AC	1				EP0	DG0	EUROPE
	#56041 465AC	1				ER0	DBB	FEDERAL
	#56041 466AC	1				ER0	DBB	CALIFORNIA
	#56041 467AC	1				ER0	DBB	EUROPE
	#56041 468AC	1				ER0	DBB	LEADED FUEL
	#56041 469AC	1				ER0	DG0	FEDERAL
	#56041 470AC	1				ER0	DG0	CALIFORNIA
	#56041 471AC	1				ER0	DG0	EUROPE
	#56041 472AC	1				ER0	DG0	LEADED FUEL
2								SCREW, (.190-16x1.75) Not Serviced ***, (NOT SERVICED)
-3								COVER, Module, (NOT REQUIRED)



JEEP WRANGLER (TJ)

SERIES	LINE	BODY	ENGINE	TRANSMISSION
L=Low Line	J = Wrangler 4WD U = Wrangler 4WD (RHD)	77 = 93.4 WB	EPE, EP0 = 2.5L Power Tech ERH, ER0 = 4.0L Power Tech	DGG, DGD = 32RH 3 Spd. Auto. DDQ = 5 Spd. Manual DG0 = All Auto. Trans. DBB =All Manual Trans.

AR = Use as required - = Non illustrated part # = New this model year

June 7, 2002

Switches 1997 TJ
Figure 008-805

ITEM	PART NUMBER	QTY	LINE	SERIES	BODY	ENGINE	TRANS	DESCRIPTION
EP0=2.5L Engine								
ER0=4.0L Engine								
EN0=2.5L 4 Cylinder Turbo Diesel Engine								
DG0=Automatic Transmission								
DBB= Manual Transmission								
DDQ= Manual Transmission 5 Speed								
1	5600 7251	1	J		77			SWITCH, Headlamp Leveling Headlight Aiming, EXPORT
		1	U		77			Headlight Aiming, EXPORT
-2	56021 893AA	1	U					RETAINER, Headlamp Switch
3	5600 7248	1						SWITCH, Fog Lamp (EUROPE), Rear
	5080 861AA	1						Front
-4	4874 122AB	1						BULB AND SOCKET
-5	5600 7285	1	J		77			PLUG, Wiring Front/Rear Fog Lamp
		1	U		77			Front/Rear Fog Lamp
-6	6032 723	2						SCREW, Hex Flange Tapping
7	5600 8852	1						CAP, Cigar Lighter, Cigar Lighter
8	5600 7250	1						SWITCH, Electric Back Light, Heated Backlight
-9	4874 123	1						BULB AND SOCKET, Wedge Type T1
-10	5600 7329	1						PLUG, Switch Opening, Heated Backlight
11	5600 7249	1						SWITCH, Wiper and Washer, Rear
-12	5600 7314	1	J		77			BEZEL, Cigar Lighter
		1	U		77			Bezel for EBL, Fog Lamp, Rear Wiper Switches
		1	U		77			Bezel for EBL, Fog Lamp, Rear Wiper Switches
-13	5600 8994	1						COVER, Switch, Wiper POD
-14	5600 7329	1						PLUG, Switch Opening, Rear Wiper/ Washer
15	4671 336	1						SWITCH, Stop Lamp
16	4661 942	1	J		77		DG0	SWITCH, Windshield Wiper 2 Speed Wiper
		1	U		77		DG0	2 Speed Wiper
-17	4793 313	1					DG0	SWITCH, Intermittent Wiper
		1					DBB	
18	5600 9135	1					DBB	SWITCH, Multifunction
19	8350 0629	1	J		77	EP0	DDQ	SWITCH, Back Up Lamp Back-Up Lamp, Man. Trans.
		1				EN0	DBB	Back-Up Lamp, Man. Trans.

JEEP WRANGLER (TJ)

SERIES
L=Low Line

LINE
J = Wrangler 4WD
U = Wrangler 4WD (RHD)

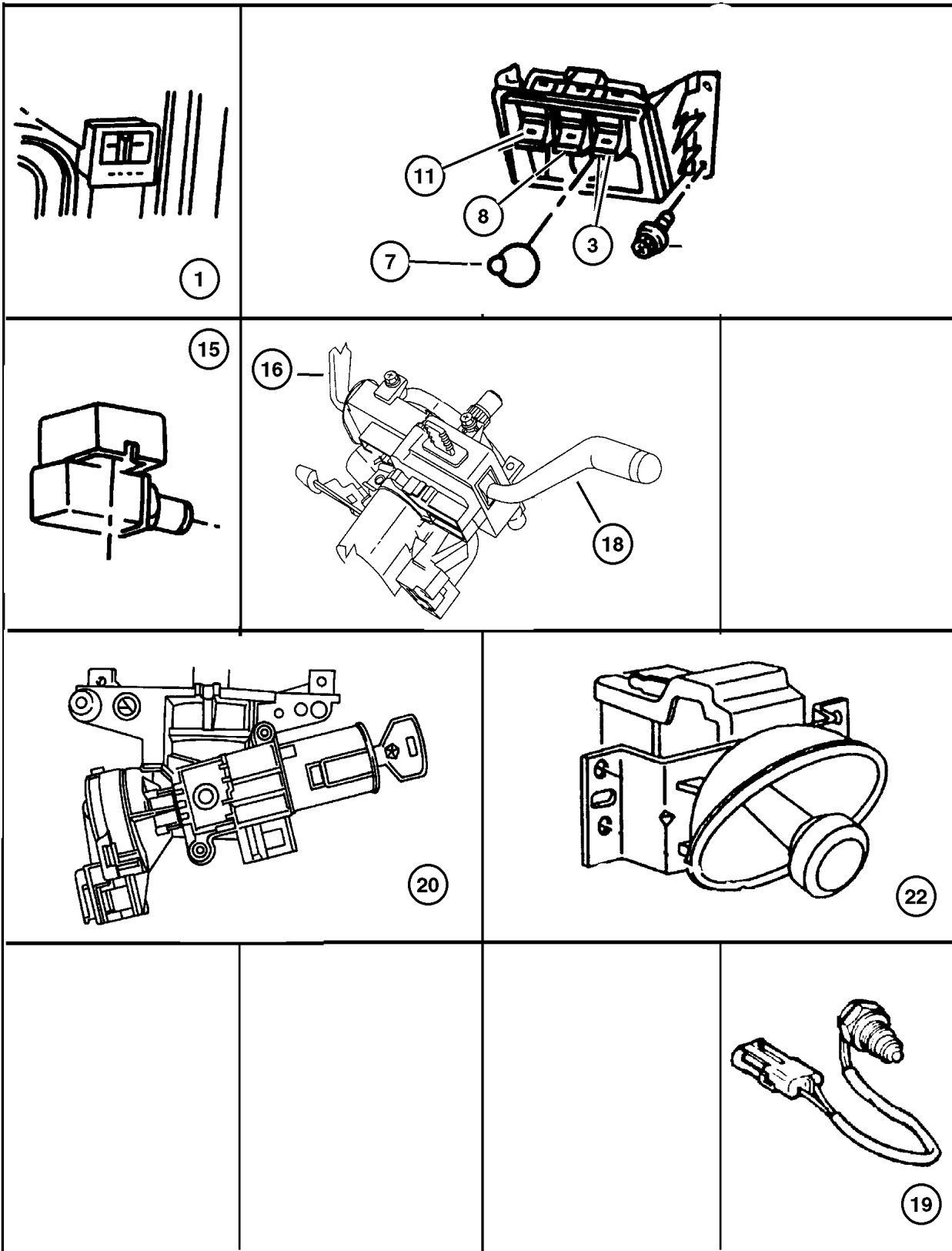
BODY
77 = 93.4 WB

ENGINE
EPE, EP0 = 2.5L Power Tech
ERH, ER0 = 4.0L Power Tech

TRANSMISSION
DGG, DGD = 32RH 3 Spd. Auto.
DDQ = 5 Spd. Manual
DG0 = All Auto. Trans.
DBB =All Manual Trans.

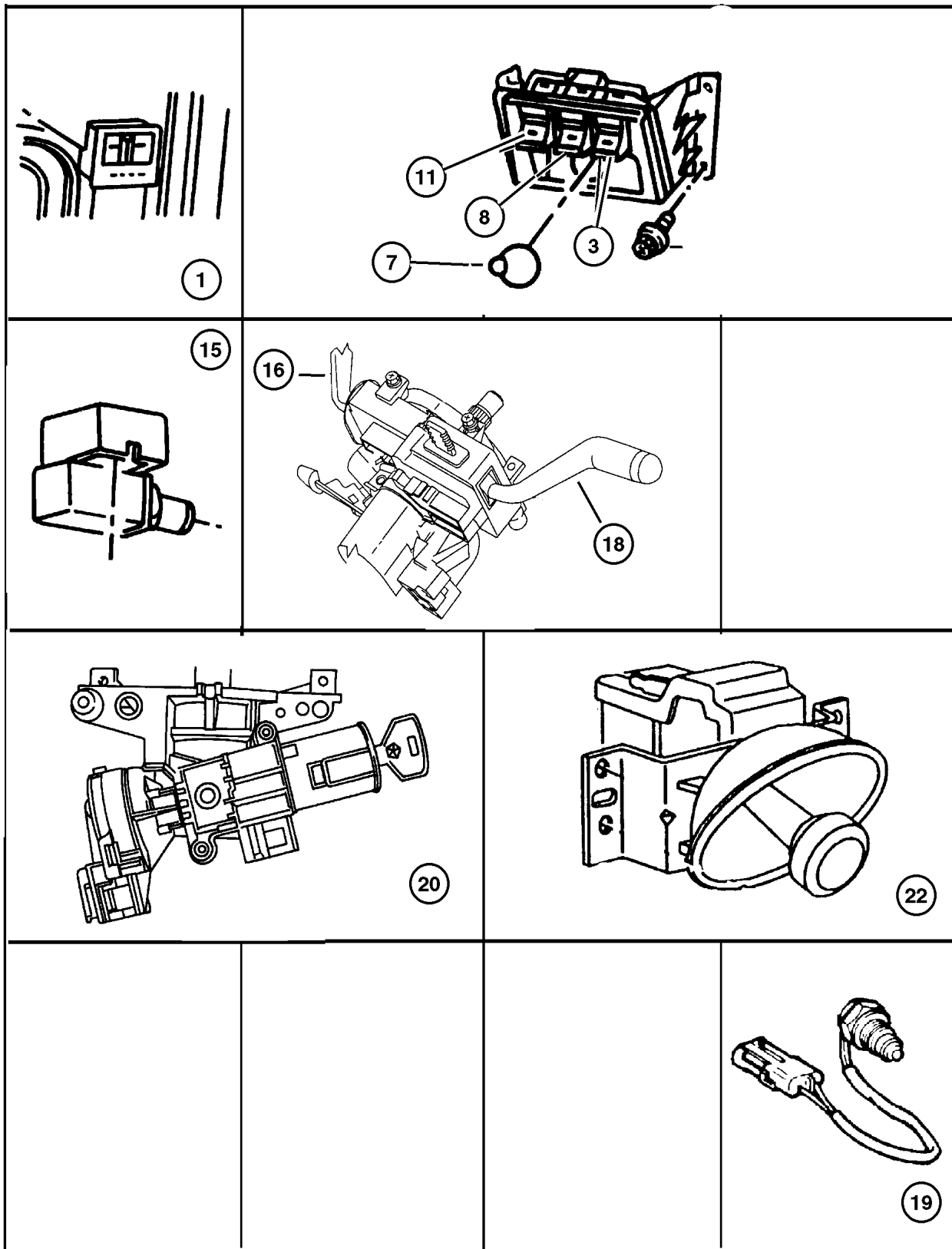
AR = Use as required - = Non illustrated part # = New this model year

June 7, 2002



Switches 1997 TJ
Figure 008-805

ITEM	PART NUMBER	QTY	LINE	SERIES	BODY	ENGINE	TRANS	DESCRIPTION
		1	J		77	ER0	DDQ	Back-Up Lamp, Man. Trans.
		1	U		77	ER0	DDQ	Back-Up Lamp, Man. Trans.
20	4565 326	1					DG0	SWITCH, Ignition
		1					DBB	Ign. Key Warning
-21	5600 9032	1						KNOB AND SHAFT, Headlamp Switch
22	5269 478	1						SWITCH, Headlamp
-23	5600 9047	1	J				DBB	SWITCH, Clutch Starter Interlock, Clutch Starter Interlock
-24	5602 7906	1	U			EP0		SWITCH, Power Steering, Pwr. Steering High Pressure Hose
-25	4856 849	1	J			EP0,		SWITCH, A/C Cycling
		1	U			ER0,		A/C Low Pressure Cycling
		1	U			EP0,		A/C Low Pressure Cycling
		1	U			ER0		A/C Low Pressure Cycling
-26	4687 558	2						SWITCH, Door Ajar
-27	J093 4001	1				EP0		ELBOW, Oil Gauge Sending Unit
-28	5600 6315	1						SWITCH, Anti Lock Brake Accelarat, G Switch



JEEP WRANGLER (TJ)

SERIES	LINE	BODY	ENGINE	TRANSMISSION
L=Low Line	J = Wrangler 4WD U = Wrangler 4WD (RHD)	77 = 93.4 WB	EPE, EP0 = 2.5L Power Tech ERH, ER0 = 4.0L Power Tech	DGG, DGD = 32RH 3 Spd. Auto. DDQ = 5 Spd. Manual DG0 = All Auto. Trans. DBB =All Manual Trans.

AR = Use as required - = Non illustrated part # = New this model year

June 7, 2002

Switches 1998 TJ
Figure 008-805

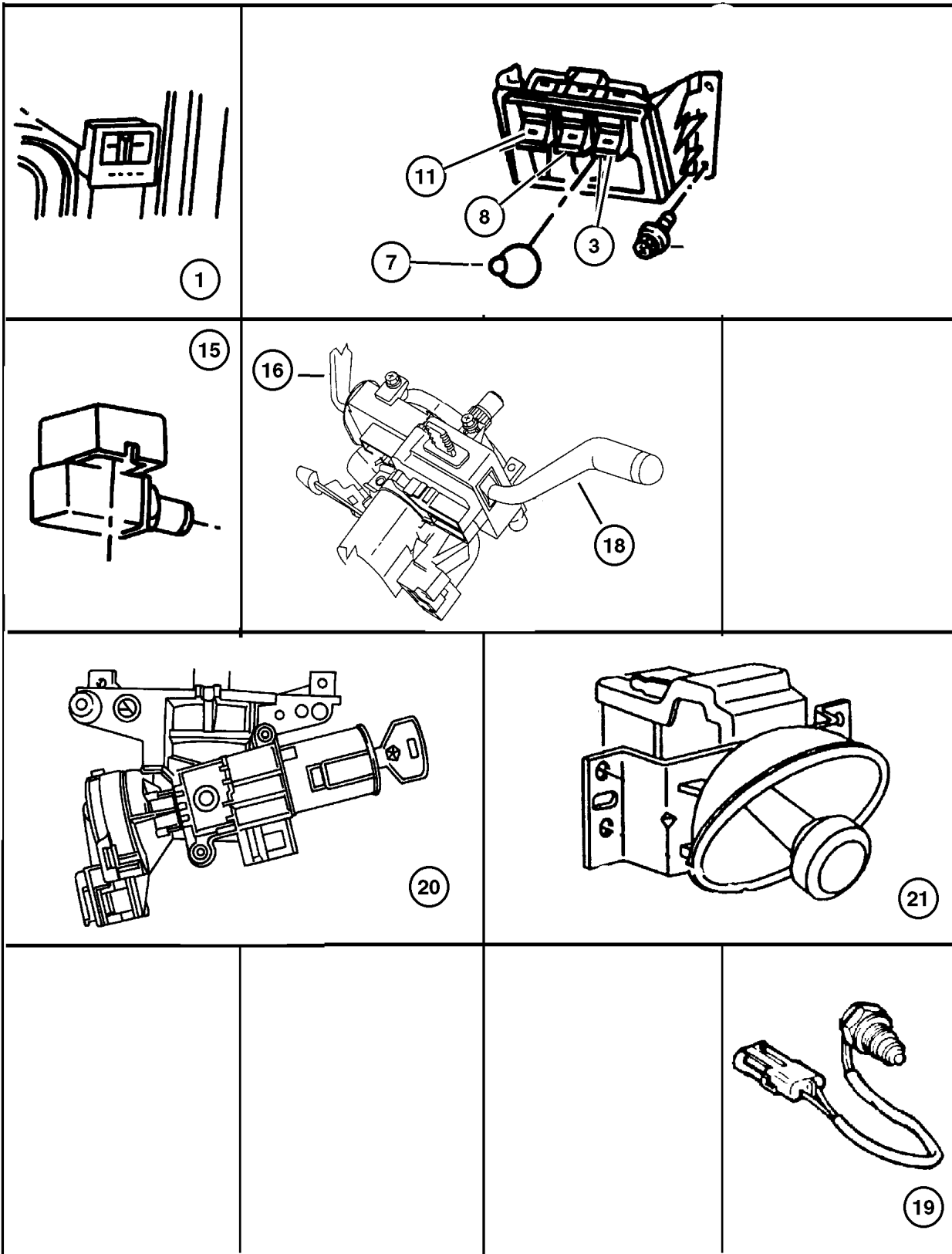
ITEM	PART NUMBER	QTY	LINE	SERIES	BODY	ENGINE	TRANS	DESCRIPTION
EP0=2.5L Engine								
ER0=4.0L Engine								
EN0=2.5L 4 Cylinder Turbo Diesel Engine								
DG0=Automatic Transmission								
DBB= Manual Transmission								
DDQ= Manual Transmission 5 Speed								
1	5600 9640	1						SWITCH, Headlamp Leveling, Mandatory (SOUTH AFRICA), Mandatory (SOUTH AFRICA)
-2	56021 893AA	1	U					RETAINER, Headlamp Switch
3	5600 7248	1						SWITCH, Fog Lamp Rear (EUROPE), Mandatory (EXPORT), Mandatory (EXPORT)
	5080 861AA	1						Front
-4	4874 122AB	1						BULB AND SOCKET Graphic Illumination
	4874 123	1						Switch On Indicator
-5	5600 7285	1						PLUG, Wiring
-6	6032 723	2						SCREW, Hex Flange Tapping
7	5600 8852	1						CAP, Cigar Lighter, Cigar Lighter
8	5600 7250	1						SWITCH, Electric Back Light
-9	4874 122AB	1						BULB AND SOCKET, Switch On Indicator
-10	5600 7329	1						PLUG, Switch Opening
11	5600 7249	1						SWITCH, Wiper and Washer, Rear
-12	5600 8994	1						COVER, Switch, Wiper POD
-13	56007 314AC	1						BEZEL, Cigar Lighter, Bezel for EBL, Fog Lamp, Rear Wiper Switches
-14	5600 7329	1						PLUG, Switch Opening
15	4671 336	1						SWITCH, Stop Lamp
16	4661 942	1					DG0	SWITCH, Windshield Wiper
-17	4793 313	1					DG0 DBB	SWITCH, Intermittent Wiper
18	5600 9135	1					DG0	SWITCH, Multifunction
19	8350 0629	1				EP0 ER0	DDQ DDQ	SWITCH, Back Up Lamp
20	4565 326	1					DG0	SWITCH, Ignition
21	56009 869AA	1	U					SWITCH, Headlamp
		1	J					
-22	5600 9047	1	J				DBB	SWITCH, Clutch Starter Interlock, Clutch Starter Interlock
-23								SWITCH, Power Steering

JEEP WRANGLER (TJ)

SERIES	LINE	BODY	ENGINE	TRANSMISSION
L=Low Line	J = Wrangler 4WD U = Wrangler 4WD (RHD)	77 = 93.4 WB	EPE, EP0 = 2.5L Power Tech ERH, ER0 = 4.0L Power Tech	DGG, DGD = 32RH 3 Spd. Auto. DDQ = 5 Spd. Manual DG0 = All Auto. Trans. DBB =All Manual Trans.

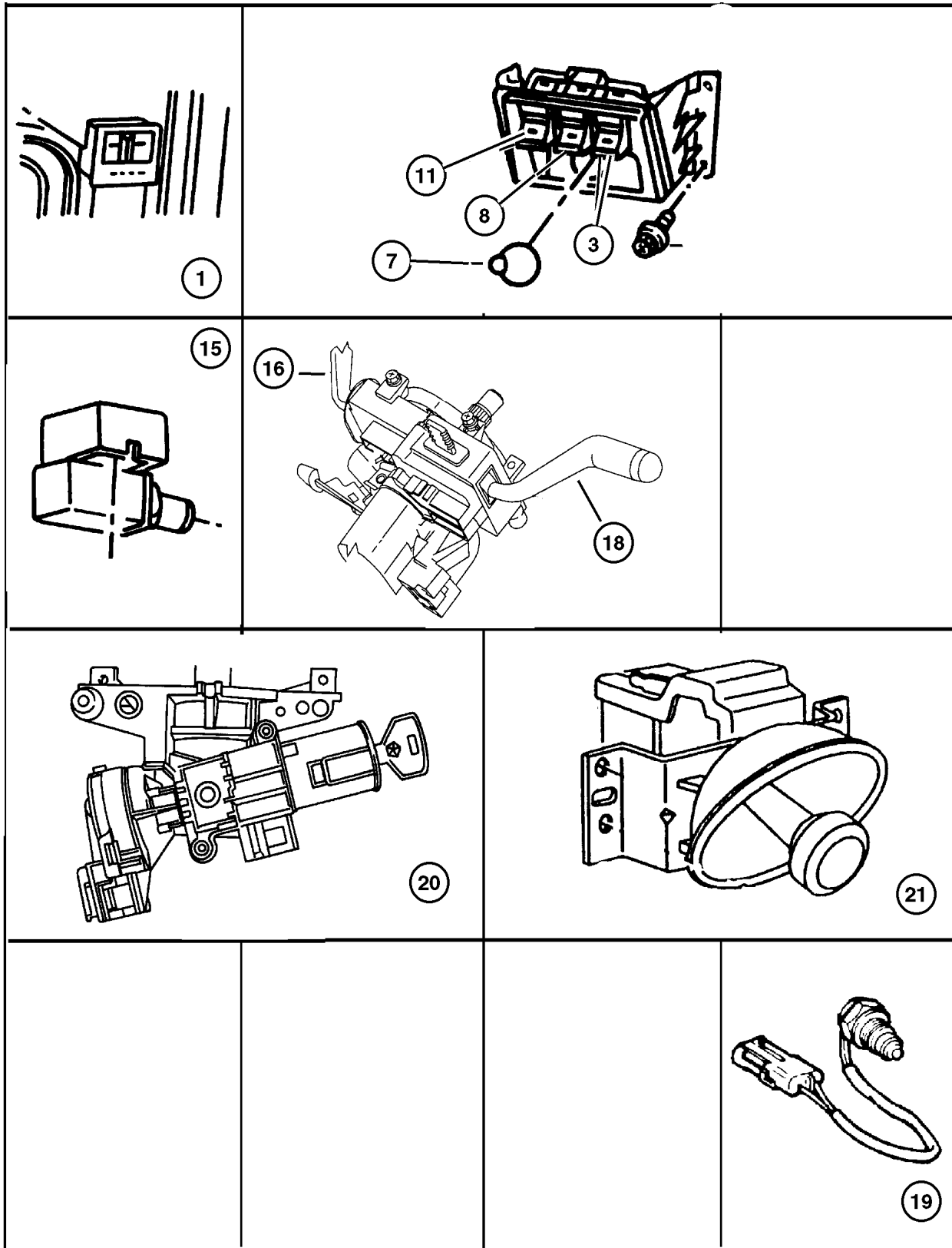
AR = Use as required - = Non illustrated part # = New this model year

June 7, 2002



Switches 1998 TJ
Figure 008-805

ITEM	PART NUMBER	QTY	LINE	SERIES	BODY	ENGINE	TRANS	DESCRIPTION
	56027 906AB	1	U			EP0		
		1	J			EP0		
-24	4897 614AA	1	J			EP0, ER0		SWITCH, A/C Cycling
		1	U			EP0, ER0		
-25	4687 558	2						SWITCH, Door Ajar
-26	5600 9032	1						KNOB AND SHAFT, Headlamp Switch
-27	J093 4001	1				EP0, ER0		ELBOW, Oil Gauge Sending Unit
-28	5600 6315	1						SWITCH, Anti Lock Brake Accelarat, G Switch
-29								SWITCH, Speed Control
	56007 530AC	1						Right
	56007 531AC	1						Left



JEEP WRANGLER (TJ)

SERIES	LINE	BODY	ENGINE	TRANSMISSION
L=Low Line	J = Wrangler 4WD U = Wrangler 4WD (RHD)	77 = 93.4 WB	EPE, EP0 = 2.5L Power Tech ERH, ER0 = 4.0L Power Tech	DGG, DGD = 32RH 3 Spd. Auto. DDQ = 5 Spd. Manual DG0 = All Auto. Trans. DBB =All Manual Trans.

AR = Use as required - = Non illustrated part # = New this model year

June 7, 2002

Switches 1999 TJ
Figure 008-805

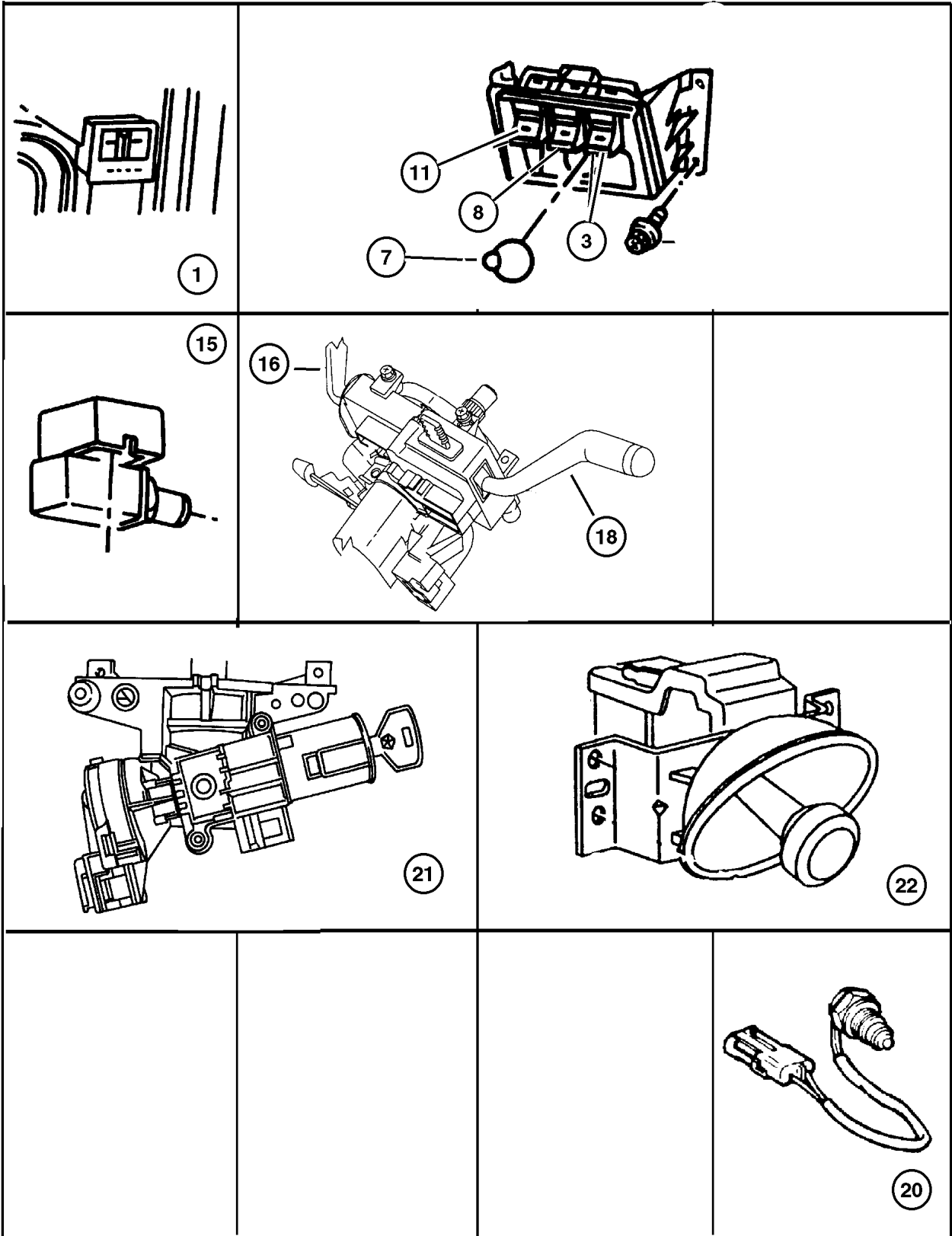
ITEM	PART NUMBER	QTY	LINE	SERIES	BODY	ENGINE	TRANS	DESCRIPTION
EP0=2.5L Engine								
ER0=4.0L Engine								
DG0=Automatic Transmissions								
DBB= Manual Transmissions								
DDK=5 Speed Manual Transmissions Heavy Duty								
DDQ=5 Speed Manual Transmissions								
1	#56009 640AB	1						SWITCH, Headlamp Leveling
-2	56021 893AA	1	J					RETAINER, Headlamp Switch
3								SWITCH, Fog Lamp
	5600 7248	1						Rear (EUROPE)
	5080 861AA	1						Front
-4								BULB AND SOCKET
	4874 122AB	1						Graphic Illumination
		1						Switch On Indicator
	4874 123	1						Switch On Indicator
-5	5600 7285	1						PLUG, Wiring
-6	6034 949	3						SCREW
7								CAP, Cigar Lighter, (NOT REQUIRED)
8	5600 7250	1						SWITCH, Electric Back Light
-9								BULB AND SOCKET
	4874 122AB	1						Switch On Indicator
	4874 123	1						Wedge Type T1
-10	5600 7329	1						PLUG, Switch Opening
11	5600 7249	1						SWITCH, Wiper and Washer, Rear
-12	56007 314AC	1						BEZEL, Cigar Lighter, Bezel for EBL, Fog
								Lamp, Rear Wiper Switches
-13	5600 8994	1						COVER, Switch, Wiper POD
-14	5600 7329	1						PLUG, Switch Opening
15	4671 336	1						SWITCH, Stop Lamp
16								SWITCH, Windshield Wiper
	4661 942	1					DG0	
		1					DBB	
-17								SWITCH, Intermittent Wiper
	4793 313	1					DG0	
		1					DBB	
18								SWITCH, Multifunction
	5600 9135	1					DG0	
		1					DBB	
-19	4863 839	1						CONNECTOR PACKAGE, Beam Select
								Switch
20								SWITCH, Back Up Lamp
	8350 0629	1				EP0	DDQ	
		1				ER0	DDK	
21								SWITCH, Ignition

JEEP WRANGLER (TJ)

SERIES	LINE	BODY	ENGINE	TRANSMISSION
L=Low Line	J = Wrangler 4WD U = Wrangler 4WD (RHD)	77 = 93.4 WB	EPE, EP0 = 2.5L Power Tech ERH, ER0 = 4.0L Power Tech	DGG, DGD = 32RH 3 Spd. Auto. DDQ = 5 Spd. Manual DG0 = All Auto. Trans. DBB =All Manual Trans.

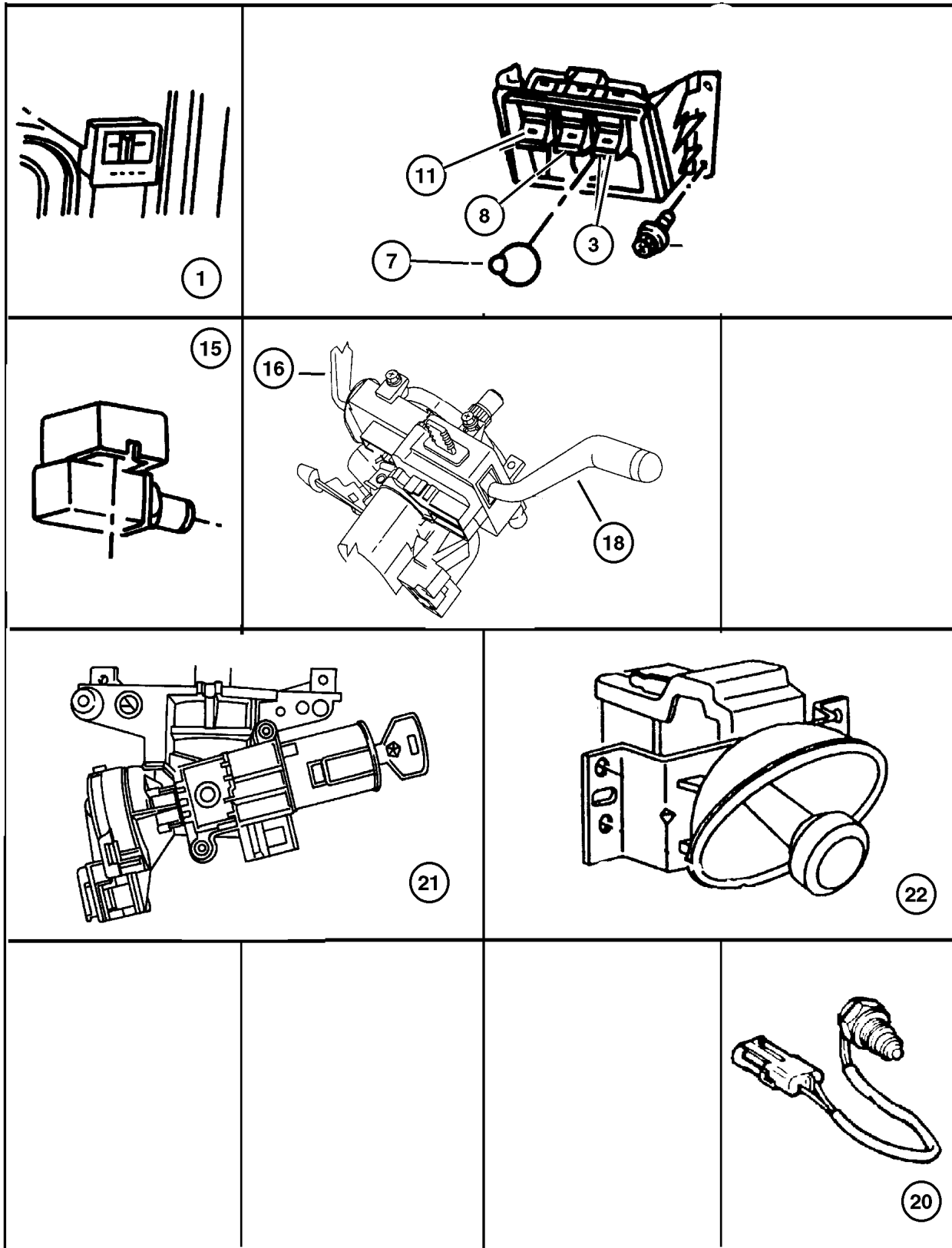
AR = Use as required - = Non illustrated part # = New this model year

June 7, 2002



Switches 1999 TJ
Figure 008-805

ITEM	PART NUMBER	QTY	LINE	SERIES	BODY	ENGINE	TRANS	DESCRIPTION
	4565 326	1					DG0	
		1					DBB	
22	56009 869AB	1	J					SWITCH, Headlamp
		1	U					
-23	5600 9047	1	J				DBB	SWITCH, Clutch Starter Interlock
-24	56027 906AB	1	J			EPO		SWITCH, Power Steering
-25								SWITCH, A/C Cycling
	4897 614AA	1	U			EPO		
		1	U			ER0		
-26	4687 558	2						SWITCH, Door Ajar
-27	5600 9032	1						KNOB AND SHAFT, Headlamp Switch
-28	4897 760AA	1	J					SWITCH, Blower Control
-29	#56006 315AB	1						SWITCH, Anti Lock Brake Accelarat, G Switch
-30								SWITCH, Speed Control
	#56007 530AD	1						Right
	#56007 531AD	1						Left



JEEP WRANGLER (TJ)

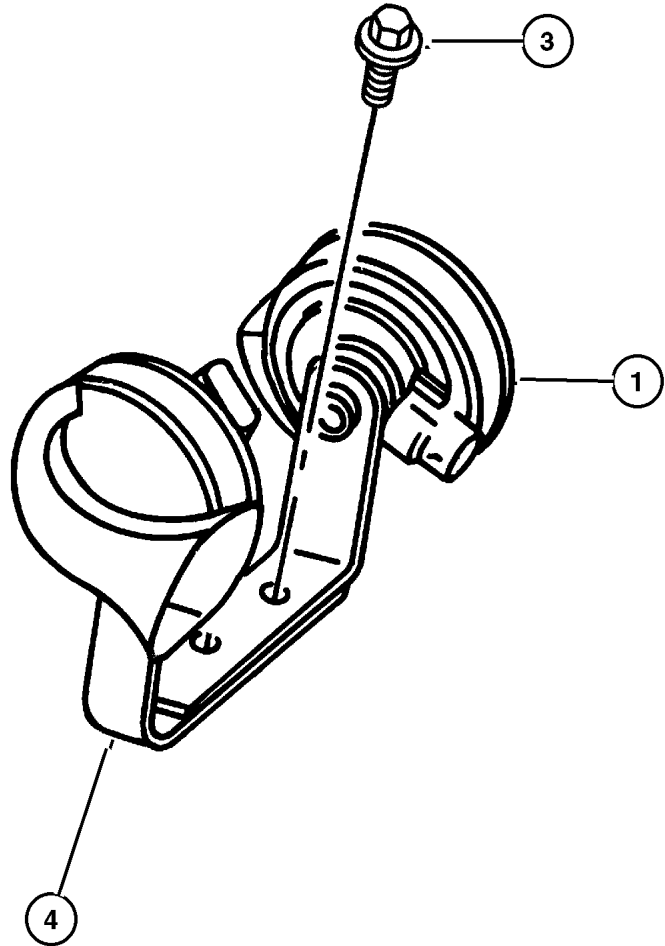
SERIES	LINE	BODY	ENGINE	TRANSMISSION
L=Low Line	J = Wrangler 4WD U = Wrangler 4WD (RHD)	77 = 93.4 WB	EPE, EPO = 2.5L Power Tech ERH, ER0 = 4.0L Power Tech	DGG, DGD = 32RH 3 Spd. Auto. DDQ = 5 Spd. Manual DG0 = All Auto. Trans. DBB =All Manual Trans.

AR = Use as required - = Non illustrated part # = New this model year

June 7, 2002

Horns 1997 TJ 1998 TJ
Figure 008-905

ITEM	PART NUMBER	QTY	LINE	SERIES	BODY	ENGINE	TRANS	DESCRIPTION
1								HORN AND BRACKET, Low Note
	5600 7344	1						1997 TJ
	5600 8790	1						1998 TJ
-2	56009 768AB	1						HORN, High Note
3	6502 767	1						SCREW, Tap, M8x1.25x22
4								BRACKET, Horn Mounting (Serviced In Assembly Item # 1), (NOT SERVICED)
-5	5600 9769	1						HORN, Duel



JEEP WRANGLER (TJ)

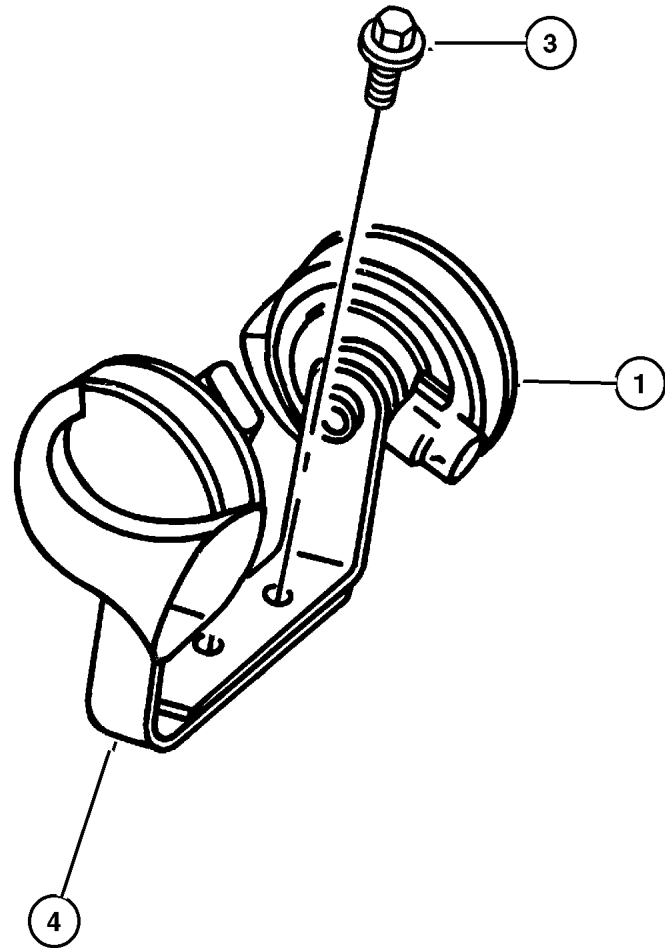
SERIES	LINE	BODY	ENGINE	TRANSMISSION
L=Low Line	J = Wrangler 4WD U = Wrangler 4WD (RHD)	77 = 93.4 WB	EPE, EP0 = 2.5L Power Tech ERH, ER0 = 4.0L Power Tech	DGG, DGD = 32RH 3 Spd. Auto. DDQ = 5 Spd. Manual DG0 = All Auto. Trans. DBB =All Manual Trans.

AR = Use as required - = Non illustrated part # = New this model year

June 7, 2002

Horns 1999 TJ
Figure 008-905

ITEM	PART NUMBER	QTY	LINE	SERIES	BODY	ENGINE	TRANS	DESCRIPTION
1	56009 769AB	1						HORN, Duel
-2	56009 768AC	1						HORN, High Note, (EUROPE)
3								SCREW, Tap, M8x1.25x22, (NOT SERVICED)
4								BRACKET, Horn Mounting (Serviced In Assembly Item # 1), (NOT SERVICED)



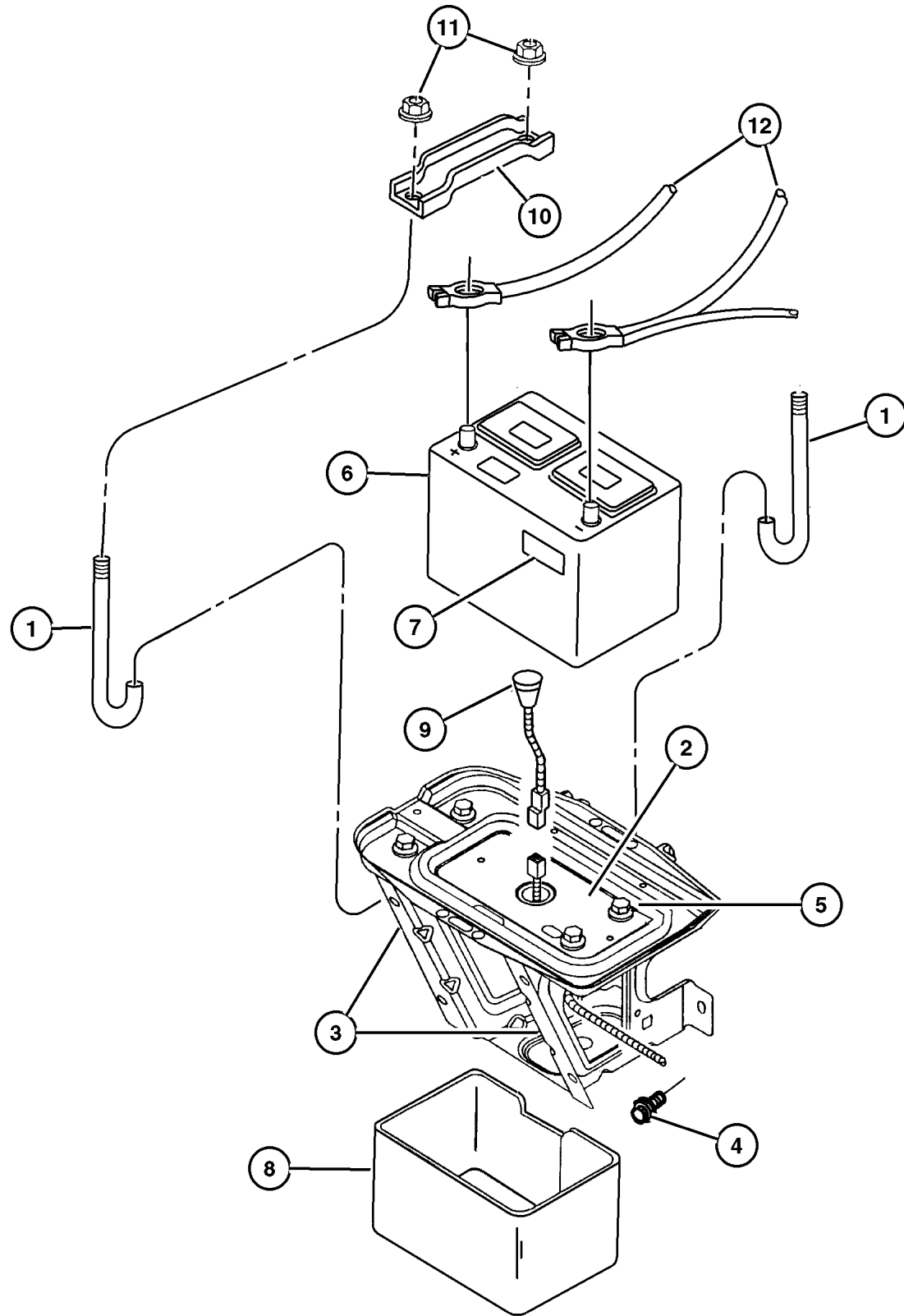
JEEP WRANGLER (TJ)

SERIES	LINE	BODY	ENGINE	TRANSMISSION
L=Low Line	J = Wrangler 4WD U = Wrangler 4WD (RHD)	77 = 93.4 WB	EPE, EP0 = 2.5L Power Tech ERH, ER0 = 4.0L Power Tech	DGG, DGD = 32RH 3 Spd. Auto. DDQ = 5 Spd. Manual DG0 = All Auto. Trans. DBB =All Manual Trans.

AR = Use as required - = Non illustrated part # = New this model year

June 7, 2002

Battery Tray & Cables 1997 TJ
Figure 008-1005



ITEM	PART NUMBER	QTY	LINE	SERIES	BODY	ENGINE	TRANS	DESCRIPTION
EP0=2.5L Engine								
ER0=4.0L Engine								
EN0=2.5L 4 Cylinder Turbo Diesel Engine								
1	5502 6434	2						ROD, Battery, Side Hold Down
2								TRAY, Battery
	5517 4728	1	J		77			Battery
		1	U		77			Battery
3								REINFORCEMENT, Battery Tray
	5517 4782	1	J		77			Right
	5517 4783	1	J		77			Left
4	6100 583	4						BOLT AND CONED WASHER, Hex Head, M8x25x20
5	0180 077	1						BOLT, Hex Head, 5/16x18x3/4
6								BATTERY, See MOPAR Battery Catalog , (NOT SERVICED)
7								LABEL, Battery
	4793 062	1				EP0, ER0		Mandatory (AUSTRALIA, SOUTH AFRICA, UNITED KINGDOM), Mandatory (AUSTRALIA, SOUTH AFRICA, UNITED KINGDOM)
		1				EN0		Canada
8	5604 1046	1						COVER, Battery
	56027 073AB	1				EP0, ER0		
9	5602 7332	1				EP0, ER0		SENSOR, Battery Temperature
10	5501 4361	1						BRACKET, Battery Hold Down, Top
11	6025 007	2						NUT AND WASHER, Hex, .312-18
12								WIRING, Battery
	5600 9507	1	J			ER0		L.H.D.
	5601 8745	1	U		77	EP0, ER0		R.H.D.
	56010 208AA	1	J			EP0		L.H.D.
-13								PROTECTOR, Wiring
	5517 6426	1	J		77			
		1	U		77			
-14	4641 780	1						STRAP, Tie

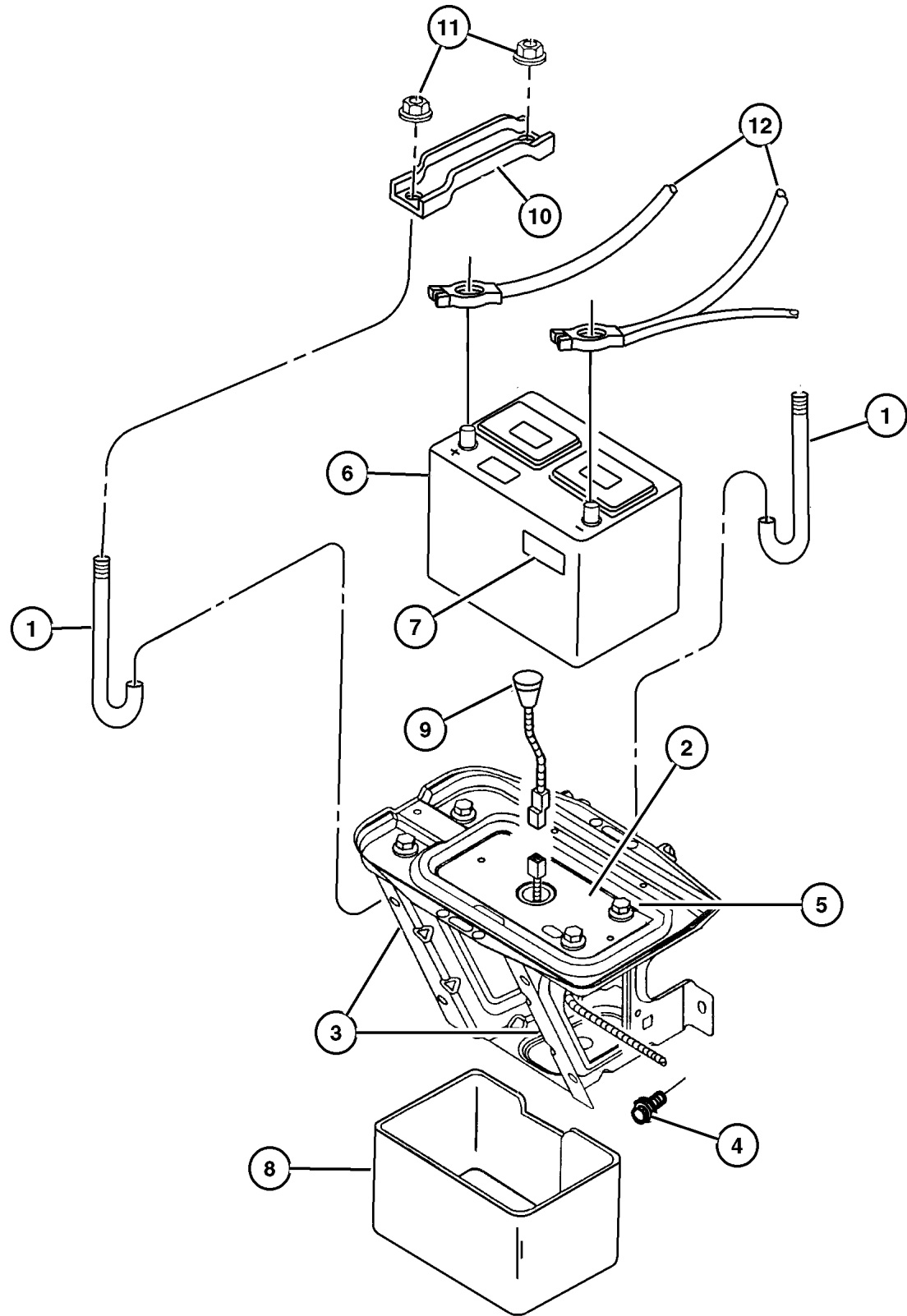
JEEP WRANGLER (TJ)

SERIES	LINE	BODY	ENGINE	TRANSMISSION
L=Low Line	J = Wrangler 4WD U = Wrangler 4WD (RHD)	77 = 93.4 WB	EPE, EP0 = 2.5L Power Tech ERH, ER0 = 4.0L Power Tech	DGG, DGD = 32RH 3 Spd. Auto. DDQ = 5 Spd. Manual DG0 = All Auto. Trans. DBB =All Manual Trans.

AR = Use as required - = Non illustrated part # = New this model year

June 7, 2002

Battery Tray & Cables 1998 TJ
Figure 008-1005



ITEM	PART NUMBER	QTY	LINE	SERIES	BODY	ENGINE	TRANS	DESCRIPTION
EP0=2.5L Engine								
ER0=4.0L Engine								
EN0=2.5L 4 Cylinder Turbo Diesel Engine								
1	5502 6434	2						ROD, Battery, Side Hold Down
2	5517 4728	1						TRAY, Battery
3								REINFORCEMENT, Battery Tray
	5517 4782	1						Right
	5517 4783	1						Left
4	6100 583	4						BOLT AND CONED WASHER, Hex Head, M8x25x20
5	0180 077	1						BOLT, Hex Head, 5/16x18x3/4
6								BATTERY, See MOPAR Battery Catalog , (NOT SERVICED)
7								LABEL, Battery
	4793 062	1				EP0, ER0		Mandatory (CYPRUS, AUSTRALIA, SOUTH KOREA, SOUTH AFRICA, UNITED KINGDOM MARKET PACKAGE), Mandatory (CYPRUS, AUSTRALIA, SOUTH KOREA, SOUTH AFRICA, UNITED KINGDOM MARKET PACKAGE)
	5604 1046	1						Canada
8	56027 073AB	1				EP0, ER0		COVER, Battery
9	5602 7332	1				EP0, ER0		SENSOR, Battery Temperature
10	5501 4361	1						BRACKET, Battery Hold Down, Top
11	6025 007	2						NUT AND WASHER, Hex, .312-18
12								WIRING, Battery
	56041 445AA	1	J			EP0		
	56041 446AA	1	J			ER0		
	56041 447AA	1	U			EP0		
	56041 448AA	1	U			ER0		
-13	55176 426AB	1	J					PROTECTOR, Wiring
-14	4641 780	1						STRAP, Tie

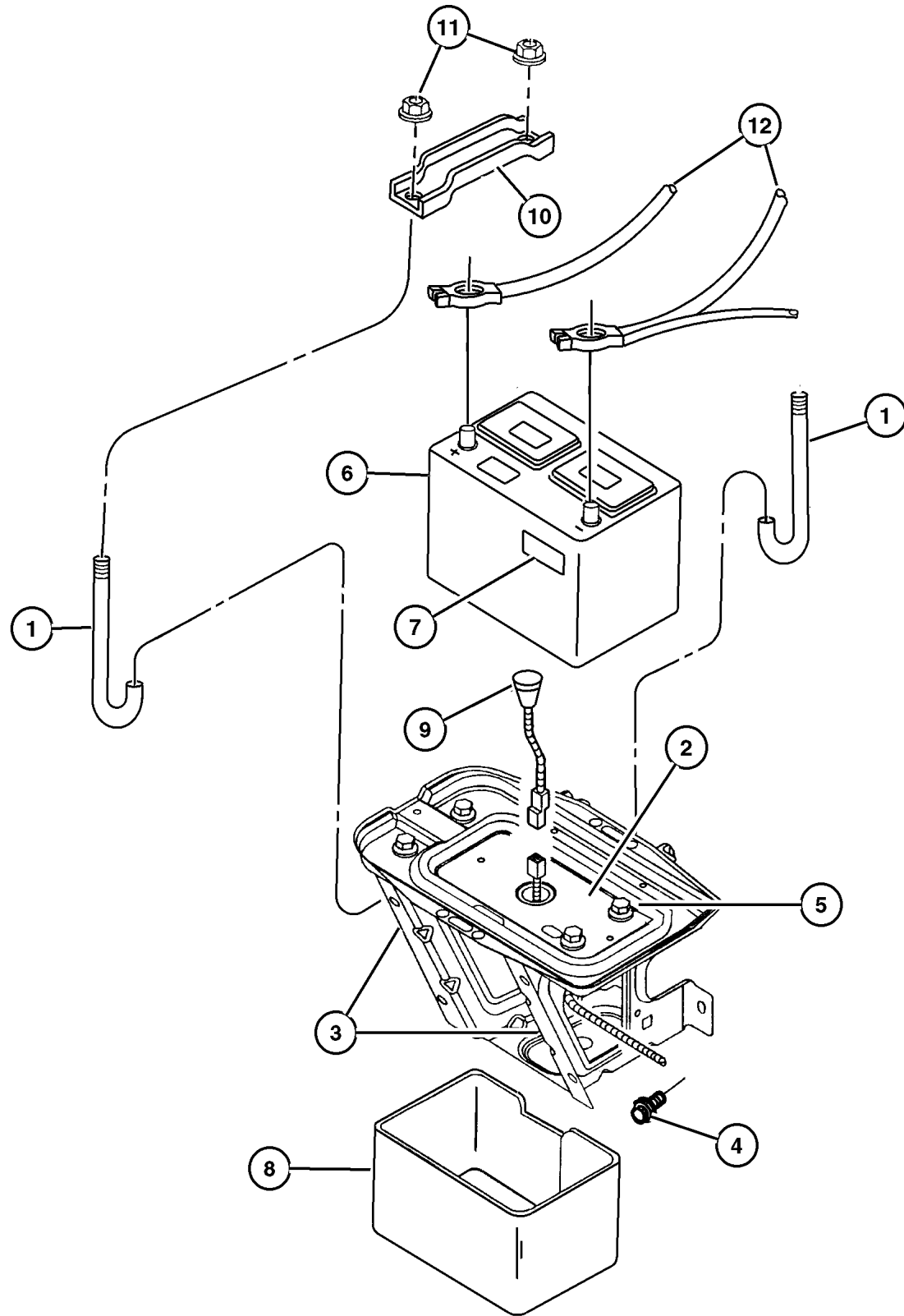
JEEP WRANGLER (TJ)

SERIES	LINE	BODY	ENGINE	TRANSMISSION
L=Low Line	J = Wrangler 4WD U = Wrangler 4WD (RHD)	77 = 93.4 WB	EPE, EP0 = 2.5L Power Tech ERH, ER0 = 4.0L Power Tech	DGG, DGD = 32RH 3 Spd. Auto. DDQ = 5 Spd. Manual DG0 = All Auto. Trans. DBB =All Manual Trans.

AR = Use as required - = Non illustrated part # = New this model year

June 7, 2002

**Battery Tray & Cables 1999 TJ
Figure 008-1005**



ITEM	PART NUMBER	QTY	LINE	SERIES	BODY	ENGINE	TRANS	DESCRIPTION
EP0=2.5L Engine								
ER0=4.0L Engine								
EN0=2.5L 4 Cylinder Turbo Diesel Engine								
1	5502 6434	2						ROD, Battery, Side Hold Down
2	5517 4728	1						TRAY, Battery
3								REINFORCEMENT, Battery Tray
	5517 4782	1						Right
	5517 4783	1						Left
4	6100 583	4						BOLT AND CONED WASHER, Hex Head, M8x25x20
5	0180 077	1						BOLT, Hex Head, 5/16x18x3/4
6								BATTERY, See MOPAR Battery Catalog, (NOT SERVICED)
7								LABEL, Battery
	4793 062	1				EP0, ER0		
	5604 1046	1						Canada
8	56027 073AB	1				EP0, ER0		COVER, Battery
9	5602 7332	1						SENSOR, Battery Temperature
10	5501 4361	1						BRACKET, Battery Hold Down, Top
11	6025 007	2						NUT AND WASHER, Hex, .312-18
12								WIRING, Battery
	#56041 445AB	1	J			EP0		
	#56041 446AB	1	J			ER0		
	#56041 447AB	1	U			EP0		
	#56041 448AB	1	U			ER0		
-13	55176 426AB	1	J					PROTECTOR, Wiring
-14	4641 780	1						STRAP, Tie

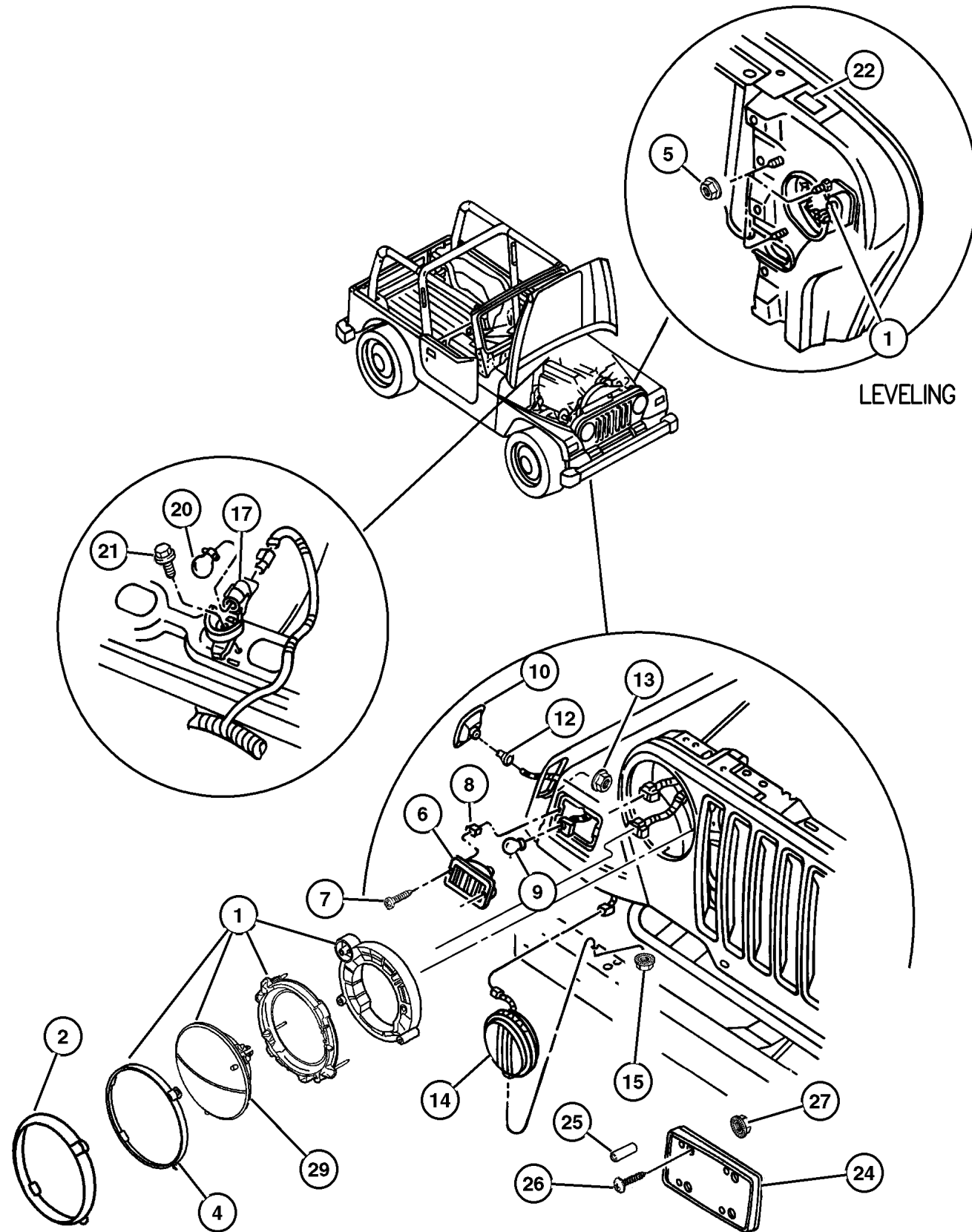
JEEP WRANGLER (TJ)

SERIES	LINE	BODY	ENGINE	TRANSMISSION
L=Low Line	J = Wrangler 4WD U = Wrangler 4WD (RHD)	77 = 93.4 WB	EPE, EP0 = 2.5L Power Tech ERH, ER0 = 4.0L Power Tech	DGG, DGD = 32RH 3 Spd. Auto. DDQ = 5 Spd. Manual DG0 = All Auto. Trans. DBB =All Manual Trans.

AR = Use as required - = Non illustrated part # = New this model year

June 7, 2002

Lamps--Front 1997 TJ
Figure 008-1105



ITEM	PART NUMBER	QTY	LINE	SERIES	BODY	ENGINE	TRANS	DESCRIPTION
1								HEADLAMP
	55055 032AB	1						7' Round, Right
	55055 033AB	1						7' Round, Left
	55055 036AB	1	J					w/o Leveling Device (EUROPE), Right
	55055 037AB	1	J					w/o Leveling Device (EUROPE), Left
	55055 038AB	1	U					w/o Leveling Device (EUROPE), Right
	55055 039AB	1	U					w/o Leveling Device (EUROPE), Left
	55055 040AB	1	J					w/Leveling Device (SOUTH AFRICA), Right
	55055 041AB	1	J					w/Leveling Device (SOUTH AFRICA), Left
	55055 250AB	1	U					w/Leveling Device (SOUTH AFRICA), Right
	55055 251AB	1	U					w/Leveling Device (SOUTH AFRICA), Left
2								BEZEL, Headlamp
	5505 5046	1						Chrome, Right
	5505 5047	1						Chrome, Left
-3								HEADLAMP
	4874 379	1	J		77			(SOUTH AFRICA
	4874 380	1	U		77			(SOUTH AFRICA, Mandatory (
								FINLAND, GERMANY, SOUTH AFRICA, UNITED KINGDOM), Mandatory (FINLAND, GERMANY, SOUTH AFRICA, UNITED KINGDOM)
	L0HJ 6024	1						Seal Beam (H6024)
4	4874 378	1						RETAINER, Headlamp Bulb, Headlamp Retaining
5								NUT AND WASHER, Hex, M5x.80
	6101 443	6	J		77			
		6	U		77			
6	55055 020AC	2						LAMP, Park and Turn Signal, Park & Turn Signal
7	6035 977AA	4						SCREW, Tapping, .164-18x.625, Headlamp Bezel mounting
8	J400 0141	4						NUT, Square, .286x.355, Headlamp Bezel mounting
9	L000 3157	2						BULB, 3157
10								LAMP, Side Marker
	55155 628AB	1						Use Socket & Wiring Assembly 04450824 (Repair), Right
	55155 629AB	1						Use Socket & Wiring Assembly 04450824 (Repair), Left
-11								LAMP, Side Repeater

JEEP WRANGLER (TJ)

SERIES
L=Low Line

LINE
J = Wrangler 4WD
U = Wrangler 4WD (RHD)

BODY
77 = 93.4 WB

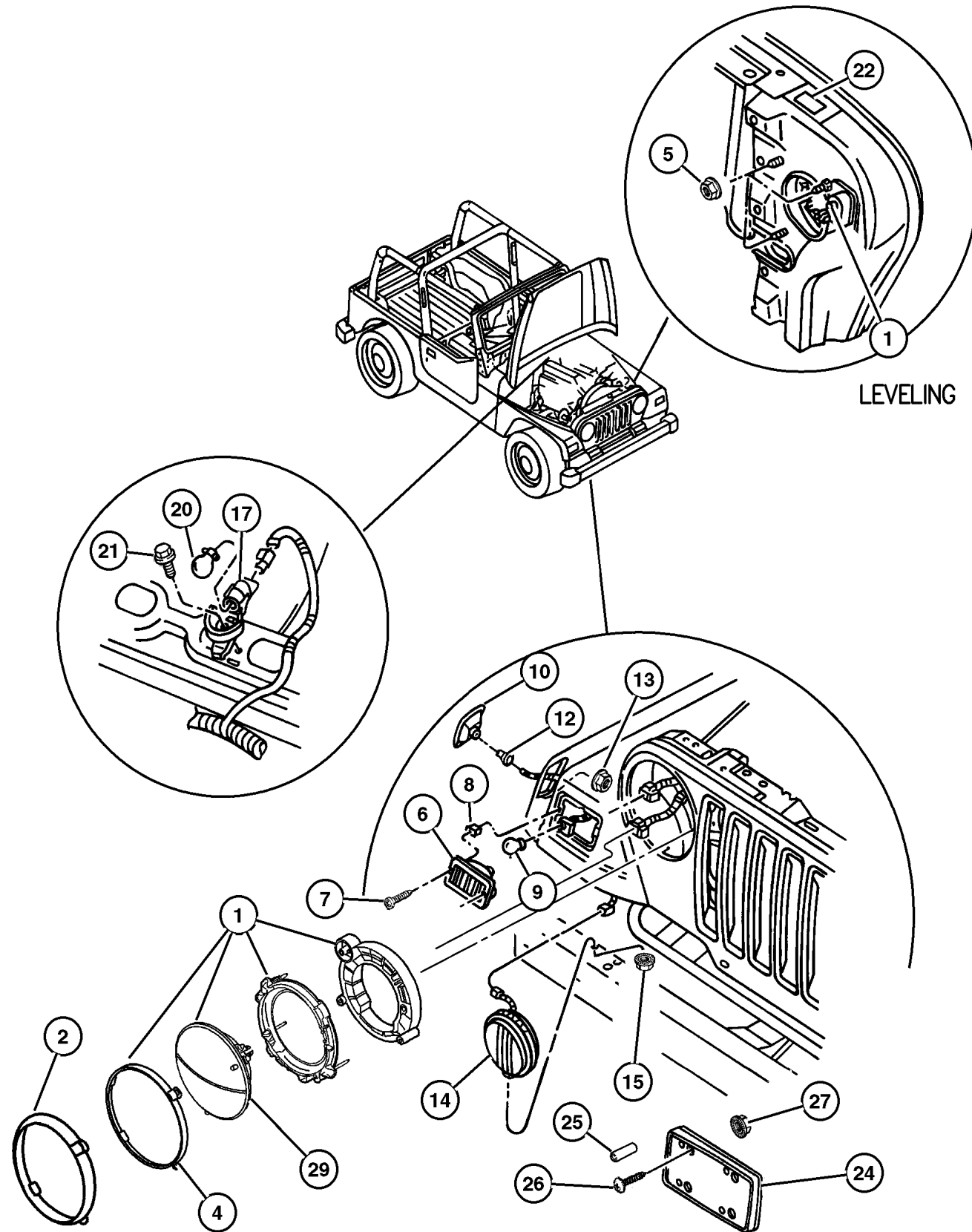
ENGINE
EPE, EP0 = 2.5L Power Tech
ERH, ER0 = 4.0L Power Tech

TRANSMISSION
DGG, DGD = 32RH 3 Spd. Auto.
DDQ = 5 Spd. Manual
DGO = All Auto. Trans.
DBB =All Manual Trans.

AR = Use as required - = Non illustrated part # = New this model year

June 7, 2002

Lamps--Front 1997 TJ
Figure 008-1105



LEVELING

ITEM	PART NUMBER	QTY	LINE	SERIES	BODY	ENGINE	TRANS	DESCRIPTION
	55155 460AB	1						Right
	55155 461AB	1						Left
12	0153 624	2						BULB, W3W
13								NUT, (NOT SERVICED)
14	5505 5095	2						LAMP, Fog, Fog (Black) ***
15	6100 052	1						NUT AND WASHER, Hex, M8x1.25
-16	4864 773	1						RETAINER, Fog Lamp Bulb, Fog Lamp Retainer
17	4741 498	1						LAMP, Underhood
-18	5600 6867	1						SHIELD, Underhood Lamp, Underhood Lamp (1997)
-19								LENS, Lamp Module, (NOT SERVICED)
20	L000 1003	1						BULB, 561
21								SCREW, [.190-16x.625] , (NOT SERVICED)
22	5263 188	1						LABEL, Headlamp Leveling, h/Lamp Leveling System (AUSTRALIA, SOUTH AFRICA, SOUTH KOREA, UNITED KINGDOM, UNITED KINGDOM MARKET PACKAGE), Mandatory (FINLAND, GERMANY, SOUTH AFRICA, UNITED KINGDOM), Mandatory (FINLAND, GERMANY, SOUTH AFRICA, UNITED KINGDOM)
-23								ACTUATOR, Headlamp
	4874 382	1	J		77			Headlamp Leveling, EXPORT, Mandatory (FINLAND, GERMANY, SOUTH AFRICA, UNITED KINGDOM), Mandatory (FINLAND, GERMANY, SOUTH AFRICA, UNITED KINGDOM)
		1	U		77			Headlamp Leveling, EXPORT, Mandatory (FINLAND, GERMANY, SOUTH AFRICA, UNITED KINGDOM), Mandatory (FINLAND, GERMANY, SOUTH AFRICA, UNITED KINGDOM)
24	5515 5193	1						BRACKET, License Plate, EUROPE
25	6030 441	3				EPO, ERO		PIN, Retainer
26								SCREW, M6X1.00X16.00, (NOT SERVICED)
27								NUT, M6x1.00, (NOT SERVICED)
-28	5601 7442	1						WIRING, Courtesy Lamp

JEEP WRANGLER (TJ)

SERIES
L=Low Line

LINE
J = Wrangler 4WD
U = Wrangler 4WD (RHD)

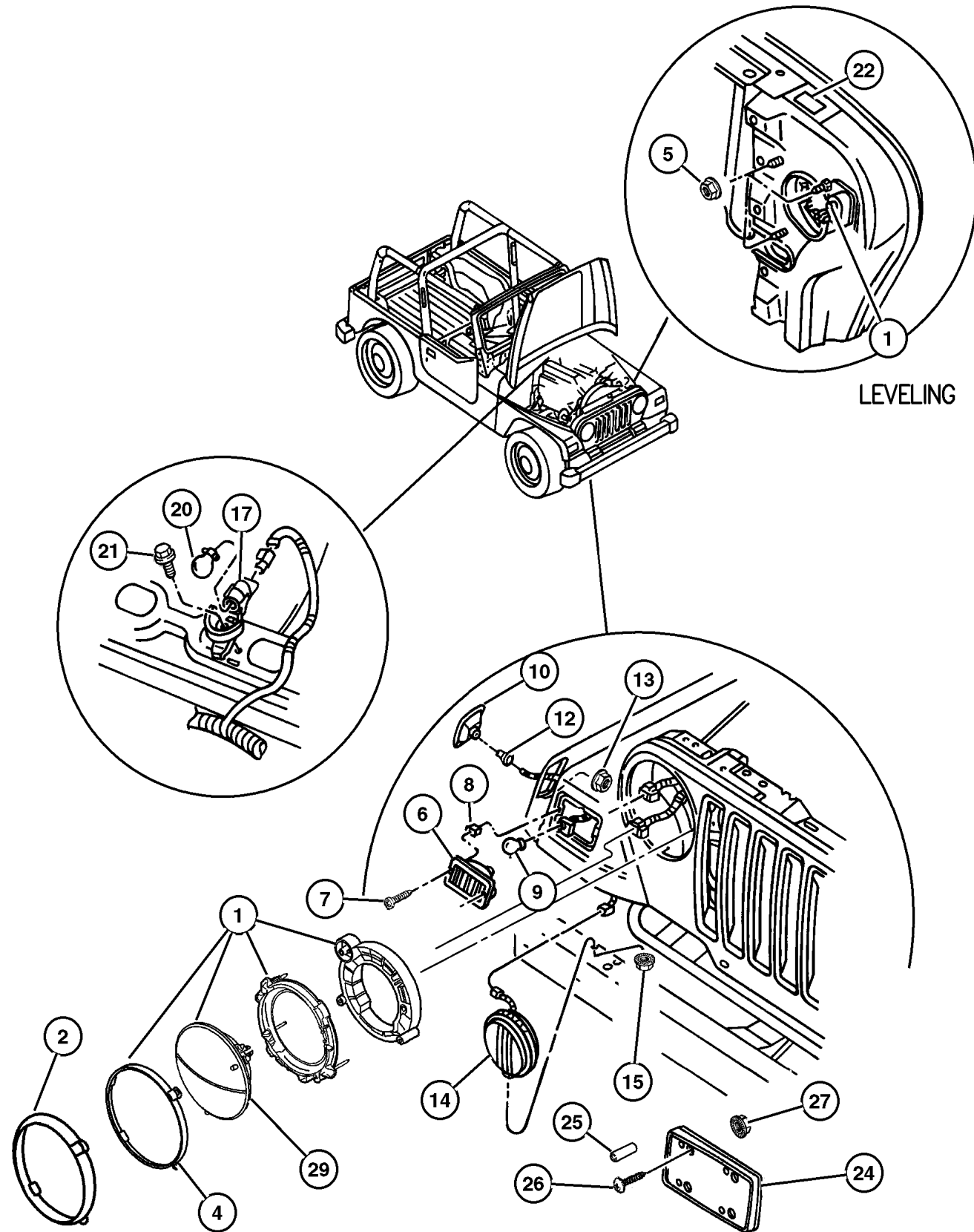
BODY
77 = 93.4 WB

ENGINE
EPE, EP0 = 2.5L Power Tech
ERH, ER0 = 4.0L Power Tech

TRANSMISSION
DGG, DGD = 32RH 3 Spd. Auto.
DDQ = 5 Spd. Manual
DGO = All Auto. Trans.
DBB =All Manual Trans.

Lamps--Front 1997 TJ
Figure 008-1105

ITEM	PART NUMBER	QTY	LINE	SERIES	BODY	ENGINE	TRANS	DESCRIPTION
29	L0HJ 6024	1						HEADLAMP



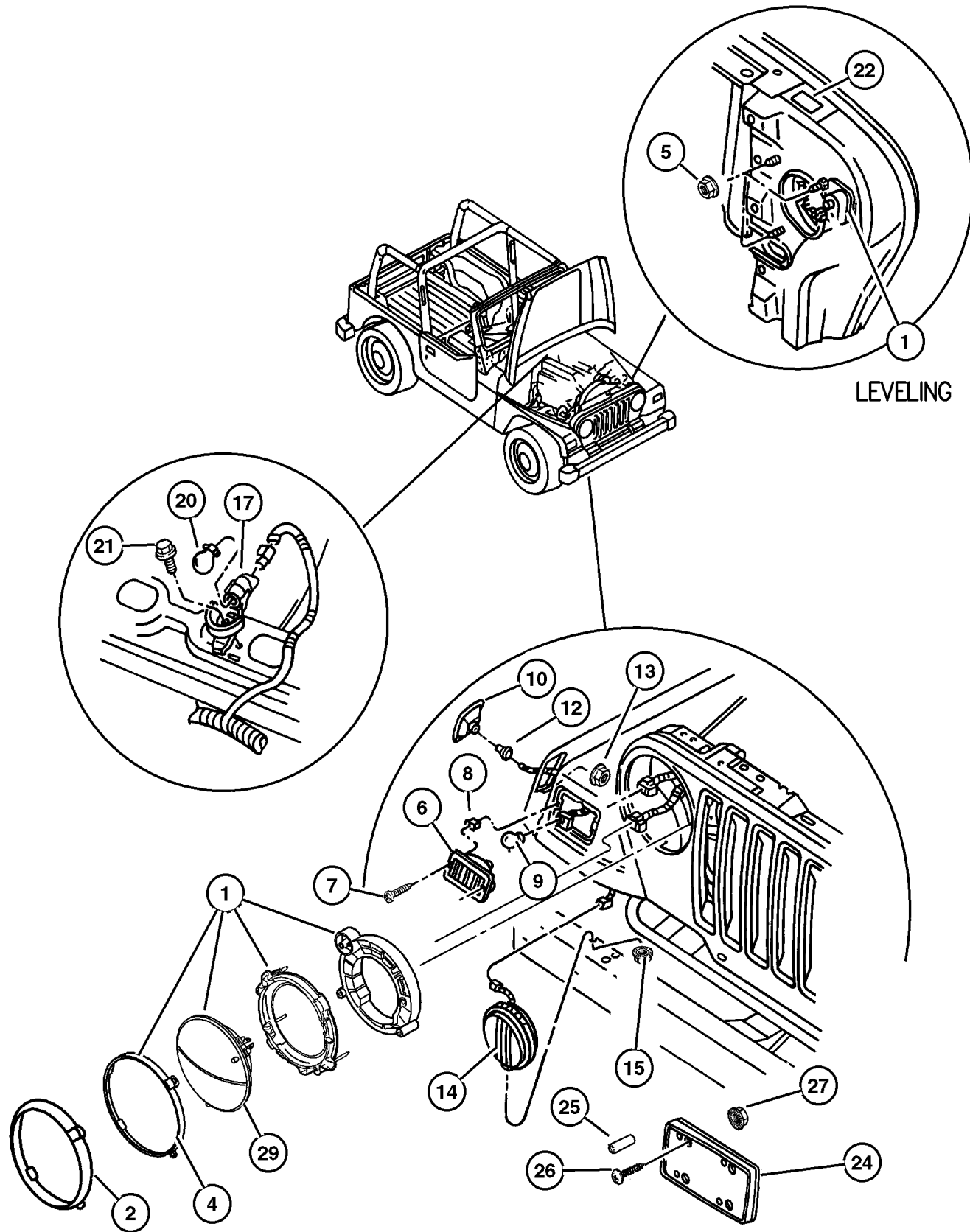
JEEP WRANGLER (TJ)

SERIES	LINE	BODY	ENGINE	TRANSMISSION
L=Low Line	J = Wrangler 4WD U = Wrangler 4WD (RHD)	77 = 93.4 WB	EPE, EP0 = 2.5L Power Tech ERH, ER0 = 4.0L Power Tech	DGG, DGD = 32RH 3 Spd. Auto. DDQ = 5 Spd. Manual DG0 = All Auto. Trans. DBB =All Manual Trans.

AR = Use as required - = Non illustrated part # = New this model year

June 7, 2002

Lamps--Front 1998 TJ
Figure 008-1105



ITEM	PART NUMBER	QTY	LINE	SERIES	BODY	ENGINE	TRANS	DESCRIPTION
EP0=2.5L Engine								
ER0=4.0L Engine								
1								HEADLAMP
	55055 032AB	1						7' Round, Right
	55055 033AB	1						7' Round, Left
	55055 036AB	1	J					w/o Leveling Device (EUROPE), Right
	55055 037AB	1	J					w/o Leveling Device (EUROPE), Left
	55055 038AB	1	U					w/o Leveling Device (EUROPE), Right
	55055 039AB	1	U					w/o Leveling Device (EUROPE), Left
	55055 040AB	1	J					w/Leveling Device (SOUTH AFRICA), Right
	55055 041AB	1	J					w/Leveling Device (SOUTH AFRICA), Left
	55055 250AB	1	U					w/Leveling Device (SOUTH AFRICA), Right
	55055 251AB	1	U					w/Leveling Device (SOUTH AFRICA), Left
2								BEZEL, Headlamp
	5505 5046	1						Chrome, Right
	5505 5047	1						Chrome, Left
-3								HEADLAMP
	4874 379	1	J					(SOUTH AFRICA)
	4874 380	1	U					(SOUTH AFRICA)
4	4874 378	1						RETAINER, Headlamp Bulb
5	6101 443	6						NUT AND WASHER, Hex, M5x.80
6	55055 020AC	2						LAMP, Park and Turn Signal, Park & Turn Signal
7	6035 977AA	4						SCREW, Tapping, .164-18x.625, Headlamp Bezel mounting
8	J400 0141	4						NUT, Square, .286x.355, Headlamp Bezel mounting
9	0154 851AA	2						BULB, 3157
10								LAMP, Side Marker
	55155 628AB	1						Right
	55155 629AB	1						Left
-11								LAMP, Side Repeater
	55155 460AB	1						(EUROPE), Right
	55155 461AB	1						(EUROPE), Left
12	L000 0168	2						BULB, W3W
13								NUT, (NOT SERVICED)
14	55055 095AB	2						LAMP, Fog, Fog (Black)
15	6100 052	2						NUT AND WASHER, Hex, M8x1.25
-16	4864 773	2						RETAINER, Fog Lamp Bulb
17	5602 1441	1						LAMP, Underhood

JEEP WRANGLER (TJ)

SERIES
L=Low Line

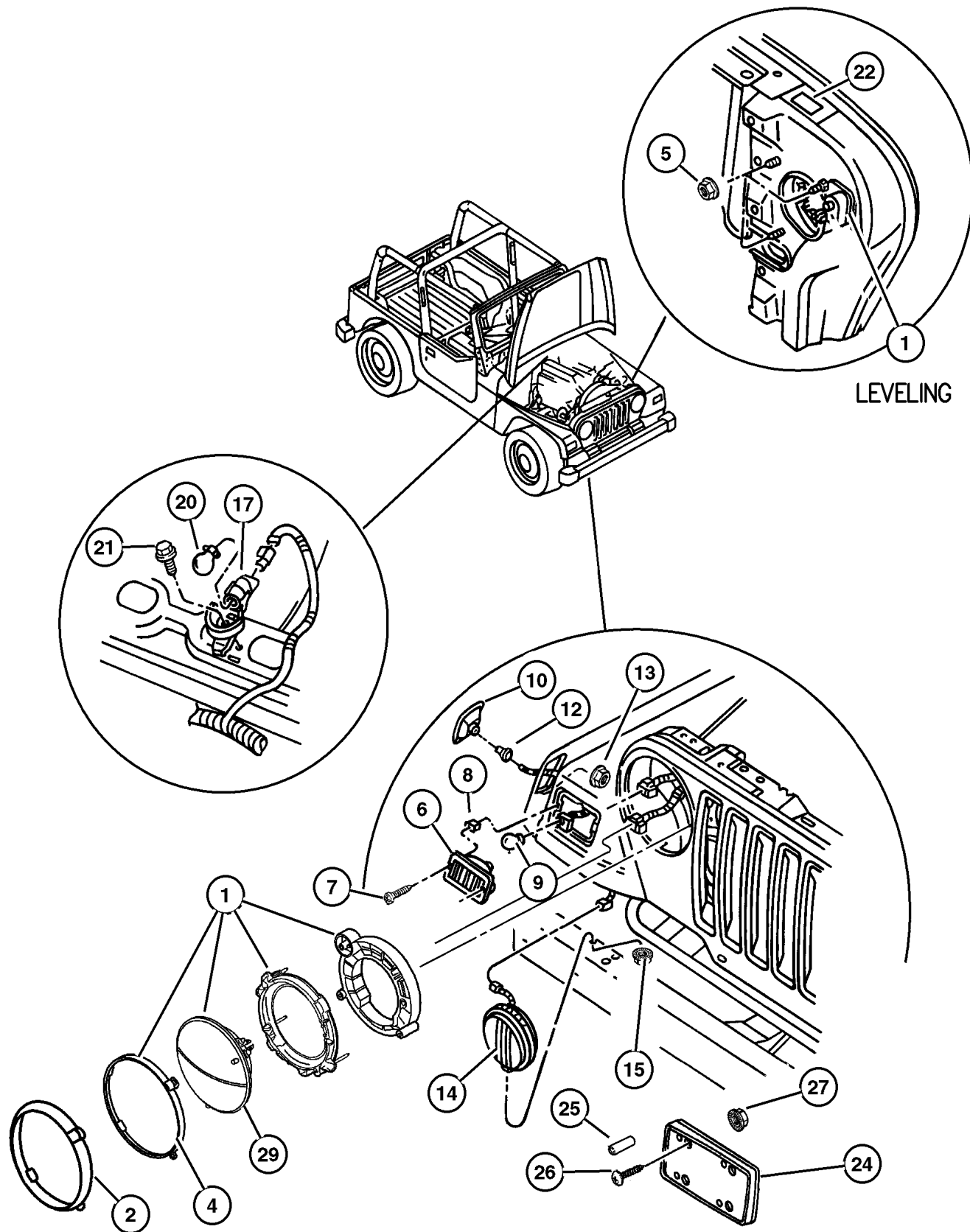
LINE
J = Wrangler 4WD
U = Wrangler 4WD (RHD)

BODY
77 = 93.4 WB

ENGINE
EPE, EP0 = 2.5L Power Tech
ERH, ER0 = 4.0L Power Tech

TRANSMISSION
DGG, DGD = 32RH 3 Spd. Auto.
DDQ = 5 Spd. Manual
DG0 = All Auto. Trans.
DBB =All Manual Trans.

Lamps--Front 1998 TJ
Figure 008-1105



ITEM	PART NUMBER	QTY	LINE	SERIES	BODY	ENGINE	TRANS	DESCRIPTION
-18								SHIELD, Underhood Lamp, (NOT REQUIRED)
-19								LENS, Lamp Module, (NOT SERVICED)
20	L000 0561	1						BULB, 561
21								SCREW, [0.190-16x.625] , (NOT SERVICED)
22	5263 188	1						LABEL, Headlamp Leveling, h/Lamp Leveling System (AUSTRALIA, SOUTH AFRICA, SOUTH KOREA, UNITED KINGDOM, UNITED KINGDOM MARKET PACKAGE), Mandatory (SOUTH AFRICA), Mandatory (SOUTH AFRICA)
-23	4874 382	1	J					ACTUATOR, Headlamp, Mandatory (SOUTH AFRICA), Mandatory (SOUTH AFRICA)
24	55155 764AB	1						BRACKET, License Plate
25	6030 441	3				EPO, ERO		PIN, Retainer
26								SCREW, M6X1.00X16.00, (NOT SERVICED)
27								NUT, M6x1.00, (NOT SERVICED)
-28	5601 7442	1						WIRING, Courtesy Lamp
29	LOHJ 6024	1						HEADLAMP

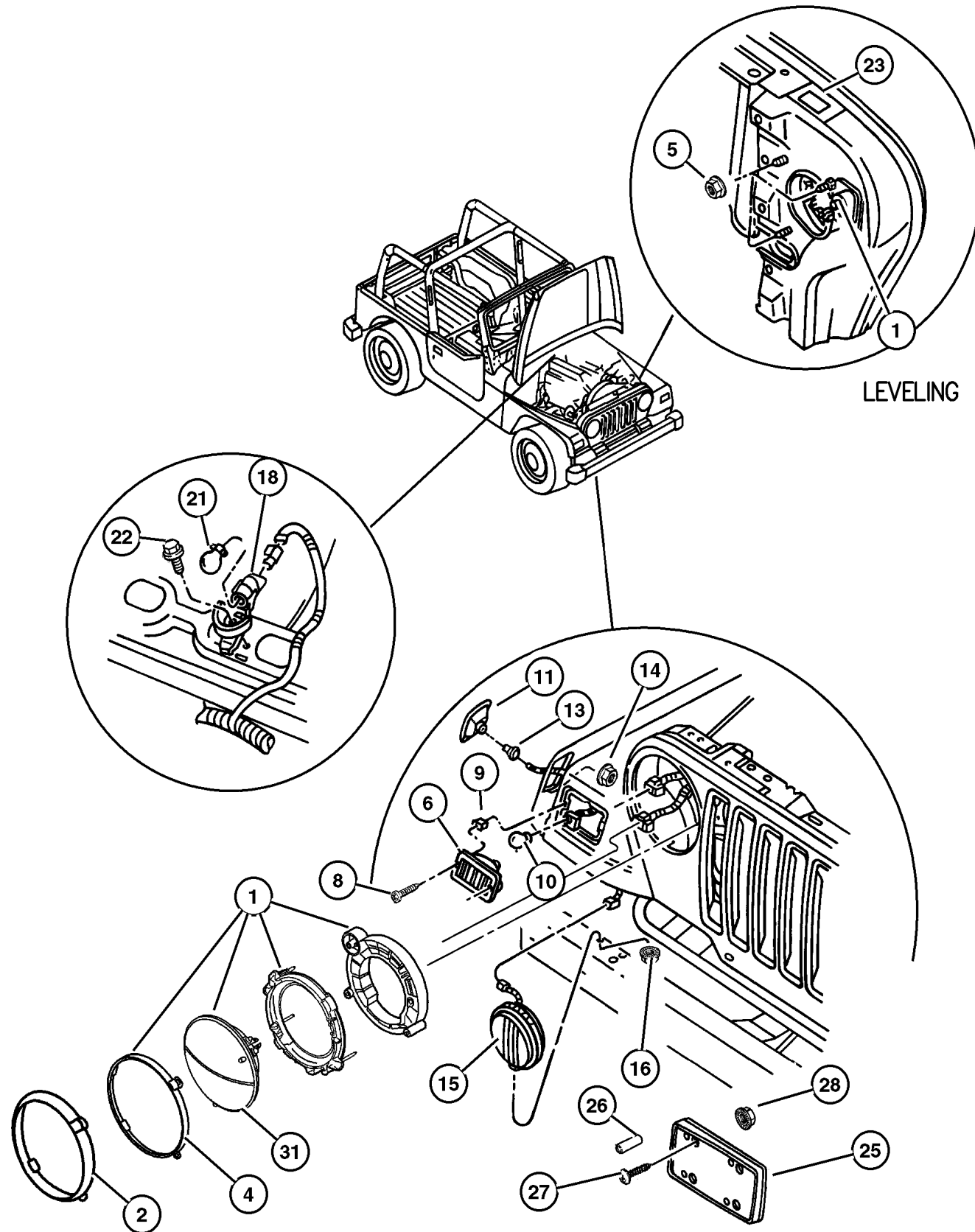
JEEP WRANGLER (TJ)

SERIES	LINE	BODY	ENGINE	TRANSMISSION
L=Low Line	J = Wrangler 4WD U = Wrangler 4WD (RHD)	77 = 93.4 WB	EPE, EP0 = 2.5L Power Tech ERH, ER0 = 4.0L Power Tech	DGG, DGD = 32RH 3 Spd. Auto. DDQ = 5 Spd. Manual DG0 = All Auto. Trans. DBB =All Manual Trans.

AR = Use as required - = Non illustrated part # = New this model year

June 7, 2002

Lamps--Front 1999 TJ
Figure 008-1105



ITEM	PART NUMBER	QTY	LINE	SERIES	BODY	ENGINE	TRANS	DESCRIPTION
EP0=2.5L Engine								
ER0=4.0L Engine								
1	55055 032AB	1						HEADLAMP 7' Round, Right
	55055 033AB	1						7' Round, Left
2	5505 5046	1						BEZEL, Headlamp Chrome, Right
	5505 5047	1						Chrome, Left
-3	4874 380	1	U					HEADLAMP, (SOUTH AFRICA)
4	4874 378	1						RETAINER, Headlamp Bulb
5	6101 443	6						NUT AND WASHER, Hex, M5x.80
6	55055 020AC	2						LAMP, Park and Turn Signal, Park & Turn Signal
-7	4399 900	2						SOCKET, Park, Turn, and Side Lamp
8	6035 977AA	4						SCREW, Tapping, .164-18x.625, Headlamp Bezel mounting
9	J400 0141	4						NUT, Square, .286x.355, Headlamp Bezel mounting
10	0154 851AA	2						BULB, 3157
11	55155 628AB	1						LAMP, Side Marker Right
	55155 629AB	1						Left
-12	55155 460AB	1						LAMP, Side Repeater Right
	55155 461AB	1						Left
13	0153 624	2						BULB, W3W, (Side Repeater)
14								NUT, (NOT SERVICED)
15	#55055 095AC	2						LAMP, Fog
16	6100 052	2						NUT AND WASHER, Hex, M8x1.25
-17	4864 773	2						RETAINER, Fog Lamp Bulb
18	5602 1441	1						LAMP, Underhood
-19								SHIELD, Underhood Lamp, (NOT REQUIRED)
-20								LENS, Lamp Module, (NOT SERVICED)
21	L000 0561	1						BULB, 561
22								SCREW, [.190-16x.625] , (NOT SERVICED)
23	5263 188	1						LABEL, Headlamp Leveling, h/Lamp Leveling System (AUSTRALIA, SOUTH AFRICA, SOUTH KOREA, UNITED KINGDOM, UNITED KINGDOM MARKET PACKAGE)
-24	4874 382	1	J					ACTUATOR, Headlamp
25	55155 764AB	1						BRACKET, License Plate, Export

JEEP WRANGLER (TJ)

SERIES
L=Low Line

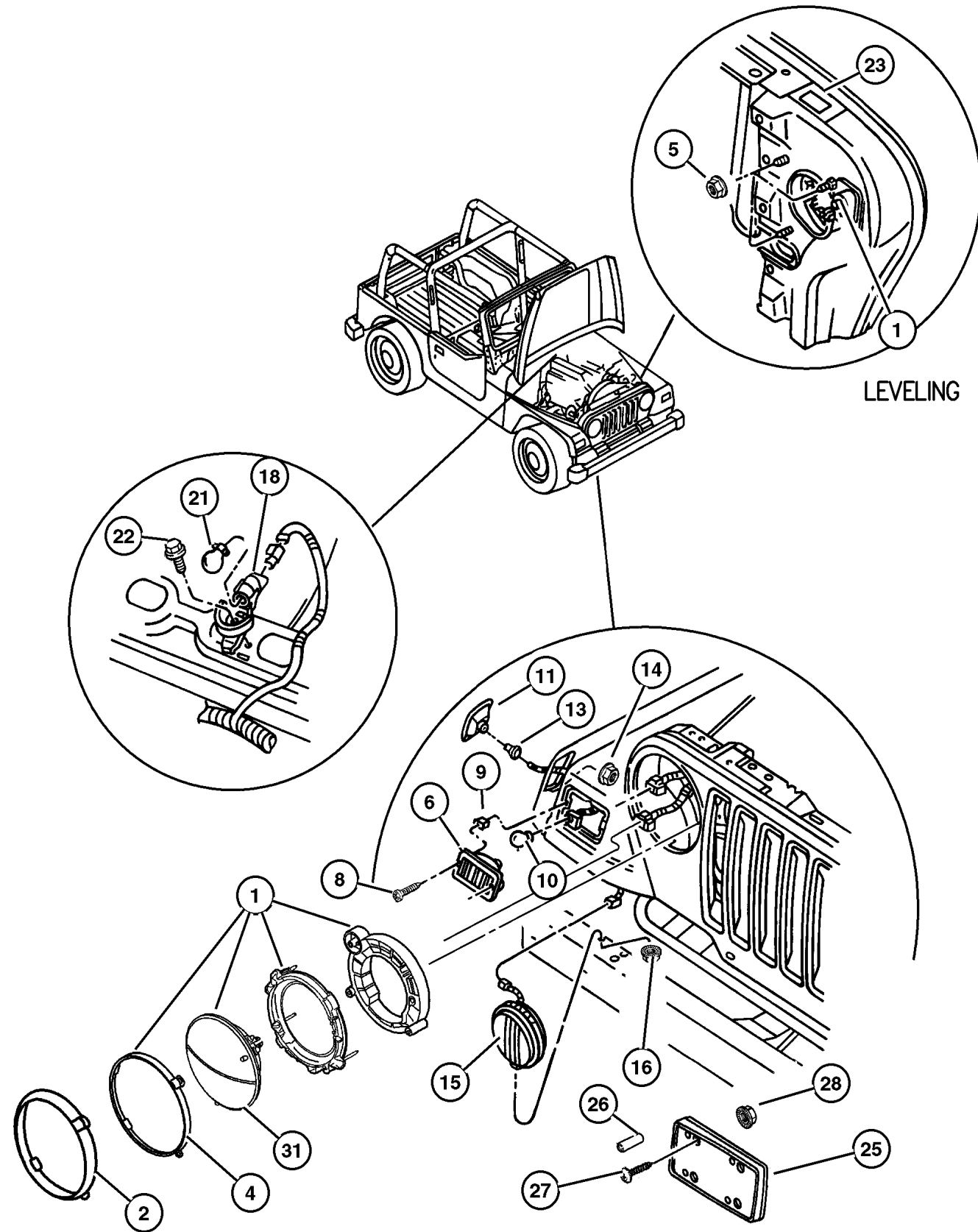
LINE
J = Wrangler 4WD
U = Wrangler 4WD (RHD)

BODY
77 = 93.4 WB

ENGINE
EPE, EP0 = 2.5L Power Tech
ERH, ER0 = 4.0L Power Tech

TRANSMISSION
DGG, DGD = 32RH 3 Spd. Auto.
DDQ = 5 Spd. Manual
DG0 = All Auto. Trans.
DBB =All Manual Trans.

Lamps--Front 1999 TJ
Figure 008-1105



ITEM	PART NUMBER	QTY	LINE	SERIES	BODY	ENGINE	TRANS	DESCRIPTION
26	6030 441	3				EPO, ERO		PIN, Retainer
27								SCREW, M6X1.00X16.00, (NOT SERVICED)
28								NUT, M6x1.00, (NOT SERVICED)
-29	#56042 559AA	1						LAMP, Courtesy, I/Panel Harness
-30	4863 839	1						CONNECTOR PACKAGE, Beam Select Switch
31	L0HJ 6024	1						HEADLAMP, Seal Beam (H6024)

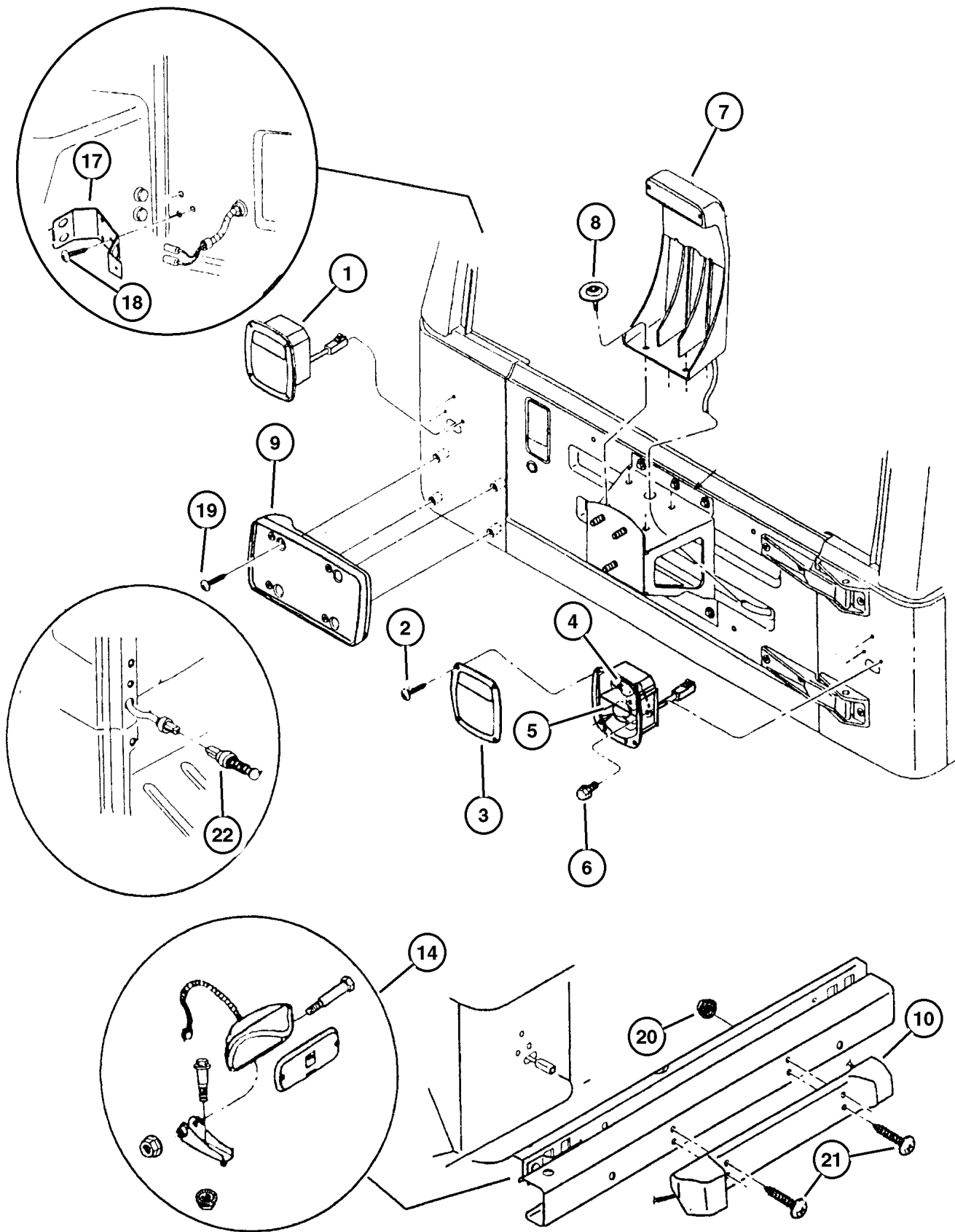
JEEP WRANGLER (TJ)

SERIES	LINE	BODY	ENGINE	TRANSMISSION
L=Low Line	J = Wrangler 4WD U = Wrangler 4WD (RHD)	77 = 93.4 WB	EPE, EP0 = 2.5L Power Tech ERH, ER0 = 4.0L Power Tech	DGG, DGD = 32RH 3 Spd. Auto. DDQ = 5 Spd. Manual DG0 = All Auto. Trans. DBB =All Manual Trans.

AR = Use as required - = Non illustrated part # = New this model year

June 7, 2002

Lamps--Rear 1997 TJ
Figure 008-1110



ITEM	PART NUMBER	QTY	LINE	SERIES	BODY	ENGINE	TRANS	DESCRIPTION
1								LAMP, Tail Stop Turn
	5515 5624	2						EUROPE
	5601 8648	1						USA/CANADA, Right
	5601 8649	1						USA/CANADA, Left
2								SCREW, .164-18x.625, (NOT SERVICED)
3								LENS, Taillamp
	4856 459	2						EUROPRE (E-Mark)
	5600 6514	1						
4	L000 1156	1						BULB, 1156, Tail Lamp (Back-Up Single Dual Filament)
5	L000 2057	1						BULB, 2057, Tail Lamp (Stop & Turn Dual Filament)
6								SCREW/WASHER, (NOT SERVICED)
7	5505 5280	1						LAMP, High Mounted Stop, Hi-Mtd. Stop
8								SCREW AND WASHER, Hex Head, .312-18x1.00, (NOT SERVICED)
9	5517 4994	1						BRACKET, License Plate
10	5517 5106	1						BRACKET, LICENSE Mounting, License Lamp & Plate Mounting (Export)
-11	5505 5278	2						LAMP, License
-12	L000 0168	2						BULB, W10/5
-13	5515 5619	2						LENS, Ash Receiver Lamp, L/Gate Handle License Lamp (EUROPE)
14	5505 5273	1						LAMP, Fog, Rear Fog (Red) (Export)
-15	0153 622	1						BULB, P-25-1
-16	4864 772	1						LENS, Fog Lamp, Rear Fog Lamp, Red, EXPORT
17	5600 9056	1						CLAMP, Contact Button, CHMSL Contact Button
18	0154 631	3						SCREW, Pan Head, .190-16x.5
19								SCREW, M6x1x20, (NOT SERVICED)
20								NUT, M6x1.00, (NOT SERVICED)
21								SCREW, M6X1.00X16.00, (NOT SERVICED)
22	4687 558	2						SWITCH, Door Ajar

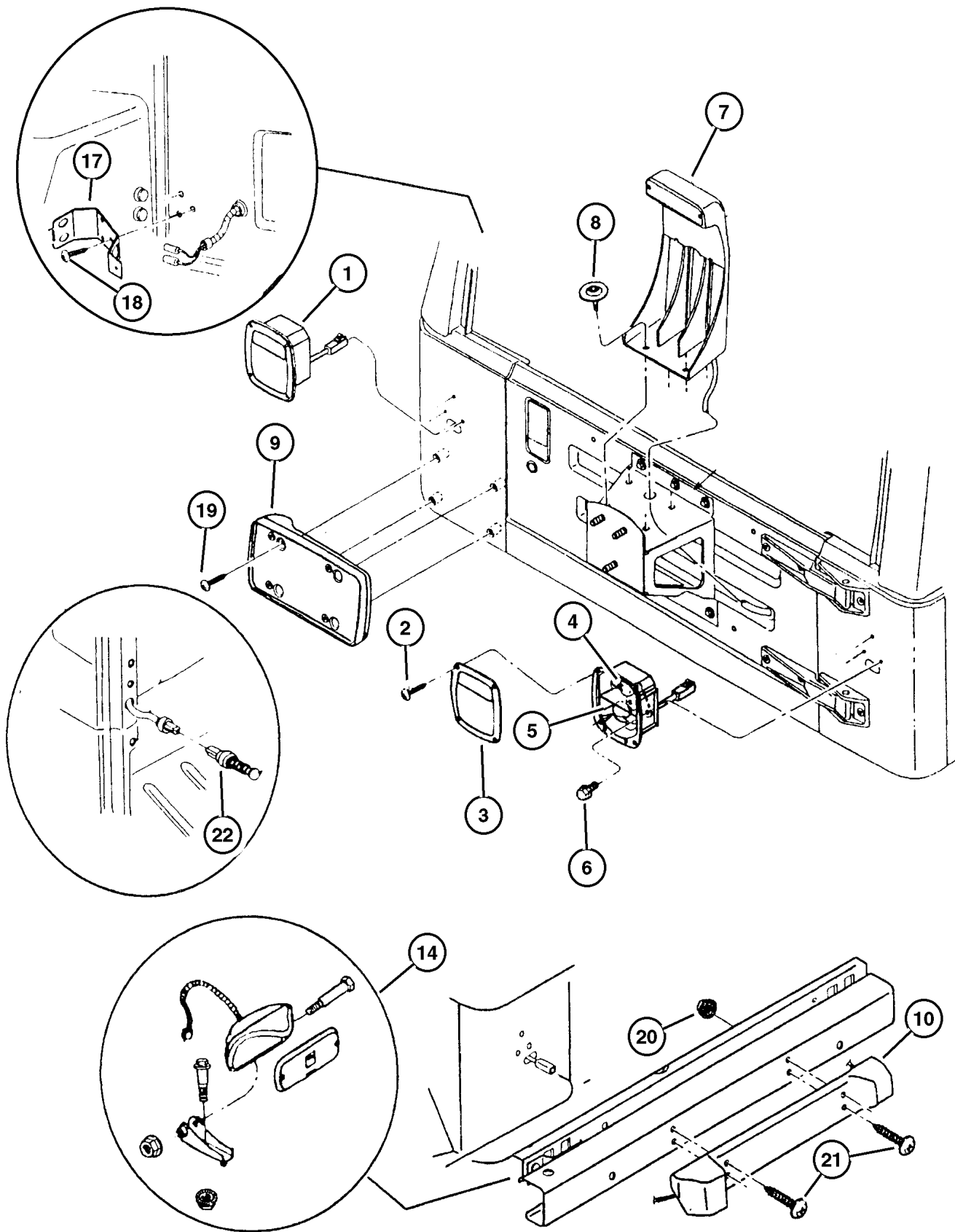
JEEP WRANGLER (TJ)

SERIES	LINE	BODY	ENGINE	TRANSMISSION
L=Low Line	J = Wrangler 4WD U = Wrangler 4WD (RHD)	77 = 93.4 WB	EPE, EP0 = 2.5L Power Tech ERH, ER0 = 4.0L Power Tech	DGG, DGD = 32RH 3 Spd. Auto. DDQ = 5 Spd. Manual DG0 = All Auto. Trans. DBB =All Manual Trans.

AR = Use as required - = Non illustrated part # = New this model year

June 7, 2002

Lamps--Rear 1998 TJ
Figure 008-1110



ITEM	PART NUMBER	QTY	LINE	SERIES	BODY	ENGINE	TRANS	DESCRIPTION
1								LAMP, Tail Stop Turn
	56018 648AB	1						Right
	56018 649AB	1						Left
2								SCREW, .164-18x.625, (NOT SERVICED)
3								LENS, Taillamp
	4856 459	2						Export
	5600 6514	1						Except Export
4	L000 1156	1						BULB, 1156, Tail Lamp (Back-Up Single Filament)
5	L000 2057	2						BULB, 2057, Tail Lamp (Stop & Turn Dual Filament)
6								SCREW/WASHER, (NOT SERVICED)
7	5505 5280	1						LAMP, High Mounted Stop, Hi-Mtd. Stop
8								SCREW AND WASHER, Hex Head, .312-18x1.00, (NOT SERVICED)
9	5517 4994	1						BRACKET, License Plate
10	55175 106AB	1						BRACKET, LICENSE Mounting, (EUROPE)
-11	5505 5278	2						LAMP, License
-12	L000 0168	2						BULB, W10/5
-13	5515 5619	2						LENS, Ash Receiver Lamp
14								LAMP, Fog
	55055 095AB	2						Rear Fog (Red) (Export)
	5505 5273	1						
-15	0153 622	1						BULB, P-25-1
-16	4864 772	1						LENS, Fog Lamp, Rear Fog Lamp, Red, EXPORT
17	5600 9056	1						CLAMP, Contact Button
18	0154 631	3						SCREW, Pan Head, .190-16x.5
19								SCREW, M6x1x20, (NOT SERVICED)
20								NUT, M6x1.00, (NOT SERVICED)
21								SCREW, M6X1.00X16.00, (NOT SERVICED)
22	4687 558	2						SWITCH, Door Ajar

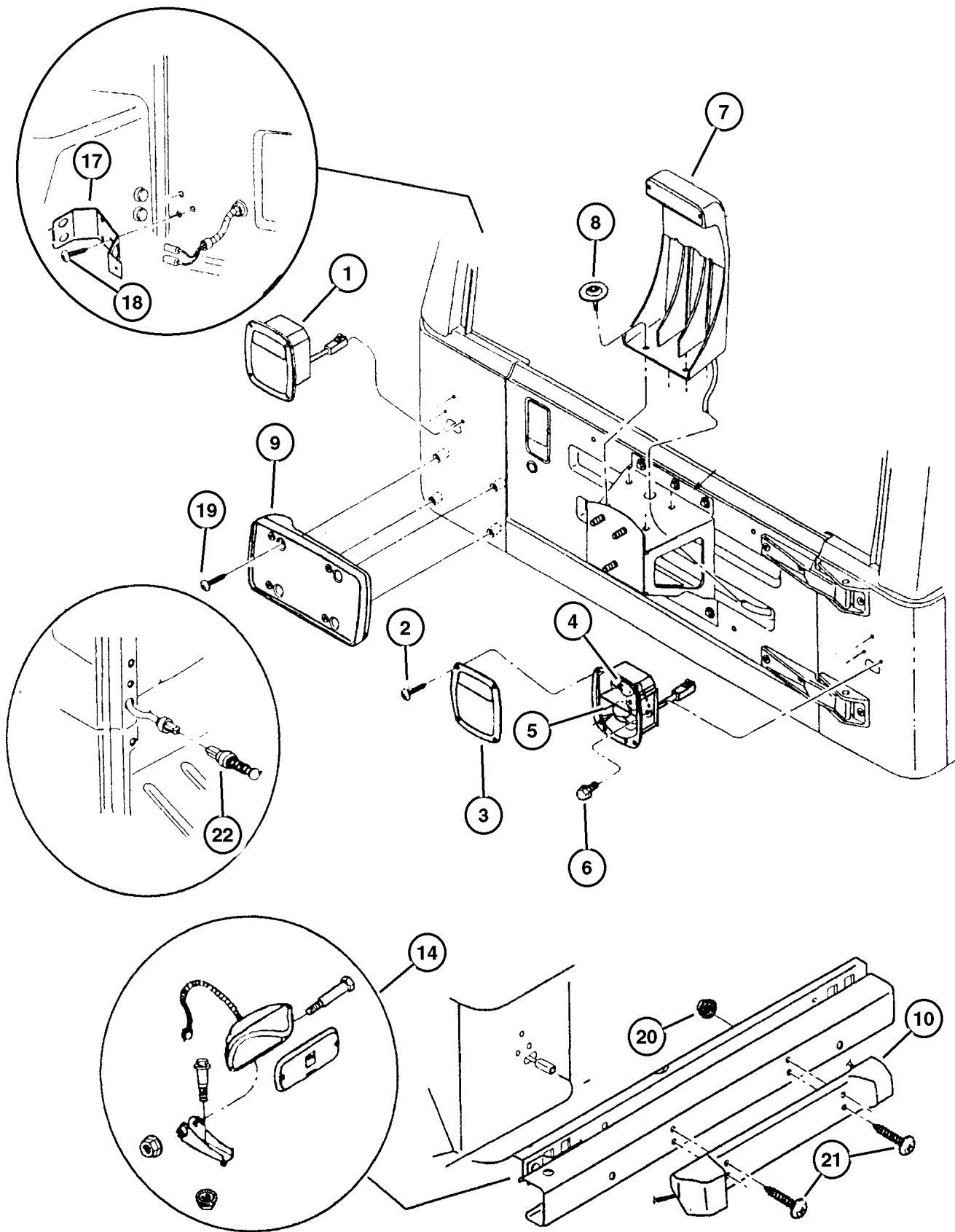
JEEP WRANGLER (TJ)

SERIES	LINE	BODY	ENGINE	TRANSMISSION
L=Low Line	J = Wrangler 4WD U = Wrangler 4WD (RHD)	77 = 93.4 WB	EPE, EP0 = 2.5L Power Tech ERH, ER0 = 4.0L Power Tech	DGG, DGD = 32RH 3 Spd. Auto. DDQ = 5 Spd. Manual DG0 = All Auto. Trans. DBB =All Manual Trans.

AR = Use as required - = Non illustrated part # = New this model year

June 7, 2002

Lamps--Rear 1999 TJ
Figure 008-1110



ITEM	PART NUMBER	QTY	LINE	SERIES	BODY	ENGINE	TRANS	DESCRIPTION
1								LAMP, Tail Stop Turn
	55155 624AB	2						EUROPE
	#56018 648AC	1						Right
	#56018 649AC	1						Left
2								SCREW, .164-18x.625, (NOT SERVICED)
3								LENS, Taillamp
	4856 459	2						Export
	5600 6514	1						Except Export
4	L000 1156	1						BULB, 1156, Tail Lamp Back-Up (Single Filament)
5	L000 2057	1						BULB, 2057, Tail Lamp Stop & Turn (Double Filament)
6								SCREW/WASHER, (NOT SERVICED)
7	55055 280AB	1						LAMP, High Mounted Stop
8								SCREW AND WASHER, Hex Head, .312-18x1.00, (NOT SERVICED)
9	5517 4994	1						BRACKET, License Plate
10	55175 106AB	1						BRACKET, LICENSE Mounting, (EUROPE)
-11	5505 5278	2						LAMP, License
-12	0153 625	2						BULB, W10/5
-13	5515 5619	2						LENS, Ash Receiver Lamp
14	55055 095AB	2						LAMP, Fog
-15	0153 622	1						BULB, P-25-1
-16	4864 772	1						LENS, Fog Lamp, Rear Fog Lamp, Red, EXPORT
17	5600 9056	1						CLAMP, Contact Button
18	0154 631	3						SCREW, Pan Head, .190-16x.5
19								SCREW, M6x1x20, (NOT SERVICED)
20								NUT, M6x1.00, (NOT SERVICED)
21								SCREW, M6X1.00X16.00, (NOT SERVICED)
22	4687 558	2						SWITCH, Door Ajar

JEEP WRANGLER (TJ)

SERIES
L=Low Line

LINE
J = Wrangler 4WD
U = Wrangler 4WD (RHD)

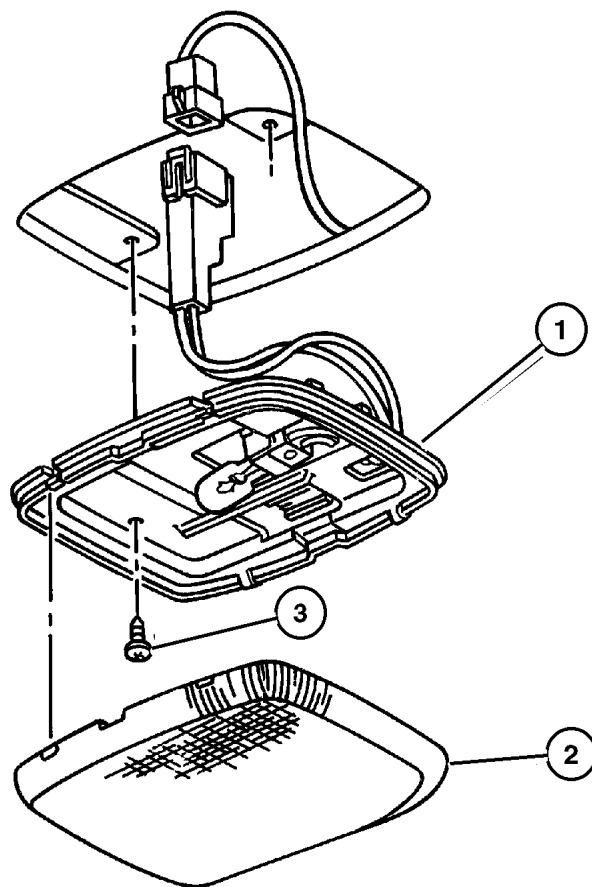
BODY
77 = 93.4 WB

ENGINE
EPE, EP0 = 2.5L Power Tech
ERH, ER0 = 4.0L Power Tech

TRANSMISSION
DGG, DGD = 32RH 3 Spd. Auto.
DDQ = 5 Spd. Manual
DG0 = All Auto. Trans.
DBB =All Manual Trans.

Lamps--Cargo-Dome-Courtesy 1997 TJ
Figure 008-1115

ITEM	PART NUMBER	QTY	LINE	SERIES	BODY	ENGINE	TRANS	DESCRIPTION
1	5600 7264	1						BEZEL, Dome Lamp, Dome Lamp Assy For Sound Bar
2	5600 7265	1						LENS, Dome Lamp, For Dome Lamp in Sound Bar
3								SCREW, (NOT SERVICED)
-4	J095 9978	1						LENS, Dome Lamp, Liftgate Courtesy Lamp
-5	J095 9999	1						HOUSING, Dome and Reading Lamp, Liftgate Courtesy Lamp



JEEP WRANGLER (TJ)

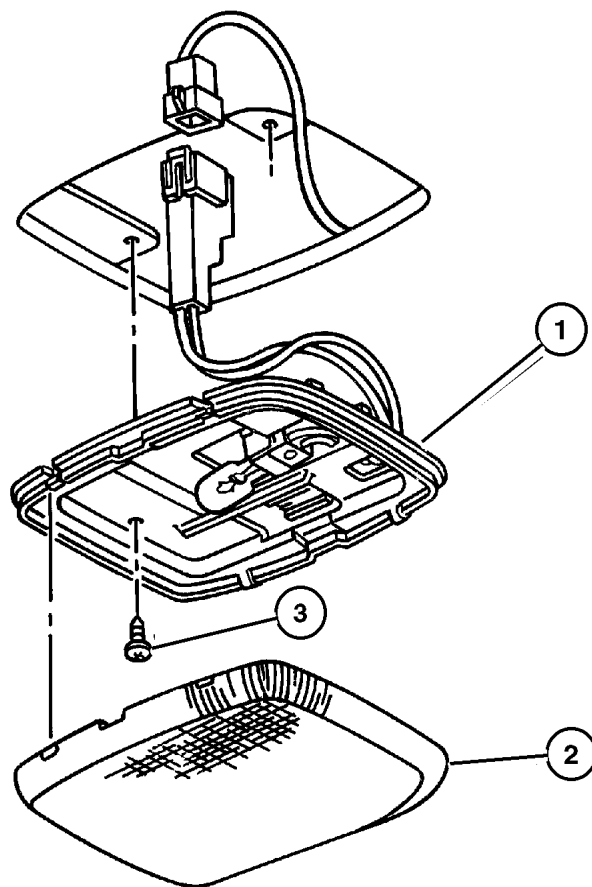
SERIES	LINE	BODY	ENGINE	TRANSMISSION
L=Low Line	J = Wrangler 4WD U = Wrangler 4WD (RHD)	77 = 93.4 WB	EPE, EP0 = 2.5L Power Tech ERH, ER0 = 4.0L Power Tech	DGG, DGD = 32RH 3 Spd. Auto. DDQ = 5 Spd. Manual DG0 = All Auto. Trans. DBB =All Manual Trans.

AR = Use as required - = Non illustrated part # = New this model year

June 7, 2002

Lamps--Cargo-Dome-Courtesy 1998 TJ
Figure 008-1115

ITEM	PART NUMBER	QTY	LINE	SERIES	BODY	ENGINE	TRANS	DESCRIPTION
1	5600 7264	1						BEZEL, Dome Lamp, With Dome Lamp For Sound Bar
2	5600 7265	1						LENS, Dome Lamp, For Sound Bar Dome Lamp
3								SCREW, (NOT SERVICED)
-4	J095 9978	1						LENS, Dome Lamp, Liftgate Courtesy Lamp, Rear
-5	J095 9999	1						HOUSING, Dome and Reading Lamp, Liftgate Courtesy Lamp



JEEP WRANGLER (TJ)

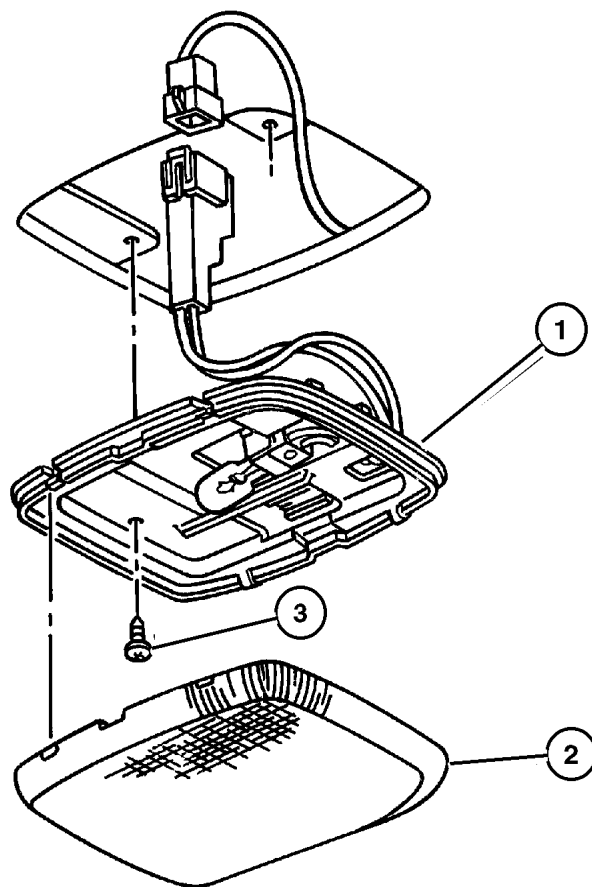
SERIES	LINE	BODY	ENGINE	TRANSMISSION
L=Low Line	J = Wrangler 4WD U = Wrangler 4WD (RHD)	77 = 93.4 WB	EPE, EP0 = 2.5L Power Tech ERH, ER0 = 4.0L Power Tech	DGG, DGD = 32RH 3 Spd. Auto. DDQ = 5 Spd. Manual DG0 = All Auto. Trans. DBB =All Manual Trans.

AR = Use as required - = Non illustrated part # = New this model year

June 7, 2002

Lamps--Cargo-Dome-Courtesy 1999 TJ
Figure 008-1115

ITEM	PART NUMBER	QTY	LINE	SERIES	BODY	ENGINE	TRANS	DESCRIPTION
1	5600 7264	1						BEZEL, Dome Lamp, With Dome Lamp for Sound Bar
2	5600 7265	1						LENS, Dome Lamp, For Sound Bar Dome Lamp
3								SCREW, (NOT SERVICED)
-4	J095 9978	1						LENS, Dome Lamp, Liftgate Courtesy Lamp
-5	J095 9999	1						HOUSING, Dome and Reading Lamp, Liftgate Courtesy Lamp



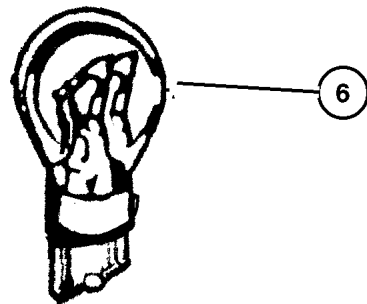
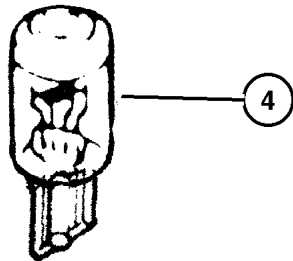
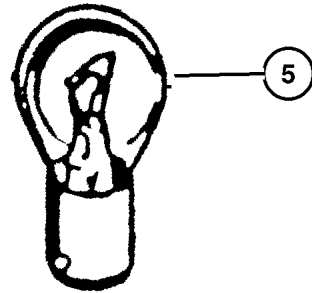
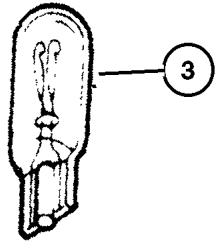
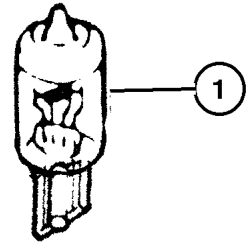
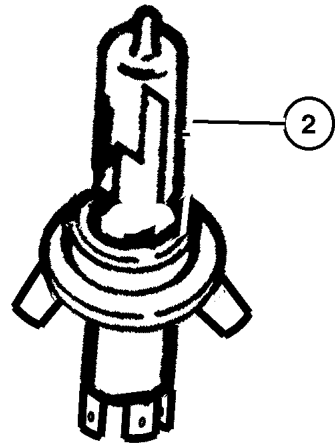
JEEP WRANGLER (TJ)

SERIES	LINE	BODY	ENGINE	TRANSMISSION
L=Low Line	J = Wrangler 4WD U = Wrangler 4WD (RHD)	77 = 93.4 WB	EPE, EP0 = 2.5L Power Tech ERH, ER0 = 4.0L Power Tech	DGG, DGD = 32RH 3 Spd. Auto. DDQ = 5 Spd. Manual DG0 = All Auto. Trans. DBB =All Manual Trans.

AR = Use as required - = Non illustrated part # = New this model year

June 7, 2002

Bulbs & Sockets 1997 TJ
Figure 008-1120



ITEM	PART NUMBER	QTY	LINE	SERIES	BODY	ENGINE	TRANS	DESCRIPTION
DG0=Automatic Transmission								
1	0153 620	1	J					BULB, 8/4 Front Fender Side Repeater, EXPORT (SOUTH AFRICA)
		1	U					Front Fender Side Repeater, EXPORT (SOUTH AFRICA)
2	0153 621	1	J					BULB, Headlamp Aero Headlamp (H-4) (SOUTH AFRICA)
		1	U					Aero Headlamp (H-4) (SOUTH AFRICA)
3	L000 0168	2						BULB, 168, Side Marker Lamp
4	L000 0921	1						BULB, 921, Hi-Mtd. Stop Lamp
5								BULB, 561, (NOT REQUIRED)
6	L000 3157	2						BULB, 3157, Park & Turn Lamp
-7	L000 0037	1	J					BULB, 37
-8	L000 0658	1					DG0	BULB, 658, Miniature (T-3 1/4 Wedge)
-9	4874 122AB	1						BULB AND SOCKET, Graphic Illumination
-10	4874 123	1						BULB AND SOCKET, Switch on Indicator

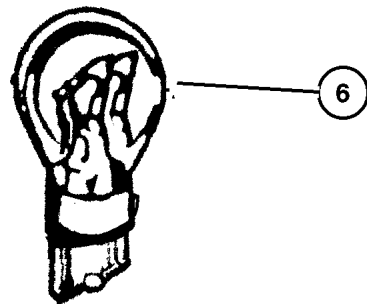
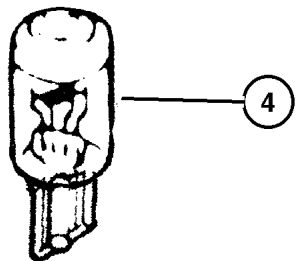
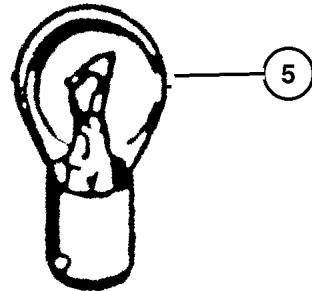
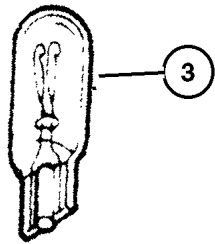
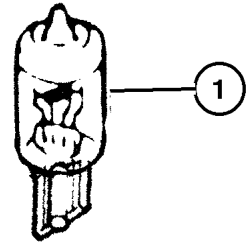
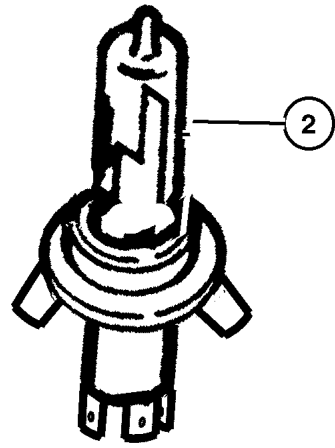
JEEP WRANGLER (TJ)

SERIES	LINE	BODY	ENGINE	TRANSMISSION
L=Low Line	J = Wrangler 4WD U = Wrangler 4WD (RHD)	77 = 93.4 WB	EPE, EP0 = 2.5L Power Tech ERH, ER0 = 4.0L Power Tech	DGG, DGD = 32RH 3 Spd. Auto. DDQ = 5 Spd. Manual DG0 = All Auto. Trans. DBB =All Manual Trans.

AR = Use as required - = Non illustrated part # = New this model year

June 7, 2002

Bulbs & Sockets 1998 TJ
Figure 008-1120



ITEM	PART NUMBER	QTY	LINE	SERIES	BODY	ENGINE	TRANS	DESCRIPTION
DG0=Automatic Transmission								
1	0153 620	1	J					BULB, 8/4 Front Fender
		1	U					Side Repeater
2	0153 621	1	J					BULB, Headlamp
		1	U					
3	L000 0168	2						BULB, 168, Side Marker
4	L000 0921	1						BULB, 921, Hi-Mounted Stop Lamp
5								BULB, 1003, (NOT REQUIRED)
6	0154 851AA	2						BULB, 3157, Underhood Lamp
-7	L000 0037	1	J					BULB, 37
-8	L000 0658	2					DG0	BULB, 658
-9	4874 122	1						BULB AND SOCKET, Graphic Illumination
-10	4874 122AB	1						BULB AND SOCKET, Switch On Indicator

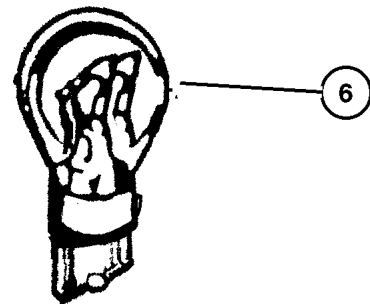
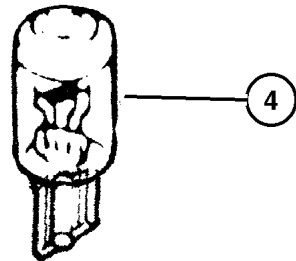
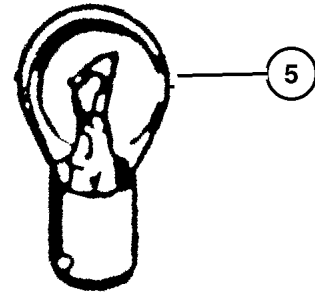
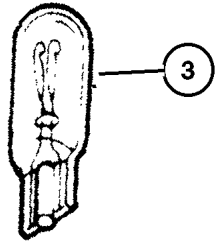
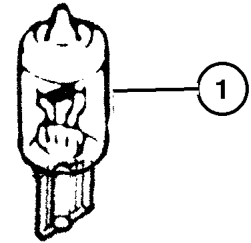
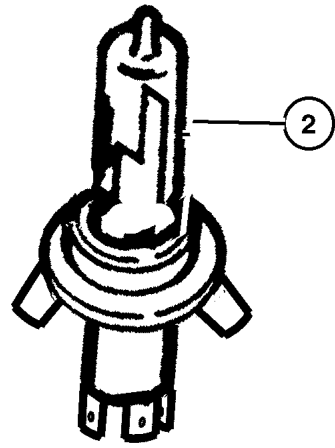
JEEP WRANGLER (TJ)

SERIES	LINE	BODY	ENGINE	TRANSMISSION
L=Low Line	J = Wrangler 4WD U = Wrangler 4WD (RHD)	77 = 93.4 WB	EPE, EP0 = 2.5L Power Tech ERH, ER0 = 4.0L Power Tech	DGG, DGD = 32RH 3 Spd. Auto. DDQ = 5 Spd. Manual DG0 = All Auto. Trans. DBB =All Manual Trans.

AR = Use as required - = Non illustrated part # = New this model year

June 7, 2002

Bulbs & Sockets 1999 TJ
Figure 008-1120



ITEM	PART NUMBER	QTY	LINE	SERIES	BODY	ENGINE	TRANS	DESCRIPTION
DG0=Automatic Transmission								
1	0153 620	1	J					BULB, 8/4
		1	U					Front Fender
		1	U					Side Repeater
2	0153 621	1	J					BULB, Headlamp
3								BULB, 168, (NOT REQUIRED)
4	0154 883AA	1						BULB, 921
5								BULB, 1003, (NOT REQUIRED)
6	0154 851AA	2						BULB, 3157
-7	L000 0658	1					DG0	BULB, 658
-8	4874 122AB	1						BULB AND SOCKET, Graphic Illumination
-9								BULB AND SOCKET
	4874 122AB	1						Switch On Indicator
	4874 123	1						Switch on Indicator
-10	#5013 829AA	1						BULB, Heater and A/C Control

JEEP WRANGLER (TJ)

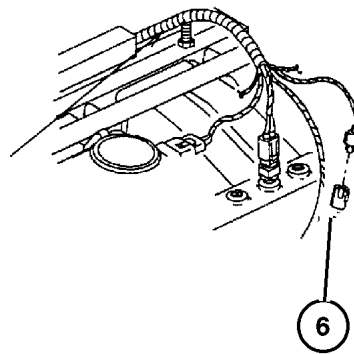
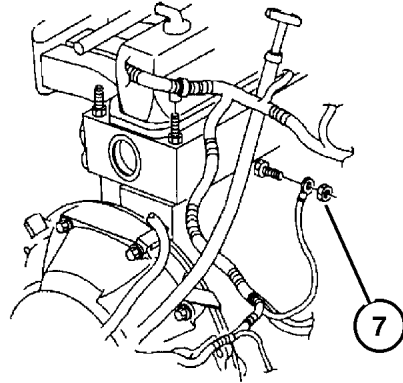
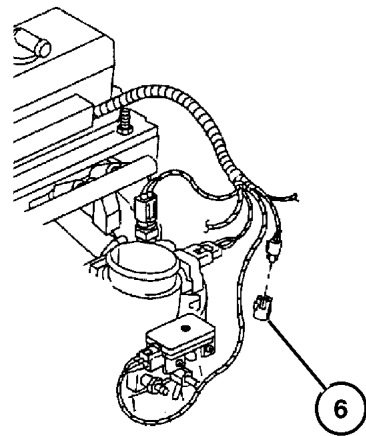
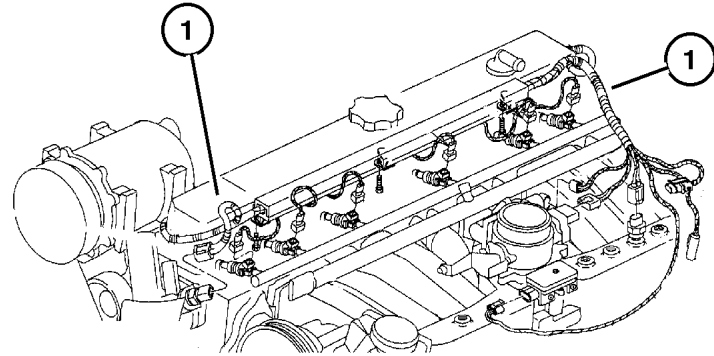
SERIES	LINE	BODY	ENGINE	TRANSMISSION
L=Low Line	J = Wrangler 4WD U = Wrangler 4WD (RHD)	77 = 93.4 WB	EPE, EP0 = 2.5L Power Tech ERH, ER0 = 4.0L Power Tech	DGG, DGD = 32RH 3 Spd. Auto. DDQ = 5 Spd. Manual DG0 = All Auto. Trans. DBB =All Manual Trans.

AR = Use as required - = Non illustrated part # = New this model year

June 7, 2002

Wiring--Engine & Related Parts
Figure 008-1205

ITEM	PART NUMBER	QTY	LINE	SERIES	BODY	ENGINE	TRANS	DESCRIPTION
EP0=2.5L Engine								
ER0=4.0L Engine								
EN0=2.5L 4 Cylinder Turbo Diesel Engine								
DG0=Automatic Transmissions								
DBB= Manual Transmissions								
DDQ=Manual Transmissions								
1								WIRING, Engine, Transmission Wiring Included
	5600 9430	1	J			ER0		w/o ABS (Up to 7/96), 1997 TJ
	5600 9431	1	J			ER0		w/ABS (Up to 7/96), 1997 TJ
	5600 9432	1	J			EP0		(Up to 7/96), 1997 TJ
	5601 0008	1	J			ER0		w/ABS (After 7/96), 1997 TJ
	5601 0013	1	J			ER0		w/o ABS (After 7/96), 1997 TJ
	5601 0031	1	J			EP0		(After 7/96), 1997 TJ
	5601 8732	1	U		77	EP0		EUROPE, 1997 TJ
	5601 8930	1	U		77	ER0		w/o ABS (EUROPE), 1997 TJ
	56041 440AA	1	U			ER0		w/o ABS, 1998 TJ
	#56041 440AD	1	U			ER0		w/o ABS, 1999 TJ
	56041 441AA	1	U			EP0		1998 TJ
	#56041 441AB	1	U			EP0		1999 TJ
	56041 442AA	1	J			ER0		w/ABS, 1998 TJ
	#56041 442AD	1	J			ER0		w/ABS, 1999 TJ
	56041 443AA	1	J			ER0		w/o ABS, 1998 TJ
	#56041 443AD	1	J			ER0		w/o ABS, 1999 TJ
	56041 444AA	1	J			EP0		1998 TJ
	#56041 444AB	1	J			EP0		1999 TJ
2								CLIP
	5211 8181	2				EP0	DDQ	1997 TJ
		2				EN0,		1997 TJ
						ER0		
	5300 8550	1						Wire Attaching, 1998 TJ, 1999 TJ
-3	5601 8581	1				ER0	DBB	STRAP, Tie, Wiring & Clip
-4								WIRING, Transmission Jumper
	5601 0211	1					DBB	Manual Transmission, 1997 TJ
	56010 211AB	1					DBB	w/Manual Transmission, 1998 TJ, 1999 TJ
	5601 0212	1					DG0	Automatic Transmission, 1997 TJ
	56010 212AB	1					DG0	w/Automatic Transmission, 1998 TJ, 1999 TJ
-5	5600 9433	2						CAP, Screw Cover
6								PLUG, Oxygen Sensor



JEEP WRANGLER (TJ)

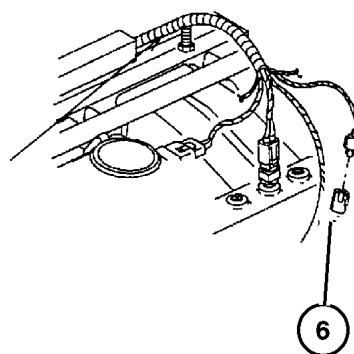
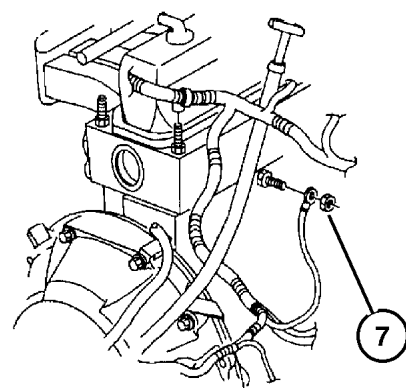
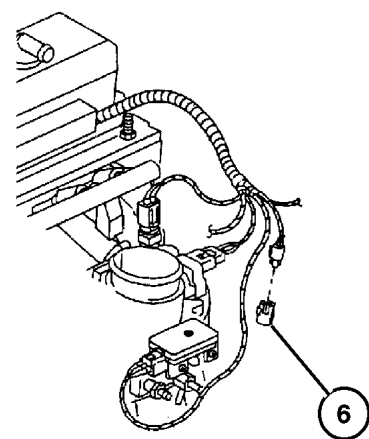
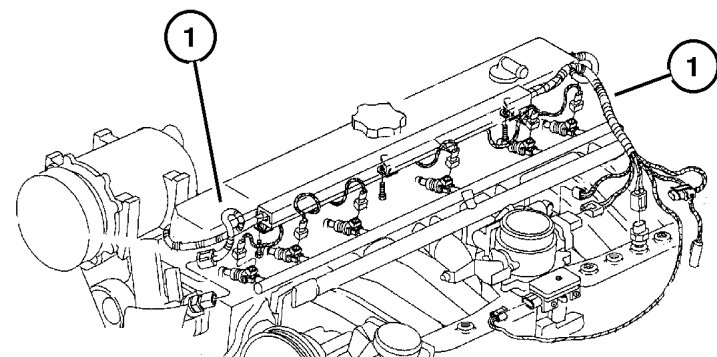
SERIES	LINE	BODY	ENGINE	TRANSMISSION
L=Low Line	J = Wrangler 4WD U = Wrangler 4WD (RHD)	77 = 93.4 WB	EPE, EP0 = 2.5L Power Tech ERH, ER0 = 4.0L Power Tech	DGG, DGD = 32RH 3 Spd. Auto. DDQ = 5 Spd. Manual DG0 = All Auto. Trans. DBB =All Manual Trans.

AR = Use as required - = Non illustrated part # = New this model year

June 7, 2002

**Wiring--Engine & Related Parts
Figure 008-1205**

ITEM	PART NUMBER	QTY	LINE	SERIES	BODY	ENGINE	TRANS	DESCRIPTION
	5600 9087	1				EP0, ER0		ASSEMBLY, 02 Sensor (Downstream) (MIDDLE EAST, MIDDLE EAST PACKAGE), Mandatory (MIDDLE EAST), 1997 TJ, Mandatory (MIDDLE EAST)
		1				EP0, ER0		ASSEMBLY, 02 Sensor (Downstream) (MIDDLE EAST, MIDDLE EAST PACKAGE), Mandatory (MIDDLE EAST PACKAGE), 1998 TJ, Mandatory (MIDDLE EAST PACKAGE)
		1				EP0, ER0		ASSEMBLY, 02 Sensor (Downstream) (MIDDLE EAST, MIDDLE EAST PACKAGE), 1999 TJ
7								NUT AND WASHER, .312-18, (NOT SERVICED)
-8								INSULATOR, 4 Way Female
	4688 733	1				EP0, ER0		02 Sensor Plug (MIDDLE EAST, MIDDLE EAST PKGE.) *** 1997, Mandatory (MIDDLE EAST), 1997 TJ, Mandatory (MIDDLE EAST)
		1				EP0, ER0		02 Sensor Plug (MIDDLE EAST, MIDDLE EAST PKGE.) *** 1997, Mandatory (MIDDLE EAST PACKAGE), 1998 TJ, Mandatory (MIDDLE EAST PACKAGE)
		1				EP0, ER0		02 Sensor Plug (MIDDLE EAST, MIDDLE EAST PKGE.) *** 1997, 1999 TJ



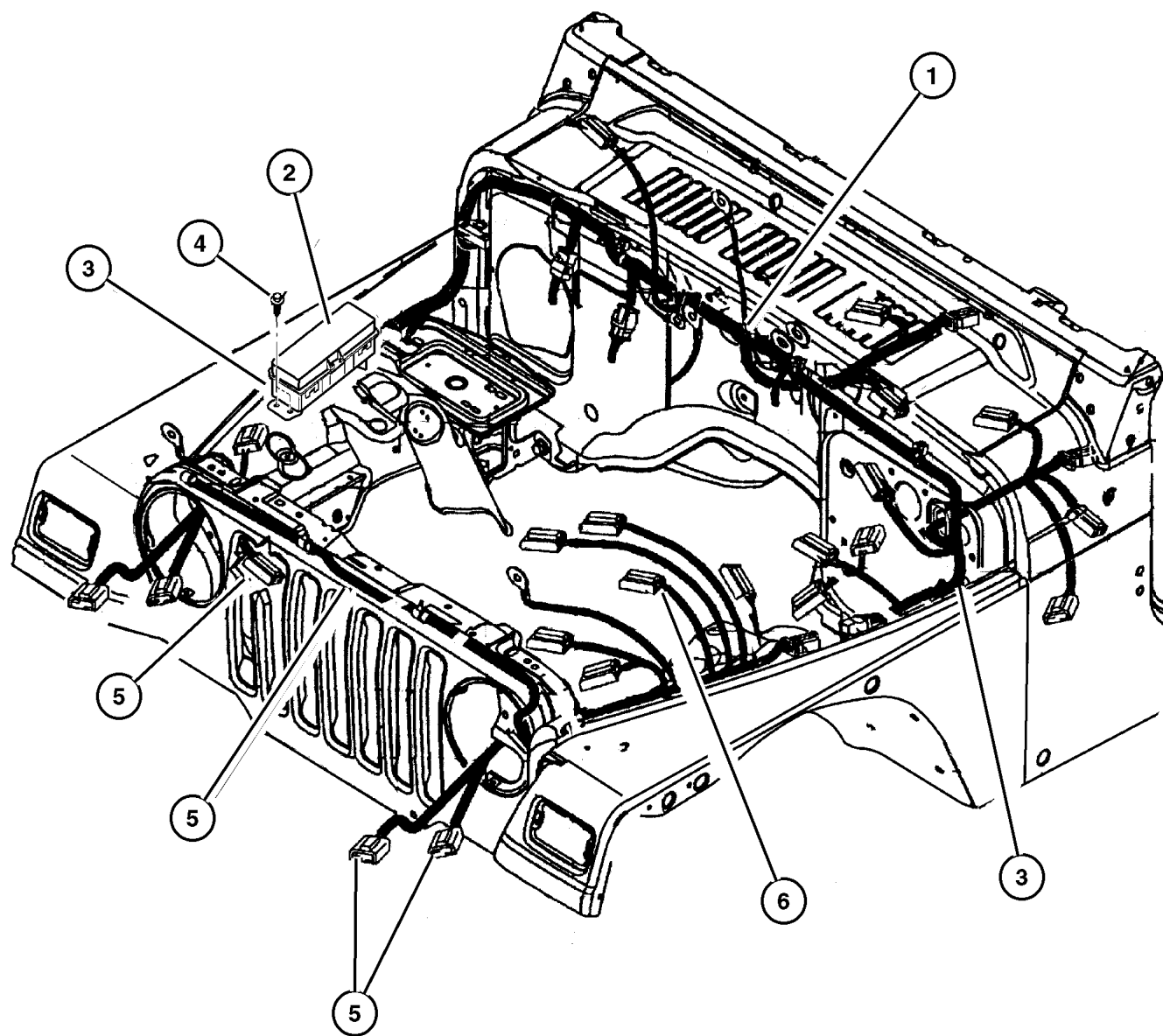
JEEP WRANGLER (TJ)

SERIES	LINE	BODY	ENGINE	TRANSMISSION
L=Low Line	J = Wrangler 4WD U = Wrangler 4WD (RHD)	77 = 93.4 WB	EPE, EP0 = 2.5L Power Tech ERH, ER0 = 4.0L Power Tech	DGG, DGD = 32RH 3 Spd. Auto. DDQ = 5 Spd. Manual DG0 = All Auto. Trans. DBB =All Manual Trans.

AR = Use as required - = Non illustrated part # = New this model year

June 7, 2002

Wiring--Headlamp / Dash Panel 1997 TJ
Figure 008-1305



ITEM	PART NUMBER	QTY	LINE	SERIES	BODY	ENGINE	TRANS	DESCRIPTION
EPO=2.5L Engine ER0=4.0L Engine								
1								WIRING, Dash Panel
	56009 635AB	1	U			EPO, ER0		
	5600 9980	1	J			EPO, ER0		w/o ABS (Up to July Launch) CANADA
	56009 980AB	1	J			EPO, ER0		w/o ABS (After July Launch) CANADA
	5600 9981	1	J			ER0		w/ABS (Up to July Launch) CANADA
	56009 981AB	1	J			ER0		w/ABS (After July Launch) CANADA
	5601 0282	1	J			ER0		w/ABS (Up to July Launch)
	56010 282AB	1	J			ER0		w/ABS (After July Launch)
	5601 0285	1	J			EPO, ER0		w/o ABS (Up to July Launch)
	56010 285AB	1	J			EPO, ER0		w/o ABS (After July Launch)
2								COVER, Power Distribution Center
	5600 9713	AR						PDC (Top)
	5603 8201	AR	J		77			Bottom
3								BRACKET, Power Distribution Center
	5600 8843	1	J		77			(Power Distribution Center)
		1	U		77			(Power Distribution Center)
4								SCREW, M6.3x1.81x20, Tapping (M6.3x1.81x20.00) Not Serv., (NOT SERVICED)
5								WIRING, Headlamp
	5601 0278	1				ER0		(Up to July Launch)
		1				EPO		(Up to July Launch)
	56010 278AB	1				ER0		(After July Launch)
		1				EPO		(After July Launch)
	5601 0280	1				ER0		(Up to July Launch) EUROPE
		1				EPO		(Up to July Launch) EUROPE
	56010 280AB	1				ER0		(After July Launch) EUROPE
		1				EPO		(After July Launch) EUROPE
6								WIRING, Park Lamp Jumper
	56009 719AB	2						w/Dual Road Foglamp
	56009 720AB	2						w/o Dual Road Foglamp
	5600 9755	2						EUROPE
-7	56009 901AA	1	U					BRACKET, Wiring Harness, Battery & Engine

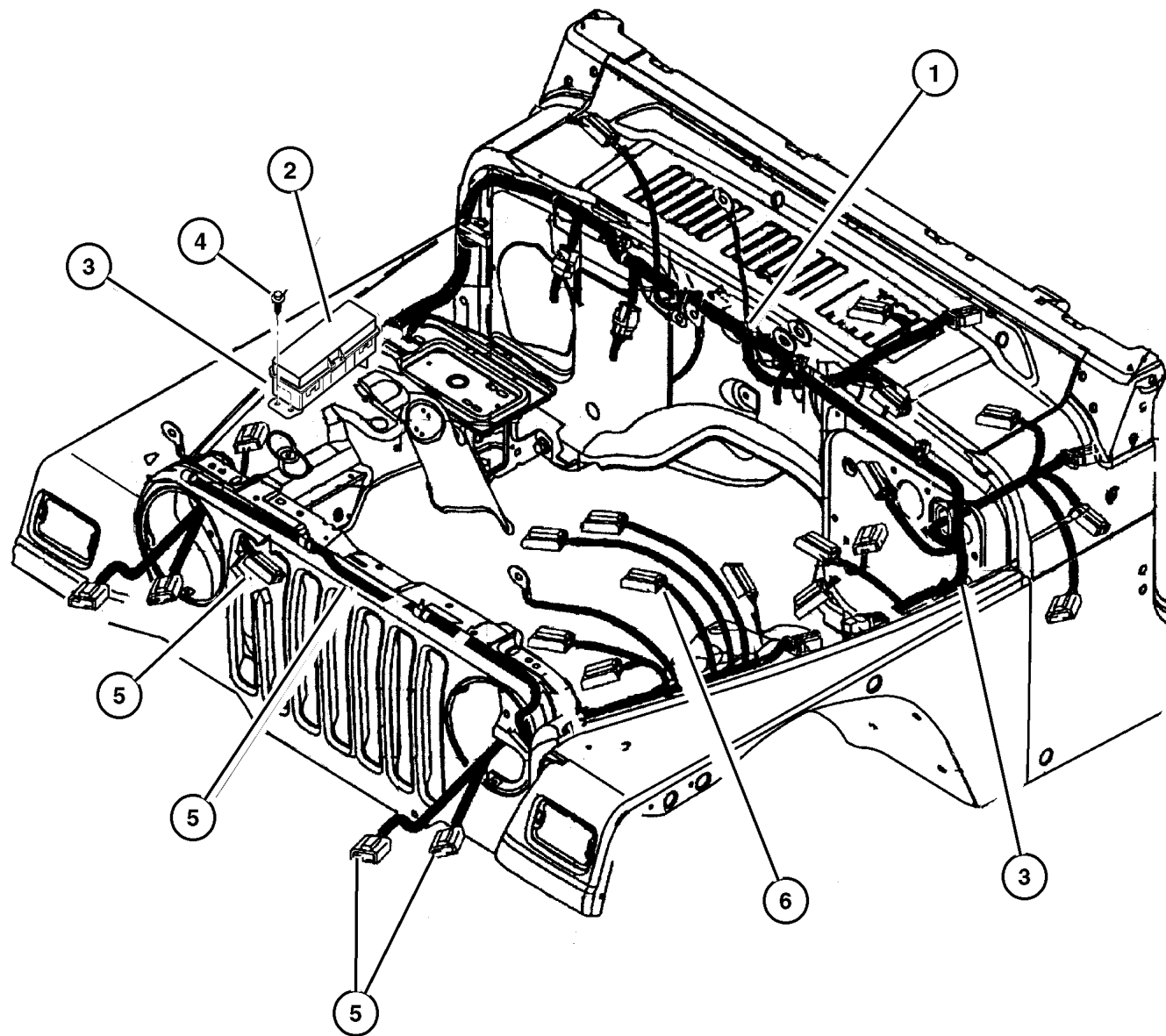
JEEP WRANGLER (TJ)

SERIES	LINE	BODY	ENGINE	TRANSMISSION
L=Low Line	J = Wrangler 4WD U = Wrangler 4WD (RHD)	77 = 93.4 WB	EPE, EPO = 2.5L Power Tech ERH, ER0 = 4.0L Power Tech	DGG, DGD = 32RH 3 Spd. Auto. DDQ = 5 Spd. Manual DG0 = All Auto. Trans. DBB =All Manual Trans.

AR = Use as required - = Non illustrated part # = New this model year

June 7, 2002

Wiring--Headlamp / Dash Panel 1998 TJ
Figure 008-1305



ITEM	PART NUMBER	QTY	LINE	SERIES	BODY	ENGINE	TRANS	DESCRIPTION
EP0=2.5L Engine ER0=4.0L Engine								
1								WIRING, Dash Panel
	56009 635AH	1	U			EP0, ER0		
	56009 980AD	1	J			EP0, ER0		w/o ABS (CANADA)
	56009 981AD	1	J			ER0		w/ABS (CANADA)
	56010 282AD	1	J			ER0		w/ABS
	56010 285AD	1	J			EP0, ER0		w/o Automatic Speed Control
	56010 350AB	1	J			EP0, ER0		w/Automatic Speed Control
		1	J			EP0, ER0		w/ or w/o Automatic Speed Control (CALIFORNIA)
2								COVER, Power Distribution Center
	56009 713AB	AR						Top
	5603 8201	AR						Bottom
3	5600 8843	1						BRACKET, Power Distribution Center
4								SCREW, M6.3x1.81x20, Tapping (M6.3x1.81x20.00) Not Serv., (NOT SERVICED)
5								WIRING, Headlamp
	56009 921AA	1				EP0, ER0		w/Dual Foglamp
	56010 278AD	1				EP0, ER0		w/o Dual Foglamp
	56010 280AD	1				EP0, ER0		(EUROPE)
6								WIRING, Park Lamp Jumper, (NOT REQUIRED)
-7								BRACKET, Wiring Harness
	56009 901AA	1	U					Battery & Engine
	5601 9684	1	U					Side Cowl
	5601 9685	1	J					Side Cowl

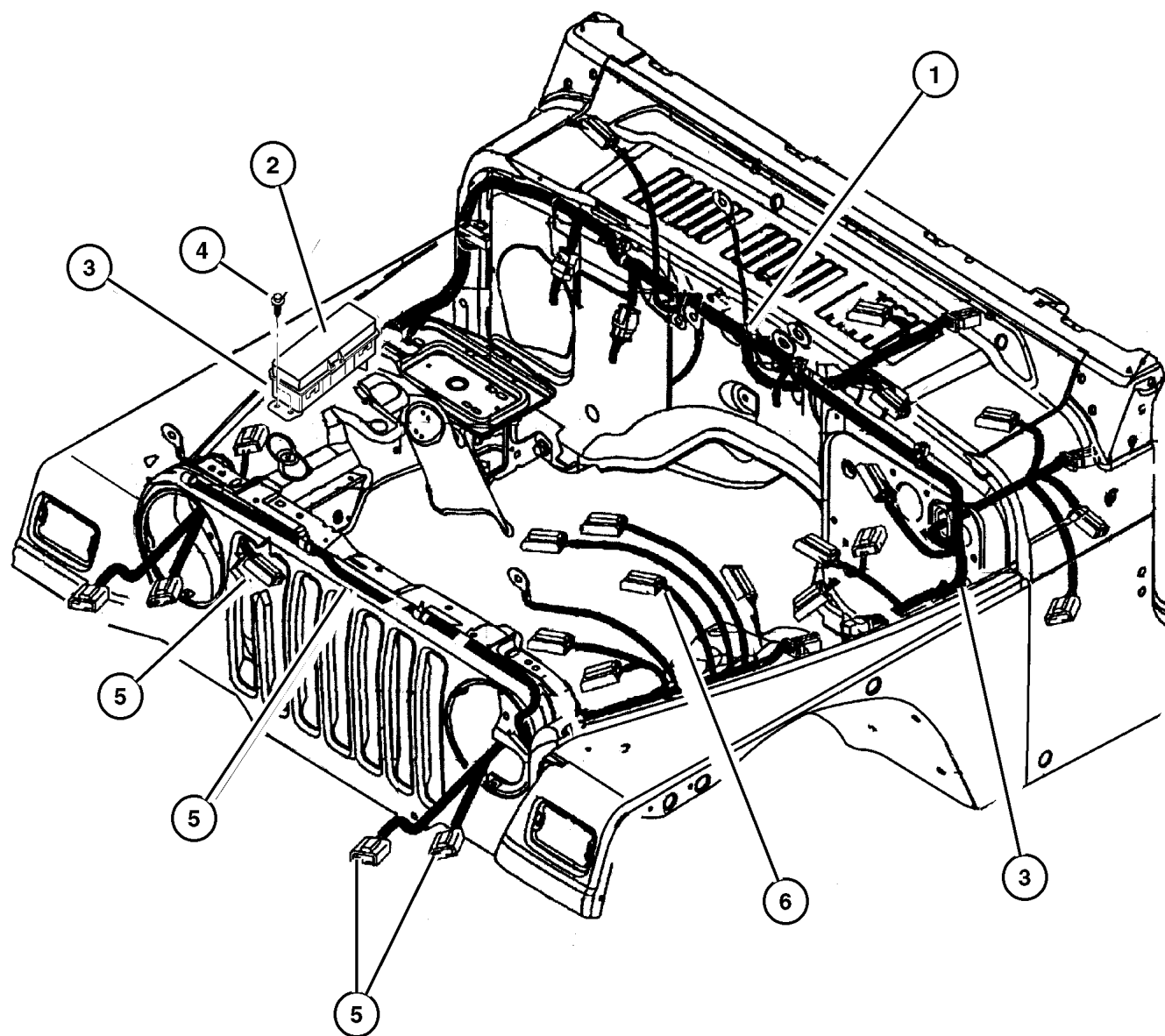
JEEP WRANGLER (TJ)

SERIES	LINE	BODY	ENGINE	TRANSMISSION
L=Low Line	J = Wrangler 4WD U = Wrangler 4WD (RHD)	77 = 93.4 WB	EPE, EP0 = 2.5L Power Tech ERH, ER0 = 4.0L Power Tech	DGG, DGD = 32RH 3 Spd. Auto. DDQ = 5 Spd. Manual DG0 = All Auto. Trans. DBB =All Manual Trans.

AR = Use as required - = Non illustrated part # = New this model year

June 7, 2002

Wiring--Headlamp / Dash Panel 1999 TJ
Figure 008-1305



ITEM	PART NUMBER	QTY	LINE	SERIES	BODY	ENGINE	TRANS	DESCRIPTION
EP0=2.5L Engine ER0=4.0L Engine								
1	#56009 635AI	1	U			EP0, ER0		WIRING, Dash Panel Without ABS
	#56009 980AG	1	J			EP0, ER0		With Daytime Running Lamps
	#56009 981AG	1	J			ER0		With Daytime Running Lamps, ABS
	#56010 282AG	1	J			ER0		With ABS
	#56010 350AE	1	J			EP0, ER0		Without ABS
2	#56009 713AC	AR						COVER, Power Distribution Center Top
	5603 8201	AR						Bottom
3	5600 8843	1						BRACKET, Power Distribution Center
4								SCREW, M6.3x1.81x20, Tapping (M6.3x1.81x20.00) Not Serv., (NOT SERVICED)
5	56010 278AD	1				EP0, ER0		WIRING, Headlamp w/o Dual Foglamp
	56010 280AD	1				EP0, ER0		(EUROPE)
	56009 921AB	1				EP0, ER0		w/Dual Foglamp
6								WIRING, Park Lamp Jumper, (NOT REQUIRED)
-7	56009 901AA	1	U					BRACKET, Wiring Harness, Battery & Engine
-8	4863 839	1						CONNECTOR PACKAGE, Beam Select Switch

JEEP WRANGLER (TJ)

SERIES	LINE	BODY	ENGINE	TRANSMISSION
L=Low Line	J = Wrangler 4WD U = Wrangler 4WD (RHD)	77 = 93.4 WB	EPE, EP0 = 2.5L Power Tech ERH, ER0 = 4.0L Power Tech	DGG, DGD = 32RH 3 Spd. Auto. DDQ = 5 Spd. Manual DG0 = All Auto. Trans. DBB =All Manual Trans.

AR = Use as required - = Non illustrated part # = New this model year

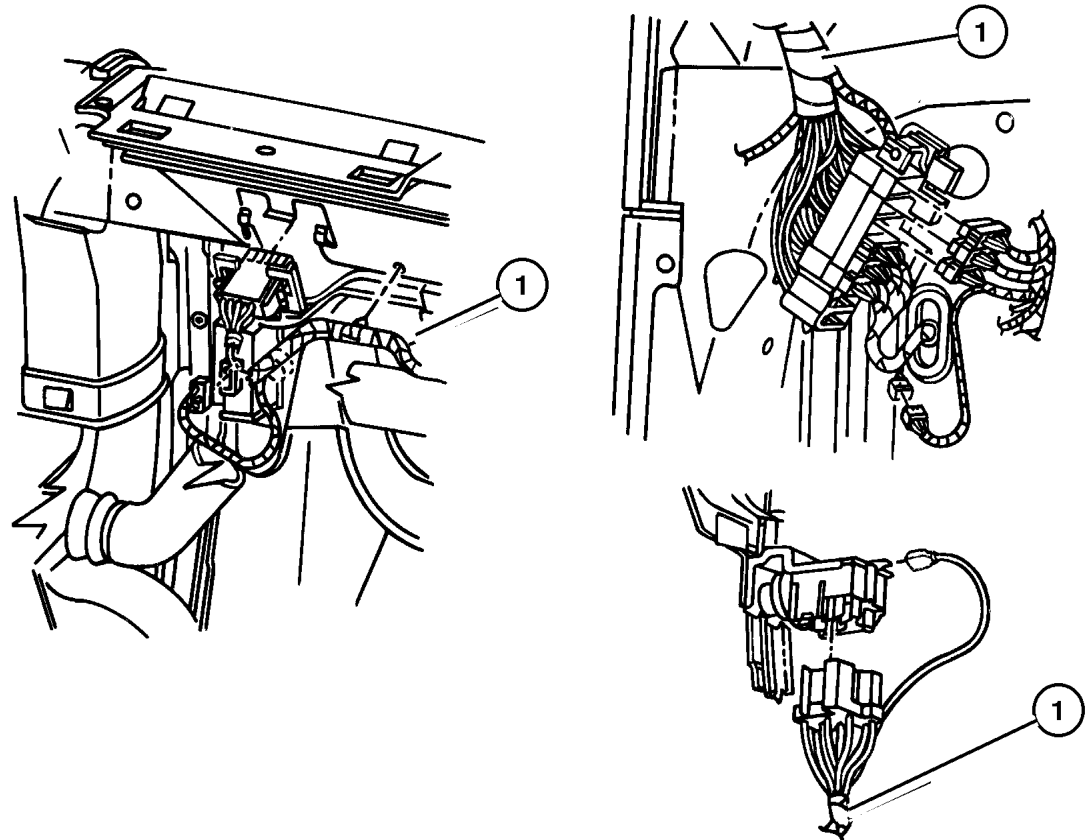
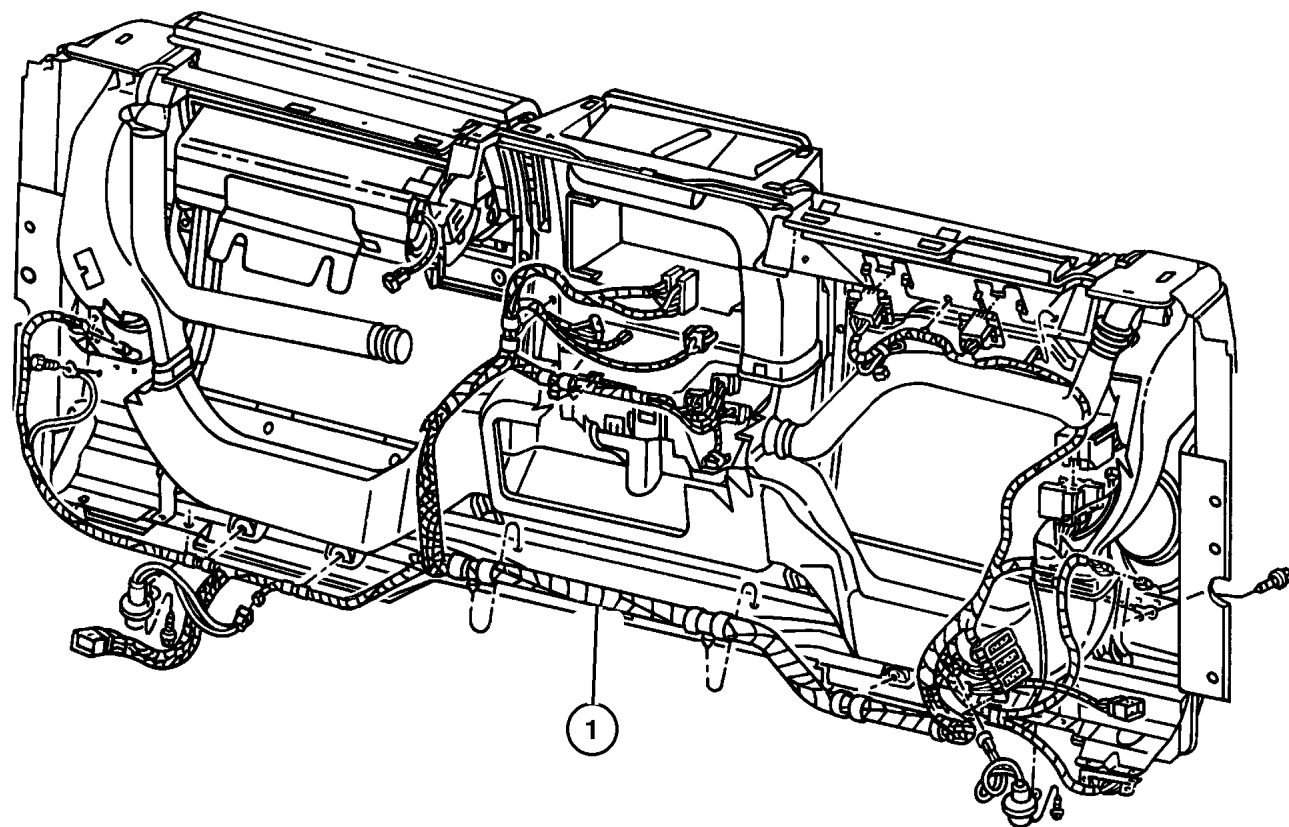
June 7, 2002

Wiring Instrument Panel & Fuses Figure 008-1405

ITEM	PART NUMBER	QTY	LINE	SERIES	BODY	ENGINE	TRANS	DESCRIPTION
ER0=4.0L Engine								
DG0=Automatic Transmission								
1								WIRING, Instrument Panel
	5600 9445	1	J					Up to July Launch (Soft Top), 1997 TJ
	5600 9446	1	J					Up to July Launch (Hard Top), 1997 TJ
	5600 9447	1	J					Up to July Launch (EUROPE), 1997 TJ
	5600 9634	1	U					Up to July Launch (EUROPE), 1997 TJ
	5601 0104	1	J					After July Launch (Soft Top), 1997 TJ
	56010 104AE	1	J					Soft Top, 1998 TJ
	#56010 104AF	1	J					Soft Top, 1999 TJ
	5601 0108	1	J					After July Launch (Hard Top), 1997 TJ
	56010 108AE	1	J					Hard Top, 1998 TJ
	#56010 108AF	1	J					Hard Top, 1999 TJ
	5601 0131	1	J					After July Launch (EUROPE), 1997 TJ
	56010 131AE	1	J					Soft Top (EUROPE), 1998 TJ
	#56010 131AF	1	J					(EUROPE), 1999 TJ
	5601 0205	1	U					After July Launch (EUROPE), 1997 TJ
	56010 205AE	1	U					Soft Top (EUROPE), 1998 TJ
	#56010 205AF	1	U					(EUROPE), 1999 TJ
-2								LABEL, Fuse Block
	5600 9391	1						Fuseblock (Decal), 1997 TJ
	56009 391AD	1						1998 TJ
	#56009 391AF	1						1999 TJ
-3								FUSE, Standard, 30 Amp, Light Green (NOT REQUIRED), 1998 TJ, 1999 TJ
	6101 139	1						1997 TJ
-4	6101 486	1						FUSE, Mini, 10 AMP, Red
-5								FUSE, Mini, 20 AMP, Yellow
	6101 488	1	J		77	ER0		1997 TJ
		1					DG0	1998 TJ, 1999 TJ
-6								FUSE, Maxi, 20 AMP, Yellow (NOT REQUIRED), 1998 TJ, 1999 TJ
	6101 679	1	J		77	ER0		1997 TJ
-7								FUSE, Maxi, 30 Amp, Green (NOT REQUIRED), 1999 TJ
	6101 640	1						1997 TJ, 1998 TJ
-8								FUSE, Maxi, 40 AMP, Amber
	00MA X40	1						1998 TJ, 1999 TJ
	6101 641	1	J		77	ER0		1997 TJ
-9								FLASHER
	5600 9339	1						USA/CANADA
	5600 9345	1						EUROPE

JEEP WRANGLER (TJ)

SERIES	LINE	BODY	ENGINE	TRANSMISSION
L=Low Line	J = Wrangler 4WD U = Wrangler 4WD (RHD)	77 = 93.4 WB	EPE, EP0 = 2.5L Power Tech ERH, ER0 = 4.0L Power Tech	DGG, DGD = 32RH 3 Spd. Auto. DDQ = 5 Spd. Manual DG0 = All Auto. Trans. DBB =All Manual Trans.



Wiring--Body & Accessory 1997 TJ 1998 TJ
Figure 008-1505

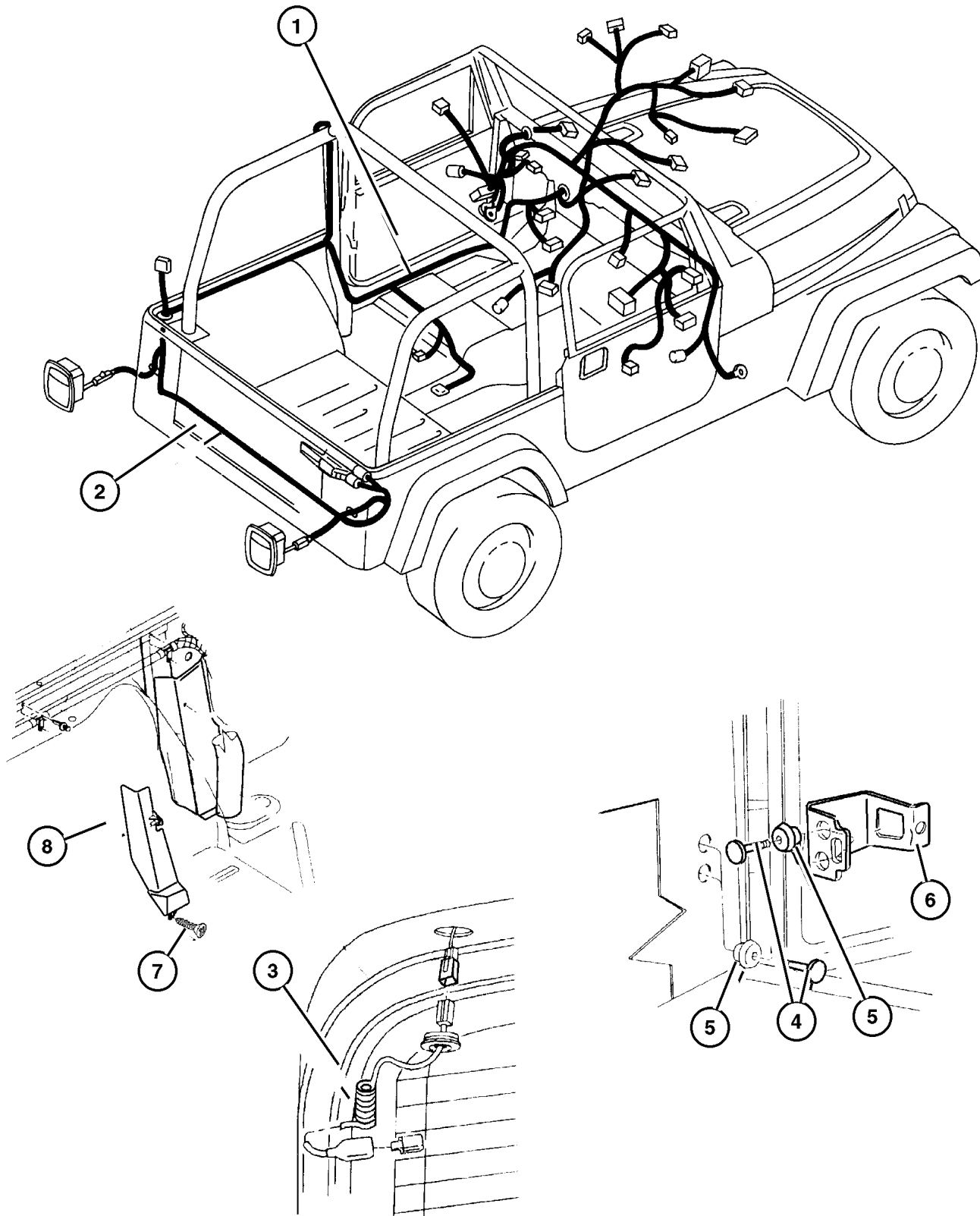
ITEM	PART NUMBER	QTY	LINE	SERIES	BODY	ENGINE	TRANS	DESCRIPTION
1								WIRING, Crossbody
	5600 9508	1	J					w/o Dual Foglamp, 1997 TJ
	56009 508AH	1	J					w/o Dual Road Foglamp, 1998 TJ
	5600 9509	1	J					w/ Dual Foglamp, 1997 TJ
	56009 509AH	1	J					w/Dual Road Foglamp, 1998 TJ
	5600 9510	1	J					Up to July Launch (EUROPE), 1997 TJ
	56009 510AB	1	J					After July Launch (EUROPE), 1997 TJ
	56009 510AH	1	J					(EUROPE), 1998 TJ
	56009 878AC	1	U					1997 TJ
	56009 878AH	1	U					(EUROPE), 1998 TJ
2								WIRING, Rear Body
	56009 876AC	1	U					Hard Top (EUROPE), 1997 TJ
	56009 876AD	1	U					Hard Top (EUROPE), 1998 TJ
	56009 877AC	1	U					Soft Top (EUROPE), 1997 TJ
	56009 877AD	1	U					Soft Top (EUROPE), 1998 TJ
	5601 0160	1	J					Hard Top (EUROPE), 1997 TJ
	56010 160AC	1	J					Hard Top (EUROPE), 1998 TJ
	5601 0161	1	J					Soft Top w/2 Speakers (EUROPE), 1997 TJ
	56010 161AC	1	J					Soft Top (EUROPE), 1998 TJ
	5601 0162	1						Hard Top w/4 Speakers, 1997 TJ
	56010 162AD	1						Hard Top w/4 Speakers, 1998 TJ
	5601 0163	1						Soft Top w/2 Speakers, 1997 TJ
	56010 163AD	1						Soft Top w/2 Speakers, 1998 TJ
	5601 0164	1	J					Soft Top w/4 Speakers, 1997 TJ
	56010 164AD	1	J					Soft Top w/4 Speakers, 1998 TJ
	5601 0165	1						Hard Top w/2 Speakers, 1997 TJ
	56010 165AD	1						Hard Top w/2 Speakers, 1998 TJ
3								WIRING, Electric Back Light
	5600 9120	2	J		77			(Jumper), 1997 TJ
		2	U		77			(Jumper), 1997 TJ
	56009 120AC	2						1998 TJ
4								TERMINAL
	4362 012	4						C.H.M.S.L. Contact Button, 1997 TJ
		4						CHMSL Contact Button, 1998 TJ
5								GROMMET, Sliding Door
	6031 562	2						Contact Body, 1997 TJ
		2						1998 TJ
6								BRACKET, Wiring Harness
	56009 901AA	1	U					Battery & Engine, 1998 TJ
	5601 9684	1	U		77			1997 TJ
		1	U					Side Cowl, 1998 TJ
	5601 9685	1	J		77			1997 TJ

JEEP WRANGLER (TJ)

SERIES	LINE	BODY	ENGINE	TRANSMISSION
L=Low Line	J = Wrangler 4WD U = Wrangler 4WD (RHD)	77 = 93.4 WB	EPE, EP0 = 2.5L Power Tech ERH, ER0 = 4.0L Power Tech	DGG, DGD = 32RH 3 Spd. Auto. DDQ = 5 Spd. Manual DG0 = All Auto. Trans. DBB =All Manual Trans.

AR = Use as required - = Non illustrated part # = New this model year

June 7, 2002



Wiring--Body & Accessory 1997 TJ 1998 TJ
Figure 008-1505

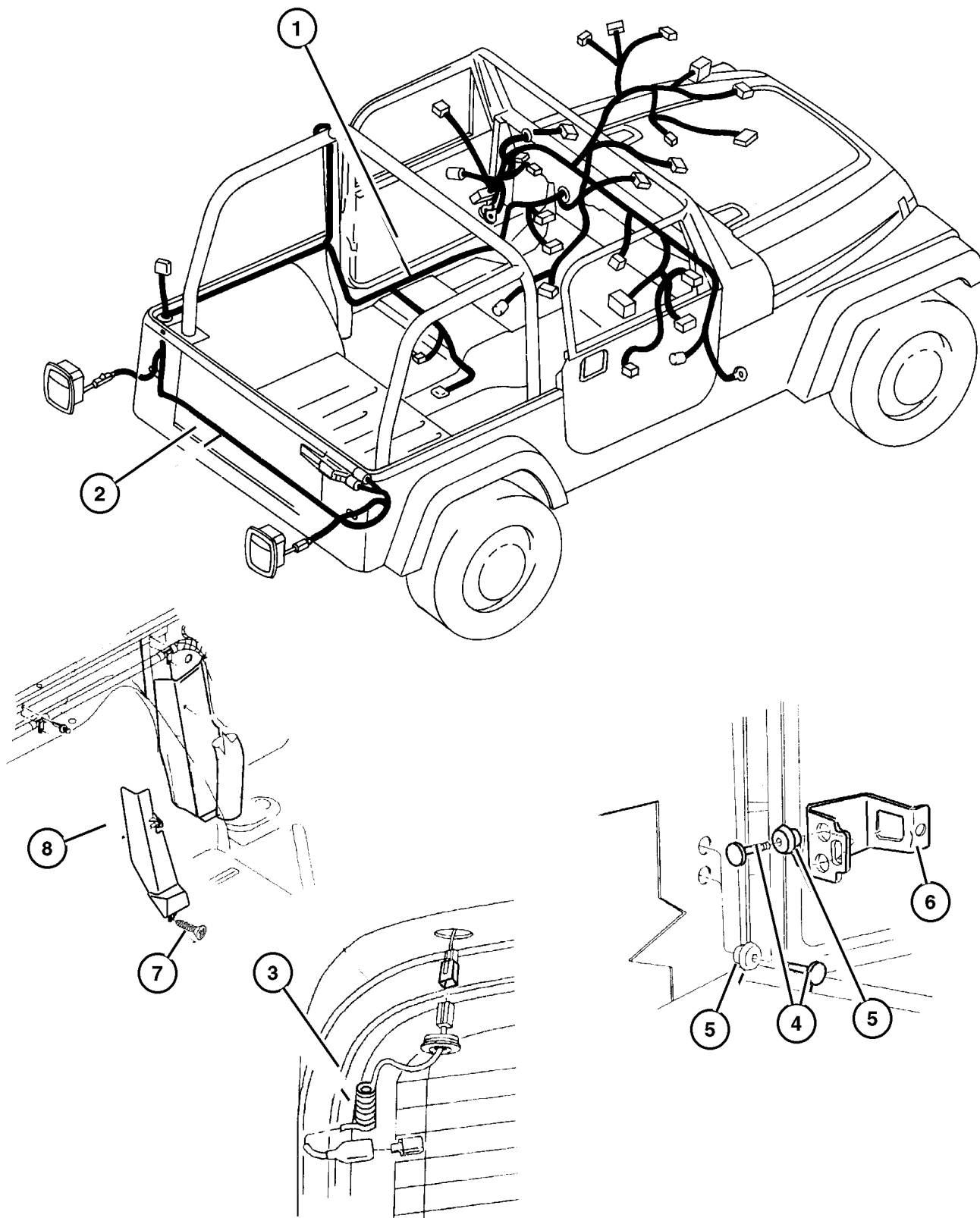
ITEM	PART NUMBER	QTY	LINE	SERIES	BODY	ENGINE	TRANS	DESCRIPTION
		1	J					Side Cowl, 1998 TJ
7	0154 552	2						SCREW, Hex Head, .190-16x.625, Piercing
8	5521 7194	1	J		77			COVER, Wiring Protector Wiring Body Upper (Left), 1997 TJ
		1	U		77			Wiring Body Upper (Left), 1997 TJ
		1						Wiring Body Upper, 1998 TJ
-9	5517 6190	1			77			COVER, Wiring Protector Plate Hard Top Disconnect, 1997 TJ
	5600 9654	1						Cover Disconnect
-10	5601 7442	1						WIRING, Courtesy Lamp, Courtesy Lamp
-11	5600 9085	1	J		77			WIRING, Rear Bumper Bumper (Rear Foglamp/License Lamp)
		1	U		77			EUROPE ***, 1997 TJ Bumper (Rear Foglamp/License Lamp) EUROPE ***, 1997 TJ
		1						1998 TJ
-12	5600 9377	1						WIRING, Hardtop 1997 TJ
	56009 377AB	1						1998 TJ
-13	4874 085	1	J		77			WIRING, Air Conditioning Module Air Condition Module, 1997 TJ
		1	J					1998 TJ
-14	56009 923AA	1						WIRING, Speed Control Switch Jumper (NOT REQUIRED), 1997 TJ
	56009 924AA	1						1998 TJ
-15	56009 925AA	1						WIRING, Leak Detection Pump Jumper (NOT REQUIRED), 1997 TJ
	56009 896AA	1						1998 TJ
-16	56009 939AA	1						WIRING, Control, Cruise (NOT REQUIRED), 1997 TJ
	56009 939AA	1						1998 TJ
-17	56009 333AB	3						WIRING, Soundbar Adapter, Soundbar (Jumper) EUROPE ***
-18	56009 333AB	3						WIRING, Jumper Top to Top (Jumper) ***, 1997 TJ
	56009 338AB	3						1998 TJ
-19								CLIP, Wiring Attaching
-20								RIVET (NOT REQUIRED), 1997 TJ
	56009 338AB	3						1998 TJ

JEEP WRANGLER (TJ)

SERIES	LINE	BODY	ENGINE	TRANSMISSION
L=Low Line	J = Wrangler 4WD U = Wrangler 4WD (RHD)	77 = 93.4 WB	EPE, EP0 = 2.5L Power Tech ERH, ER0 = 4.0L Power Tech	DGG, DGD = 32RH 3 Spd. Auto. DDQ = 5 Spd. Manual DG0 = All Auto. Trans. DBB =All Manual Trans.

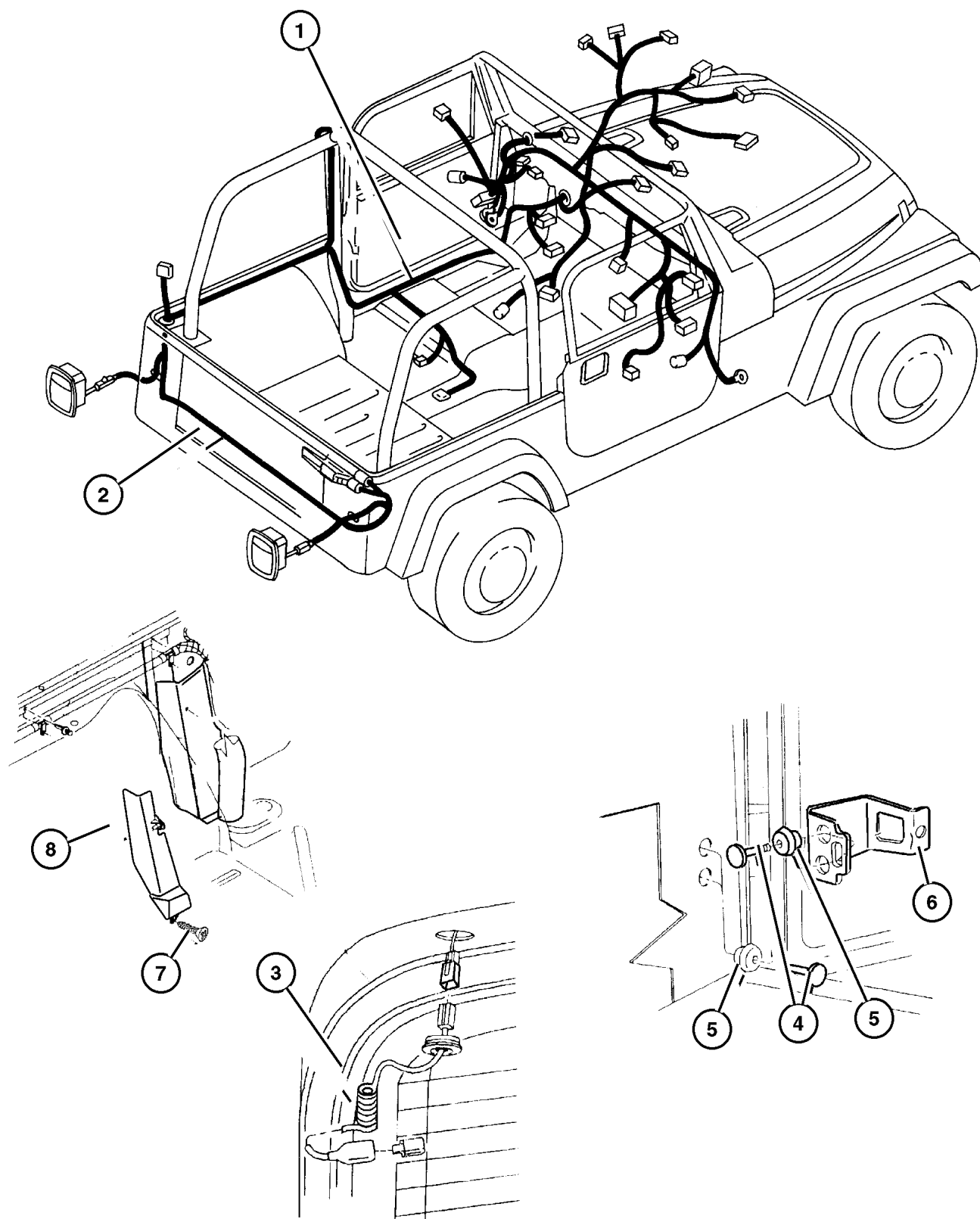
AR = Use as required - = Non illustrated part # = New this model year

June 7, 2002



Wiring--Body & Accessory 1999 TJ
Figure 008-1505

ITEM	PART NUMBER	QTY	LINE	SERIES	BODY	ENGINE	TRANS	DESCRIPTION
1								WIRING, Crossbody
	#56009 508AE	1	J					w/o Dual Road Foglamp
	#56009 509AE	1	J					w/Dual Road Foglamp
	#56009 510AE	1	J					(EUROPE)
	#56009 878AE	1	U					(EUROPE)
2								WIRING, Rear Body
	56009 876AD	1	U					Hard Top (EUROPE)
	56009 877AD	1	U					Soft Top (EUROPE)
	56010 160AC	1	J					Hard Top (EUROPE)
	56010 161AC	1	J					Soft Top (EUROPE)
	56010 162AD	1						Hard Top w/4 Speakers
	56010 163AD	1						Soft Top w/2 Speakers
	56010 164AD	1	J					Soft Top w/4 Speakers
	56010 165AD	1						Hard Top w/2 Speakers
3	56009 120AC	2						WIRING, Electric Back Light
4	4362 012	4						TERMINAL, CHMSL Contact Button
5	6031 562	2						GROMMET, Sliding Door
6	56009 901AA	1	U					BRACKET, Wiring Harness, Battery & Engine
7	0154 552	2						SCREW, Hex Head, .190-16x.625, Piercing
8	55217 194AB	1						COVER, Wiring Protector
-9	55352 706AA	1						COVER, Wiring Protector
-10								WIRING, Courtesy Lamp, (NOT REQUIRED)
-11	5600 9085	1						WIRING, Rear Bumper
-12	56009 377AB	1						WIRING, Hardtop
-13	4874 085	1	U					WIRING, Air Conditioning Module
-14								WIRING, Speed Control Switch Jumper, (NOT REQUIRED)
-15	#56009 924AB	1				EPO, ERO		WIRING, Leak Detection Pump Jumper
-16								WIRING, Control, Cruise, (NOT REQUIRED)
-17	56009 896AA	1						WIRING, Soundbar Adapter, Soundbar (Jumper) EUROPE ***
-18	56009 939AA	1						WIRING, Jumper
-19	56009 333AB	3						CLIP, Wire Attaching (Clip)
-20	56009 338AB	3						RIVET



JEEP WRANGLER (TJ)

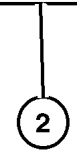
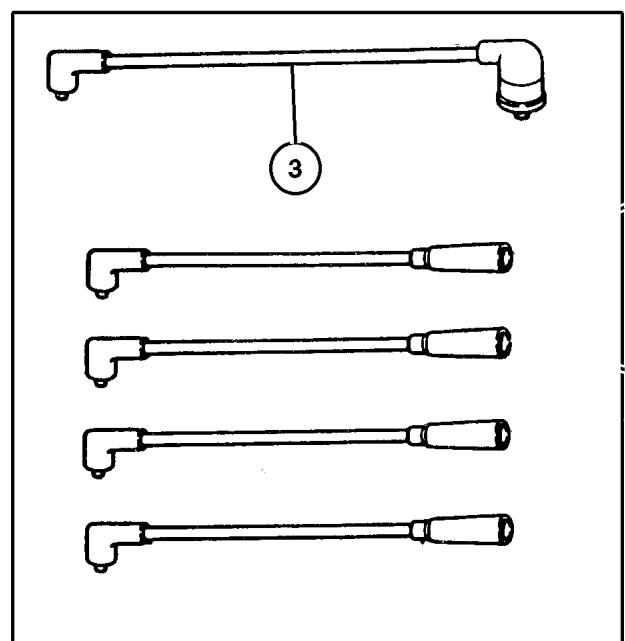
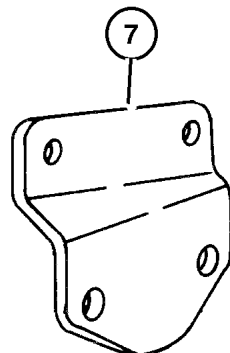
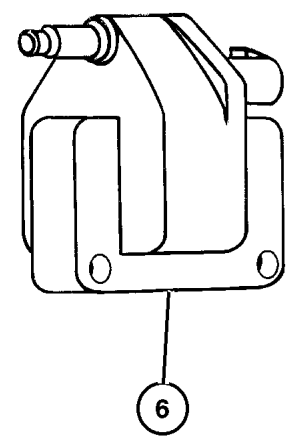
SERIES	LINE	BODY	ENGINE	TRANSMISSION
L=Low Line	J = Wrangler 4WD U = Wrangler 4WD (RHD)	77 = 93.4 WB	EPE, EP0 = 2.5L Power Tech ERH, ER0 = 4.0L Power Tech	DGG, DGD = 32RH 3 Spd. Auto. DDQ = 5 Spd. Manual DG0 = All Auto. Trans. DBB =All Manual Trans.

AR = Use as required - = Non illustrated part # = New this model year

June 7, 2002

Spark Plugs--Cables--Coil 1997 TJ
Figure 008-1905

ITEM	PART NUMBER	QTY	LINE	SERIES	BODY	ENGINE	TRANS	DESCRIPTION
EP0=2.5L Engine								
ER0=4.0L Engine								
-1								CABLE PACKAGE, Ignition
	8350 7178	1				ER0		
	8350 7180	1				EP0		
2								CABLE, Ignition
	3300 7152	1				EP0		Number 1 Cable
	3300 7153	1				EP0		Number 2 and 3 Cable
	3300 7157	1				EP0		Number 4 Cable
		1				ER0		Number 2 Cable
	3300 7158	2				ER0		Number 3 and 4 Cable
	5300 8069	1				ER0		Number 5 Cable
	5300 8070	1				ER0		Number 1 Cable
	5300 8628	1				ER0		Number 6 Calble
3								CABLE, Ignition Coil
	5602 7270	1				EP0		
	5604 1057	1				ER0		
4								SPARK PLUG
	5602 7275	4				EP0		RC-12-LYC, 2.5L & 4.0L Engine
		6				ER0		RC-12-LYC, 2.5L & 4.0L Engine
5								SEPERATOR, Ignition Cable
	3300 7154	1				ER0		
	5300 6579	1				EP0		
6								COIL, Ignition
	4797 293	1				ER0		
		1				EP0		
7								BRACKET, Ignition Coil
	5300 8702	1				EP0		Coil Mounting
	5602 6890	1				ER0		Coil Mounting

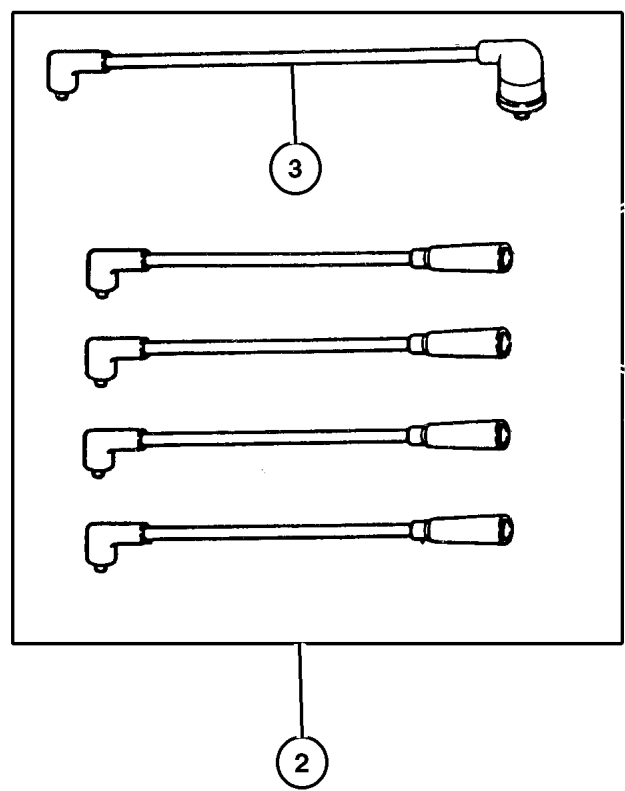
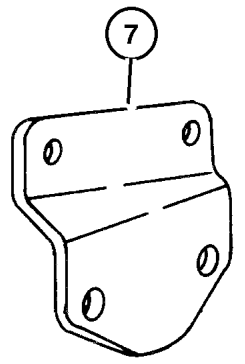
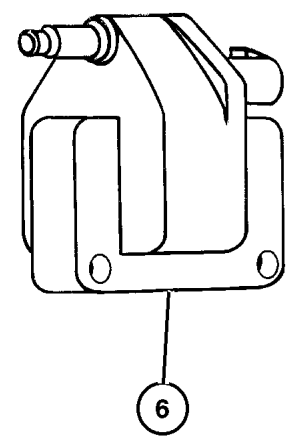
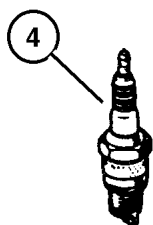


JEEP WRANGLER (TJ)

SERIES	LINE	BODY	ENGINE	TRANSMISSION
L=Low Line	J = Wrangler 4WD U = Wrangler 4WD (RHD)	77 = 93.4 WB	EPE, EP0 = 2.5L Power Tech ERH, ER0 = 4.0L Power Tech	DGG, DGD = 32RH 3 Spd. Auto. DDQ = 5 Spd. Manual DG0 = All Auto. Trans. DBB =All Manual Trans.

Spark Plug--Cables--Coils 1999 TJ
Figure 008-1905

ITEM	PART NUMBER	QTY	LINE	SERIES	BODY	ENGINE	TRANS	DESCRIPTION
EP0=2.5L Engine								
ER0=4.0L Engine								
-1								CABLE PACKAGE, Ignition
	8350 7178	1				ER0		
	8350 7180	1				EP0		
2								CABLE, Ignition
	#56041 852AA	1				EP0		#3
	#56041 853AA	1				EP0		#4
	#56041 854AA	1				EP0		#2
	#56041 855AA	1				EP0		#1
	#56041 857AA	1				ER0		#6
	#56041 858AA	1				ER0		#3
	#56041 859AA	1				ER0		#5
	#56041 860AA	1				ER0		#2
	#56041 861AA	1				ER0		#4
	#56041 862AA	1				ER0		#1
3								CABLE, Ignition Coil
	#56041 851AA	1				EP0		
	#56041 863AA	1				ER0		
4								SPARK PLUG
	#56041 402AB	4				EP0		
		6				ER0		
5								SEPERATOR, Ignition Cable
	3300 7154	1				ER0		
	5300 6579	1				EP0		
6								COIL, Ignition
	5602 8172	1				EP0		
		1				ER0		
7								BRACKET, Ignition Coil
	5300 8702	1				EP0		
	5602 6890	1				ER0		



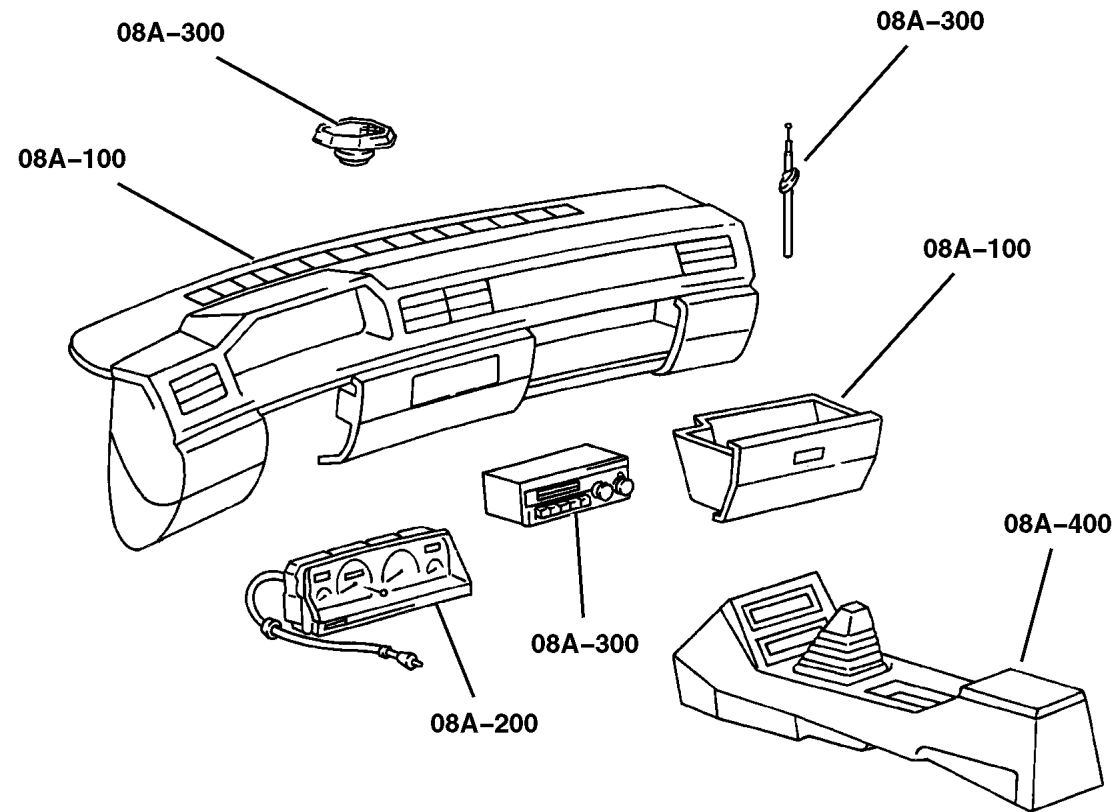
JEEP WRANGLER (TJ)
 SERIES LINE BODY ENGINE TRANSMISSION
 L=Low Line J = Wrangler 4WD 77 = 93.4 WB EPE, EP0 = 2.5L Power Tech DGG, DGD = 32RH 3 Spd. Auto.
 U = Wrangler 4WD (RHD) ERH, ER0 = 4.0L Power Tech DDQ = 5 Spd. Manual
 DG0 = All Auto. Trans.
 DBB =All Manual Trans.

AR = Use as required - = Non illustrated part # = New this model year

June 7, 2002

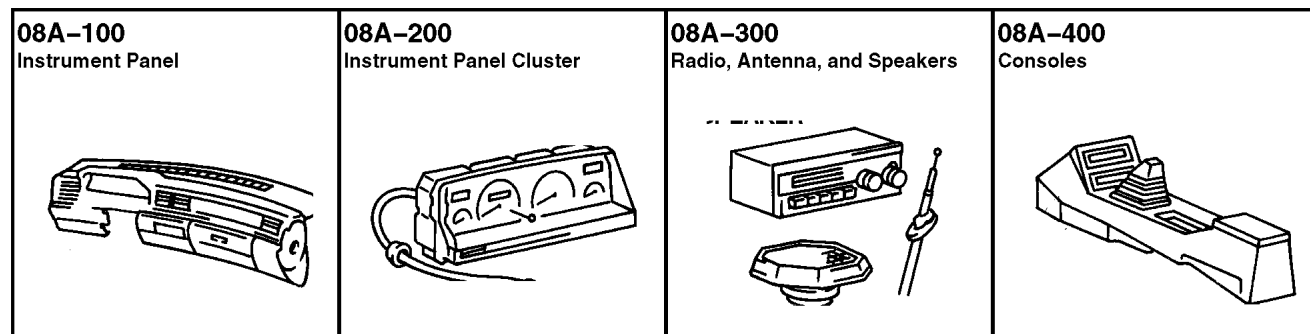
Group – 08A

Instrument Panel and Radios and Consoles

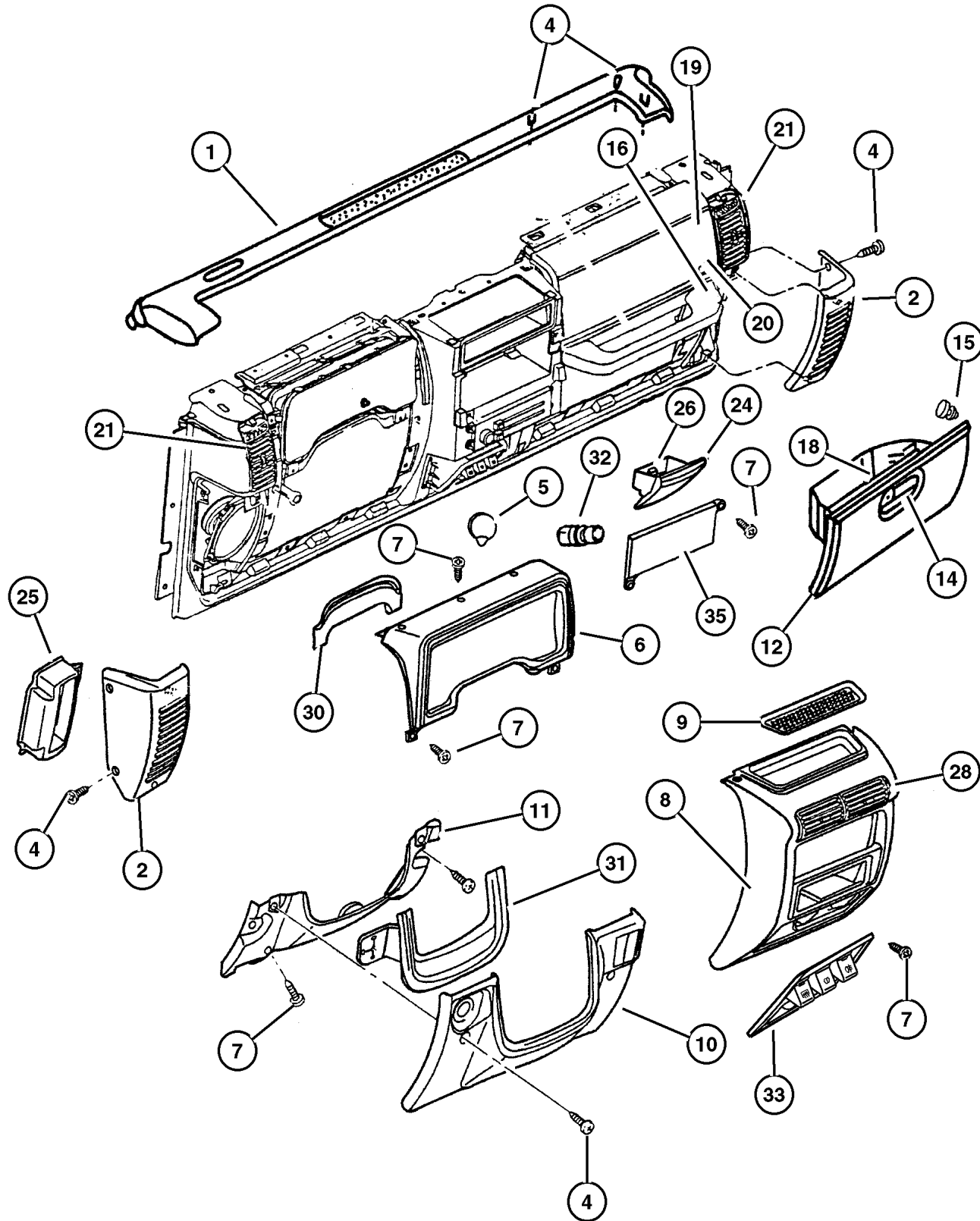


GROUP 8A - Instrument Panel and Radios and Consoles

Illustration Title	Group-Fig. No.
Instrument Panel	
Instrument Panel 1997 TJ	Fig. 08A-110
Instrument Panel 1998 TJ	Fig. 08A-110
Instrument Panel 1999 TJ	Fig. 08A-110
Instrument Panel Cluster	
Instrument Cluster 1997 TJ 1998 TJ	Fig. 08A-210
Instrument Cluster 1999 TJ	Fig. 08A-210
Radio, Antenna, and Speakers	
Radio 1997 TJ	Fig. 08A-315
Radio 1998 TJ	Fig. 08A-315
Radio 1999 TJ	Fig. 08A-315
Antenna 1997 TJ	Fig. 08A-320
Antenna 1998 TJ	Fig. 08A-320
Antenna 1999 TJ	Fig. 08A-320
Speakers 1997 TJ	Fig. 08A-325
Speakers 1998 TJ	Fig. 08A-325
Speakers 1999 TJ	Fig. 08A-325
Consoles	
Consoles Full & Mini 1997 TJ	Fig. 08A-410
Consoles Full & Mini 1998 TJ	Fig. 08A-410
Consoles Full & Mini 1999 TJ	Fig. 08A-410



Instrument Panel 1997 TJ
Figure 08A-110



ITEM	PART NUMBER	QTY	LINE	BODY	DESCRIPTION
1					COVER, Instrument Panel
	5EU5 0TC3	1			Gray
	5EU5 0TT6	1			Saddle
2					BEZEL, Speaker
	5DP1 6TC3	1			Gray, Right
	5DP1 6TT6	1			Saddle, Right
	5DP1 7TC3	1			Gray, Left
	5DP1 7TT6	1			Saddle, Left
-3					CLIP, (NOT REQUIRED)
4	6035 369	6			SCREW, Piercing, .164-15x1.25, Bezel Mounting (.164-15x1.00)
5	5600 8852	1	U	77	CAP, Cigar Lighter, Cigar Lighter
6	5FK5 8TAZ	1	J	77	BEZEL, Instrument Cluster, I/Panel Cluster (Agate)
7	6032 723	2			SCREW, I/Panel Cluster Mounting (M4.2x1.69x19.05)
8					BEZEL, Instrument Panel, Center
	5FK5 7TAZ	1			Black Ash Tray Clips Included (Agate)
		1	J	77	Black Ash Tray Clips Included (Agate)
9	5511 5652	1			MAT, Console Cup Holder, Center Tray Rubber Insert
10					COVER, Instrument Panel, Steering Column Opening
	5DN9 1TC3	1			Gray
	5DN9 1TT6	1			Saddle
11	5511 5187	1			PANEL, Knee Blocker, I/Panel Steering Column Cover
12					GLOVE BOX, Instrument Panel
	5DP56 RC3AC	1			Gray
	5DP56 RT6AC	1			Saddle
-13	5503 7355	1	U		STRAP, Glove Box Door Stop, Check (Glovebox)
14					LATCH, Glovebox
	5EM2 8TC3	1			Gray
	5EM2 8TT6	1			Saddle
15					BUMPER, Glove Box Door
	5503 7224	1			Stop
	5503 7225	2			Inner & Bin
16					HANDLE, Grab, I/Panel
	5DP5 2TC3	1	J		Gray
	5DP5 2TT6	1	J		Saddle
-17					HANDLE, Grab, Bezel Only
	5EE1 1TC3	1	J		Gray
		1	U		Gray
	5EE1 1TT6	1	J		Saddle
		1	U		Saddle
18	5511 5170	1	J		STRIKER, Glove Box Door Latch, I/Panel Glove Box
19	5600 7282	1			AIR BAG, Passenger, Passenger Air Bag
20					DOOR, Passenger Air Bag

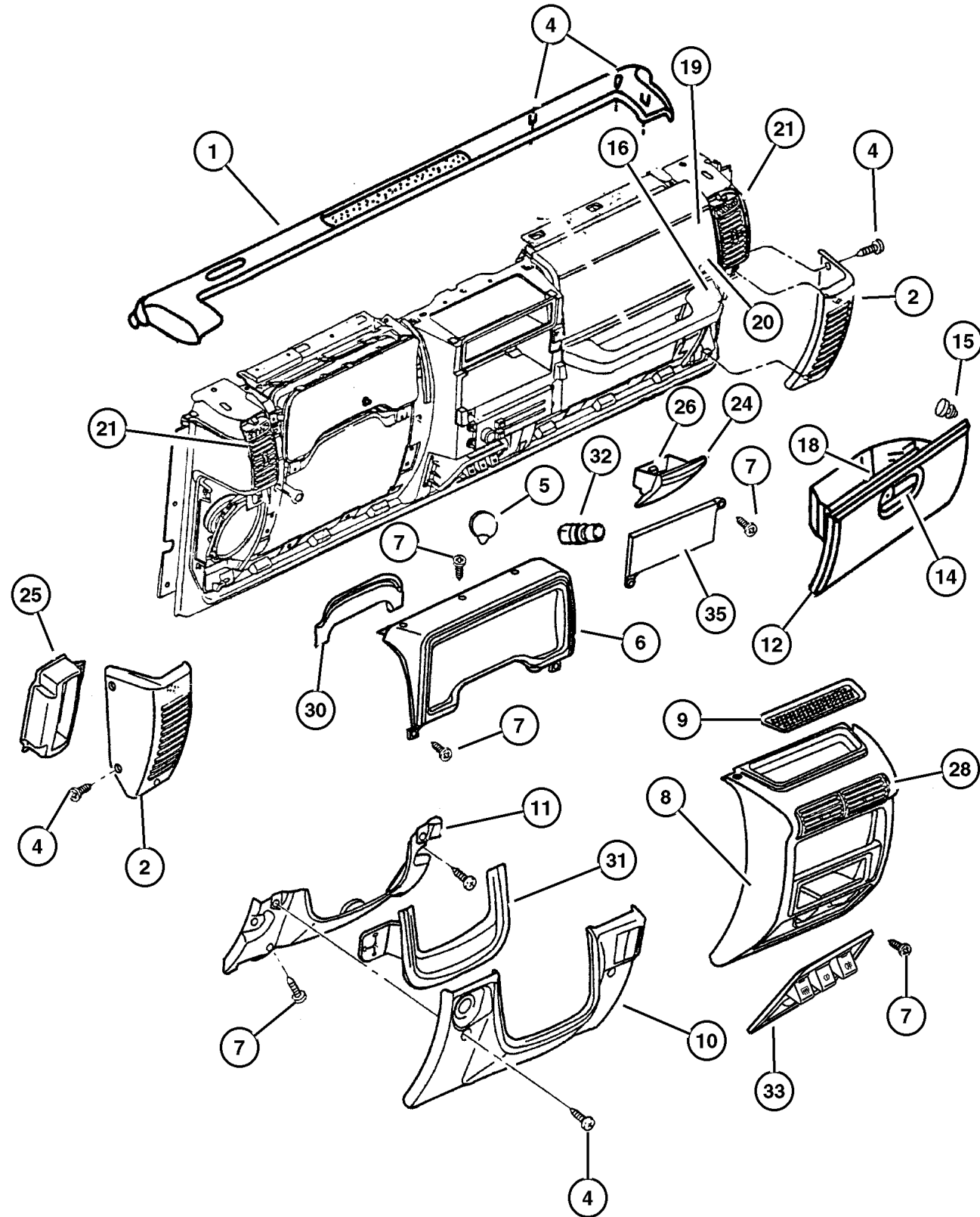
JEEP WRANGLER (TJ)

SERIES	LINE	BODY	ENGINE	TRANSMISSION
L=Low Line	J = Wrangler 4WD U = Wrangler 4WD (RHD)	77 = 93.4 WB	EPE, EP0 = 2.5L Power Tech ERH, ER0 = 4.0L Power Tech	DGG, DGD = 32RH 3 Spd. Auto. DDQ = 5 Spd. Manual DG0 = All Auto. Trans. DBB =All Manual Trans.

AR = Use as required - = Non illustrated part # = New this model year

June 7, 2002

Instrument Panel 1997 TJ
Figure 08A-110



ITEM	PART NUMBER	QTY	LINE	BODY	DESCRIPTION
	5DU3 8TC3	1	J		Gray
	5DU3 8TT6	1	J		Saddle
21	5DP5 4TAZ	1	J		OUTLET, Air Conditioning & Heater (Agate), Right
	5DP5 5TAZ	1	J		(Agate), Left
-22					PANEL, Instrument
	QQ50 1C3AB	1	J		w/o Airbag (Gray), Left Hand Drive
	QQ50 1T6AB	1	J		w/o Airbag (Saddle), Left Hand Drive
	QQ51 1C3AB	1	U		w/o Airbag (Gray), Right Hand Drive
	QQ51 1T6AB	1	U		w/o Airbag (Saddle), Right Hand Drive
-23					PANEL, Instrument, Cosmetic Repair Panel
	5EM2 6TC3	1	J		Cosmetic Repair Panel (Gray)
	5EM2 6TT6	1	J		Cosmetic Repair Panel (Saddle)
24	5FK6 2TAZ	1			ASH RECEIVER, Instrument Panel, Agate
25	5600 9426	2			BAFFLE, Speaker, I/Panel Speaker
26	5503 3543	1			SPRING, Ash Receiver
-27	6035 859	AR			CLIP, Speaker, Ash Receiver Mounting, Ash Receiver Mounting
28	5FS1 0TAZ	2			OUTLET, Air Conditioning & Heater, Air I/Panel Center (Agate)
-29	6503 175	5			CLIP, Quarter Panel, I/Panel, I/Panel (M8.20x17.00)
30					FILLER, I/P To A Pillar, FILLER, Gap (Serviced with I/Panel Cluster Bezel, Item # 6), (NOT SERVICED)
31					FILLER, I/P To A Pillar, FILLER, Gap (Serviced with I/Panel Steering Column Cover Item #10), (NOT SERVICED)
32	4685 370	1			KNOB AND ELEMENT, Cigar Lighter, w/Element, Cigar Lighter
33	56007 314AB	1			BEZEL, Cigar Lighter, Bezel & Plug, 3 Switch Openings & Cigar Lighter
-34	5600 7330	1	J	77	PLUG, Switch Opening
35	4372 399	1			COVER, Radio Opening, I/Panel Radio Opening

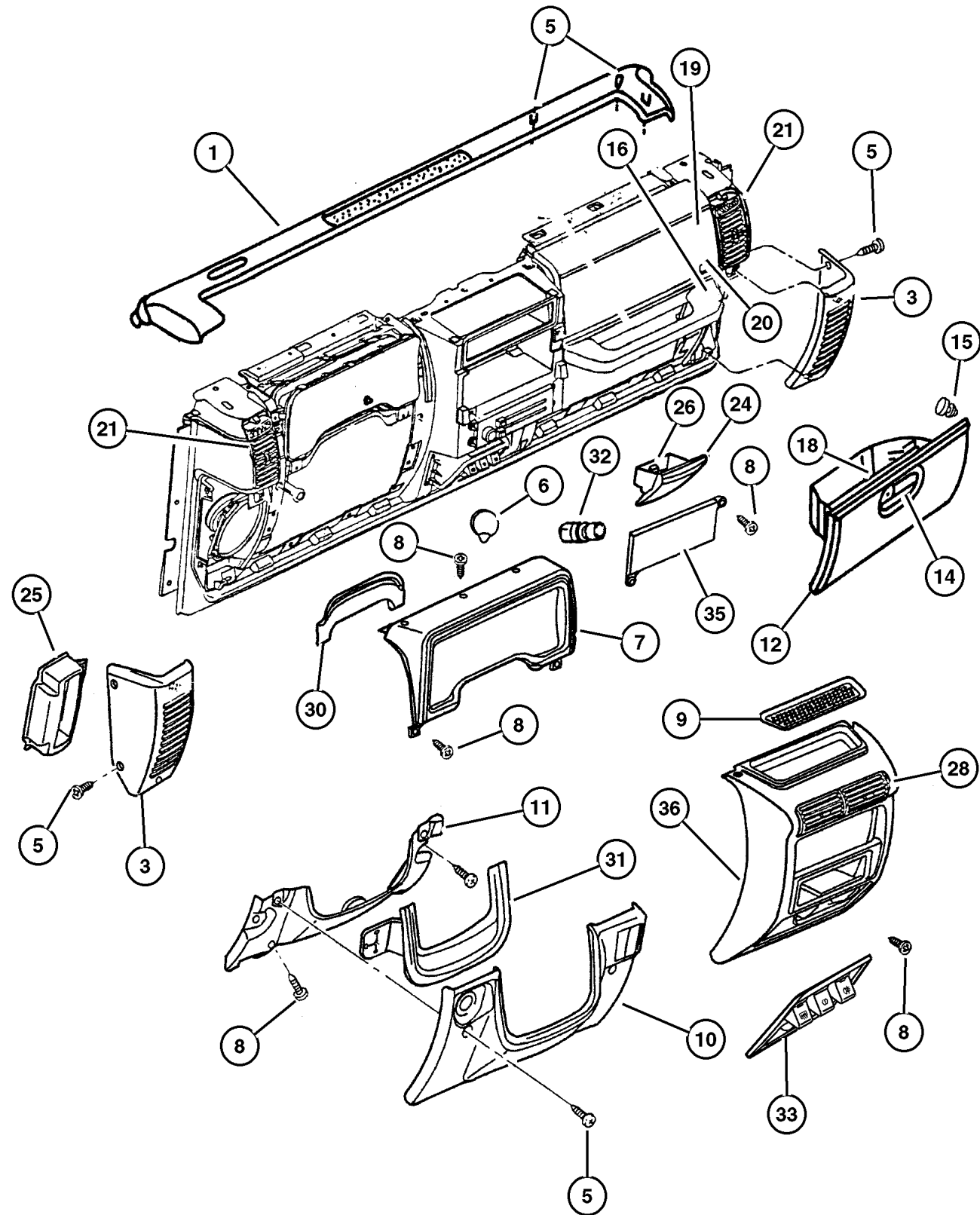
JEEP WRANGLER (TJ)

SERIES	LINE	BODY	ENGINE	TRANSMISSION
L=Low Line	J = Wrangler 4WD U = Wrangler 4WD (RHD)	77 = 93.4 WB	EPE, EP0 = 2.5L Power Tech ERH, ER0 = 4.0L Power Tech	DGG, DGD = 32RH 3 Spd. Auto. DDQ = 5 Spd. Manual DGO = All Auto. Trans. DBB =All Manual Trans.

AR = Use as required - = Non illustrated part # = New this model year

June 7, 2002

Instrument Panel 1998 TJ
Figure 08A-110



ITEM	PART NUMBER	QTY	LINE	BODY	DESCRIPTION
1					COVER, Instrument Panel
	5EU50 RC3AB	1			Gray
	5EU50 RT6AB	1			Saddle
-2	6503 698	6			SCREW AND WASHER, Truss Head, M6-1.00x30.00, I/ Panel Mounting
3					BEZEL, Speaker
	5DP1 6TC3	1			Gray, Right
	5DP1 6TT6	1			Saddle, Right
	5DP1 7TC3	1			Gray, Left
	5DP1 7TT6	1			Saddle, Left
-4	4524 342	2			CLIP
5	6035 369	6			SCREW, Piercing, .164-15x1.25, Bezel Mounting (.164-15x1.00)
6	5600 8852	1			CAP, Cigar Lighter
7	5FK5 8TAZ	1			BEZEL, Instrument Cluster
8	6034 949	5			SCREW
9	5511 5652	1			MAT, Console Cup Holder
10					COVER, Instrument Panel, Steering Column Opening
	5DN91 RC3AB	1			Gray
	5DN91 RT6AB	1			Saddle
11	5511 5187	1			PANEL, Knee Blocker, I/Panel Steering Column Cover
12					GLOVE BOX, Instrument Panel
	5DP56 RC3AC	1			Gray
	5DP56 RT6AC	1			Saddle
-13					STRAP, Glove Box Door Stop
	5503 7355	1	J		
		1	U		
14	5EM2 8TC3	1			LATCH, Glovebox, Gray
15	5503 7225	2			BUMPER, Glove Box Door
16					HANDLE, Grab, I/Panel
	5DP5 2TC3	1	U		Gray
		1	J		Gray
	5DP5 2TT6	1	U		Saddle
		1	J		Saddle
-17					HANDLE, Grab, Bezel Only
	5EE1 1TC3	1	U		Gray
		1	J		Gray
	5EE1 1TT6	1	U		Saddle
		1	J		Saddle
18	5511 5170	1	J		STRIKER, Glove Box Door Latch
19					AIR BAG, Passenger
	55314 982AA	1	U		
		1	J		
20					DOOR, Passenger Air Bag

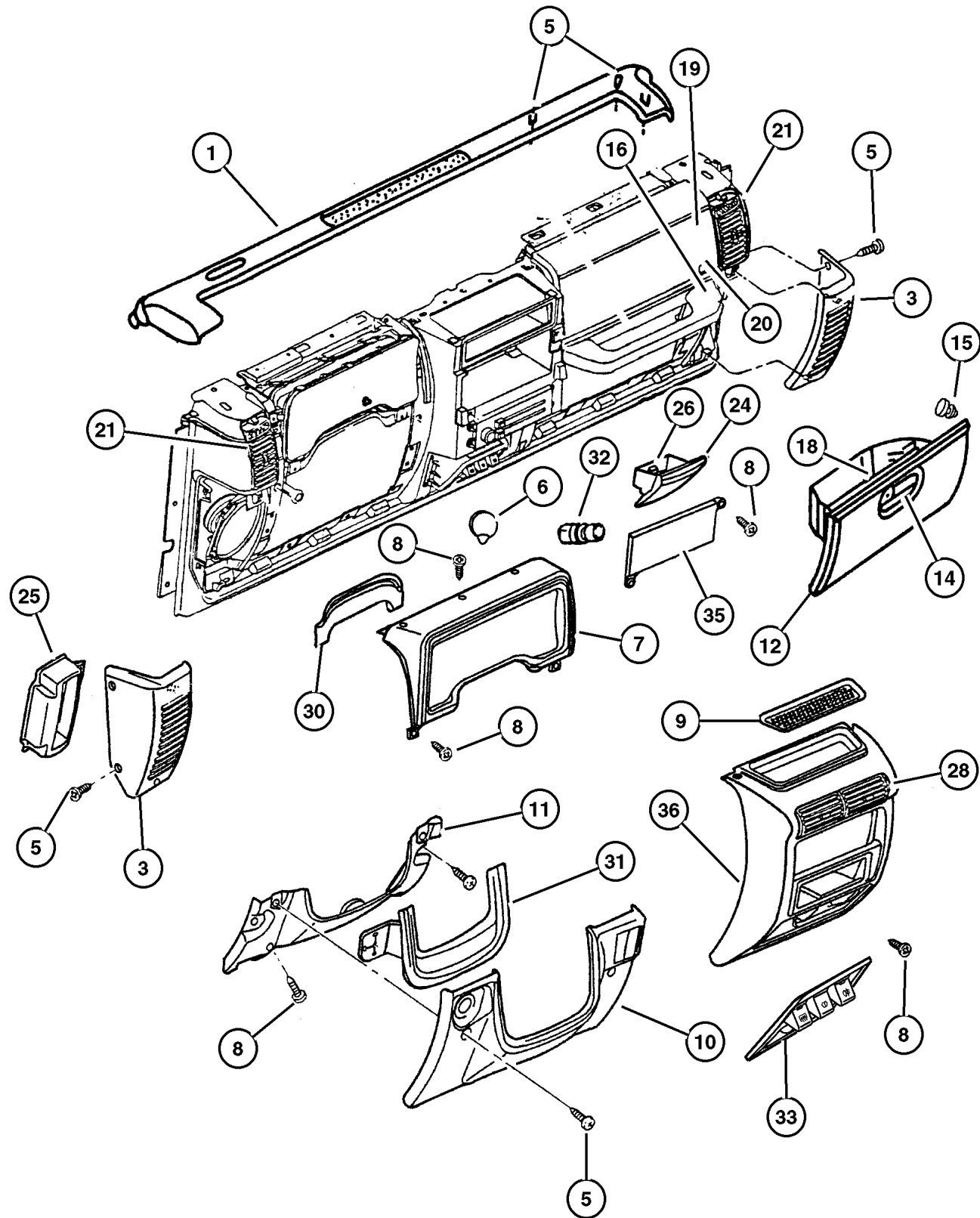
JEEP WRANGLER (TJ)

SERIES	LINE	BODY	ENGINE	TRANSMISSION
L=Low Line	J = Wrangler 4WD U = Wrangler 4WD (RHD)	77 = 93.4 WB	EPE, EP0 = 2.5L Power Tech ERH, ER0 = 4.0L Power Tech	DGG, DGD = 32RH 3 Spd. Auto. DDQ = 5 Spd. Manual DGO = All Auto. Trans. DBB =All Manual Trans.

AR = Use as required - = Non illustrated part # = New this model year

June 7, 2002

Instrument Panel 1998 TJ
Figure 08A-110



ITEM	PART NUMBER	QTY	LINE	BODY	DESCRIPTION
	5DU3 8TC3	1	U		[C3]
		1	J		[C3]
	5DU3 8TT6	1	U		[TJ]
		1	J		[TJ]
		1	J		[T6]
		1	U		[T6]
21	5DP5 4TAZ	1	U		OUTLET, Air Conditioning & Heater, Agate, Right
-22					PANEL, Instrument
	QQ50 1C3AC	1	J		Gray, Left Hand Drive
	QQ50 1T6AB	1	J		Saddle, Left Hand Drive
	QQ51 1C3AC	1	U		Gray, Right Hand Drive
	QQ51 1T6AB	1	U		Saddle, Right Hand Drive
-23					PANEL, Instrument, Cosmetic Repair Panel
	5EM2 6TC3	1	U		(Gray) Cosmetic Repair Panel
	5EM2 6TT6	1	U		(Saddle) Cosmetic Repair Panel
24	5FK6 2TAZ	1			ASH RECEIVER, Instrument Panel, Agate
25	5600 9426	2			BAFFLE, Speaker, I/Panel Speaker
26	5503 3543	1			SPRING, Ash Receiver
-27	6035 859	AR			CLIP, Speaker, Ash Receiver Mounting
28	5FS1 0TAZ	2			OUTLET, Air Conditioning & Heater, Air I/Panel Center (Agate)
-29	6503 175	5			CLIP, Quarter Panel, I/Panel
30					FILLER, I/P To A Pillar, FILLER, Gap (Serviced in Item # 5), (NOT SERVICED)
31					FILLER, I/P To A Pillar, FILLER, Gap (Serviced In Item # 9), (NOT SERVICED)
32	4685 370	1			KNOB AND ELEMENT, Cigar Lighter, w/Element, Cigar Lighter
33	56007 314AC	1			BEZEL, Cigar Lighter, Bezel & Plug, Switch & Cigar Lighter
-34	5600 7330	1			PLUG, Switch Opening
35	4372 399	1			COVER, Radio Opening, I/Panel Radio Opening
36	5FK5 7TAZ	1			BEZEL, Instrument Panel, Center, Black Ash Tray Clips Included (Agate)

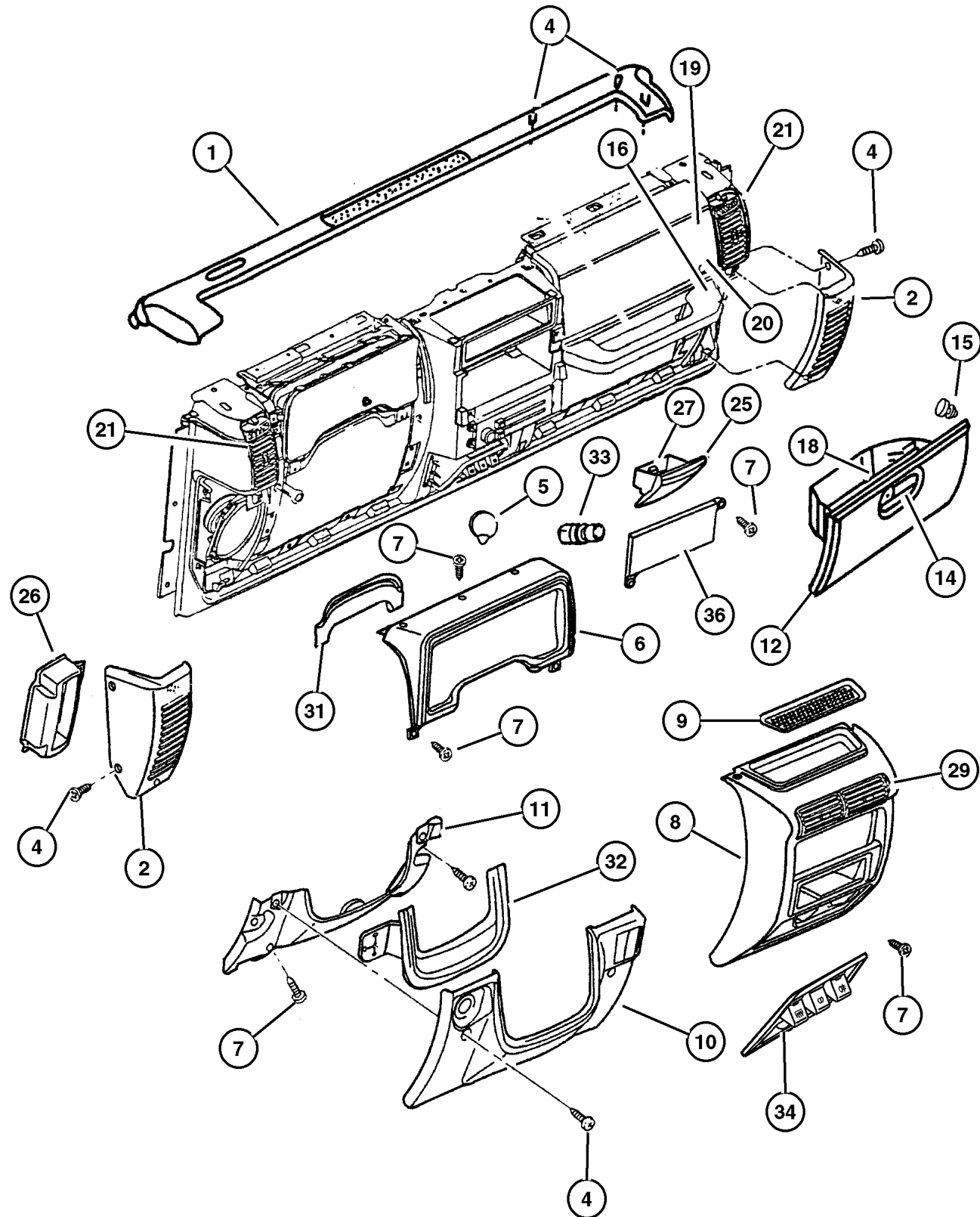
JEEP WRANGLER (TJ)

SERIES	LINE	BODY	ENGINE	TRANSMISSION
L=Low Line	J = Wrangler 4WD U = Wrangler 4WD (RHD)	77 = 93.4 WB	EPE, EP0 = 2.5L Power Tech ERH, ER0 = 4.0L Power Tech	DGG, DGD = 32RH 3 Spd. Auto. DDQ = 5 Spd. Manual DGO = All Auto. Trans. DBB =All Manual Trans.

AR = Use as required - = Non illustrated part # = New this model year

June 7, 2002

Instrument Panel 1999 TJ
Figure 08A-110



ITEM	PART NUMBER	QTY	LINE	BODY	DESCRIPTION
1					COVER, Instrument Panel
	5EU50 LAZAB	1			Agate
	5EU50 RK5AB	1			Tan/Agate
2					BEZEL, Speaker
	5DP1 6LAZ	1			Agate, Right
	5DP1 6RK5	1			Tan/Agate, Right
	5DP1 7LAZ	1			Agate, Left
	5DP1 7RK5	1			Tan/Agate, Left
-3	4524 342	4			CLIP, Speaker Bezel to I/Panel
4	6035 369	6			SCREW, Piercing, .164-15x1.25, Bezel Mounting (.164-15x1.00)
5					CAP, Cigar Lighter, (NOT REQUIRED)
6	5FK5 8TAZ	1			BEZEL, Instrument Cluster, Agate
7	6034 949	5			SCREW
8	5FK5 7TAZ	1			BEZEL, Instrument Panel, Center, (Agate) Black Ash Tray Clip Included
9	5511 5652	1			MAT, Console Cup Holder, Center Tray Rubber Insert
10					COVER, Instrument Panel, Steering Column Opening
	5DN91 LAZAB	1			Agate
	5DN91 RK5AB	1			Tan/Agate
11	5511 5187	1			PANEL, Knee Blocker, I/Panel Steering Column Cover
12					GLOVE BOX, Instrument Panel
	5DP56 LAZAC	1			Agate
	5DP56 RK5AC	1			Tan/Agate
-13					STRAP, Glove Box Door Stop
	5503 7355	1	J		
		1	U		
14					LATCH, Glovebox
	5EM2 8LAZ	1			Agate
	5EM2 8RK5	1			Tan/Agate
15	5503 7225	2			BUMPER, Glove Box Door
16					HANDLE, Grab, I/Panel
	5DP5 2LAZ	1	J		Agate
		1	U		Agate
	5DP5 2RK5	1	J		Tan/Agate
		1	U		Tan/Agate
-17					HANDLE, Grab, Bezel Only
	5EE1 1LAZ	1	J		Agate
		1	U		Agate
	5EE1 1RK5	1	J		Tan/Agate
		1	U		Tan/Agate
18					STRIKER, Glove Box Door Latch
	5511 5170	1	J		

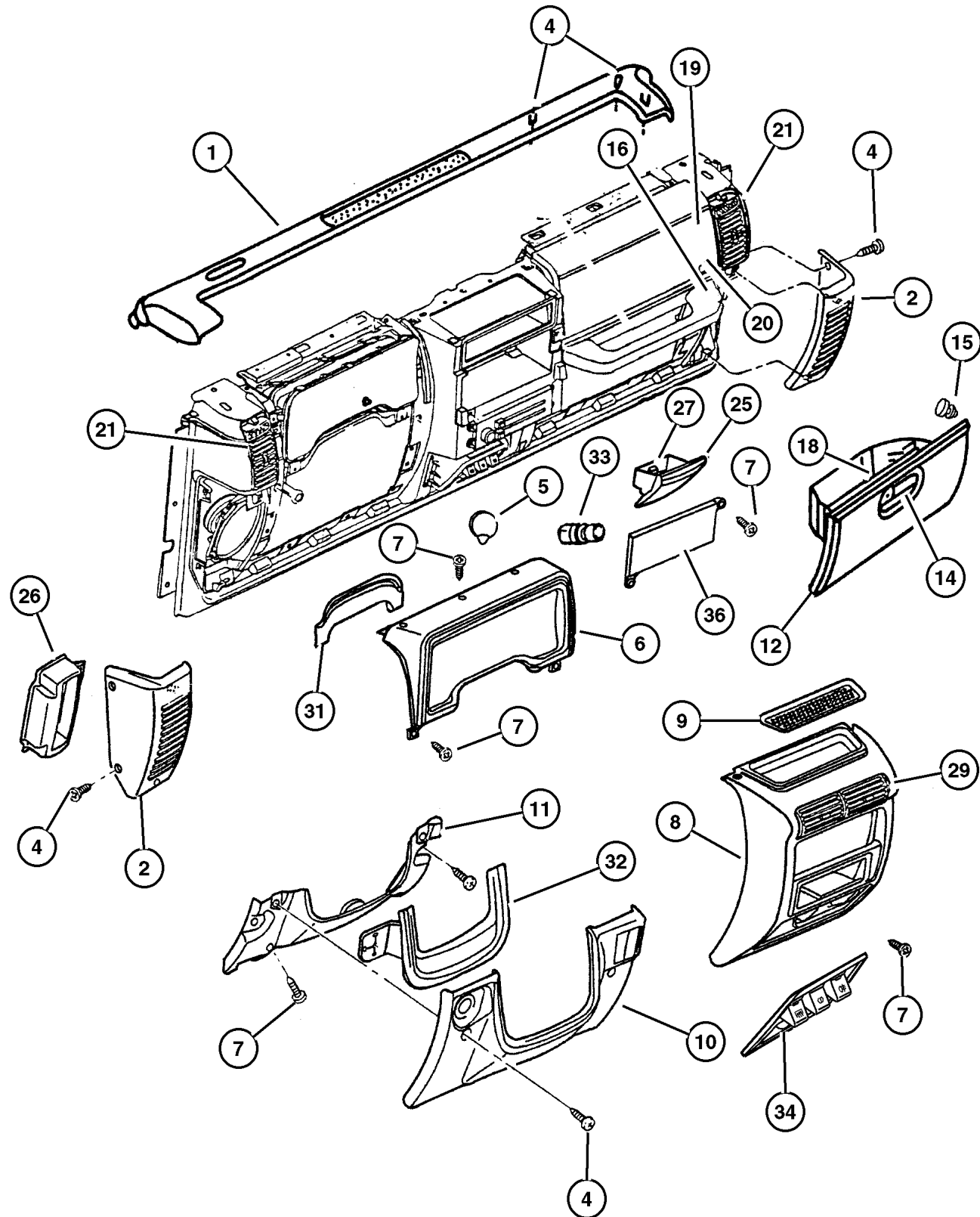
JEEP WRANGLER (TJ)

SERIES	LINE	BODY	ENGINE	TRANSMISSION
L=Low Line	J = Wrangler 4WD U = Wrangler 4WD (RHD)	77 = 93.4 WB	EPE, EP0 = 2.5L Power Tech ERH, ER0 = 4.0L Power Tech	DGG, DGD = 32RH 3 Spd. Auto. DDQ = 5 Spd. Manual DG0 = All Auto. Trans. DBB =All Manual Trans.

AR = Use as required - = Non illustrated part # = New this model year

June 7, 2002

Instrument Panel 1999 TJ
Figure 08A-110



ITEM	PART NUMBER	QTY	LINE	BODY	DESCRIPTION
		1	U		
19	#55314 982AC	1	U		AIR BAG, Passenger Module
		1	J		Module
20					DOOR, Passenger Air Bag
	5DU3 8LAZ	1	J		Agate
		1	U		Agate
	5DU3 8RK5	1	J		Tan/Agate
		1	U		Tan/Agate
21					OUTLET, Air Conditioning & Heater
	5DP5 4TAZ	1	J		Agate, Right
		1	U		Agate, Right
	5DP5 5TAZ	1	U		Agate, Left
		1	J		Agate, Left
-22					PANEL, Instrument
	#SU44 1K5AA	1	J		Tan/Agate
	#SU44 LAZAA	1	J		Agate
	#SU45 1K5AA	1	U		Tan/Agate
	#SU45 LAZAA	1	U		Agate
-23					PANEL, Instrument, Cosmetic Repair Panel
	#5EM26 LAZAB	1	J		Agate
		1	U		Agate
	#5EM26 RK5AB	1	J		Tan/Agate
		1	U		Tan/Agate
-24	6503 698	6			SCREW AND WASHER, Truss Head, M6-1.00x30.00, I/ Panel to Body Cowl
25	5FK6 2TAZ	1			ASH RECEIVER, Instrument Panel, Agate
26	5600 9426	2			BAFFLE, Speaker, I/Panel Speaker
27	5503 3543	1			SPRING, Ash Receiver
-28	6035 859	AR			CLIP, Speaker, Ash Receiver Mounting
29					OUTLET, Air Conditioning & Heater, (NOT REQUIRED)
-30	6503 175	5			CLIP, Quarter Panel, I/Panel
31					FILLER, I/P To A Pillar, FILLER, Gap (Serviced in Item # 5), (NOT SERVICED)
32					FILLER, I/P To A Pillar, FILLER, Gap (Serviced In Item # 9), (NOT SERVICED)
33	4685 370	1			KNOB AND ELEMENT, Cigar Lighter, w/Element, Cigar Lighter
34	56007 314AC	1			BEZEL, Cigar Lighter, Bezel & Plug, Switch & Cigar Lighter
-35	5600 7330	1			PLUG, Switch Opening
36	4372 399	1			COVER, Radio Opening, I/Panel Radio Opening
-37	6503 698	6			SCREW AND WASHER, Truss Head, M6-1.00x30.00, I/ Panel to Cowl Attaching

JEEP WRANGLER (TJ)

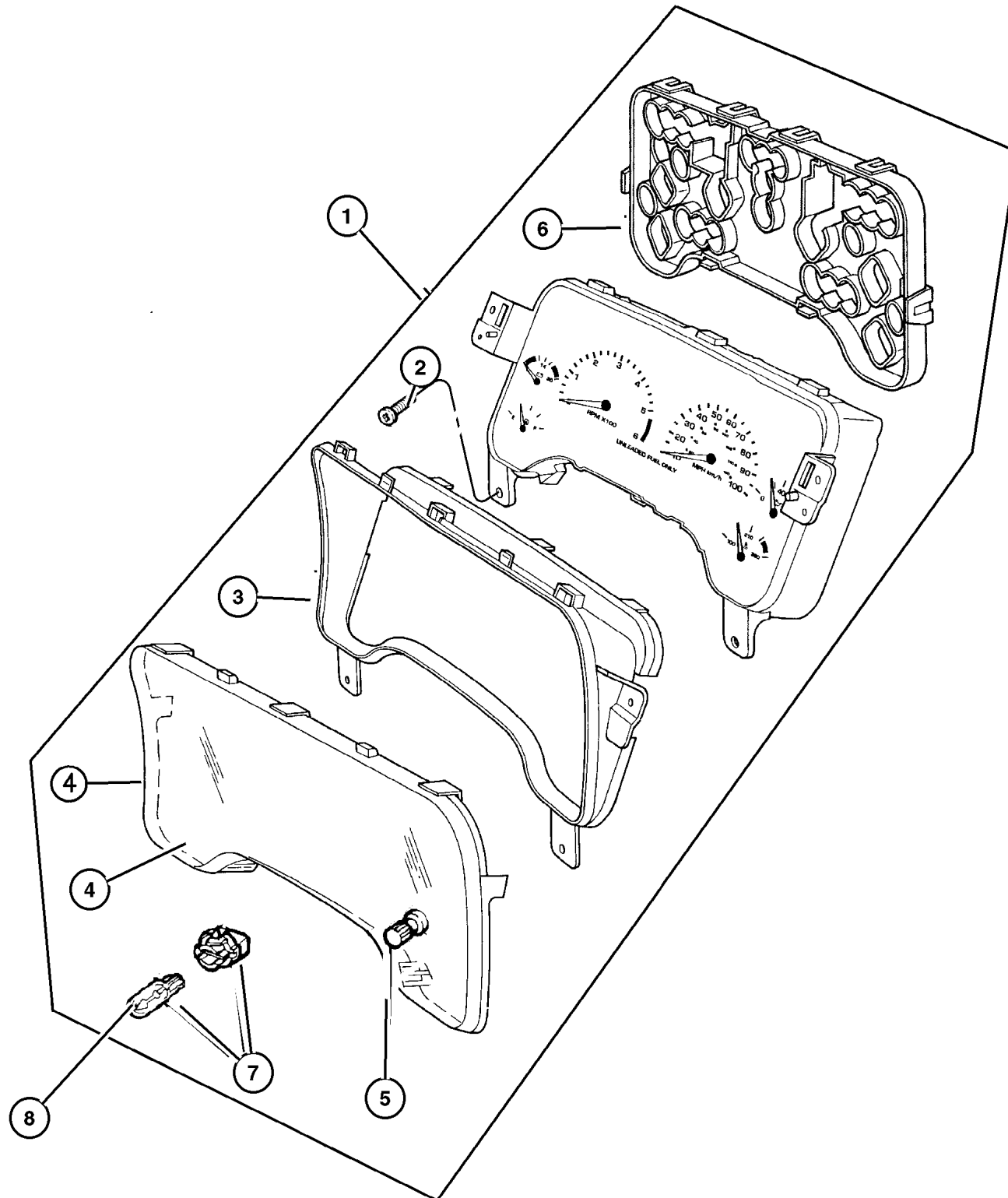
SERIES	LINE	BODY	ENGINE	TRANSMISSION
L=Low Line	J = Wrangler 4WD U = Wrangler 4WD (RHD)	77 = 93.4 WB	EPE, EP0 = 2.5L Power Tech ERH, ER0 = 4.0L Power Tech	DGG, DGD = 32RH 3 Spd. Auto. DDQ = 5 Spd. Manual DG0 = All Auto. Trans. DBB =All Manual Trans.

AR = Use as required - = Non illustrated part # = New this model year

June 7, 2002

Instrument Cluster 1997 TJ 1998 TJ
Figure 08A-210

ITEM	PART NUMBER	QTY	LINE	BODY	DESCRIPTION
1					CLUSTER
	56009 170AB	1			Miles, 1997 TJ
	56009 170AC	1			100 MPH, 1998 TJ
	56009 171AB	1			Kilos, 1997 TJ
	56009 171AC	1			180 KPH, 1998 TJ
	56009 172AB	1	U		Miles United Kingdom, Mandatory (UNITED KINGDOM), 1997 TJ, Mandatory (UNITED KINGDOM)
	56009 172AC	1	U		110 MPH, Mandatory (UNITED KINGDOM MARKET PACKAGE), 1998 TJ, Mandatory (UNITED KINGDOM MARKET PACKAGE)
	56009 174AB	1	U		Kilos Europe, 1997 TJ
	56009 174AC	1	U		180 KPH, 1998 TJ
2	6032 723	4			SCREW
3	4874 344	1			MASK, Instrument Cluster
4	4874 345	1			LENS, Cluster
5	4874 346	1			GROMMET, Speedometer Trip Reset
6	4874 348	1			COVER, Cluster
7					BULB AND SOCKET
	4874 122	1			1998 TJ
	4874 349	5	J	77	1997 TJ
		5	U	77	1997 TJ
8					BULB, PC74
	L000 PC74	1			1997 TJ
		10			1998 TJ



JEEP WRANGLER (TJ)

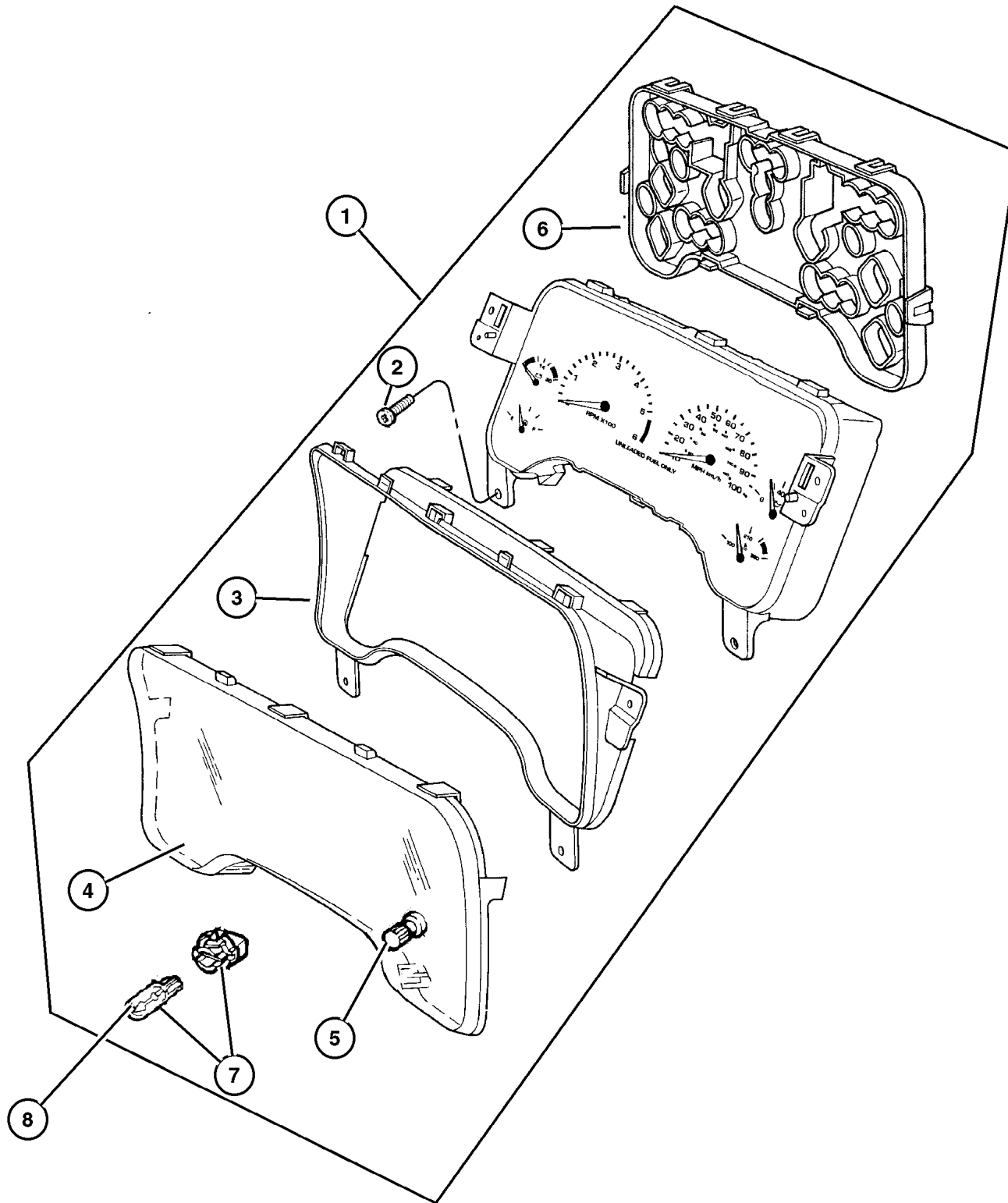
SERIES	LINE	BODY	ENGINE	TRANSMISSION
L=Low Line	J = Wrangler 4WD U = Wrangler 4WD (RHD)	77 = 93.4 WB	EPE, EP0 = 2.5L Power Tech ERH, ER0 = 4.0L Power Tech	DGG, DGD = 32RH 3 Spd. Auto. DDQ = 5 Spd. Manual DG0 = All Auto. Trans. DBB =All Manual Trans.

AR = Use as required - = Non illustrated part # = New this model year

June 7, 2002

Instrument Cluster 1999 TJ
Figure 08A-210

ITEM	PART NUMBER	QTY	LINE	BODY	DESCRIPTION
1					CLUSTER, Repair Center for Replacement
	#56009 170AE	1			After 01/31/99) 2.5L & 4.0L Engines w/100 MPH (Huntsville w/Stamp # 7910)
	#56009 171AE	1			After 01/31/99) 2.5L & 4.0L Engines w/180 KPH (Huntsville w/Stamp # 7910)
	#56009 172AE	1	U		After 01/31/99) 2.5L & 4.0L Engines w/110 MPH (UNITED KINGDOM) Huntsville w/Stamp # 7910
	#56009 174AE	1	U		After 01/31/99) 2.5L & 4.0L Engines w/180 KPH (EUROPE) Huntsville w/Stamp # 7910
	56009 170AC	1			(Before 02/01/99) 2.5L & 4.0L Engines w/100 MPH, Nippon Seiki
	56009 171AC	1			(Before 02/01/99) 2.5L & 4.0L Engines w/180 KPH, Nippon Seiki
	56009 172AC	1	U		(Before 02/01/99) 2.5L & 4.0L Engines w/110 MPH, Nippon Seiki (United Kingdom)
	56009 174AC	1	U		(Before 02/01/99) 2.5L & 4.0L Engines w/180 KPH, Nippon Seiki (Europe)
2	6034 949	4			SCREW
3	4874 344	1			MASK, Instrument Cluster
4	4874 345	1	U		LENS, Cluster
5	4874 346	1	U		GROMMET, Speedometer Trip Reset
6	4874 348	1	U		COVER, Cluster
7	4874 349	5			BULB AND SOCKET
8	L000 PC74	10			BULB, PC74



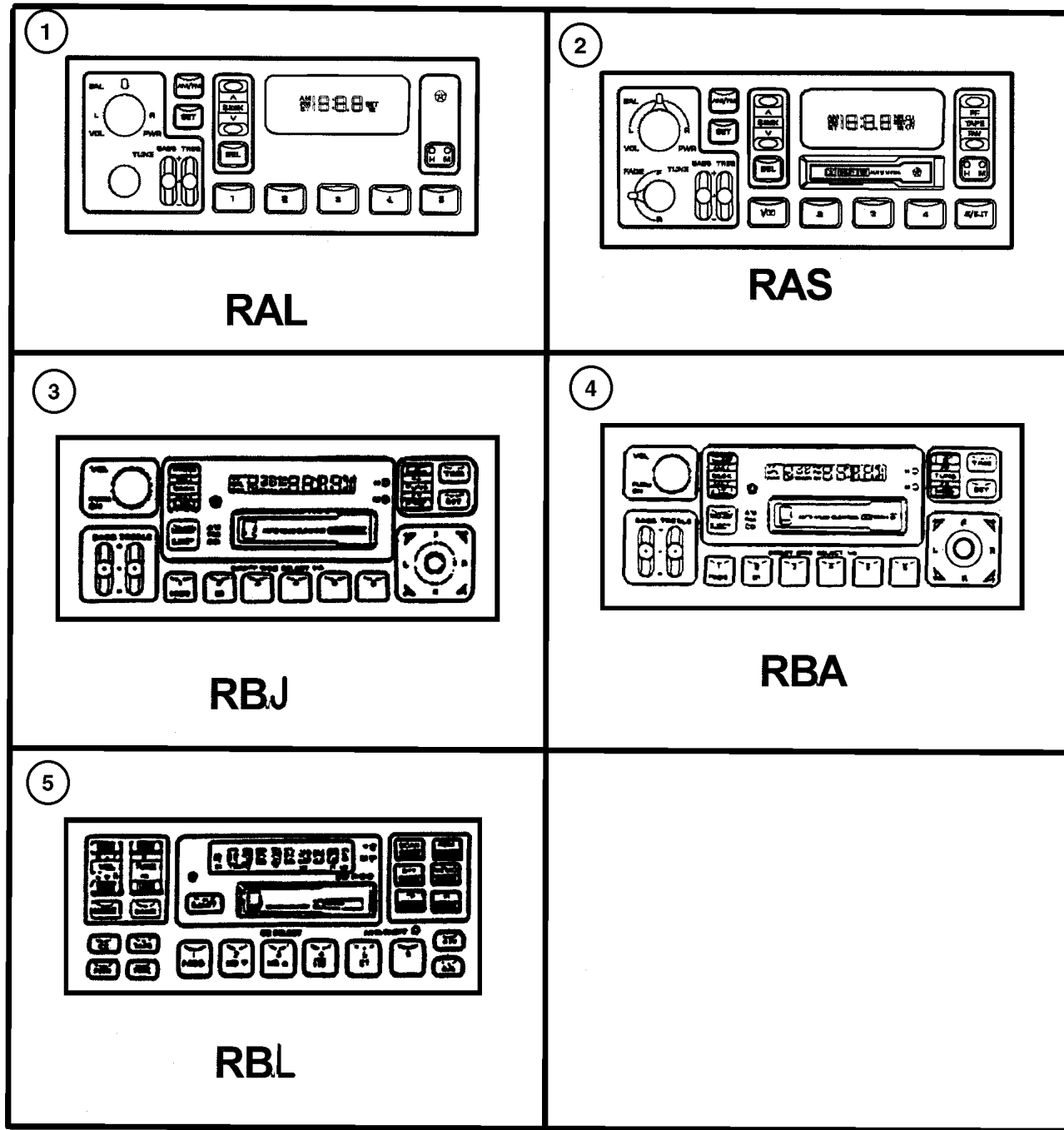
JEEP WRANGLER (TJ)

SERIES	LINE	BODY	ENGINE	TRANSMISSION
L=Low Line	J = Wrangler 4WD U = Wrangler 4WD (RHD)	77 = 93.4 WB	EPE, EP0 = 2.5L Power Tech ERH, ER0 = 4.0L Power Tech	DGG, DGD = 32RH 3 Spd. Auto. DDQ = 5 Spd. Manual DG0 = All Auto. Trans. DBB =All Manual Trans.

AR = Use as required - = Non illustrated part # = New this model year

June 7, 2002

Radio 1997 TJ
Figure 08A-315



ITEM	PART NUMBER	QTY	LINE	BODY	DESCRIPTION
RAL=AM/FM Stereo					
RAS=AM/FM Cassette					
RBA=AM/FM w/Cassette & CD Changer Control (Australia, Europe, Middle East & Taiwan)					
RBJ=Midline AM/FM w/Cassette & CD Changer Control (Japan)					
RBL=AM/FM w/ Cassette & CD Changer Control (EUROPE)					
1	4858 560AB	1			RADIO, AM/FM Stereo, RAL (4 Speakers w/Sound Bar)
2	4704 354	1	J	77	RADIO, RAS (4 Speakers w/Sound Bar)
3	4704 393AB	1	U		RADIO, AM/FM with CD, RBJ
4	4704 392AB	1			RADIO, AM/FM with CD, RBA
5	5269 484	1	J	77	RADIO, RBL (4 Speakers w/Sound Bar)
-6					STRAP, Ground
	5600 9161	1			Engine to Frame to Hood
	5600 9160	1			Engine to Frame

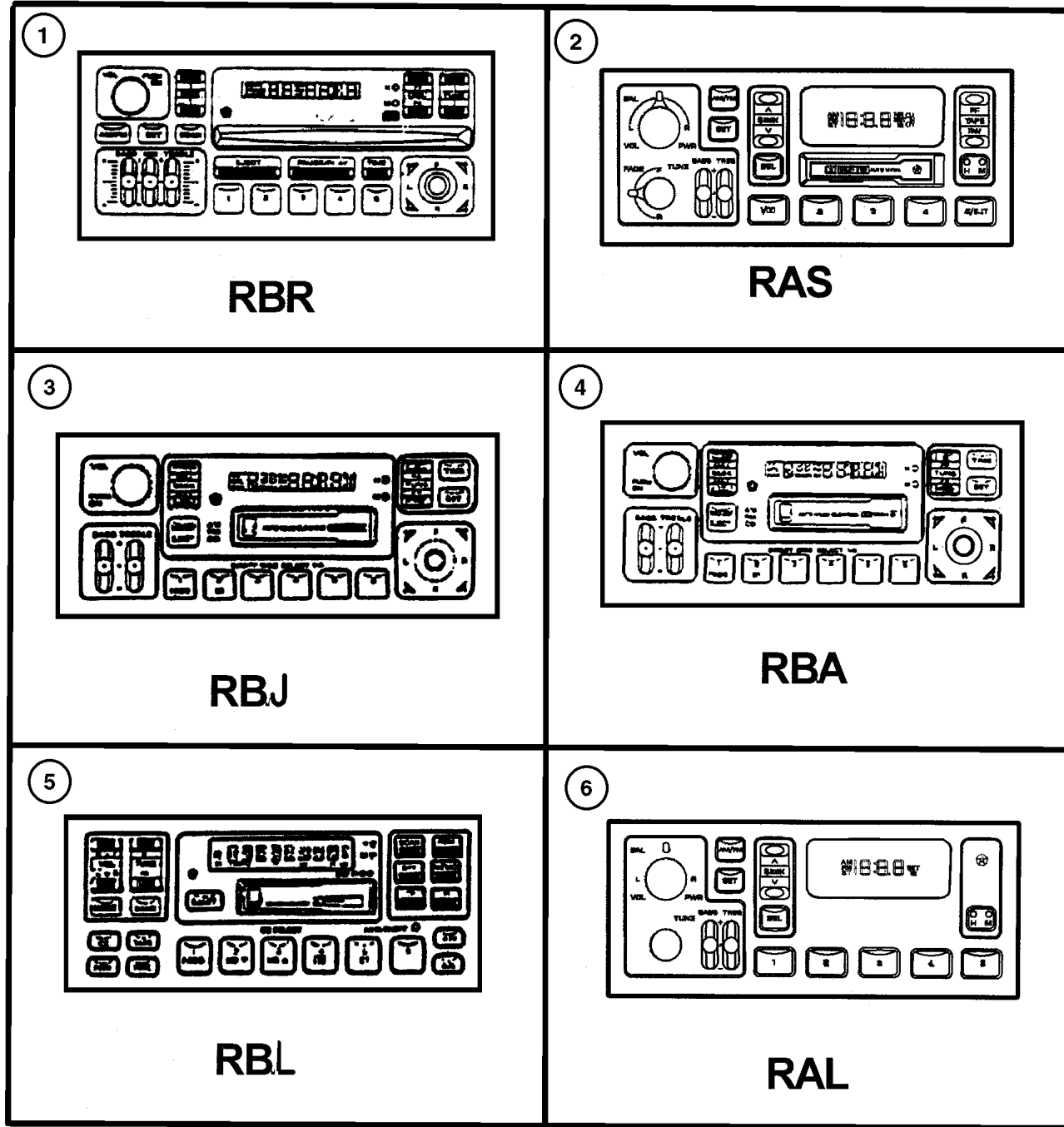
JEEP WRANGLER (TJ)

SERIES	LINE	BODY	ENGINE	TRANSMISSION
L=Low Line	J = Wrangler 4WD U = Wrangler 4WD (RHD)	77 = 93.4 WB	EPE, EP0 = 2.5L Power Tech ERH, ER0 = 4.0L Power Tech	DGG, DGD = 32RH 3 Spd. Auto. DDQ = 5 Spd. Manual DG0 = All Auto. Trans. DBB =All Manual Trans.

AR = Use as required - = Non illustrated part # = New this model year

June 7, 2002

Radio 1998 TJ
Figure 08A-315



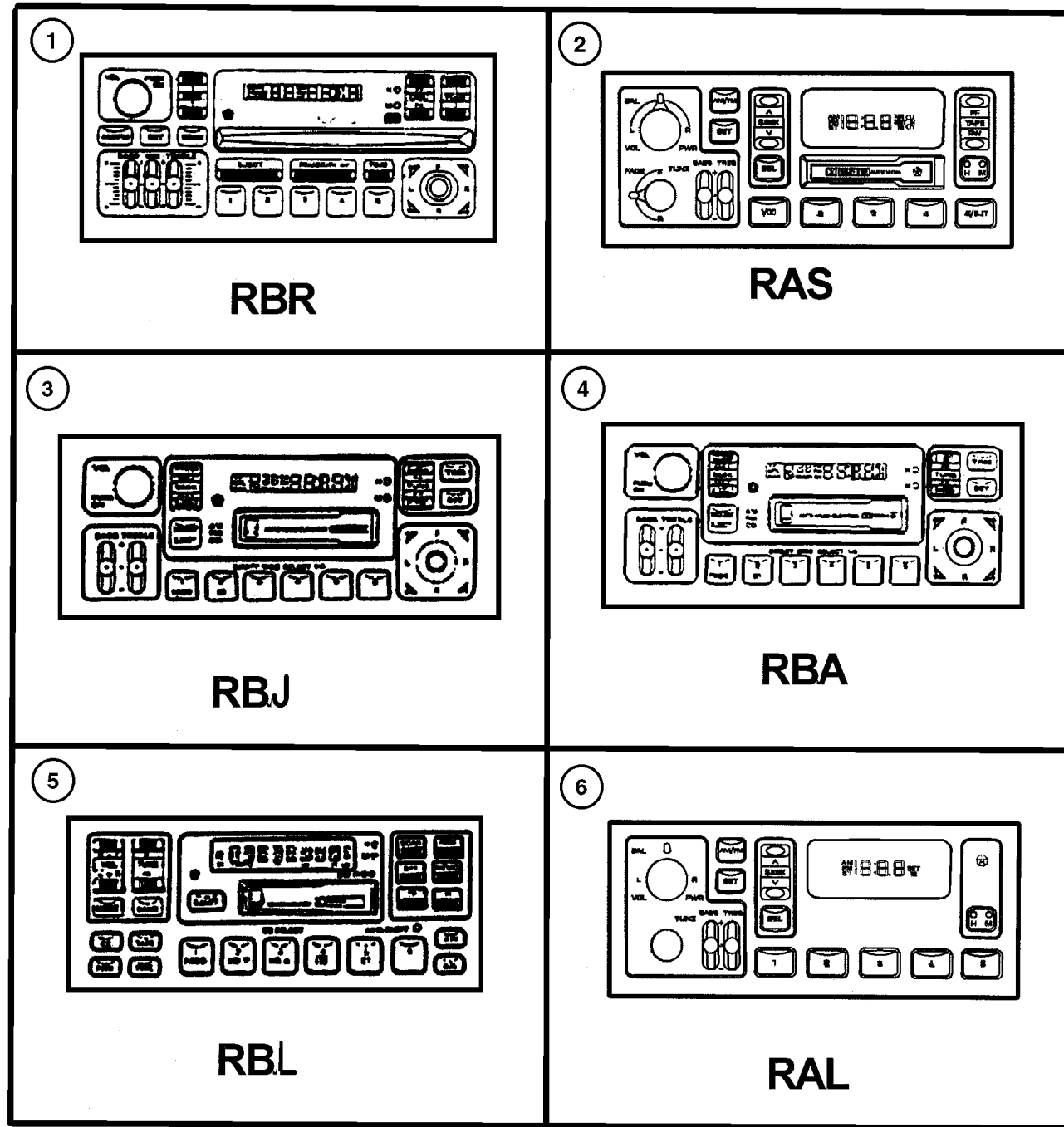
ITEM	PART NUMBER	QTY	LINE	BODY	DESCRIPTION
RAL=AM/FM Stereo					
RAS=AM/FM Cassette					
RBA=AM/FM w/Cassette & CD Changer Control (Australia, Europe, Middle East & Taiwan)					
RBJ=Midline AM/FM w/Cassette & CD Changer Control (Japan)					
RBL=AM/FM w/ Cassette & CD Changer Control (EUROPE)					
RBR=AM/FM w/CD & Equalizer					
1	4704 373AD	1			RADIO, AM/FM with CD and Equalizer, RBR
2	4858 556AC	1			RADIO, AM/FM Cassette, RAS
3	4704 393AC	1	U		RADIO, AM/FM with CD, RBJ
4	4704 392AC	1			RADIO, AM/FM with CD, RBA
5	5269 484	1			RADIO, RBL
6					RADIO, AM/FM Stereo
	4858 562AD	1			RAL (w/2 Speakers)
	4858 560AD	1			RAL (w/4 Speakers)
-7					STRAP, Ground
	5600 9161	1			Engine to Frame to Hood
	5600 9160	1			Engine to Frame

JEEP WRANGLER (TJ)

SERIES	LINE	BODY	ENGINE	TRANSMISSION
L=Low Line	J = Wrangler 4WD U = Wrangler 4WD (RHD)	77 = 93.4 WB	EPE, EP0 = 2.5L Power Tech ERH, ER0 = 4.0L Power Tech	DGG, DGD = 32RH 3 Spd. Auto. DDQ = 5 Spd. Manual DG0 = All Auto. Trans. DBB =All Manual Trans.

AR = Use as required - = Non illustrated part # = New this model year

Radio 1999 TJ
Figure 08A-315



ITEM	PART NUMBER	QTY	LINE	BODY	DESCRIPTION
RAL=AM/FM Stereo					
RAS=AM/FM Cassette					
RBA=AM/FM w/Cassette & CD Changer Control (Australia, Europe, Middle East & Taiwan)					
RBJ=Midline AM/FM w/Cassette & CD Changer Control (Japan)					
RBL=AM/FM w/ Cassette & CD Changer Control (EUROPE)					
RBR=AM/FM w/CD & Equalizer					
1	4704 373AD	1			RADIO, AM/FM with CD and Equalizer, (RBR)
2	4858 556AD	1			RADIO, AM/FM Cassette, (RAS) w/4 Speakers & Soundbar
3	#4704 393AD	1	U		RADIO, AM/FM with CD, (RBJ) EUROPE
4	4704 392AD	1			RADIO, AM/FM with CD, (RBA)
5	#5269 484AB	1			RADIO, (RBL) EUROPE
6	4858 562AD	1			RADIO, AM/FM Stereo (RAL) w/2 Speakers
	4858 560AD	1			(RAL) w/ 4 Speakers w/Sound Bar
-7	5600 9159	1			STRAP, Ground, Radio Rear
-8	5600 9160	1			STRAP, Ground, Engine/Frame
-9	5600 9161	1			STRAP, Ground, Engine/Body/Hood

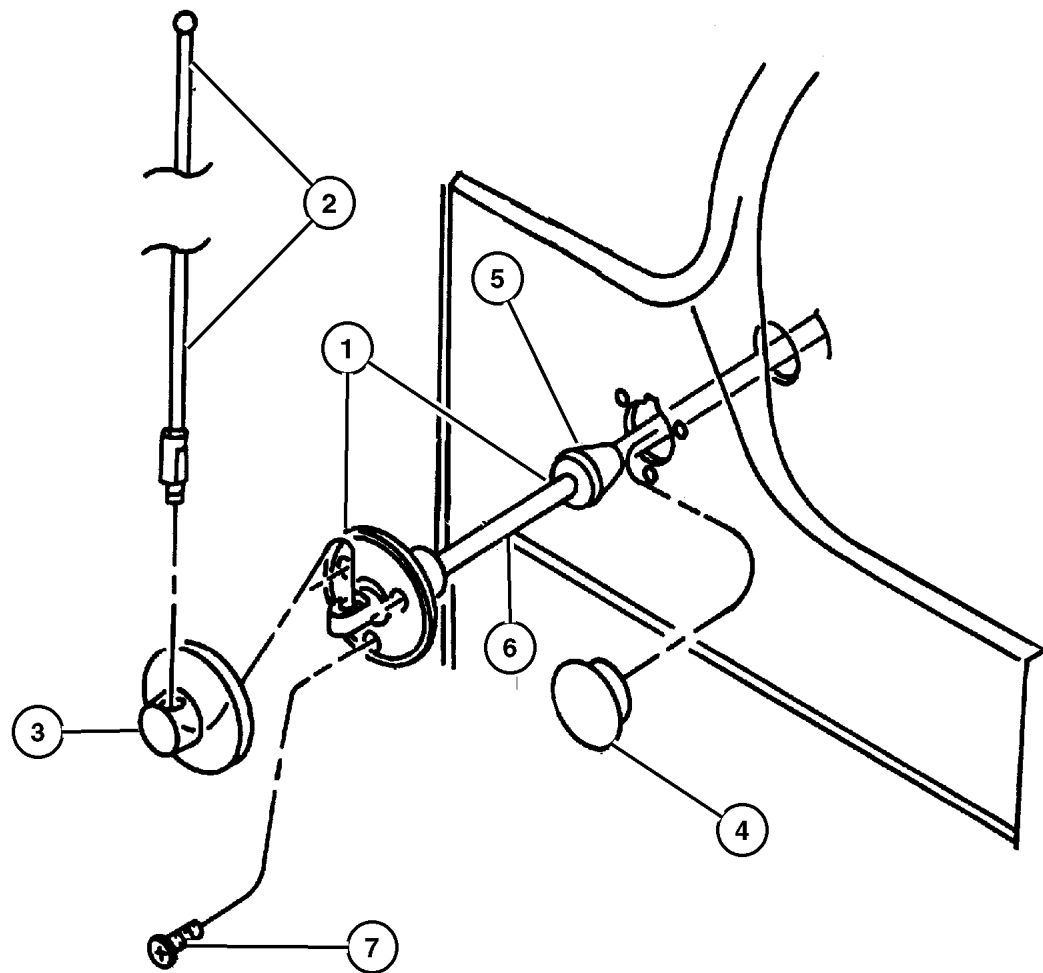
JEEP WRANGLER (TJ)

SERIES	LINE	BODY	ENGINE	TRANSMISSION
L=Low Line	J = Wrangler 4WD U = Wrangler 4WD (RHD)	77 = 93.4 WB	EPE, EP0 = 2.5L Power Tech ERH, ER0 = 4.0L Power Tech	DGG, DGD = 32RH 3 Spd. Auto. DDQ = 5 Spd. Manual DG0 = All Auto. Trans. DBB =All Manual Trans.

AR = Use as required - = Non illustrated part # = New this model year

Antenna 1997 TJ
Figure 08A-320

ITEM	PART NUMBER	QTY	LINE	BODY	DESCRIPTION
1	5600 8788	1	J	77	ANTENNA, Base Cable And Bracket
2	5600 9081	1	J	77	MAST, Antenna, Black
3	5603 8504	1			COVER, Antenna Opening
4	5600 8929	1			PLUG, Antenna Hole
5					GROMMET, Antenna, (NOT SERVICED)
6	5600 8786	1	J	77	CABLE, Antenna
7					SCREW, .164-18x.75, (NOT SERVICED)



JEEP WRANGLER (TJ)

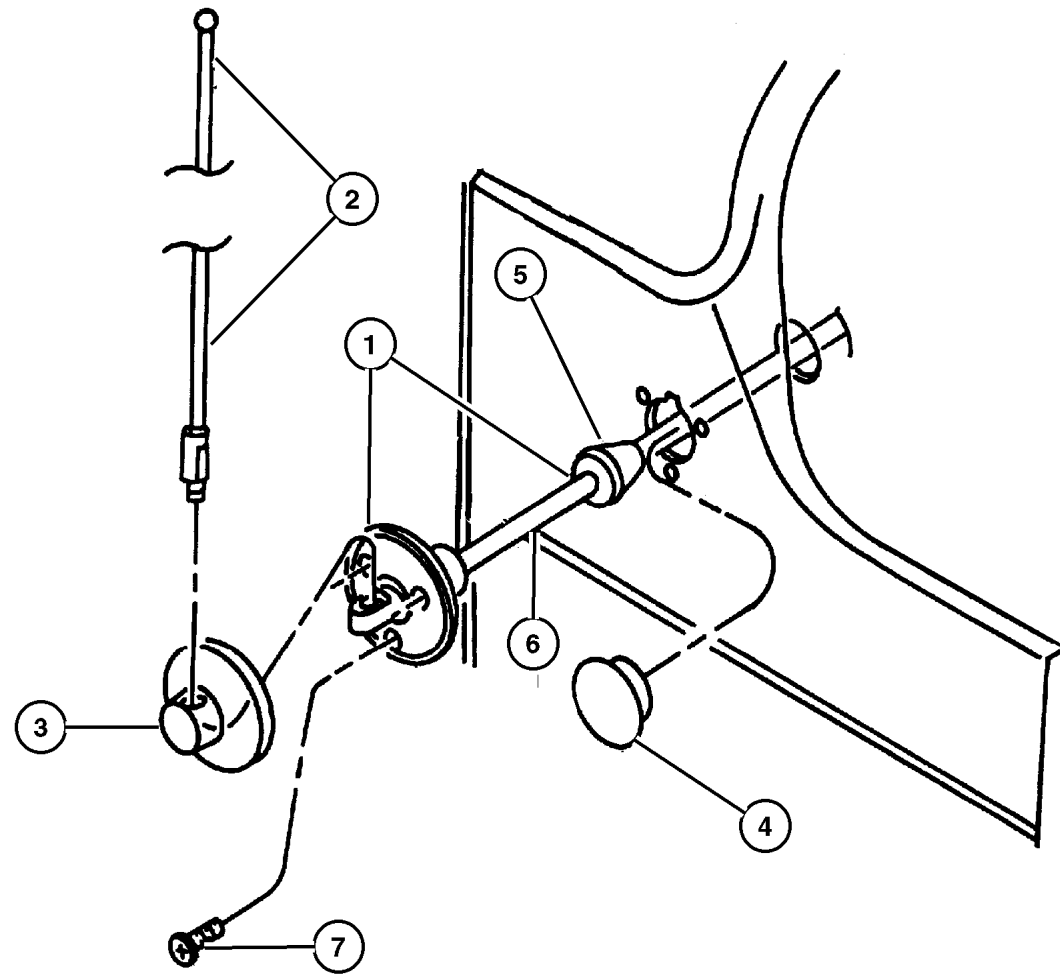
SERIES	LINE	BODY	ENGINE	TRANSMISSION
L=Low Line	J = Wrangler 4WD U = Wrangler 4WD (RHD)	77 = 93.4 WB	EPE, EP0 = 2.5L Power Tech ERH, ER0 = 4.0L Power Tech	DGG, DGD = 32RH 3 Spd. Auto. DDQ = 5 Spd. Manual DG0 = All Auto. Trans. DBB =All Manual Trans.

AR = Use as required - = Non illustrated part # = New this model year

June 7, 2002

Antenna 1998 TJ
Figure 08A-320

ITEM	PART NUMBER	QTY	LINE	BODY	DESCRIPTION
1	5600 8788	1			ANTENNA, Base Cable And Bracket
2	5600 9081	1			MAST, Antenna
3	5603 8504	1			COVER, Antenna Opening
4	5600 8929	1			PLUG, Antenna Hole
5					GROMMET, Antenna, (NOT SERVICED)
6	5600 8786	1			CABLE, Antenna
7					SCREW, .164-18x.75, (NOT SERVICED)



JEEP WRANGLER (TJ)

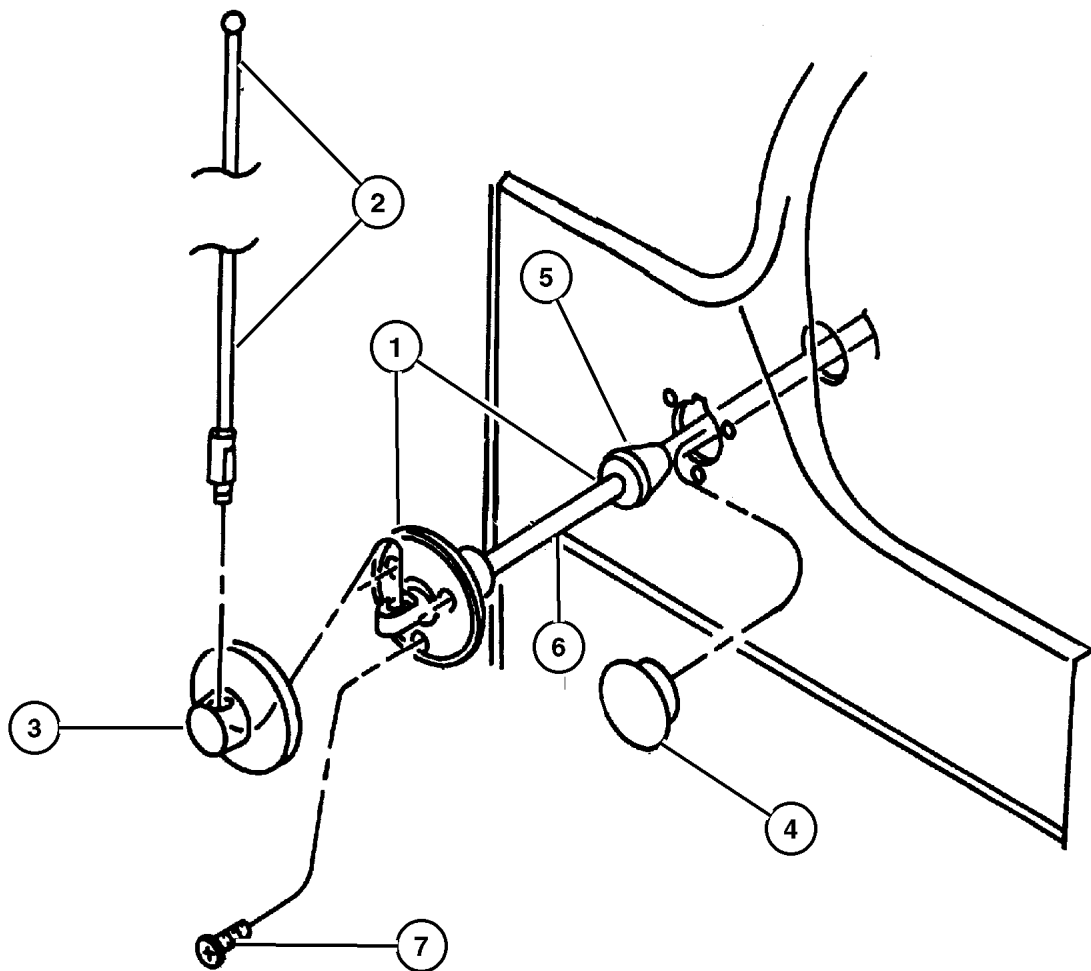
SERIES	LINE	BODY	ENGINE	TRANSMISSION
L=Low Line	J = Wrangler 4WD U = Wrangler 4WD (RHD)	77 = 93.4 WB	EPE, EP0 = 2.5L Power Tech ERH, ER0 = 4.0L Power Tech	DGG, DGD = 32RH 3 Spd. Auto. DDQ = 5 Spd. Manual DG0 = All Auto. Trans. DBB =All Manual Trans.

AR = Use as required - = Non illustrated part # = New this model year

June 7, 2002

Antenna 1999 TJ
Figure 08A-320

ITEM	PART NUMBER	QTY	LINE	BODY	DESCRIPTION
1	5600 8788	1			ANTENNA, Base Cable And Bracket
2	5600 9081	1			MAST, Antenna
3	5603 8504	1			COVER, Antenna Opening
4	5600 8929	1			PLUG, Antenna Hole
5					GROMMET, Antenna, (NOT SERVICED)
6	5600 8786	1			CABLE, Antenna
7					SCREW, .164-18x.75, (NOT SERVICED)



JEEP WRANGLER (TJ)

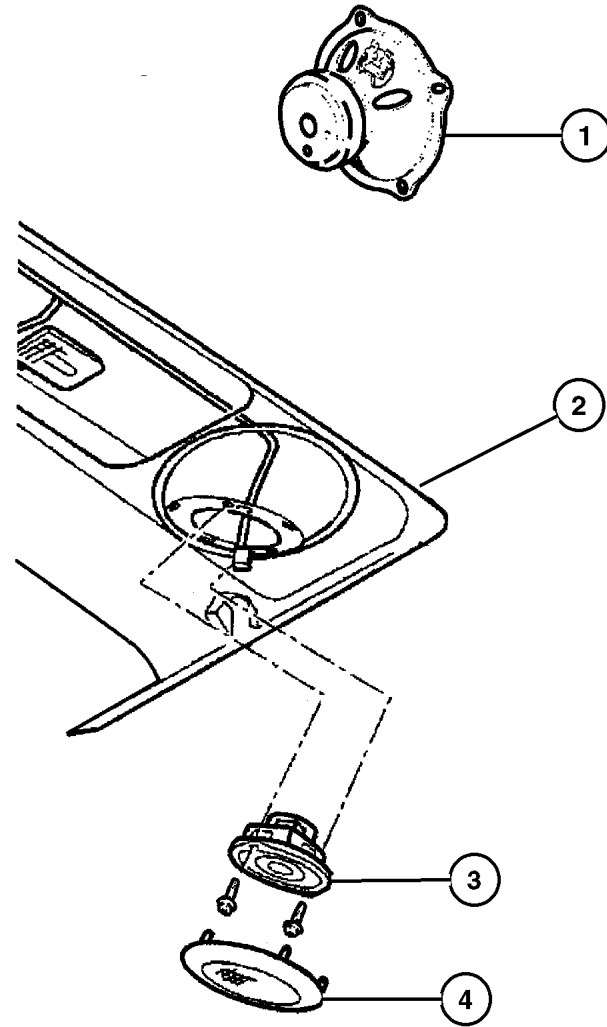
SERIES	LINE	BODY	ENGINE	TRANSMISSION
L=Low Line	J = Wrangler 4WD U = Wrangler 4WD (RHD)	77 = 93.4 WB	EPE, EP0 = 2.5L Power Tech ERH, ER0 = 4.0L Power Tech	DGG, DGD = 32RH 3 Spd. Auto. DDQ = 5 Spd. Manual DG0 = All Auto. Trans. DBB =All Manual Trans.

AR = Use as required - = Non illustrated part # = New this model year

June 7, 2002

Speakers 1997 TJ
Figure 08A-325

ITEM	PART NUMBER	QTY	LINE	BODY	DESCRIPTION
1	5600 8795	2	J	77	SPEAKER, Instrument Panel, Sound Bar (5.25)
2	4874 294	1	J	77	COVER, Soundbar
		1	U	77	
3	4874 295	2	J	77	SPEAKER, Sound Bar
		2	U	77	
4	4874 296	2	J	77	GRILLE, Speaker, Sound Bar (5.25)
-5	5600 7264	1			BEZEL, Dome Lamp
-6	5600 7265	1			LENS, Dome Lamp



JEEP WRANGLER (TJ)

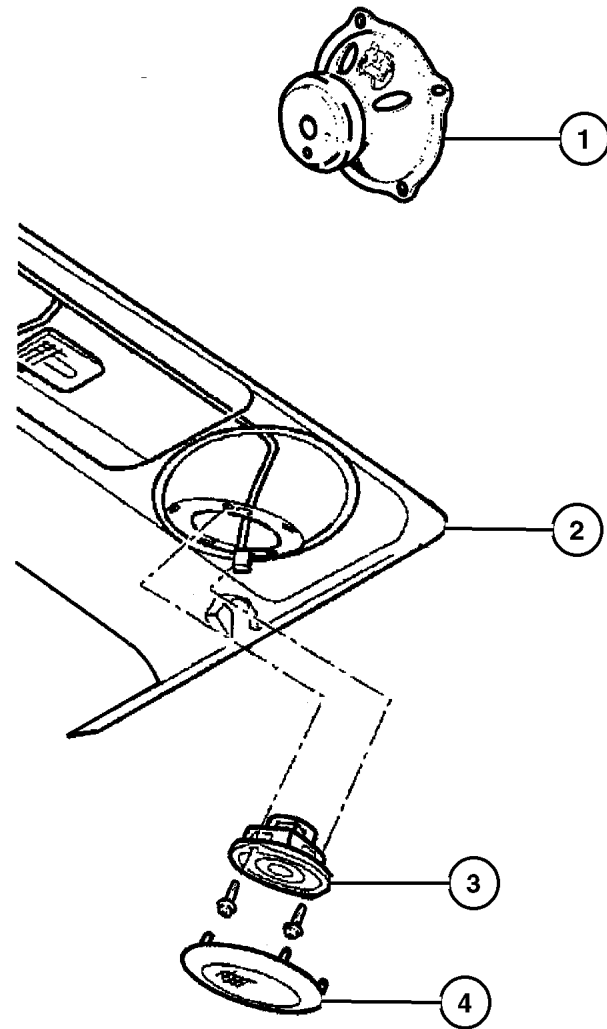
SERIES	LINE	BODY	ENGINE	TRANSMISSION
L=Low Line	J = Wrangler 4WD U = Wrangler 4WD (RHD)	77 = 93.4 WB	EPE, EP0 = 2.5L Power Tech ERH, ER0 = 4.0L Power Tech	DGG, DGD = 32RH 3 Spd. Auto. DDQ = 5 Spd. Manual DG0 = All Auto. Trans. DBB =All Manual Trans.

AR = Use as required - = Non illustrated part # = New this model year

June 7, 2002

Speakers 1998 TJ
Figure 08A-325

ITEM	PART NUMBER	QTY	LINE	BODY	DESCRIPTION
1	56008 795AB	2			SPEAKER, Instrument Panel
2	4874 294	1			COVER, Soundbar
3	56038 566AB	2			SPEAKER, 5.25"
4	4874 296	2			GRILLE, Speaker
-5	5600 7264	1			BEZEL, Dome Lamp
-6	5600 7265	1			LENS, Dome Lamp
-7	L000 0912	1			BULB, 912



JEEP WRANGLER (TJ)

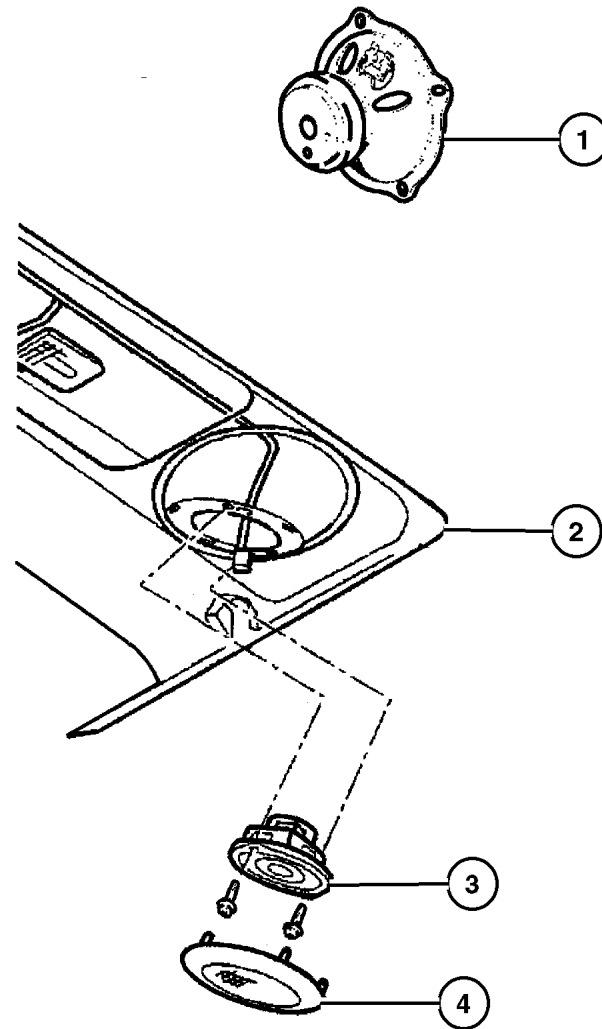
SERIES	LINE	BODY	ENGINE	TRANSMISSION
L=Low Line	J = Wrangler 4WD U = Wrangler 4WD (RHD)	77 = 93.4 WB	EPE, EP0 = 2.5L Power Tech ERH, ER0 = 4.0L Power Tech	DGG, DGD = 32RH 3 Spd. Auto. DDQ = 5 Spd. Manual DG0 = All Auto. Trans. DBB =All Manual Trans.

AR = Use as required - = Non illustrated part # = New this model year

June 7, 2002

Speakers 1999 TJ
Figure 08A-325

ITEM	PART NUMBER	QTY	LINE	BODY	DESCRIPTION
1	56008 795AB	2			SPEAKER, Instrument Panel
2	4874 294	1			COVER, Soundbar
3	56038 566AB	2			SPEAKER, 5.25"
4	#4874 296AB	2			GRILLE, Speaker
-5	5600 7264	1			BEZEL, Dome Lamp
-6	5600 7265	1			LENS, Dome Lamp
-7	L000 0912	1			BULB, 912



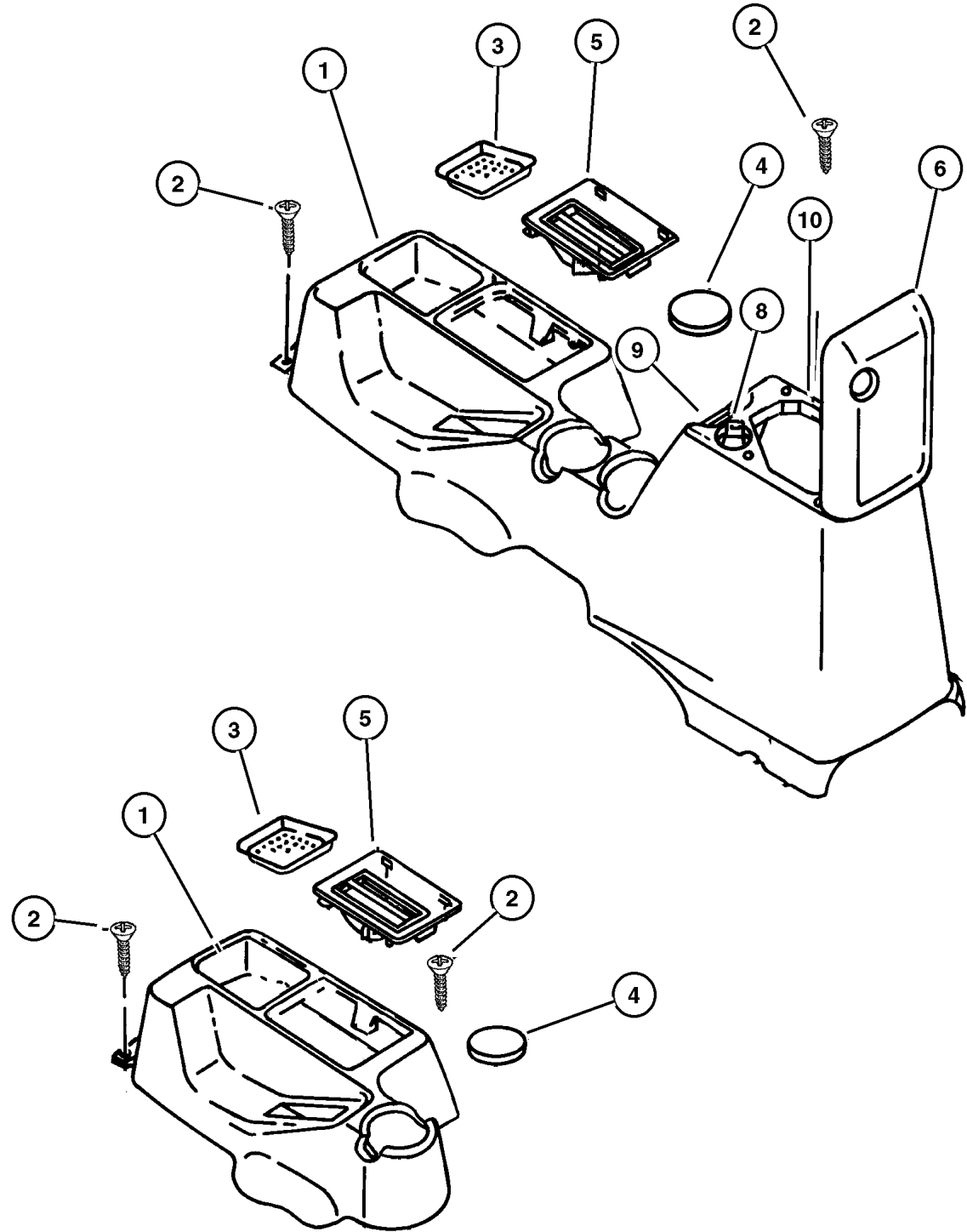
JEEP WRANGLER (TJ)

SERIES	LINE	BODY	ENGINE	TRANSMISSION
L=Low Line	J = Wrangler 4WD U = Wrangler 4WD (RHD)	77 = 93.4 WB	EPE, EP0 = 2.5L Power Tech ERH, ER0 = 4.0L Power Tech	DGG, DGD = 32RH 3 Spd. Auto. DDQ = 5 Spd. Manual DG0 = All Auto. Trans. DBB =All Manual Trans.

AR = Use as required - = Non illustrated part # = New this model year

June 7, 2002

Consoles Full & Mini 1997 TJ
Figure 08A-410



ITEM	PART NUMBER	QTY	LINE	BODY	DESCRIPTION
1					CONSOLE, Floor, w/Passenger Disarm Switch
	5DT8 5TAZ	1			Mini - Agate
	5FW35 RC3AA	1			Full - Gray
	5FW35 RT6AA	1			Full - Saddle
2					SCREW, (.190-16x.875) , (NOT SERVICED)
3	5511 5651	1			MAT, Console Cup Holder, Console Tray Insert
4	5511 5669	2			MAT, Floor, Console Floor Cupholder
5					BEZEL AND DIAL, Gearshift Lever
	5511 5570	1	J		Left Hand Drive
	5511 5571	1	U		Right Hand Drive
6					LID, Center Console Storage
	LC51 TC3	1			Gray, Outer
	LC51 TT6	1			Saddle, Outer
	LC52 TC3	1			Gray, Inner
	LC52 TT6	1			Saddle, Inner
-7	4732 098	1			HINGE, Floor Console Lid, Console
8	5503 7252	1			LATCH, Armrest Lid
9					STRIKER, Console Lid Catch, (Serviced in CONSOLE), (NOT SERVICED)
10	55037 380AA	1			SEAL, Lid, Console Lid
-11	4507 482	1			HOLDER, Coin, Coin Rear Console
-12	4741 954	1			LATCH, Storage Bin Lid

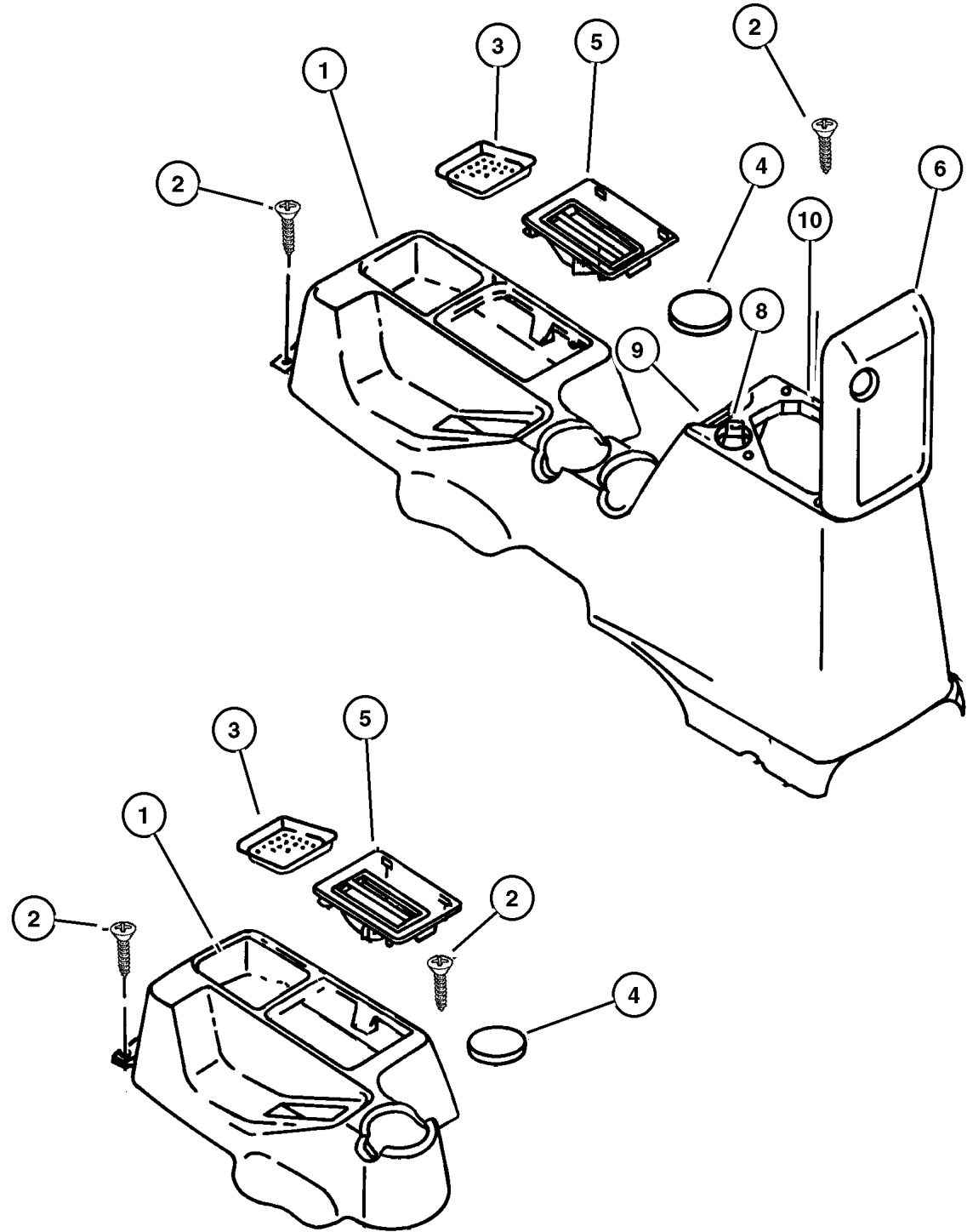
JEEP WRANGLER (TJ)

SERIES	LINE	BODY	ENGINE	TRANSMISSION
L=Low Line	J = Wrangler 4WD U = Wrangler 4WD (RHD)	77 = 93.4 WB	EPE, EP0 = 2.5L Power Tech ERH, ER0 = 4.0L Power Tech	DGG, DGD = 32RH 3 Spd. Auto. DDQ = 5 Spd. Manual DG0 = All Auto. Trans. DBB =All Manual Trans.

AR = Use as required - = Non illustrated part # = New this model year

June 7, 2002

Consoles Full & Mini 1998 TJ
Figure 08A-410



ITEM	PART NUMBER	QTY	LINE	BODY	DESCRIPTION
1					CONSOLE, Floor, With Passenger Disarm Switch
	5DT8 5TAZ	1			Mini - Agate
	5FW35 RC3AA	1			Full - Gray
	5FW35 RT6AA	1			Full - Saddle
2					SCREW, 0.190-16x.875, (NOT SERVICED)
3	5511 5651	1			MAT, Console Cup Holder, Console Tray Insert
4	5511 5669	2			MAT, Floor, Console Floor Cupholder
5					BEZEL AND DIAL, Gearshift Lever
	5511 5570	1	J		Left Hand Drive
	5511 5571	1	U		Right Hand Drive
6					LID, Center Console Storage
	LC51 TC3	1			[C3] Outer
	LC52 TC3	1			[C3] Inner
	LC52 TT6	1			[T6] Inner
	LC51 TT6	1			[T6] Outer
	5FW18 RC3AB	1			[C3] Lid assy
	5FW18 RT6AB	1			[T6] Lid Assy
-7	4732 098	1			HINGE, Floor Console Lid
8	5503 7252	1			LATCH, Armrest Lid
9					STRIKER, Console Lid Catch, Serviced in Console, (NOT SERVICED)
10	55037 380AA	1			SEAL, Lid, Console Lid
-11	5GL51 DX9AA	1			BEZEL, Floor Console
-12	56010 056AA	1			SWITCH, Passenger Airbag Disarm
-13	55315 000AA	1			PLUG, Cover
-14	4507 482	1			HOLDER, Coin
-15	4741 954	1			LATCH, Storage Bin Lid
-16	5012 482AA	1			COVER, Switch Opening, without Airbag Shutoff Switch

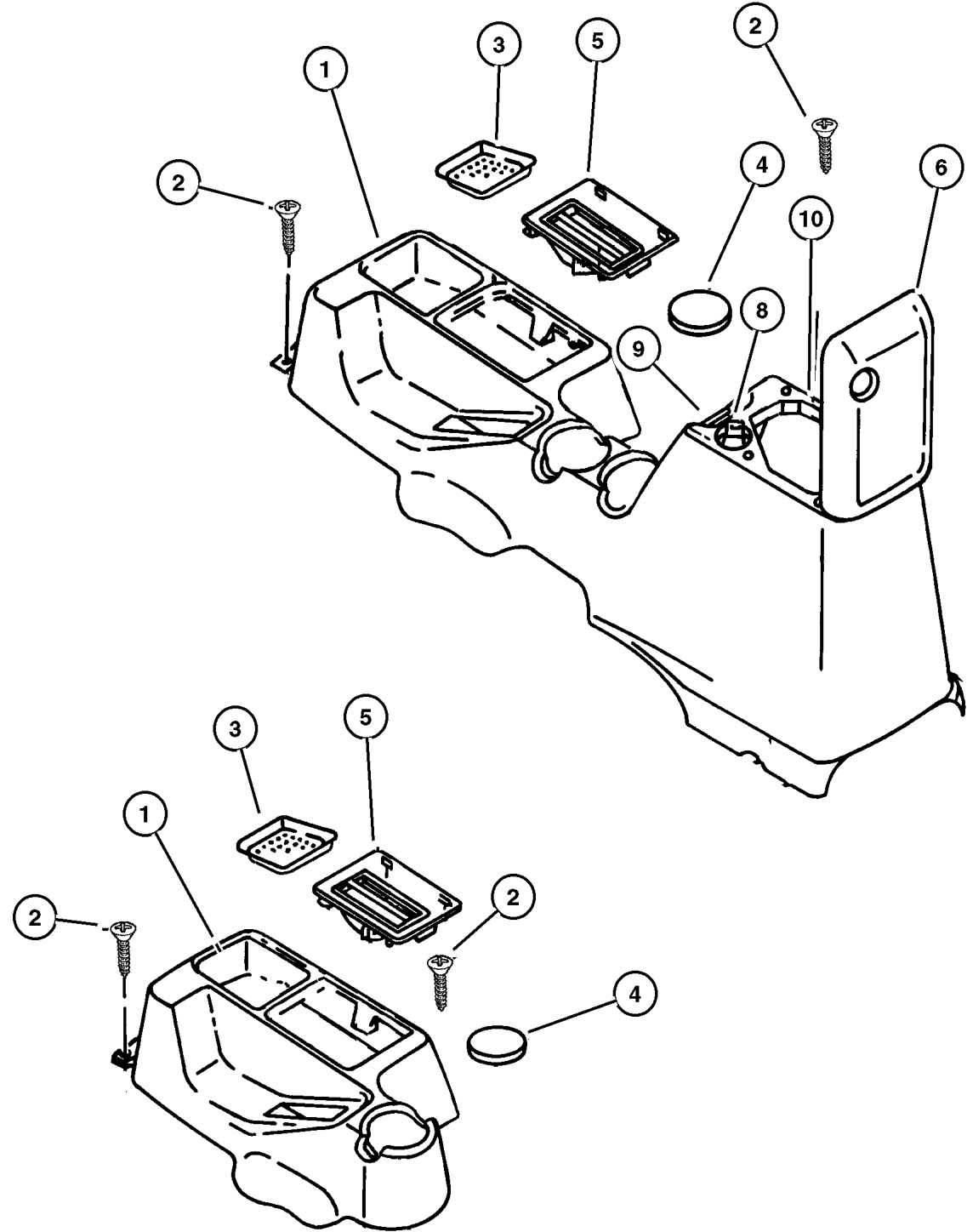
JEEP WRANGLER (TJ)

SERIES	LINE	BODY	ENGINE	TRANSMISSION
L=Low Line	J = Wrangler 4WD U = Wrangler 4WD (RHD)	77 = 93.4 WB	EPE, EP0 = 2.5L Power Tech ERH, ER0 = 4.0L Power Tech	DGG, DGD = 32RH 3 Spd. Auto. DDQ = 5 Spd. Manual DG0 = All Auto. Trans. DBB =All Manual Trans.

AR = Use as required - = Non illustrated part # = New this model year

June 7, 2002

Consoles Full & Mini 1999 TJ
Figure 08A-410



ITEM	PART NUMBER	QTY	LINE	BODY	DESCRIPTION
1					CONSOLE, Floor, w/Passenger Disarm Switch
	SJ86 1AZAA	1			Mini (Agate)
	SJ87 1AZAA	1			Full (Agate)
	SJ87 1K5AA	1			Full (Tan/Agate)
2					SCREW, 0.190-16x.875 , (NOT SERVICED)
3	5511 5652	1			MAT, Console Cup Holder
4	5511 5669	2			MAT, Floor, Console Floor Cupholder
5					BEZEL AND DIAL, Gearshift Lever
	55115 570AB	1	J		
	55115 571AB	1	U		
6					LID, Center Console Storage
	LC51 LAZ	1			Outer (Agate)
	LC51 RK5	1			Outer (Tan/Agate)
	LC52 LAZAB	1			Inner (Agate)
	LC52 RK5AB	1			Inner (Tan Agate)
	5FW18 RK5AB	1			
-7	4732 098AB	1			HINGE, Floor Console Lid
8	5503 7252	1			LATCH, Armrest Lid
9					STRIKER, Console Lid Catch, Serviced in Console, (NOT SERVICED)
10	55037 380AA	1			SEAL, Lid
-11	5GL51 DX9AB	1			BEZEL, Floor Console, Passenger Airbag Disarm Switch (Black)
-12	56010 056AA	1			SWITCH, Passenger Airbag Disarm
-13	55315 000AB	1			PLUG, Cover, w/Tether
-14					HOLDER, Coin, (NOT REQUIRED)

JEEP WRANGLER (TJ)

SERIES	LINE	BODY	ENGINE	TRANSMISSION
L=Low Line	J = Wrangler 4WD U = Wrangler 4WD (RHD)	77 = 93.4 WB	EPE, EP0 = 2.5L Power Tech ERH, ER0 = 4.0L Power Tech	DGG, DGD = 32RH 3 Spd. Auto. DDQ = 5 Spd. Manual DG0 = All Auto. Trans. DBB =All Manual Trans.

AR = Use as required - = Non illustrated part # = New this model year

June 7, 2002

Group – 009

Engine Mounting

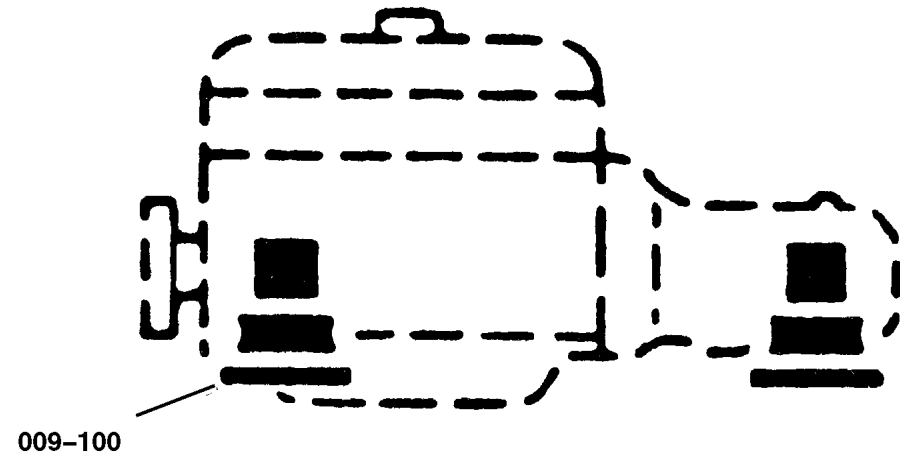
GROUP 9 - Engine Mounting

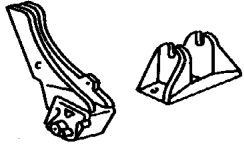
Illustration Title

Group-Fig. No.

Engine Mounting

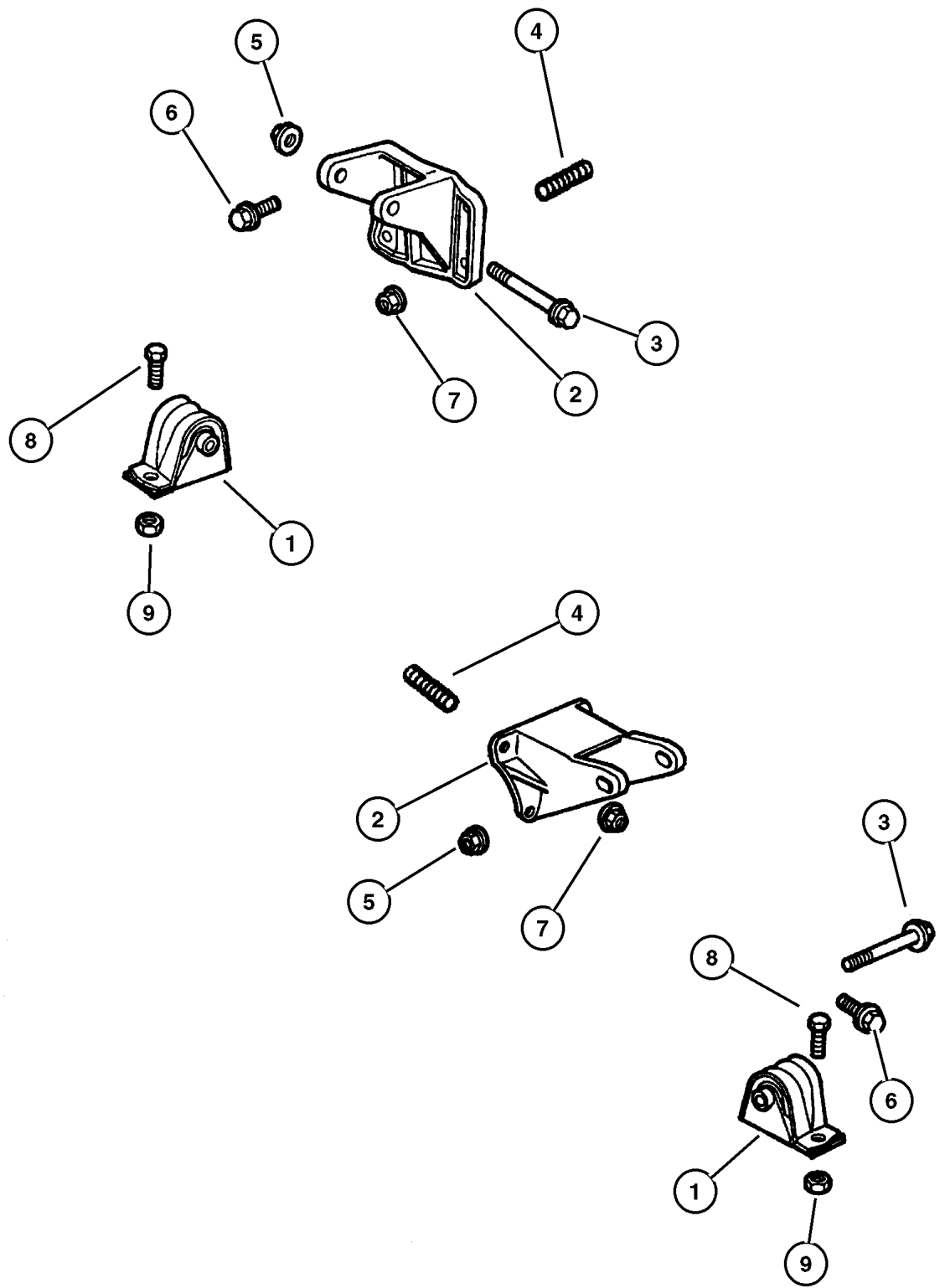
Engine Mounting, Front 2.5L (EPE) Engine	Fig. 009-110
Engine Mounting, Rear 2.5L (EPE) Engine	Fig. 009-120
Engine Mounting, Front 4.0L (ERH) Engine	Fig. 009-130
Engine Mounting, Rear 4.0L (ERH) Engine	Fig. 009-140



<p>009-100 Engine Mounting</p> 			
--	--	--	--

Engine Mounting, Front 2.5L (EPE) Engine Figure 009-110

ITEM	PART NUMBER	QTY	LINE	ENGINE	TRANS	DESCRIPTION
Note; EP0= All 2.5L Engines						
ER0- All 4.0L Engines						
1						INSULATOR, Engine Mount
	5201 9276	2		EP0		1997 TJ
	52019 276AB	2		EP0		1998 TJ, 1999 TJ
2						BRACKET, Engine Mount
	5201 8696	1		EP0		Right
	5201 8697	1		EP0		Left
3	3420 2606	2		EP0,		BOLT, Hex Head
				ER0		
4	6033 883	3		EP0		STUD, .375-16x2.00"
5	6502 697	2				NUT, Hex Flange Lock, M12x1.75
6	6034 989	5		EP0		SCREW, Hex Head, .375-16x1.125
7	0152 474	3		EP0		NUT, Hex Flange Lock, .375-16
8	6502 137	2				BOLT, Hex Flange Head, M10x1.50x35
9						NUT, Hex Flange, M10x1.5
						(NOT REQUIRED), 1998 TJ, 1999 TJ
	6502 135	2				1997 TJ
-10						NUT, Hex Flange Lock, M10x1.5
						(NOT REQUIRED), 1997 TJ
	6502 696	2				1998 TJ, 1999 TJ



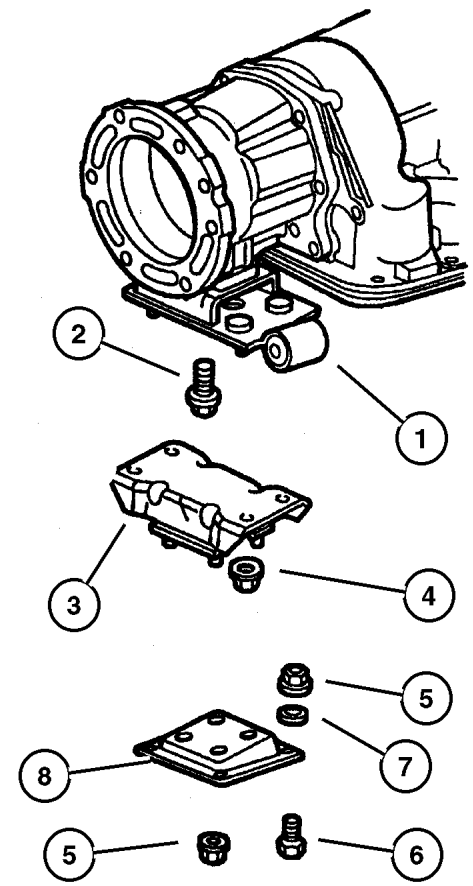
JEEP WRANGLER (TJ)				
SERIES	LINE	BODY	ENGINE	TRANSMISSION
L=Low Line	J = Wrangler 4WD U = Wrangler 4WD (RHD)	77 = 93.4 WB	EPE, EP0 = 2.5L Power Tech ERH, ER0 = 4.0L Power Tech	DGG, DGD = 32RH 3 Spd. Auto. DDQ = 5 Spd. Manual DG0 = All Auto. Trans. DBB =All Manual Trans.

**Engine Mounting, Rear 2.5L (EPE) Engine
Figure 009-120**

ITEM	PART NUMBER	QTY	LINE	ENGINE	TRANS	DESCRIPTION
------	-------------	-----	------	--------	-------	-------------

Note; DDQ= 5 Speed Manual Transmission
 DG0= All Automatic Transmissions
 EPO= All 2.5L Engines

1						BRACKET, Transmission Mount
	5205 8548	1			DG0	
	5205 8618	1		EPO	DDQ	
2						BOLT, .437-14x1.120, (NOT SERVICED)
3						MOUNT, Transmission 1997 TJ
	5205 8551	1				
	52058 551AB	1				1998 TJ, 1999 TJ
4	6502 337	4				NUT, M10x1.5
5	6100 517	4				NUT, Hex Flange Lock, M8 Phosphate
6						BOLT, M8x1.25x25.00, (NOT SERVICED)
7						WASHER, (NOT SERVICED)
8	5205 8863	1			DG0	BRACKET, Transmission Mount

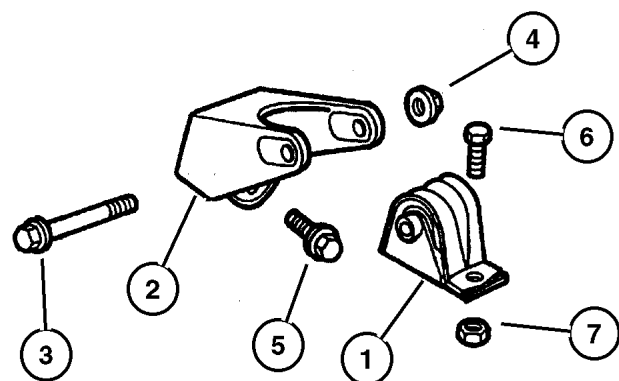
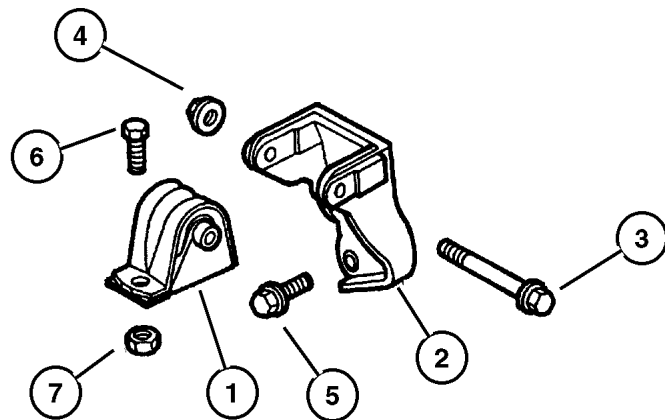


JEEP WRANGLER (TJ)		BODY	ENGINE	TRANSMISSION
SERIES	LINE	77 = 93.4 WB	EPE, EPO = 2.5L Power Tech ERH, ER0 = 4.0L Power Tech	DGG, DGD = 32RH 3 Spd. Auto. DDQ = 5 Spd. Manual DG0 = All Auto. Trans. DBB =All Manual Trans.
L=Low Line	J = Wrangler 4WD U = Wrangler 4WD (RHD)			

AR = Use as required - = Non illustrated part # = New this model year

June 7, 2002

**Engine Mounting, Front 4.0L (ERH) Engine
Figure 009-130**



ITEM	PART NUMBER	QTY	LINE	ENGINE	TRANS	DESCRIPTION
Note; EP0= All 2.5L Engines						
ER0= All 4.0L Engines						
1						INSULATOR, Engine Mount
	5201 9278	2		ER0		1997 TJ
	52019 278AB	2		ER0		1998 TJ, 1999 TJ
2						BRACKET, Engine Mount
	5202 0270	1		ER0		Right
	5204 0269	1		ER0		1997 TJ, Left
	52040 269AB	1		ER0		1998 TJ, 1999 TJ, Left
3	3420 2606	2		EP0, ER0		BOLT, Hex Head
4	6502 697	2				NUT, Hex Flange Lock, M12x1.75
5	6034 989	6		ER0		SCREW, Hex Head, .375-16x1.125
6	6502 137	2				BOLT, Hex Flange Head, M10x1.50x35
7						NUT, Hex Flange, M10x1.5
						(NOT REQUIRED), 1998 TJ, 1999 TJ
	6502 135	2				1997 TJ
-8						NUT, Hex Flange Lock, M10x1.5
						(NOT REQUIRED), 1997 TJ
	6502 696	2				1998 TJ, 1999 TJ

JEEP WRANGLER (TJ)				
SERIES	LINE	BODY	ENGINE	TRANSMISSION
L=Low Line	J = Wrangler 4WD U = Wrangler 4WD (RHD)	77 = 93.4 WB	EPE, EP0 = 2.5L Power Tech ERH, ER0 = 4.0L Power Tech	DGG, DGD = 32RH 3 Spd. Auto. DDQ = 5 Spd. Manual DG0 = All Auto. Trans. DBB =All Manual Trans.

AR = Use as required - = Non illustrated part # = New this model year

June 7, 2002

**Engine Mounting, Rear 4.0L (ERH) Engine
Figure 009-140**

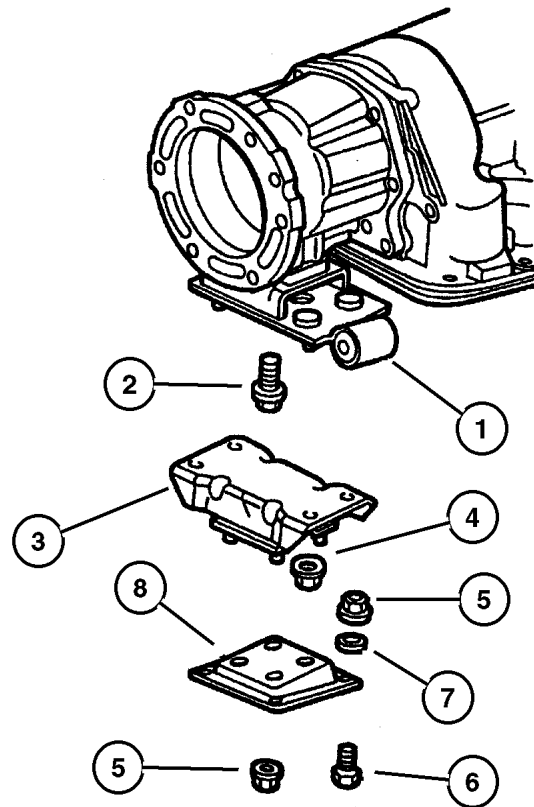
ITEM	PART NUMBER	QTY	LINE	ENGINE	TRANS	DESCRIPTION
------	-------------	-----	------	--------	-------	-------------

Note; DDQ= 5 Speed Manual Transmission

DG0= All Automatic Transmissions

ER0= All 4.0L Engines

1						BRACKET, Transmission Mount
	5205 8546	1		ER0	DDQ	1997 TJ, 1998 TJ
		1		ER0	DD0	1999 TJ
	5205 8548	1			DG0	
2						BOLT, .437-14x1.120, (NOT SERVICED)
3						MOUNT, Transmission
	5205 8551	1				1997 TJ
	52058 551AB	1				1998 TJ, 1999 TJ
4	6502 337	4				NUT, M10x1.5
5	6100 517	4				NUT, Hex Flange Lock, M8 Phosphate
6						BOLT, M8x1.25x25.00, (NOT SERVICED)
7						WASHER, (NOT SERVICED)
8	5205 8863	1			DG0	BRACKET, Transmission Mount



JEEP WRANGLER (TJ)

SERIES	LINE	BODY	ENGINE	TRANSMISSION
L=Low Line	J = Wrangler 4WD U = Wrangler 4WD (RHD)	77 = 93.4 WB	EPE, EP0 = 2.5L Power Tech ERH, ER0 = 4.0L Power Tech	DGG, DGD = 32RH 3 Spd. Auto. DDQ = 5 Spd. Manual DG0 = All Auto. Trans. DBB =All Manual Trans.

AR = Use as required - = Non illustrated part # = New this model year

June 7, 2002

Group – 2.5L4

Engine 2.5L Four Cylinder

GROUP 2.5L4 - Engine 2.5L Four Cylinder

Illustration Title

Group-Fig. No.

Cylinder Head

Cylinder Head 2.5L (EPE) Engine Fig. 2.5L4-210

Cylinder Block

Cylinder Block 2.5L (EPE) Engine Fig. 2.5L4-310

Crankshaft, Piston and Drive Plate

Crankshaft, Piston and Torque Converter 2.5L (EPE) Engine Fig. 2.5L4-410

Camshafts & Valves

Camshaft and Valves 2.5L (EPE) Engine Fig. 2.5L4-510

Timing Belt and Cover

Timing Cover 2.5L (EPE) Engine Fig. 2.5L4-610

Engine Oiling

Engine Oiling 2.5L (EPE) Engine Fig. 2.5L4-710

Manifolds

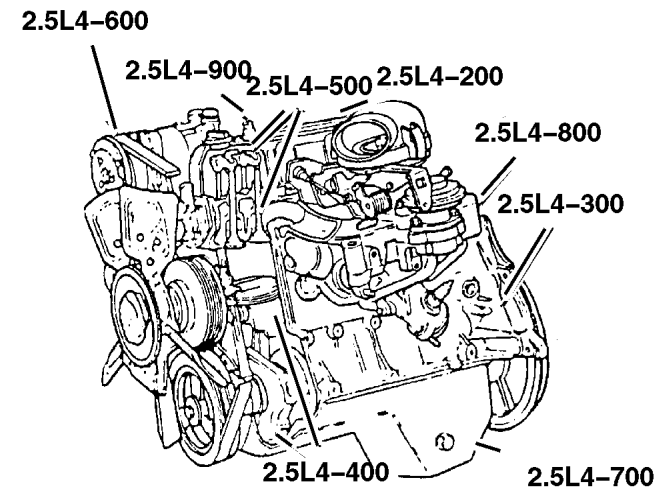
Manifold, Intake and Exhaust 2.5L (EPE) Engine Fig. 2.5L4-810

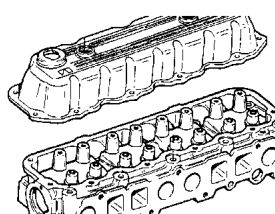
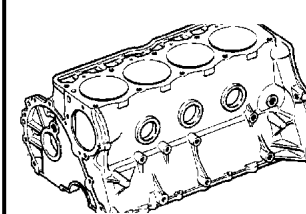
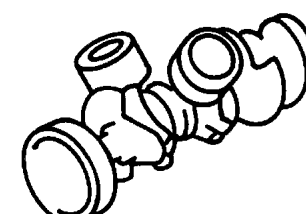
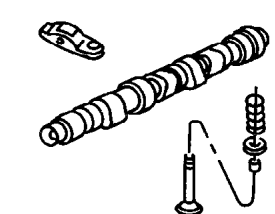
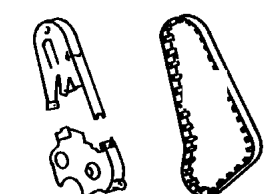
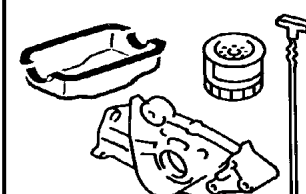
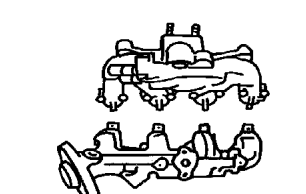
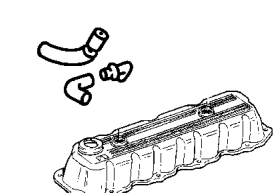
Crankcase Ventilation

Crankcase Ventilation 2.5L (EPE) Engine Fig. 2.5L4-910

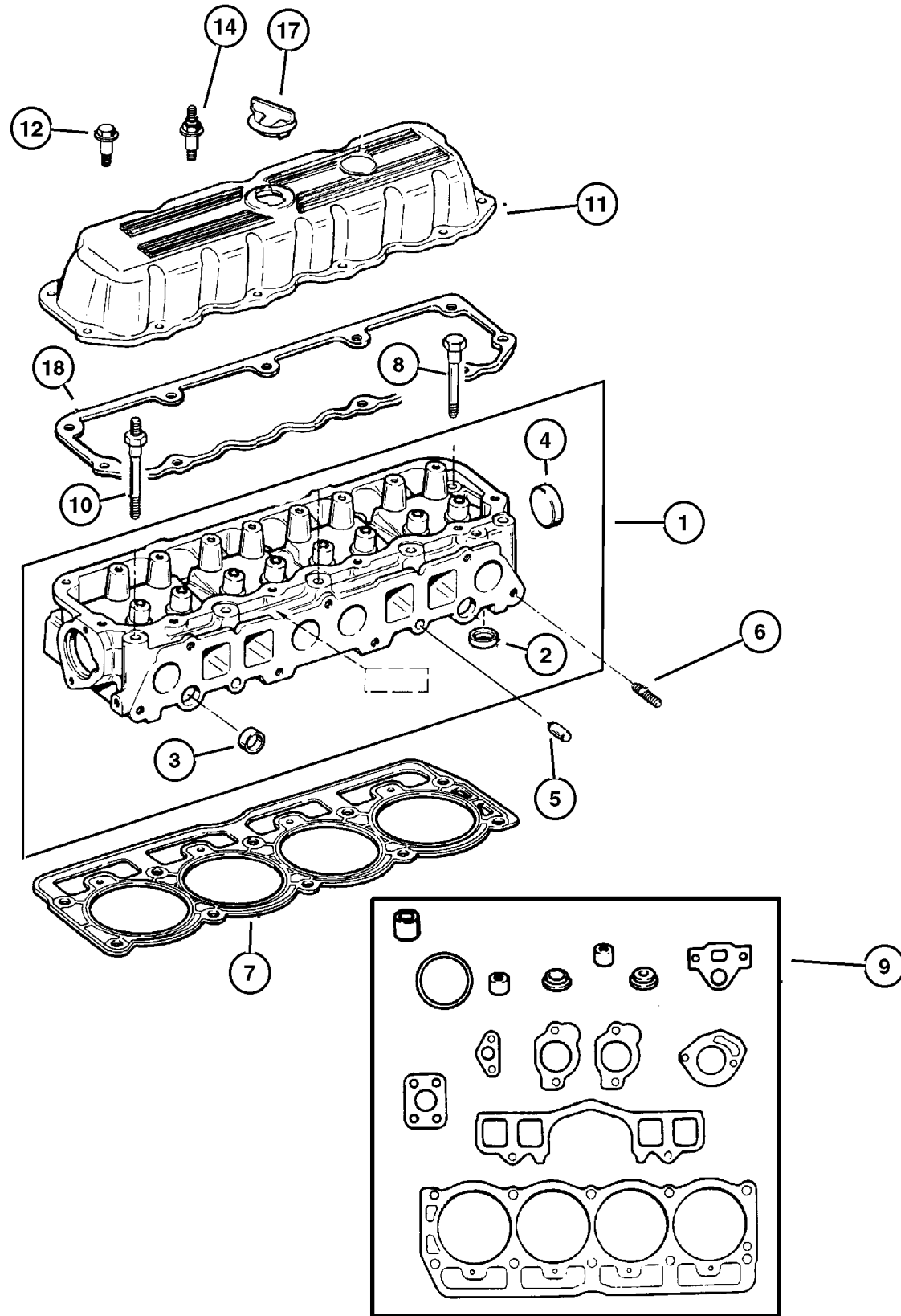
2	2	2000	3000	3000000
Head	Block	Cover	Shaft	Valve
2.5L4-100	2.5L4-300	2.5L4-600	2.5L4-500	2.5L4-800

2.5L4-100



<p>2.5L4-200 Cylinder Head</p> 	<p>2.5L4-300 Cylinder Block</p> 	<p>2.5L4-400 Crankshaft, Piston and Drive Plate</p> 	<p>2.5L4-500 Camshafts & Valves</p> 
<p>2.5L4-600 Timing Belt and Cover</p> 	<p>2.5L4-700 Engine Oiling</p> 	<p>2.5L4-800 Manifolds</p> 	<p>2.5L4-900 Crankcase Ventilation</p> 

**Cylinder Head 2.5L (EPE) Engine
Figure 2.5L4-210**



ITEM	PART NUMBER	QTY	LINE	ENGINE	TRANS	DESCRIPTION
Note; DBB= All Manual Transmissions DG0= All Automatic Transmissions EP0= All 2.5L Engines ER0= All 4.0L Engines						
1						HEAD, Cylinder
	3300 7115	1		EP0		1997 TJ
	33007 115AB	1		EP0		1998 TJ, 1999 TJ
2	3300 7142	4		EP0		SEAT, Exhaust Valve
3	J317 2319	4		EP0		PLUG, Cylinder Block Oil Hole
4	J310 5394	1		EP0		PLUG, Cylinder Block Oil Hole
5	J317 2318	2		EP0, ER0		DOWEL, Cylinder Head To Intake
6						STUD, .375-16/.375-24x1.75
	#6036 193AA	2		EP0, ER0		1999 TJ
	5301 0165	2		EP0, ER0		1997 TJ, 1998 TJ
7	53009 549AB	1		EP0		GASKET, Cylinder Head
8	6035 514	5		EP0		BOLT, Cylinder Head
9						GASKET PACKAGE, Engine
	4798 992	1		EP0	DBB	1997 TJ
		1		EP0	DG0	1997 TJ
	4798 992AC	1		EP0		1998 TJ
		1		EP0	DBB	1999 TJ
		1		EP0	DG0	1999 TJ
10						STUD, Double Ended, .50-13/.437-14x6.00
	6035 516	5		EP0		1997 TJ
		4		EP0		1998 TJ, 1999 TJ
11						COVER, Cylinder Head
	5301 0428	1		EP0		Up To 3-1-97, 1997 TJ
	53010 428AB	1		EP0		After 3-1-97, 1997 TJ
		1		EP0		1998 TJ, 1999 TJ
12						BOLT, Hex Head, .250-20x1.130
						(NOT REQUIRED), 1998 TJ, 1999 TJ
	6034 478	1		EP0		1997 TJ
-13						BOLT, Hex Flange Head, .250-20x1.00
						(NOT REQUIRED), 1997 TJ
	6035 566	1		EP0		1998 TJ, 1999 TJ
14						BOLT, Hex Flange Pilot Point, .250-20x1.97
						(NOT REQUIRED), 1998 TJ, 1999 TJ
	6034 477	9		EP0		1997 TJ
-15						STUD, Double Ended, .25-20x1.97
						(NOT REQUIRED), 1998 TJ, 1999 TJ

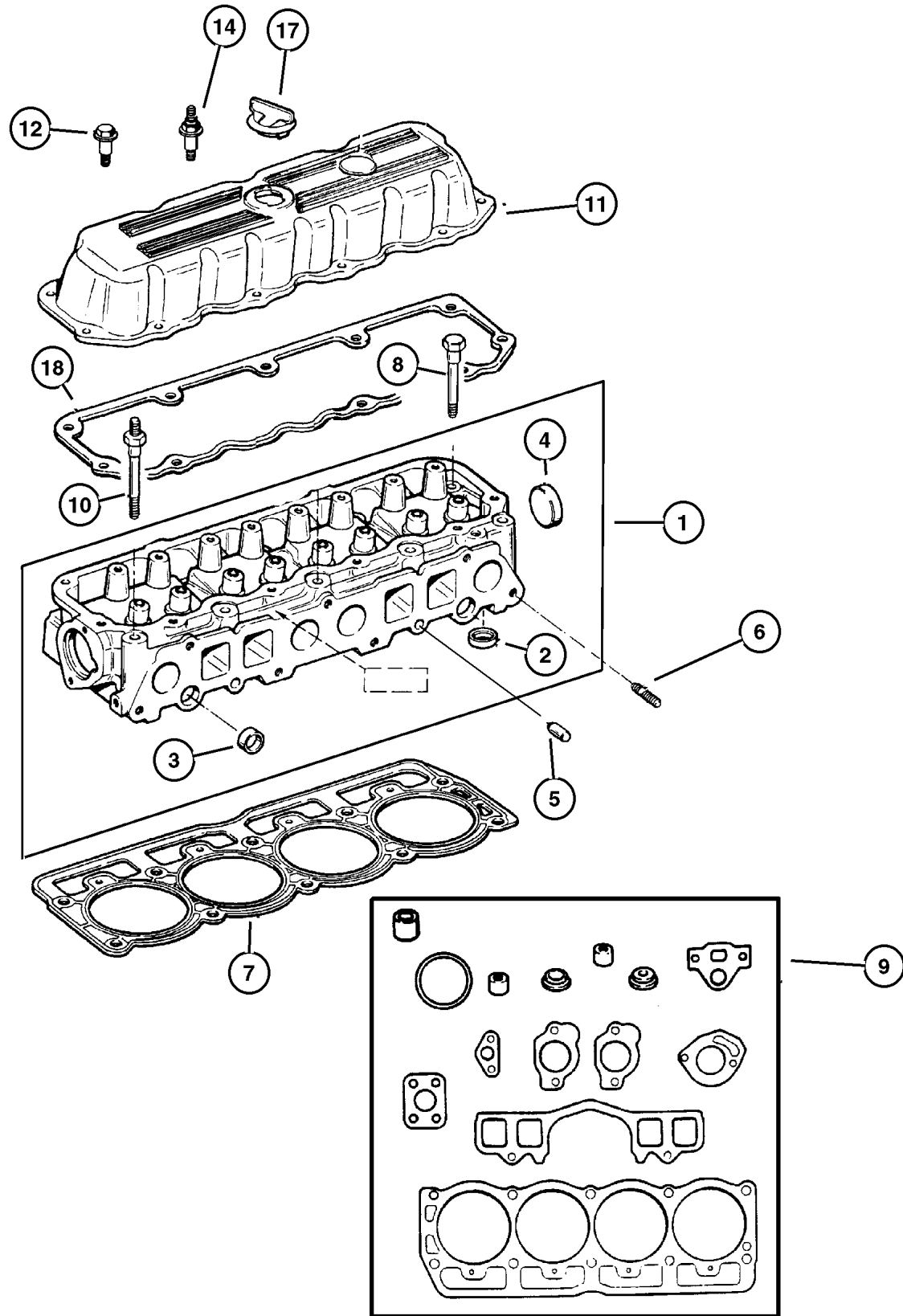
JEEP WRANGLER (TJ)

SERIES	LINE	BODY	ENGINE	TRANSMISSION
L=Low Line	J = Wrangler 4WD U = Wrangler 4WD (RHD)	77 = 93.4 WB	EPE, EP0 = 2.5L Power Tech ERH, ER0 = 4.0L Power Tech	DGG, DGD = 32RH 3 Spd. Auto. DDQ = 5 Spd. Manual DG0 = All Auto. Trans. DBB =All Manual Trans.

AR = Use as required - = Non illustrated part # = New this model year

June 7, 2002

**Cylinder Head 2.5L (EPE) Engine
Figure 2.5L4-210**



ITEM	PART NUMBER	QTY	LINE	ENGINE	TRANS	DESCRIPTION
	6035 685	1		EP0		1997 TJ
-16						STUD, .250-20x2.00 (NOT REQUIRED), 1997 TJ
	6035 968AA	10		EP0		1998 TJ, 1999 TJ
17	5302 0555	1		EP0		CAP, Oil Filler
18						GASKET, Cylinder Cover, RTV Sealant, (NOT SERVICED)

JEEP WRANGLER (TJ)

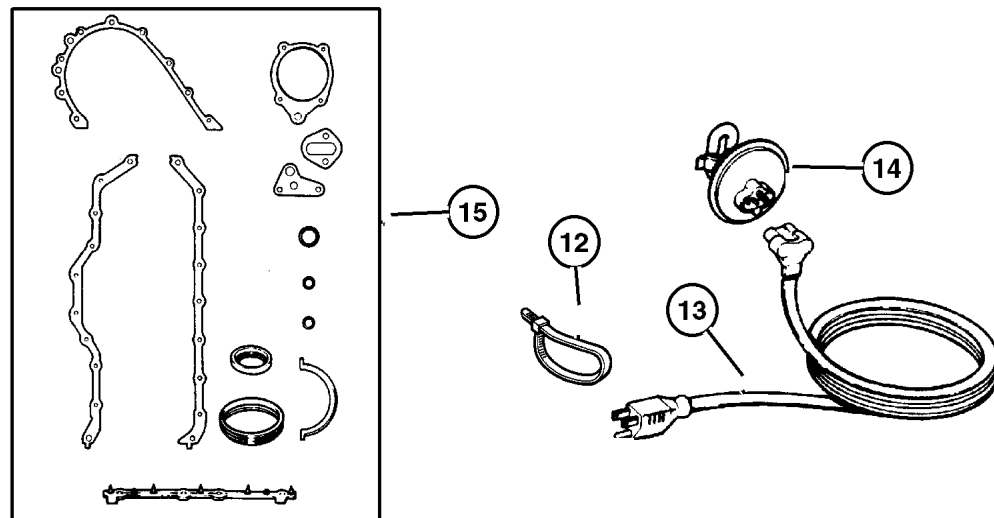
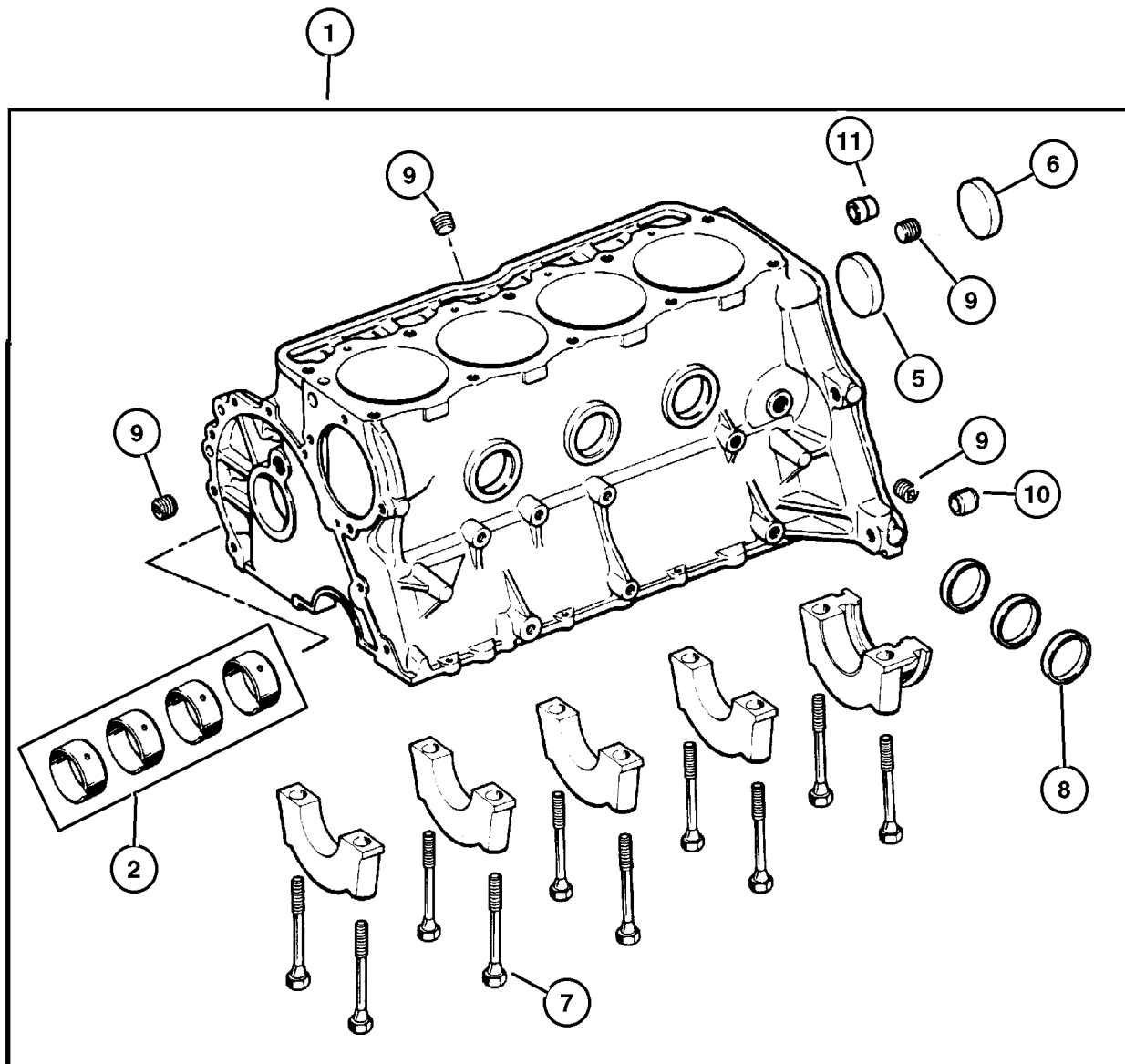
SERIES	LINE	BODY	ENGINE	TRANSMISSION
L=Low Line	J = Wrangler 4WD U = Wrangler 4WD (RHD)	77 = 93.4 WB	EPE, EP0 = 2.5L Power Tech ERH, ER0 = 4.0L Power Tech	DGG, DGD = 32RH 3 Spd. Auto. DDQ = 5 Spd. Manual DG0 = All Auto. Trans. DBB =All Manual Trans.

AR = Use as required - = Non illustrated part # = New this model year

June 7, 2002

**Cylinder Block 2.5L (EPE) Engine
Figure 2.5L4-310**

ITEM	PART NUMBER	QTY	LINE	ENGINE	TRANS	DESCRIPTION
Note; DBB= All Manual Transmissions						
DG0= All Automatic Transmissions						
EP0= All 2.5L Engines						
ER0= All 4.0L Engines						
1	4856 744	1		EP0		BLOCK, Short
2						BEARING KIT, Camshaft, Standard (NOT REQUIRED), 1999 TJ
	J320 5711	1		EP0		1997 TJ, 1998 TJ
-3						BEARING PACKAGE, Camshaft, Standard Size (NOT REQUIRED), 1997 TJ, 1998 TJ
	#4636 985AB	1		EP0		1999 TJ
-4						BEARING KIT, Camshaft, .010 Oversize (NOT REQUIRED), 1999 TJ
	J320 8985	1		EP0		1997 TJ, 1998 TJ
5	J317 2313	1		EP0		PLUG, Camshaft
6	5302 0465	1		EP0		PLUG, Cylinder Block
7	J400 6948	10		EP0		BOLT, Hex Head, .50-13x2.97
8	J400 6580	3		EP0		PLUG, Cylinder Block Oil Hole
9	6034 166	3		EP0		PLUG, Cylinder Block Oil Hole
10	J400 6953	1		EP0		DOWEL, Block To Cylinder Head
11	J324 1332	1		EP0		DOWEL, Clutch Housing To Block
12	4641 780	3		EP0, ER0		STRAP, Tie
13	5601 6834	1		EP0, ER0		CORD, Engine Block Heater
14	5602 6888	1		EP0		HEATER, Engine Block
15						GASKET PACKAGE, Engine
	4713 023	1		EP0	DBB	1997 TJ
		1		EP0	DG0	1997 TJ
	4713 023AC	1		EP0		1998 TJ, 1999 TJ

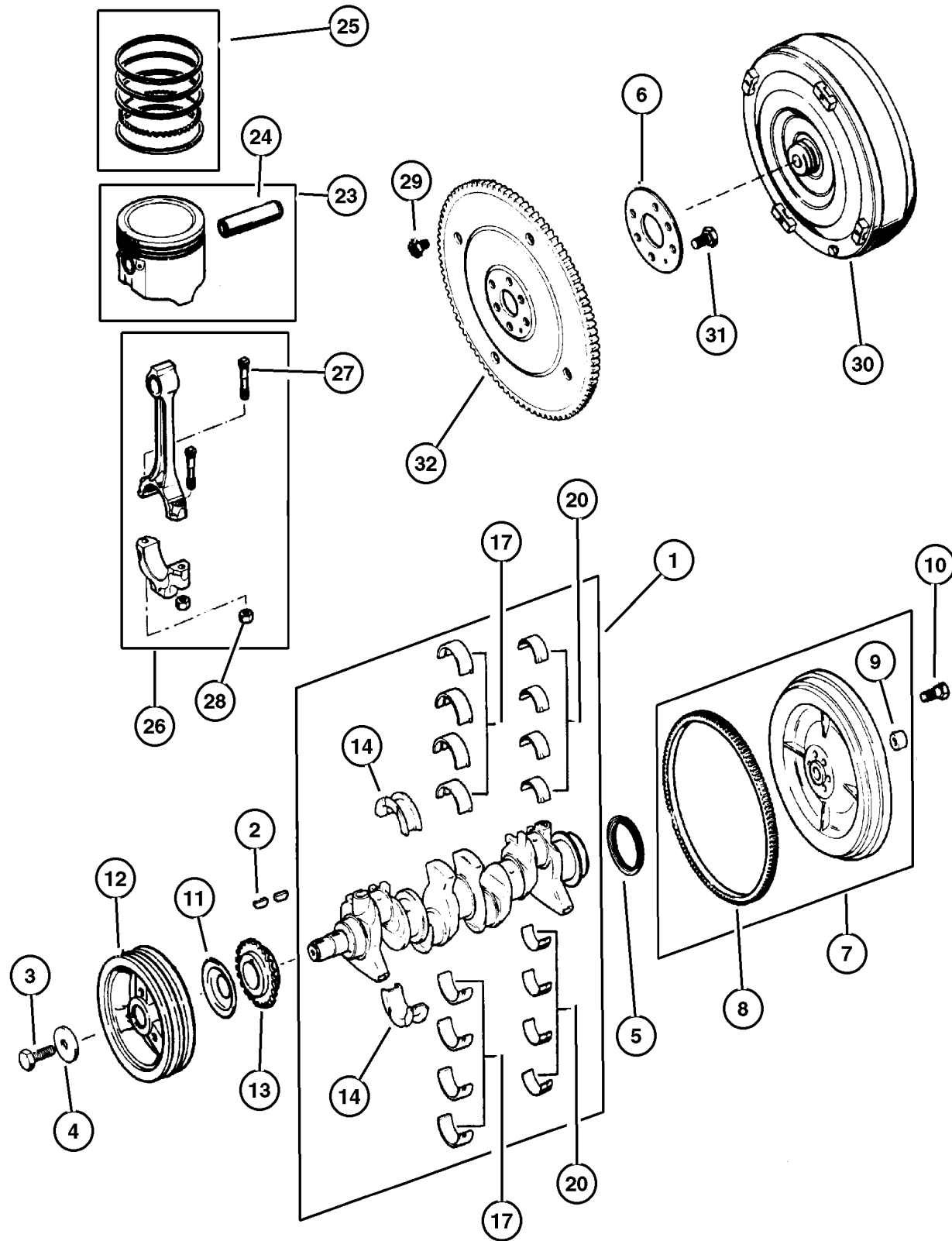


JEEP WRANGLER (TJ)				
SERIES	LINE	BODY	ENGINE	TRANSMISSION
L=Low Line	J = Wrangler 4WD U = Wrangler 4WD (RHD)	77 = 93.4 WB	EPE, EP0 = 2.5L Power Tech ERH, ER0 = 4.0L Power Tech	DGG, DGD = 32RH 3 Spd. Auto. DDQ = 5 Spd. Manual DG0 = All Auto. Trans. DBB =All Manual Trans.

AR = Use as required - = Non illustrated part # = New this model year

June 7, 2002

**Crankshaft, Piston and Torque Converter 2.5L (EPE) Engine
Figure 2.5L4-410**



ITEM	PART NUMBER	QTY	LINE	ENGINE	TRANS	DESCRIPTION
Note: DBB= All Manual Transmissions DGD= 3 Speed Automatic Transmission 30RH DGO= All Automatic Transmissions EPO= All 2.5L Engines ER0= All 4.0L Engines						
1						CRANKSHAFT
	4713 051	1		EPO		1997 TJ, 1998 TJ
		1		EPO	DBB	1999 TJ
		1		EPO	DGO	1999 TJ
2	6034 749	1		EPO, ER0		KEY, Crankshaft Sprocket
3	0182 776	1		EPO, ER0		BOLT
4	J323 0155	1		EPO, ER0		WASHER, Plain
5	3300 4143	1		EPO		SEAL, Rear Main Crankshaft
6	5211 7830	1		EPO	DGO	ADAPTER, Torque Converter
7	5302 0578	1		EPO	DBB	FLYWHEEL
8	J324 1718	1		EPO	DBB	GEAR, Ring
9	J325 0005	1		EPO	DBB	BEARING, Pilot
10	J400 7123	6		EPO	DBB	BOLT, Flywheel
11	J317 3076	1		EPO, ER0		SLINGER, Oil
12	3300 2879	1		EPO		DAMPER, Crankshaft
13	3300 4020	1		EPO		GEAR, Crankshaft
14	8350 7084	1		EPO, ER0		BEARING PACKAGE, Crankshaft Thrust, Standard Size
-15	8350 7086	AR		EPO, ER0		BEARING PACKAGE, Crankshaft Thrust, .001" Undersize
-16	8350 7090	AR		EPO, ER0		BEARING PACKAGE, Crankshaft Thrust, .010" Undersize
17	8350 7079	4		EPO		BEARING PACKAGE, Crankshaft, Standard
-18	8350 7080	AR		EPO, ER0		BEARING PACKAGE, Crankshaft, .001 Undersize
-19	8350 7083	AR		EPO, ER0		BEARING PACKAGE, Crankshaft, .010 Undersize
20	8350 0300	8		EPO		BEARING KIT, Connecting Rod, Standard
-21	8350 1397	AR		EPO, ER0		BEARING KIT, Connecting Rod, .001 Undersize
-22	8350 0301	AR		EPO, ER0		BEARING KIT, Connecting Rod, .010 Undersize
23						PISTON PIN AND ROD
	4798 329	AR		EPO		B Size, 3.8746, 1997 TJ, 1998 TJ

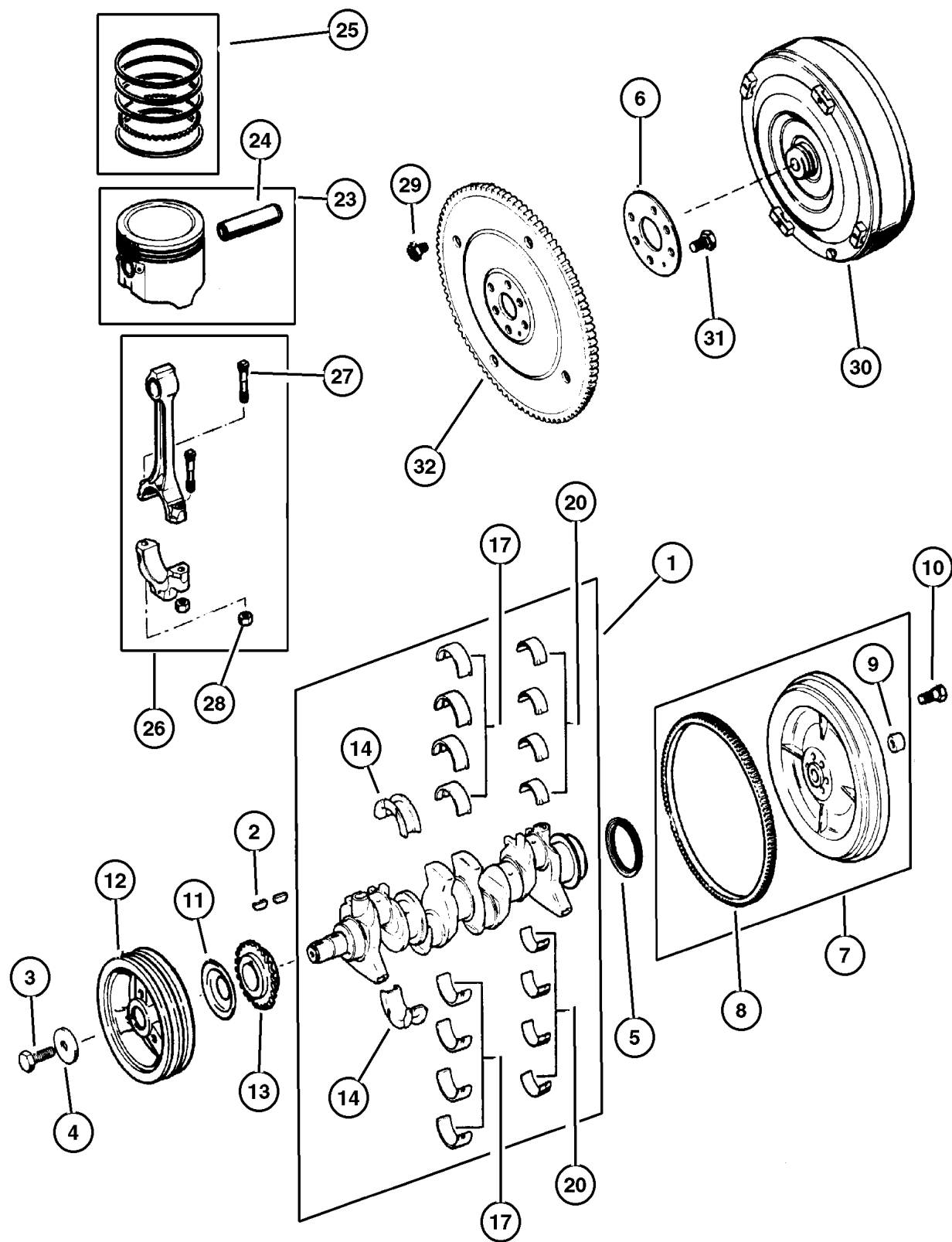
JEEP WRANGLER (TJ)

SERIES	LINE	BODY	ENGINE	TRANSMISSION
L=Low Line	J = Wrangler 4WD U = Wrangler 4WD (RHD)	77 = 93.4 WB	EPE, EPO = 2.5L Power Tech ERH, ER0 = 4.0L Power Tech	DGG, DGD = 32RH 3 Spd. Auto. DDQ = 5 Spd. Manual DGO = All Auto. Trans. DBB =All Manual Trans.

AR = Use as required - = Non illustrated part # = New this model year

June 7, 2002

Crankshaft, Piston and Torque Converter 2.5L (EPE) Engine Figure 2.5L4-410



ITEM	PART NUMBER	QTY	LINE	ENGINE	TRANS	DESCRIPTION
		4		EP0		B Size, 3.8746, 1999 TJ
	4798 330	AR		EP0		C Size, 3.8750, 1997 TJ, 1998 TJ
		4		EP0		C Size, 3.8750, 1999 TJ
	4798 331	AR		EP0		D Size, 3.8754, 1997 TJ, 1998 TJ
		4		EP0		D Size, 3.8754, 1999 TJ
	4798 332	AR		EP0		E Size, 3.8758, 1997 TJ, 1998 TJ
		4		EP0		E Size, 3.8758, 1999 TJ
	4798 333	AR		EP0		F Size, 3.8762, 1997 TJ, 1998 TJ
		4		EP0		F Size, 3.8762, 1999 TJ
24						PIN, Piston, Serviced in Piston Assembly, (NOT SERVICED)
25						RING PACKAGE, Piston, Standard Size Complete Engine
	4798 324	1		EP0	DBB	1997 TJ
		1		EP0	DG0	1997 TJ
		4		EP0		1998 TJ, 1999 TJ
26						ROD, Connecting, Serviced in Piston Assembly, (NOT SERVICED)
27	5302 0123	8		EP0		BOLT, Connecting Rod
28	J400 6385	8		EP0		NUT, Hex Flange, .3437-24
29	6501 099	4	J		DGD	BOLT, Hex Head, M10x1.50 x 13.20
30						CONVERTER, Torque
	4736 388	1	J	EP0	DGD	1997 TJ
	4736 388AB	1	J	EP0	DGD	1998 TJ, 1999 TJ
31	6034 780	6		EP0	DG0	BOLT, Hex Head, .437-24x1.20
32	5210 4139	1		EP0	DG0	PLATE, Torque Converter Drive

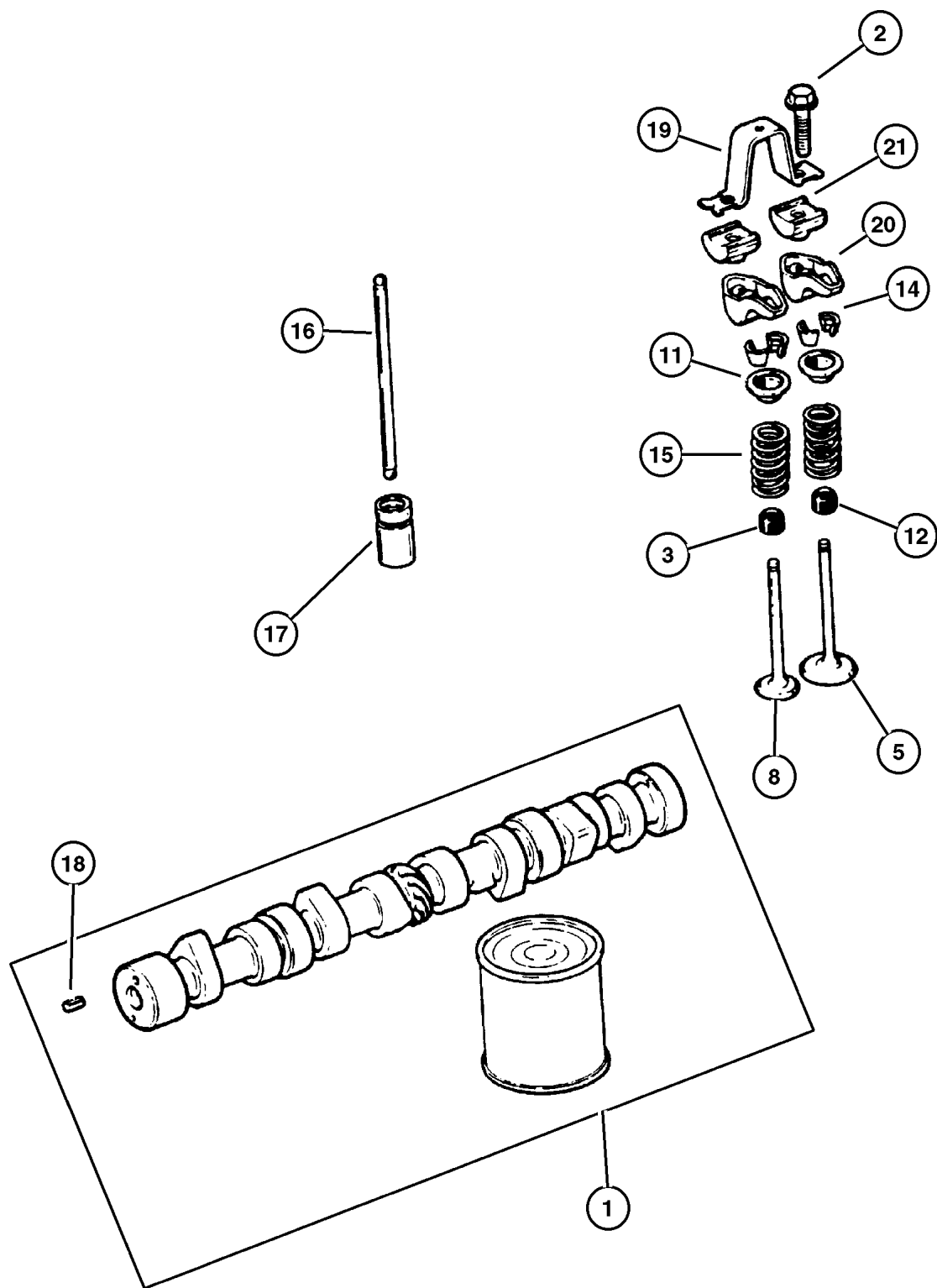
JEEP WRANGLER (TJ)

SERIES	LINE	BODY	ENGINE	TRANSMISSION
L=Low Line	J = Wrangler 4WD U = Wrangler 4WD (RHD)	77 = 93.4 WB	EPE, EP0 = 2.5L Power Tech ERH, ER0 = 4.0L Power Tech	DGG, DGD = 32RH 3 Spd. Auto. DDQ = 5 Spd. Manual DG0 = All Auto. Trans. DBB =All Manual Trans.

AR = Use as required - = Non illustrated part # = New this model year

June 7, 2002

Camshaft and Valves 2.5L (EPE) Engine Figure 2.5L4-510



ITEM	PART NUMBER	QTY	LINE	ENGINE	TRANS	DESCRIPTION
Note; EP0= All 2.5L Engines						
ER0= All 4.0L Engines						
1	5302 0497	1		EP0		CAMSHAFT, Engine
2	J942 5708	8		EP0		BOLT, Hex Flange Head, .312-18x1.25
3	5300 9887	4		EP0		SEAL, Valve Guide
-4	3300 2733	AR		EP0, ER0		SEAL, Valve Guide, .015" Oversize
5						VALVE, Intake, Standard
	3300 3515	4		EP0		1997 TJ, 1998 TJ
	53010 512AA	4		EP0		1999 TJ
-6						VALVE, Intake, .003" O/S
	3300 3519	AR		EP0, ER0		(NOT REQUIRED), 1999 TJ
						1997 TJ, 1998 TJ
-7						VALVE, Intake, .015" O/S
	3300 3575	AR		EP0, ER0		(NOT REQUIRED), 1999 TJ
						1997 TJ, 1998 TJ
8						VALVE, Exhaust, Standard
	4637 537	4		EP0		1997 TJ, 1998 TJ
	53010 513AA	4		EP0		1999 TJ
-9						VALVE, Exhaust, .003" O/S
	4637 539	AR		EP0, ER0		(NOT REQUIRED), 1999 TJ
						1997 TJ, 1998 TJ
-10						VALVE, Exhaust, .015 Oversize
	4637 538	AR		EP0, ER0		(NOT REQUIRED), 1999 TJ
						1997 TJ, 1998 TJ
11						RETAINER, Valve Spring
	3300 4626	8		EP0		1997 TJ, 1998 TJ
	53010 514AA	8		EP0		1999 TJ
12	5300 9886	4		EP0		SEAL, Valve Guide
-13	3300 3016	AR		EP0, ER0		SEAL, Valve Guide, .015" Oversize
14						LOCK, Valve Spring Retainer
	3300 3521	16		EP0		1997 TJ, 1998 TJ
	53010 515AA	16		EP0		1999 TJ
15						SPRING, Valve
	5301 0388	12		ER0		1998 TJ
		8		EP0		1999 TJ
	5302 0556	8		EP0		1997 TJ
16	J324 1709	8		EP0		PUSH ROD, FRONT SUSPENSION

JEEP WRANGLER (TJ)

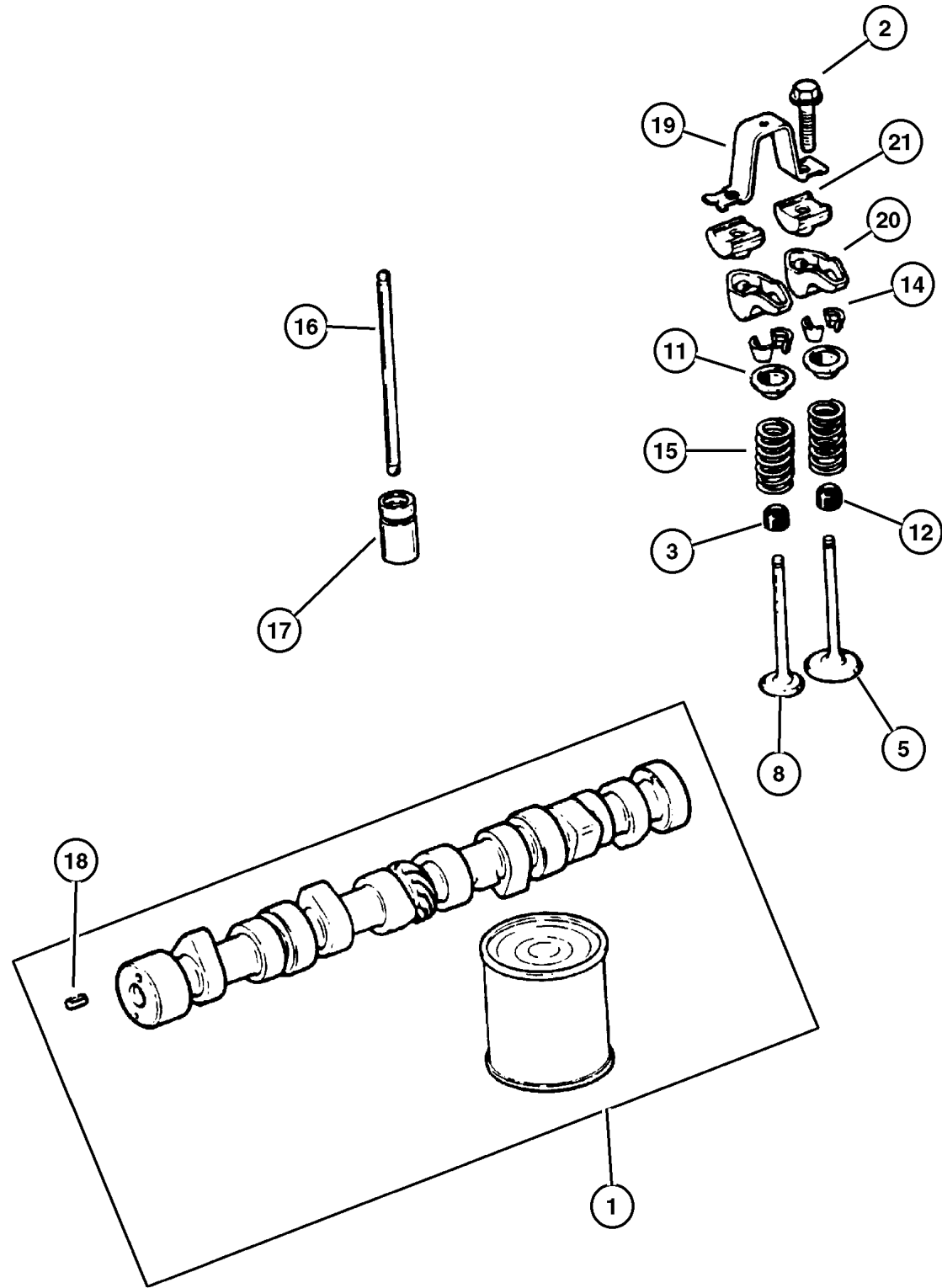
SERIES	LINE	BODY	ENGINE	TRANSMISSION
L=Low Line	J = Wrangler 4WD U = Wrangler 4WD (RHD)	77 = 93.4 WB	EPE, EP0 = 2.5L Power Tech ERH, ER0 = 4.0L Power Tech	DGG, DGD = 32RH 3 Spd. Auto. DDQ = 5 Spd. Manual DG0 = All Auto. Trans. DBB =All Manual Trans.

AR = Use as required - = Non illustrated part # = New this model year

June 7, 2002

Camshaft and Valves 2.5L (EPE) Engine
Figure 2.5L4-510

ITEM	PART NUMBER	QTY	LINE	ENGINE	TRANS	DESCRIPTION
17	4740 269	8		EPO		TAPPET, Valve
18	J045 6384	1		EPO		DOWEL, Camshaft Sprocket
19	J323 6513	4		EPO		BRIDGE, Rocker Arm
20	J324 2393	8		EPO		ROCKER ARM, Valve
21	J323 5090	8		EPO		PIVOT, Rocker Arm

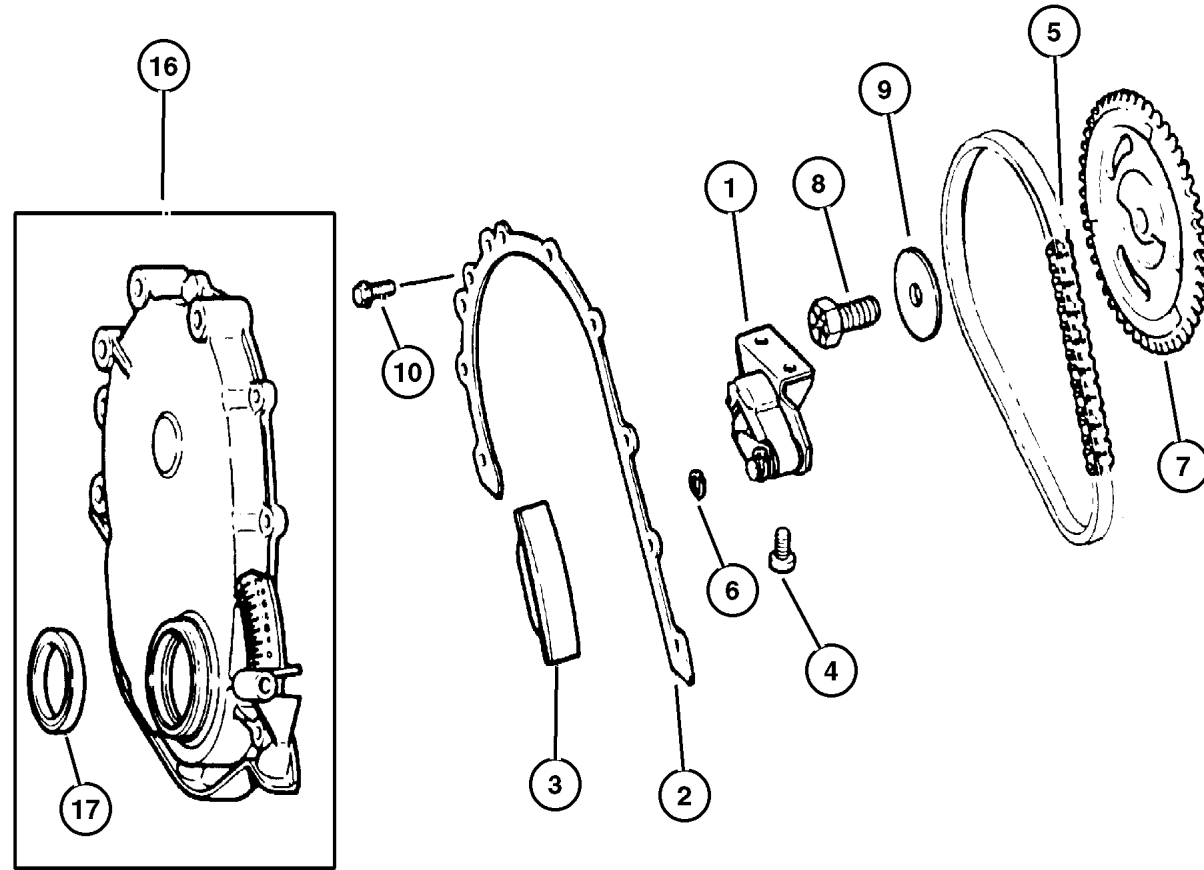


JEEP WRANGLER (TJ)				
SERIES	LINE	BODY	ENGINE	TRANSMISSION
L=Low Line	J = Wrangler 4WD U = Wrangler 4WD (RHD)	77 = 93.4 WB	EPE, EP0 = 2.5L Power Tech ERH, ER0 = 4.0L Power Tech	DGG, DGD = 32RH 3 Spd. Auto. DDQ = 5 Spd. Manual DG0 = All Auto. Trans. DBB =All Manual Trans.

AR = Use as required - = Non illustrated part # = New this model year

June 7, 2002

**Timing Cover 2.5L (EPE) Engine
Figure 2.5L4-610**



ITEM	PART NUMBER	QTY	LINE	ENGINE	TRANS	DESCRIPTION
Note; EP0= All 2.5L Engines ER0= All 4.0L Engines						
1	3300 3421	1		EP0		TENSIONER, Belt
2	5302 0487	1		EP0, ER0		GASKET, Front Cover
3	3300 3446	1		EP0, ER0		SNUBBER, Timing Chain
4	J400 6708	2		EP0		SCREW, Pan Head, .312-18x.56
5	J324 2300	1		EP0		CHAIN, Timing
6						CLIP, Serviced in Tensioner Assembly, (NOT SERVICED)
7	J324 2280	1		EP0		GEAR, Camshaft
8	J324 3156	1		EP0		BOLT, Hex Flange Head, .50-20x1.38
9						WASHER, Flat, .206 Diameter
	J317 3284	1		EP0, ER0		1997 TJ, 1998 TJ
		1		EP0		1999 TJ
10						BOLT, Hex Head, .25-20x.75 (NOT REQUIRED), 1999 TJ
	J400 6906	5		EP0, ER0		1997 TJ, 1998 TJ
-11						BOLT, Hex Head Shoulder, .312-18x1.56 (NOT REQUIRED), 1999 TJ
	6034 604	2		EP0, ER0		1997 TJ, 1998 TJ
-12						BOLT, Hex Flange Head, .250-20x1.24 (NOT REQUIRED), 1999 TJ
	6034 914	1		EP0, ER0		1997 TJ, 1998 TJ
-13						BOLT, Hex (NOT REQUIRED), 1997 TJ, 1998 TJ
	#6035 893	5		EP0, ER0		1999 TJ
-14						SCREW (NOT REQUIRED), 1997 TJ, 1998 TJ
	#6035 894	2		EP0, ER0		1999 TJ
-15						SCREW (NOT REQUIRED), 1997 TJ, 1998 TJ
	#6035 895	1		EP0, ER0		1999 TJ
16	5302 0222	1		EP0, ER0		COVER, Timing Belt

JEEP WRANGLER (TJ)

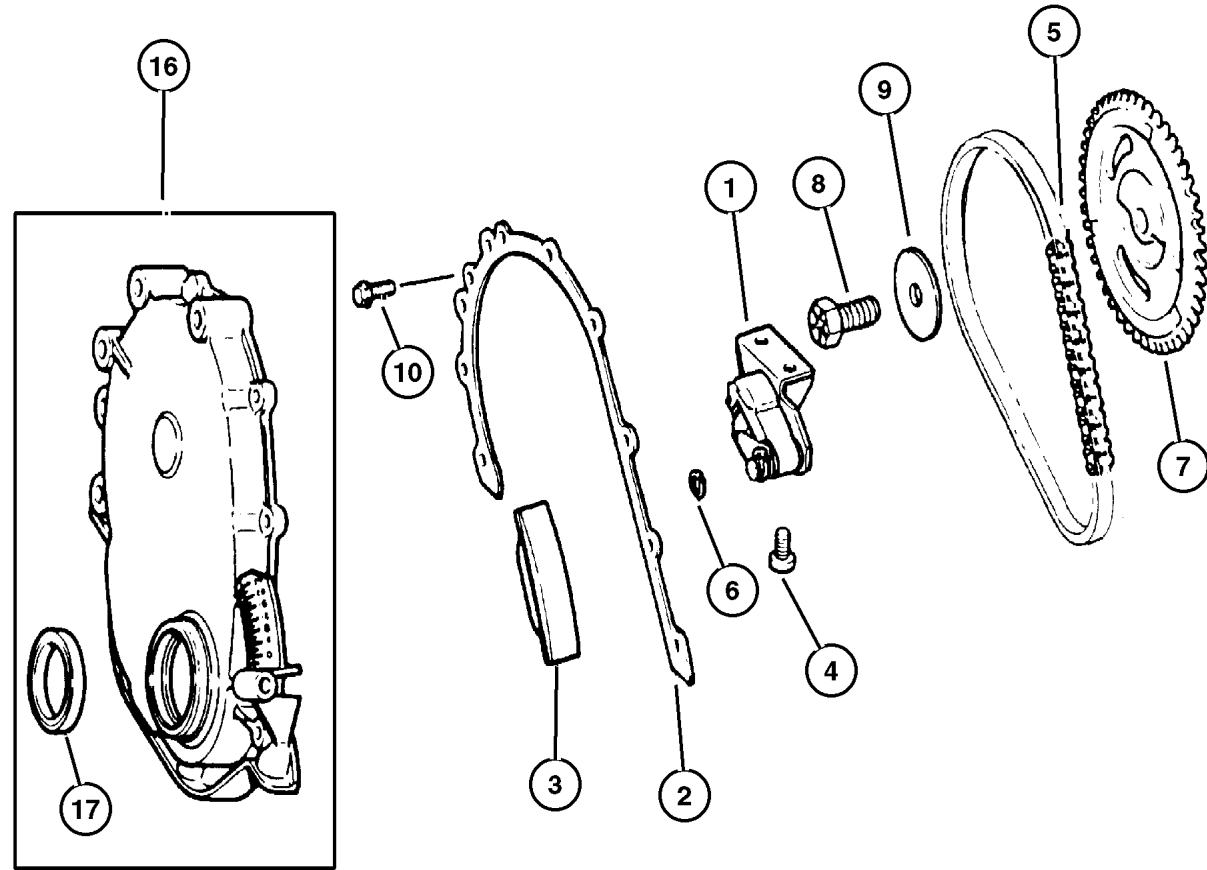
SERIES	LINE	BODY	ENGINE	TRANSMISSION
L=Low Line	J = Wrangler 4WD U = Wrangler 4WD (RHD)	77 = 93.4 WB	EPE, EP0 = 2.5L Power Tech ERH, ER0 = 4.0L Power Tech	DGG, DGD = 32RH 3 Spd. Auto. DDQ = 5 Spd. Manual DGO = All Auto. Trans. DBB =All Manual Trans.

AR = Use as required - = Non illustrated part # = New this model year

June 7, 2002

Timing Cover 2.5L (EPE) Engine
Figure 2.5L4-610

ITEM	PART NUMBER	QTY	LINE	ENGINE	TRANS	DESCRIPTION
17	3300 4681	1		EP0, ER0		SEAL, Front Main Crankshaft

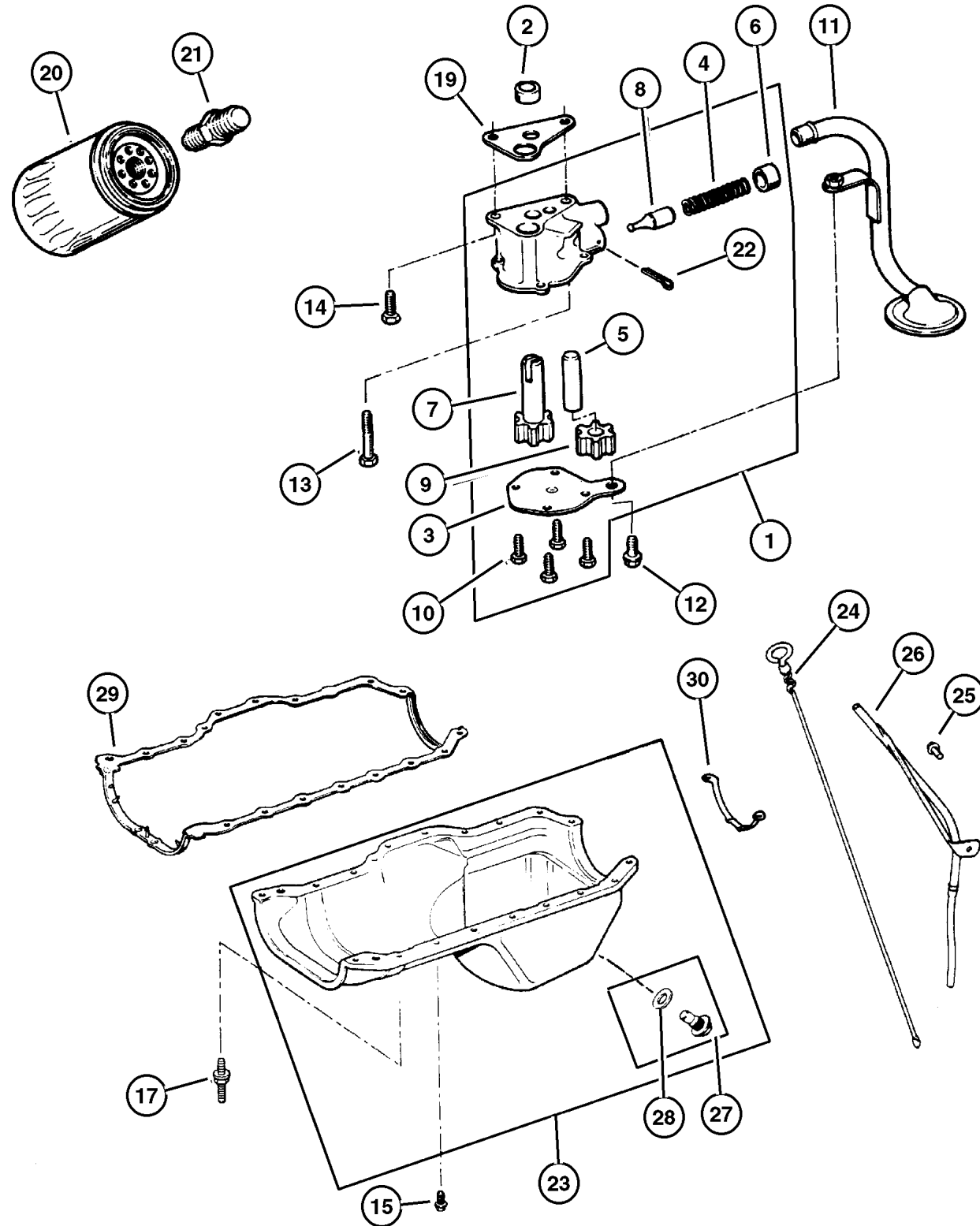


JEEP WRANGLER (TJ)				
SERIES	LINE	BODY	ENGINE	TRANSMISSION
L=Low Line	J = Wrangler 4WD U = Wrangler 4WD (RHD)	77 = 93.4 WB	EPE, EP0 = 2.5L Power Tech ERH, ER0 = 4.0L Power Tech	DGG, DGD = 32RH 3 Spd. Auto. DDQ = 5 Spd. Manual DG0 = All Auto. Trans. DBB =All Manual Trans.

AR = Use as required - = Non illustrated part # = New this model year

June 7, 2002

**Engine Oiling 2.5L (EPE) Engine
Figure 2.5L4-710**



ITEM	PART NUMBER	QTY	LINE	ENGINE	TRANS	DESCRIPTION
Note; EP0= All 2.5L Engines ER0= All 4.0L Engines						
1	J324 1399	1		EP0		PUMP, Engine Oil
2	J400 5149	1		EP0		DOWEL, Oil Pump 1997 TJ
		1		EP0, ER0		1998 TJ, 1999 TJ
3	J324 1733	1		EP0		COVER, Engine Oil Pump
4	J323 9668	1		EP0		SPRING, Oil Pressure Relief Valve
5	J317 1956	1		EP0		SHAFT, Oil Pump
6	J317 1958	1		EP0		RETAINER, Oil Release Valve
7	J317 2334	1		EP0		GEAR, Oil Pump
8	J318 8661	1		EP0		PLUNGER, Oil Pressure Relief Valve
9	J319 6843	1		EP0		GEAR, Oil Pump Driven
10	J941 6852	4		EP0		SCREW, Hex Flange Head, .25-20x.50
11	5302 0564	1		EP0		TUBE, Oil Pump Inlet
12						BOLT, .312-18x.625, (NOT SERVICED)
13	0154 593	1		EP0, ER0		SCREW, Hex Head Coned, .312-18x2.625
14	6022 235	1		EP0, ER0		BOLT AND WASHER, Hex Head, .312-18x1.00
15	6034 732	13		EP0		SCREW AND WASHER, Hex Head, .25-20x.545
-16	6034 483	3		EP0		SCREW, Hex Head Coned, .312-18x.875
17	6034 734	6		EP0		BOLT, Double Stud Hex, .250-20x1.437 & .250-20 x.700
-18	6034 733	1		EP0		STUD, .312-18/.250-20x1.680
19	J317 2332	1		EP0, ER0		GASKET, Oil Pump
20	5281 090	1		EP0, ER0		FILTER, Engine Oil
21	5300 7563	1		EP0, ER0		CONNECTOR, Oil Filter
22	J027 1448	1		EP0		PIN, Roll, 5/32" x 1.00"
23	5302 0560	1		EP0		PAN, Engine Oil
24						INDICATOR, Engine Oil Level
	5301 0444	1		EP0		1997 TJ, 1998 TJ
	#53010 444AB	1		EP0		1999 TJ
25						STUD, .312-18x1.560
	6035 664	1		EP0		1997 TJ
		1		EP0, ER0		1998 TJ, 1999 TJ
26	5301 0343	1		EP0		TUBE, Oil Filler
27	6035 417	1		EP0		PLUG, Oil Drain
28						GASKET, Oil Drain Plug, Serviced in Plug, (NOT SERVICED)

JEEP WRANGLER (TJ)

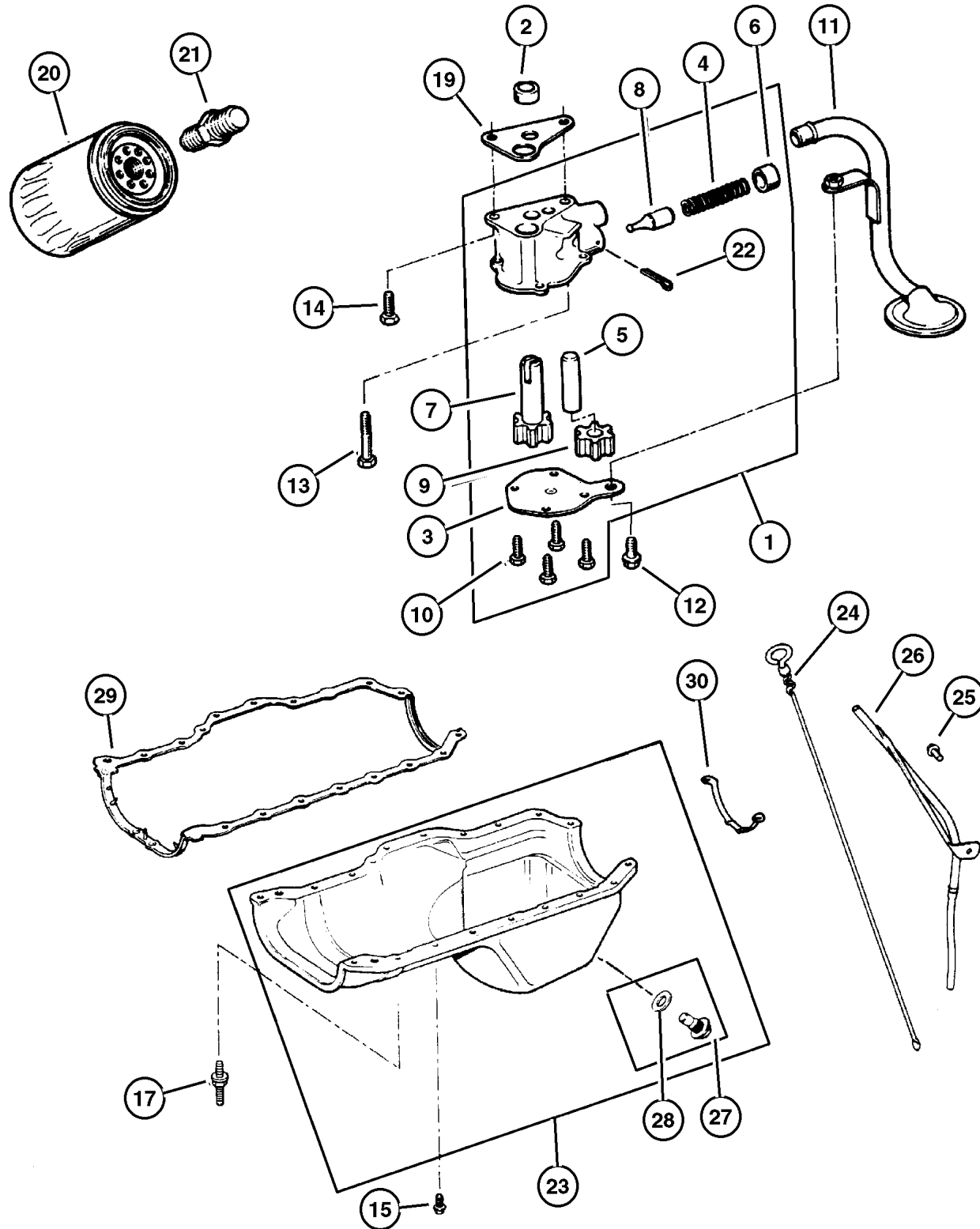
SERIES	LINE	BODY	ENGINE	TRANSMISSION
L=Low Line	J = Wrangler 4WD U = Wrangler 4WD (RHD)	77 = 93.4 WB	EPE, EP0 = 2.5L Power Tech ERH, ER0 = 4.0L Power Tech	DGG, DGD = 32RH 3 Spd. Auto. DDQ = 5 Spd. Manual DG0 = All Auto. Trans. DBB =All Manual Trans.

AR = Use as required - = Non illustrated part # = New this model year

June 7, 2002

**Engine Oiling 2.5L (EPE) Engine
Figure 2.5L4-710**

ITEM	PART NUMBER	QTY	LINE	ENGINE	TRANS	DESCRIPTION
29	5300 7567	1		EPO		GASKET, Oil Pan
30	J324 3116	1		EPO		SUPPORT, Engine Oil Pan

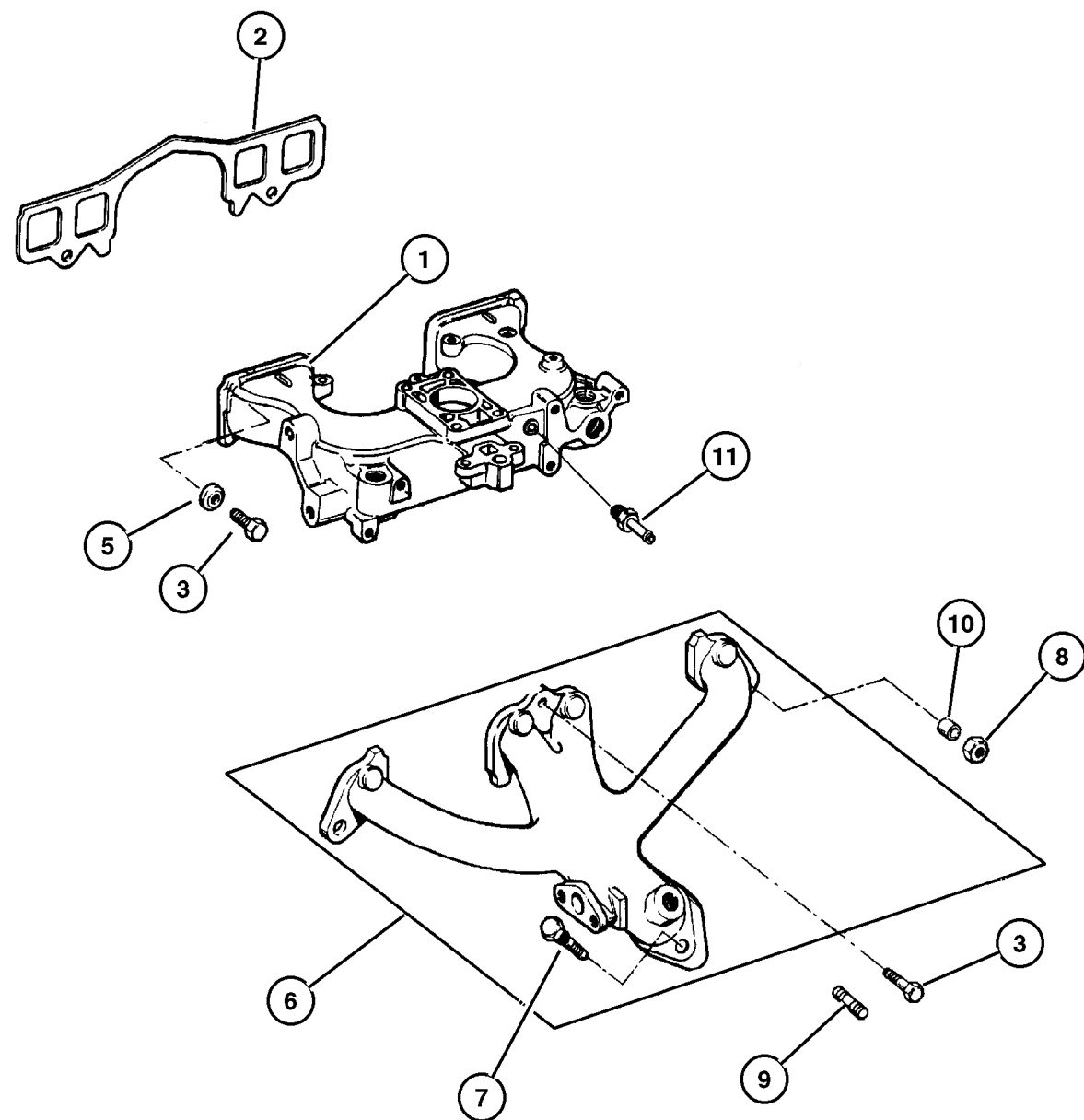


JEEP WRANGLER (TJ)
 SERIES LINE BODY ENGINE TRANSMISSION
 L=Low Line J = Wrangler 4WD 77 = 93.4 WB EPE, EP0 = 2.5L Power Tech DGG, DGD = 32RH 3 Spd. Auto.
 U = Wrangler 4WD (RHD) ERH, ER0 = 4.0L Power Tech DDQ = 5 Spd. Manual
 DG0 = All Auto. Trans.
 DBB =All Manual Trans.

AR = Use as required - = Non illustrated part # = New this model year

June 7, 2002

**Manifold, Intake and Exhaust 2.5L (EPE) Engine
Figure 2.5L4-810**



ITEM	PART NUMBER	QTY	LINE	ENGINE	TRANS	DESCRIPTION
Note; EP0= All 2.5L Engines						
ER0= All 4.0L Engines						
1	5301 0245	1		EP0		MANIFOLD, Intake
2	5302 0112	1		EP0		GASKET, Intake Manifold
3						BOLT, Hex Head, .375-16x1.25
	J018 6622	4		EP0		(NOT REQUIRED), 1999 TJ 1997 TJ, 1998 TJ
-4						BOLT AND RETAINER, Hex Head (NOT REQUIRED), 1997 TJ, 1998 TJ
	#6036 045AA	4		EP0		1999 TJ
5	3300 4255	7		EP0		WASHER, Manifold Retaining
		2		EP0		1999 TJ
6	5300 8860	1		EP0		MANIFOLD, Exhaust
7	J400 7109	2		EP0		STUD, .375-16x1.69
8	6034 984	2		EP0, ER0		NUT, Hex Flange Lock, .375-24
9	#6036 193AA	2		EP0, ER0		STUD, .375-16/.375-24x1.75 1999 TJ
	5301 0165	2		EP0, ER0		1997 TJ, 1998 TJ
10	3300 3332	2		EP0		SPACER, Exhaust Manifold
11	4854 194	1		EP0		FITTING, Vacuum

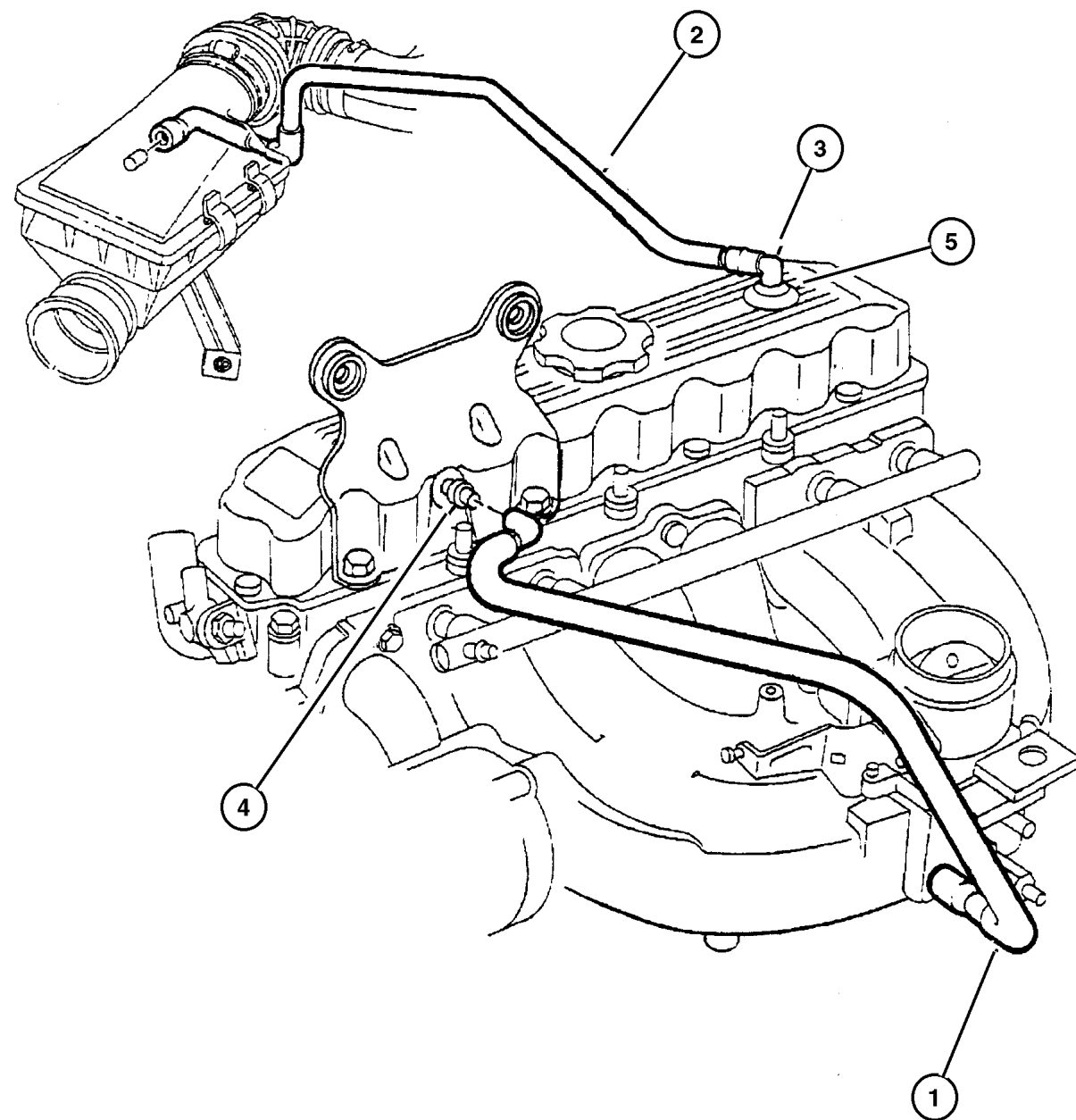
JEEP WRANGLER (TJ)

SERIES	LINE	BODY	ENGINE	TRANSMISSION
L=Low Line	J = Wrangler 4WD U = Wrangler 4WD (RHD)	77 = 93.4 WB	EPE, EP0 = 2.5L Power Tech ERH, ER0 = 4.0L Power Tech	DGG, DGD = 32RH 3 Spd. Auto. DDQ = 5 Spd. Manual DG0 = All Auto. Trans. DBB =All Manual Trans.

AR = Use as required - = Non illustrated part # = New this model year

June 7, 2002

**Crankcase Ventilation 2.5L (EPE) Engine
Figure 2.5L4-910**



ITEM	PART NUMBER	QTY	LINE	ENGINE	TRANS	DESCRIPTION
Note; EP0= All 2.5L Engines						
ER0= All 4.0L Engines						
1	4854 072	1		EP0		TUBE, Vent
2	5303 0614	1		EP0		TUBE, Crankcase Vent Valve
3	5303 0497	1		EP0, ER0		FITTING, Crankcase Vent Tube
4	3300 4175	1		EP0		CONNECTOR, Vacuum Hose
5	2946 079	1		EP0		GROMMET, Crankcase Vent

JEEP WRANGLER (TJ)				
SERIES	LINE	BODY	ENGINE	TRANSMISSION
L=Low Line	J = Wrangler 4WD U = Wrangler 4WD (RHD)	77 = 93.4 WB	EPE, EP0 = 2.5L Power Tech ERH, ER0 = 4.0L Power Tech	DGG, DGD = 32RH 3 Spd. Auto. DDQ = 5 Spd. Manual DG0 = All Auto. Trans. DBB =All Manual Trans.

AR = Use as required - = Non illustrated part # = New this model year

June 7, 2002

Group – 4.0L

Engine 4.0L Six Cylinder

GROUP 4.0L - Engine 4.0L Six Cylinder

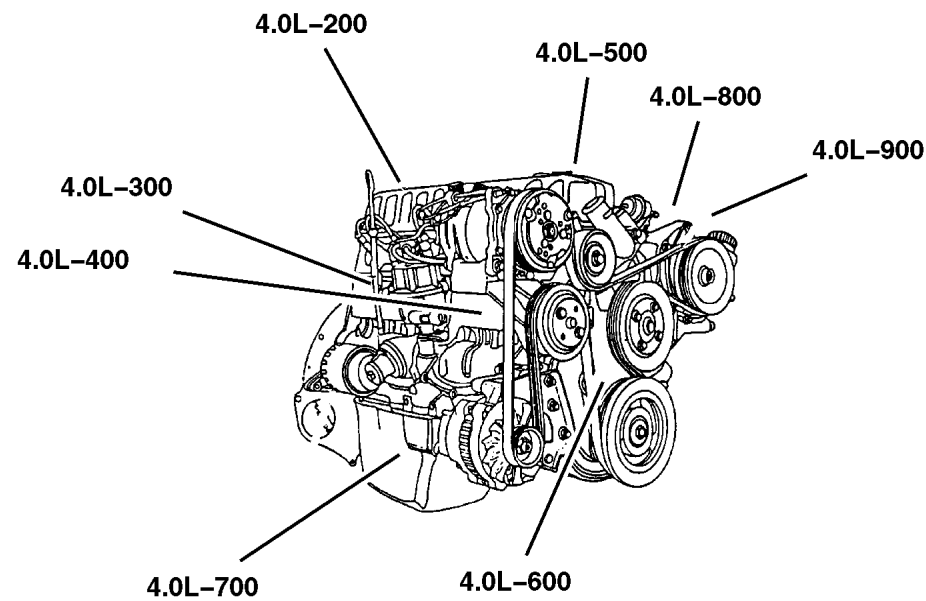


Illustration Title

Group-Fig. No.

Cylinder Head

Cylinder Head 4.0L (ERH) Engine Fig. 4.0L-210

Cylinder Block

Cylinder Block 4.0L (ERH) Engine Fig. 4.0L-310

Crankshaft, Piston and Torque Converter

Crankshaft, Piston and Torque Converter 4.0L (ERH) Engine Fig. 4.0L-410

Camshafts & Valves

Camshaft and Valves 4.0L (ERH) Engine Fig. 4.0L-510

Timing Belt and Cover

Timing Cover 4.0L (ERH) Engine 1997 TJ Fig. 4.0L-610

Timing Cover 4.0L (ERH) Engine 1998 TJ Fig. 4.0L-610

Timing Cover 4.0L (ERH) Engine 1999 TJ Fig. 4.0L-610

Engine Oiling

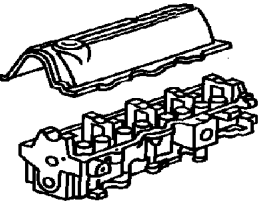
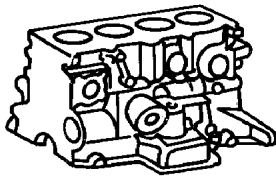
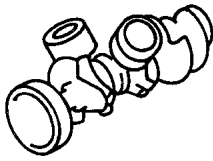
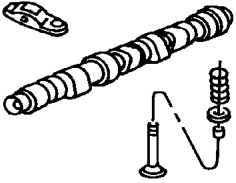
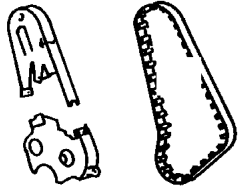
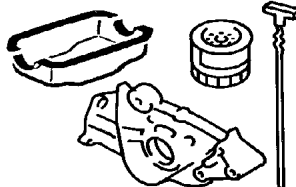
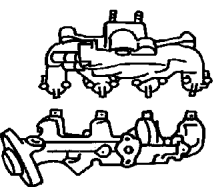
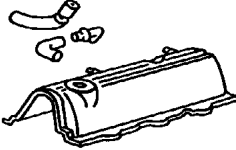
Engine Oiling 4.0L (ERH) Engine Fig. 4.0L-710

Manifolds

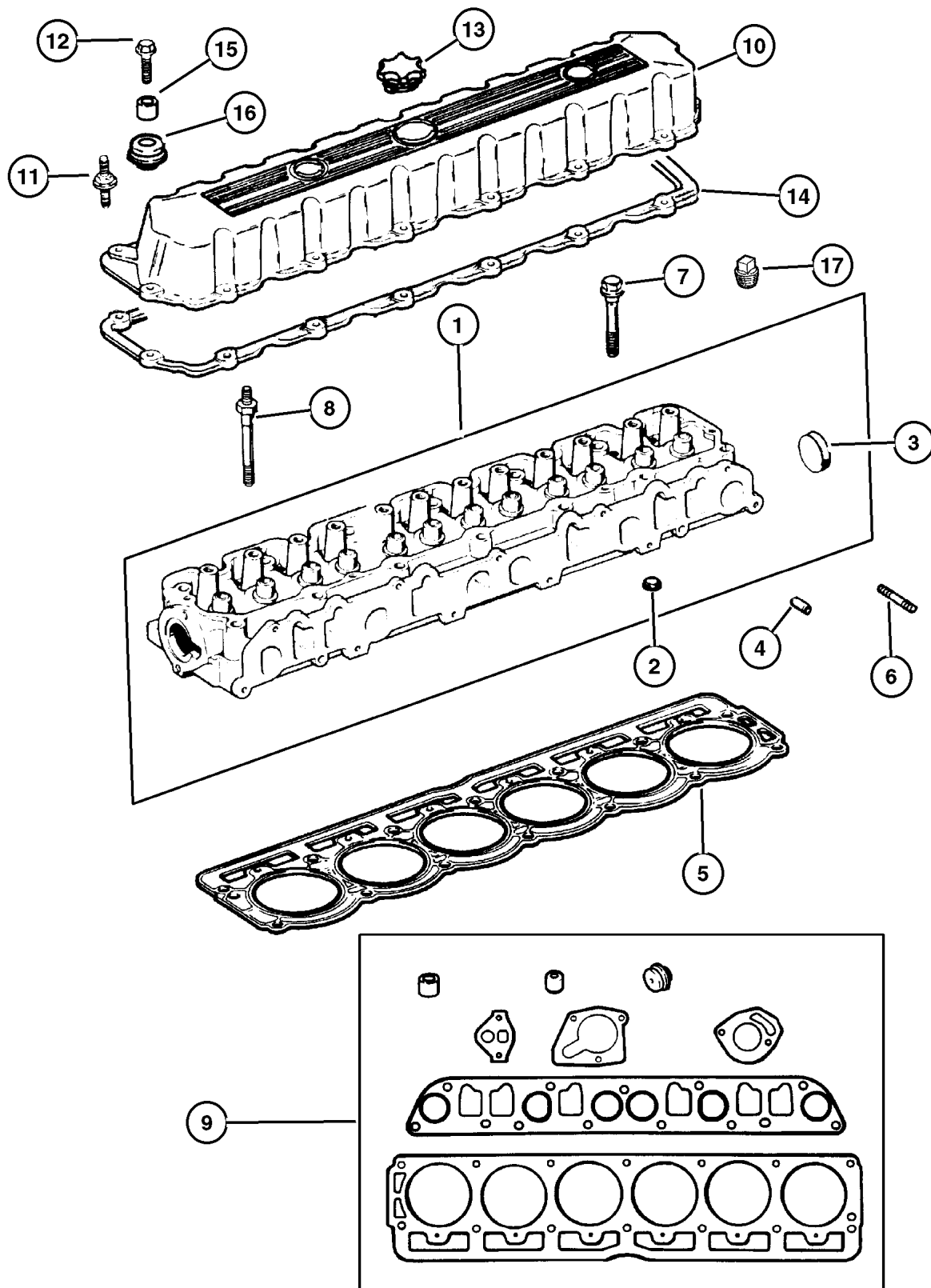
Manifold, Intake and Exhaust 4.0L (ERH) Engine Fig. 4.0L-810

Crankcase Ventilation

Crankcase Ventilation 4.0L (ERH) Engine Fig. 4.0L-910

<p>4.0L-200 Cylinder Head</p> 	<p>4.0L-300 Cylinder Block</p> 	<p>4.0L-400 Crankshaft, Piston and Torque Converter</p> 	<p>4.0L-500 Camshafts & Valves</p> 
<p>4.0L-600 Timing Belt and Cover</p> 	<p>4.0L-700 Engine Oiling</p> 	<p>4.0L-800 Manifolds</p> 	<p>4.0L-900 Crankcase Ventilation</p> 

Cylinder Head 4.0L (ERH) Engine Figure 4.0L-210



ITEM	PART NUMBER	QTY	LINE	ENGINE	TRANS	DESCRIPTION
Note; DBB= All Manual Transmissions						
DG0= All Automatic Transmissions						
EP0= All 2.5L Engines						
ER0= All 4.0L Engines						
1						HEAD, Cylinder
	5302 0622	1		ER0		1997 TJ
	#53020 622AB	1		ER0		1999 TJ
	53020 622AC	1		ER0		1998 TJ
2	J400 7434	4		ER0		PLUG, Cylinder Block Oil Hole
3	J310 5394	1		ER0		PLUG, Cylinder Block Oil Hole
4	J317 2318	2		EP0, ER0		DOWEL, Cylinder Head To Intake
5						GASKET, Cylinder Head
	5302 0754	1		ER0		1997 TJ
	53020 754AB	1		ER0		1998 TJ, 1999 TJ
6	#6036 193AA	2		EP0, ER0		STUD, .375-16/.375-24x1.75 1999 TJ
	5301 0165	2		EP0, ER0		1997 TJ, 1998 TJ
7						BOLT, Cylinder Head
	6035 514	5		ER0		w/o Dome Head
	6035 515	2		ER0		w/Dome Head
8	6035 516	7		ER0		STUD, Double Ended, .50-13/.437-14x6.00 1997 TJ
		6		ER0		1998 TJ, 1999 TJ
9						GASKET PACKAGE, Engine
	4636 982	1		ER0	DBB	1997 TJ
		1		ER0	DG0	1997 TJ
	4636 982AC	1		ER0		1998 TJ
		1		ER0	DBB	1999 TJ
		1		ER0	DG0	1999 TJ
10	5302 0323	1		ER0		COVER, Cylinder Head
11						STUD, .250-20x2.00
	6035 567	7		ER0		Up To 3-1-97, 1997 TJ
	6035 968AA	7		ER0		After 3-1-97, 1997 TJ
		7		ER0		1998 TJ, 1999 TJ
12	6035 566	8		ER0		BOLT, Hex Flange Head, .250-20x1.00
13	4777 536	1		ER0		CAP, Oil Filler
14						GASKET, Valve Cover
	53020 758AB	1		ER0		1997 TJ
	53020 758AC	1		ER0		1998 TJ, 1999 TJ
15						SLEEVE, Torque Limiter

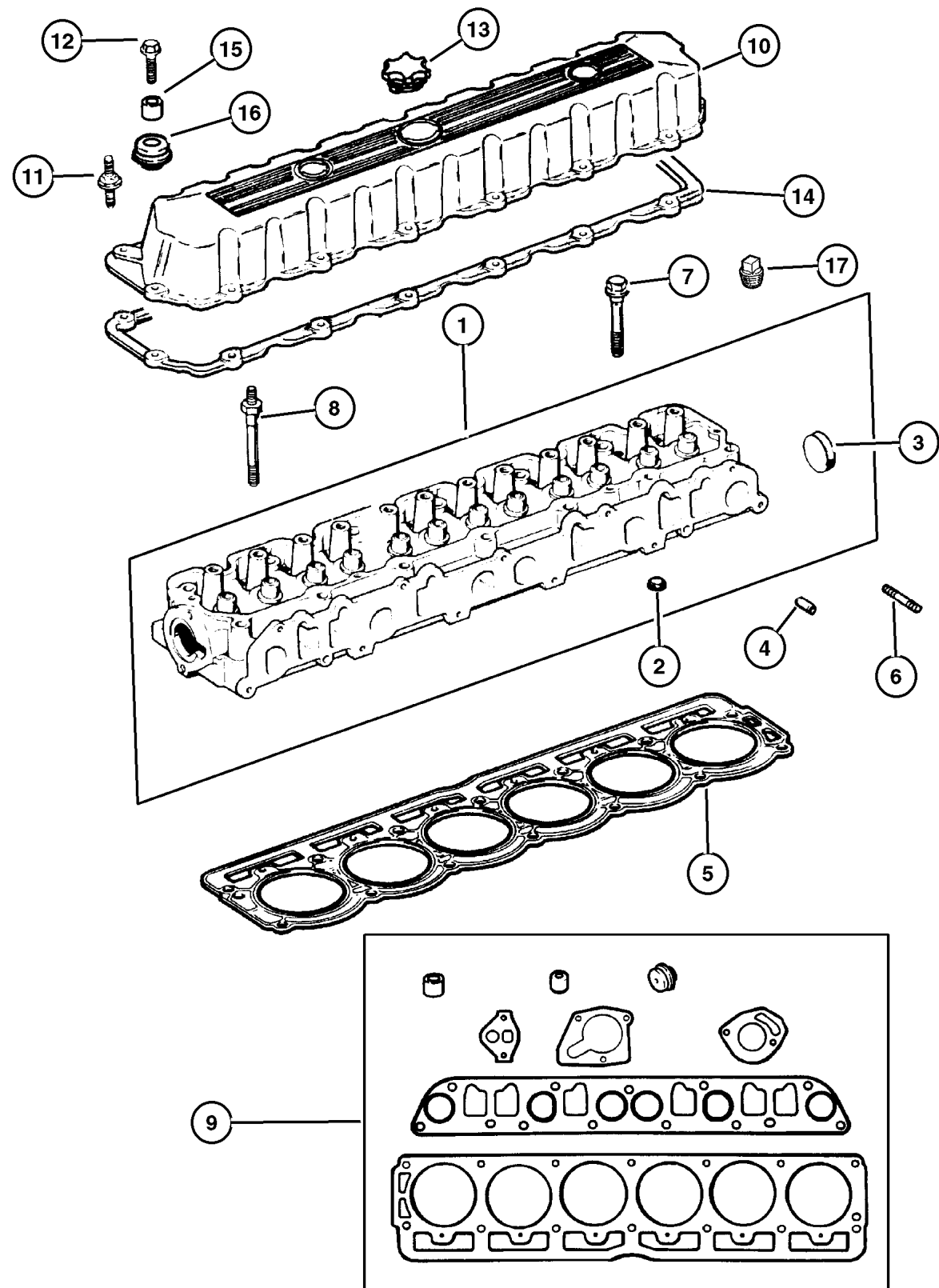
JEEP WRANGLER (TJ)

SERIES	LINE	BODY	ENGINE	TRANSMISSION
L=Low Line	J = Wrangler 4WD U = Wrangler 4WD (RHD)	77 = 93.4 WB	EPE, EP0 = 2.5L Power Tech ERH, ER0 = 4.0L Power Tech	DGG, DGD = 32RH 3 Spd. Auto. DDQ = 5 Spd. Manual DG0 = All Auto. Trans. DBB =All Manual Trans.

AR = Use as required - = Non illustrated part # = New this model year

June 7, 2002

**Cylinder Head 4.0L (ERH) Engine
Figure 4.0L-210**



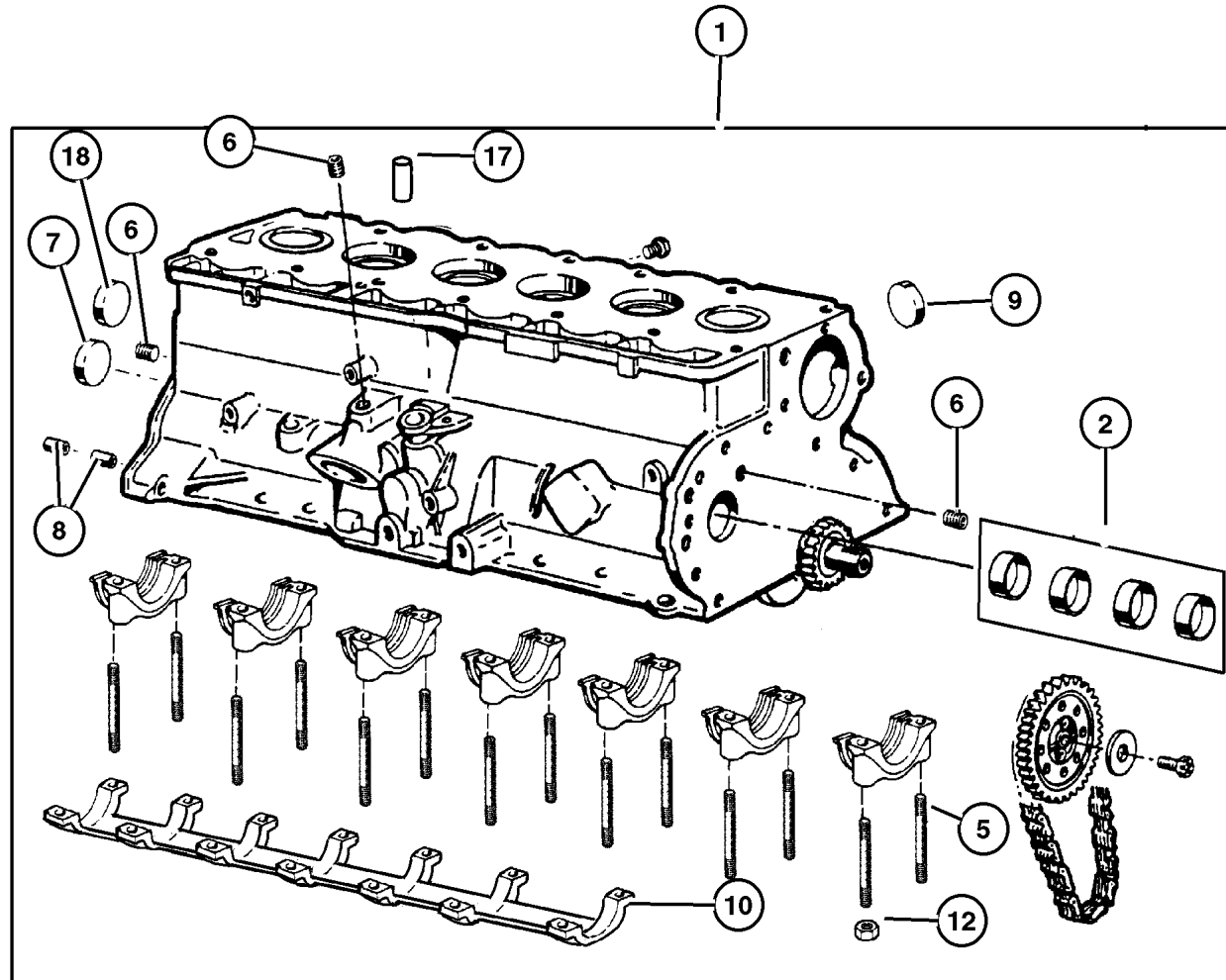
ITEM	PART NUMBER	QTY	LINE	ENGINE	TRANS	DESCRIPTION
	5302 0598	15		ER0	1997 TJ	
	53020 598AB	15		ER0	1998 TJ, 1999 TJ	
16	5301 0424	15		ER0		GROMMET, Insulator
17						PLUG, Pipe, .125-27x3.50 (NOT REQUIRED), 1998 TJ, 1999 TJ
	6035 687	1		EP0, ER0	1997 TJ	

JEEP WRANGLER (TJ)				
SERIES	LINE	BODY	ENGINE	TRANSMISSION
L=Low Line	J = Wrangler 4WD U = Wrangler 4WD (RHD)	77 = 93.4 WB	EPE, EP0 = 2.5L Power Tech ERH, ER0 = 4.0L Power Tech	DGG, DGD = 32RH 3 Spd. Auto. DDQ = 5 Spd. Manual DG0 = All Auto. Trans. DBB =All Manual Trans.

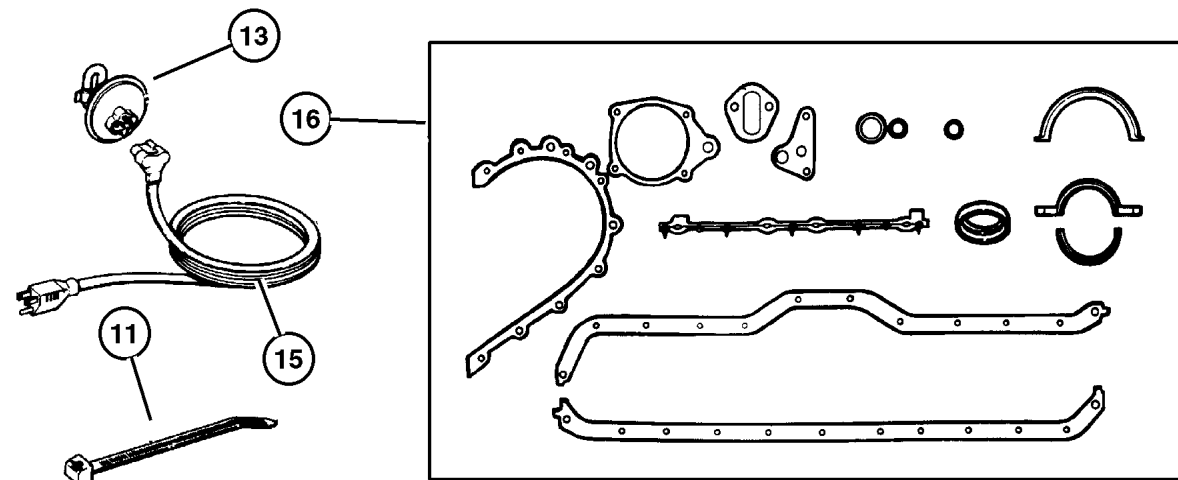
AR = Use as required - = Non illustrated part # = New this model year

June 7, 2002

**Cylinder Block 4.0L (ERH) Engine
Figure 4.0L-310**



ITEM	PART NUMBER	QTY	LINE	ENGINE	TRANS	DESCRIPTION
Note: DBB= All Manual Transmissions DG0= All Automatic Transmissions EP0= All 2.5L Engines ER0= All 4.0L Engines						
1						BLOCK, Short
	4883 025	1		ER0		1997 TJ, 1998 TJ
	#5013 116AA	1		ER0	DBB	Contains: Crank, Rods, Pistons, Rings, Cam Bearings, Timing Chain, Sprockets, 1999 TJ
		1		ER0	DG0	Contains: Crank, Rods, Pistons, Rings, Cam Bearings, Timing Chain, Sprockets, 1999 TJ
2						BEARING KIT, Camshaft, Standard (NOT REQUIRED), 1999 TJ
	J320 5711	1		ER0		1997 TJ, 1998 TJ
-3						BEARING PACKAGE, Camshaft, Standard Size (NOT REQUIRED), 1997 TJ, 1998 TJ
	#4636 985AB	1		ER0		1999 TJ
-4						BEARING KIT, Camshaft, .010 Oversize (NOT REQUIRED), 1999 TJ
	J320 8985	1		ER0		1997 TJ, 1998 TJ
5	6035 207	14		ER0		STUD, .500-13/.375-16x3.97
6	6034 166	3		ER0		PLUG, Cylinder Block Oil Hole
7	J317 2313	1		EP0		PLUG, Camshaft
8	J400 5148	2		ER0		DOWEL, Transmission
9	J310 5394	6		ER0		PLUG, Cylinder Block Oil Hole
10	5302 0566	1		ER0		BRACE, Main Bearing Cap
11	4641 780	1				STRAP, Tie
12	0152 474	14		ER0		NUT, Hex Flange Lock, .375-16
13						HEATER, Engine Block (NOT REQUIRED), 1999 TJ
	5300 9803	1		ER0		1997 TJ, 1998 TJ
-14						HEATER PACKAGE, Engine Block (NOT REQUIRED), 1997 TJ, 1998 TJ
	8220 1506	1		ER0		1999 TJ
15	5601 6834	1		EP0, ER0		CORD, Engine Block Heater
16						GASKET PACKAGE, Engine
	4740 008	1		ER0	DBB	1997 TJ
		1		ER0	DG0	1997 TJ
	4740 008AC	1		ER0		1998 TJ, 1999 TJ
17	0141 215	2		ER0		DOWEL, .312 x .500
18	5302 0465	1		ER0		PLUG, Cylinder Block



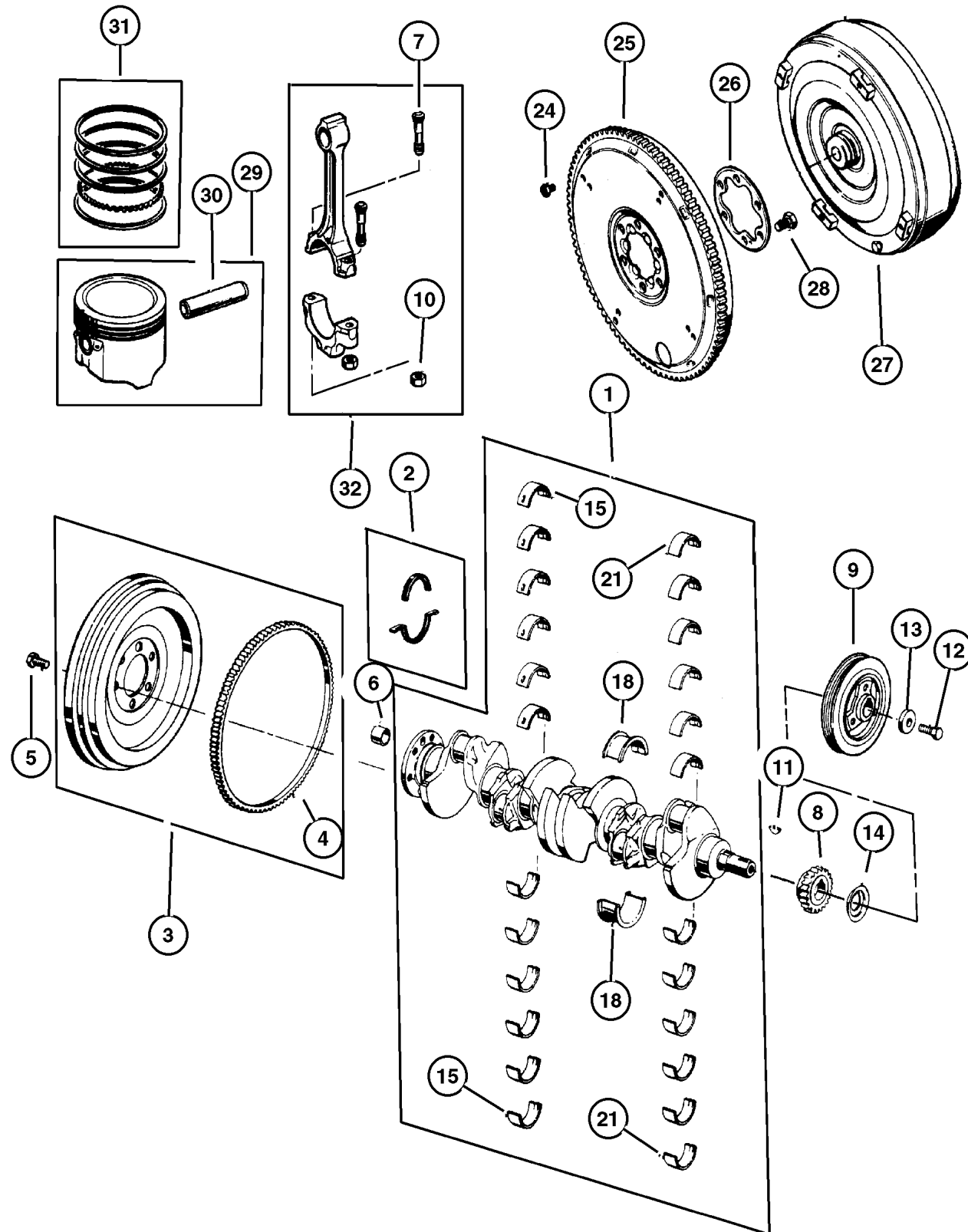
JEEP WRANGLER (TJ)

SERIES	LINE	BODY	ENGINE	TRANSMISSION
L=Low Line	J = Wrangler 4WD U = Wrangler 4WD (RHD)	77 = 93.4 WB	EPE, EP0 = 2.5L Power Tech ERH, ER0 = 4.0L Power Tech	DGG, DGD = 32RH 3 Spd. Auto. DDQ = 5 Spd. Manual DG0 = All Auto. Trans. DBB =All Manual Trans.

AR = Use as required - = Non illustrated part # = New this model year

June 7, 2002

**Crankshaft, Piston and Torque Converter 4.0L (ERH) Engine
Figure 4.0L-410**



ITEM	PART NUMBER	QTY	LINE	ENGINE	TRANS	DESCRIPTION
------	-------------	-----	------	--------	-------	-------------

Note; DBB= All Manual Transmissions
 DG0= All Automatic Transmissions
 EP0= All 2.5L Engines
 ER0= All 4.0L Engines

ITEM	PART NUMBER	QTY	LINE	ENGINE	TRANS	DESCRIPTION
1						CRANKSHAFT
	4864 726	1		ER0	DBB	1997 TJ
		1		ER0	DG0	1997 TJ, 1998 TJ
		1		ER0		1999 TJ
2	4778 126	1		ER0		SEAL PACKAGE, Crankshaft
3	5302 0519	1		ER0	DBB	FLYWHEEL
4	J317 9741	1		ER0	DBB	GEAR, Ring
5	J317 0524	6		ER0	DBB	BOLT, Flywheel
6						BEARING, Pilot
	5300 9180	1		ER0	DBB	Sleeve and Bearing, 1997 TJ, 1998 TJ
	#53009 180AB	1		ER0	DBB	Sleeve and Bearing, 1999 TJ
	5300 9181	1		ER0	DBB	Bearing
7	5302 0123	12		ER0		BOLT, Connecting Rod
8	5302 0443	1		ER0		GEAR, Crankshaft
9	3300 2920	1		ER0		DAMPER, Crankshaft
10	J400 6385	12		ER0		NUT, Hex Flange, .3437-24
11	6034 749	1		EP0,		KEY, Crankshaft Sprocket
				ER0		
12	0182 776	1		EP0,		BOLT
				ER0		
13	J323 0155	1		EP0,		WASHER, Plain
				ER0		
14	J317 3076	1		EP0,		SLINGER, Oil
				ER0		
15	8350 7079	6		ER0		BEARING PACKAGE, Crankshaft, Standard
-16	8350 7080	AR		EP0,		BEARING PACKAGE, Crankshaft, .001 Undersize
				ER0		
-17	8350 7083	AR		EP0,		BEARING PACKAGE, Crankshaft, .010 Undersize
				ER0		
18	8350 7084	1		EP0,		BEARING PACKAGE, Crankshaft Thrust, Standard Size
				ER0		
-19	8350 7086	AR		EP0,		BEARING PACKAGE, Crankshaft Thrust, .001" Undersize
				ER0		
-20	8350 7090	AR		EP0,		BEARING PACKAGE, Crankshaft Thrust, .010" Undersize
				ER0		
21	8350 0300	12		ER0		BEARING KIT, Connecting Rod, Standard
-22	8350 1397	AR		EP0,		BEARING KIT, Connecting Rod, .001 Undersize
				ER0		

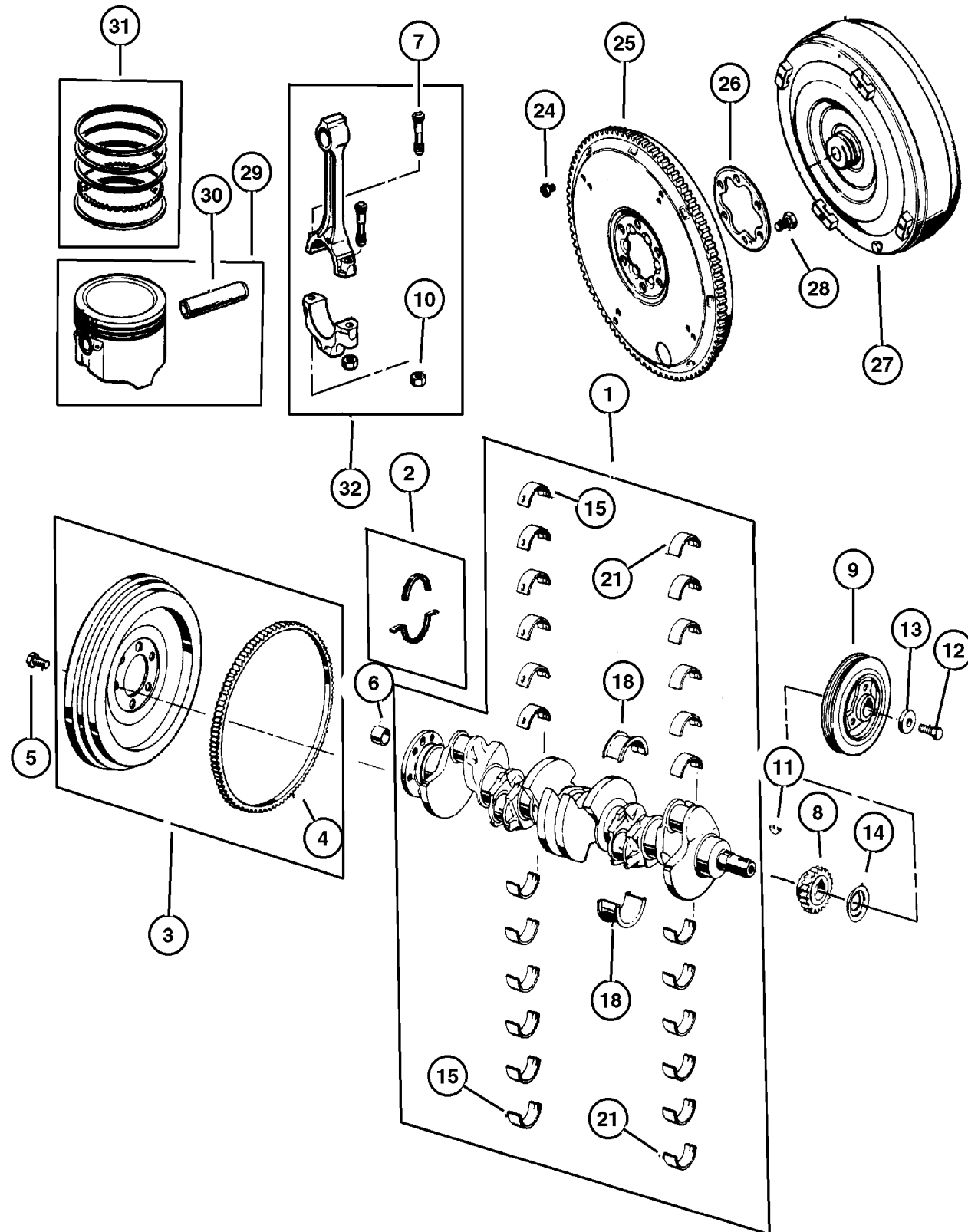
JEEP WRANGLER (TJ)

SERIES	LINE	BODY	ENGINE	TRANSMISSION
L=Low Line	J = Wrangler 4WD U = Wrangler 4WD (RHD)	77 = 93.4 WB	EPE, EP0 = 2.5L Power Tech ERH, ER0 = 4.0L Power Tech	DGG, DGD = 32RH 3 Spd. Auto. DDQ = 5 Spd. Manual DG0 = All Auto. Trans. DBB =All Manual Trans.

AR = Use as required - = Non illustrated part # = New this model year

June 7, 2002

**Crankshaft, Piston and Torque Converter 4.0L (ERH) Engine
Figure 4.0L-410**



ITEM	PART NUMBER	QTY	LINE	ENGINE	TRANS	DESCRIPTION
-23	8350 0301	AR		EP0, ER0		BEARING KIT, Connecting Rod, .010 Undersize
24	1949 765	4	J	ER0	DG0	SCREW, Hex Head Header Point, .312-24x.44
25	5211 8257	1		ER0	DG0	PLATE, Drive Plate
26	J321 4094	1		ER0	DG0	PLATE, Drive Plate Backing
27	4736 596	1		ER0	DG0	TORQUE CONVERTER
28	J315 1407	6		ER0	DG0	BOLT, Hex Head, .50-20x.56
29						PISTON PIN AND ROD
	4798 329	AR		ER0		B Size, 3.8742, 1997 TJ, 1998 TJ
		6		ER0		B Size, 3.8742, 1999 TJ
	4798 330	AR		ER0		C Size, 3.8746, 1997 TJ, 1998 TJ
		6		ER0		C Size, 3.8746, 1999 TJ
	4798 331	AR		ER0		D Size, 3.8750, 1997 TJ, 1998 TJ
		6		ER0		D Size, 3.8750, 1999 TJ
	4798 332	AR		ER0		E Size, 3.8754, 1997 TJ, 1998 TJ
		6		ER0		E Size, 3.8754, 1999 TJ
	4798 333	AR		ER0		F Size, 3.8758, 1997 TJ, 1998 TJ
		6		ER0		F Size, 3.8758, 1999 TJ
30						PIN, Piston, Serviced in Piston Assembly, (NOT SERVICED)
31						RING PACKAGE, Piston, Standard Size Complete Engine
	4798 878	1		ER0	DBB	
32		1		ER0	DG0	ROD, Connecting, Serviced in Piston Assembly, (NOT SERVICED)

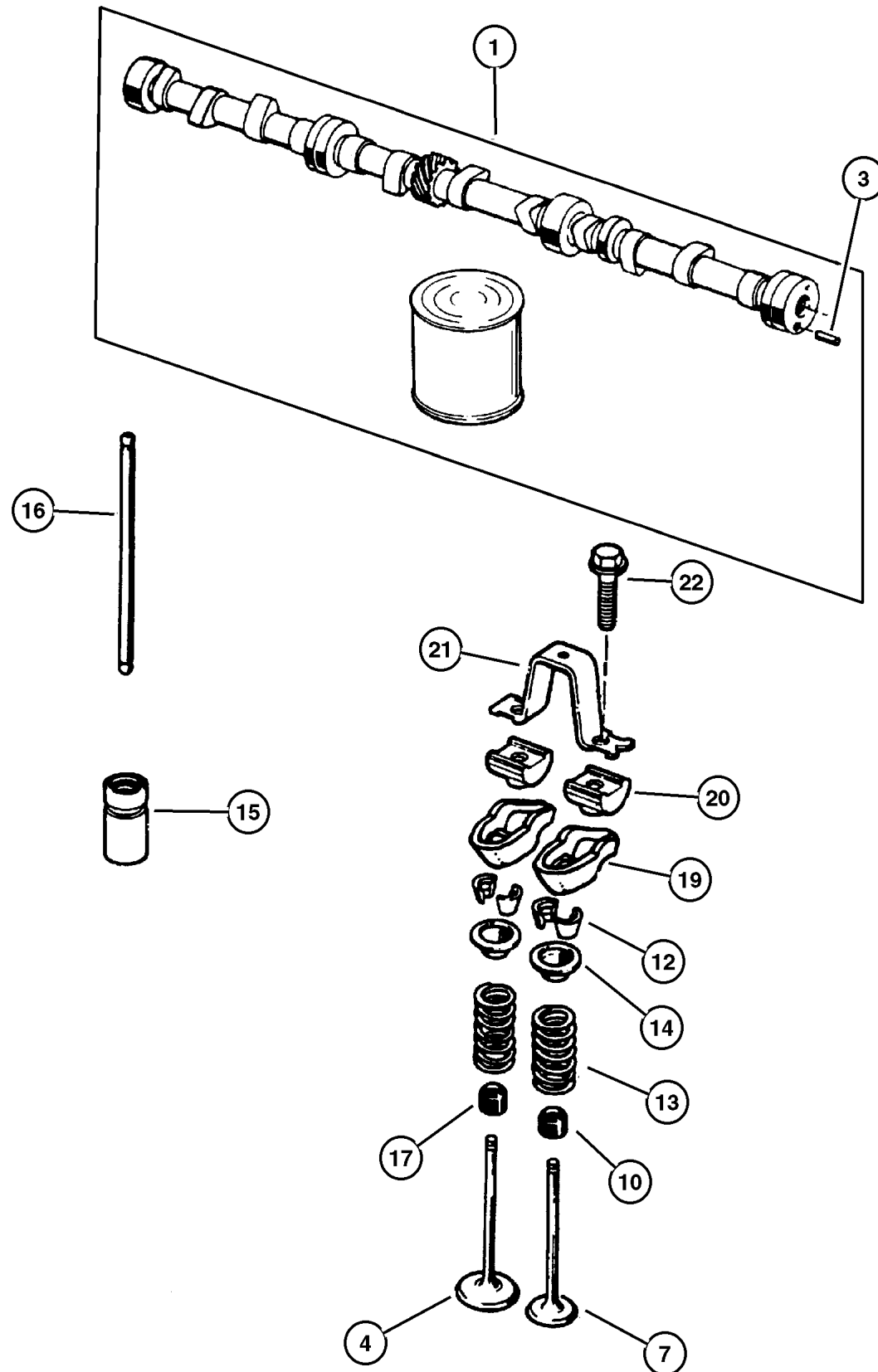
JEEP WRANGLER (TJ)

SERIES	LINE	BODY	ENGINE	TRANSMISSION
L=Low Line	J = Wrangler 4WD U = Wrangler 4WD (RHD)	77 = 93.4 WB	EPE, EP0 = 2.5L Power Tech ERH, ER0 = 4.0L Power Tech	DGG, DGD = 32RH 3 Spd. Auto. DDQ = 5 Spd. Manual DG0 = All Auto. Trans. DBB =All Manual Trans.

AR = Use as required - = Non illustrated part # = New this model year

June 7, 2002

Camshaft and Valves 4.0L (ERH) Engine Figure 4.0L-510



ITEM	PART NUMBER	QTY	LINE	ENGINE	TRANS	DESCRIPTION
Note; EP0= All 2.5L Engines ER0= All 4.0L Engines						
1						CAMSHAFT, Engine (NOT REQUIRED), 1999 TJ 1997 TJ, 1998 TJ
	5302 0438	1		ER0		
-2						CAMSHAFT (NOT REQUIRED), 1997 TJ, 1998 TJ 1999 TJ
	#53010 448AA	1		ER0		
3						DOWEL, Camshaft Sprocket (NOT REQUIRED), 1999 TJ
	J045 6384	1		ER0		
4						VALVE, Intake, Standard 1997 TJ, 1998 TJ
	3300 3515	6		ER0		
	53010 512AA	6		ER0		1999 TJ
-5						VALVE, Intake, .003" O/S (NOT REQUIRED), 1999 TJ 1997 TJ, 1998 TJ
	3300 3519	AR		EP0, ER0		
-6						VALVE, Intake, .015" O/S (NOT REQUIRED), 1999 TJ 1997 TJ, 1998 TJ
	3300 3575	AR		EP0, ER0		
7						VALVE, Exhaust, Standard 1997 TJ, 1998 TJ
	4637 537	6		ER0		
	53010 513AA	6		ER0		1999 TJ
-8						VALVE, Exhaust, .003" O/S (NOT REQUIRED), 1999 TJ 1997 TJ, 1998 TJ
	4637 539	AR		EP0, ER0		
-9						VALVE, Exhaust, .015 Oversize (NOT REQUIRED), 1999 TJ 1997 TJ, 1998 TJ
	4637 538	AR		EP0, ER0		
10	5300 9887	6		ER0		SEAL, Valve Guide
-11	3300 2733	AR		EP0, ER0		SEAL, Valve Guide, .015" Oversize
12						LOCK, Valve Spring Retainer
	3300 3521	24		ER0		1997 TJ, 1998 TJ
	53010 515AA	24		ER0		1999 TJ
13						SPRING, Valve
	5301 0388	12		ER0		1998 TJ, 1999 TJ
	5302 0556	12		ER0		1997 TJ
14						RETAINER, Valve Spring

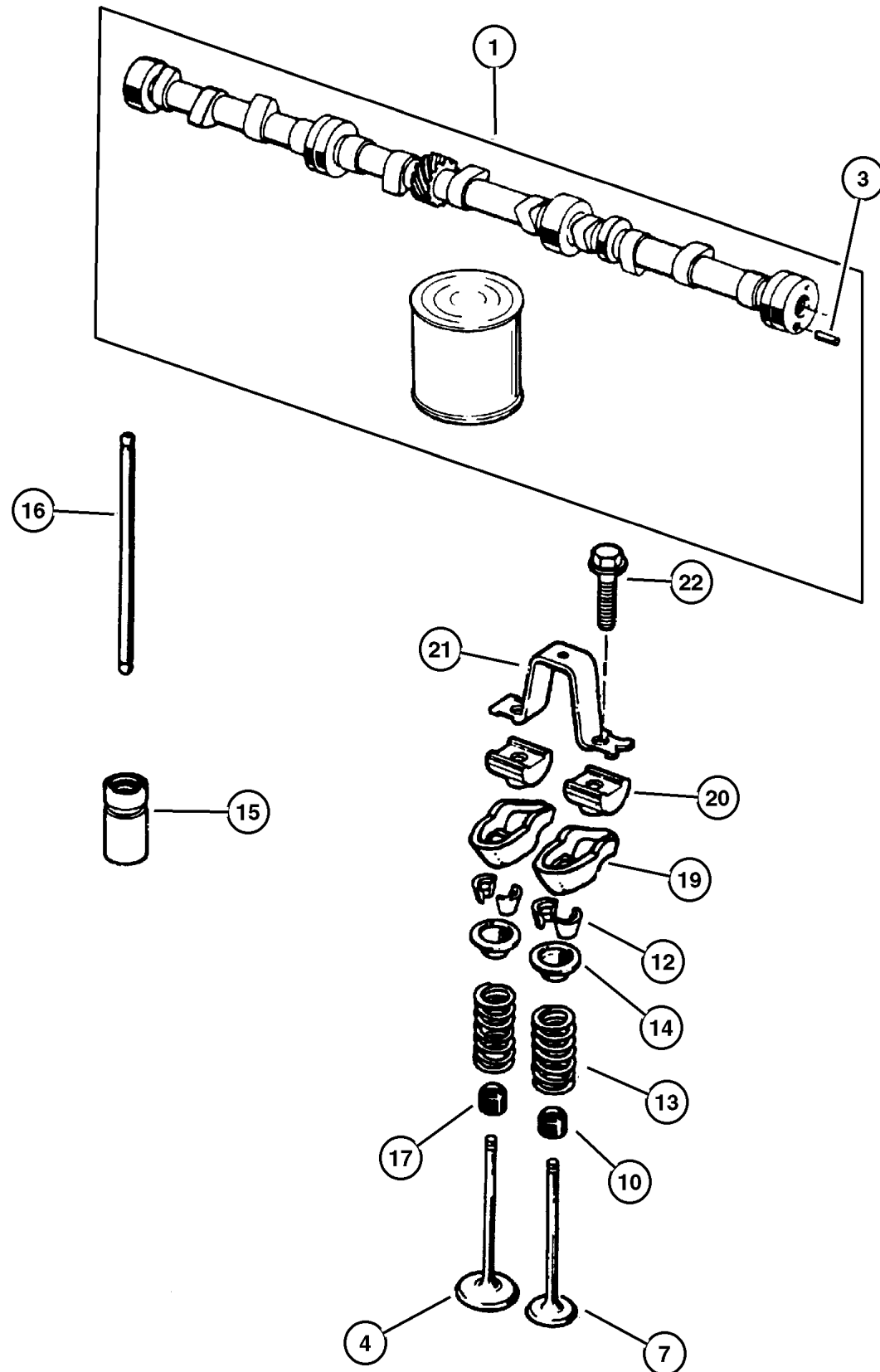
JEEP WRANGLER (TJ)

SERIES	LINE	BODY	ENGINE	TRANSMISSION
L=Low Line	J = Wrangler 4WD U = Wrangler 4WD (RHD)	77 = 93.4 WB	EPE, EP0 = 2.5L Power Tech ERH, ER0 = 4.0L Power Tech	DGG, DGD = 32RH 3 Spd. Auto. DDQ = 5 Spd. Manual DG0 = All Auto. Trans. DBB =All Manual Trans.

AR = Use as required - = Non illustrated part # = New this model year

June 7, 2002

**Camshaft and Valves 4.0L (ERH) Engine
Figure 4.0L-510**



ITEM	PART NUMBER	QTY	LINE	ENGINE	TRANS	DESCRIPTION
	3300 4626	12		ER0		1997 TJ, 1998 TJ
	53010 514AA	12		ER0		1999 TJ
15	4740 269	12		ER0		TAPPET, Valve
16	3300 2986	12		ER0		PUSH ROD, Valve
17	5300 9886	6		ER0		SEAL, Valve Guide
-18	3300 3016	AR		EP0, ER0		SEAL, Valve Guide, .015" Oversize
19	J324 2393	12		ER0		ROCKER ARM, Valve
20	J323 5090	12		ER0		PIVOT, Rocker Arm
21	J323 6513	6		ER0		BRIDGE, Rocker Arm
22	J942 5708	12		ER0		BOLT, Hex Flange Head, .312-18x1.25

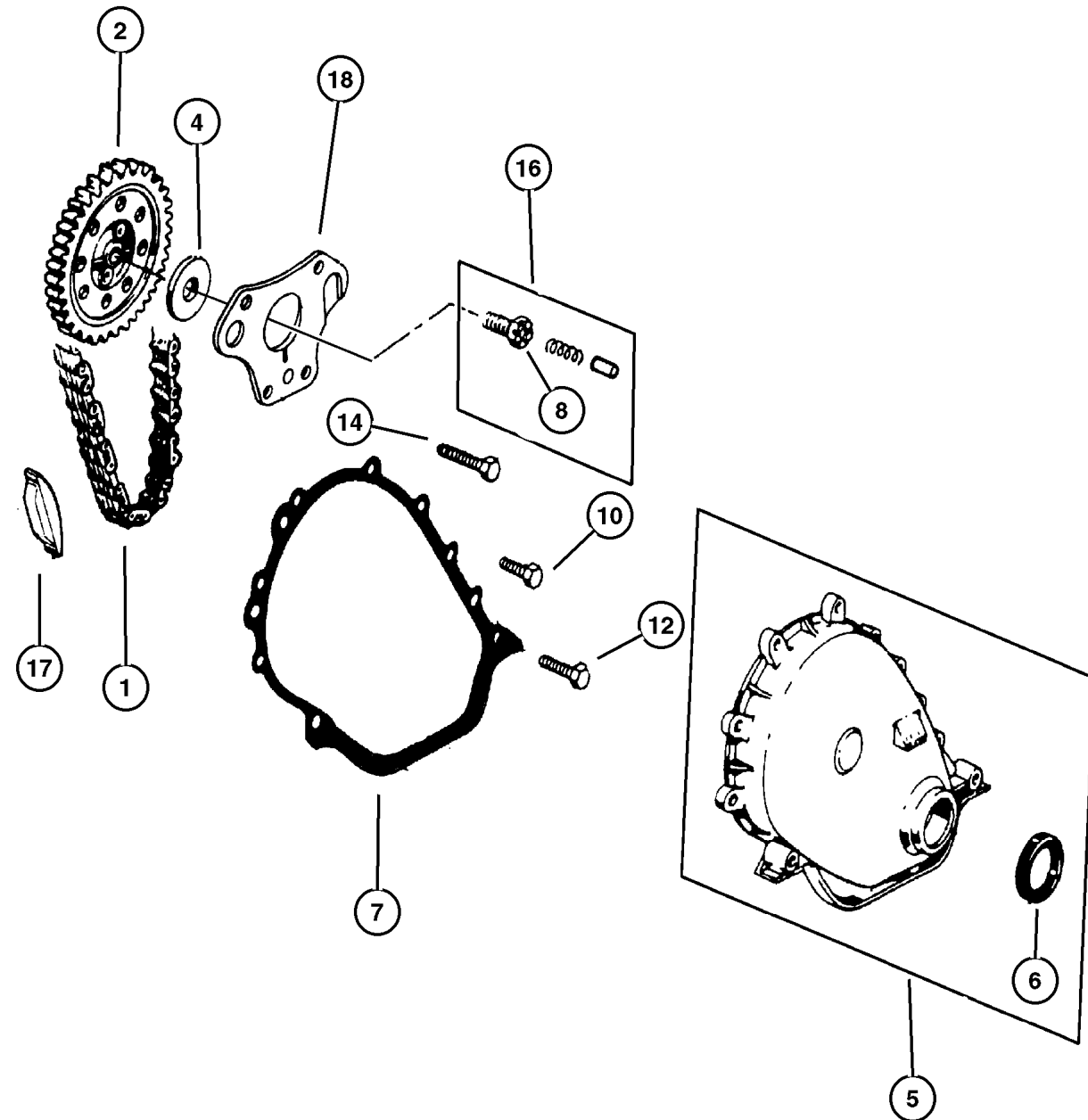
JEEP WRANGLER (TJ)

SERIES	LINE	BODY	ENGINE	TRANSMISSION
L=Low Line	J = Wrangler 4WD U = Wrangler 4WD (RHD)	77 = 93.4 WB	EPE, EP0 = 2.5L Power Tech ERH, ER0 = 4.0L Power Tech	DGG, DGD = 32RH 3 Spd. Auto. DDQ = 5 Spd. Manual DG0 = All Auto. Trans. DBB =All Manual Trans.

AR = Use as required - = Non illustrated part # = New this model year

June 7, 2002

Timing Cover 4.0L (ERH) Engine 1997 TJ
Figure 4.0L-610



ITEM	PART NUMBER	QTY	LINE	ENGINE	TRANS	DESCRIPTION
------	-------------	-----	------	--------	-------	-------------

Note; EP0= All 2.5L Engines

ER0= All 4.0L Engines

1	5302 0444	1		ER0		CHAIN, Timing
2	5302 0445	1		ER0		GEAR, Camshaft
-3						SPROCKET, Camshaft, (NOT REQUIRED)
4	J317 3284	1		EP0, ER0		WASHER, Flat, .206 Diameter
5	5302 0222	1		EP0, ER0		COVER, Timing Belt
6	3300 4681	1		EP0, ER0		SEAL, Front Main Crankshaft
7	5302 0487	1		EP0, ER0		GASKET, Front Cover
8	J324 3156	1		EP0		BOLT, Hex Flange Head, .50-20x1.38
-9						SCREW AND WASHER, Hex, (NOT REQUIRED)
10	J400 6906	5		EP0, ER0		BOLT, Hex Head, .25-20x.75
-11						BOLT, Hex, (NOT REQUIRED)
12	6034 914	1		EP0, ER0		BOLT, Hex Flange Head, .250-20x1.24
-13						SCREW, (NOT REQUIRED)
14	6034 604	2		EP0, ER0		BOLT, Hex Head Shoulder, .312-18x1.56
-15						SCREW, (NOT REQUIRED)
16	8350 2890	1		ER0		PIN PACKAGE, Camshaft Thrust
17	3300 3446	1		EP0, ER0		SNUBBER, Timing Chain
18						PLATE, Camshaft Thrust, (NOT REQUIRED)

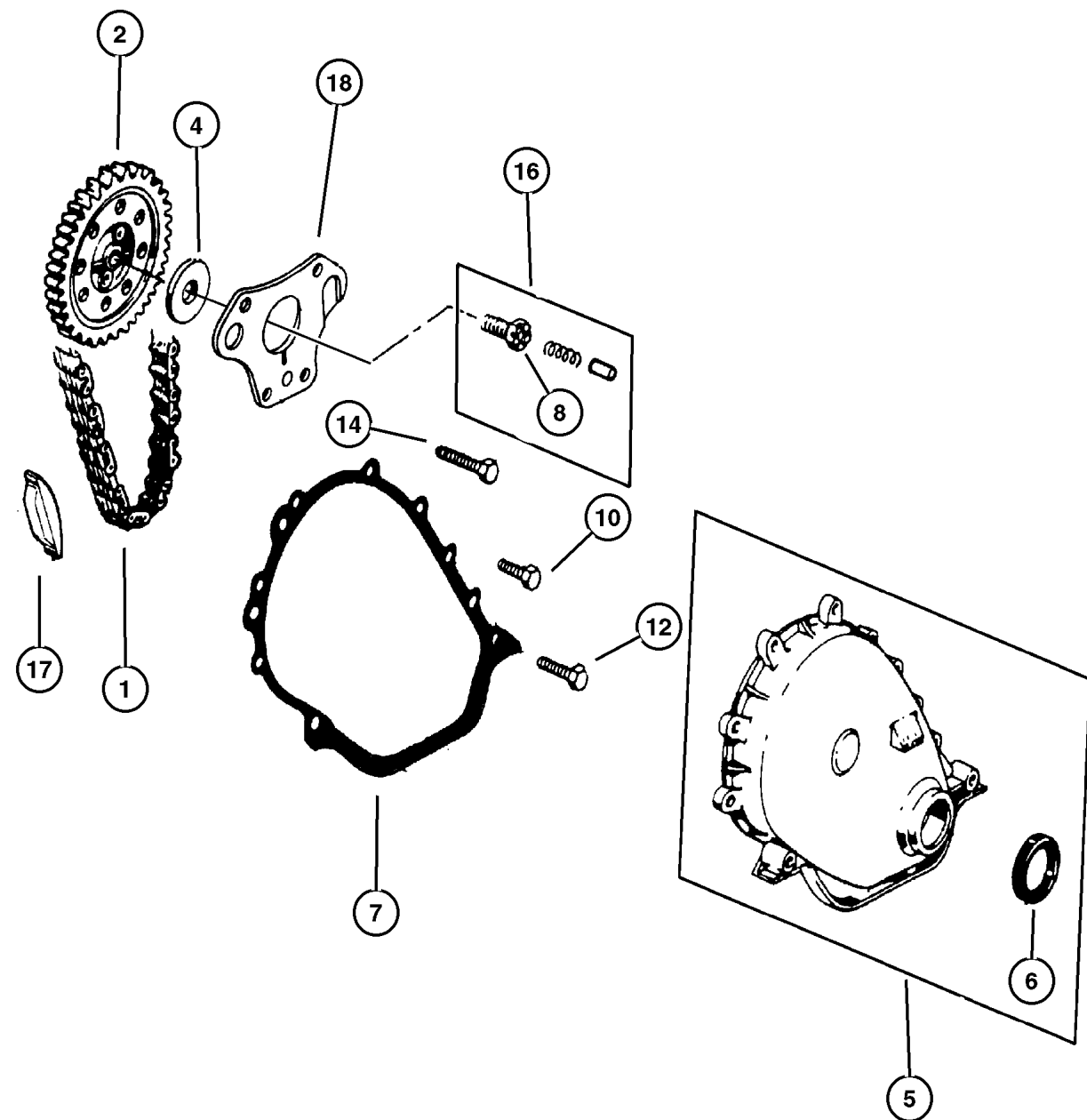
JEEP WRANGLER (TJ)

SERIES	LINE	BODY	ENGINE	TRANSMISSION
L=Low Line	J = Wrangler 4WD U = Wrangler 4WD (RHD)	77 = 93.4 WB	EPE, EP0 = 2.5L Power Tech ERH, ER0 = 4.0L Power Tech	DGG, DGD = 32RH 3 Spd. Auto. DDQ = 5 Spd. Manual DG0 = All Auto. Trans. DBB =All Manual Trans.

AR = Use as required - = Non illustrated part # = New this model year

June 7, 2002

Timing Cover 4.0L (ERH) Engine 1998 TJ
Figure 4.0L-610



ITEM	PART NUMBER	QTY	LINE	ENGINE	TRANS	DESCRIPTION
Note; EP0= All 2.5L Engines						
ER0= All 4.0L Engines						
1	5302 0444	1		ER0		CHAIN, Timing
2	5302 0445	1		ER0		GEAR, Camshaft
-3						SPROCKET, Camshaft, (NOT REQUIRED)
4	J317 3284	1		EP0, ER0		WASHER, Flat, .206 Diameter
5	5302 0222	1		EP0, ER0		COVER, Timing Belt
6	3300 4681	1		EP0, ER0		SEAL, Front Main Crankshaft
7	5302 0487	1		EP0, ER0		GASKET, Front Cover
8	J324 3156	1		EP0		BOLT, Hex Flange Head, .50-20x1.38
-9						SCREW AND WASHER, Hex, (NOT REQUIRED)
10	J400 6906	5		EP0, ER0		BOLT, Hex Head, .25-20x.75
-11						BOLT, Hex, (NOT REQUIRED)
12	6034 914	1		EP0, ER0		BOLT, Hex Flange Head, .250-20x1.24
-13						SCREW, (NOT REQUIRED)
14	6034 604	2		EP0, ER0		BOLT, Hex Head Shoulder, .312-18x1.56
-15						SCREW, (NOT REQUIRED)
16	8350 2890	1		ER0		PIN PACKAGE, Camshaft Thrust
17	3300 3446	1		EP0, ER0		SNUBBER, Timing Chain
18						PLATE, Camshaft Thrust, (NOT REQUIRED)

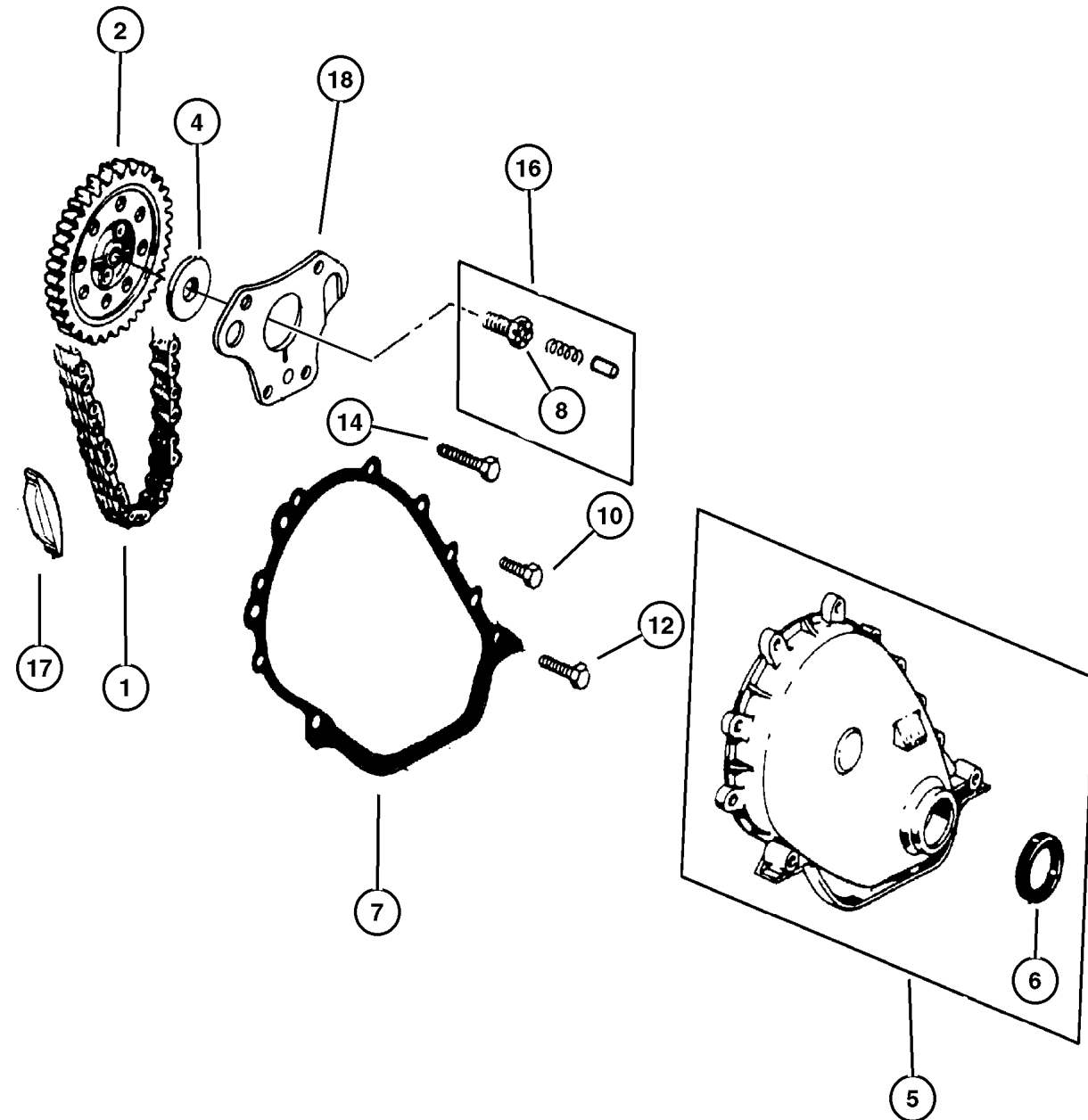
JEEP WRANGLER (TJ)

SERIES	LINE	BODY	ENGINE	TRANSMISSION
L=Low Line	J = Wrangler 4WD U = Wrangler 4WD (RHD)	77 = 93.4 WB	EPE, EP0 = 2.5L Power Tech ERH, ER0 = 4.0L Power Tech	DGG, DGD = 32RH 3 Spd. Auto. DDQ = 5 Spd. Manual DG0 = All Auto. Trans. DBB =All Manual Trans.

AR = Use as required - = Non illustrated part # = New this model year

June 7, 2002

Timing Cover 4.0L (ERH) Engine 1999 TJ
Figure 4.0L-610



ITEM	PART NUMBER	QTY	LINE	ENGINE	TRANS	DESCRIPTION
Note; EP0= All 2.5L Engines						
ER0= All 4.0L Engines						
1	5302 0444	1		ER0		CHAIN, Timing
2						GEAR, Camshaft, (NOT REQUIRED)
-3	#5301 0400	1		ER0		SPROCKET, Camshaft
4						WASHER, Flat, .206 Diameter, (NOT REQUIRED)
5	5302 0222	1		EP0, ER0		COVER, Timing Belt
6	3300 4681	1		EP0, ER0		SEAL, Front Main Crankshaft
7	5302 0487	1		EP0, ER0		GASKET, Front Cover
8						BOLT, Hex Flange Head, .50-20x1.38, (NOT REQUIRED)
-9	#6024 030	1		ER0		SCREW AND WASHER, Hex
10						BOLT, Hex Head, .25-20x.75, (NOT REQUIRED)
-11	#6035 893	5		EP0, ER0		BOLT, Hex
12						BOLT, Hex Flange Head, .250-20x1.24, (NOT REQUIRED)
-13	#6035 895	1		EP0, ER0		SCREW
14						BOLT, Hex Head Shoulder, .312-18x1.56, (NOT REQUIRED)
-15	#6035 894	2		EP0, ER0		SCREW
16						PIN PACKAGE, Camshaft Thrust, (NOT REQUIRED)
17	3300 3446	1		EP0, ER0		SNUBBER, Timing Chain
18	#5301 0401	1		ER0		PLATE, Camshaft Thrust
-19	#6035 975AA	2		ER0		SCREW, Pan Head

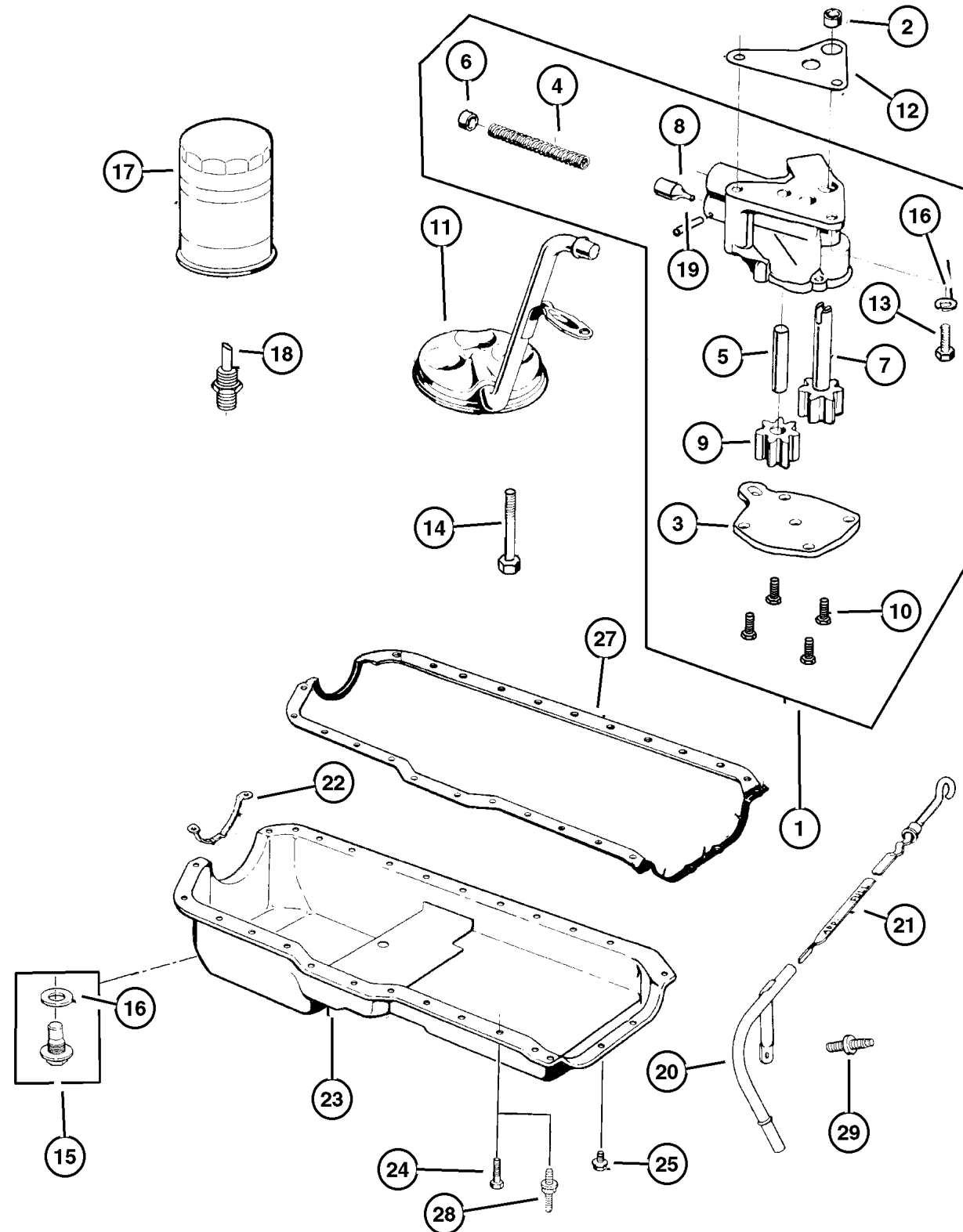
JEEP WRANGLER (TJ)

SERIES	LINE	BODY	ENGINE	TRANSMISSION
L=Low Line	J = Wrangler 4WD U = Wrangler 4WD (RHD)	77 = 93.4 WB	EPE, EP0 = 2.5L Power Tech ERH, ER0 = 4.0L Power Tech	DGG, DGD = 32RH 3 Spd. Auto. DDQ = 5 Spd. Manual DG0 = All Auto. Trans. DBB =All Manual Trans.

AR = Use as required - = Non illustrated part # = New this model year

June 7, 2002

**Engine Oiling 4.0L (ERH) Engine
Figure 4.0L-710**



ITEM	PART NUMBER	QTY	LINE	ENGINE	TRANS	DESCRIPTION
Note; EP0= All 2.5L Engines						
ER0= All 4.0L Engines						
1	J324 1399	1		ER0		PUMP, Engine Oil
2	J400 5149	1		ER0		DOWEL, Oil Pump 1997 TJ
		1		EP0,		1998 TJ, 1999 TJ
3	J324 1733	1		ER0		COVER, Engine Oil Pump
4	J323 9668	1		ER0		SPRING, Oil Pressure Relief Valve
5	J317 1956	1		ER0		SHAFT, Oil Pump
6	J317 1958	1		ER0		RETAINER, Oil Release Valve
7	J317 2334	1		ER0		GEAR, Oil Pump
8	J318 8661	1		ER0		PLUNGER, Oil Pressure Relief Valve
9	J319 6843	1		ER0		GEAR, Oil Pump Driven
10	J941 6852	4		ER0		SCREW, Hex Flange Head, .25-20x.50
11	3300 2696	1		ER0		TUBE, Oil Pump Inlet
12	J317 2332	1		EP0,		GASKET, Oil Pump
				ER0		
13	6022 235	1		EP0,		BOLT AND WASHER, Hex Head, .312-18x1.00
				ER0		
14	0154 593	1		EP0,		SCREW, Hex Head Coned, .312-18x2.625
				ER0		
15	6035 417	1		ER0		PLUG, Oil Drain
16						GASKET, Oil Drain Plug, Serviced in Plug, (NOT SERVICED)
17	5281 090	1		EP0,		FILTER, Engine Oil
				ER0		
18	5300 7563	1		EP0,		CONNECTOR, Oil Filter
				ER0		
19	J027 1448	1		ER0		PIN, Roll, 5/32" x 1.00"
20	5302 0782	1		ER0		TUBE, Oil Filler
21	5301 0445	1		ER0		INDICATOR, Engine Oil Level
22						SUPPORT, Engine Oil Pan
	#53010 511AA	1		ER0		1999 TJ
	J324 3116	1		ER0		1997 TJ, 1998 TJ
23						PAN, Engine Oil
	5302 0833	1		ER0		1997 TJ
	53020 833AB	1		ER0		1998 TJ, 1999 TJ
24	6034 732	16		ER0		SCREW AND WASHER, Hex Head, .25-20x.545
25	6034 483	3		ER0		SCREW, Hex Head Coned, .312-18x.875
26	6034 733	1		ER0		STUD, .312-18/.250-20x1.680
27	5300 7568	1		ER0		GASKET, Oil Pan
28	6034 734	8		ER0		BOLT, Double Stud Hex, .250-20x1.437 & .250-20 x.700
29						STUD, .312-18x1.560

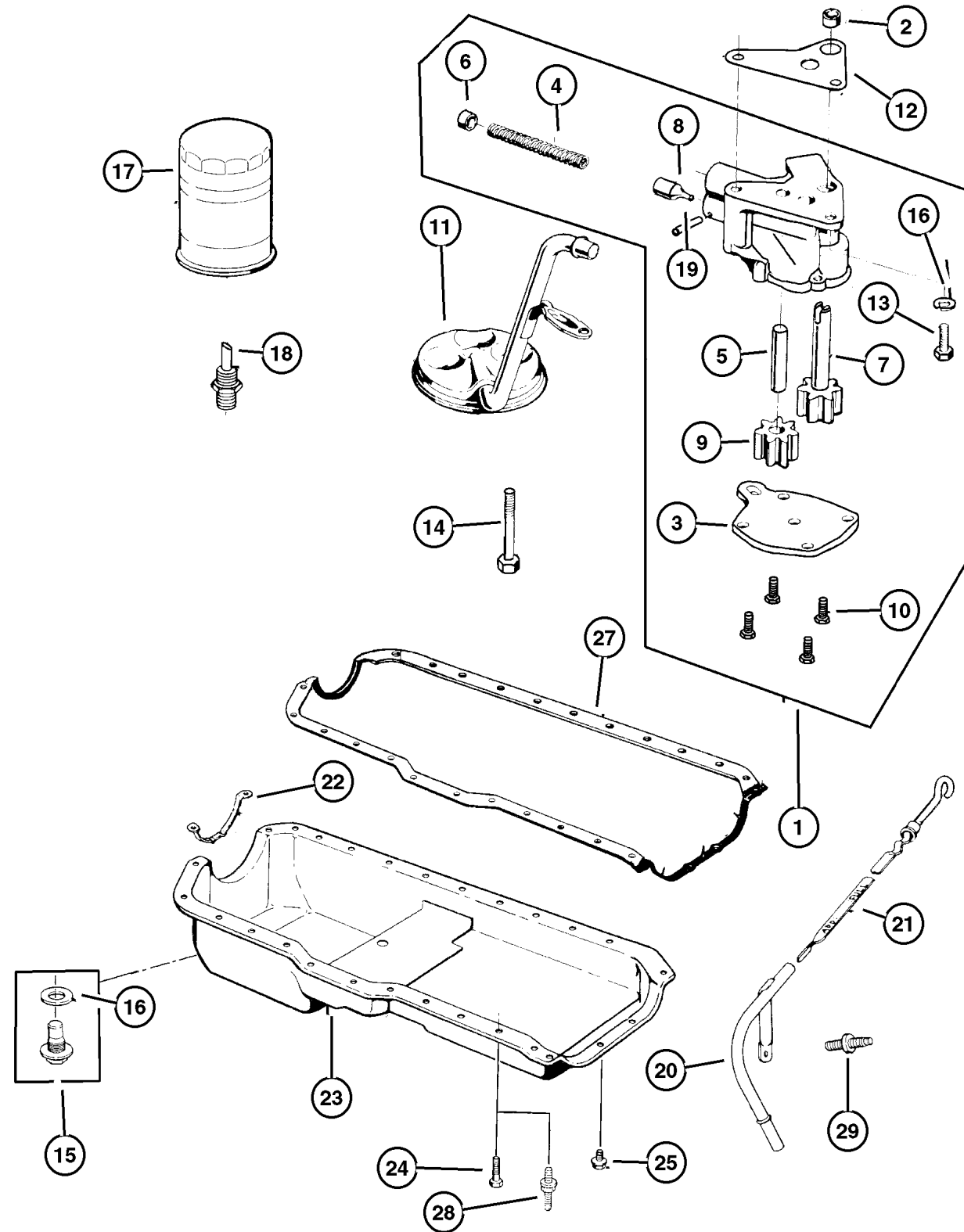
JEEP WRANGLER (TJ)

SERIES	LINE	BODY	ENGINE	TRANSMISSION
L=Low Line	J = Wrangler 4WD U = Wrangler 4WD (RHD)	77 = 93.4 WB	EPE, EP0 = 2.5L Power Tech ERH, ER0 = 4.0L Power Tech	DGG, DGD = 32RH 3 Spd. Auto. DDQ = 5 Spd. Manual DGO = All Auto. Trans. DBB =All Manual Trans.

AR = Use as required - = Non illustrated part # = New this model year

June 7, 2002

Engine Oiling 4.0L (ERH) Engine
Figure 4.0L-710



ITEM	PART NUMBER	QTY	LINE	ENGINE	TRANS	DESCRIPTION
------	-------------	-----	------	--------	-------	-------------

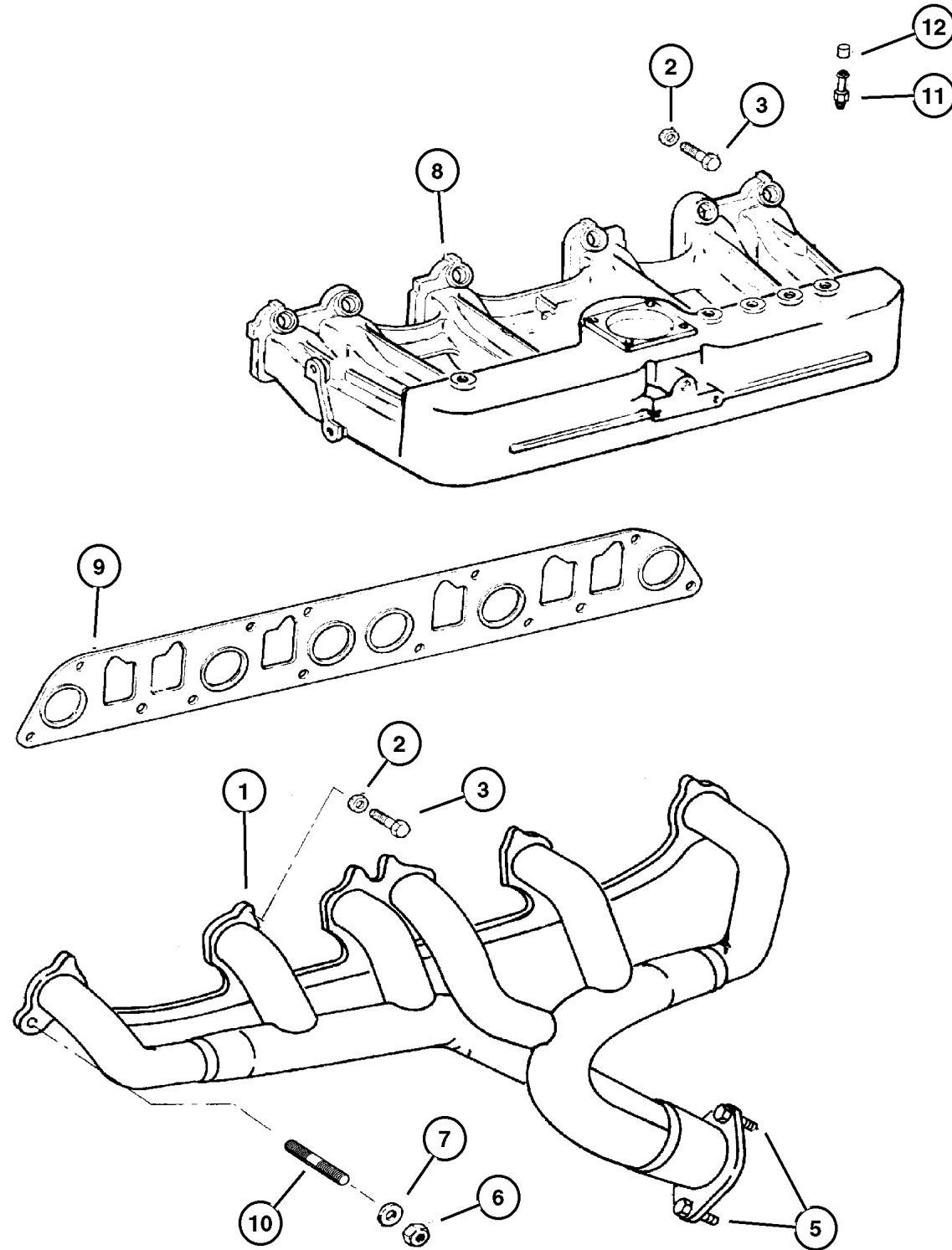
	6035 664	1		ER0	1997 TJ	
		1		EP0, ER0	1998 TJ, 1999 TJ	

JEEP WRANGLER (TJ)		BODY	ENGINE	TRANSMISSION
SERIES	LINE	77 = 93.4 WB	EPE, EP0 = 2.5L Power Tech ERH, ER0 = 4.0L Power Tech	DGG, DGD = 32RH 3 Spd. Auto. DDQ = 5 Spd. Manual DG0 = All Auto. Trans. DBB = All Manual Trans.
L=Low Line	J = Wrangler 4WD U = Wrangler 4WD (RHD)			

AR = Use as required - = Non illustrated part # = New this model year

June 7, 2002

**Manifold, Intake and Exhaust 4.0L (ERH) Engine
Figure 4.0L-810**



ITEM	PART NUMBER	QTY	LINE	ENGINE	TRANS	DESCRIPTION
Note; EP0= All 2.5L Engines						
ER0= All 4.0L Engines						
1	4883 385	1		ER0		MANIFOLD, Exhaust
2						WASHER, Manifold Retaining
	3300 4255	11		ER0		1997 TJ, 1998 TJ
		2		ER0		1999 TJ
3						BOLT, Hex Head, .375-16x1.25
						(NOT REQUIRED), 1999 TJ
	J018 6622	8		ER0		1997 TJ, 1998 TJ
-4						BOLT AND RETAINER, Hex Head
						(NOT REQUIRED), 1997 TJ, 1998 TJ
	#6036 045AA	8		ER0		1999 TJ
5	J400 7109	2		ER0		STUD, .375-16x1.69
6	6034 984	2		EP0, ER0		NUT, Hex Flange Lock, .375-24
7						WASHER, Manifold Retaining
	3300 4255	11		ER0		1997 TJ, 1998 TJ
		2		ER0		1999 TJ
8						MANIFOLD, Intake
	#4854 197AA	1		ER0		1999 TJ
	5301 0237	1		ER0		1997 TJ, 1998 TJ
9	5301 0238	1		ER0		GASKET, Intake/Exhaust Manifold
10						STUD, .375-16/.375-24x1.75
	#6036 193AA	2		EP0, ER0		1999 TJ
	5301 0165	2		EP0, ER0		1997 TJ, 1998 TJ
11						FITTING, Vacuum, 90 Degree
						(NOT REQUIRED), 1999 TJ
	5303 0756	1		ER0		1997 TJ, 1998 TJ
12						PLUG, Pipe
						(NOT REQUIRED), 1998 TJ, 1999 TJ
	0444 654	1		ER0		1997 TJ

JEEP WRANGLER (TJ)

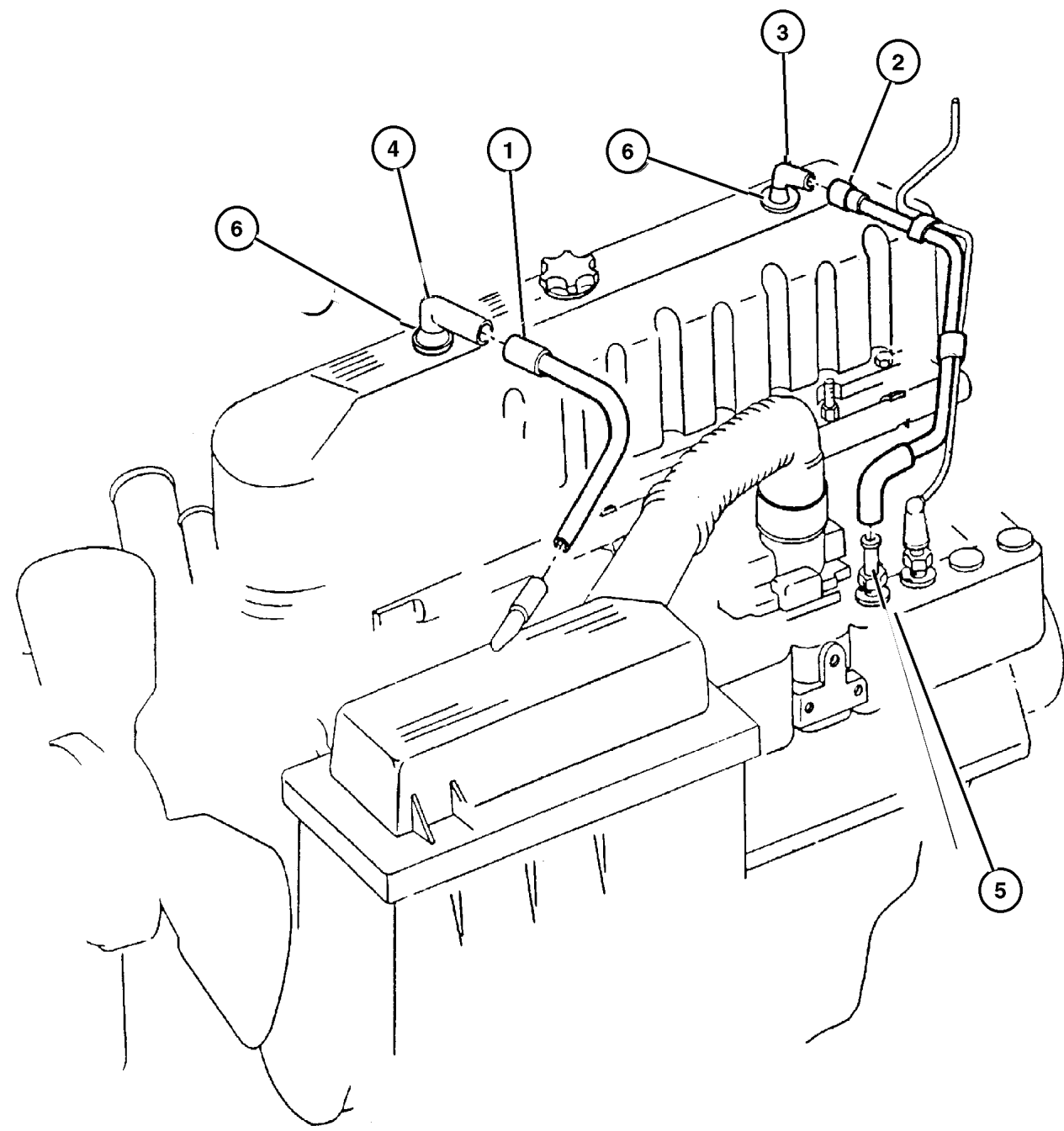
SERIES	LINE	BODY	ENGINE	TRANSMISSION
L=Low Line	J = Wrangler 4WD U = Wrangler 4WD (RHD)	77 = 93.4 WB	EPE, EP0 = 2.5L Power Tech ERH, ER0 = 4.0L Power Tech	DGG, DGD = 32RH 3 Spd. Auto. DDQ = 5 Spd. Manual DGO = All Auto. Trans. DBB =All Manual Trans.

AR = Use as required - = Non illustrated part # = New this model year

June 7, 2002

**Crankcase Ventilation 4.0L (ERH) Engine
Figure 4.0L-910**

ITEM	PART NUMBER	QTY	LINE	ENGINE	TRANS	DESCRIPTION
Note; EP0= All 2.5L Engines						
ER0= All 4.0L Engines						
1	5303 0615	1		ER0		TUBE, Crankcase Vent Valve
2	4854 265	1		ER0		TUBE, Crankcase Vent To Intake Manifold
3	5303 0495	1		ER0		TUBE, Crankcase Vent To Air Cleaner
4	5303 0497	1		EP0, ER0		FITTING, Crankcase Vent Tube
5	4854 194	1		ER0		FITTING, Vacuum
6	2946 079	1		EP0		GROMMET, Crankcase Vent



JEEP WRANGLER (TJ)				
SERIES	LINE	BODY	ENGINE	TRANSMISSION
L=Low Line	J = Wrangler 4WD U = Wrangler 4WD (RHD)	77 = 93.4 WB	EPE, EP0 = 2.5L Power Tech ERH, ER0 = 4.0L Power Tech	DGG, DGD = 32RH 3 Spd. Auto. DDQ = 5 Spd. Manual DG0 = All Auto. Trans. DBB =All Manual Trans.

AR = Use as required - = Non illustrated part # = New this model year

June 7, 2002

Group – 011

Exhaust

GROUP 11 - Exhaust

Illustration Title

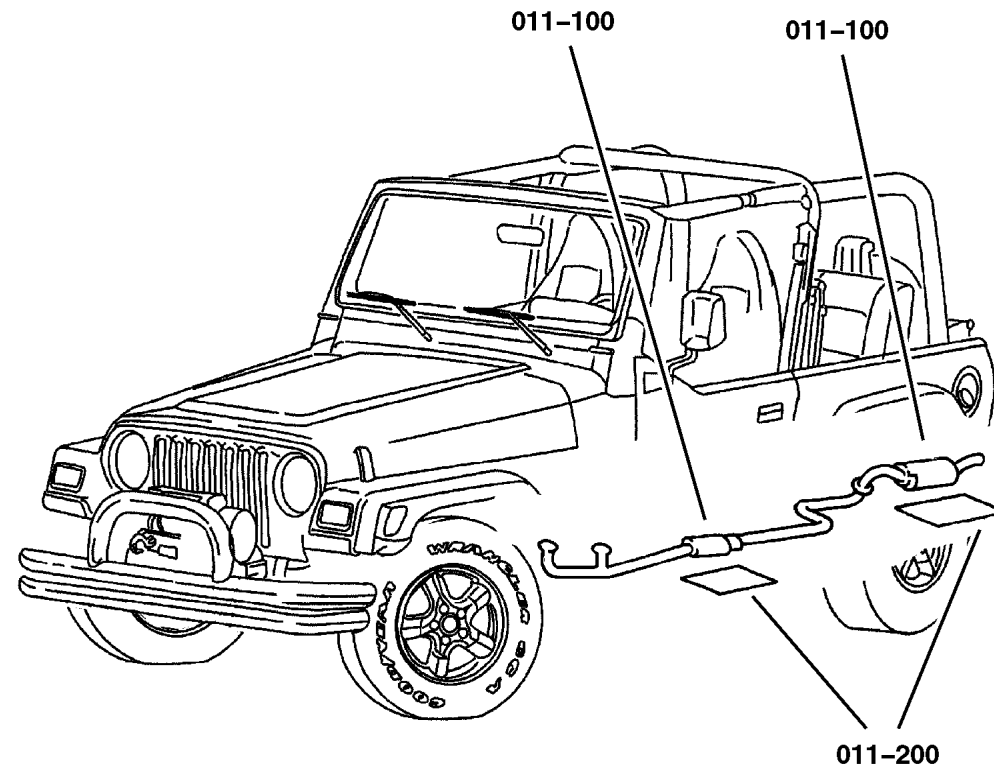
Group-Fig. No.

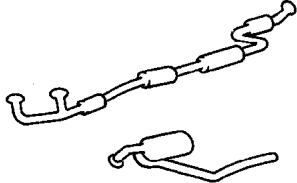
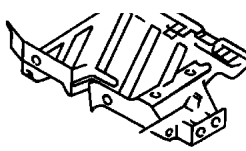
Exhaust System

Exhaust System 2.5L (EPE), 4.0L (ERH) Engine Fig. 011-110

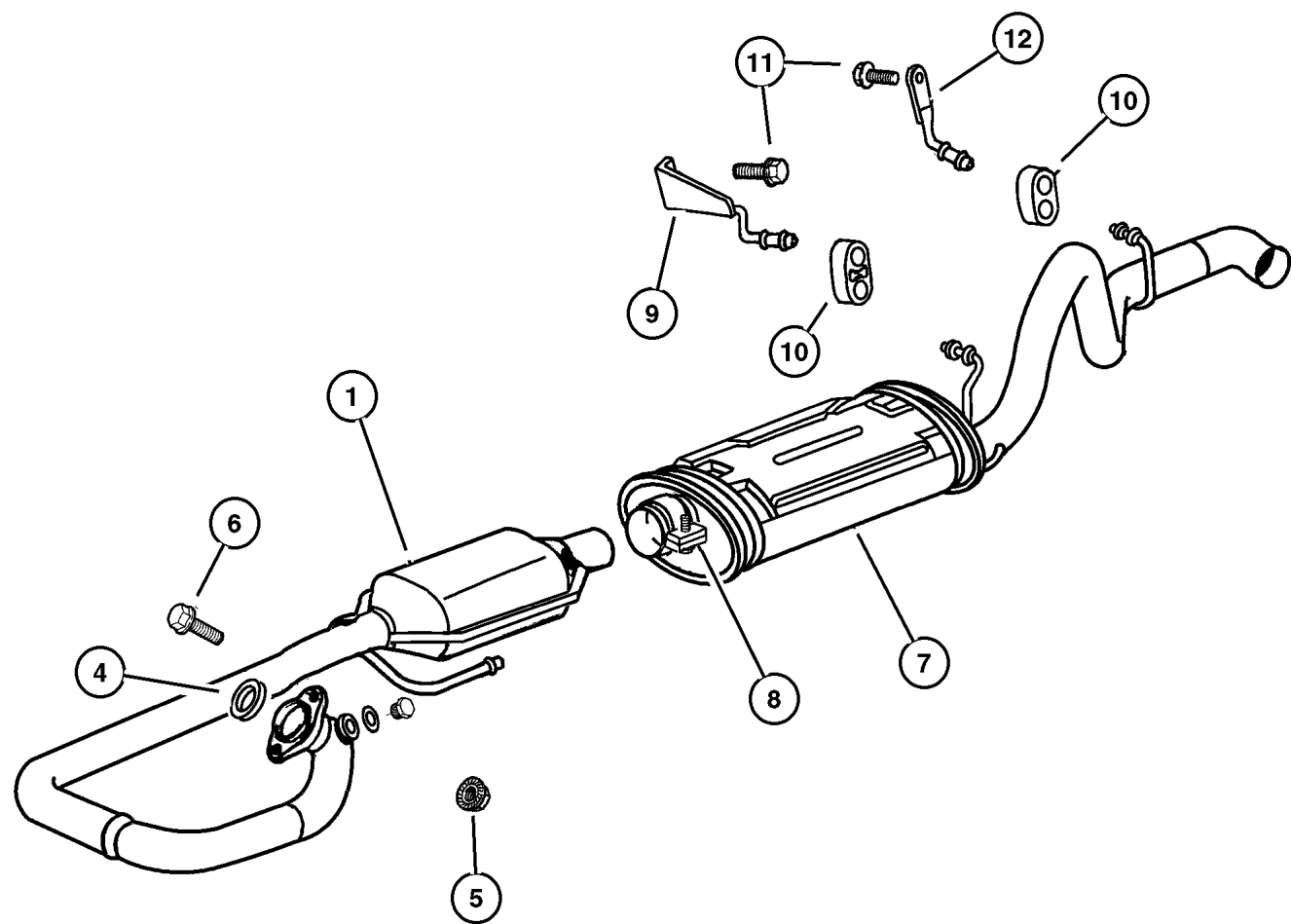
Heat Shields

Heat Shields 2.5L (EPE), 4.0(ERH) Engine Fig. 011-210



<p>011-100 Exhaust System</p> 	<p>011-200 Heat Shields</p> 		
--	--	--	--

Exhaust System 2.5L (EPE), 4.0L (ERH) Engine Figure 011-110



ITEM	PART NUMBER	QTY	LINE	SERIES	BODY	ENGINE	TRANS	DESCRIPTION
Note; DBB= All Manual Transmissions DG0= All Automatic Transmissions EP0= All 2.5L Engines ER0= All 4.0L Engines								
1								PIPE, Exhaust
	5202 0050	1				EP0		(NOT REQUIRED), 1999 TJ Leaded Gas, Mandatory (MIDDLE EAST PACKAGE), 1998 TJ, Mandatory (MIDDLE EAST PACKAGE)
	5201 8933	1				EP0	DBB, DG0	Federal, Canada, California, Europe, 1997 TJ, 1998 TJ
	5201 8934	1				ER0	DBB, DG0	Federal, Canada, 1997 TJ
	5202 0050	1	J		77	EP0	DBB	Leaded Gas, Mandatory (MIDDLE EAST), 1997 TJ, Mandatory (MIDDLE EAST)
		1	U		77	EP0	DBB	Leaded Gas, Mandatory (MIDDLE EAST), 1997 TJ, Mandatory (MIDDLE EAST)
	5202 0064	1				ER0	DBB, DG0	California, 1997 TJ
	5202 1000	1	J		77	ER0		Leaded Gas, Mandatory (MIDDLE EAST), 1997 TJ, Mandatory (MIDDLE EAST)
		1	U		77	ER0		Leaded Gas, Mandatory (MIDDLE EAST), 1997 TJ, Mandatory (MIDDLE EAST)
-2								PIPE AND CONVERTER, Exhaust
	5201 8933	1				EP0	DBB, DG0	1997 TJ, 1998 TJ
	#52018 933AC	1				EP0	DBB, DG0	1999 TJ
	52018 934AB	1				ER0	DBB, DG0	Emissions - Federal, 1998 TJ
	52020 064AC	1				ER0	DBB, DG0	Emissions - California, 1998 TJ
-3								CONVERTER, Catalytic
	#52018 933AC	1				EP0	DBB, DG0	(NOT REQUIRED), 1997 TJ, 1998 TJ Federal, Europe, 1999 TJ
	#52101 129AA	1				EP0	DBB, DG0	California, 1999 TJ

JEEP WRANGLER (TJ)

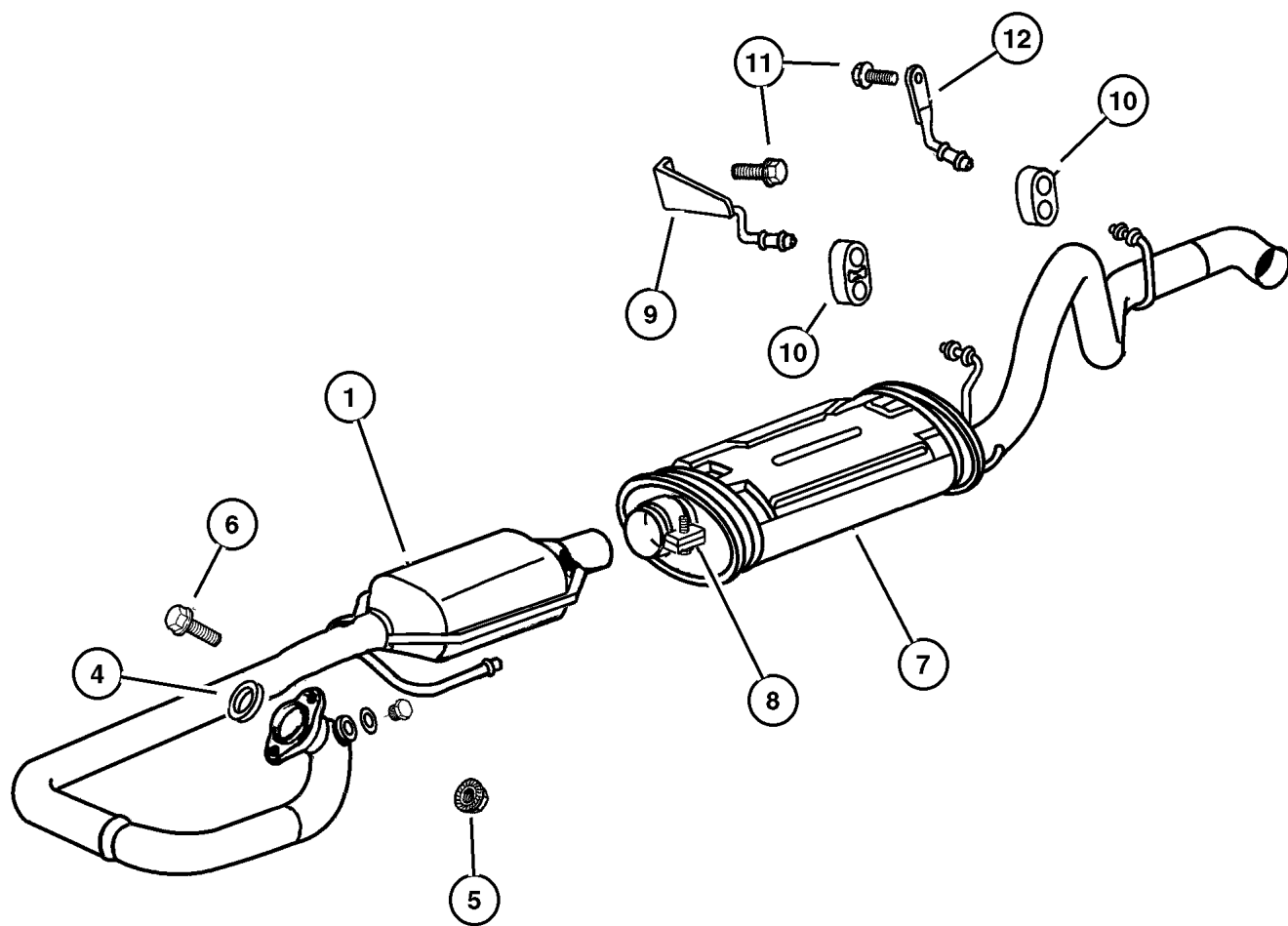
SERIES	LINE	BODY	ENGINE	TRANSMISSION
L=Low Line	J = Wrangler 4WD U = Wrangler 4WD (RHD)	77 = 93.4 WB	EPE, EP0 = 2.5L Power Tech ERH, ER0 = 4.0L Power Tech	DGG, DGD = 32RH 3 Spd. Auto. DDQ = 5 Spd. Manual DG0 = All Auto. Trans. DBB =All Manual Trans.

AR = Use as required - = Non illustrated part # = New this model year

June 7, 2002

**Exhaust System 2.5L (EPE), 4.0L (ERH) Engine
Figure 011-110**

ITEM	PART NUMBER	QTY	LINE	SERIES	BODY	ENGINE	TRANS	DESCRIPTION
	#52018 934AD	1				ER0	DBB, DGO	Federal, 1999 TJ
	#52020 064AE	1				ER0	DBB, DGO	California, 1999 TJ
4	5200 5431	1				ER0		SEAL, Exhaust
5	J400 5142	2				EP0, ER0		NUT, Hex Flange Lock
6	J400 7109	2				EP0		STUD, .375-16x1.69 1997 TJ
7	5201 9241	1				ER0		MUFFLER AND TAILPIPE, Exhaust Except Australia, 1997 TJ, 1998 TJ
	#52019 241AC	1				ER0		Except Australia, 1999 TJ
	52019 241AB	1				ER0		Australia, Mandatory (AUSTRALIA, NEW ZEALAND), 1997 TJ, 1998 TJ, Mandatory (AUSTRALIA, NEW ZEALAND)
	#52019 241AD	1				ER0		Australia, 1999 TJ
	5201 9242	1				EP0		1997 TJ, 1998 TJ
	#52019 242AB	1				EP0		1999 TJ
8	5210 1040	2				ER0		CLAMP, Exhaust 1997 TJ
		1				EP0		1999 TJ
		1				ER0		1999 TJ
9	5201 9408	1						HANGER, Muffler
10	5210 1035	2						INSULATOR, Exhaust
11	J400 1933	4						SCREW, Hex Flange Head, .312-x18x. 875
12	5201 9413	1						HANGER, Exhaust



JEEP WRANGLER (TJ)

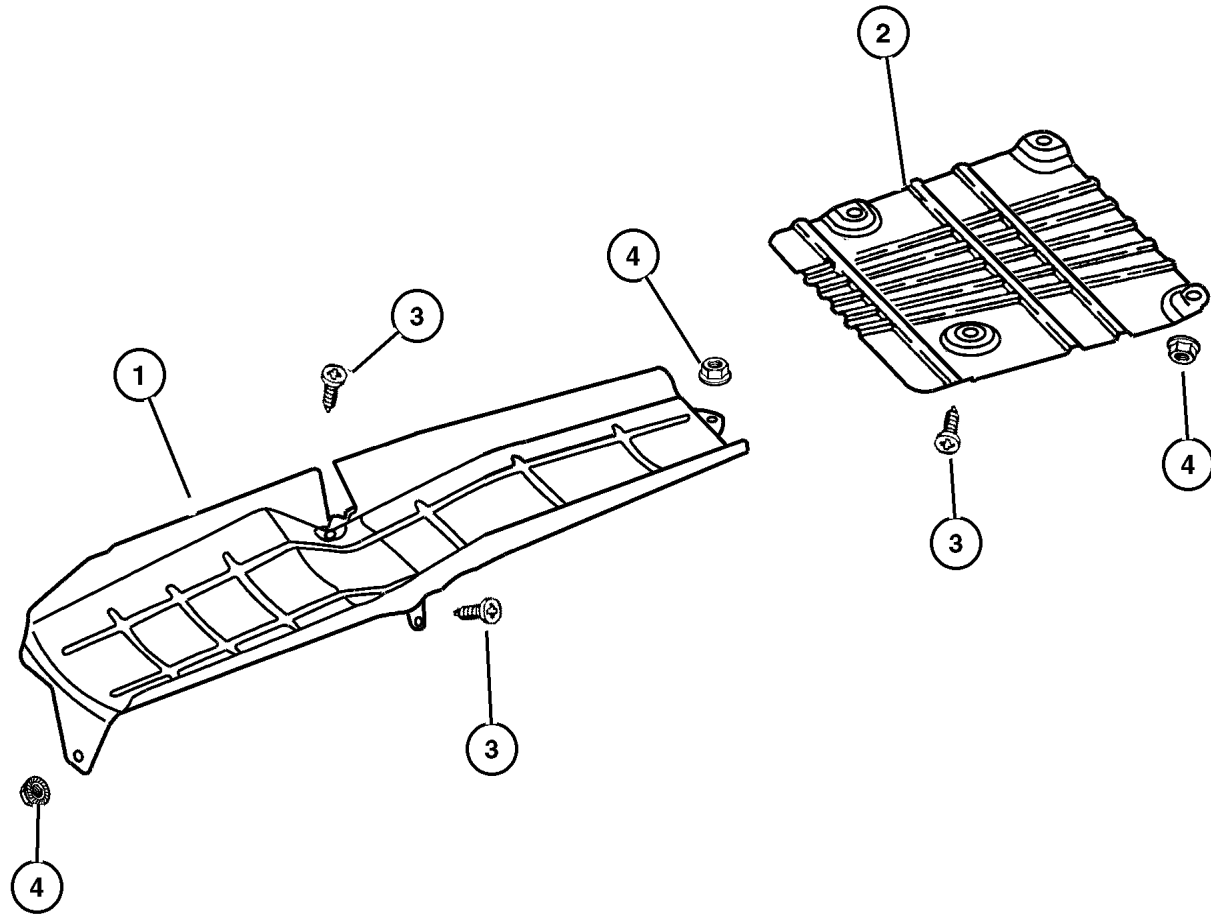
SERIES	LINE	BODY	ENGINE	TRANSMISSION
L=Low Line	J = Wrangler 4WD U = Wrangler 4WD (RHD)	77 = 93.4 WB	EPE, EP0 = 2.5L Power Tech ERH, ER0 = 4.0L Power Tech	DGG, DGD = 32RH 3 Spd. Auto. DDQ = 5 Spd. Manual DGO = All Auto. Trans. DBB =All Manual Trans.

AR = Use as required - = Non illustrated part # = New this model year

June 7, 2002

**Heat Shields 2.5L (EPE), 4.0(ERH) Engine
Figure 011-210**

ITEM	PART NUMBER	QTY	LINE	SERIES	BODY	ENGINE	TRANS	DESCRIPTION
1								SHIELD, Muffler
	55176 694AB	1						1997 TJ, 1998 TJ
	55176 694AD	1						1999 TJ
2								SHIELD, Muffler
	5517 6205	1	J		77			1997 TJ
		1	U		77			1997 TJ
		1						1998 TJ, 1999 TJ
3								SCREW, .250-20x.625, (NOT SERVICED)
4								NUT, Hex, .250-20
	J012 0375	2						1997 TJ, 1998 TJ
		4						1999 TJ



JEEP WRANGLER (TJ)

SERIES	LINE	BODY	ENGINE	TRANSMISSION
L=Low Line	J = Wrangler 4WD U = Wrangler 4WD (RHD)	77 = 93.4 WB	EPE, EP0 = 2.5L Power Tech ERH, ER0 = 4.0L Power Tech	DGG, DGD = 32RH 3 Spd. Auto. DDQ = 5 Spd. Manual DG0 = All Auto. Trans. DBB =All Manual Trans.

AR = Use as required - = Non illustrated part # = New this model year

June 7, 2002

Group – 013

Frames and Bumpers

GROUP 13 - Frames and Bumpers

Illustration Title

Group-Fig. No.

Frames

Frame 1997 TJ Fig. 013-110
 Frame 1998 TJ Fig. 013-110
 Frame 1999 TJ Fig. 013-110

Front Bumper and Fascia

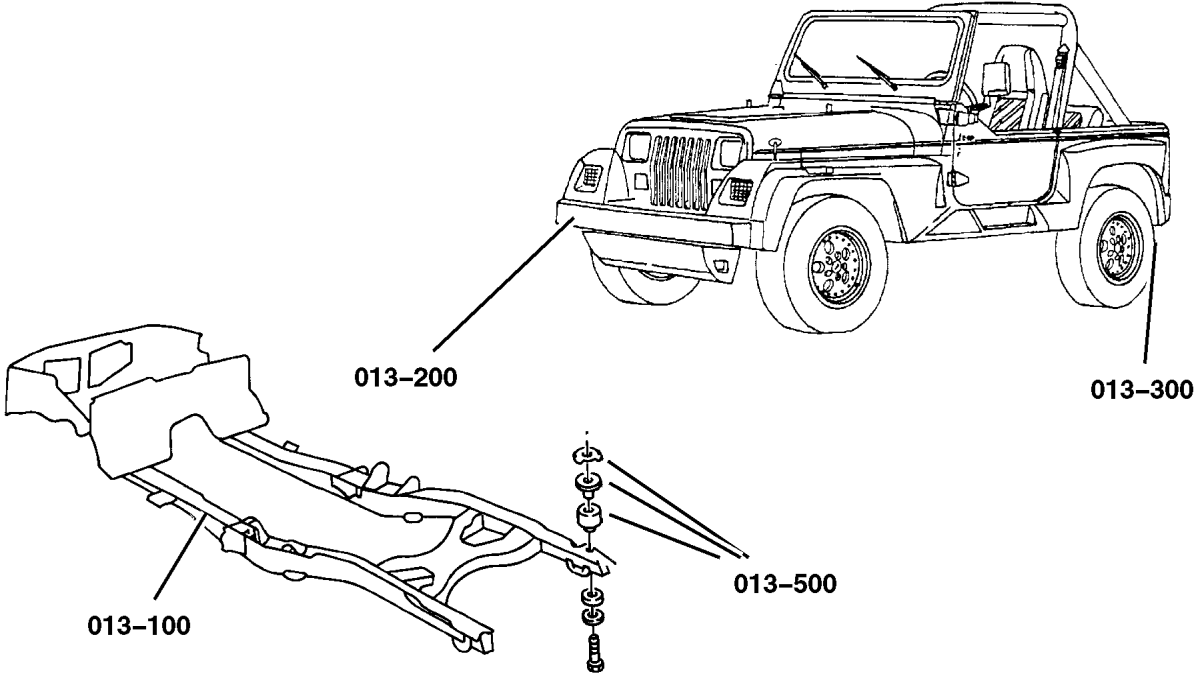
Bumper, Front 1997 TJ Fig. 013-210
 Bumper, Front 1998 TJ 1999 TJ Fig. 013-210

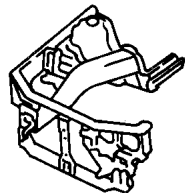
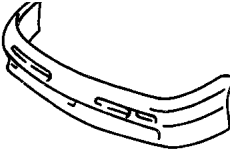


Rear Bumper and Fascia

Bumper, Rear Fig. 013-310

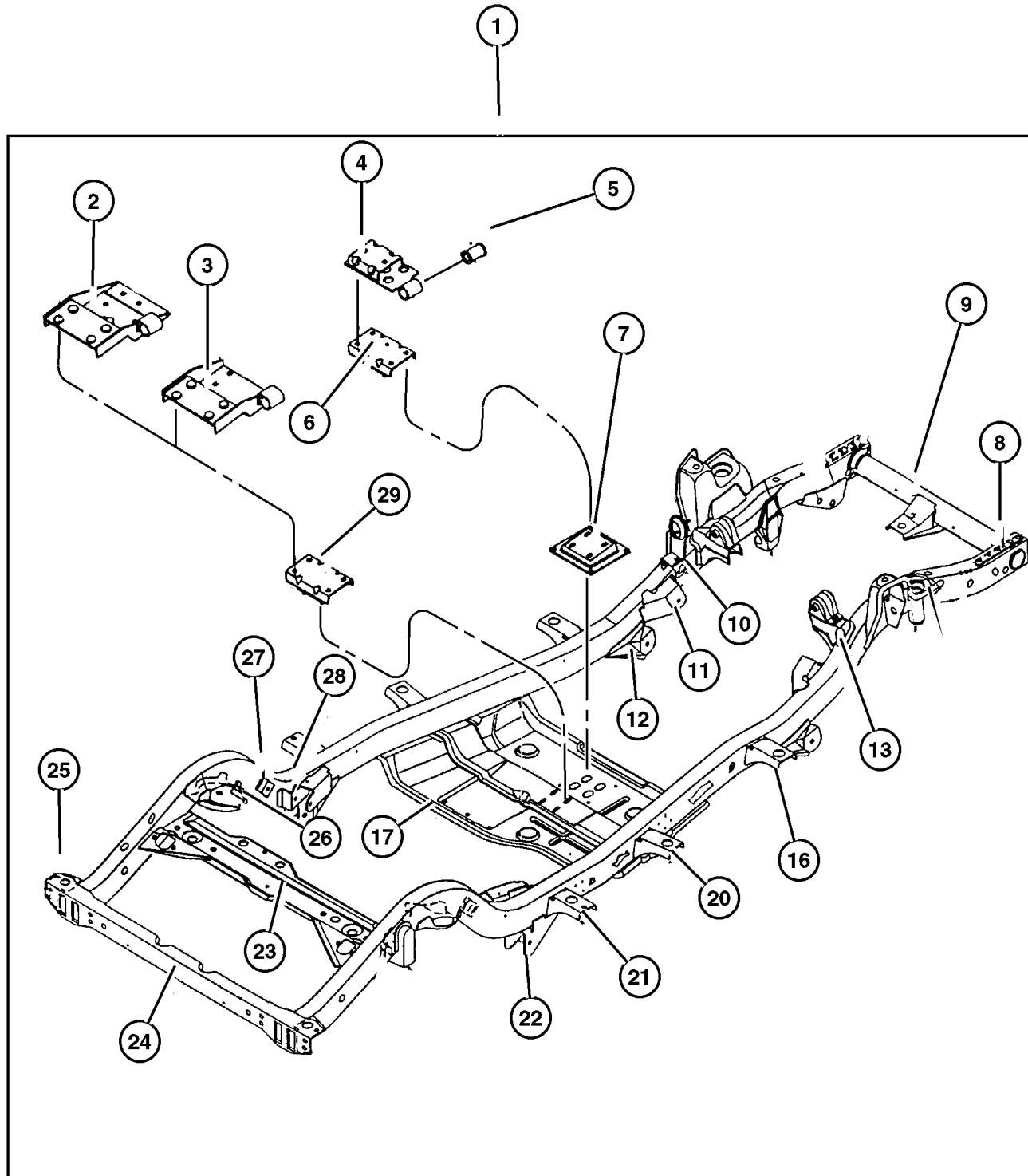
Body Hold Down

Body Mounting Hardware Fig. 013-510



<p>013-100 Frames</p> 	<p>013-200 Front Bumper and Fascia</p> 	<p>013-300 Rear Bumper and Fascia</p> 	<p>013-500 Body Hold Down</p> 
--	---	---	--

Frame 1997 TJ
Figure 013-110



ITEM	PART NUMBER	QTY	LINE	SERIES	BODY	DESCRIPTION
Note: Sales Code EP0 = 2.5L Gas Engine						
Note: Sales Code ER0 = 4.0L Gas Engine						
1						FRAME, Chassis
	5205 8811	1	J		77	w/4.0L Eng.
	5205 8813	1	J		77	w/2.5L Eng.
	5205 8815	1	U		77	w/4.0L Eng.
	5205 8817	1	U		77	w/2.5L Eng.
2	5205 8618	1				BRACKET, Transmission Mount, Trans. Support
3	5205 8546	1				BRACKET, Transmission Mount, Trans. Support
4	5205 8548	1				BRACKET, Transmission Mount, Trans. Support
5	5208 5085	1				BUSHING, Exhaust Hanger
6	5205 8551	1				MOUNT, Transmission, Trans. Support
7	5205 8863	1				BRACKET, Transmission Mount, Trans. Support
8						PLATE, Suspension
	5205 8430	2	U		77	
		2	J		77	
9						CROSSMEMBER, Underbody
	5205 8125	1	U		77	Front
		1	J		77	Front
10						BRACKET, Frame Rail
	5205 8893	1	J		77	Inter. Shaft
	5205 8894	1	U		77	Inter. Shaft
11						BRACKET, Frame Rail
	5205 8160	1	U			Right
		1	J			Right
	5205 8161	1	U			Left
		1	J			Left
12						BRACKET, Frame Rail
	5205 8090	1	U			Right
		1	J			Right
	5205 8091	1	U			Left
		1	J			Left
13						BRACKET, Engine Mount
	5205 8864	1	U		77	Upper, w/4.0L Eng., Right
		1	J		77	Upper, w/4.0L Eng., Right
	5205 8865	1	U		77	Upper, w/4.0L Eng., Left
		1	J		77	Upper, w/4.0L Eng., Left
	5205 8870	1	U		77	Upper, w/2.5L Eng., Right
		1	J		77	Upper, w/2.5L Eng., Right
	5205 8871	1	U		77	Upper, w/2.5L Eng., Left
		1	J		77	Upper, w/2.5L Eng., Left
-14						REINFORCEMENT, Engine Mount
	5205 8846	1	U			Right

JEEP WRANGLER (TJ)

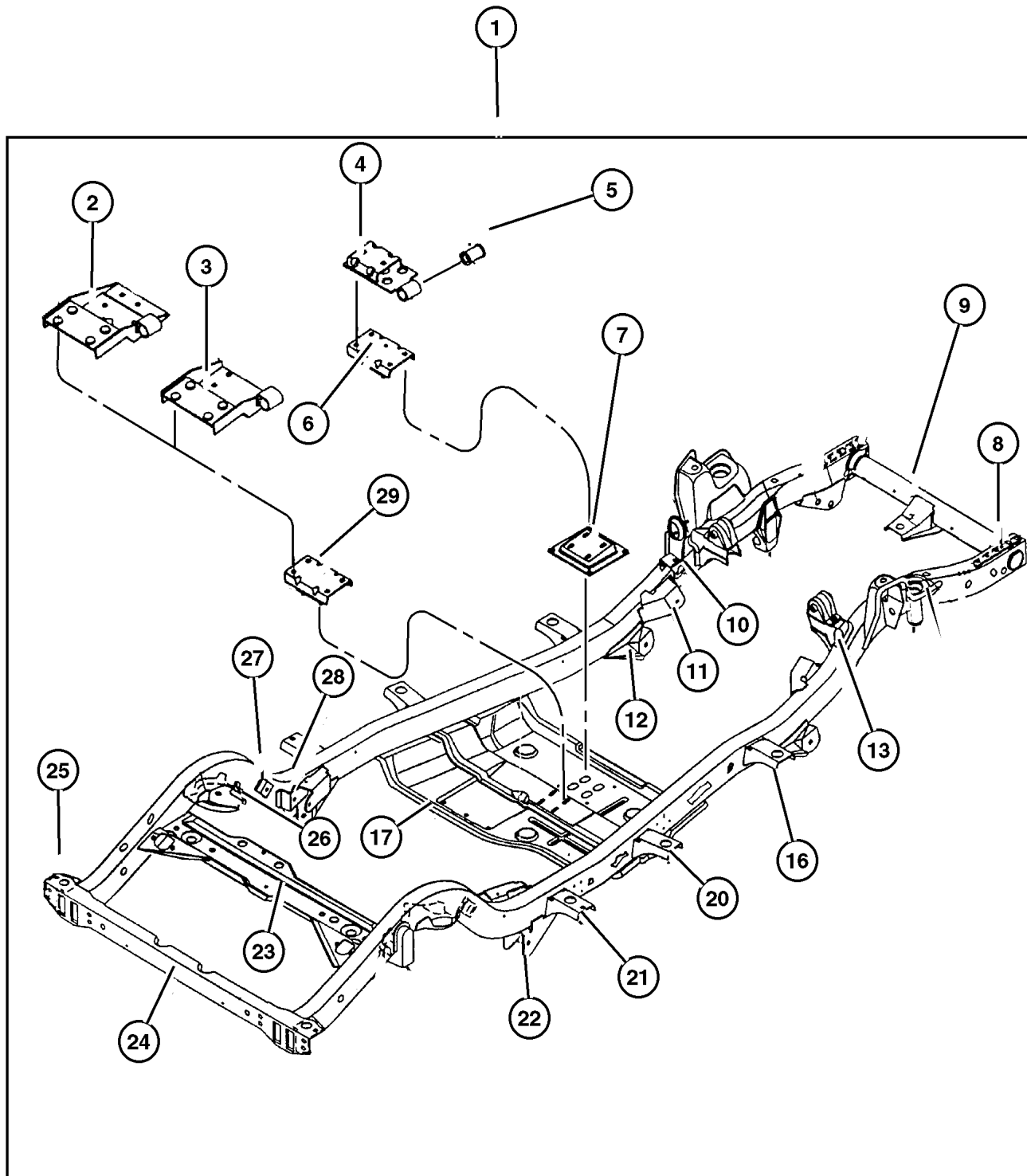
SERIES	LINE	BODY	ENGINE	TRANSMISSION
L=Low Line	J = Wrangler 4WD U = Wrangler 4WD (RHD)	77 = 93.4 WB	EPE, EP0 = 2.5L Power Tech ERH, ER0 = 4.0L Power Tech	DGG, DGD = 32RH 3 Spd. Auto. DDQ = 5 Spd. Manual DG0 = All Auto. Trans. DBB =All Manual Trans.

AR = Use as required - = Non illustrated part # = New this model year

June 7, 2002

Frame 1997 TJ
Figure 013-110

ITEM	PART NUMBER	QTY	LINE	SERIES	BODY	DESCRIPTION
		1	J			Right
	5205 8847	1	U			Left
		1	J			Left
-15						REINFORCEMENT, Engine Mount
	5205 8845	1	U		77	Left
		1	J		77	Left
	5205 8911	1	U		77	Right
16						BRACKET, Frame
	5205 8629	4	U		77	
		4	J		77	
17						CROSSMEMBER, Skid Plate
	5205 8769	1	U			Skid
		1	J			Skid
-18						SCREW, Hex Flange Head
	6035 836	6	U			Skid Plate
		6	J			Skid Plate
-19						NUT
	6035 739	6	U			Skid Plate
		6	J			Skid Plate
20						BRACKET, Frame
	5205 8629	4	U		77	
		4	J		77	
21						BRACKET, Frame
	5205 8639	2	U		77	
		2	J		77	
22						BRACKET, Frame Rail
	5205 8142	1	U		77	Rear Suspension, Right
		1	J		77	Rear Suspension, Right
	5205 8143	1	U		77	Rear Suspension, Left
		1	J		77	Rear Suspension, Left
23						CROSSMEMBER, Intermediate Rear
	5205 8136	1	U		77	Intermediate Rear
		1	J		77	Intermediate Rear
24						CROSSMEMBER, Rear Frame
	5205 8121	1	U		77	
		1	J		77	
25						REINFORCEMENT, Crossmember
	5205 8772	1	U		77	Rear Crossmember, Right
		1	J		77	Rear Crossmember, Right
	5205 8773	1	U		77	Rear Suspension, Left
		1	J		77	Rear Suspension, Left
26						BRACKET, Frame Rail
	5205 8420	1	U		77	Spring Mtg., Right



JEEP WRANGLER (TJ)

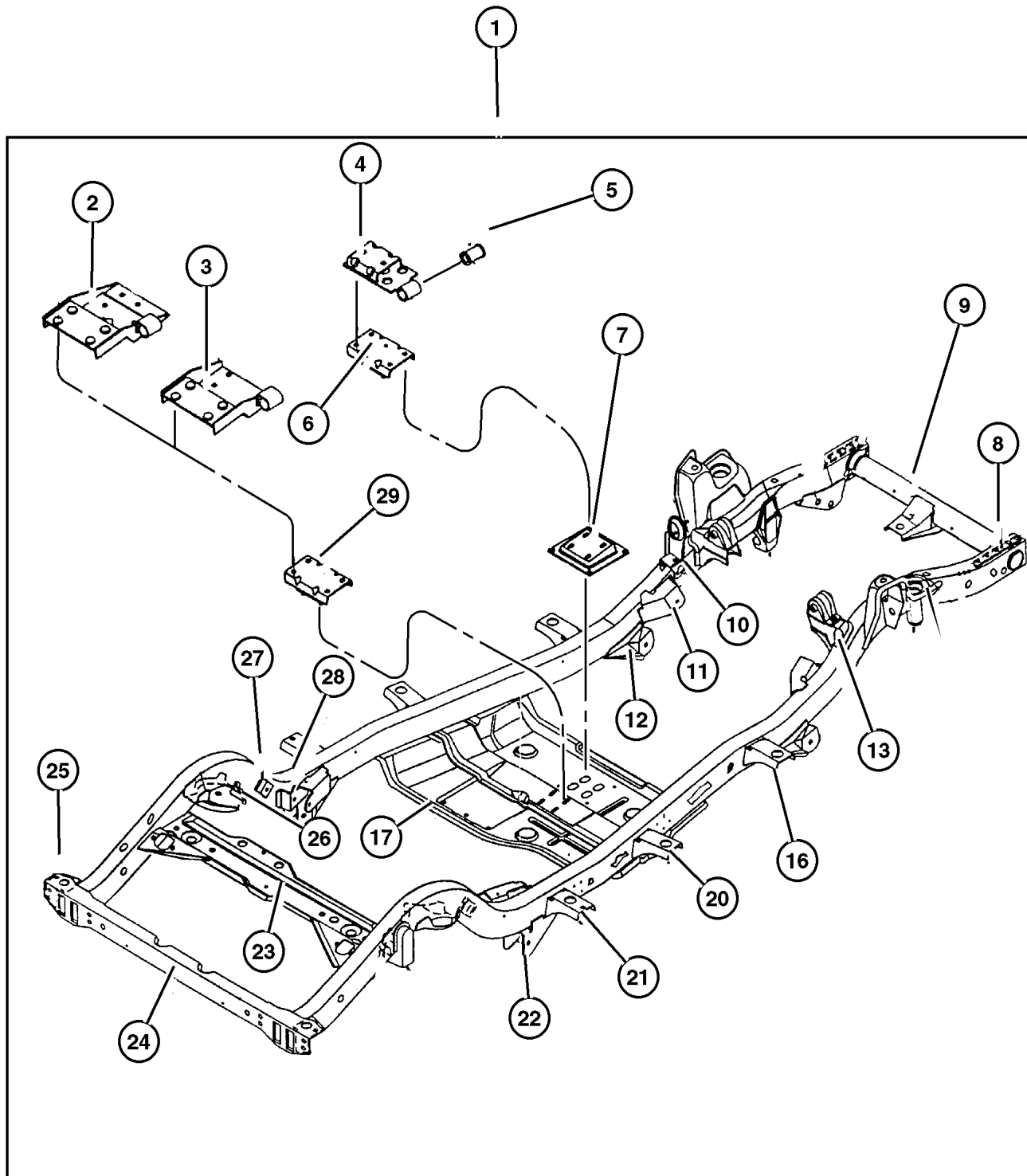
SERIES	LINE	BODY	ENGINE	TRANSMISSION
L=Low Line	J = Wrangler 4WD U = Wrangler 4WD (RHD)	77 = 93.4 WB	EPE, EP0 = 2.5L Power Tech ERH, ER0 = 4.0L Power Tech	DGG, DGD = 32RH 3 Spd. Auto. DDQ = 5 Spd. Manual DGO = All Auto. Trans. DBB =All Manual Trans.

AR = Use as required - = Non illustrated part # = New this model year

June 7, 2002

Frame 1997 TJ
Figure 013-110

ITEM	PART NUMBER	QTY	LINE	SERIES	BODY	DESCRIPTION
		1	J		77	Spring Mtg., Right
	5205 8421	1	U		77	Spring Mtg., Left
		1	J		77	Spring Mtg., Left
27						BRACKET, Stabilizer Bar
	5205 8632	2	U		77	
		2	J		77	
28						BRACKET, Upper Control Arm
	5205 8466	1	U		77	Right
		1	J		77	Right
	5205 8467	1	U		77	Left
		1	J		77	Left
29	5205 8551	1				MOUNT, Transmission, Trans. Support



JEEP WRANGLER (TJ)

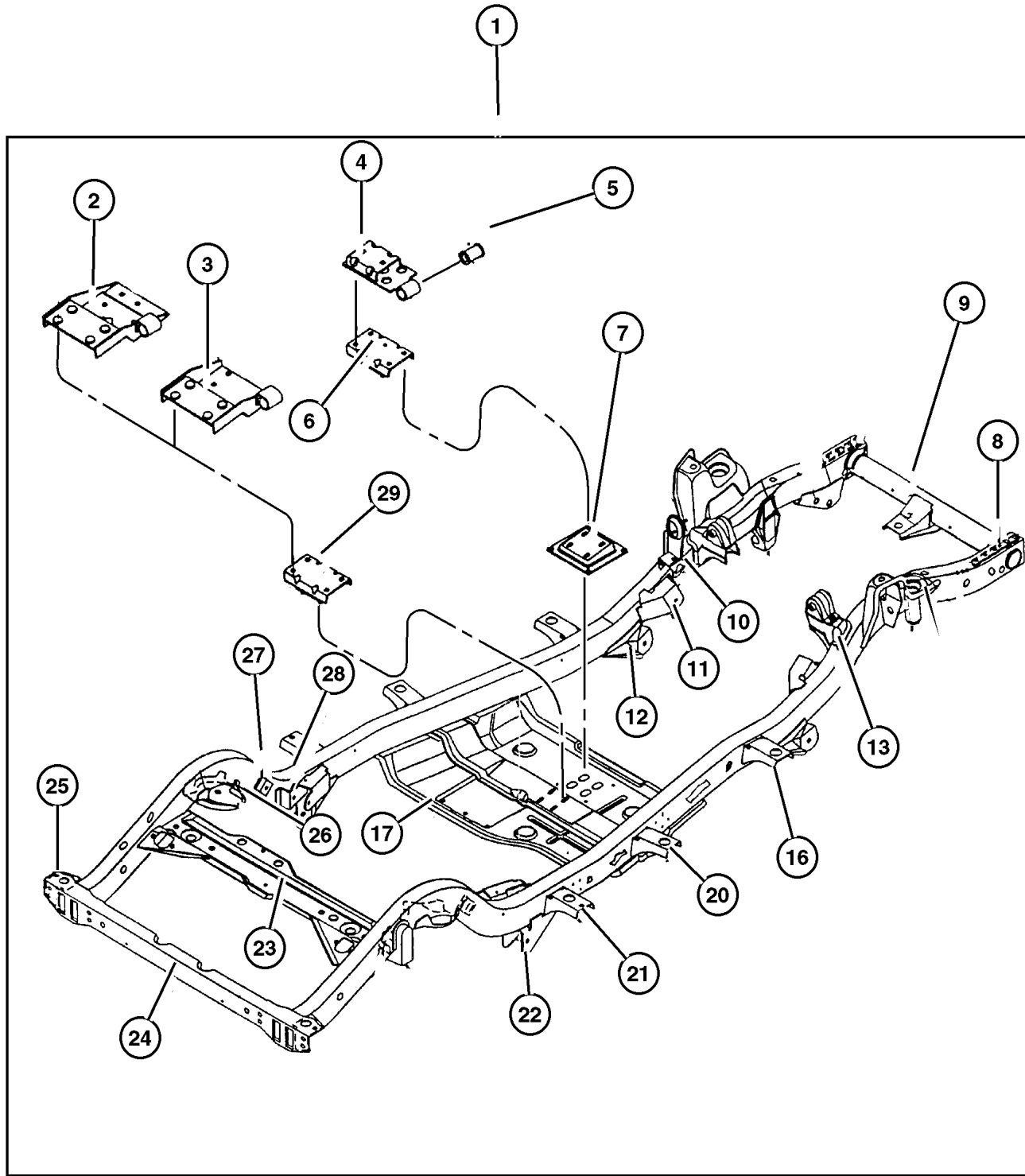
SERIES	LINE	BODY	ENGINE	TRANSMISSION
L=Low Line	J = Wrangler 4WD U = Wrangler 4WD (RHD)	77 = 93.4 WB	EPE, EP0 = 2.5L Power Tech ERH, ER0 = 4.0L Power Tech	DGG, DGD = 32RH 3 Spd. Auto. DDQ = 5 Spd. Manual DG0 = All Auto. Trans. DBB =All Manual Trans.

AR = Use as required - = Non illustrated part # = New this model year

June 7, 2002

Frame 1998 TJ
Figure 013-110

ITEM	PART NUMBER	QTY	LINE	SERIES	BODY	DESCRIPTION
Note: Sales Code EP0 = 2.5L Gas Engine						
Note: Sales Code ER0 = 4.0L Gas Engine						
1						FRAME, Chassis
	52058 811AB	1	J			w/4.0L Eng.
	52058 813AB	1	J			w/2.5L Eng.
	52058 815AB	1	U			w/4.0L Eng.
	52058 817AB	1	U			w/2.5L Eng.
2	5205 8618	1				BRACKET, Transmission Mount, Trans. Support
3	5205 8546	1				BRACKET, Transmission Mount, Trans. Support
4	5205 8548	1				BRACKET, Transmission Mount, Trans. Support
5	5208 5085	1				BUSHING, Exhaust Hanger
6	52058 551AB	1				MOUNT, Transmission, Trans. Support
7	5205 8863	1				BRACKET, Transmission Mount, Trans. Supprt
8						PLATE, Suspension
	5205 8430	2	J			
		2	U			
9						CROSSMEMBER, Underbody
	5205 8125	1	J			Front
		1	U			Front
10						BRACKET, Frame Rail
	5205 8893	1	J			Inter. Shaft
	5205 8894	1	U			Inter. Shaft
11						BRACKET, Frame Rail
	52058 160AB	1	J			Right
	52058 161AB	1	J			Left
12						BRACKET, Frame Rail
	5205 8090	1	J			Right
	5205 8091	1	J			Left
13						BRACKET, Engine Mount
	5205 8864	1	J			Upper, w/4.0L Eng., Right
		1	U			Upper, w/4.0L Eng., Right
	5205 8865	1	J			Upper, w/4.0L Eng., Left
		1	U			Upper, w/4.0L Eng., Left
	5205 8870	1	J			Upper, w/2.5L Eng., Right
		1	U			Upper, w/2.5L Eng., Right
	5205 8871	1	J			Upper, w/2.5L Eng., Left
		1	U			Upper, w/2.5L Eng., Left
-14						REINFORCEMENT, Engine Mount
	5205 8846	1	J			Right
		1	U			Right
	5205 8847	1	J			Left
		1	U			Left
-15						REINFORCEMENT, Engine Mount



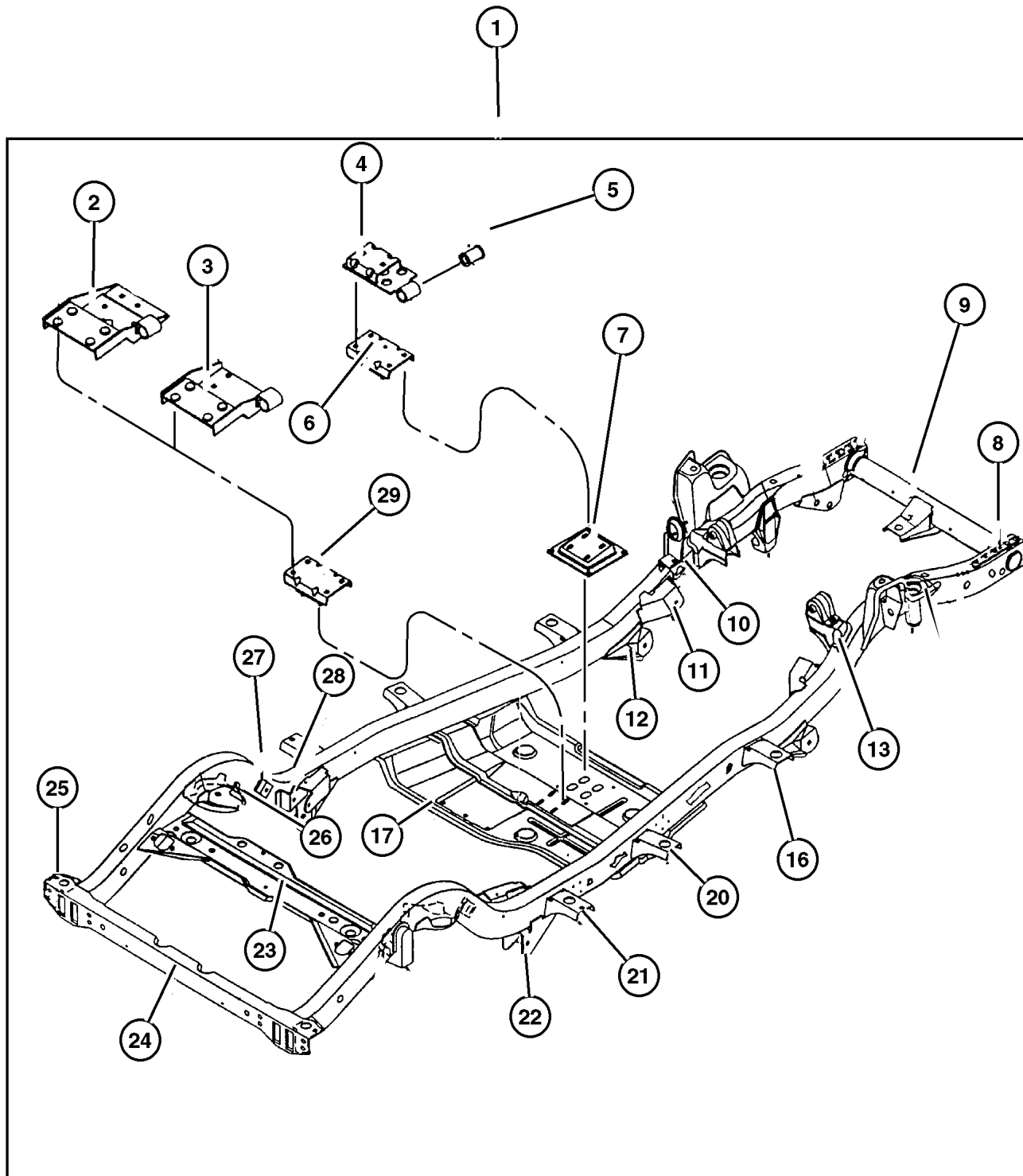
JEEP WRANGLER (TJ)

SERIES	LINE	BODY	ENGINE	TRANSMISSION
L=Low Line	J = Wrangler 4WD U = Wrangler 4WD (RHD)	77 = 93.4 WB	EPE, EP0 = 2.5L Power Tech ERH, ER0 = 4.0L Power Tech	DGG, DGD = 32RH 3 Spd. Auto. DDQ = 5 Spd. Manual DG0 = All Auto. Trans. DBB =All Manual Trans.

AR = Use as required - = Non illustrated part # = New this model year

June 7, 2002

Frame 1998 TJ
Figure 013-110



ITEM	PART NUMBER	QTY	LINE	SERIES	BODY	DESCRIPTION
	5205 8845	1	J			Left
		1	U			Left
	5205 8911	1	J			Right
16						BRACKET, Frame
	5205 8629	4	J			
		4	U			
17						CROSSMEMBER, Skid Plate
	5205 8769	1	J			
		1	U			
-18						SCREW, Hex Flange Head
	6035 836	6	J			Skid Plate
		6	U			Skid Plate
-19						NUT
	6035 739	6	J			Skid Plate
		6	U			Skid Plate
20						BRACKET, Frame
	5205 8629	4	J			
		4	U			
21						BRACKET, Frame
	5205 8639	2	J			
		2	U			
22						BRACKET, Frame Rail
	5205 8142	1	J			Rear Suspension, Right
		1	U			Rear Suspension, Right
	5205 8143	1	J			Rear Suspension, Left
		1	U			Rear Suspension, Left
23						CROSSMEMBER, Intermediate Rear
	5205 8136	1	J			
		1	U			
24						CROSSMEMBER, Rear Frame
	52058 121AB	1	J			
		1	U			
25						REINFORCEMENT, Crossmember
	5205 8772	1	J			Rear Crossmember, Right
		1	U			Rear Crossmember, Right
	5205 8773	1	J			Rear Suspension, Left
		1	U			Rear Suspension, Left
26						BRACKET, Frame Rail
	5205 8420	1	J			Spring Mtg., Right
		1	U			Spring Mtg., Right
	5205 8421	1	J			Spring Mtg., Left
		1	U			Spring Mtg., Left
27						BRACKET, Stabilizer Bar

JEEP WRANGLER (TJ)

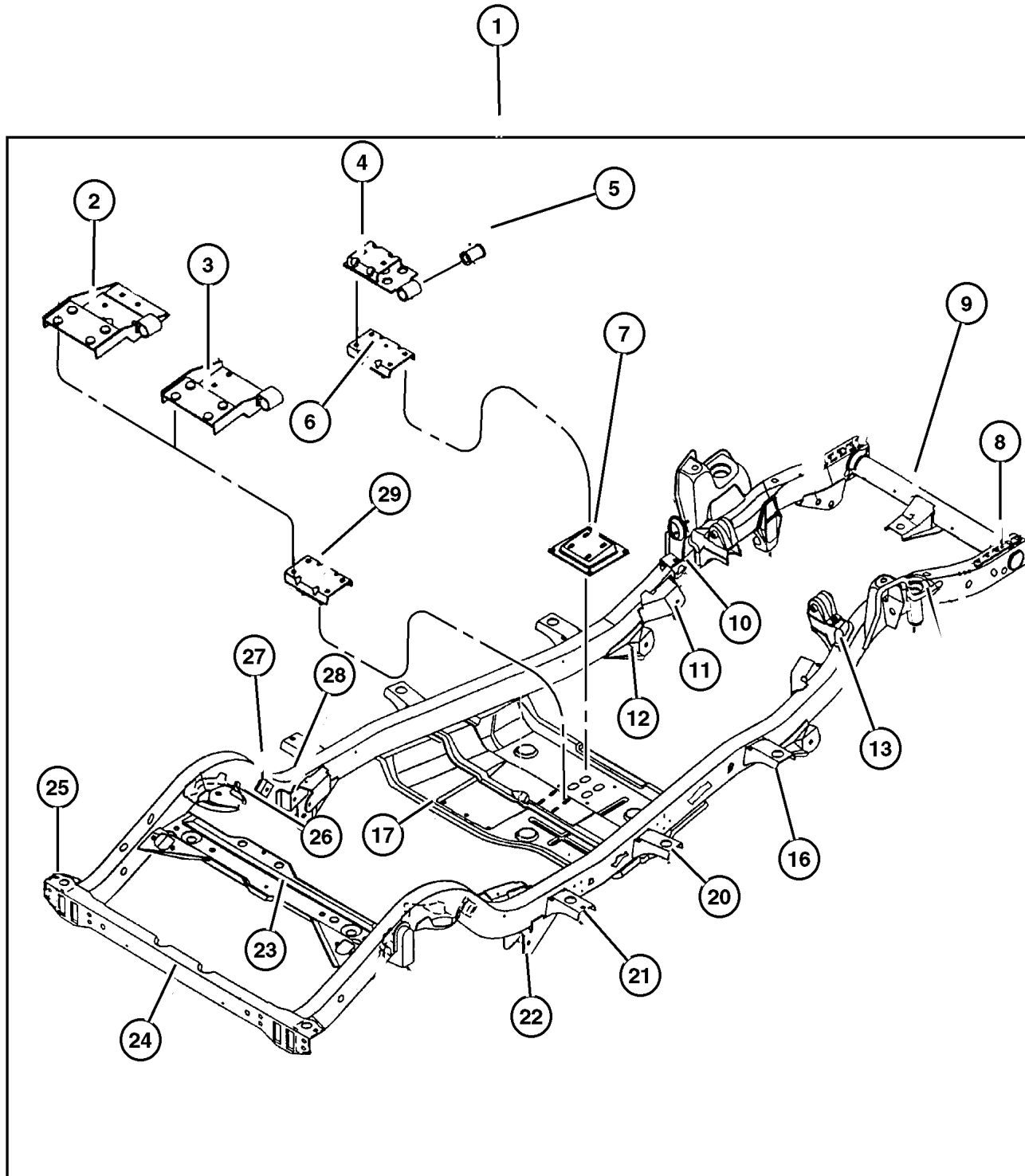
SERIES	LINE	BODY	ENGINE	TRANSMISSION
L=Low Line	J = Wrangler 4WD U = Wrangler 4WD (RHD)	77 = 93.4 WB	EPE, EP0 = 2.5L Power Tech ERH, ER0 = 4.0L Power Tech	DGG, DGD = 32RH 3 Spd. Auto. DDQ = 5 Spd. Manual DGO = All Auto. Trans. DBB =All Manual Trans.

AR = Use as required - = Non illustrated part # = New this model year

June 7, 2002

Frame 1998 TJ
Figure 013-110

ITEM	PART NUMBER	QTY	LINE	SERIES	BODY	DESCRIPTION
	5205 8632	2	U			Left
		2	J			Right
28						BRACKET, Upper Control Arm
	52058 466AB	1	J			Right
		1	U			Right
	52058 467AB	1	J			Left
		1	U			Left
29	52058 551AB	1				MOUNT, Transmission, Trans. Support



JEEP WRANGLER (TJ)

SERIES	LINE	BODY	ENGINE	TRANSMISSION
L=Low Line	J = Wrangler 4WD U = Wrangler 4WD (RHD)	77 = 93.4 WB	EPE, EP0 = 2.5L Power Tech ERH, ER0 = 4.0L Power Tech	DGG, DGD = 32RH 3 Spd. Auto. DDQ = 5 Spd. Manual DG0 = All Auto. Trans. DBB =All Manual Trans.

AR = Use as required - = Non illustrated part # = New this model year

June 7, 2002

Frame 1999 TJ
Figure 013-110

ITEM	PART NUMBER	QTY	LINE	SERIES	BODY	DESCRIPTION
------	-------------	-----	------	--------	------	-------------

Note: Sales Code EP0 = 2.5L Gas Engine

Note: Sales Code ER0 = 4.0L Gas Engine

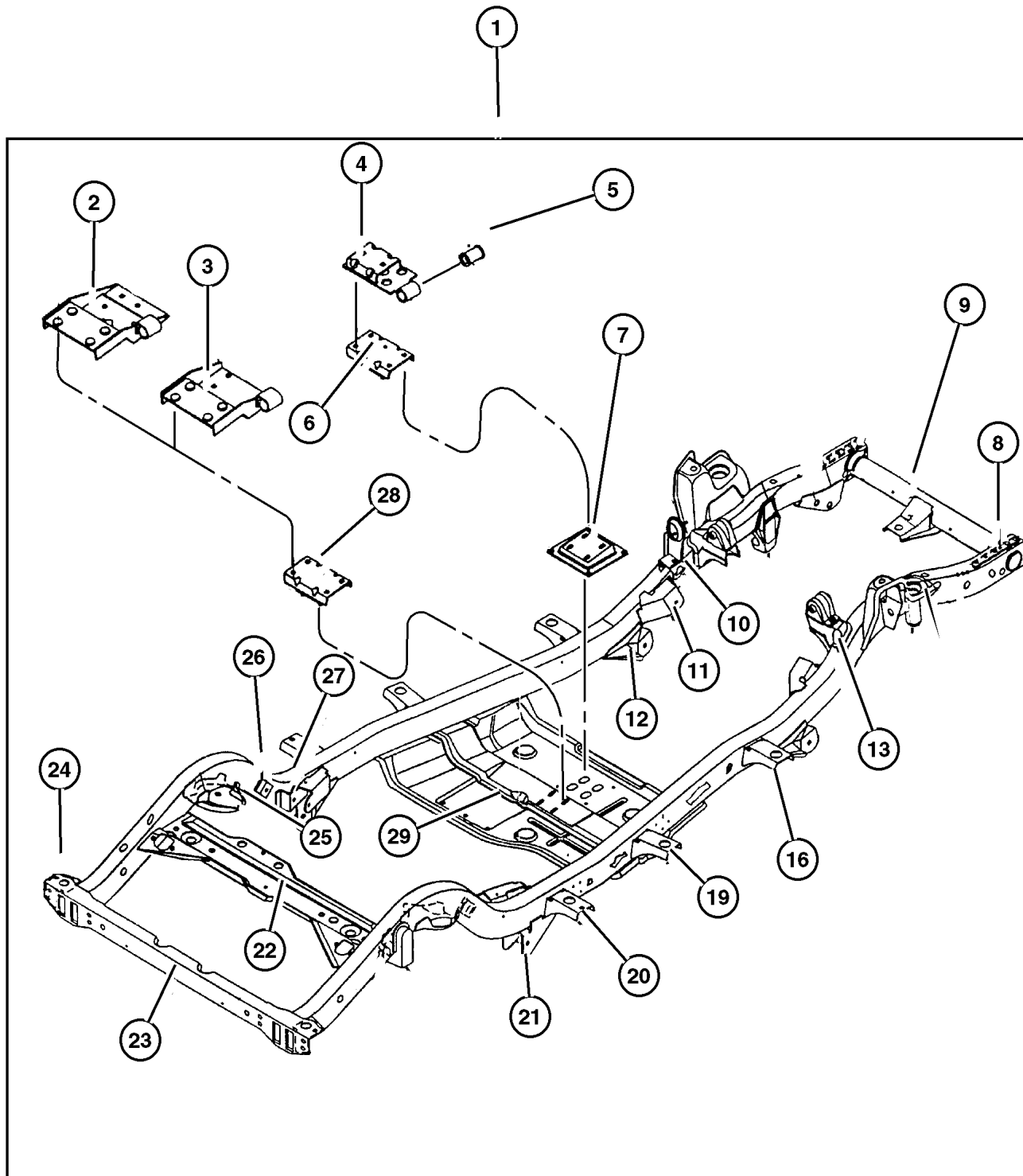
1						FRAME, Chassis
	#52058 811AC	1	J			w/4.0L Eng.
	#52058 813AC	1	J			w/2.5L Eng.
	#52058 815AC	1	U			w/4.0L Eng.
	#52058 817AC	1	U			w/2.5L Eng.
2	5205 8618	1				BRACKET, Transmission Mount, Trans. Support
3	5205 8546	1				BRACKET, Transmission Mount, Trans. Support
4	5205 8548	1				BRACKET, Transmission Mount, Trans. Support
5	5208 5085	1				BUSHING, Exhaust Hanger
6	52058 551AB	1				MOUNT, Transmission, Trans. Support
7	5205 8863	1				BRACKET, Transmission Mount, Trans. Support
8						PLATE, Suspension
	5205 8430	2	J			
		2	U			
9						CROSSMEMBER, Underbody
	5003 819AA	1	J			
		1	U			
10						BRACKET, Frame Rail
	5205 8893	1	J			
	5205 8894	1	U			
11						BRACKET, Frame Rail
	52058 160AB	1	J			Right
		1	U			Right
	52058 161AB	1	J			Left
		1	U			Left
12						BRACKET, Frame Rail
	5205 8090	1	J			Right
		1	U			Right
	5205 8091	1	J			Left
		1	U			Left
13						BRACKET, Engine Mount
	5205 8864	1	J			Upper, w/4.0L Eng., Right
		1	U			Upper, w/4.0L Eng., Right
	5205 8865	1	J			Upper, w/4.0L Eng., Left
		1	U			Upper, w/4.0L Eng., Left
	5205 8870	1	J			Upper, w/2.5L Eng., Right
		1	U			Upper, w/2.5L Eng., Right
	5205 8871	1	J			Upper, w/2.5L Eng., Left
		1	U			Upper, w/2.5L Eng., Left
-14						REINFORCEMENT, Engine Mount
	5205 8846	1	J			Right

JEEP WRANGLER (TJ)

SERIES	LINE	BODY	ENGINE	TRANSMISSION
L=Low Line	J = Wrangler 4WD U = Wrangler 4WD (RHD)	77 = 93.4 WB	EPE, EP0 = 2.5L Power Tech ERH, ER0 = 4.0L Power Tech	DGG, DGD = 32RH 3 Spd. Auto. DDQ = 5 Spd. Manual DG0 = All Auto. Trans. DBB =All Manual Trans.

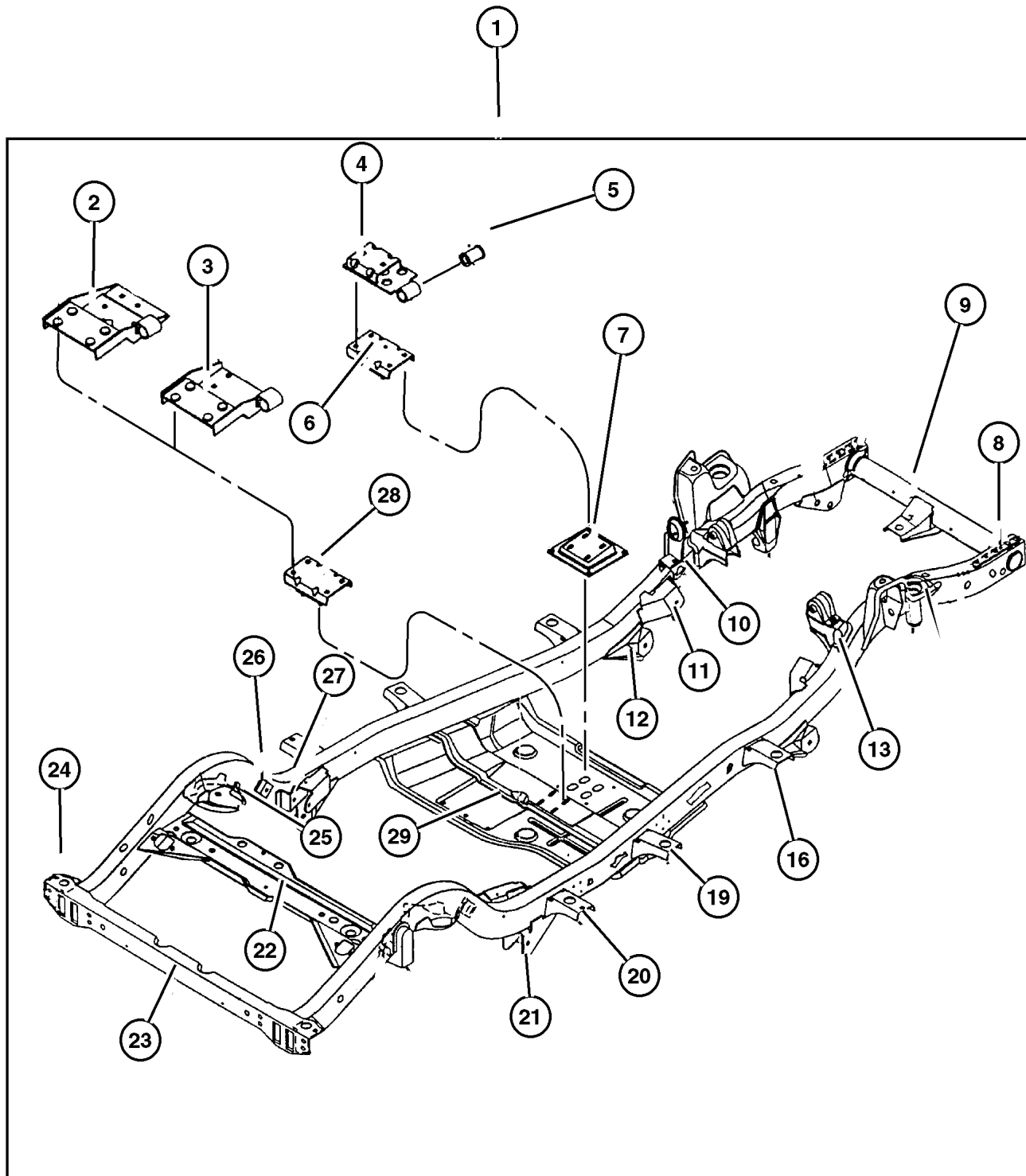
AR = Use as required - = Non illustrated part # = New this model year

June 7, 2002



Frame 1999 TJ
Figure 013-110

ITEM	PART NUMBER	QTY	LINE	SERIES	BODY	DESCRIPTION
		1	U			Right
	5205 8847	1	J			Left
		1	U			Left
-15						REINFORCEMENT, Engine Mount
	5205 8845	1	J			Left
		1	U			Left
	5205 8911	1	J			Right
		1	U			Right
16						BRACKET, Frame
	5003 831AA	4	J			
		4	U			
-17						SCREW, Hex Flange Head
	6035 836	6	J			
		6	U			
-18						NUT
	6035 739	6	J			
		6	U			
19						BRACKET, Frame
	5003 831AA	4	J			
		4	U			
20						BRACKET, Frame
	5003 836AA	2	J			
		2	U			
21						BRACKET, Frame Rail
	5003 832AA	1	J			Right
		1	U			Right
	5003 833AA	1	J			Left
		1	U			Left
22						CROSSMEMBER, Intermediate Rear
	5205 8136	1	J			
		1	U			
23						CROSSMEMBER, Rear Frame
	52058 121AB	1	J			
		1	U			
24						REINFORCEMENT, Crossmember
	5205 8772	1	J			Right
		1	U			Right
	5205 8773	1	J			Left
		1	U			Left
25						BRACKET, Frame Rail
	5205 8420	1	J			Spring Mtg., Right
		1	U			Spring Mtg., Right
	5205 8421	1	J			Spring Mtg., Left



JEEP WRANGLER (TJ)

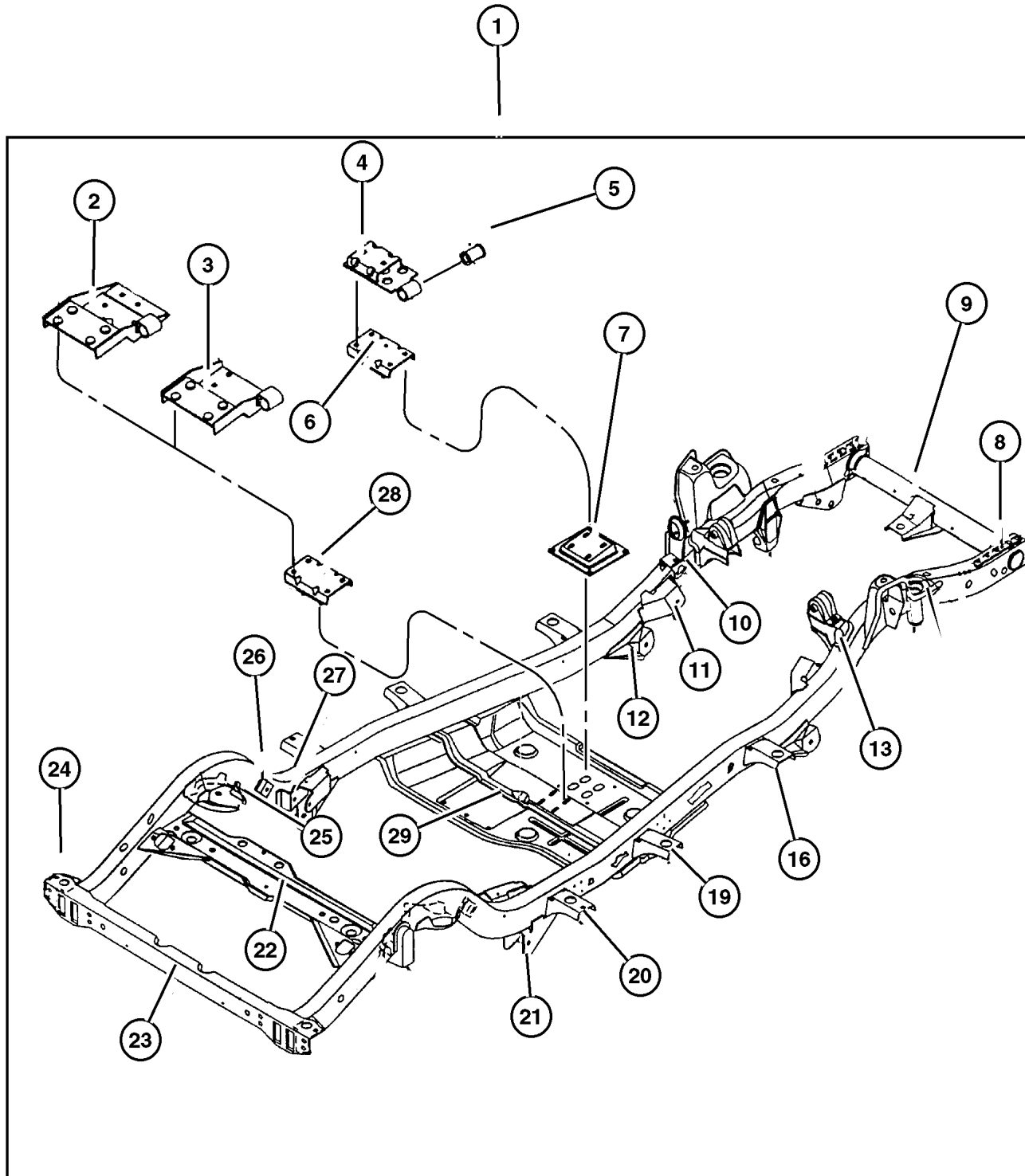
SERIES	LINE	BODY	ENGINE	TRANSMISSION
L=Low Line	J = Wrangler 4WD U = Wrangler 4WD (RHD)	77 = 93.4 WB	EPE, EP0 = 2.5L Power Tech ERH, ER0 = 4.0L Power Tech	DGG, DGD = 32RH 3 Spd. Auto. DDQ = 5 Spd. Manual DGO = All Auto. Trans. DBB =All Manual Trans.

AR = Use as required - = Non illustrated part # = New this model year

June 7, 2002

Frame 1999 TJ
Figure 013-110

ITEM	PART NUMBER	QTY	LINE	SERIES	BODY	DESCRIPTION
		1	U			Spring Mtg., Left
26		2	J			BRACKET, Stabilizer Bar
	5205 8632	2	J			
		2	U			
27		1	J			BRACKET, Upper Control Arm
	52058 466AB	1	J			Right
		1	U			Right
	52058 467AB	1	J			Left
		1	U			Left
28	52058 551AB	1				MOUNT, Transmission, Trans. Support
29						SKID PLATE, Support
	#52058 133AC	1	J			
		1	U			



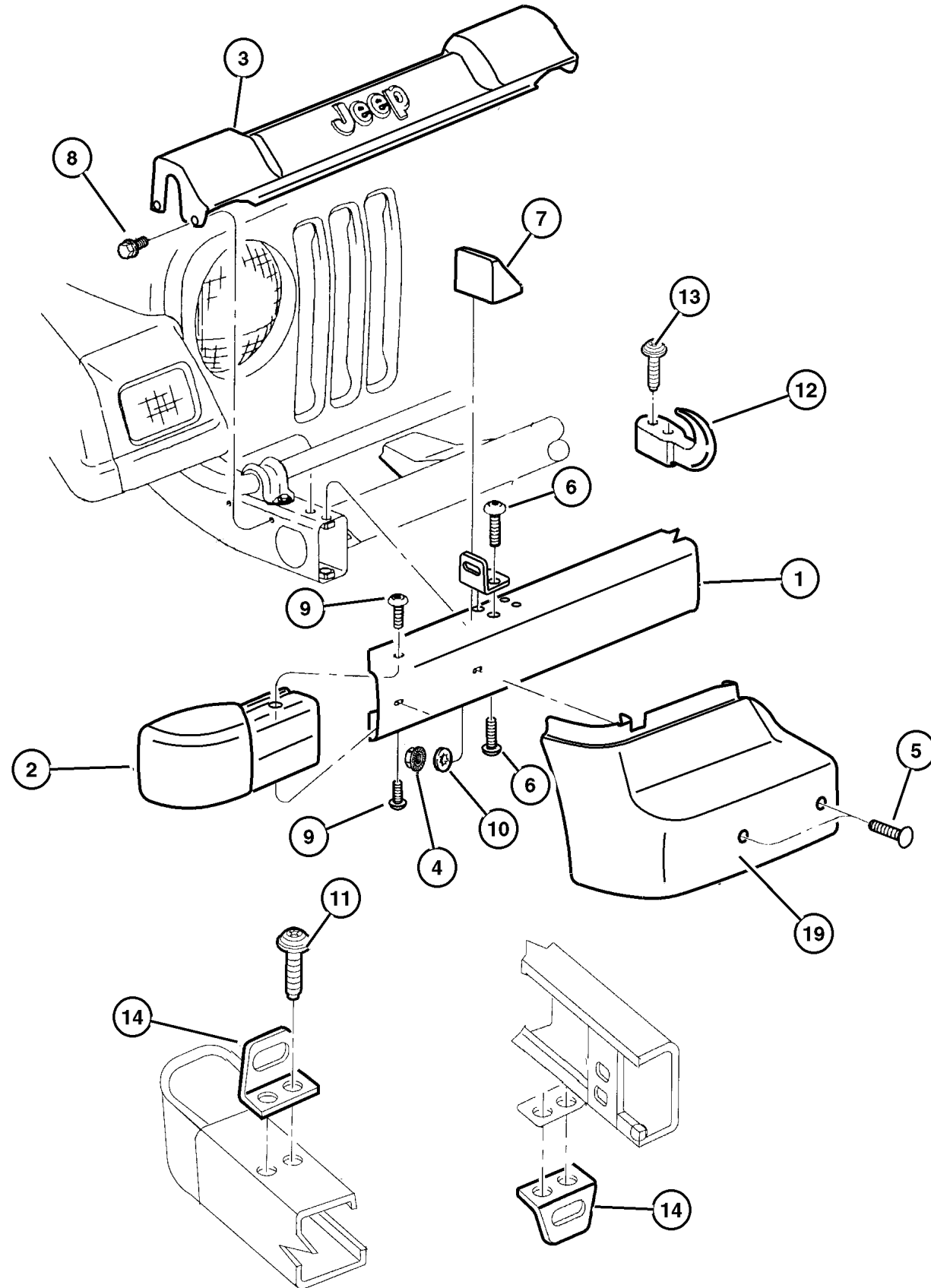
JEEP WRANGLER (TJ)

SERIES	LINE	BODY	ENGINE	TRANSMISSION
L=Low Line	J = Wrangler 4WD U = Wrangler 4WD (RHD)	77 = 93.4 WB	EPE, EP0 = 2.5L Power Tech ERH, ER0 = 4.0L Power Tech	DGG, DGD = 32RH 3 Spd. Auto. DDQ = 5 Spd. Manual DG0 = All Auto. Trans. DBB =All Manual Trans.

AR = Use as required - = Non illustrated part # = New this model year

June 7, 2002

**Bumper, Front 1997 TJ
Figure 013-210**



ITEM	PART NUMBER	QTY	LINE	SERIES	BODY	DESCRIPTION
1						BAR, Bumper Front - Painted
	5ED1 6T3X	1	J		77	
		1	U		77	
2						EXTENSION, Bumper
	55155 756AA	1				Right
	55155 757AA	1				Left
	5517 5102	1	J		77	Right
		1	U		77	Right
	5517 5103	1	J		77	Left
		1	U		77	Left
3	5515 5667	1				COVER, Bumper
4						NUT, Spring
	6100 840	4	J		77	
		4	U		77	
5	6504 723	4				BOLT
6	6035 922AA	4				SCREW, Pan Head
7						CAP, (NOT SERVICED)
8	6035 052	4				SCREW AND WASHER, Hex Flange Head Tapping, .25-20x.625
9	6504 212	8				SCREW, Large Round Washer Head Lock, M6x1.00x20.00
10						NUT, Spring
	6100 840	4	U		77	
		4	J		77	Push
11						SCREW, (NOT SERVICED)
12						HOOK, Tow
	5205 9015	1				Right
	5205 9016	1				Left
13	6036 060AA	4				SCREW
14	5200 1644	2				HOOK, Tow, Towing
-15						BRACKET, License Plate
	5515 5193	1				License Plate Mtg.
	5517 4994	1				SCREW, (NOT SERVICED)
-16						SCREW, (NOT SERVICED)
-17	6504 662	4				RETAINER, Push On, Plate Screw
-18						NUT, (NOT SERVICED)
19						COVER, Bumper
	5515 5668	1				Right
	5515 5669	1				Left

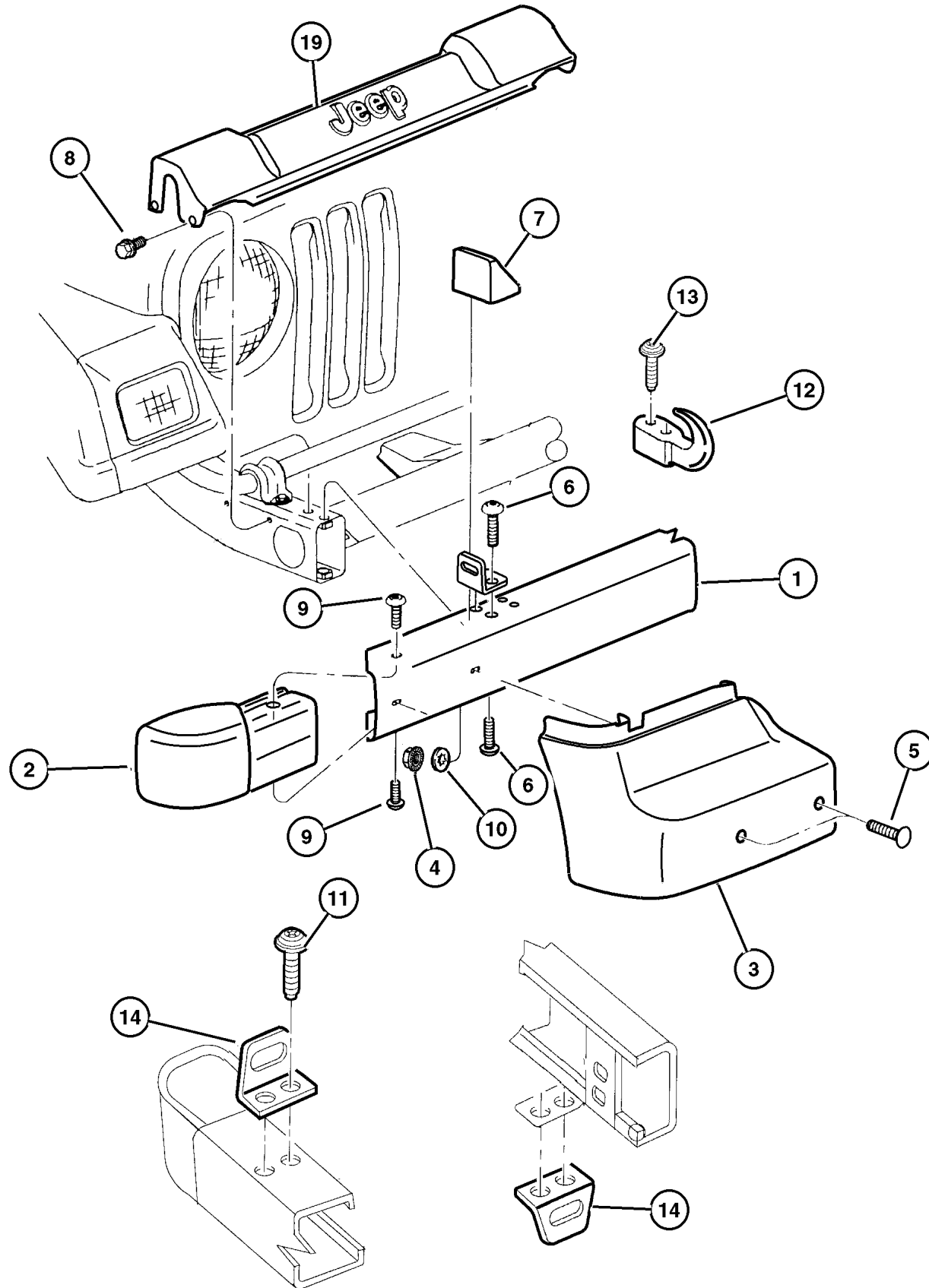
JEEP WRANGLER (TJ)

SERIES	LINE	BODY	ENGINE	TRANSMISSION
L=Low Line	J = Wrangler 4WD U = Wrangler 4WD (RHD)	77 = 93.4 WB	EPE, EP0 = 2.5L Power Tech ERH, ER0 = 4.0L Power Tech	DGG, DGD = 32RH 3 Spd. Auto. DDQ = 5 Spd. Manual DG0 = All Auto. Trans. DBB =All Manual Trans.

AR = Use as required - = Non illustrated part # = New this model year

June 7, 2002

Bumper, Front 1998 TJ 1999 TJ
Figure 013-210



ITEM	PART NUMBER	QTY	LINE	SERIES	BODY	DESCRIPTION
1	5ED16 JX8AD	1				BAR, Bumper Front - Painted
2						EXTENSION, Bumper
	55155 756AA	1				Right
	55155 757AA	1				Left
	55155 762AA	1				Export, Right
	55155 763AA	1				Export, Left
3						COVER, Bumper
	55155 668AB	1				Export, Right
	55155 669AB	1				Export, Left
	55155 667AE	1				1999 TJ
4	6100 840	4				NUT, Spring
5	6504 723	4				BOLT
6						SCREW, Pan Head
	6035 922AA	4				(NOT SERVICED), 1999 TJ 1998 TJ
7						CAP, (NOT SERVICED)
8	6035 052	4				SCREW AND WASHER, Hex Flange Head Tapping, .25-20x. 625
9						SCREW, Large Round Washer Head Lock, M6x1.00x20.00
	6504 212	8				1998 TJ
		2				1999 TJ
10	6100 840	4				NUT, Spring
11						SCREW, (NOT SERVICED)
12						HOOK, Tow
	5205 9015	1				Export, 1998 TJ, Right
	5205 9016	1				Left
	5205 9015	1				1999 TJ, Right
13						SCREW, (NOT SERVICED)
14						HOOK, Tow
	5200 1644	2				1998 TJ
	5205 9015	1				1999 TJ, Left Front
	5205 9016	1				1999 TJ, Right Front
	#52059 379AA	1				1999 TJ, Rear
-15						BRACKET, License Plate
	5515 5193	1				1998 TJ
	5517 4994	1				License Plate Mtg.
-16						SCREW, (NOT SERVICED)
-17	6504 662	4				RETAINER, Push On
-18						NUT, (NOT SERVICED)
19						COVER, Bumper
	55155 667AC	1				1998 TJ
	#55155 667AF	1				1999 TJ
-20						GUARD, Bumper
	52000 240AB	2				1998 TJ

JEEP WRANGLER (TJ)

SERIES	LINE	BODY	ENGINE	TRANSMISSION
L=Low Line	J = Wrangler 4WD U = Wrangler 4WD (RHD)	77 = 93.4 WB	EPE, EP0 = 2.5L Power Tech ERH, ER0 = 4.0L Power Tech	DGG, DGD = 32RH 3 Spd. Auto. DDQ = 5 Spd. Manual DG0 = All Auto. Trans. DBB =All Manual Trans.

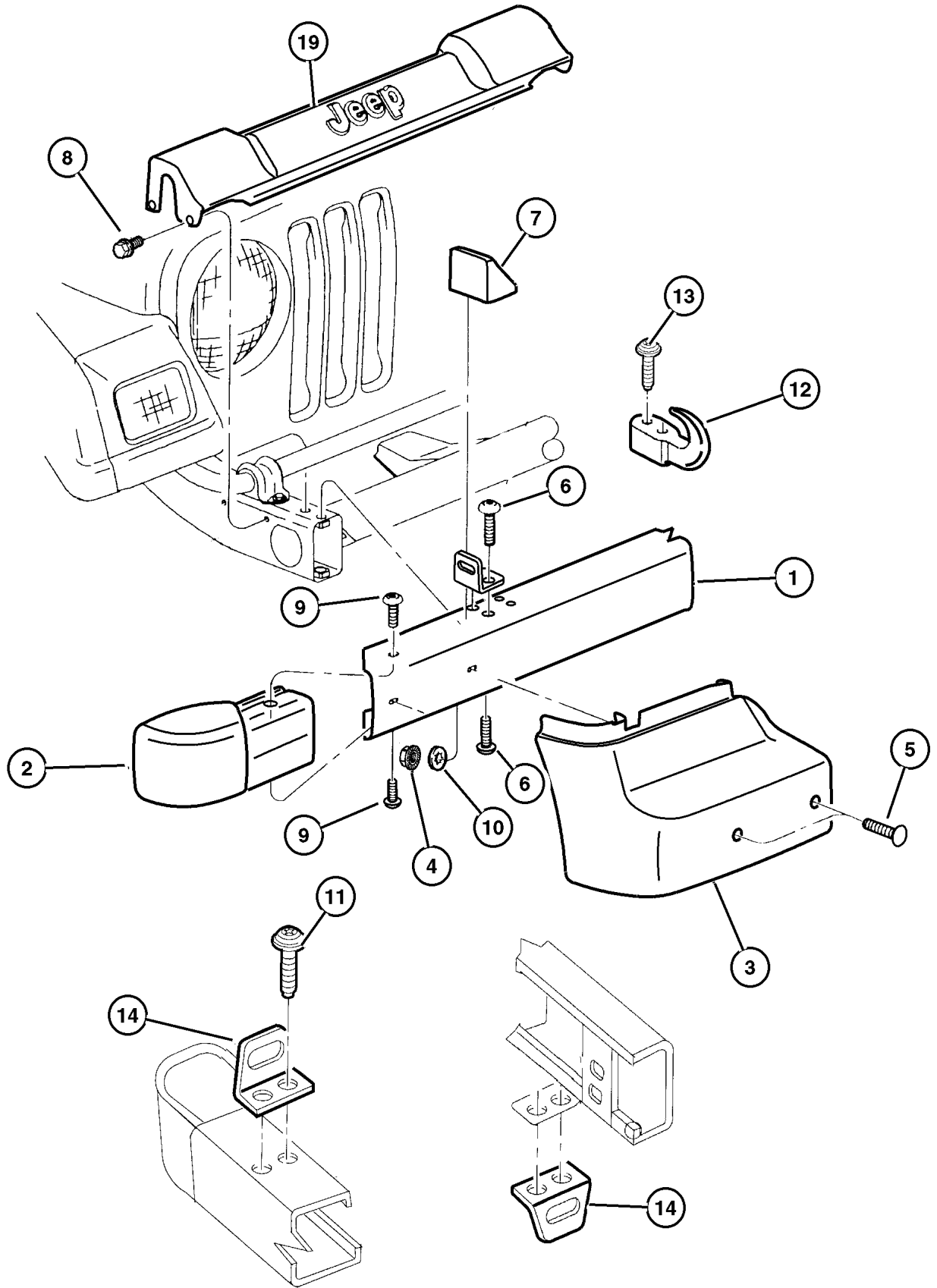
AR = Use as required - = Non illustrated part # = New this model year

June 7, 2002

Bumper, Front 1998 TJ 1999 TJ
Figure 013-210

ITEM	PART NUMBER	QTY	LINE	SERIES	BODY	DESCRIPTION
------	-------------	-----	------	--------	------	-------------

#52000 240AC 2 1999 TJ



JEEP WRANGLER (TJ)				
SERIES	LINE	BODY	ENGINE	TRANSMISSION
L=Low Line	J = Wrangler 4WD U = Wrangler 4WD (RHD)	77 = 93.4 WB	EPE, EP0 = 2.5L Power Tech ERH, ER0 = 4.0L Power Tech	DGG, DGD = 32RH 3 Spd. Auto. DDQ = 5 Spd. Manual DG0 = All Auto. Trans. DBB =All Manual Trans.

AR = Use as required - = Non illustrated part # = New this model year

June 7, 2002

Bumper, Rear Figure 013-310

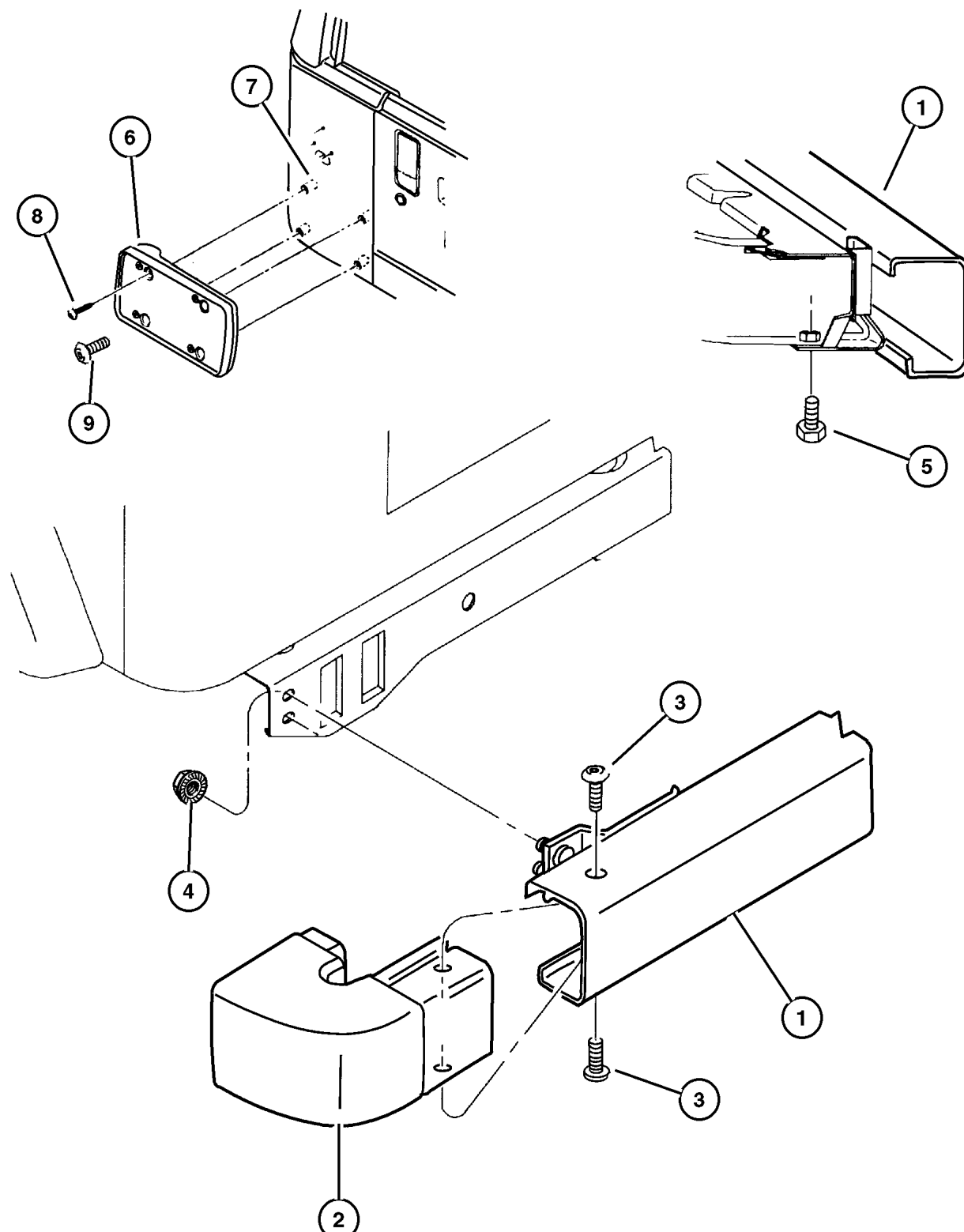
ITEM	PART NUMBER	QTY	LINE	SERIES	BODY	DESCRIPTION
1						BAR, Bumper Rear - Black
	5ED18 JX8AB	1				1998 TJ, 1999 TJ
	5ED1 8T3X	1	J		77	Rear Bumper, 1997 TJ
		1	U		77	Rear Bumper, 1997 TJ
	5EY03 JX8AE	1				Export, 1998 TJ, 1999 TJ
	5EY0 3T3X	1	J		77	1997 TJ
		1	U		77	1997 TJ
2						EXTENSION, Bumper
	55155 760AA	1				Right
	55155 761AA	1				Left
	55155 762AA	1				Export, Right
	55155 763AA	1				Export, Left
3	6504 212	2				SCREW, Large Round Washer Head Lock, M6x1.00x20.00
4						NUT, Hex, .437-14
						(NOT REQUIRED), 1998 TJ, 1999 TJ
	J942 2299	1				1997 TJ
5						SCREW, (NOT SERVICED)
6	5517 4994	1				BRACKET, License Plate, License Plate Mtg.
7						RETAINER, Push On
	6504 662	4				Plate Screw, 1997 TJ, 1998 TJ
		4				1999 TJ
8						SCREW, (NOT SERVICED)
9	3420 1686	2				BOLT, Hex Flange Head, M12x1.18x35
-10						HOOK, Tow
	5200 1644	2				1997 TJ, 1998 TJ
	#52059 379AA	1				1999 TJ

JEEP WRANGLER (TJ)

SERIES	LINE	BODY	ENGINE	TRANSMISSION
L=Low Line	J = Wrangler 4WD U = Wrangler 4WD (RHD)	77 = 93.4 WB	EPE, EP0 = 2.5L Power Tech ERH, ER0 = 4.0L Power Tech	DGG, DGD = 32RH 3 Spd. Auto. DDQ = 5 Spd. Manual DGO = All Auto. Trans. DBB =All Manual Trans.

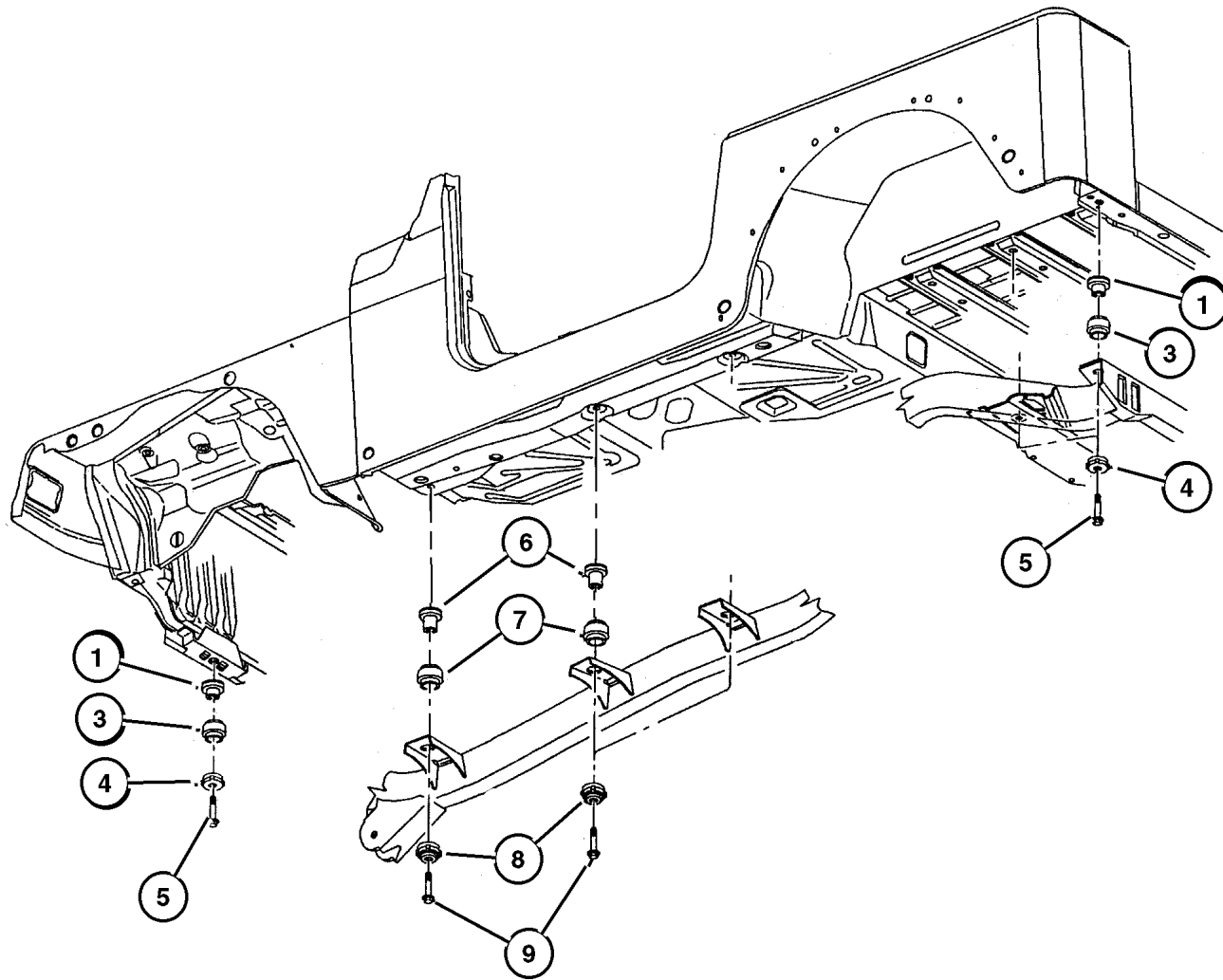
AR = Use as required - = Non illustrated part # = New this model year

June 7, 2002



**Body Mounting Hardware
Figure 013-510**

ITEM	PART NUMBER	QTY	LINE	SERIES	BODY	DESCRIPTION
1	5200 1961	6				RETAINER, Body Mount
-2	6035 438	1				SCREW
3						INSULATOR, Body Hold Down
	5517 6179	5	J		77	Upper Body Mount, 1997 TJ
		5	U		77	Upper Body Mount, 1997 TJ
		5				1998 TJ, 1999 TJ
4						INSULATOR, Body Hold Down
	5517 6178	5	J		77	Lower Body Mount, 1997 TJ
		5	U		77	Lower Body Mount, 1997 TJ
		5				1998 TJ, 1999 TJ
5						SCREW, .437-14x.75, Use J4007412, (NOT SERVICED)
6	5200 1961	6				RETAINER, Body Mount
7						INSULATOR, Body Hold Down
	5517 6177	6	J		77	Upper Body Mount, 1997 TJ
		6	U		77	Upper Body Mount, 1997 TJ
	55176 177AB	6				1998 TJ, 1999 TJ
8						INSULATOR, Body Hold Down
	5517 6180	6	J		77	Lower Body Mount, 1997 TJ
		6	U		77	Lower Body Mount, 1997 TJ
		6				1998 TJ, 1999 TJ
9	J400 7571	6				SCREW, Hex Flange Head, .50-13x3.75



JEEP WRANGLER (TJ)

SERIES	LINE	BODY	ENGINE	TRANSMISSION
L=Low Line	J = Wrangler 4WD U = Wrangler 4WD (RHD)	77 = 93.4 WB	EPE, EP0 = 2.5L Power Tech ERH, ER0 = 4.0L Power Tech	DGG, DGD = 32RH 3 Spd. Auto. DDQ = 5 Spd. Manual DG0 = All Auto. Trans. DBB =All Manual Trans.

AR = Use as required - = Non illustrated part # = New this model year

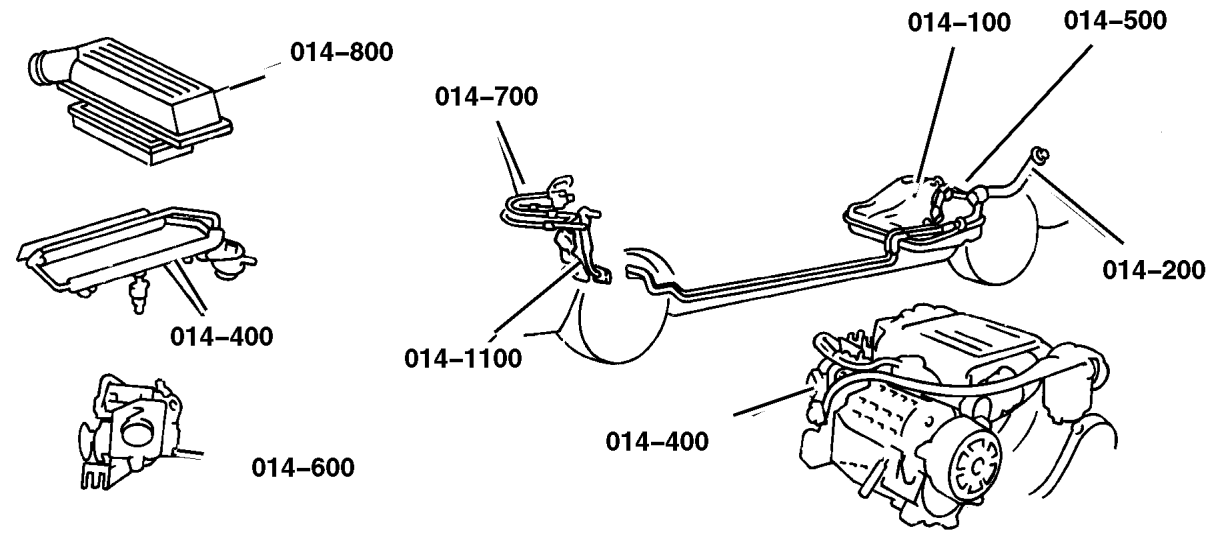
June 7, 2002

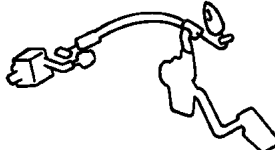

Group – 014

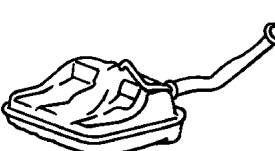

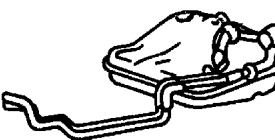
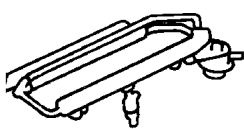
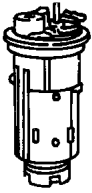

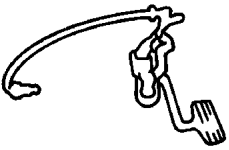
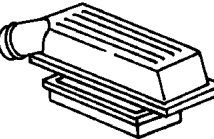
Fuel

Group – 014

Fuel



<p>014-1000 Speed Control</p> 	<p>014-1100 Accelerator Pedal</p> 		
--	--	--	--

<p>014-100 Tank, Fuel</p> 	<p>014-200 Fuel Tank Filler Tube</p> 	<p>014-300 Fuel Lines</p> 	<p>014-400 Fuel Rail</p> 
<p>014-500 Fuel Pump and Sending Unit</p> 	<p>014-600 Throttle Body</p> 	<p>014-700 Throttle Controls</p> 	<p>014-800 Air Cleaner</p> 

GROUP 14 - Fuel

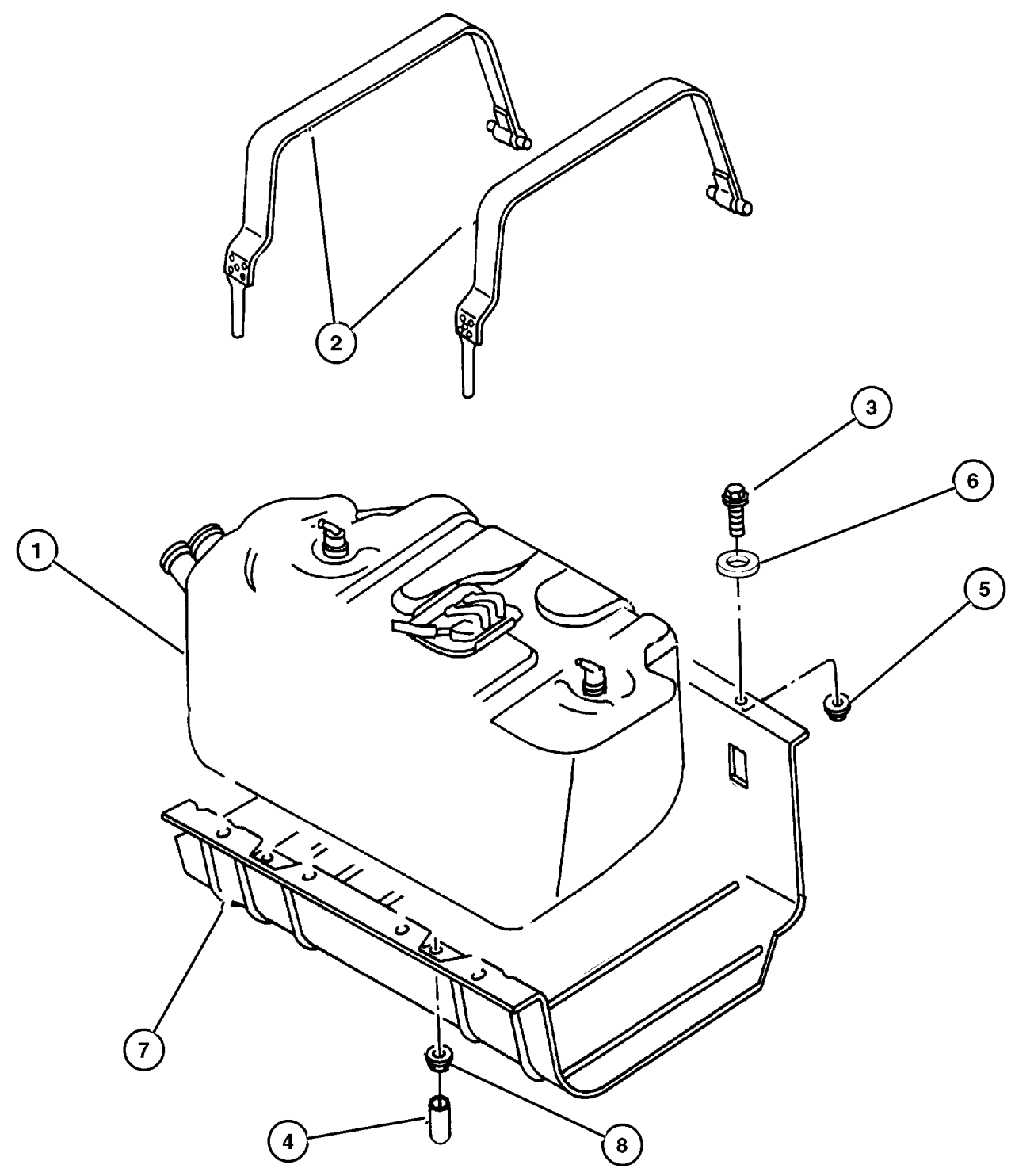
Illustration Title	Group-Fig. No.
Tank, Fuel	
Fuel Tank 2.5L (EPE), 4.0L (ERH) Engine	Fig. 014-110
Fuel Tank Filler Tube	
Fuel Filler Tube 2.5L (EPE), 4.0L (ERH) Engine 1997 TJ	Fig. 014-210
Fuel Filler Tube 2.5L (EPE), 4.0L (ERH) Engine 1998 TJ	Fig. 014-210
Fuel Filler Tube 2.5L (EPE), 4.0L (ERH) Engine 1999 TJ	Fig. 014-210
Fuel Lines	
Fuel Lines, Front 2.5L (EPE) Engine	Fig. 014-310
Fuel Lines, Rear 2.5L (EPE) Engine	Fig. 014-320
Fuel Lines, Front 4.0L (ERH) Engine 1997 TJ 1998 TJ	Fig. 014-330
Fuel Lines, Front 4.0L Engine 1999 TJ	Fig. 014-335
Fuel Lines, Rear 4.0L (ERH) Engine	Fig. 014-340
Fuel Rail	
Fuel Injection System 2.5L (EPE), 4.0L (ERH) Engine	Fig. 014-410
Fuel Pump and Sending Unit	
Fuel Module 2.5L (EPE), 4.0L (ERH) Engine	Fig. 014-510
Throttle Body	
Throttle Body 2.5L (EPE), 4.0L (ERH) Engine	Fig. 014-610
Throttle Controls	
Throttle Controls 2.5L (EPE), 4.0L (ERH) Engine	Fig. 014-710
Air Cleaner	
Air Cleaner 2.5L (EPE), 4.0L (ERH) Engine	Fig. 014-810
Speed Control	
Speed Control 1998 TJ 1999 TJ	Fig. 014-1010
Accelerator Pedal	
Accelerator Pedal 2.5L (EPE), 4.0L (ERH) Engine	Fig. 014-1110

Fuel Tank 2.5L (EPE), 4.0L (ERH) Engine
Figure 014-110

ITEM	PART NUMBER	QTY	LINE	SERIES	BODY	ENGINE	TRANS	DESCRIPTION
------	-------------	-----	------	--------	------	--------	-------	-------------

NOTE: EP0=All 2.5L Gas Engines
ER0= All 4.0L Gas Engines

1	52018 687AB	1				EP0, ER0		TANK, Fuel 15 Gallon
	52018 768AB	1				EP0, ER0		19 Gallon, 1998 TJ, 1999 TJ
	52018 768AC	1				EP0, ER0		19 Gallon, 1997 TJ
2	5210 0235	2						STRAP, Fuel Tank
3	J400 5819	7						BOLT, .312-18x.750
4	5201 8098	2						CAP, Support Strap Stud
5	J400 3954	7						NUT, Hex
6	J400 5293	7						RETAINER, Push In Type M6.3 Hole
7	5210 0219	1						PLATE, Skid
8	J400 3587	2						NUT, Hex



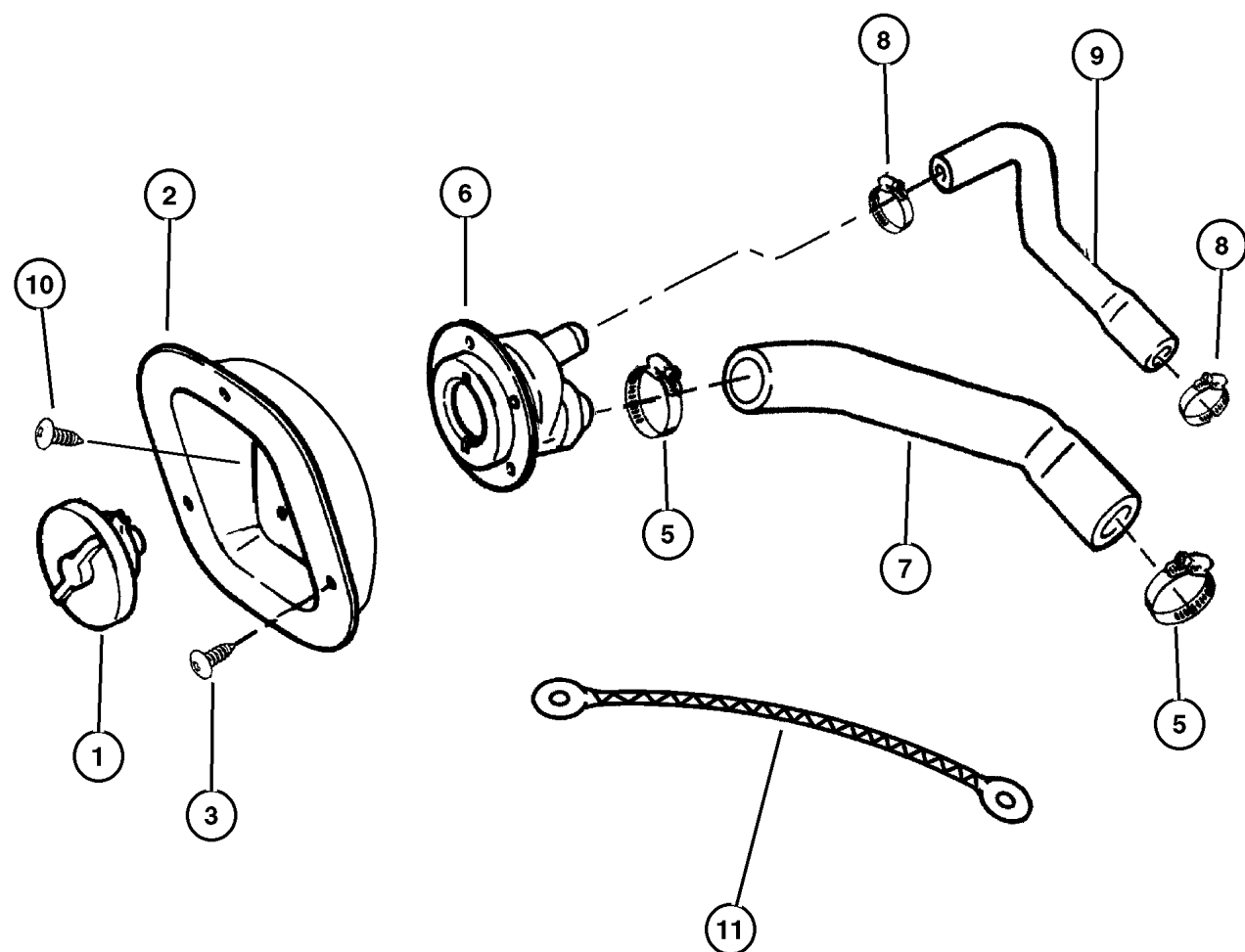
JEEP WRANGLER (TJ)				
SERIES	LINE	BODY	ENGINE	TRANSMISSION
L=Low Line	J = Wrangler 4WD U = Wrangler 4WD (RHD)	77 = 93.4 WB	EPE, EP0 = 2.5L Power Tech ERH, ER0 = 4.0L Power Tech	DGG, DGD = 32RH 3 Spd. Auto. DDQ = 5 Spd. Manual DG0 = All Auto. Trans. DBB =All Manual Trans.

AR = Use as required - = Non illustrated part # = New this model year

June 7, 2002

Fuel Filler Tube 2.5L (EPE), 4.0L (ERH) Engine 1997 TJ
Figure 014-210

ITEM	PART NUMBER	QTY	LINE	SERIES	BODY	ENGINE	TRANS	DESCRIPTION
Note; EP0= All 2.5L Engines ER0= All 4.0L Engines								
1	5210 0116	1						CAP, Fuel Filler Non Locking, Canada, Export
	5212 7863	1						Non Locking, Federal
	8220 2338	1						Locking
2	5212 7675	1						HOUSING, Fuel Filler
3								SCREW, [.190-16x.500], (NOT SERVICED)
-4								SCREW AND WASHER, .190-16x.500, (NOT REQUIRED)
5	6502 090	1				EP0, ER0		CLAMP, Hose
6	5207 9325	1				EP0, ER0		TUBE, Fuel Filler
	5207 9326	1				EP0, ER0		Leaded Fuel
7	5210 0032	1				EP0, ER0		HOSE, Fuel Filler
8	J320 3077	1				EP0, ER0		CLAMP, Hose
9	5210 0033	1				EP0, ER0		HOSE, Fuel Tank Vent
10	0153 832	4						SCREW, .190-16x1.00
11	5210 0212	1				EP0, ER0		STRAP, Ground



JEEP WRANGLER (TJ)

SERIES	LINE	BODY	ENGINE	TRANSMISSION
L=Low Line	J = Wrangler 4WD U = Wrangler 4WD (RHD)	77 = 93.4 WB	EPE, EP0 = 2.5L Power Tech ERH, ER0 = 4.0L Power Tech	DGG, DGD = 32RH 3 Spd. Auto. DDQ = 5 Spd. Manual DG0 = All Auto. Trans. DBB =All Manual Trans.

AR = Use as required - = Non illustrated part # = New this model year

June 7, 2002

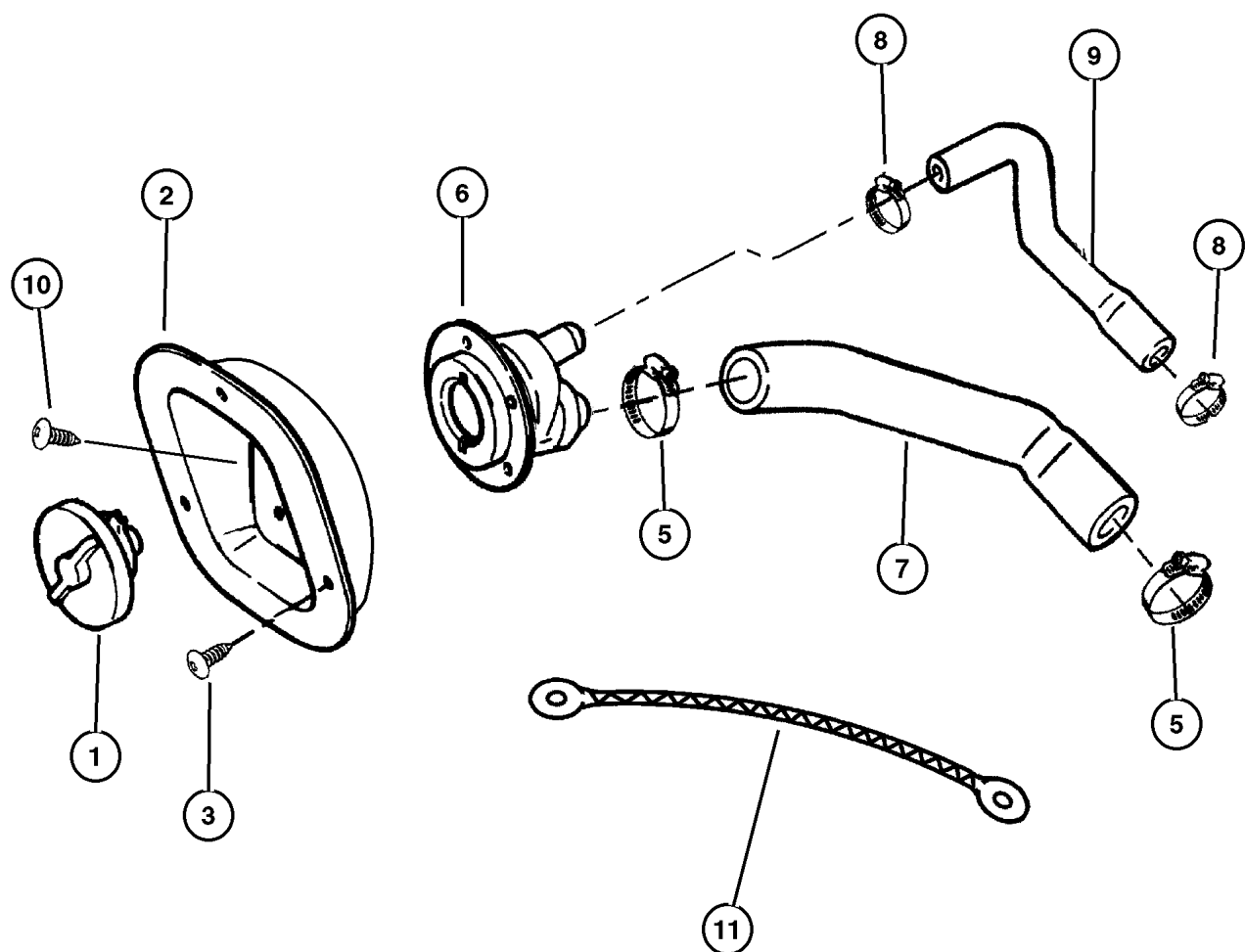
Fuel Filler Tube 2.5L (EPE), 4.0L (ERH) Engine 1998 TJ
Figure 014-210

ITEM	PART NUMBER	QTY	LINE	SERIES	BODY	ENGINE	TRANS	DESCRIPTION
------	-------------	-----	------	--------	------	--------	-------	-------------

Note; EP0= All 2.5L Engines

ER0= All 4.0L Engines

1								CAP, Fuel Filler Non Locking- Export
	52100 116AB	1						Non Locking U/S
	52127 863AB	1						Locking
2	8220 2338	1						HOUSING, Fuel Filler
3	5212 7675	1						SCREW, [.190-16x.500] (NOT REQUIRED)
								(NOT SERVICED)
-4	0153 651	4						SCREW AND WASHER, .190-16x.500
5	6502 090	1				EP0, ER0		CLAMP, Hose
6								TUBE, Fuel Filler Export
	5207 9325	1				EP0, ER0		Federal, Canada, Europe
	52079 325AB	1				EP0, ER0		Leaded Gas, Leaded Fuel
7	52100 032AD	1				EP0, ER0		HOSE, Fuel Filler
8	J320 3077	1				EP0, ER0		CLAMP, Hose
9	5210 0033	1				EP0, ER0		HOSE, Fuel Tank Vent
10	0153 832	4						SCREW, .190-16x1.00
11	5210 0212	1				EP0, ER0		STRAP, Ground



JEEP WRANGLER (TJ)

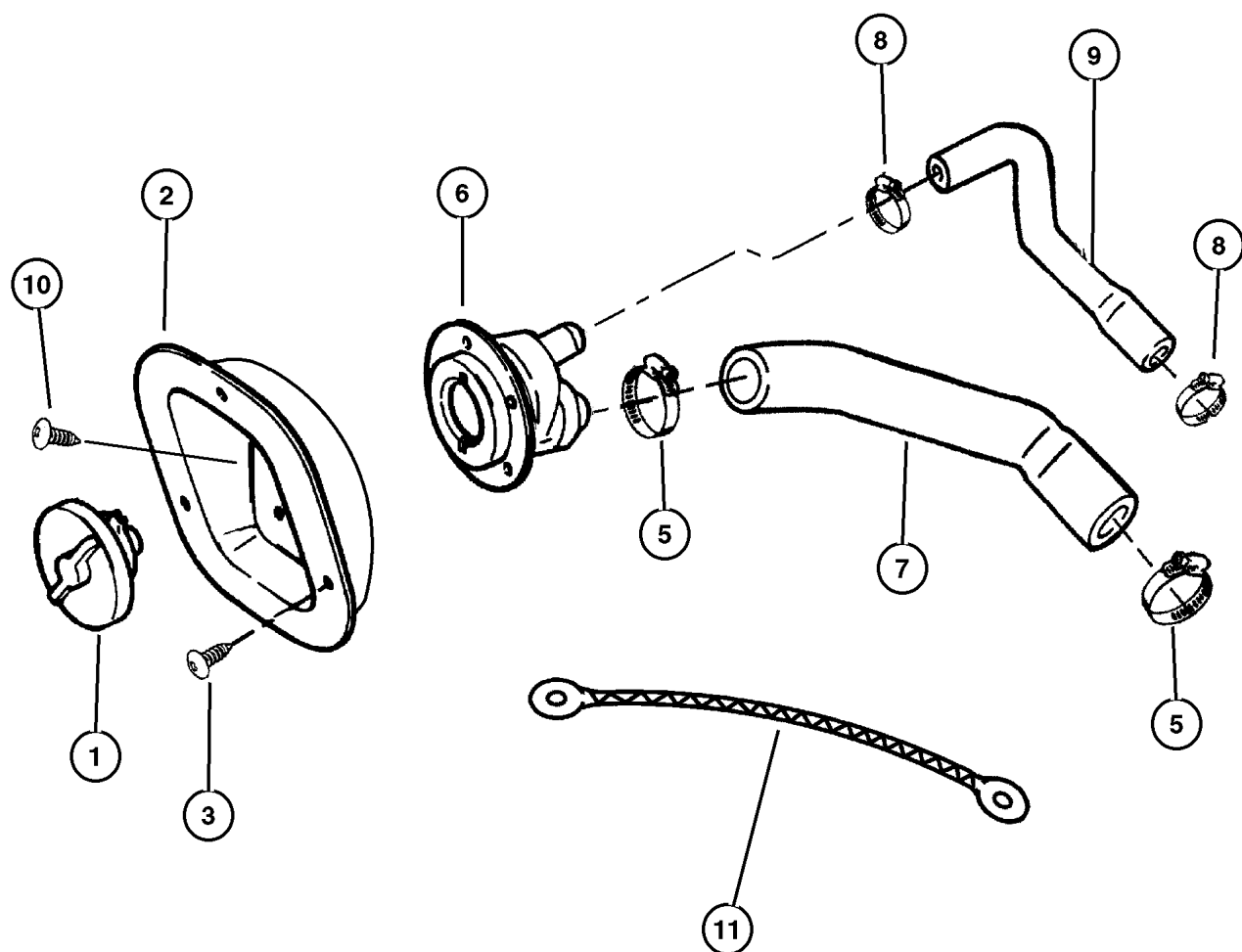
SERIES	LINE	BODY	ENGINE	TRANSMISSION
L=Low Line	J = Wrangler 4WD U = Wrangler 4WD (RHD)	77 = 93.4 WB	EPE, EP0 = 2.5L Power Tech ERH, ER0 = 4.0L Power Tech	DGG, DGD = 32RH 3 Spd. Auto. DDQ = 5 Spd. Manual DG0 = All Auto. Trans. DBB =All Manual Trans.

AR = Use as required - = Non illustrated part # = New this model year

June 7, 2002

Fuel Filler Tube 2.5L (EPE), 4.0L (ERH) Engine 1999 TJ
Figure 014-210

ITEM	PART NUMBER	QTY	LINE	SERIES	BODY	ENGINE	TRANS	DESCRIPTION
Note; EP0= All 2.5L Engines ER0= All 4.0L Engines								
1	52100 116AB	1						CAP, Fuel Filler Non Locking, Export Non Locking, Canada
	52127 863AB	1						Non Locking, Federal
	8220 2338	1						Locking
2	#52127 675AB	1						HOUSING, Fuel Filler
3								SCREW, [.190-16x.500], (NOT SERVICED)
-4	0153 651	4						SCREW AND WASHER, .190-16x.500
5	6502 090	1				EP0, ER0		CLAMP, Hose
6	5207 9325	1				EP0, ER0		TUBE, Fuel Filler Export
	52079 325AB	1				EP0, ER0		Federal, Canada, Europe
	5207 9326	1				EP0, ER0		Leaded Gas
7	52100 032AD	1				EP0, ER0		HOSE, Fuel Filler
8	J320 3077	1				EP0, ER0		CLAMP, Hose
9	52100 033AD	1				EP0, ER0		HOSE, Fuel Tank Vent
10	0153 832	4						SCREW, .190-16x1.00
11	5210 0212	1				EP0, ER0		STRAP, Ground



JEEP WRANGLER (TJ)

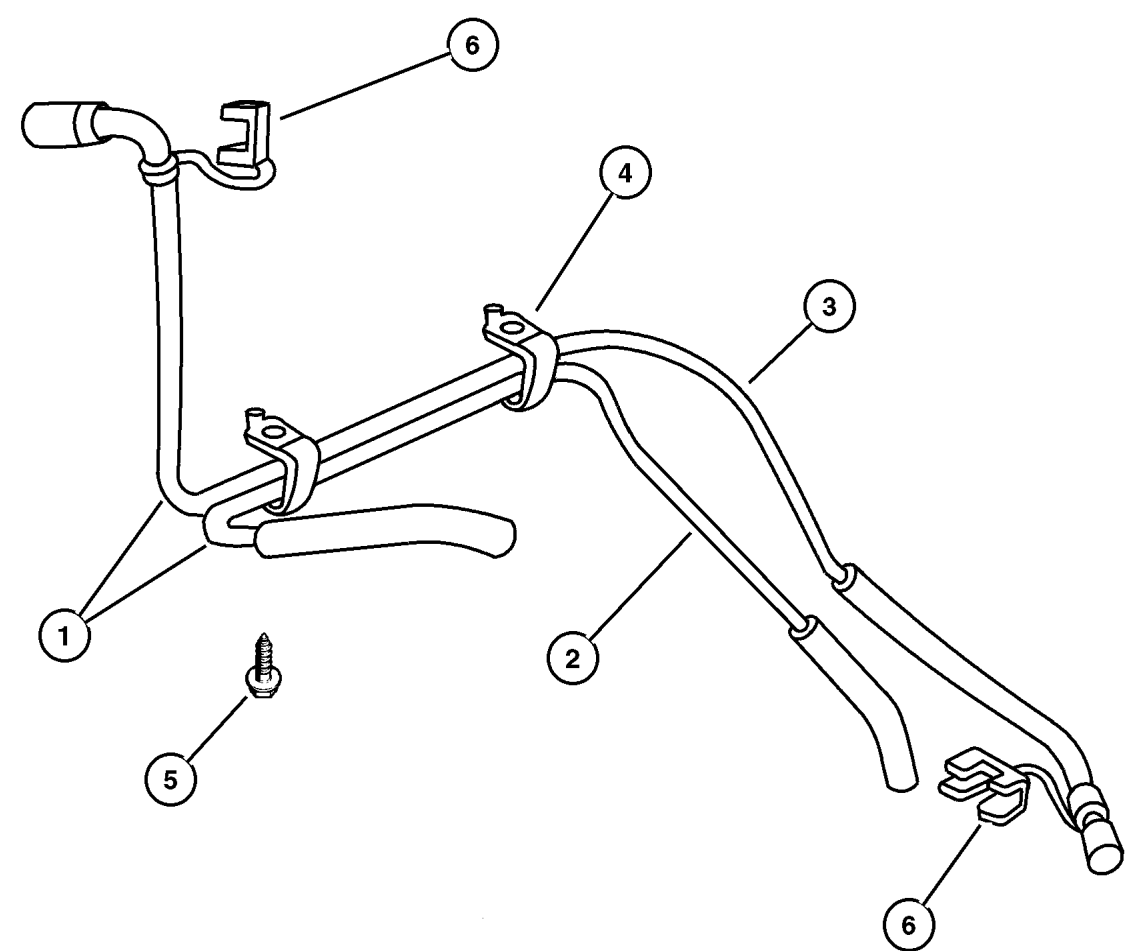
SERIES	LINE	BODY	ENGINE	TRANSMISSION
L=Low Line	J = Wrangler 4WD U = Wrangler 4WD (RHD)	77 = 93.4 WB	EPE, EP0 = 2.5L Power Tech ERH, ER0 = 4.0L Power Tech	DGG, DGD = 32RH 3 Spd. Auto. DDQ = 5 Spd. Manual DG0 = All Auto. Trans. DBB =All Manual Trans.

AR = Use as required - = Non illustrated part # = New this model year

June 7, 2002

Fuel Lines, Front 2.5L (EPE) Engine
Figure 014-310

ITEM	PART NUMBER	QTY	LINE	SERIES	BODY	ENGINE	TRANS	DESCRIPTION
Note; All 2.5L Engines								
1	5210 0245	1				EPO		BUNDLE, Fuel Line 1997 TJ, 1998 TJ
	#52100 278AE	1				EPO		1999 TJ
2								TUBE, Fuel
	5212 7628	1				EPO		1997 TJ
	52127 628AB	1				EPO		1998 TJ, 1999 TJ
3								TUBE, Fuel Vapor, Serviced in Fuel Bundle
								(NOT SERVICED), 1999 TJ
	52100 117AB	1				EPO		1997 TJ, 1998 TJ
4								CLIP, Fuel Line (NOT SERVICED), 1999 TJ
	6504 589	2				EPO		1997 TJ, 1998 TJ
5	6101 786	2				EPO		SCREW, Self Tapping, M6x1x15
6	5212 7788	2				EPO		CLIP, Fuel Line



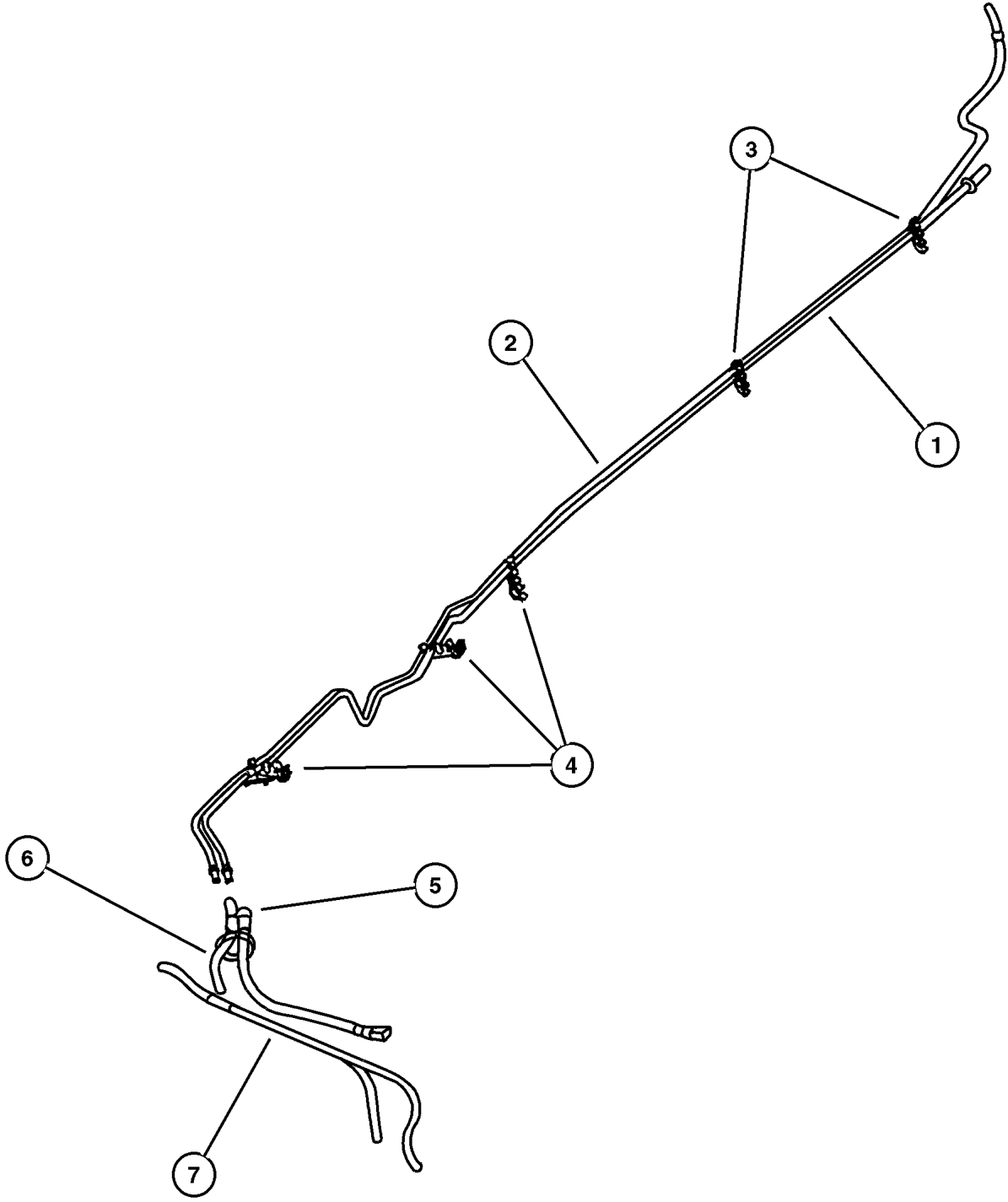
JEEP WRANGLER (TJ)				
SERIES	LINE	BODY	ENGINE	TRANSMISSION
L=Low Line	J = Wrangler 4WD U = Wrangler 4WD (RHD)	77 = 93.4 WB	EPE, EPO = 2.5L Power Tech ERH, ER0 = 4.0L Power Tech	DGG, DGD = 32RH 3 Spd. Auto. DDQ = 5 Spd. Manual DG0 = All Auto. Trans. DBB =All Manual Trans.

AR = Use as required - = Non illustrated part # = New this model year

June 7, 2002

**Fuel Lines, Rear 2.5L (EPE) Engine
Figure 014-320**

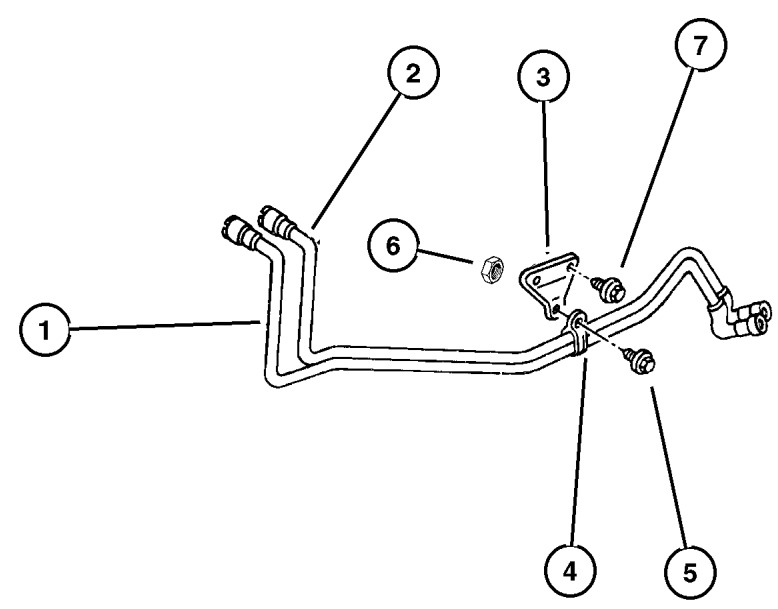
ITEM	PART NUMBER	QTY	LINE	SERIES	BODY	ENGINE	TRANS	DESCRIPTION
Note; EP0= All 2.5L Engines ER0= All 4.0L Engines								
1	5212 7502	1				EP0, ER0		TUBE, Fuel Supply
2	5212 7601	1				EP0, ER0		TUBE, Fuel Vapor
3	3420 2371	2				EP0, ER0		CLIP, Quad Tubes
4								CLIP, Five Way Fastener
	5200 7995	1				EP0, ER0		1997 TJ
		3				EP0, ER0		1998 TJ, 1999 TJ
5	5210 0167	1				EP0, ER0		BUNDLE, Fuel Line
6	HFV0 0316	1				EP0, ER0		HOSE, Fuel And Vapor, 25 Foot Roll 3/16"
7	52100 185AB	1				EP0, ER0		HOSE, Fuel Vapor



JEEP WRANGLER (TJ)				
SERIES	LINE	BODY	ENGINE	TRANSMISSION
L=Low Line	J = Wrangler 4WD U = Wrangler 4WD (RHD)	77 = 93.4 WB	EPE, EP0 = 2.5L Power Tech ERH, ER0 = 4.0L Power Tech	DGG, DGD = 32RH 3 Spd. Auto. DDQ = 5 Spd. Manual DGO = All Auto. Trans. DBB =All Manual Trans.

Fuel Lines, Front 4.0L (ERH) Engine 1997 TJ 1998 TJ
Figure 014-330

ITEM	PART NUMBER	QTY	LINE	SERIES	BODY	ENGINE	TRANS	DESCRIPTION
NOTE: ER0=All 4.0L Engines								
1	52100 164AC	1				ER0		TUBE, Fuel
2	52100 117AB	1				ER0		TUBE, Fuel Vapor
3	5200 7273	1				ER0		BRACKET, Fuel Line
4	6504 589	1				ER0		CLIP, Fuel Line
5	6501 714	1				ER0		SCREW AND WASHER, Hex Head, M6x1x18
6	6100 047	1				ER0		NUT AND WASHER, Hex Nut-Coned Washer, M6 x 1.00
7								SCREW, Hex Head Tapping, M6.3x1.81x16.00
	3420 1895	2				ER0		1997 TJ
		4						1998 TJ



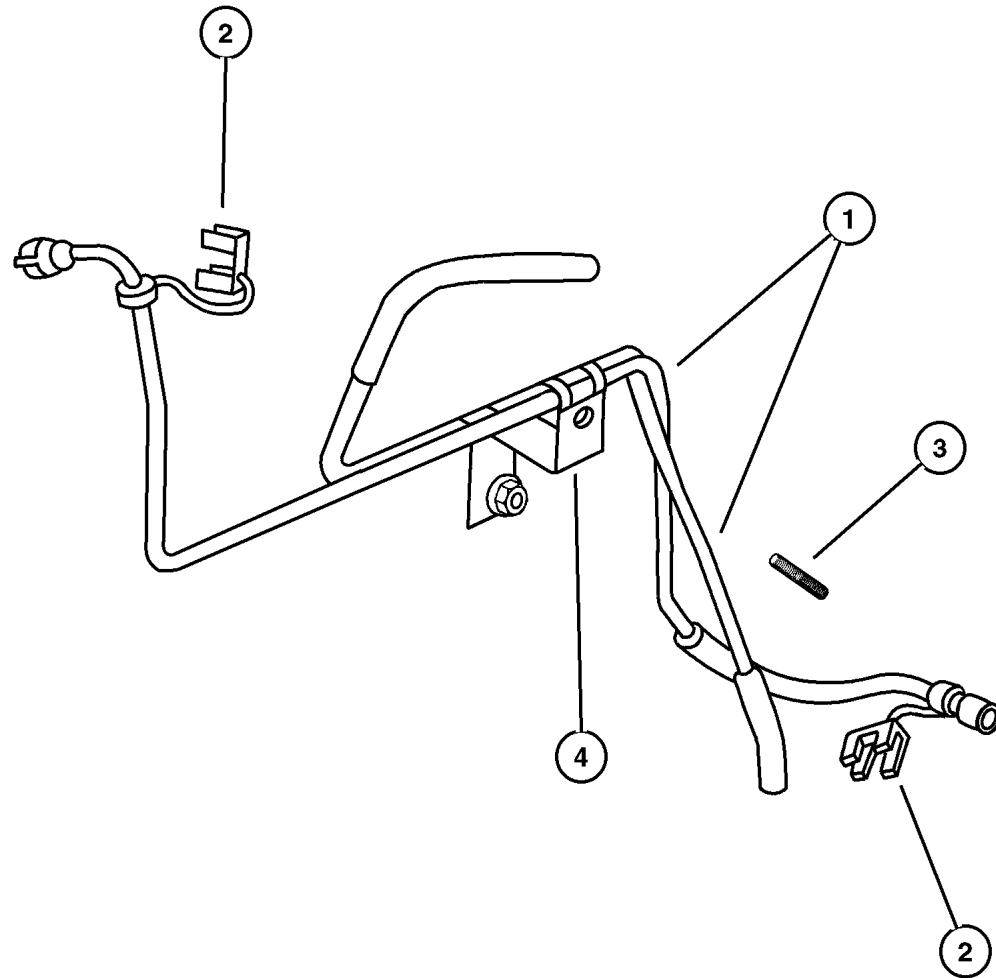
JEEP WRANGLER (TJ)				
SERIES	LINE	BODY	ENGINE	TRANSMISSION
L=Low Line	J = Wrangler 4WD U = Wrangler 4WD (RHD)	77 = 93.4 WB	EPE, EP0 = 2.5L Power Tech ERH, ER0 = 4.0L Power Tech	DGG, DGD = 32RH 3 Spd. Auto. DDQ = 5 Spd. Manual DG0 = All Auto. Trans. DBB =All Manual Trans.

AR = Use as required - = Non illustrated part # = New this model year

June 7, 2002

Fuel Lines, Front 4.0L Engine 1999 TJ
Figure 014-335

ITEM	PART NUMBER	QTY	LINE	SERIES	BODY	ENGINE	TRANS	DESCRIPTION
Note; ER0= All 4.0L Engines								
1	#52100 272AF	1				ER0		BUNDLE, Fuel Line
2	5212 7788	2				ER0		CLIP, Fuel Line
3	#6505 600AA	1				ER0		STUD
4								BRACKET, (NOT SERVICED)

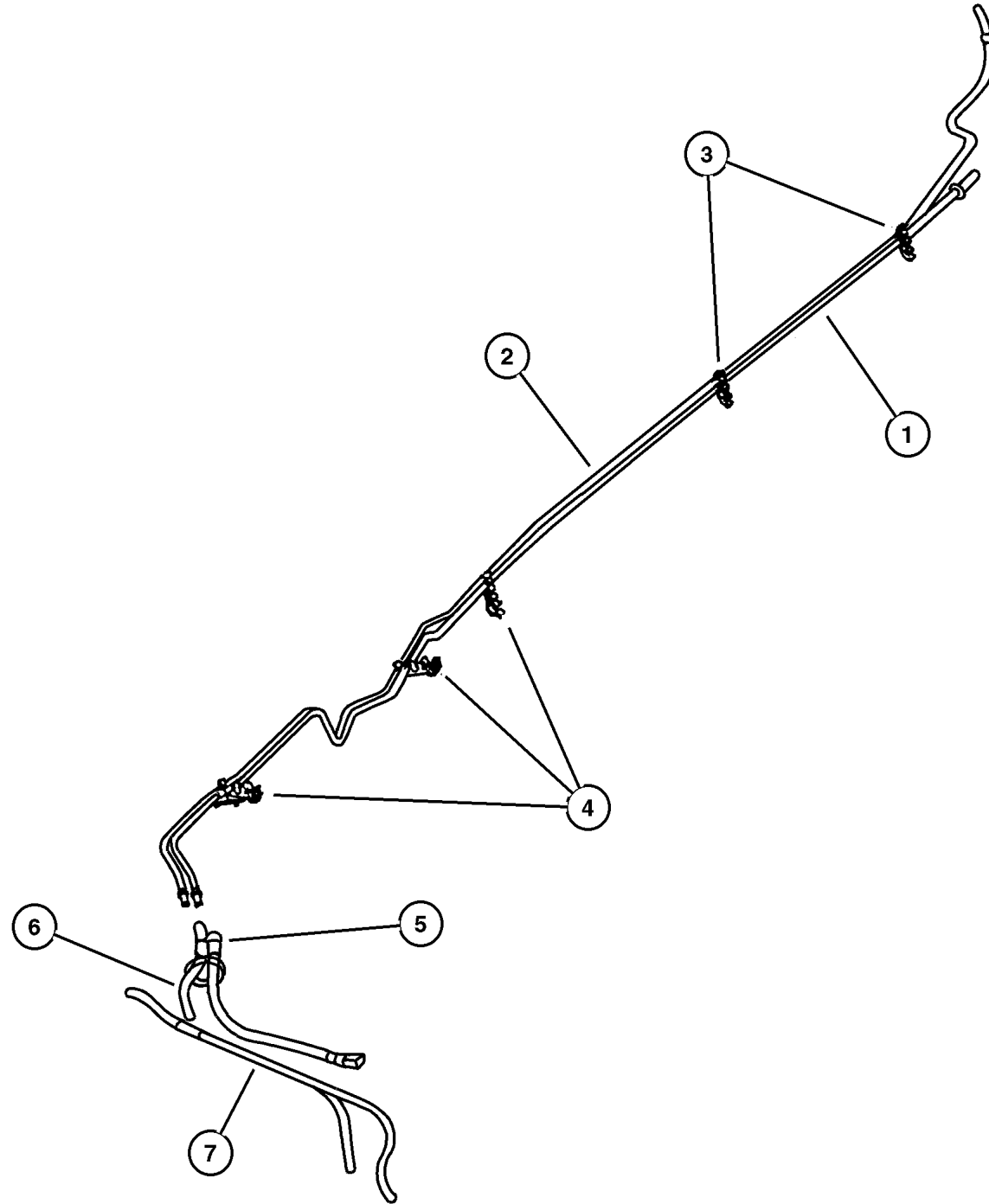


JEEP WRANGLER (TJ)				
SERIES	LINE	BODY	ENGINE	TRANSMISSION
L=Low Line	J = Wrangler 4WD U = Wrangler 4WD (RHD)	77 = 93.4 WB	EPE, EP0 = 2.5L Power Tech ERH, ER0 = 4.0L Power Tech	DGG, DGD = 32RH 3 Spd. Auto. DDQ = 5 Spd. Manual DG0 = All Auto. Trans. DBB =All Manual Trans.

AR = Use as required - = Non illustrated part # = New this model year

June 7, 2002

Fuel Lines, Rear 4.0L (ERH) Engine Figure 014-340



ITEM	PART NUMBER	QTY	LINE	SERIES	BODY	ENGINE	TRANS	DESCRIPTION
Note; EP0= All 2.5L Engines ER0= All 4.0L Engines								
1	5212 7502	1				EP0, ER0		TUBE, Fuel Supply
2	5212 7601	1				EP0, ER0		TUBE, Fuel Vapor
3	3420 2371	1				EP0, ER0		CLIP, Quad Tubes 1997 TJ
							2	1998 TJ, 1999 TJ
4	5200 7995	1				EP0, ER0		CLIP, Five Way Fastener 1997 TJ
							3	1998 TJ, 1999 TJ
5	5210 0167	1				EP0, ER0		BUNDLE, Fuel Line
6	HFV0 0316	1				EP0, ER0		HOSE, Fuel And Vapor, 25 Foot Roll 3/ 16"
7	52100 185AB	1				EP0, ER0		HOSE, Fuel Vapor

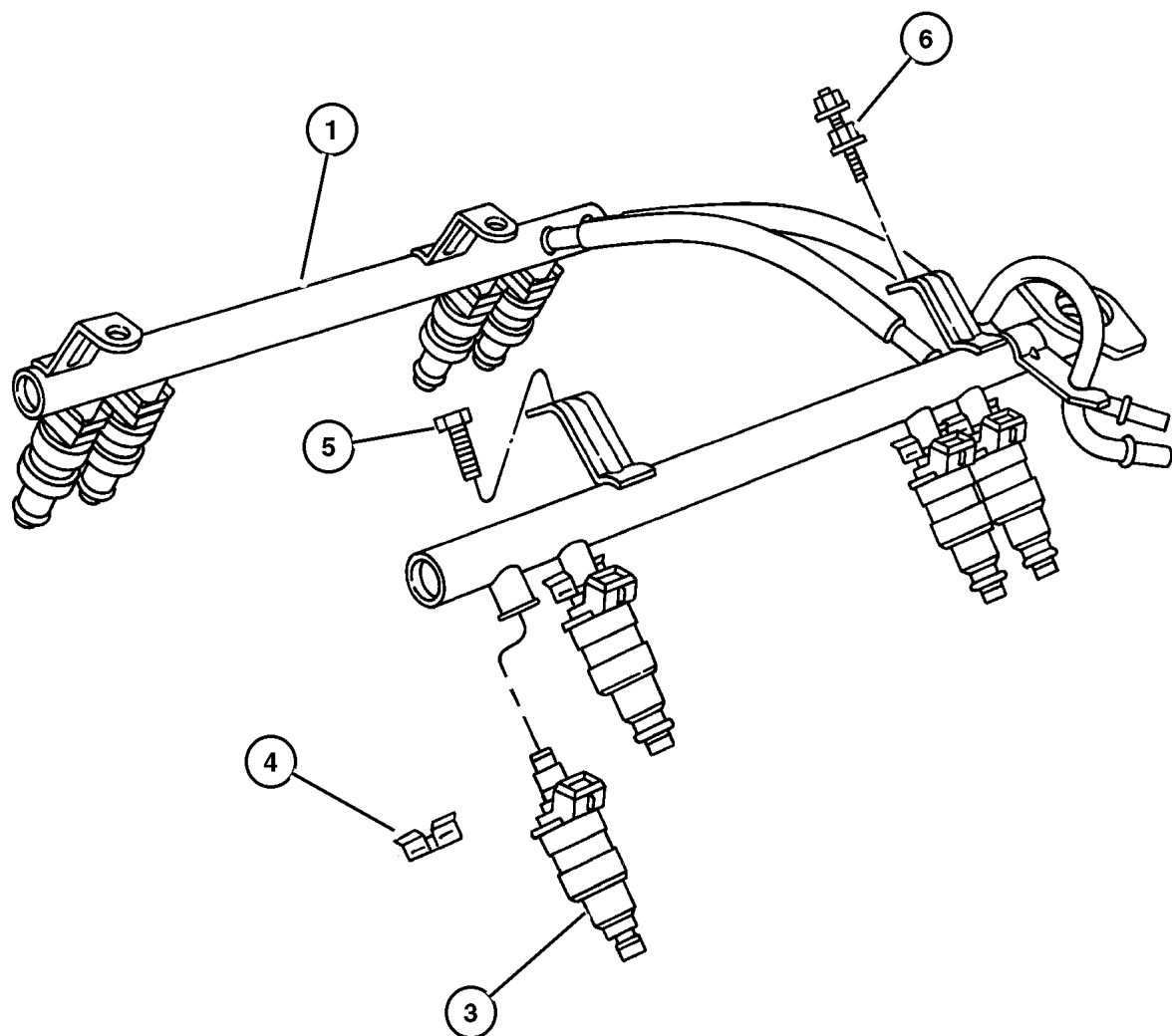
JEEP WRANGLER (TJ)

SERIES	LINE	BODY	ENGINE	TRANSMISSION
L=Low Line	J = Wrangler 4WD U = Wrangler 4WD (RHD)	77 = 93.4 WB	EPE, EP0 = 2.5L Power Tech ERH, ER0 = 4.0L Power Tech	DGG, DGD = 32RH 3 Spd. Auto. DDQ = 5 Spd. Manual DG0 = All Auto. Trans. DBB =All Manual Trans.

AR = Use as required - = Non illustrated part # = New this model year

June 7, 2002

Fuel Injection System 2.5L (EPE), 4.0L (ERH) Engine
Figure 014-410



ITEM	PART NUMBER	QTY	LINE	SERIES	BODY	ENGINE	TRANS	DESCRIPTION
Note; EP0= All 2.5L Engines								
ER0= All 4.0L Engines								
1								RAIL, Fuel
	5013 157AA	1				EP0		1999 TJ
	53013 017AB	1				EP0		1998 TJ
	5303 0699	1				ER0		
-2								RAIL PACKAGE, Fuel
	4883 378AC	1				EP0		(NOT REQUIRED), 1998 TJ, 1999 TJ 1997 TJ
3								INJECTOR, Fuel
	#4854 181	6				ER0		1999 TJ
	5303 0778	4				EP0		
		6				ER0		1997 TJ, 1998 TJ
4								CLIP, Fuel Injector
	4418 257	6				ER0		
		4				EP0		
5	6501 979	3				ER0		SCREW AND WASHER, Hex Head, M6x1x17
6	6502 086	2				EP0		STUD
-7								STUD, M6x1.00x44
	6502 647	1				ER0		1997 TJ, 1998 TJ
		2				ER0		1999 TJ
-8								CAP
	5018 781AA	1				ER0		Diagnostic Port
		1				EP0		Diagnostic Port, 1998 TJ, 1999 TJ

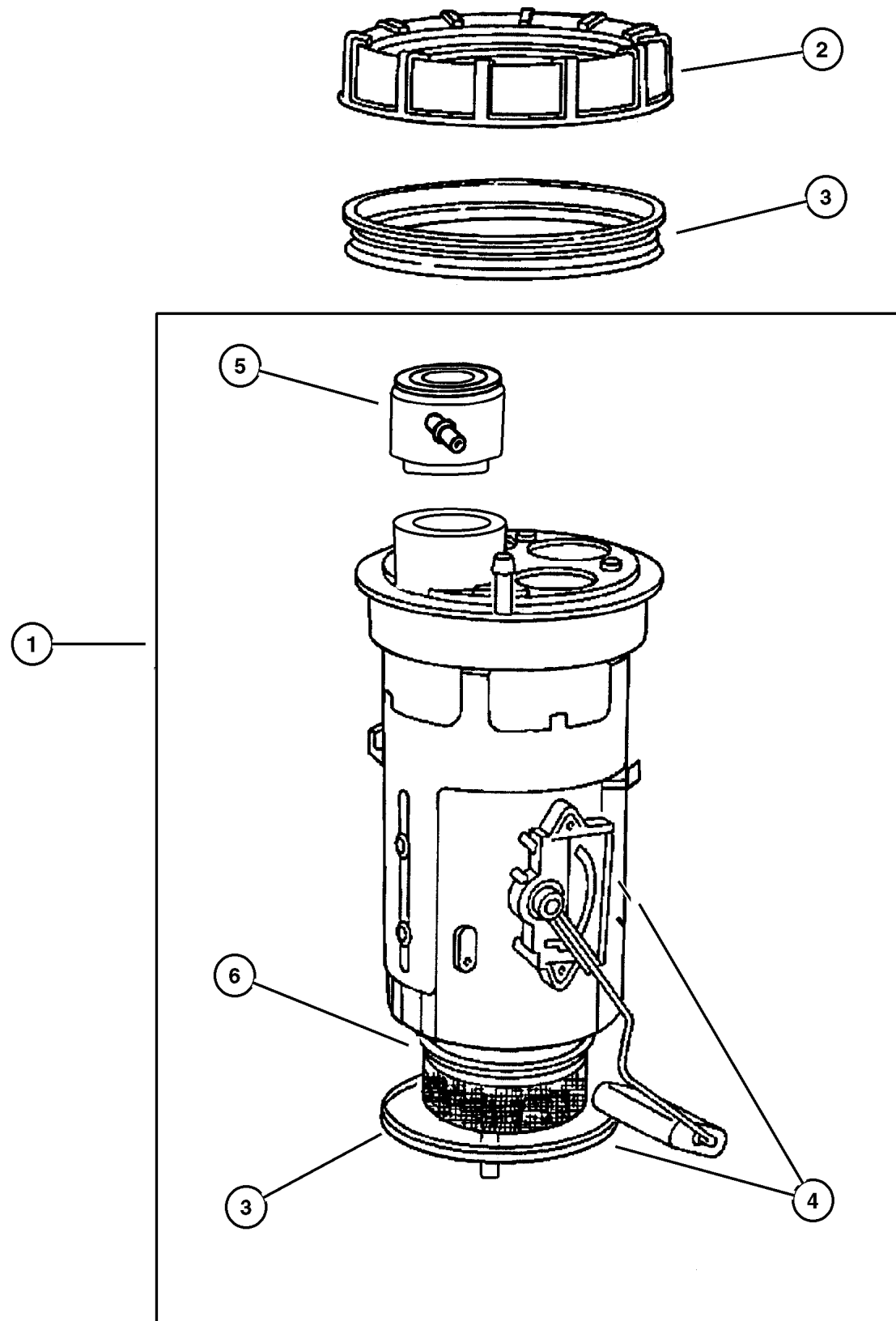
JEEP WRANGLER (TJ)

SERIES	LINE	BODY	ENGINE	TRANSMISSION
L=Low Line	J = Wrangler 4WD U = Wrangler 4WD (RHD)	77 = 93.4 WB	EPE, EP0 = 2.5L Power Tech ERH, ER0 = 4.0L Power Tech	DGG, DGD = 32RH 3 Spd. Auto. DDQ = 5 Spd. Manual DG0 = All Auto. Trans. DBB =All Manual Trans.

AR = Use as required - = Non illustrated part # = New this model year

June 7, 2002

Fuel Module 2.5L (EPE), 4.0L (ERH) Engine
Figure 014-510



ITEM	PART NUMBER	QTY	LINE	SERIES	BODY	ENGINE	TRANS	DESCRIPTION
Note; EP0= All 2.5L Engines ER0= All 4.0L Engines								
1	4897 754AB	1				EP0, ER0		MODULE PACKAGE, Fuel Tank 15 Gallon, 1997 TJ
	4897 755AB	1				EP0, ER0		19 Gallon, 1997 TJ
	5012 951AB	1				EP0, ER0		15 Gallon, 1998 TJ, 1999 TJ
	5012 952AB	1				EP0, ER0		19 Gallon, 1998 TJ, 1999 TJ
2	5200 5389	1				EP0, ER0		NUT, Fuel Pump Module
3	5201 8808	1				EP0, ER0		SEAL, Fuel Pump and Level Unit
4	4897 756AC	1				EP0, ER0		LEVEL UNIT PACKAGE, Fuel 15 Gallon, 1997 TJ
	4897 756AD	1				EP0, ER0		15 Gallon, 1998 TJ, 1999 TJ
	4897 757AB	1				EP0, ER0		19 Gallon, 1997 TJ
	4897 757AC	1				EP0, ER0		19 Gallon, 1998 TJ, 1999 TJ
5	4798 301	1				EP0, ER0		FILTER, Fuel
6								FILTER, Fuel Module, Serviced in Module Assembly, (NOT SERVICED)

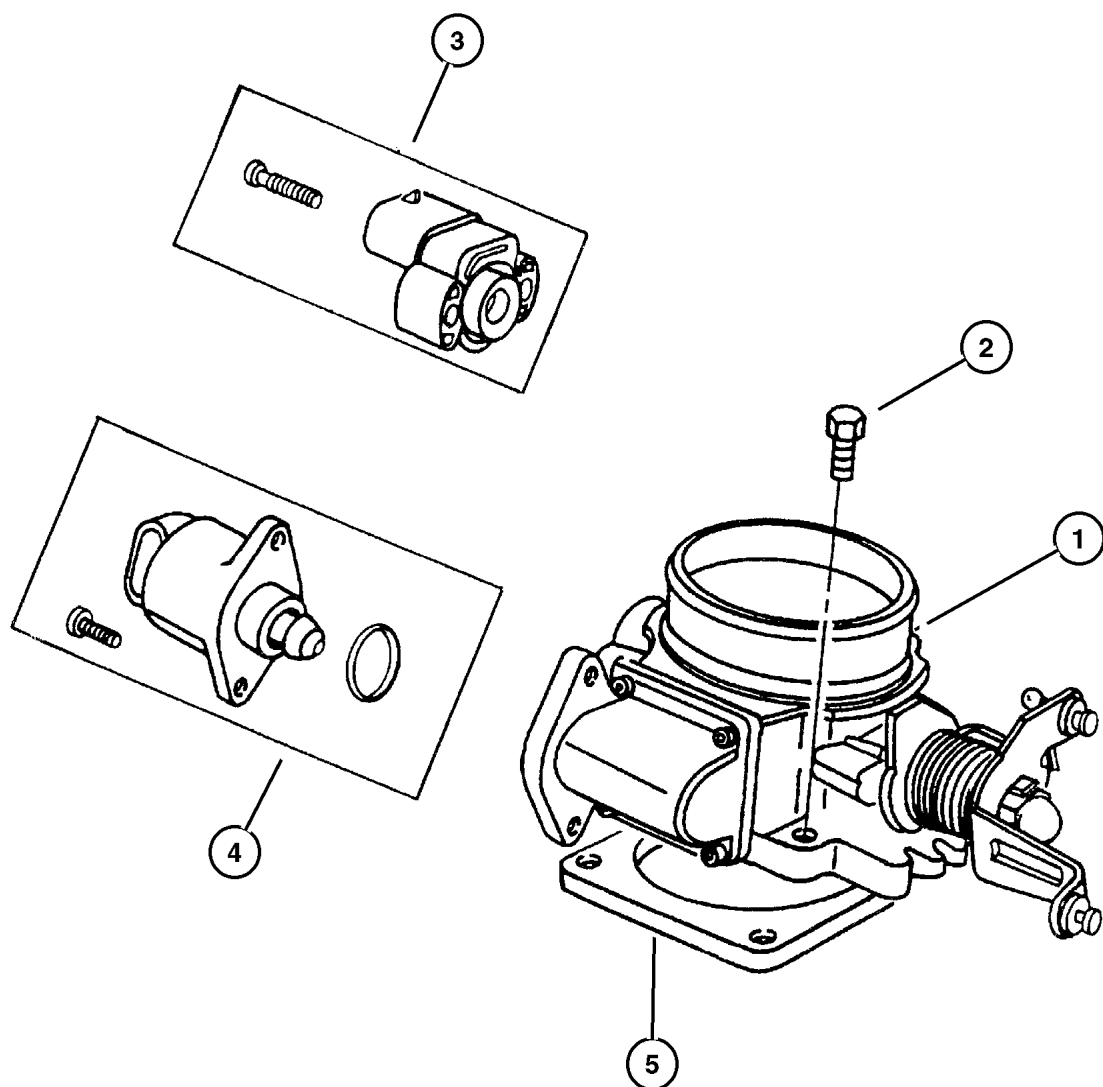
JEEP WRANGLER (TJ)

SERIES	LINE	BODY	ENGINE	TRANSMISSION
L=Low Line	J = Wrangler 4WD U = Wrangler 4WD (RHD)	77 = 93.4 WB	EPE, EP0 = 2.5L Power Tech ERH, ER0 = 4.0L Power Tech	DGG, DGD = 32RH 3 Spd. Auto. DDQ = 5 Spd. Manual DGO = All Auto. Trans. DBB =All Manual Trans.

AR = Use as required - = Non illustrated part # = New this model year

June 7, 2002

**Throttle Body 2.5L (EPE), 4.0L (ERH) Engine
Figure 014-610**



ITEM	PART NUMBER	QTY	LINE	SERIES	BODY	ENGINE	TRANS	DESCRIPTION
Note; EP0= All 2.5L Engines								
ER0= All 4.0L Engines								
1								THROTTLE BODY
	4856 106	1				EP0		1997 TJ
	4856 107	1				ER0		1997 TJ
	53032 016AC	1				EP0		1998 TJ
	#53032 016AD	1				EP0		1999 TJ
	53032 023AC	1				ER0		1998 TJ, 1999 TJ
2	6503 929	4				EP0,		SCREW AND WASHER, Coned Pilot,
						ER0		M6x1x30
3								SENSOR, Throttle Position
	4874 371AC	1				ER0		1998 TJ, 1999 TJ
		1				EP0		1998 TJ, 1999 TJ
	4874 371	1				EP0		Use This Number up to 7-24-97, 1997 TJ
		1				ER0		Use This Number up to 7-24-97, 1997 TJ
	4761 871AB	1				EP0		Use this Number After 7-24-97, 1997 TJ
		1				ER0		Use this Number After 7-24-97, 1997 TJ
4								MOTOR, Air Idle Speed (NOT REQUIRED), 1997 TJ
	4874 373	1				ER0		1999 TJ
		1				EP0		1999 TJ
	5303 0820	1				EP0		1998 TJ
	5303 0821	1				ER0		1998 TJ
5	5300 7543	1				EP0,		GASKET, Throttle Body
						ER0		

JEEP WRANGLER (TJ)

SERIES	LINE	BODY	ENGINE	TRANSMISSION
L=Low Line	J = Wrangler 4WD U = Wrangler 4WD (RHD)	77 = 93.4 WB	EPE, EP0 = 2.5L Power Tech ERH, ER0 = 4.0L Power Tech	DGG, DGD = 32RH 3 Spd. Auto. DDQ = 5 Spd. Manual DG0 = All Auto. Trans. DBB =All Manual Trans.

AR = Use as required - = Non illustrated part # = New this model year

June 7, 2002

**Throttle Controls 2.5L (EPE), 4.0L (ERH) Engine
Figure 014-710**

ITEM	PART NUMBER	QTY	LINE	SERIES	BODY	ENGINE	TRANS	DESCRIPTION
------	-------------	-----	------	--------	------	--------	-------	-------------

Note; DBB= All Manual Transmissions

DG0= All Automatic Transmissions

EP0= All 2.5L Engines

ER0= All 4.0L Engines

1	5210 4031	1				EP0, ER0	DG0	CABLE, Throttle Valve
2	4854 137	1				EP0, ER0		CABLE, Accelerator
3								GUIDE, Accelerator Cable
4	5207 9029	1				ER0		BRACKET, Accelerator Cable
	5300 7620	1				EP0		
	5300 7485	1				EP0		
5	5300 7486	1				ER0		1997 TJ, 1998 TJ
	#53013 160AA	1				ER0		1999 TJ
								SCREW AND WASHER, Hex Head, M6x1x17
6	6501 979	3				ER0		PLUG, Access Hole (NOT REQUIRED), 1998 TJ, 1999 TJ
		2				EP0		
7	4854 035	1				EN0		1997 TJ
	5207 8867	1				EP0, ER0	DG0	BRACKET, Cable
8	5300 9055	1				EP0, ER0	DG0	SPRING, Throttle Valve Return
								SCREW AND WASHER, .375-16x1.00
9	0181 112	1						1997 TJ
		1				EP0, ER0	DG0	1998 TJ, 1999 TJ
10	5207 8723	1				EP0, ER0	DG0	LEVER, Throttle Valve
	52078 723AB	1				EP0, ER0	DG0	1997 TJ
11	52078 723AB	1				EP0, ER0	DG0	1998 TJ, 1999 TJ
	52078 102AB	1				EP0, ER0	DBB	SPRING, Throttle Return
12	5207 8987	1	J			ER0		GUIDE, Accelerator Cable
13								NUT AND WASHER, Hex Nut-Coned Washer, M6 x 1.00
	6100 047	1				EP0		
		1				ER0		1997 TJ

JEEP WRANGLER (TJ)

SERIES
L=Low Line

LINE
J = Wrangler 4WD
U = Wrangler 4WD (RHD)

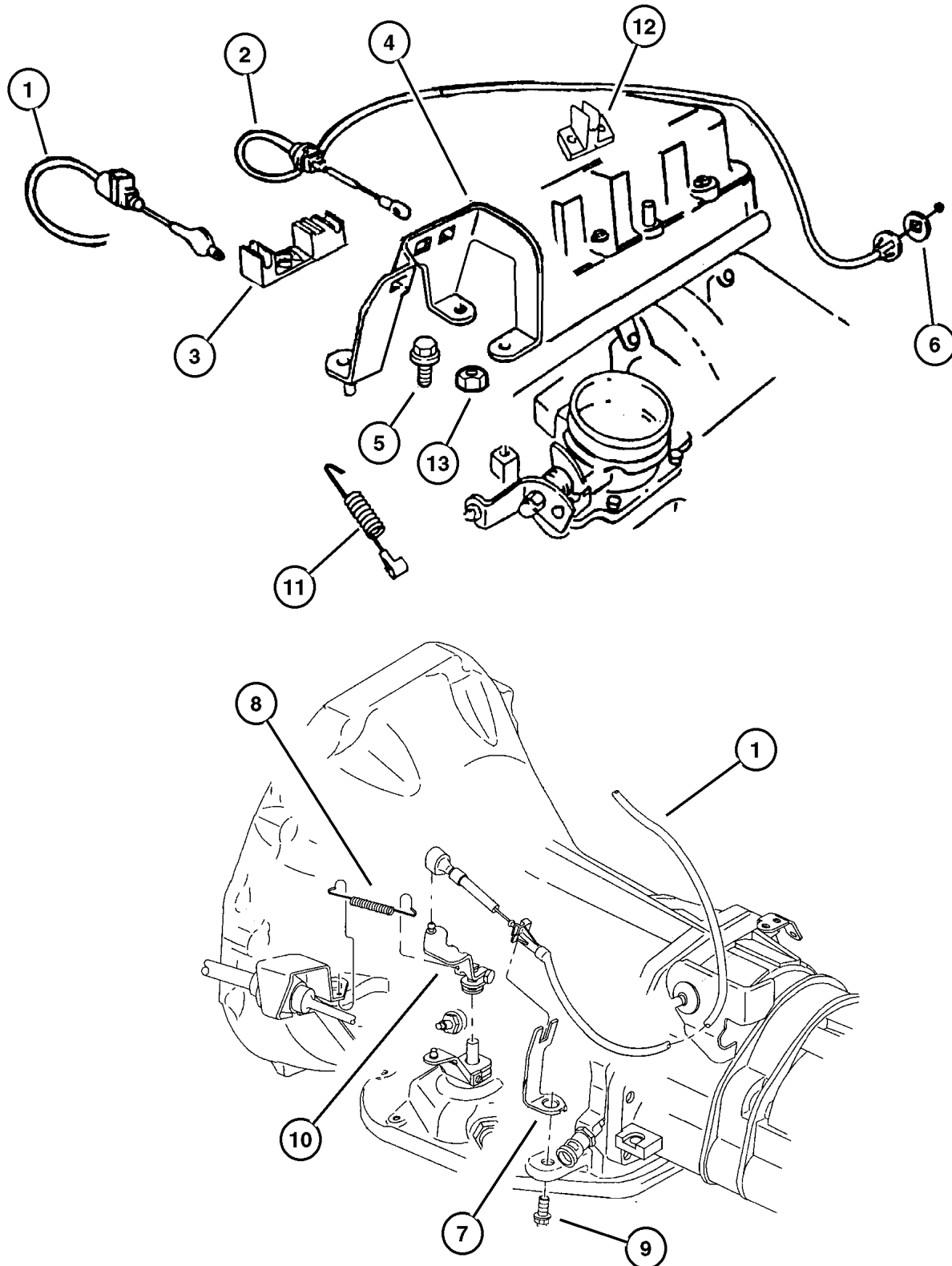
BODY
77 = 93.4 WB

ENGINE
EPE, EP0 = 2.5L Power Tech
ERH, ER0 = 4.0L Power Tech

TRANSMISSION
DGG, DGD = 32RH 3 Spd. Auto.
DDQ = 5 Spd. Manual
DG0 = All Auto. Trans.
DBB =All Manual Trans.

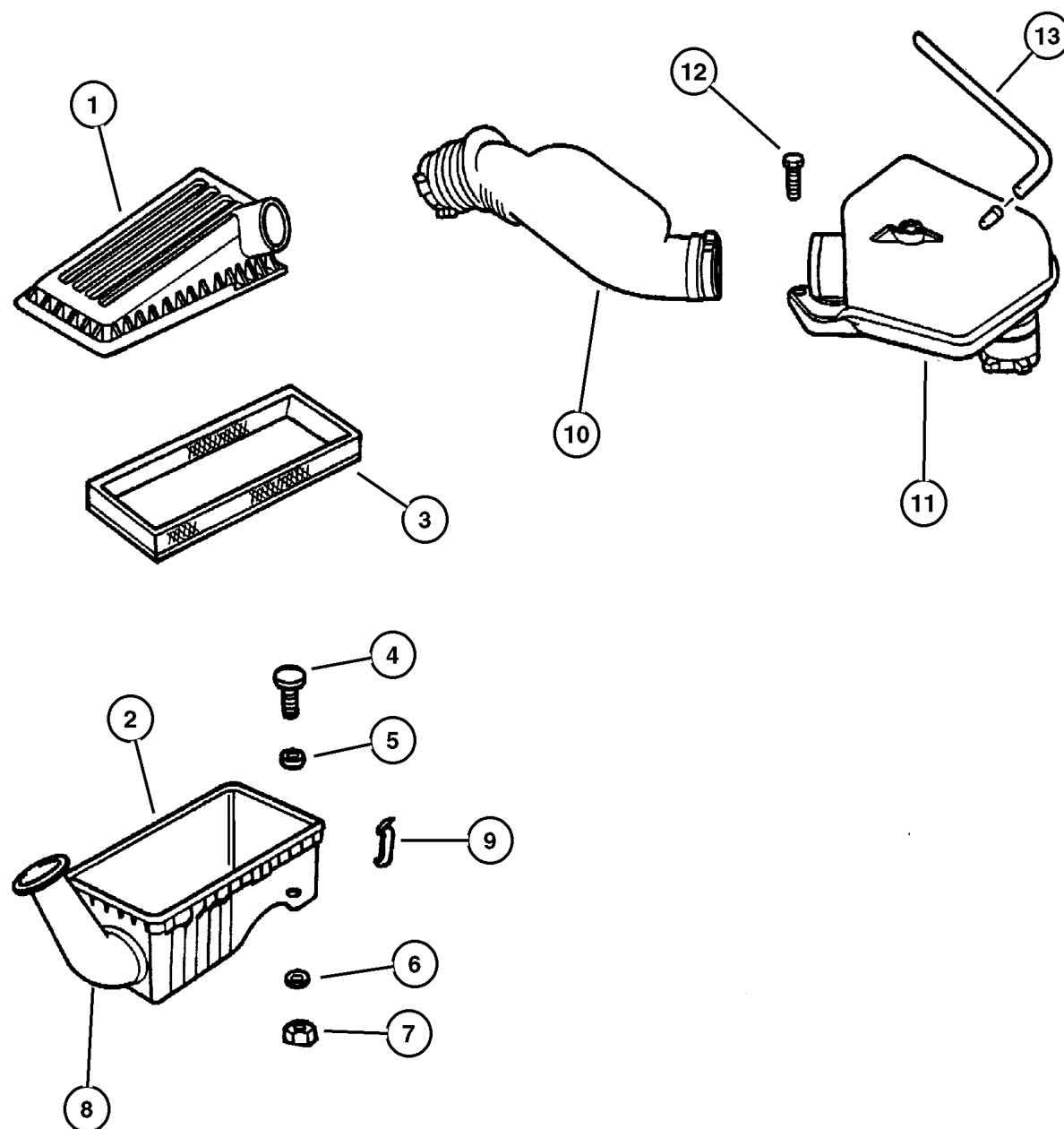
AR = Use as required - = Non illustrated part # = New this model year

June 7, 2002



**Air Cleaner 2.5L (EPE), 4.0L (ERH) Engine
Figure 014-810**

ITEM	PART NUMBER	QTY	LINE	SERIES	BODY	ENGINE	TRANS	DESCRIPTION
Note; EP0= All 2.5L Engines ER0= All 4.0L Engines								
1	4797 775	1				EP0, ER0		COVER, Air Cleaner
2	4797 776	1				EP0, ER0		BODY, Air Cleaner
3	4797 777	1				EP0, ER0		FILTER, Air
4	4797 779	3				EP0, ER0		STUD
5	4797 778	3				EP0, ER0		GROMMET, Air Cleaner Bracket
6	4797 781	3				EP0, ER0		WASHER
7	3420 1358	3				EP0, ER0		NUT AND WASHER, Hex Nut-Sealing Washer, M6 x 1.00
8	4797 782	1				EP0, ER0		DUCT, Air Cleaner
9	4797 836	1				EP0, ER0		CLIP, Air Inlet Grille 1997 TJ, 1998 TJ 1999 TJ
10	5303 0610	1				EP0		HOSE, Air Cleaner
	5303 0611	1				ER0		
11	5303 0759	1				EP0		RESONATOR, Air Cleaner
12	6504 503	2				EP0		SCREW, Hex Flange Head
13	5303 0614	1				EP0		TUBE, Crankcase Vent Valve
	5303 0615	1				ER0		



JEEP WRANGLER (TJ)

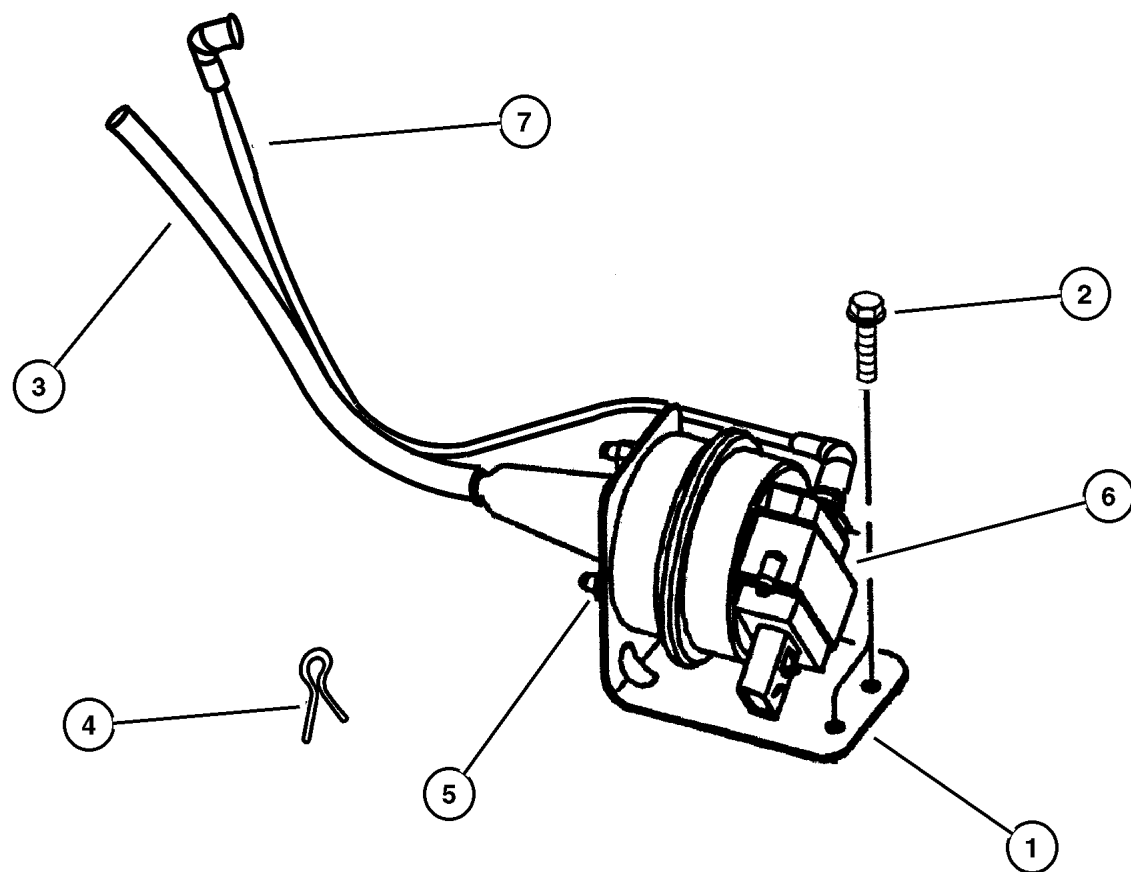
SERIES	LINE	BODY	ENGINE	TRANSMISSION
L=Low Line	J = Wrangler 4WD U = Wrangler 4WD (RHD)	77 = 93.4 WB	EPE, EP0 = 2.5L Power Tech ERH, ER0 = 4.0L Power Tech	DGG, DGD = 32RH 3 Spd. Auto. DDQ = 5 Spd. Manual DG0 = All Auto. Trans. DBB =All Manual Trans.

AR = Use as required - = Non illustrated part # = New this model year

June 7, 2002

Speed Control 1998 TJ 1999 TJ
Figure 014-1010

ITEM	PART NUMBER	QTY	LINE	SERIES	BODY	ENGINE	TRANS	DESCRIPTION
1								BRACKET, Speed Control Servo
	4854 155	1	J					
	53013 058AA	1	U					
2								SCREW, M6x1.00x20.00, (NOT SERVICED)
3								CABLE, Speed Control
	4854 156	1	J					
	53013 059AA	1	U					
4								CLIP, Cable
	6025 867	1	J					
		1	U					
5								NUT, Hex Flange Serration, M6x1
	6502 493	2	J					
		2	U					
6								SERVO, Speed Control
	4669 979	1	J					
		1	U					
7								HARNESS, Speed Control Vacuum
	53013 010AA	1	J					
	53013 063AA	1	U					



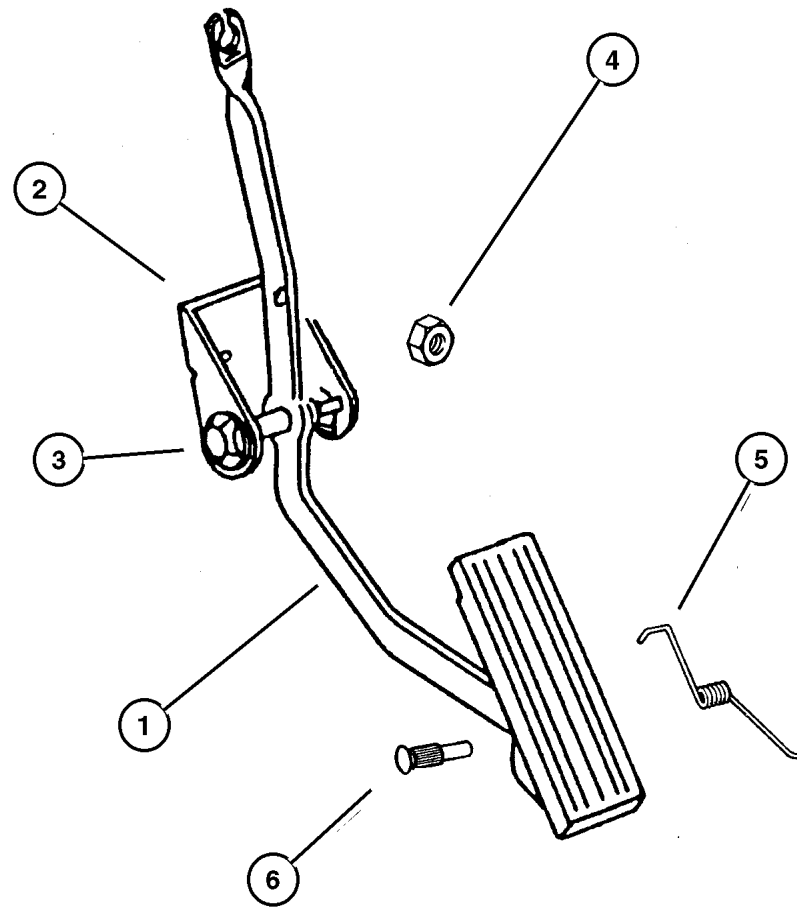
JEEP WRANGLER (TJ)

SERIES	LINE	BODY	ENGINE	TRANSMISSION
L=Low Line	J = Wrangler 4WD U = Wrangler 4WD (RHD)	77 = 93.4 WB	EPE, EP0 = 2.5L Power Tech ERH, ER0 = 4.0L Power Tech	DGG, DGD = 32RH 3 Spd. Auto. DDQ = 5 Spd. Manual DG0 = All Auto. Trans. DBB =All Manual Trans.

AR = Use as required - = Non illustrated part # = New this model year

June 7, 2002

**Accelerator Pedal 2.5L (EPE), 4.0L (ERH) Engine
Figure 014-1110**



ITEM	PART NUMBER	QTY	LINE	SERIES	BODY	ENGINE	TRANS	DESCRIPTION
Note; EP0= All 2.5L Engines ER0= All 4.0L Engines								
1	5207 8714	1	J			EP0, ER0		PEDAL, Accelerator
	5207 8715	1	U			EP0, ER0		
2								BRACKET, Accelerator Cable, Serviced in Pedal Assembly, (NOT SERVICED)
3	5207 8653	2	J			EP0, ER0		BUSHING, Accelerator Pedal
		2	U			EP0, ER0		
4	3420 1680	2						NUT, Hex Flange, M6x1
5	5303 0874	1	J			EP0, ER0		SPRING, Torsion
		1	U			EP0, ER0		
6	5207 9019	1	J			EP0, ER0		PIN, Accelerator Pedal Mtg.
		1	U			EP0, ER0		

JEEP WRANGLER (TJ)

SERIES	LINE	BODY	ENGINE	TRANSMISSION
L=Low Line	J = Wrangler 4WD U = Wrangler 4WD (RHD)	77 = 93.4 WB	EPE, EP0 = 2.5L Power Tech ERH, ER0 = 4.0L Power Tech	DGG, DGD = 32RH 3 Spd. Auto. DDQ = 5 Spd. Manual DG0 = All Auto. Trans. DBB =All Manual Trans.

AR = Use as required - = Non illustrated part # = New this model year

June 7, 2002

Group – 016

Propeller Shafts and U-Joints

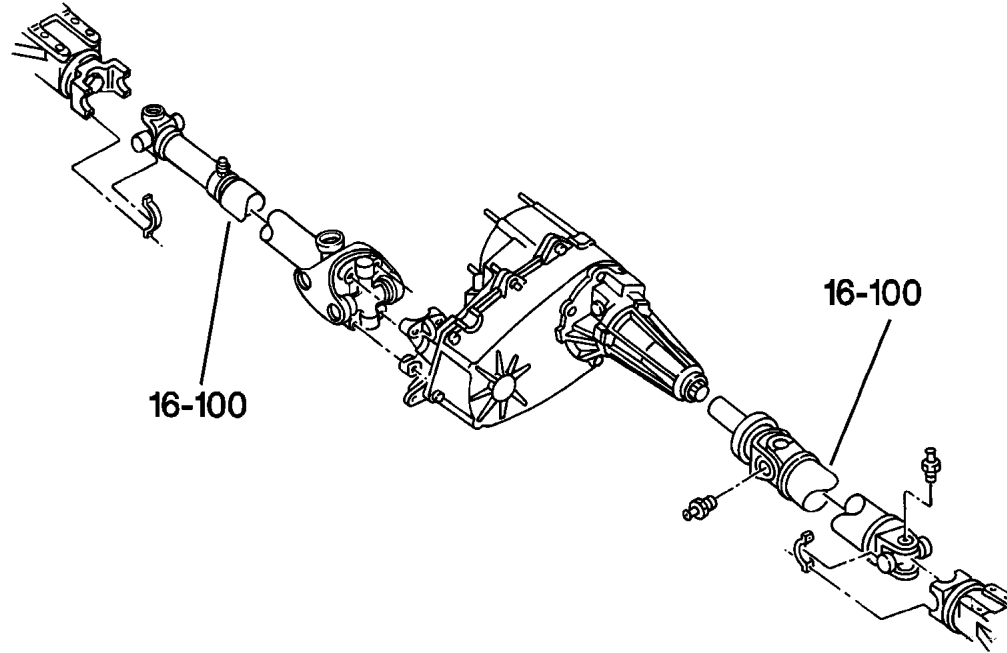
GROUP 16 - Propeller Shafts and U-Joints

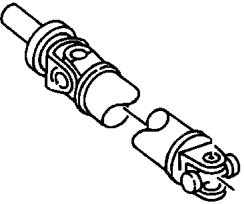
Illustration Title

Group-Fig. No.

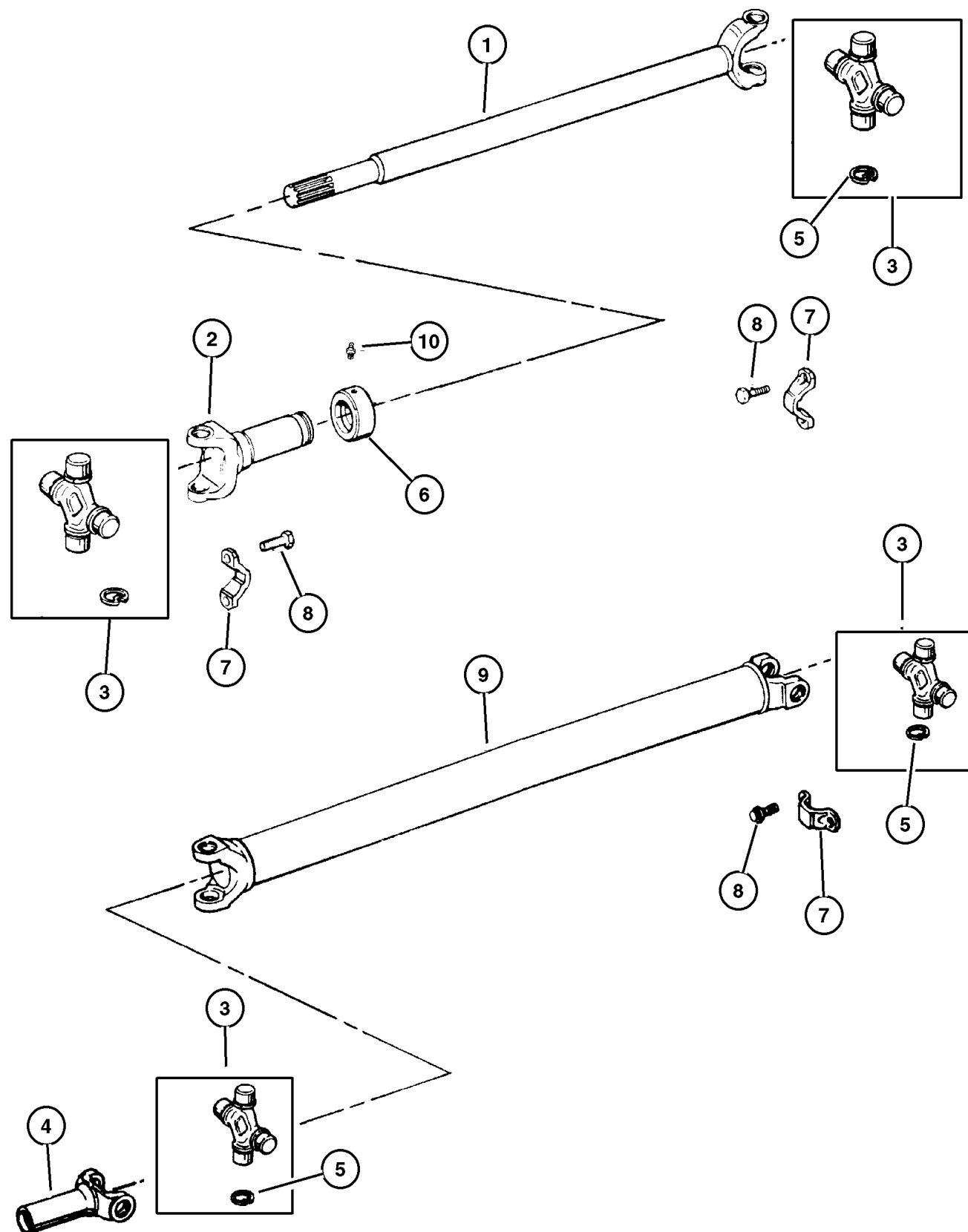
Propeller Shaft

Propeller Shaft and Universal Joint Wrangler (TJ) 1997 TJ	Fig. 016-110
Propeller Shaft and Universal Joint Wrangler (TJ) 1998 TJ	Fig. 016-110
Propeller Shaft,Front and Rear 1999 TJ	Fig. 016-110



<p>016-100 Propeller Shaft</p> 			
---	--	--	--

Propeller Shaft and Universal Joint Wrangler (TJ) 1997 TJ
Figure 016-110



ITEM	PART NUMBER	QTY	LINE	SERIES	BODY	ENGINE	TRANS	DESCRIPTION
Note:								
DBB = All Manual Transmissions								
DG0 = All Automatic Transmissions								
DRJ = Rear Axle - Dana M35/194MM RBI								
DRK = Rear Axle - Dana M44/216MM RBA								
ENC = 2.5L 4 Cyl Turbo Diesel Engine								
EN0 = All 4/5 Cyl Turbo Diesel Engines								
EP0 = All 2.5L 4 Cyl Gas Engines								
ER0 = All 4.0L 6 Cyl Gas Engines								
1								SHAFT, Drive
	5209 8377	1				ENC, ER0	DBB	
	5209 8378	1				EP0		
		1				ER0	DG0	
2								YOKE, Drive Shaft, Slip (Serv. in Assy.), (NOT SERVICED)
3								U JOINT
	4882 793	1				EP0		U-Joint
		1				ER0	DBB	U-Joint
		1				ER0	DG0	U-Joint
		1	J		77	EN0, DBB		U-Joint
		1	U		77	ER0 EN0, ER0	DBB	U-Joint
4								YOKE, Drive Shaft, Slip (Serv. In Assy.), (NOT SERVICED)
5								RING, Snap, (Serv. In Assy.), (NOT SERVICED)
6								SEAL, (Serv. In Assy.), (NOT SERVICED)
7	J324 0553	2						STRAP, Prop Shaft
8	J400 6928	4						BOLT
9								SHAFT, Drive
	5209 8783	1				EP0		DRJ
		1				ER0	DG0	DRJ
	5209 8784	1				ER0	DBB	DRJ (U-Joint Serviced in Assy.)
	5209 8785	1				EP0		DRK
		1				ER0	DG0	DRK
	5209 8787	1				ER0	DBB	DRK
10								FITTING PACKAGE, Grease
	8350 7064	1	U					Grease
		1	J					Grease
-11	6034 966	4						BOLT, .312-24x1.170

JEEP WRANGLER (TJ)				
SERIES	LINE	BODY	ENGINE	TRANSMISSION
L=Low Line	J = Wrangler 4WD U = Wrangler 4WD (RHD)	77 = 93.4 WB	EPE, EP0 = 2.5L Power Tech ERH, ER0 = 4.0L Power Tech	DGG, DGD = 32RH 3 Spd. Auto. DDQ = 5 Spd. Manual DG0 = All Auto. Trans. DBB =All Manual Trans.

Propeller Shaft and Universal Joint Wrangler (TJ) 1998 TJ
Figure 016-110

ITEM	PART NUMBER	QTY	LINE	SERIES	BODY	ENGINE	TRANS	DESCRIPTION
------	-------------	-----	------	--------	------	--------	-------	-------------

Note:

- DBB = All Manual Transmissions
- DG0 = All Automatic Transmissions
- DRJ = Rear Axle - Dana M35/194MM RBI
- DRK = Rear Axle - Dana M44/216MM RBA
- ENC = 2.5L 4 Cyl Turbo Diesel Engine
- EN0 = All 4/5 Cyl Turbo Diesel Engines
- EPO = All 2.5L 4 Cyl Gas Engines
- ER0 = All 4.0L 6 Cyl Gas Engines

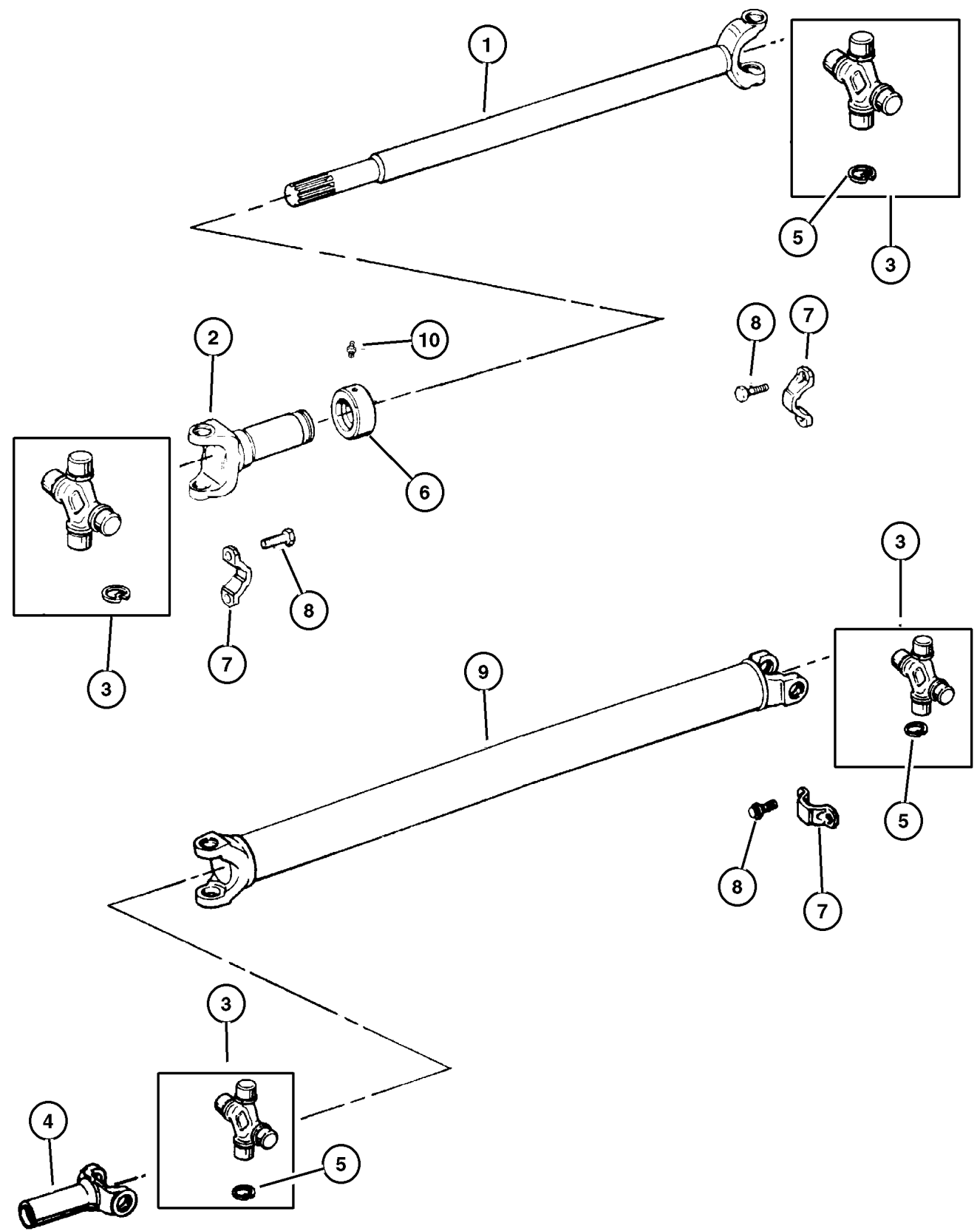
1								SHAFT, Drive
	5209 8377	1				ER0	DBB	
	5209 8378	1				EPO		
		1				ER0	DG0	
2								YOKE, Drive Shaft, Slip (Serv. in Assy.), (NOT SERVICED)
3	4882 793	1				EPO		U JOINT
4								YOKE, Drive Shaft, Slip (Serv. In Assy.), (NOT SERVICED)
5								RING, Snap, (Serv. In Assy.), (NOT SERVICED)
6								SEAL, (Serv. In Assy.), (NOT SERVICED)
7	J324 0553	2						STRAP, Prop Shaft
8	J400 6928	4						BOLT
9								SHAFT, Drive
	5209 8783	1				EPO		w/4.0L w/Auto Trans (DRJ)
	5209 8784	1				EN0, ER0	DBB	w/4.0L w/Man (DRJ)
	5209 8785	1				EPO		w/4.0L w/Auto Trans (DRK)
	5209 8787	1				EN0, ER0	DBB	w/4.0L w/Man (DRK)
10	8350 7064	1	J					FITTING PACKAGE, Grease
-11	6034 966	4						BOLT, .312-24x1.170

JEEP WRANGLER (TJ)

SERIES	LINE	BODY	ENGINE	TRANSMISSION
L=Low Line	J = Wrangler 4WD U = Wrangler 4WD (RHD)	77 = 93.4 WB	EPE, EPO = 2.5L Power Tech ERH, ER0 = 4.0L Power Tech	DGG, DGD = 32RH 3 Spd. Auto. DDQ = 5 Spd. Manual DG0 = All Auto. Trans. DBB =All Manual Trans.

AR = Use as required - = Non illustrated part # = New this model year

June 7, 2002



Propeller Shaft,Front and Rear 1999 TJ
Figure 016-110

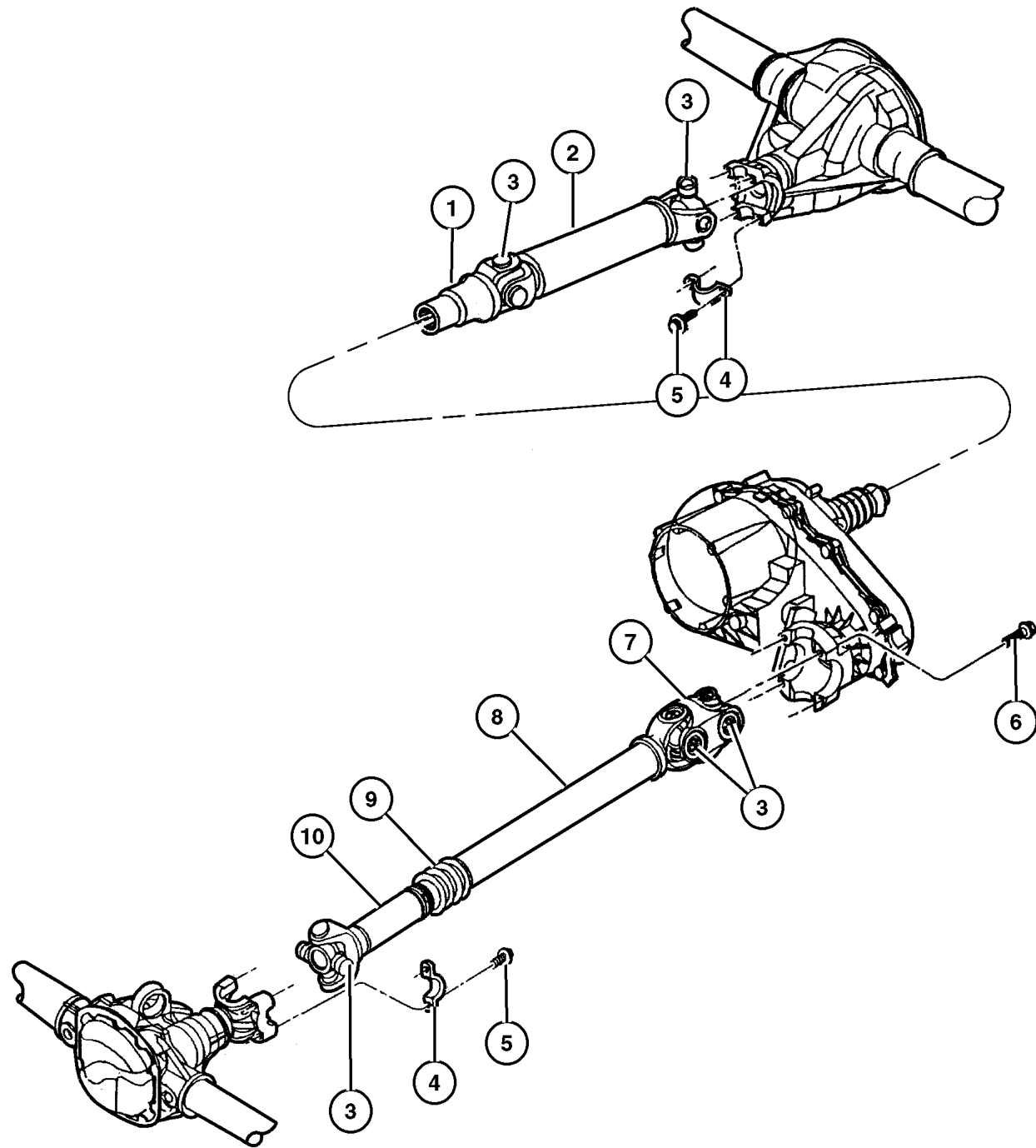
ITEM	PART NUMBER	QTY	LINE	SERIES	BODY	ENGINE	TRANS	DESCRIPTION
Note: EP0=All 2.5L 4 Cylinder Gas Engines---ER0=All 4.0L 6 Cylinders Gas Engines---DBB=All Manual Transmissions---DG0=All Automatic Transmissions---DRJ=Dana 35 Rear Axle---DRK=Dana 44 Rear Axle								
1								YOKE, Drive Shaft
	4882 714	1				EP0		[DRJ], Rear
		1				ER0	DBB	[DRJ], Rear
		1				ER0	DG0	[DRJ], Rear
		1				EP0		[DRK], Rear
		1				ER0	DBB	[DRK], Rear
		1				ER0	DG0	[DRK], Rear
2								SHAFT, Drive
	52098 783AB	1				EP0		[DRJ], Rear
	52098 784AB	1				ER0	DBB	[DRJ], Rear
	52098 783AB	1				ER0	DG0	[DRJ], Rear
	52098 785AB	1				EP0		[DRK], Rear
	52098 787AB	1				ER0	DBB	[DRK], Rear
	52098 785AB	1				ER0	DG0	[DRK], Rear
3								U JOINT
	4882 793	2				EP0		[DRJ], Rear
		2				ER0	DBB	[DRJ], Rear
		2				ER0	DG0	[DRJ], Rear
		2				EP0		[DRK], Rear
		2				ER0	DBB	[DRK], Rear
		2				ER0	DG0	[DRK], Rear
4	J324 0553	2						STRAP, Prop Shaft, Rear Prop Shaft to Rear Axle Yoke, Rear
5	J400 6928	4						BOLT, Rear Prop Shaft to Rear Axle Yoke, Rear
6	6034 966	4						BOLT, .312-24x1.170, Front Prop Shaft to Transfer Case Yoke
7								YOKE, Drive Shaft
	J813 0296	1				EP0		with Shaft 52098378
		1				ER0	DG0	with Shaft 52098378
8								SHAFT, Drive
	5209 8378	1				EP0		Front
	5209 8377	1				ER0	DBB	Front
	5209 8378	1				ER0	DG0	Front
9								BOOT, Driveshaft
	5012 793AA	1				EP0		Front
		1				ER0	DBB	Front
		1				ER0	DG0	Front
10								YOKE, Drive Shaft
	5010 030AA	1				EP0		Front
		1				ER0	DBB	Front

JEEP WRANGLER (TJ)

SERIES	LINE	BODY	ENGINE	TRANSMISSION
L=Low Line	J = Wrangler 4WD U = Wrangler 4WD (RHD)	77 = 93.4 WB	EPE, EP0 = 2.5L Power Tech ERH, ER0 = 4.0L Power Tech	DGG, DGD = 32RH 3 Spd. Auto. DDQ = 5 Spd. Manual DG0 = All Auto. Trans. DBB =All Manual Trans.

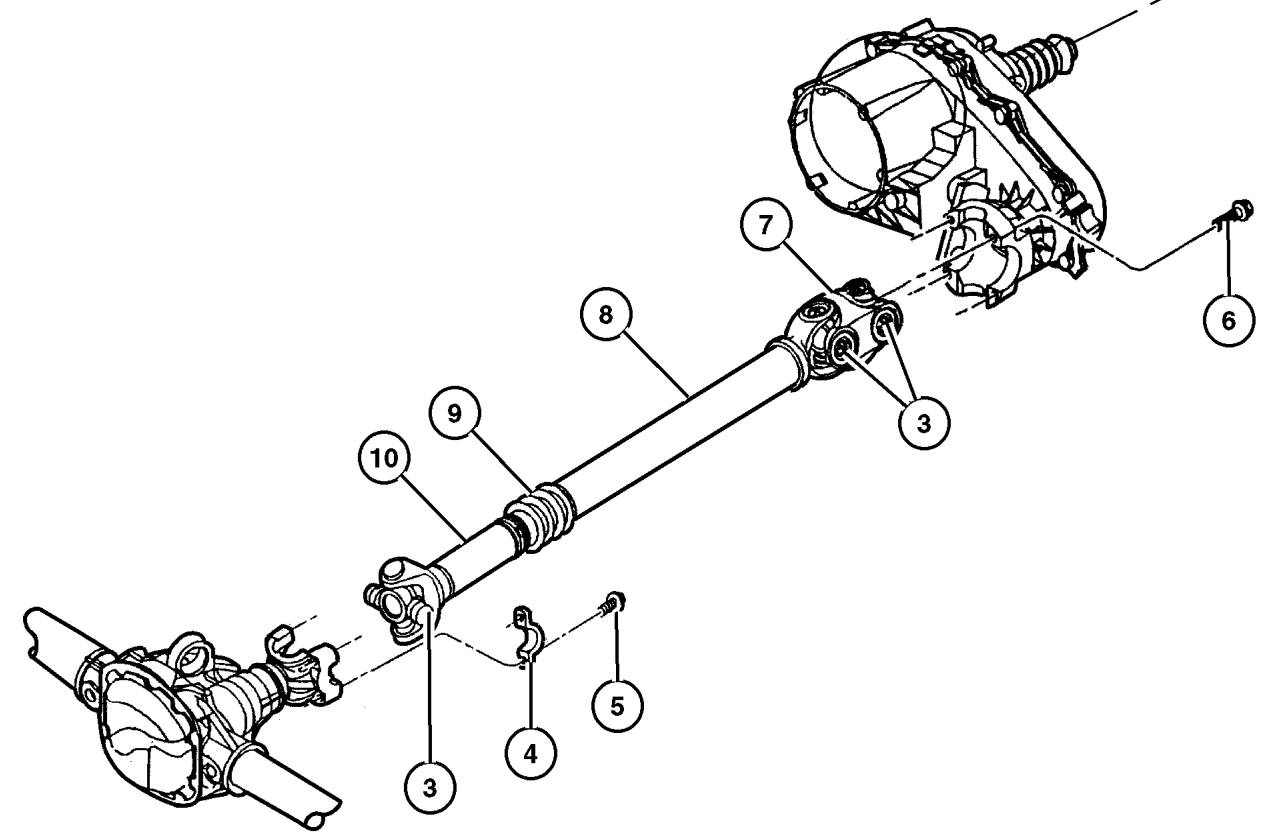
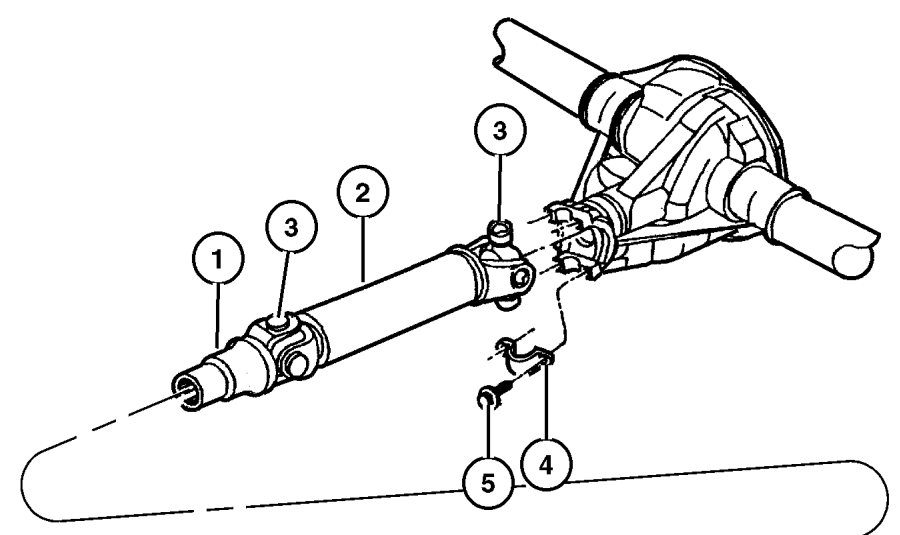
AR = Use as required - = Non illustrated part # = New this model year

June 7, 2002



Propeller Shaft,Front and Rear 1999 TJ
Figure 016-110

ITEM	PART NUMBER	QTY	LINE	SERIES	BODY	ENGINE	TRANS	DESCRIPTION
		1				ER0	DG0	Front
-11	J320 7886	4				EP0		RING, U Joint
		4				ER0	DBB	Front and Rear
		4				ER0	DG0	Front and Rear



JEEP WRANGLER (TJ)

SERIES	LINE	BODY	ENGINE	TRANSMISSION
L=Low Line	J = Wrangler 4WD U = Wrangler 4WD (RHD)	77 = 93.4 WB	EPE, EP0 = 2.5L Power Tech ERH, ER0 = 4.0L Power Tech	DGG, DGD = 32RH 3 Spd. Auto. DDQ = 5 Spd. Manual DG0 = All Auto. Trans. DBB =All Manual Trans.

AR = Use as required - = Non illustrated part # = New this model year

June 7, 2002

Group - 017

Rear Suspension

GROUP 17 - Rear Suspension

Illustration Title

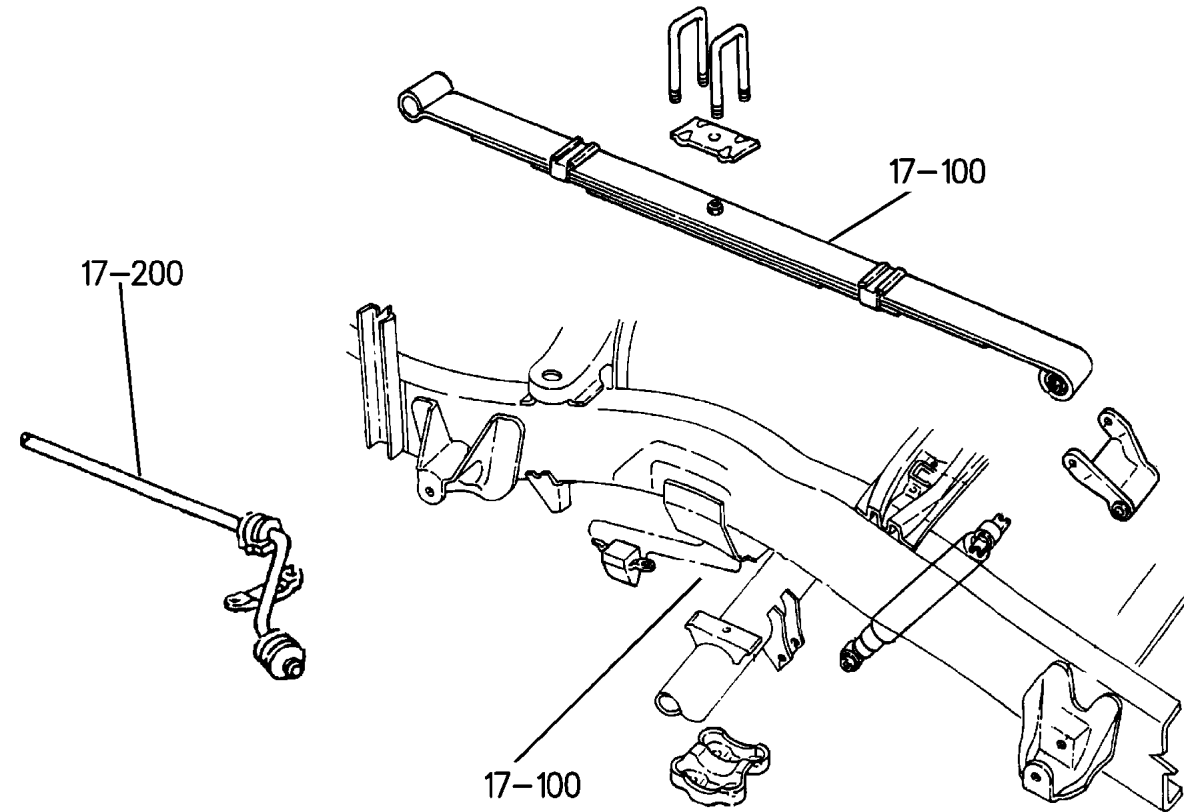
Group-Fig. No.

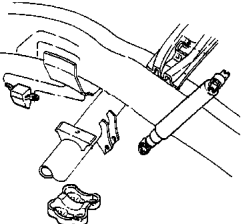
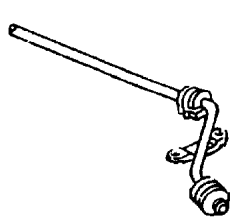
Rear Suspension

Suspension, Rear w/Shock Absorber 1997 TJ	Fig. 017-110
Suspension, Rear w/Shock Absorber 1998 TJ	Fig. 017-110
Suspension, Rear w/Shock Absorber 1999 TJ	Fig. 017-110

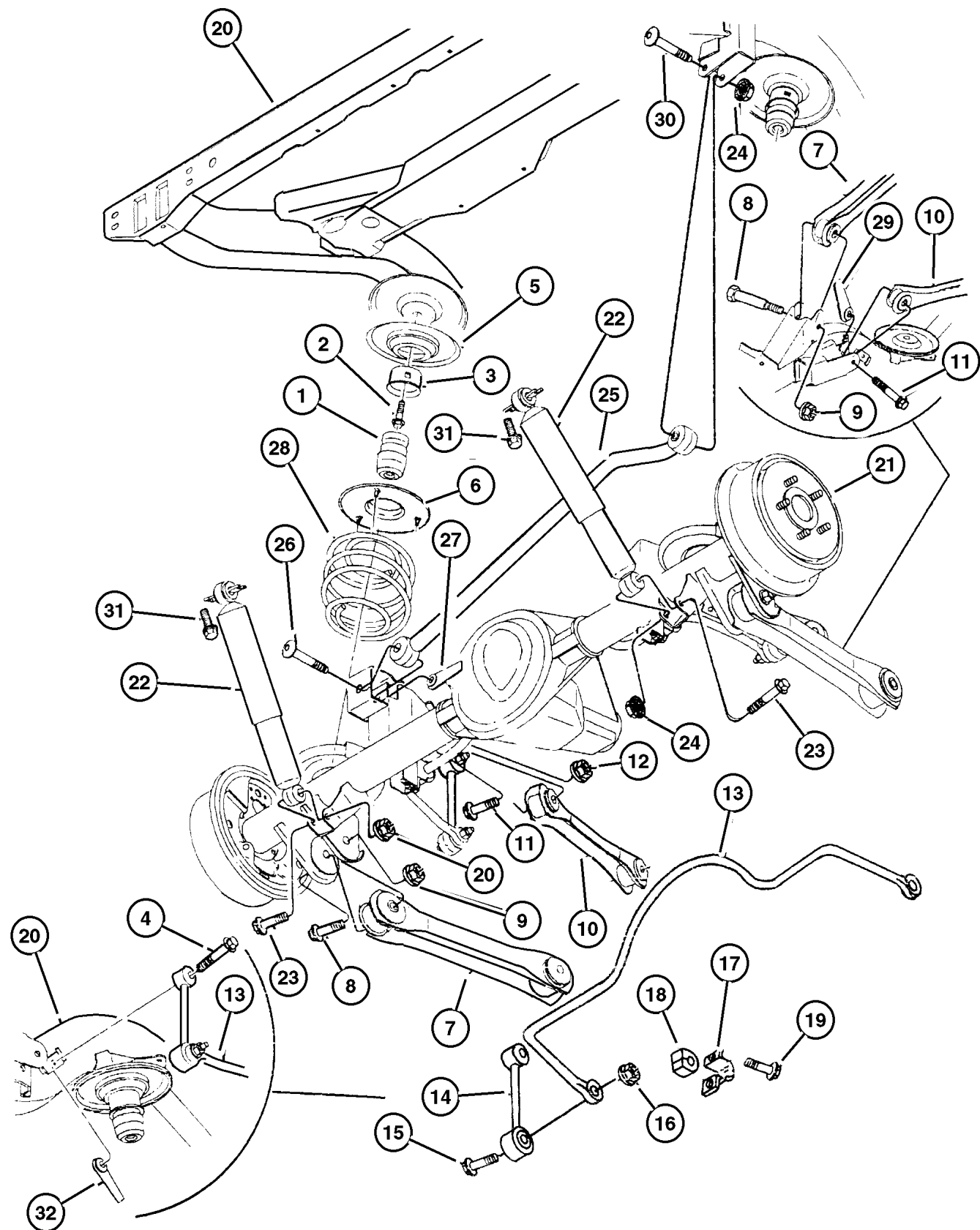
Rear Stabilizer

Stabilizer, Rear 1997 TJ	Fig. 017-210
Stabilizer, Rear 1998 TJ	Fig. 017-210
Stabilizer, Rear 1999 TJ	Fig. 017-210



<p>017-100 Rear Suspension</p> 	<p>017-200 Rear Stabilizer</p> 		
---	---	--	--

Suspension, Rear w/Shock Absorber 1997 TJ Figure 017-110



ITEM	PART NUMBER	QTY	LINE	SERIES	BODY	ENGINE	TRANS	DESCRIPTION
Note: J=Dana 35 Rear Axle---DRK=Dana 44 Rear Axle								
SDA = Normal Duty Suspension J=Dana 35 Rear Axle---DRK=Dana 44 Rear Axle								
SDU = High Pressure Gas Charged Shocks J=Dana 35 Rear Axle---DRK=Dana 44 Rear Axle								
Check the VIN Number for the 'Z' Code GVW Rating J=Dana 35 Rear Axle---DRK=Dana 44 Rear Axle								
1								BUMPER, Jounce
	5208 7992	2	J		77			Rear Spring
		2	U		77			Rear Spring
2	6100 402	2	J		77			BOLT, Hex Head, M10x35
		2	U		77			Hex Head M10x1.50x35.00
3	5208 7635	2	J		77			CUP, Jounce Bumper
		2	U		77			
4	6503 726	2						SCREW, Shoulder, M10x1.50x66.00, Sway Bar To Link
5	5208 7832	2	J		77			ISOLATOR, Spring Rear,Upper
		2	U		77			Rear,Upper
6	5208 7866	2	J		77			ISOLATOR, Spring Rear,Lower
		2	U		77			Rear,Lower
7	5208 8654	2	J		77			ARM, Control Rear,Lower
		2	U		77			Rear,Lower
8	6502 963	4	J		77			BOLT, Hex Flange Head, M14x2.0x105 Arm to Axle M14x2.00x105.00
		4	U		77			Arm to Axle M14x2.00x105.00
9	6502 698	4						NUT, M14x2.00
10	5208 8520	2						ARM, Control, Rear,Upper
11	6503 085	4	J		77			BOLT, Hex Flange Head, M10x1.50x78. 20
		4	U		77			M10x1.50x78.00 M10x1.50x78.00
12	6502 696	2						NUT, Hex Flange Lock, M10x1.5, M10x1. 50
13	5208 8002	1	J		77			BAR, Rear Sway
		1	U		77			
14	5208 7863	2						LINK, Sway Eliminator, Stabilizer Rear
15	6503 726	2						SCREW, Shoulder, M10x1.50x66.00
16	6502 696	2						NUT, Hex Flange Lock, M10x1.5, M10x1. 50
17	5208 7865	2						RETAINER, Sway Bar, Stabilizer Bar Bushing

JEEP WRANGLER (TJ)

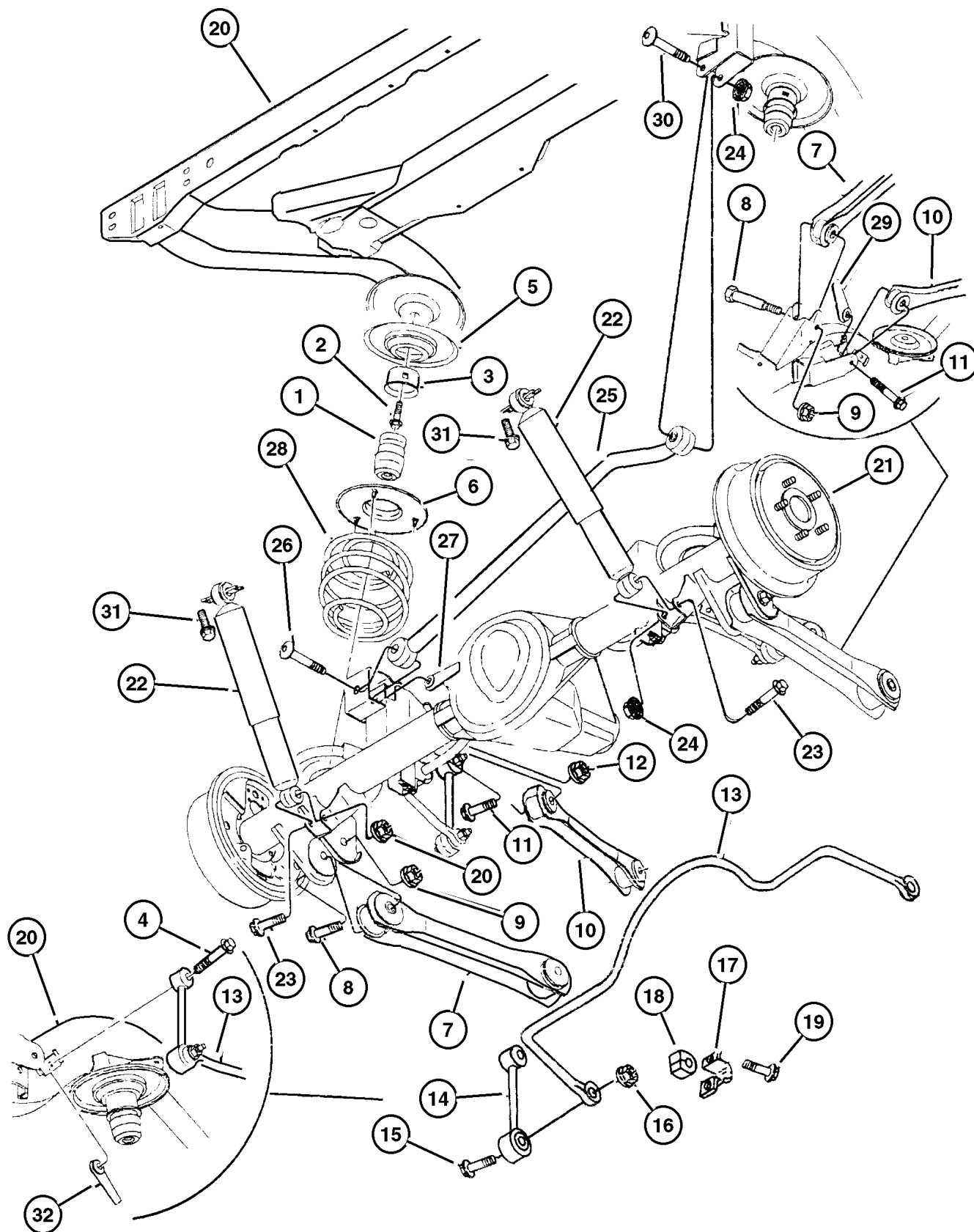
SERIES	LINE	BODY	ENGINE
L=Low Line	J = Wrangler 4WD U = Wrangler 4WD (RHD)	77 = 93.4 WB	EPE, EP0 = 2.5L Power Tech ERH, ER0 = 4.0L Power Tech

TRANSMISSION
DGG, DGD = 32RH 3 Spd. Auto. DDQ = 5 Spd. Manual DG0 = All Auto. Trans. DBB =All Manual Trans.

AR = Use as required - = Non illustrated part # = New this model year

June 7, 2002

Suspension, Rear w/Shock Absorber 1997 TJ Figure 017-110



ITEM	PART NUMBER	QTY	LINE	SERIES	BODY	ENGINE	TRANS	DESCRIPTION
18	5208 8125	2						BUSHING, Sway Bar, Stabilizer Bar 14.5 Dia.
19	6503 571	4						SCREW AND WASHER, M10x1.50x35, M10x1.50x30.00
20								FRAME, Assy. (Ref), (NOT SERVICED)
21								AXLE, Assy. (Ref), (NOT SERVICED)
22	52087 835AB	2						SHOCK ABSORBER, Suspension, Rear
23	6502 473	2						BOLT, Hex Flange Head, M12x1.75x65, M12x1.75x65.00
24	6502 697	2						NUT, Hex Flange Lock, M12x1.75, M12x1.75
25								BAR, Track
	5208 7878	1	J		77			
	5208 8175	1	U		77			
26	6035 782	4						SCREW, Truss Head, M12x1.75x80
27	6503 652	1	J		77			NUT AND RETAINER, Hex Flange Lock, m8x1.25, M10x1.50
28								SPRING, Rear Coil
	5208 9102	1	J		77			ZAT, ZNT
		1	U		77			ZAT, ZNT
	5208 9103	1	J		77			ZAU, ZNU
		1	U		77			ZAU, ZNU
	5208 9104	1	J		77			ZAV, ZNV
		1	U		77			ZAV, ZNV
29								NUT AND RETAINER, Hex Flange Lock, m8x1.25
	6503 648	2	J		77			M10x1.50
		2	U		77			M10x1.50
30								SCREW, Hex Flange Head, M12x1.75x80
	6503 982	1	J		77			M12x1.75x80.00
		1	U		77			M12x1.75x80.00
31	3420 2467	4						SCREW, Hex Head, M8x1.25x30, M8x1.25x30.00
32								NUT AND RETAINER, Hex Flange Lock, m8x1.25
	6503 648	2	J		77			
		2	U		77			

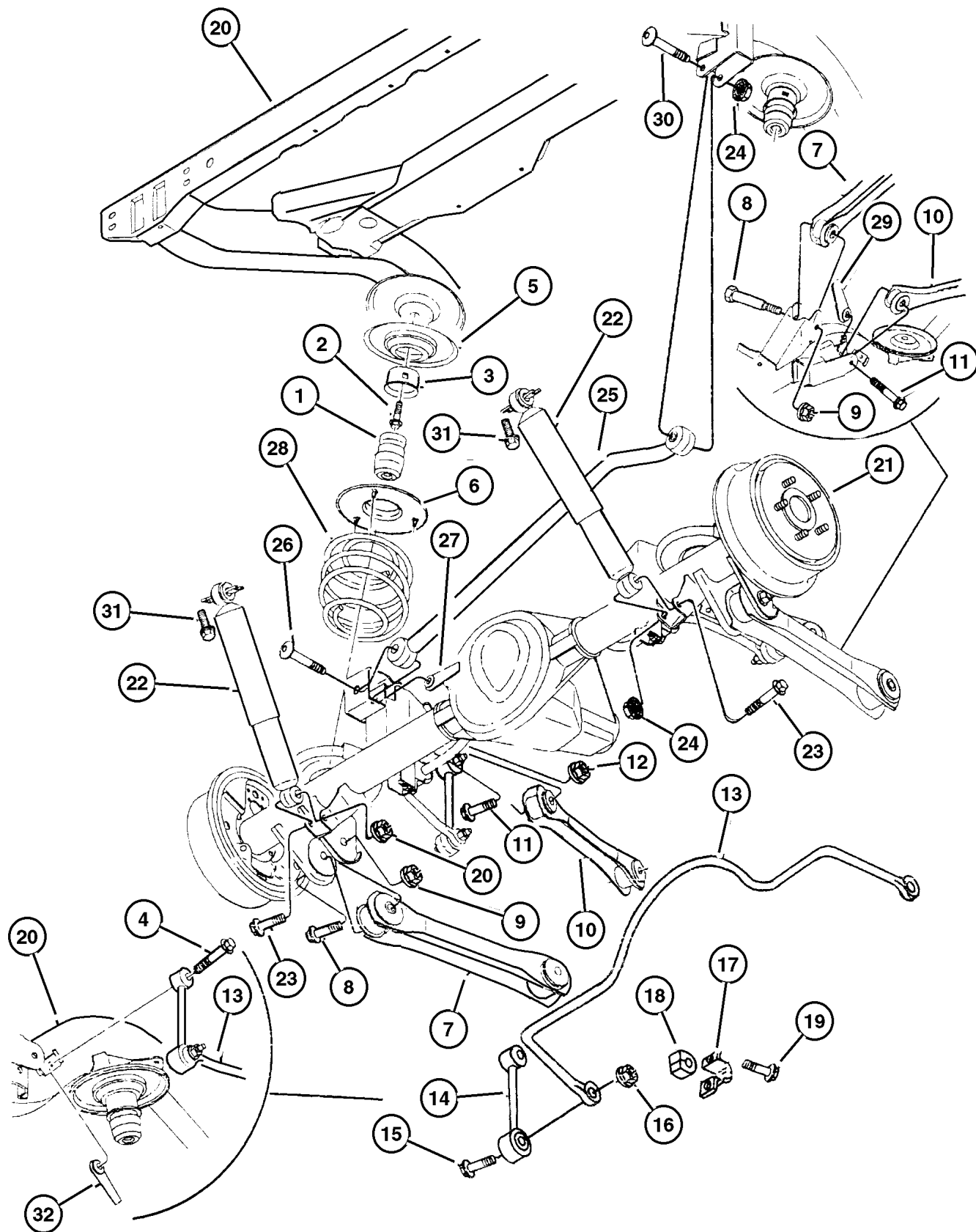
JEEP WRANGLER (TJ)

SERIES	LINE	BODY	ENGINE	TRANSMISSION
L=Low Line	J = Wrangler 4WD U = Wrangler 4WD (RHD)	77 = 93.4 WB	EPE, EP0 = 2.5L Power Tech ERH, ER0 = 4.0L Power Tech	DGG, DGD = 32RH 3 Spd. Auto. DDQ = 5 Spd. Manual DG0 = All Auto. Trans. DBB =All Manual Trans.

AR = Use as required - = Non illustrated part # = New this model year

June 7, 2002

Suspension, Rear w/Shock Absorber 1998 TJ Figure 017-110



ITEM	PART NUMBER	QTY	LINE	SERIES	BODY	ENGINE	TRANS	DESCRIPTION
Note: J=Dana 35 Rear Axle---DRK=Dana 44 Rear Axle								
Check the VIN Number for the 'Z' Code GVW Rating J=Dana 35 Rear Axle---DRK=Dana 44 Rear Axle								
SDA = Normal Duty Suspension J=Dana 35 Rear Axle---DRK=Dana 44 Rear Axle								
SDU = High Pressure Gas Charged Shocks J=Dana 35 Rear Axle---DRK=Dana 44 Rear Axle								
1	5208 7992	2						BUMPER, Jounce
2	6100 402	2						BOLT, Hex Head, M10x35
3	5208 7635	2						CUP, Jounce Bumper
4	6503 726	2						SCREW, Shoulder, M10x1.50x66.00, Sway Bar To Link
5	5208 7832	2						ISOLATOR, Spring
6	5208 7866	2						ISOLATOR, Spring
7	5208 8654	2						ARM, Control, Lower
8	6502 963	4						BOLT, Hex Flange Head, M14x2.0x105
9	6502 698	4						NUT, Hex Flange Lock
10	5208 8520	2						ARM, Control, Upper
11	6503 085	4						BOLT, Hex Flange Head, M10x1.50x78. 20
12	6502 696	2						NUT, Hex Flange Lock, M10x1.5
13	5208 8002	1						BAR, Rear Sway
14	5208 7863	2						LINK, Sway Eliminator, Stabilizer Rear
15	6503 726	2						SCREW, Shoulder, M10x1.50x66.00
16	6502 696	2						NUT, Hex Flange Lock, M10x1.5
17	5208 7865	2						RETAINER, Sway Bar, Stabilizer Bar Bushing
18	5208 8125	2						BUSHING, Sway Bar, Stabilizer Bar 14.5 Dia.
19	6503 571	4						SCREW AND WASHER, M10x1.50x35
20								FRAME, Assy. (Ref), (NOT SERVICED)
21								AXLE, Assy. (Ref), (NOT SERVICED)
22								SHOCK ABSORBER, Suspension, Rear (SDA)
	52087 835AB	2						(SDU)
	52088 651AD	2						
23	6502 473	2						BOLT, Hex Flange Head, M12x1.75x65
24	6502 697	2						NUT, Hex Flange Lock, M12x1.75
25								BAR, Track
	5208 7878	1			J			
	5208 8175	1			U			
26	6502 558	1						SCREW, Truss Head, M12x1.75x80
27	6503 652	1			J			NUT AND RETAINER, Hex Flange Lock, m8x1.25
28								SPRING, Rear Coil
	5208 9102	1						(ZAT,ZNT)
	5208 9103	1						(ZAU,ZNU)
	5208 9104	1						(ZAV,ZNV)

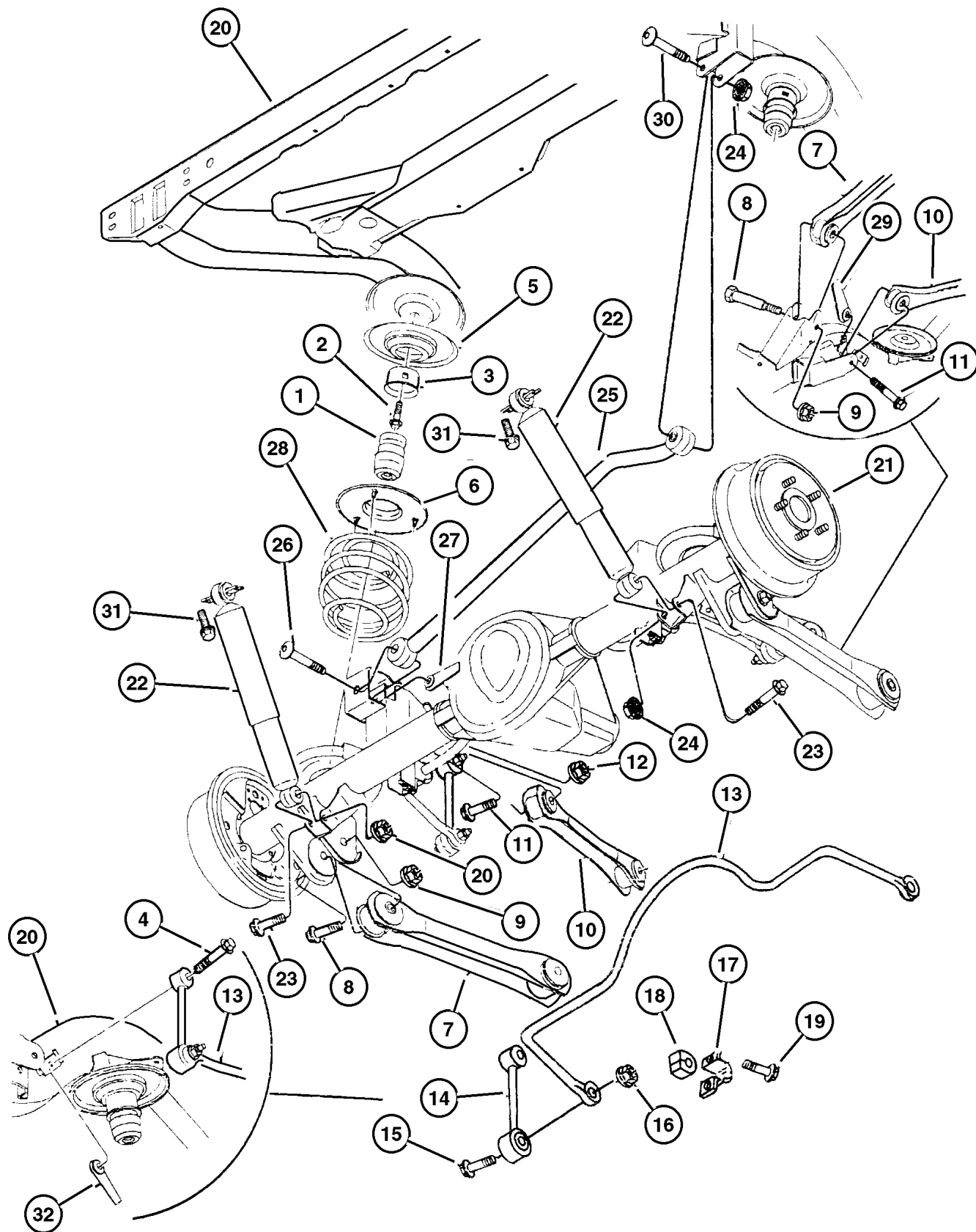
JEEP WRANGLER (TJ)

SERIES	LINE	BODY	ENGINE	TRANSMISSION
L=Low Line	J = Wrangler 4WD U = Wrangler 4WD (RHD)	77 = 93.4 WB	EPE, EP0 = 2.5L Power Tech ERH, ER0 = 4.0L Power Tech	DGG, DGD = 32RH 3 Spd. Auto. DDQ = 5 Spd. Manual DG0 = All Auto. Trans. DBB =All Manual Trans.

AR = Use as required - = Non illustrated part # = New this model year

June 7, 2002

Suspension, Rear w/Shock Absorber 1998 TJ Figure 017-110



ITEM	PART NUMBER	QTY	LINE	SERIES	BODY	ENGINE	TRANS	DESCRIPTION
29	6503 648	2						NUT AND RETAINER, Hex Flange Lock, m8x1.25
30	6503 982	1						SCREW, Hex Flange Head, M12x1.75x80
31	3420 2467	4						SCREW, Hex Head, M8x1.25x30
32	6503 648	2						NUT AND RETAINER, Hex Flange Lock, m8x1.25

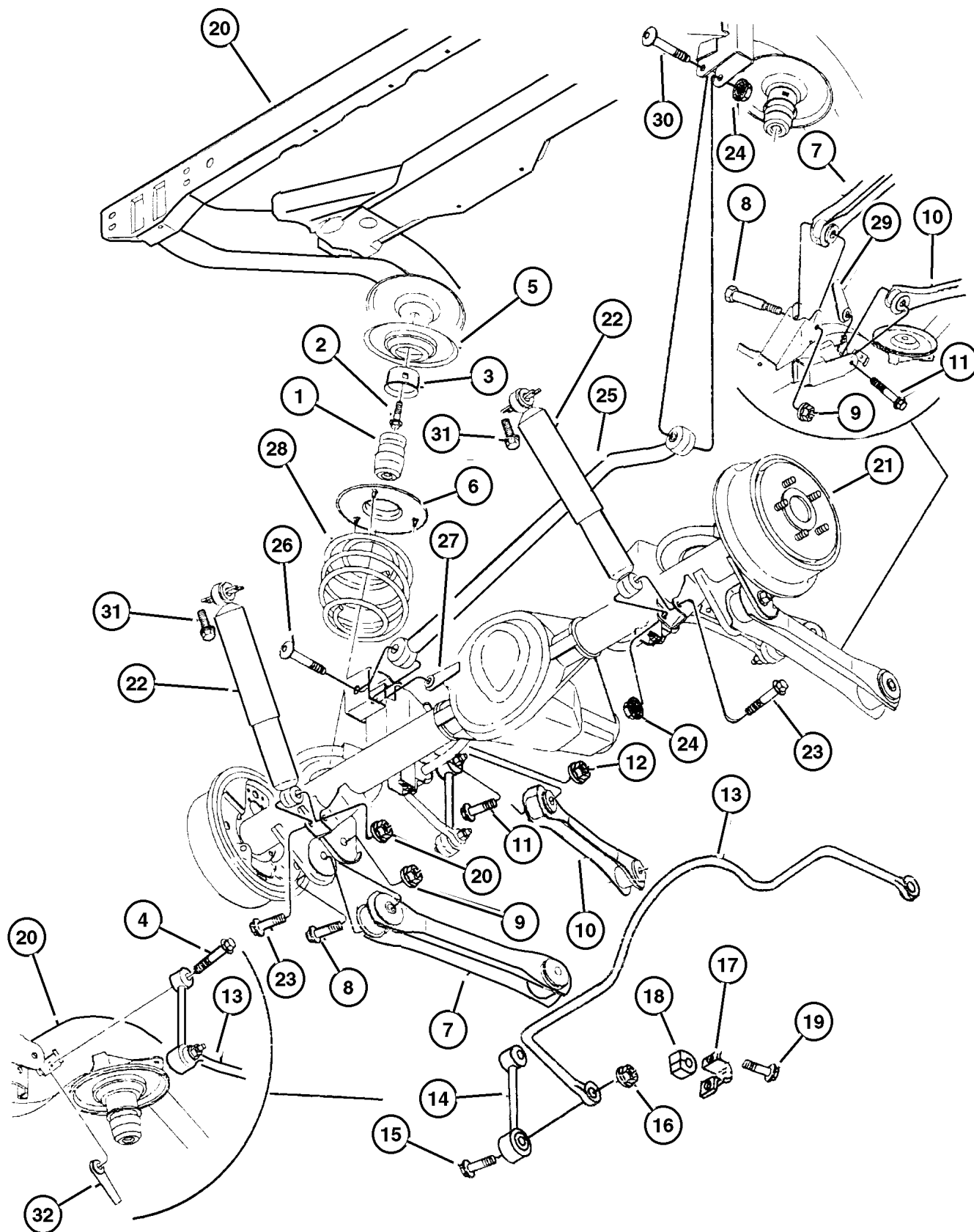
JEEP WRANGLER (TJ)

SERIES	LINE	BODY	ENGINE	TRANSMISSION
L=Low Line	J = Wrangler 4WD U = Wrangler 4WD (RHD)	77 = 93.4 WB	EPE, EP0 = 2.5L Power Tech ERH, ER0 = 4.0L Power Tech	DGG, DGD = 32RH 3 Spd. Auto. DDQ = 5 Spd. Manual DG0 = All Auto. Trans. DBB =All Manual Trans.

AR = Use as required - = Non illustrated part # = New this model year

June 7, 2002

Suspension, Rear w/Shock Absorber 1999 TJ Figure 017-110



ITEM	PART NUMBER	QTY	LINE	SERIES	BODY	ENGINE	TRANS	DESCRIPTION
Note: J=Dana 35 Rear Axle---DRK=Dana 44 Rear Axle								
SDA = Normal Duty Suspension J=Dana 35 Rear Axle---DRK=Dana 44 Rear Axle								
Check the VIN Number for the 'Z' Code GVW Rating J=Dana 35 Rear Axle---DRK=Dana 44 Rear Axle								
1	5208 7992	2						BUMPER, Jounce
2	6100 402	2						BOLT, Hex Head, M10x35
3	5208 7635	2						CUP, Jounce Bumper
4	6503 726	2						SCREW, Shoulder, M10x1.50x66.00, Sway Bar To Link
5	5208 7832	2						ISOLATOR, Spring
6	5208 7866	2						ISOLATOR, Spring
7	5208 8654	2						ARM, Control
8	6502 963	4						BOLT, Hex Flange Head, M14x2.0x105
9	6502 698	4						NUT
10	5208 8520	2						ARM, Control, Rear,Upper
11	6503 085	4						BOLT, Hex Flange Head, M10x1.50x78. 20, UCA to Frame and Axle, Mounting
12	6502 696	2						NUT, Hex Flange Lock, M10x1.5
13	5208 8002	1						BAR, Rear Sway
14	5208 7863	2						LINK, Sway Eliminator, Stabilizer Rear
15	6503 726	2						SCREW, Shoulder, M10x1.50x66.00
16	6502 696	2						NUT, Hex Flange Lock, M10x1.5
17	5208 7865	2						RETAINER, Sway Bar, Stabilizer Bar Bushing
18	5208 8125	2						BUSHING, Sway Bar, Stabilizer Bar 14.5 Dia.
19	6503 571	4						SCREW AND WASHER, M10x1.50x35
20								FRAME, Assy. (Ref), (NOT SERVICED)
21								AXLE, Assy. (Ref), (NOT SERVICED)
22								SHOCK ABSORBER, Suspension, Rear (SDA)
	52087 835AB	2						
	#52088 651AF	2						
23	6502 473	2						BOLT, Hex Flange Head, M12x1.75x65
24	6502 697	2						NUT, Hex Flange Lock, M12x1.75
25								BAR, Track
	5208 7878	1			J			
	5208 8175	1			U			
26	6505 467AA	1						SCREW, Truss Head, M12x1.75x80
27	6503 652	1			J			NUT AND RETAINER, Hex Flange Lock, m8x1.25
28								SPRING, Rear Coil (ZAT,ZNT)
	5208 9102	1						(ZAU,ZNU)
	5208 9103	1						(ZAV,ZNV)
	5208 9104	1						

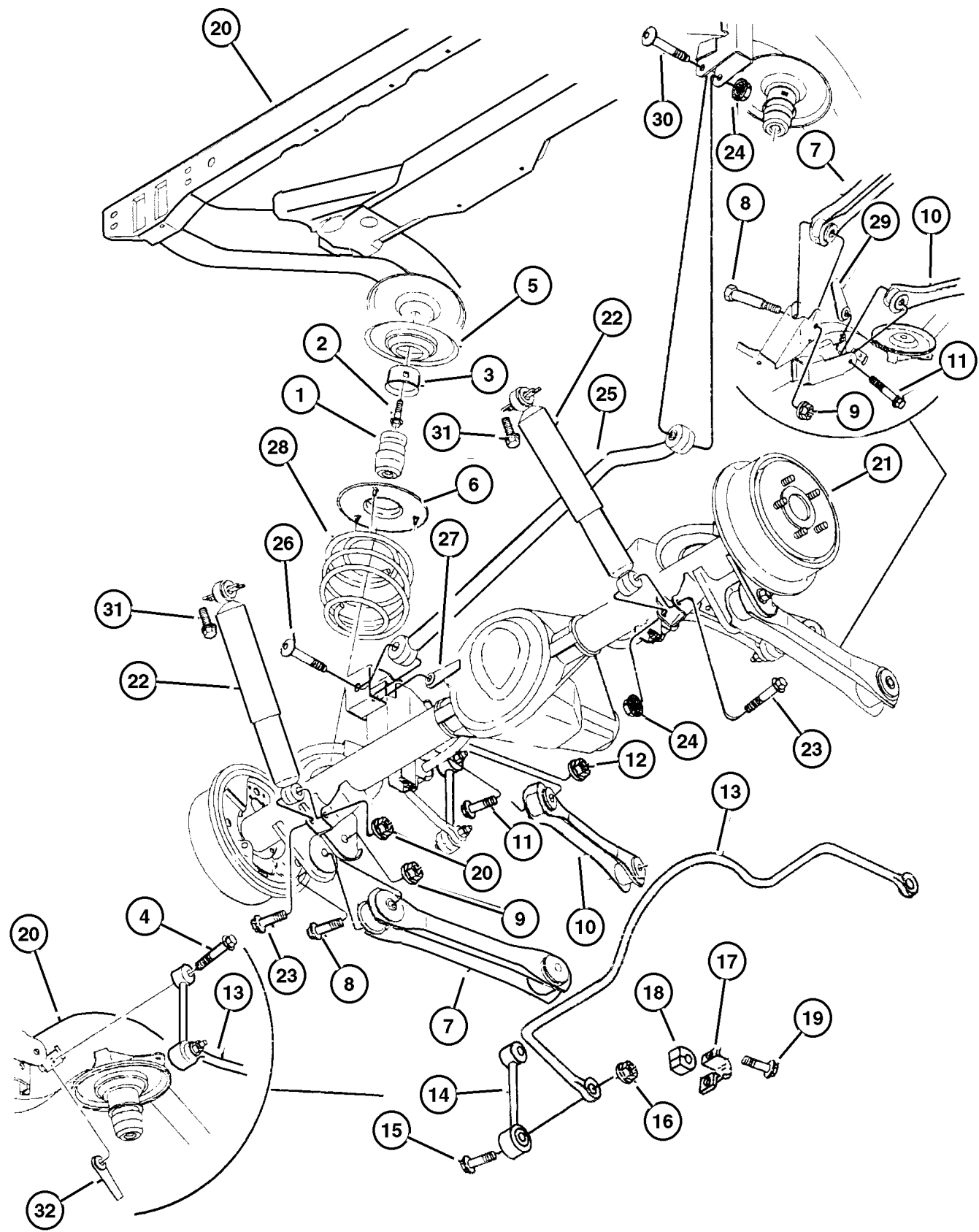
JEEP WRANGLER (TJ)

SERIES	LINE	BODY	ENGINE	TRANSMISSION
L=Low Line	J = Wrangler 4WD U = Wrangler 4WD (RHD)	77 = 93.4 WB	EPE, EP0 = 2.5L Power Tech ERH, ER0 = 4.0L Power Tech	DGG, DGD = 32RH 3 Spd. Auto. DDQ = 5 Spd. Manual DG0 = All Auto. Trans. DBB =All Manual Trans.

AR = Use as required - = Non illustrated part # = New this model year

June 7, 2002

Suspension, Rear w/Shock Absorber 1999 TJ Figure 017-110



ITEM	PART NUMBER	QTY	LINE	SERIES	BODY	ENGINE	TRANS	DESCRIPTION
29	6503 648	2						NUT AND RETAINER, Hex Flange Lock, m8x1.25
30	6503 982	1						SCREW, Hex Flange Head, M12x1.75x80
31	3420 2467	4						SCREW, Hex Head, M8x1.25x30
32	6503 648	2						NUT AND RETAINER, Hex Flange Lock, m8x1.25

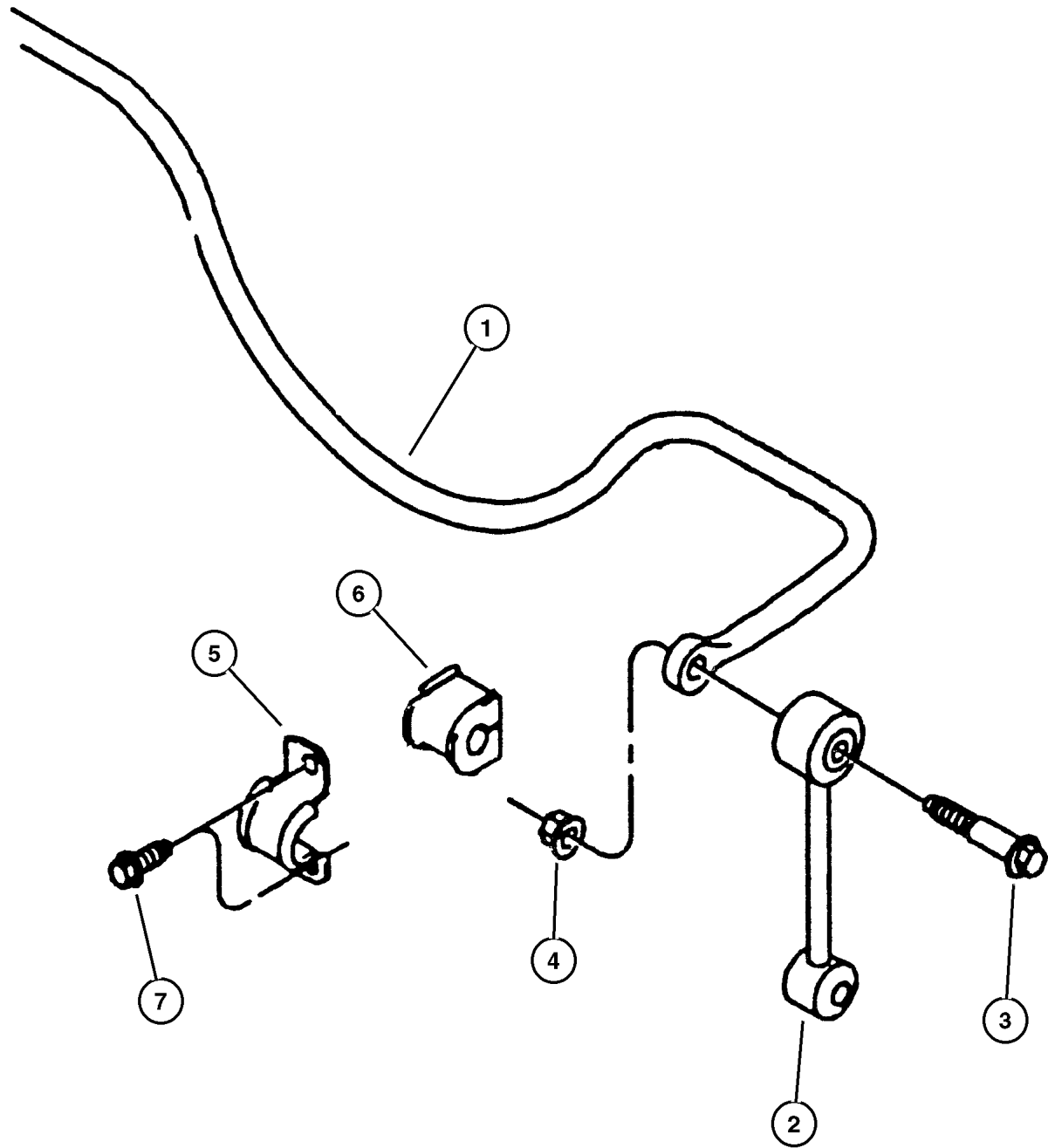
JEEP WRANGLER (TJ)				
SERIES	LINE	BODY	ENGINE	TRANSMISSION
L=Low Line	J = Wrangler 4WD U = Wrangler 4WD (RHD)	77 = 93.4 WB	EPE, EP0 = 2.5L Power Tech ERH, ER0 = 4.0L Power Tech	DGG, DGD = 32RH 3 Spd. Auto. DDQ = 5 Spd. Manual DGO = All Auto. Trans. DBB =All Manual Trans.

AR = Use as required - = Non illustrated part # = New this model year

June 7, 2002

Stabilizer, Rear 1997 TJ
Figure 017-210

ITEM	PART NUMBER	QTY	LINE	SERIES	BODY	ENGINE	TRANS	DESCRIPTION
1								BAR, Rear Sway
	5208 8002	1	J		77			Rear Stabilizer
		1	U		77			Rear Stabilizer
2	5208 7863	2						LINK, Sway Eliminator, Stabilizer Bar
3	6503 726	2						SCREW, Shoulder, M10x1.50x66.00
4	6502 696	2						NUT, Hex Flange Lock, M10x1.5, M10x1.50
5	5208 7865	2						RETAINER, Sway Bar, Rear
6	5208 8125	2						BUSHING, Sway Bar, Stabilizer Bar 14.5 Dia.
7	6502 985	2						SCREW AND WASHER, M10x1.50x35



JEEP WRANGLER (TJ)

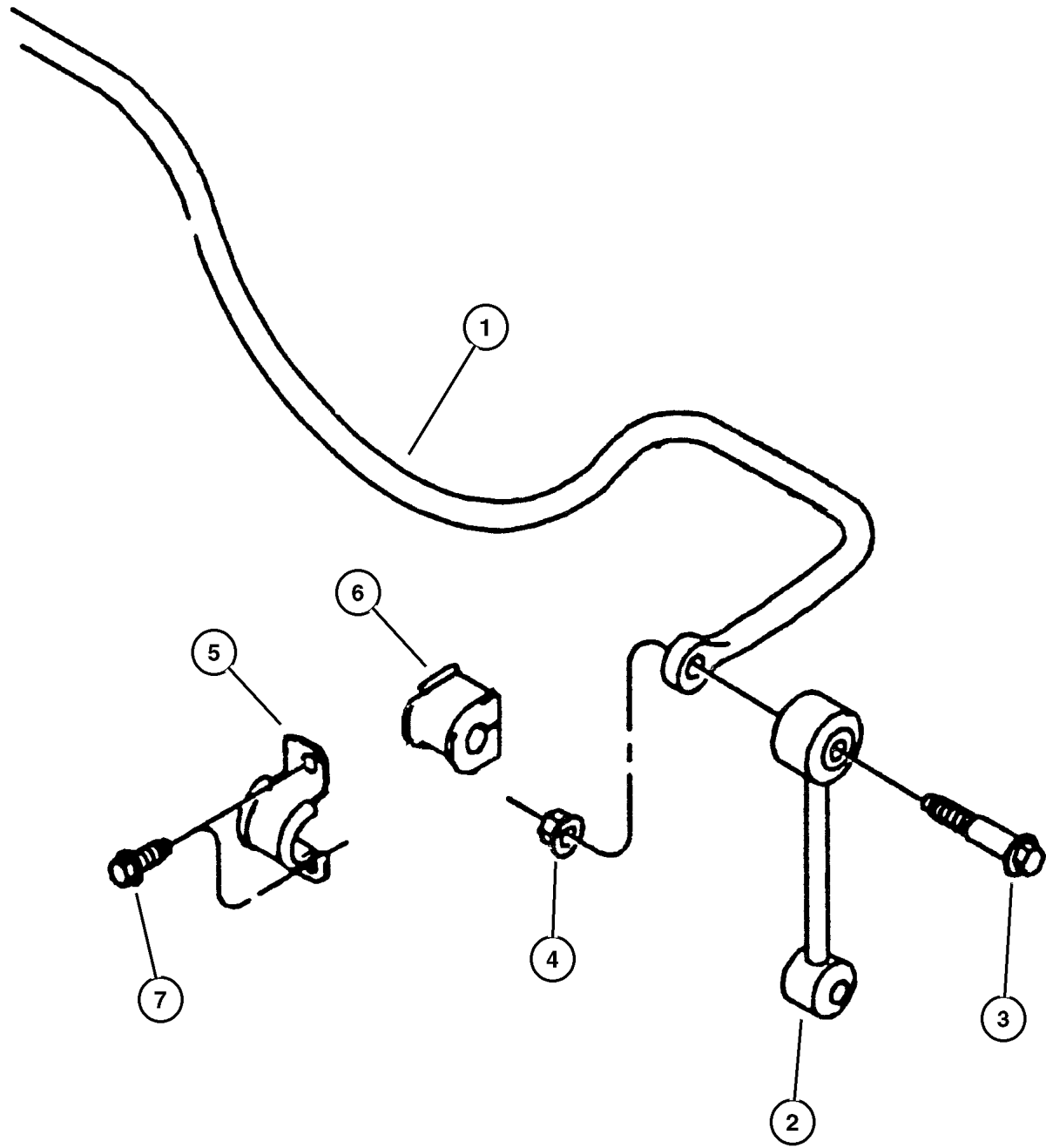
SERIES	LINE	BODY	ENGINE	TRANSMISSION
L=Low Line	J = Wrangler 4WD U = Wrangler 4WD (RHD)	77 = 93.4 WB	EPE, EP0 = 2.5L Power Tech ERH, ER0 = 4.0L Power Tech	DGG, DGD = 32RH 3 Spd. Auto. DDQ = 5 Spd. Manual DG0 = All Auto. Trans. DBB =All Manual Trans.

AR = Use as required - = Non illustrated part # = New this model year

June 7, 2002

Stabilizer, Rear 1998 TJ
Figure 017-210

ITEM	PART NUMBER	QTY	LINE	SERIES	BODY	ENGINE	TRANS	DESCRIPTION
1	5208 8002	1						BAR, Rear Sway
2	5208 7863	2						LINK, Sway Eliminator, Stabilizer Bar
3	6503 726	2						SCREW, Shoulder, M10x1.50x66.00
4	6502 696	2						NUT, Hex Flange Lock, M10x1.5
5	5208 7865	2						RETAINER, Sway Bar, Rear
6	5208 8125	2						BUSHING, Sway Bar, Stabilizer Bar 14.5 Dia.
7	6503 571	4						SCREW AND WASHER, M10x1.50x35



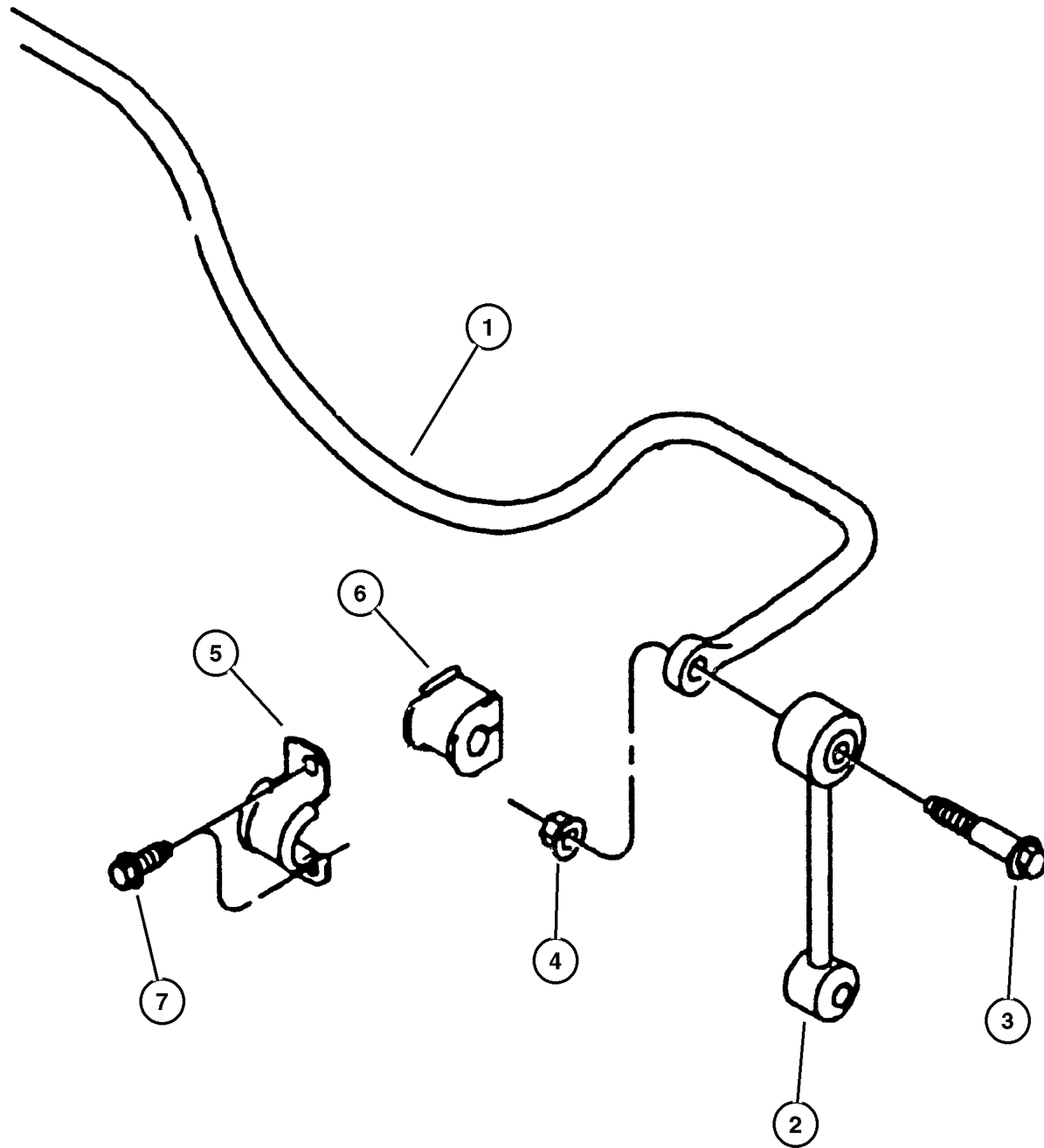
JEEP WRANGLER (TJ)				
SERIES	LINE	BODY	ENGINE	TRANSMISSION
L=Low Line	J = Wrangler 4WD U = Wrangler 4WD (RHD)	77 = 93.4 WB	EPE, EP0 = 2.5L Power Tech ERH, ER0 = 4.0L Power Tech	DGG, DGD = 32RH 3 Spd. Auto. DDQ = 5 Spd. Manual DG0 = All Auto. Trans. DBB =All Manual Trans.

AR = Use as required - = Non illustrated part # = New this model year

June 7, 2002

Stabilizer, Rear 1999 TJ
Figure 017-210

ITEM	PART NUMBER	QTY	LINE	SERIES	BODY	ENGINE	TRANS	DESCRIPTION
1	5208 8002	1						BAR, Rear Sway
2	5208 7863	2						LINK, Sway Eliminator, Stabilizer Bar
3	6503 726	2						SCREW, Shoulder, M10x1.50x66.00
4	6502 696	2						NUT, Hex Flange Lock, M10x1.5, M10x1.50
5	5208 7865	2						RETAINER, Sway Bar, Rear
6	5208 8125	2						BUSHING, Sway Bar, Stabilizer Bar 14.5 Dia.
7	6503 571	4						SCREW AND WASHER, M10x1.50x35



JEEP WRANGLER (TJ)

SERIES	LINE	BODY	ENGINE	TRANSMISSION
L=Low Line	J = Wrangler 4WD U = Wrangler 4WD (RHD)	77 = 93.4 WB	EPE, EP0 = 2.5L Power Tech ERH, ER0 = 4.0L Power Tech	DGG, DGD = 32RH 3 Spd. Auto. DDQ = 5 Spd. Manual DG0 = All Auto. Trans. DBB =All Manual Trans.

AR = Use as required - = Non illustrated part # = New this model year

June 7, 2002

Group - 019

Steering

GROUP 19 - Steering

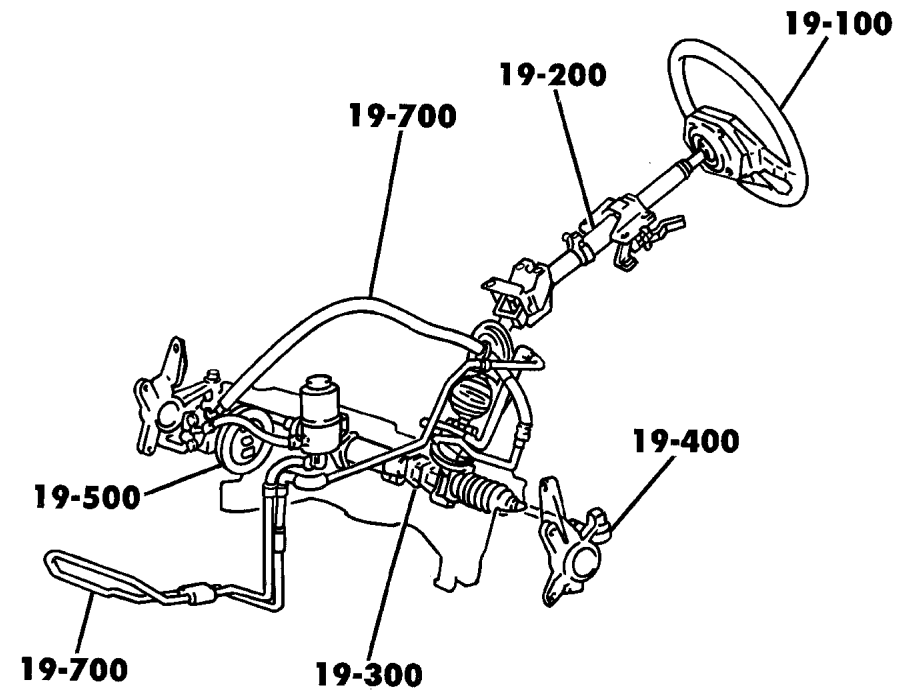


Illustration Title

Group-Fig. No.

Steering Wheel

Wheel, Steering 1997 TJ	Fig. 019-110
Wheel, Steering 1998 TJ	Fig. 019-110
Wheel, Steering 1999 TJ	Fig. 019-110

Steering Column

Column, Steering Upper and Lower 1997 TJ	Fig. 019-210
Column, Steering Upper and Lower 1998 TJ	Fig. 019-210
Column, Steering Upper and Lower 1999 TJ	Fig. 019-210

Steering Gear

Gear, Steering w/o Power Steering 1997 TJ	Fig. 019-310
Gear, Steering w/o Power Steering 1998 TJ	Fig. 019-310
Gear, Power Steering 1997 TJ	Fig. 019-320
Gear, Power Steering 1998 TJ	Fig. 019-320
Gear, Power Steering 1999 TJ	Fig. 019-320

Steering Linkage


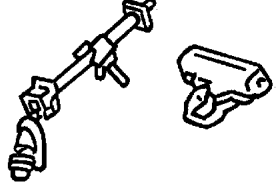
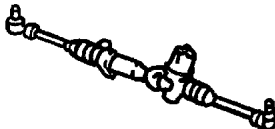
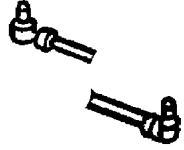
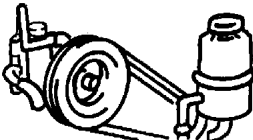

Linkage and Damper 1997 TJ	Fig. 019-410
Linkage and Damper 1998 TJ	Fig. 019-410
Linkage and Damper 1999 TJ	Fig. 019-410

Power Steering Pump

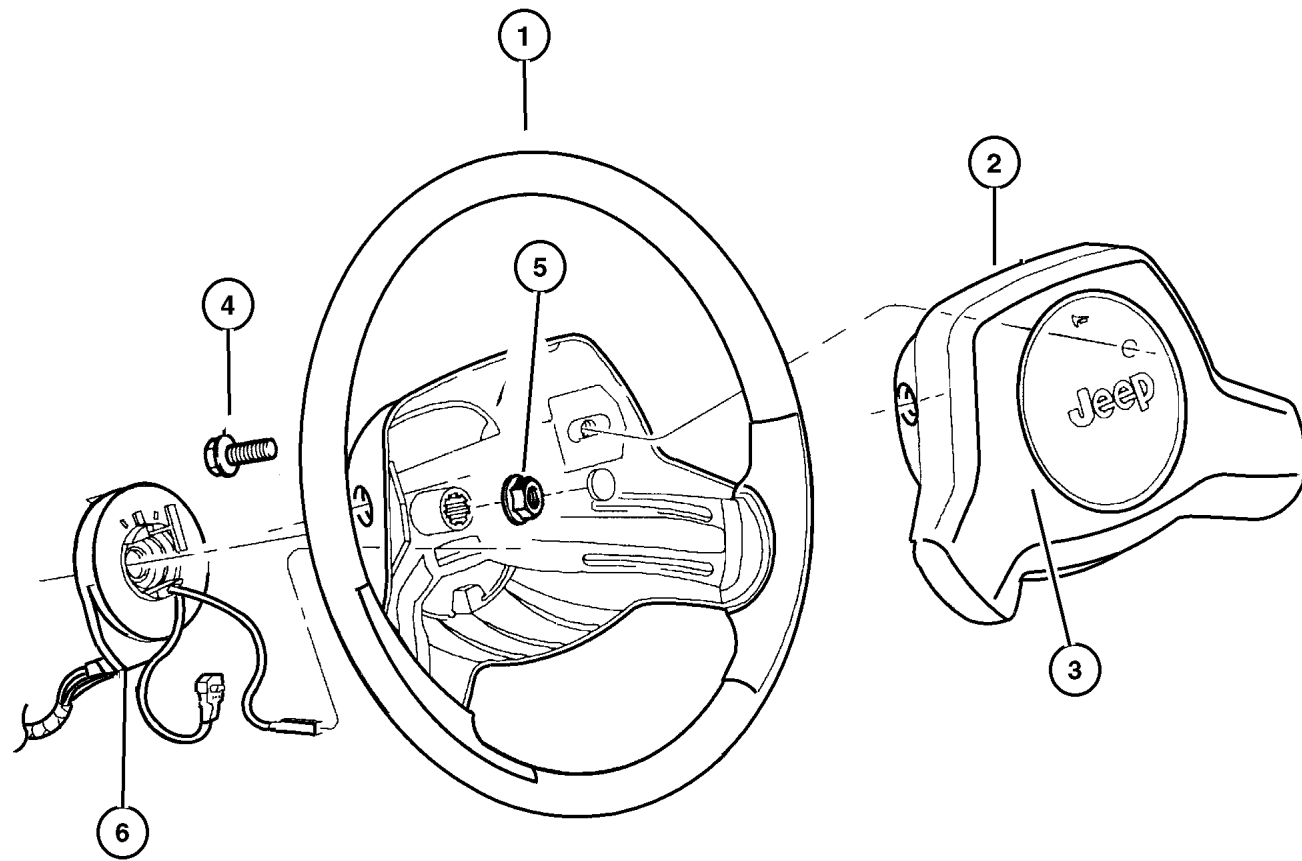
Pump, Power Steering 1997 TJ	Fig. 019-510
Pump, Power Steering 1998 TJ	Fig. 019-510
Pump, Power Steering 1999 TJ	Fig. 019-510

Power Steering Hoses

Hoses and Reservoir, Power Steering Wrangler, w/2.5L Engine 1997 TJ	Fig. 019-710
Hoses and Reservoir, Power Steering Wrangler, w/2.5L Engine 1998 TJ	Fig. 019-710
Hoses and Reservoir, Power Steering Wrangler, w/2.5L Engine 1999 TJ	Fig. 019-710
Hoses and Reservoir, Power Steering Wrangler, w/4.0L Engine 1997 TJ	Fig. 019-720
Hoses and Reservoir, Power Steering Wrangler, w/4.0L Engine 1998 TJ	Fig. 019-720
Hoses and Reservoir, Power Steering Wrangler, w/4.0L Engine 1999 TJ	Fig. 019-720

<p>019-100 Steering Wheel</p> 	<p>019-200 Steering Column</p> 	<p>019-300 Steering Gear</p> 	<p>019-400 Steering Linkage</p> 
<p>019-500 Power Steering Pump</p> 	<p>019-700 Power Steering Hoses</p> 		

Wheel, Steering 1997 TJ
Figure 019-110



ITEM	PART NUMBER	QTY	LINE	SERIES	ENGINE	TRANS	DESCRIPTION
------	-------------	-----	------	--------	--------	-------	-------------

Note: If Horn Switch is defective, you must replace the AIR BAG COVER WITH SWITCH and not the AIR BAG MODULE ASSEMBLY itself. J=Dana 35 Rear Axle---DRK=Dana 44 Rear Axle

Note: J=Dana 35 Rear Axle---DRK=Dana 44 Rear Axle

DBB = All Manual Transmissions J=Dana 35 Rear Axle---DRK=Dana 44 Rear Axle

1							WHEEL, Steering
	5DR1 0TAZ	1					Agate, w/Leather (Up to 3-26-98)
	5DR1 1TAZ	1					Agate, w/o Leather (Up to 3-26-98)
2	5DS4 8TAZ	1					AIR BAG, Driver, with Horn Switches
3	4798 182	1					COVER, Air Bag Module, Includes Horn Switch
4	6503 262	2					SCREW, Hex Flange Head, M6x1.00x20.00
5	6500 906	1				DBB	NUT, Hex Flange Lock, M14x1.5, Steering Wheel Attaching
6	56009 070AB	1					CLOCKSPRING

JEEP WRANGLER (TJ)

SERIES	LINE	BODY	ENGINE	TRANSMISSION
L=Low Line	J = Wrangler 4WD U = Wrangler 4WD (RHD)	77 = 93.4 WB	EPE, EP0 = 2.5L Power Tech ERH, ER0 = 4.0L Power Tech	DGG, DGD = 32RH 3 Spd. Auto. DDQ = 5 Spd. Manual DG0 = All Auto. Trans. DBB =All Manual Trans.

AR = Use as required - = Non illustrated part # = New this model year

June 7, 2002

Wheel, Steering 1998 TJ
Figure 019-110

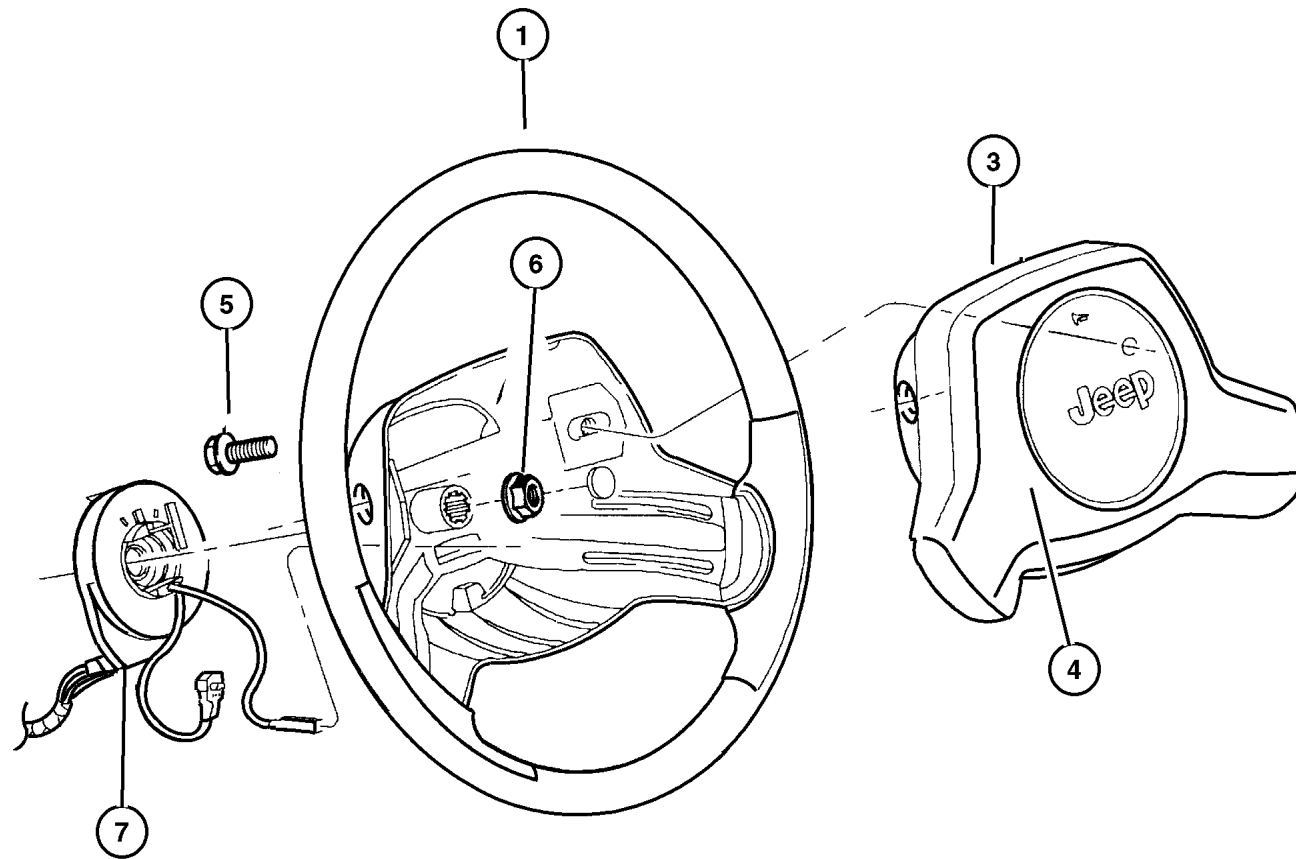
ITEM	PART NUMBER	QTY	LINE	SERIES	ENGINE	TRANS	DESCRIPTION
------	-------------	-----	------	--------	--------	-------	-------------

Note: If Horn Switch is defective, you must replace the AIR BAG COVER WITH SWITCH and not the AIR BAG MODULE ASSEMBLY itself. J=Dana 35 Rear Axle---DRK=Dana 44 Rear Axle

Note: J=Dana 35 Rear Axle---DRK=Dana 44 Rear Axle

DBB = All Manual Transmissions J=Dana 35 Rear Axle---DRK=Dana 44 Rear Axle

1							WHEEL, Steering
	5DY22 LAZAB	1					Agate, w/Leather, Speed Control
	5GK43 1AZAA	1					Agate, w/o Leather (After 3-26-98)
	5GL44 1AZAA	1					Agate, w/Leather, w/o Speed Control
-2							SWITCH, Speed Control
	56007 530AC	1					Right
	56007 531AC	1					Left
3							AIR BAG, Driver
	5GC50 LAZAB	1					with Horn Switches-[-NHM]
	5GC51 LAZAB	1					with Horn Switches-[+NHM]
4	4798 182	1					COVER, Air Bag Module, Includes Horn Switch
5	6503 262	2					SCREW, Hex Flange Head, M6x1.00x20.00
6	6505 248AA	1				DBB	NUT, Hex Flange Lock, Steering Wheel Attaching
7							CLOCKSPRING
	56009 070AB	1					w/o Speed Control
	56009 071AB	1					w/Speed Control



JEEP WRANGLER (TJ)

SERIES	LINE	BODY	ENGINE	TRANSMISSION
L=Low Line	J = Wrangler 4WD U = Wrangler 4WD (RHD)	77 = 93.4 WB	EPE, EP0 = 2.5L Power Tech ERH, ER0 = 4.0L Power Tech	DGG, DGD = 32RH 3 Spd. Auto. DDQ = 5 Spd. Manual DG0 = All Auto. Trans. DBB =All Manual Trans.

AR = Use as required - = Non illustrated part # = New this model year

June 7, 2002

Wheel, Steering 1999 TJ
Figure 019-110

ITEM	PART NUMBER	QTY	LINE	SERIES	ENGINE	TRANS	DESCRIPTION
------	-------------	-----	------	--------	--------	-------	-------------

Note: If Horn Switch is defective, you must replace the AIR BAG COVER WITH SWITCH and not the AIR BAG MODULE ASSEMBLY itself. J=Dana 35 Rear Axle---DRK=Dana 44 Rear Axle

Note: J=Dana 35 Rear Axle---DRK=Dana 44 Rear Axle

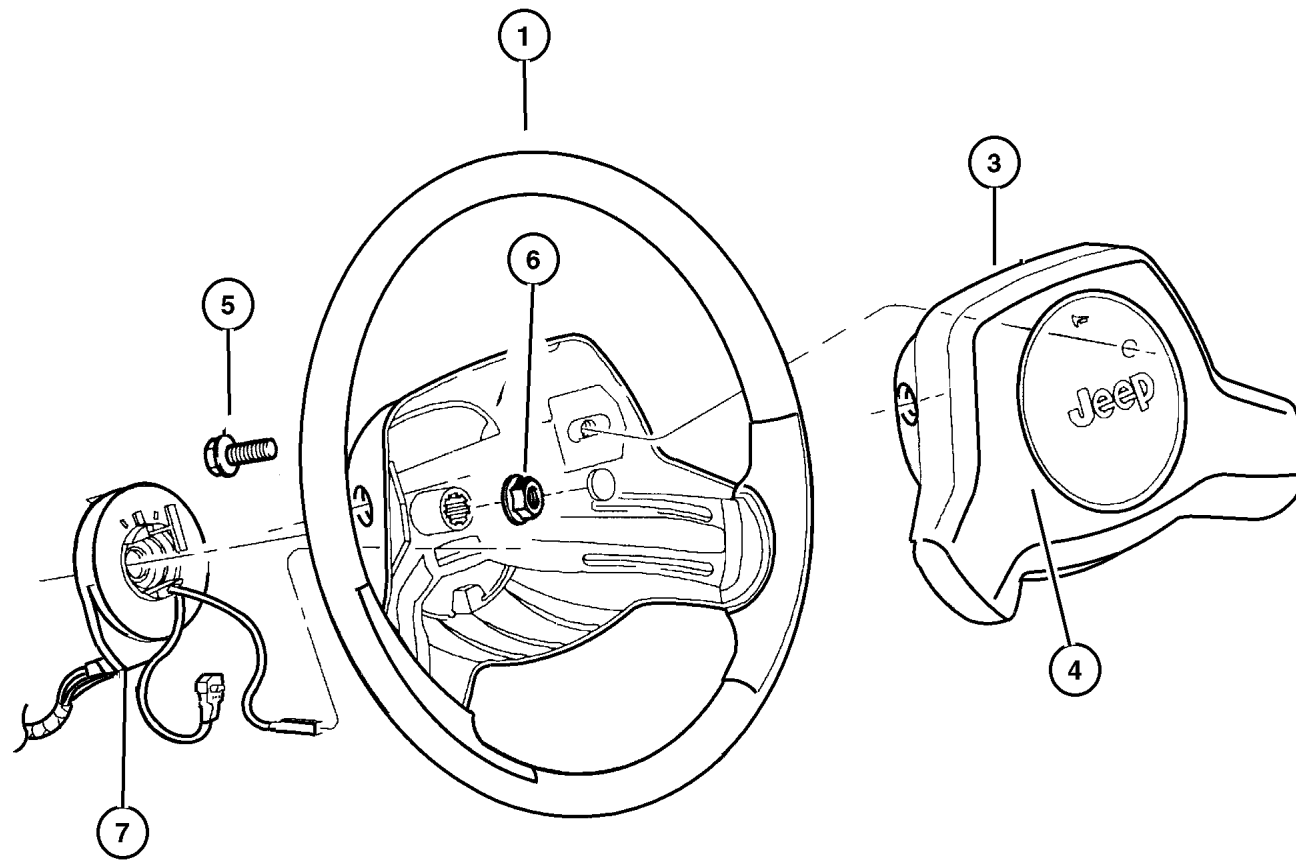
DBB = All Manual Transmissions J=Dana 35 Rear Axle---DRK=Dana 44 Rear Axle

SCE = Steering Wheel-2-Spoke Soft J=Dana 35 Rear Axle---DRK=Dana 44 Rear Axle

SCG = Steering Wheel-Leather Wrapped J=Dana 35 Rear Axle---DRK=Dana 44 Rear Axle

NHM = Speed Control J=Dana 35 Rear Axle---DRK=Dana 44 Rear Axle

1	#5DY22 LAZAC	1					WHEEL, Steering Agate,[SCG+NHM]
	5GL44 1AZAA	1					Agate,[SCG-NHM]
	5GK43 1AZAA	1					Agate,[SCE]
-2	#56007 530AD	1					SWITCH, Speed Control Right
	#56007 531AD	1					Left
3	5GC51 LAZAB	1					AIR BAG, Driver, with Horn Swithes
4	4798 182	1					COVER, Air Bag Module, Includes Horn Switch
5	6503 262	2					SCREW, Hex Flange Head, M6x1.00x20.00
6	6505 248AA	1				DBB	NUT, Hex Flange Lock, Steering Wheel Attaching
7	56009 070AB	1					CLOCKSPRING w/o Speed Control
	56009 071AB	1					w/Speed Control



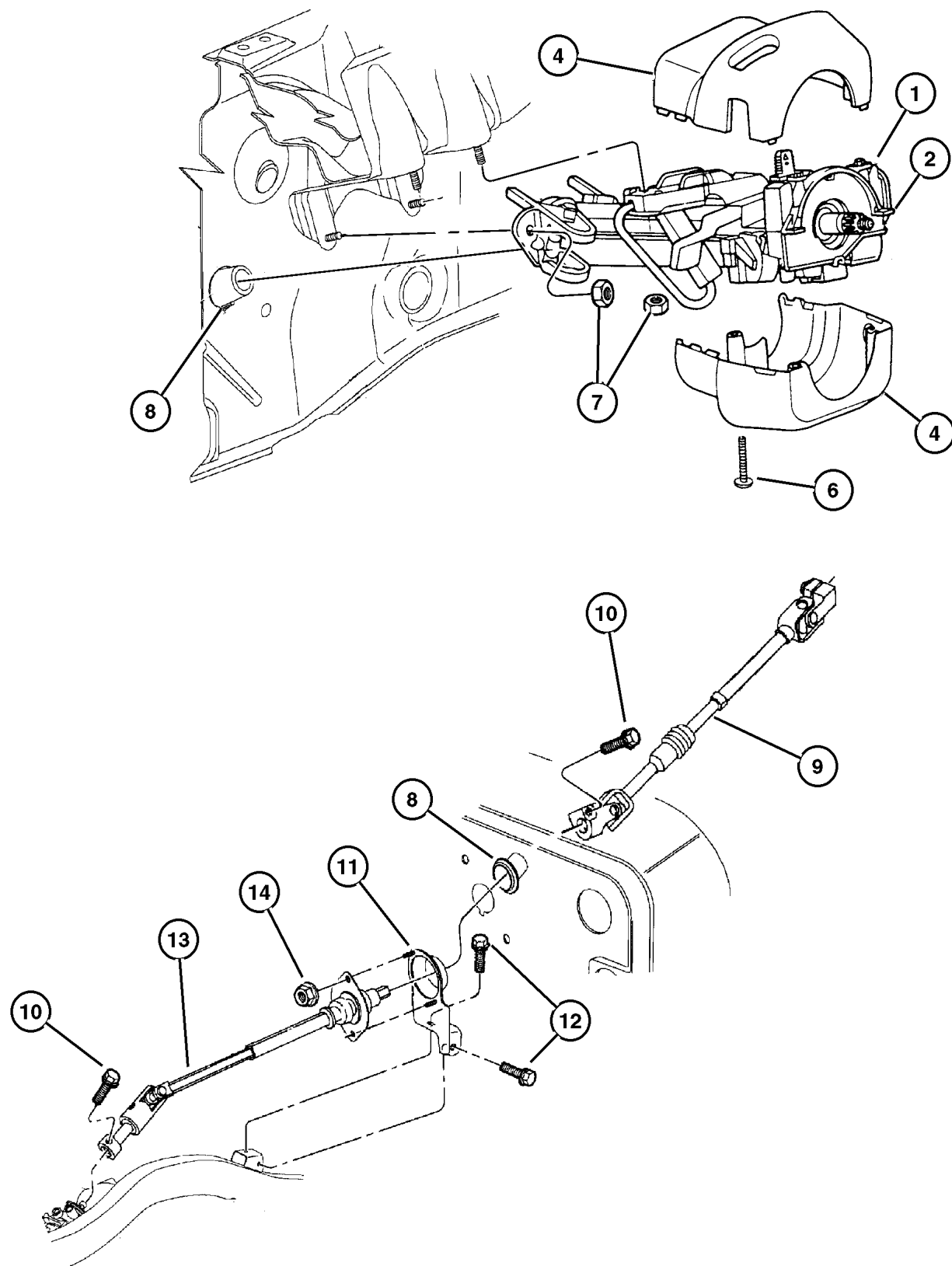
JEEP WRANGLER (TJ)

SERIES	LINE	BODY	ENGINE	TRANSMISSION
L=Low Line	J = Wrangler 4WD U = Wrangler 4WD (RHD)	77 = 93.4 WB	EPE, EP0 = 2.5L Power Tech ERH, ER0 = 4.0L Power Tech	DGG, DGD = 32RH 3 Spd. Auto. DDQ = 5 Spd. Manual DG0 = All Auto. Trans. DBB =All Manual Trans.

AR = Use as required - = Non illustrated part # = New this model year

June 7, 2002

Column, Steering Upper and Lower 1997 TJ
Figure 019-210



ITEM	PART NUMBER	QTY	LINE	SERIES	ENGINE	TRANS	DESCRIPTION
Note: J=Dana 35 Rear Axle---DRK=Dana 44 Rear Axle							
DBB = All Manual Transmissions J=Dana 35 Rear Axle---DRK=Dana 44 Rear Axle							
DG0 = All Automatic Transmissions J=Dana 35 Rear Axle---DRK=Dana 44 Rear Axle							
EP0 = All 2.5L 4 Cyl Gas Engines J=Dana 35 Rear Axle---DRK=Dana 44 Rear Axle							
ER0 = All 4.0L 6 Cyl Gas Engines J=Dana 35 Rear Axle---DRK=Dana 44 Rear Axle							
** Column Shrouds For Early Production Must Have Upper and Lower Changed. J=Dana 35 Rear Axle---DRK=Dana 44 Rear Axle							
1							COLUMN, Steering, Tilt
	4874 428	1	J			DG0	
		1	U			DG0	
2	4897 816AA	1				DBB	COLUMN, steering, non tilt
	4874 426	1	J			DG0	
		1	U			DG0	
	4874 427	1	J			DBB	
		1	U			DBB	
-3							LEVER, Tilt Column Release
	4690 267AC	1				DG0	
		1				DBB	
4							SHROUD, Steering Column
	5FV7 0LAZ	1				DG0	Lwr w/Auto Trans
	5FV7 1LAZ	1				DBB	Upr w/Tilt
		1				DG0	Upr w/Tilt
	5FV7 4LAZ	1				DBB	Upr w/o Tilt
		1				DG0	Upr w/o Tilt
	5FV7 6LAZ	1				DBB	Lwr M/Trans
-5							SHIELD, Steering Column
	5207 9332	1				DG0	Water Resistant and Tilt Lever Stop
		1				DBB	Water Resistant and Tilt Lever Stop
6	6035 434	3					SCREW AND WASHER, Pan Head, .164-18x1.25
7	6501 279	4					NUT, Hex Flange Lock, M8x1.25
8	5531 4949	1					SEAL, Steering Column Shaft, Intermediate Shaft
9	52080 012AB	1					SHAFT, Intermediate, Upper
10	6503 210	3					SCREW, Hex Flange Head, M10x1.5x35., Intermediate Shaft Connection
11							BRACKET, Intermediate Shaft
	5205 8841	1	J			ER0	
	5205 8854	1	U			ER0	
	5205 8855	1	J			EP0	
	52058 856AB	1	U			EP0	
12							SCREW AND WASHER, Hex Head, M10x1.5x35
	6504 153	2	J				M10x1.50x35.00
		2	U				M10x1.50x35.00
13							SHAFT, Intermediate

JEEP WRANGLER (TJ)

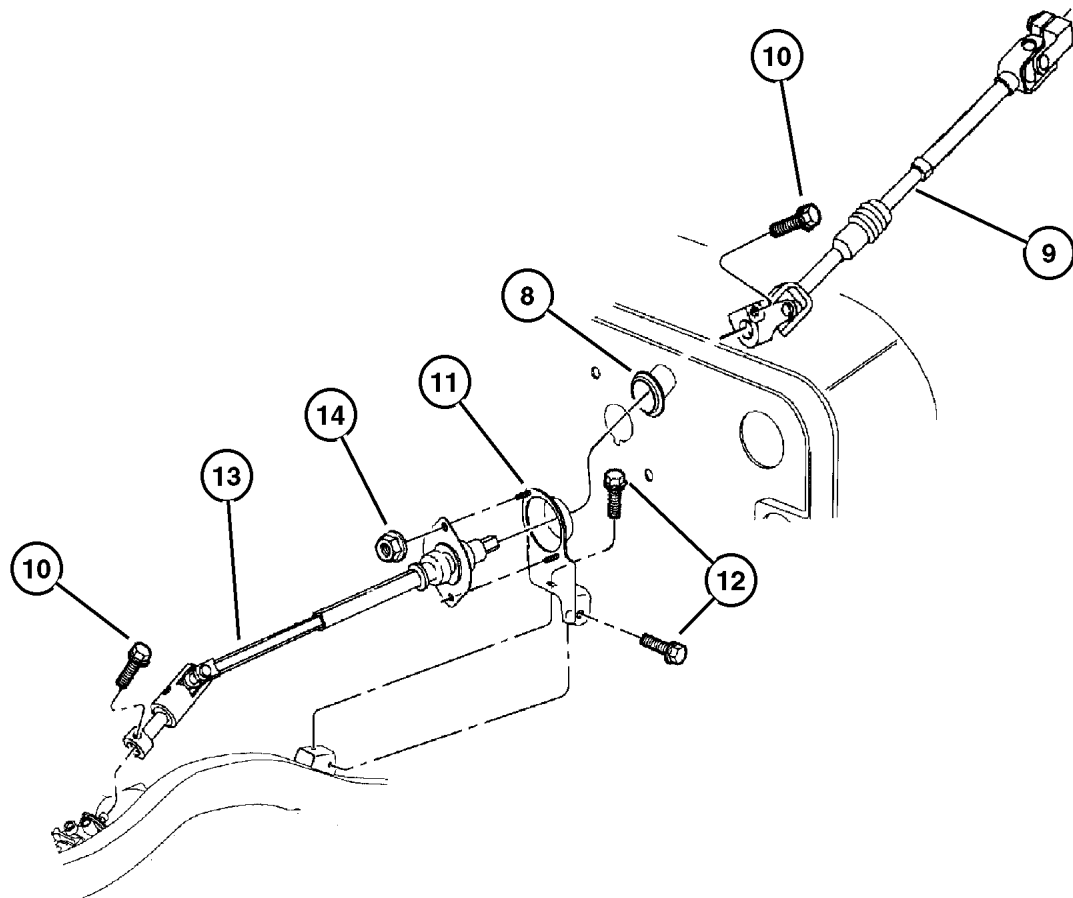
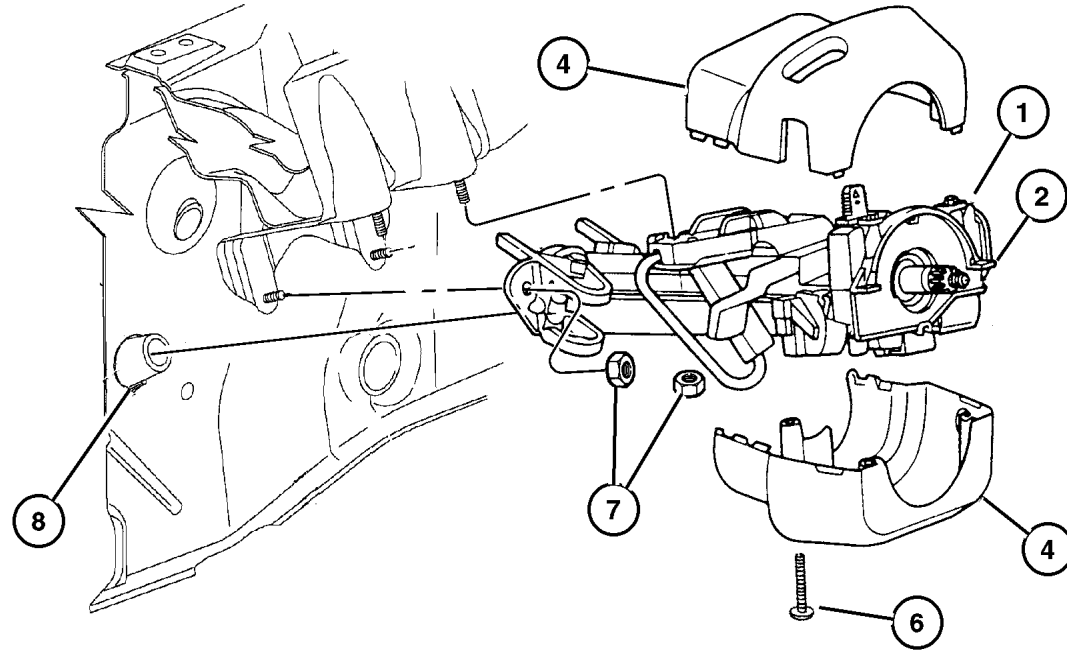
SERIES	LINE	BODY	ENGINE	TRANSMISSION
L=Low Line	J = Wrangler 4WD U = Wrangler 4WD (RHD)	77 = 93.4 WB	EPE, EP0 = 2.5L Power Tech ERH, ER0 = 4.0L Power Tech	DGG, DGD = 32RH 3 Spd. Auto. DDQ = 5 Spd. Manual DG0 = All Auto. Trans. DBB =All Manual Trans.

AR = Use as required - = Non illustrated part # = New this model year

June 7, 2002

Column, Steering Upper and Lower 1997 TJ
Figure 019-210

ITEM	PART NUMBER	QTY	LINE	SERIES	ENGINE	TRANS	DESCRIPTION
	5207 8705	1					Power Steering
	5207 8804	1					
14	6100 516	2					NUT, Hex Flange Lock, M6 Phosphate, M6X1.00

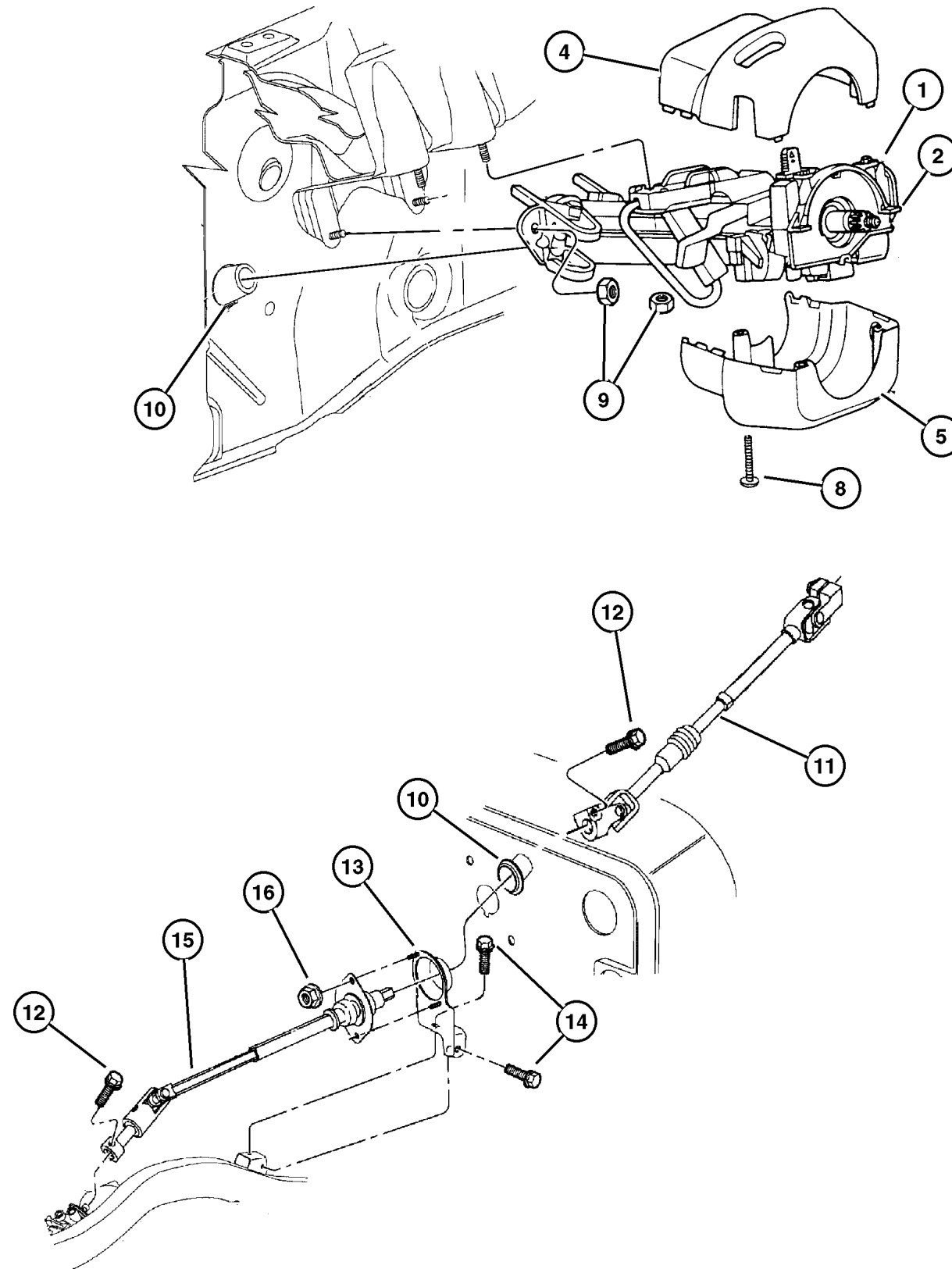


JEEP WRANGLER (TJ)				
SERIES	LINE	BODY	ENGINE	TRANSMISSION
L=Low Line	J = Wrangler 4WD U = Wrangler 4WD (RHD)	77 = 93.4 WB	EPE, EP0 = 2.5L Power Tech ERH, ER0 = 4.0L Power Tech	DGG, DGD = 32RH 3 Spd. Auto. DDQ = 5 Spd. Manual DG0 = All Auto. Trans. DBB =All Manual Trans.

AR = Use as required - = Non illustrated part # = New this model year

June 7, 2002

Column, Steering Upper and Lower 1998 TJ Figure 019-210



ITEM	PART NUMBER	QTY	LINE	SERIES	ENGINE	TRANS	DESCRIPTION
Note: J=Dana 35 Rear Axle---DRK=Dana 44 Rear Axle							
DBB = All Manual Transmissions J=Dana 35 Rear Axle---DRK=Dana 44 Rear Axle							
DG0 = All Automatic Transmissions J=Dana 35 Rear Axle---DRK=Dana 44 Rear Axle							
EP0 = All 2.5L 4 Cyl Gas Engines J=Dana 35 Rear Axle---DRK=Dana 44 Rear Axle							
ER0 = All 4.0L 6 Cyl Gas Engines J=Dana 35 Rear Axle---DRK=Dana 44 Rear Axle							
** Column Shrouds For Early Production Must Have Upper and Lower Changed. J=Dana 35 Rear Axle---DRK=Dana 44 Rear Axle							
1							COLUMN, Steering, Tilt
	4897 814AC	1				DG0	
	4897 816AC	1				DBB	
2							COLUMN, steering, non tilt
	4897 818AB	1				DG0	
	4897 820AB	1				DBB	
-3							LEVER, Tilt Column Release
	4690 267AB	1				DG0	
		1				DBB	
4							SHROUD, Steering Column
	5FV71 LAZAC	1				DG0	w/Tilt Steering, Upper
		1				DBB	w/Tilt Steering, Upper
	5FV74 LAZAC	1				DG0	w/o Tilt Steering, Upper
		1				DBB	w/o Tilt Steering, Upper
5							SHROUD, Steering Column, Lower
	5FV70 LAZAB	1				DG0	
	5FV76 LAZAB	1				DBB	
-6	55314 965AB	1					TRIM RING, Ignition Key Cylinder, without Halo Light
-7							SHIELD, Steering Column
	5207 9332	1				DG0	
		1				DBB	
8	6035 434	3					SCREW AND WASHER, Pan Head, .164-18x1.25 ***
9	6501 279	4					NUT, Hex Flange Lock, M8x1.25, M8x1.25 ***
10	5531 4949	1					SEAL, Steering Column Shaft, Intermediate Shaft Dash Panel
11	52080 012AC	1					SHAFT, Intermediate, Upper
12	6503 210	3					SCREW, Hex Flange Head, M10x1.5x35., Intermediate Shaft Connection
13							BRACKET, Intermediate Shaft
	5205 8841	1	J				ER0
	5205 8854	1	U				ER0
	5205 8855	1	J				EP0
	52058 856AB	1	U				EP0
14	6504 153	2					SCREW AND WASHER, Hex Head, M10x1.5x35
15							SHAFT, Intermediate Power Steering
	5207 8705	1					

JEEP WRANGLER (TJ)

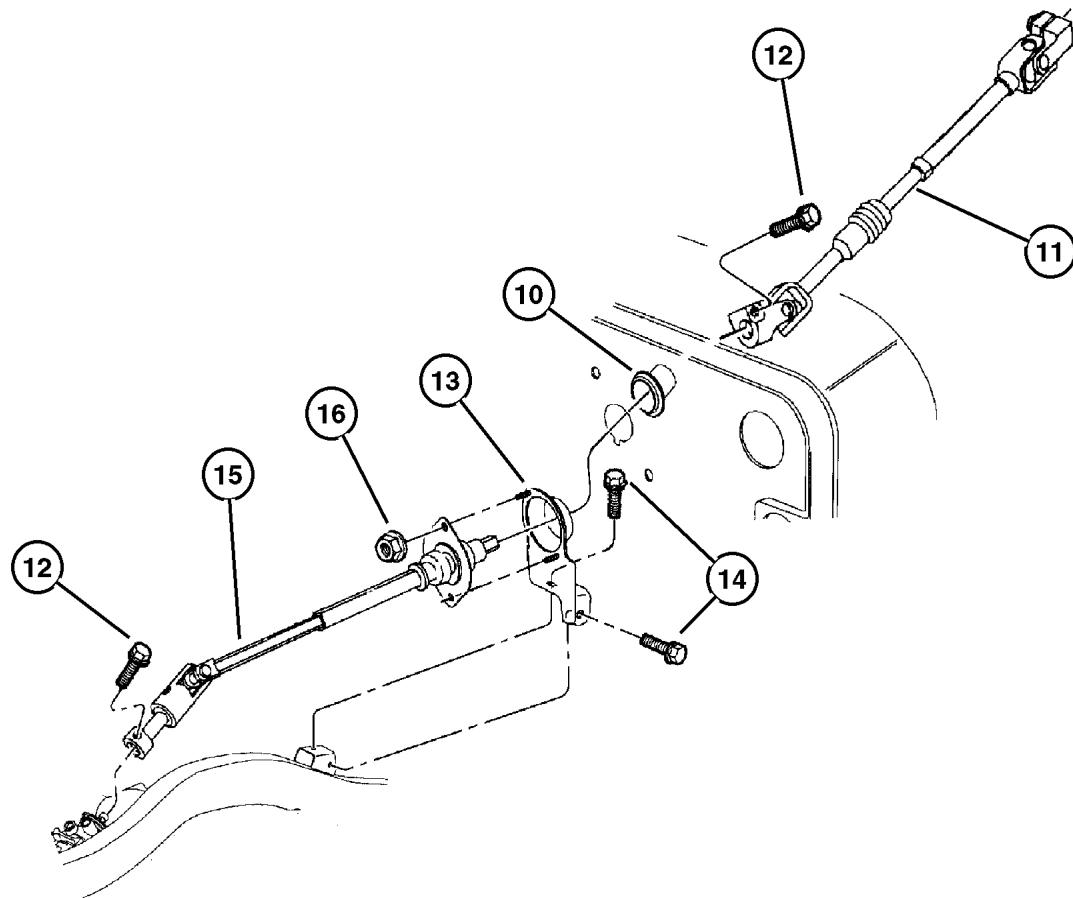
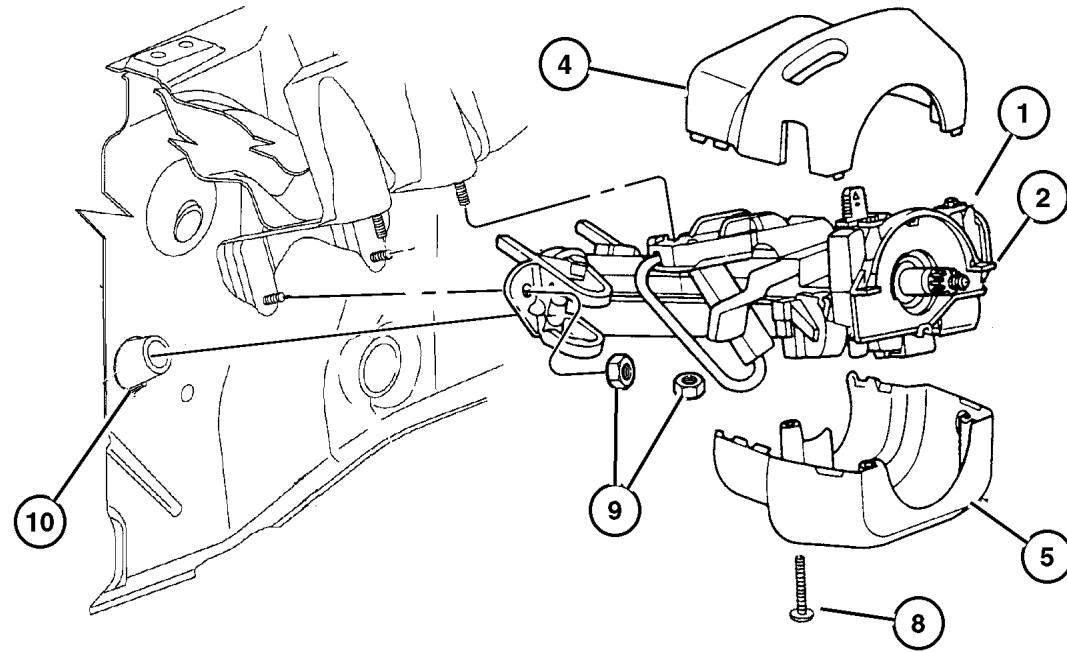
SERIES	LINE	BODY	ENGINE	TRANSMISSION
L=Low Line	J = Wrangler 4WD U = Wrangler 4WD (RHD)	77 = 93.4 WB	EPE, EP0 = 2.5L Power Tech ERH, ER0 = 4.0L Power Tech	DGG, DGD = 32RH 3 Spd. Auto. DDQ = 5 Spd. Manual DG0 = All Auto. Trans. DBB =All Manual Trans.

AR = Use as required - = Non illustrated part # = New this model year

June 7, 2002

Column, Steering Upper and Lower 1998 TJ
Figure 019-210

ITEM	PART NUMBER	QTY	LINE	SERIES	ENGINE	TRANS	DESCRIPTION
	5207 8804	1					
16	6100 516	2					NUT, Hex Flange Lock, M6 Phosphate, M6X1.00



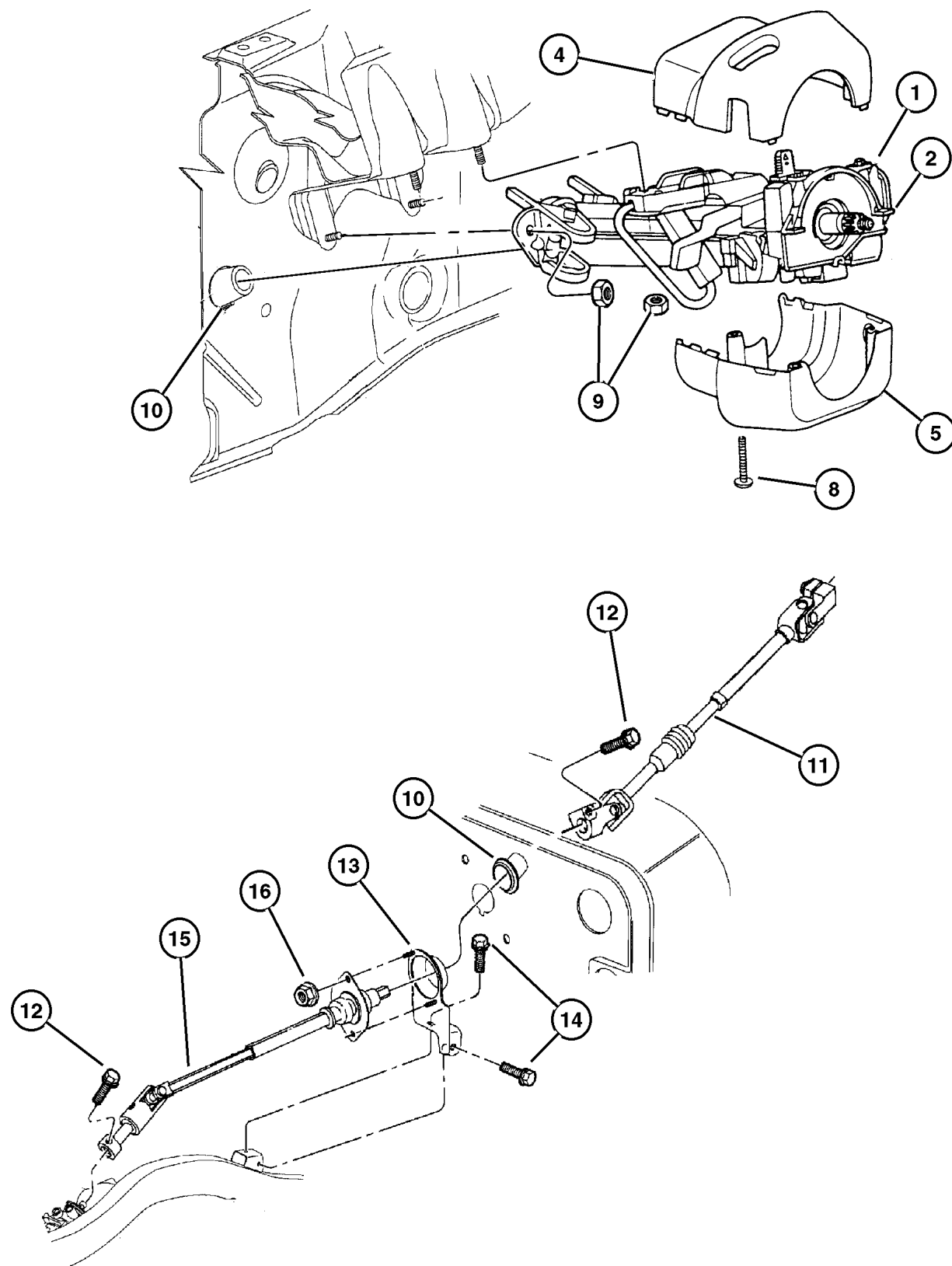
JEEP WRANGLER (TJ)

SERIES	LINE	BODY	ENGINE	TRANSMISSION
L=Low Line	J = Wrangler 4WD U = Wrangler 4WD (RHD)	77 = 93.4 WB	EPE, EP0 = 2.5L Power Tech ERH, ER0 = 4.0L Power Tech	DGG, DGD = 32RH 3 Spd. Auto. DDQ = 5 Spd. Manual DG0 = All Auto. Trans. DBB =All Manual Trans.

AR = Use as required - = Non illustrated part # = New this model year

June 7, 2002

**Column, Steering Upper and Lower 1999 TJ
Figure 019-210**



ITEM	PART NUMBER	QTY	LINE	SERIES	ENGINE	TRANS	DESCRIPTION
Note: J=Dana 35 Rear Axle---DRK=Dana 44 Rear Axle							
DBB = All Manual Transmissions J=Dana 35 Rear Axle---DRK=Dana 44 Rear Axle							
DG0 = All Automatic Transmissions J=Dana 35 Rear Axle---DRK=Dana 44 Rear Axle							
EP0 = All 2.5L 4 Cyl Gas Engines J=Dana 35 Rear Axle---DRK=Dana 44 Rear Axle							
ER0 = All 4.0L 6 Cyl Gas Engines J=Dana 35 Rear Axle---DRK=Dana 44 Rear Axle							
** Column Shrouds For Early Production Must Have Upper and Lower Changed. J=Dana 35 Rear Axle---DRK=Dana 44 Rear Axle							
1							COLUMN, Steering, Tilt
	4897 814AC	1				DG0	
	4897 816AC	1				DBB	
2							COLUMN, steering, non tilt
	4897 818AB	1				DG0	
	4897 820AB	1				DBB	
-3							LEVER, Tilt Column Release
	4690 267AC	1				DG0	
		1				DBB	
4							SHROUD, Steering Column
	5FV71 LAZAC	1				DG0	w/Tilt Steering, Upper
		1				DBB	w/Tilt Steering, Upper
	5FV74 LAZAC	1				DG0	w/o Tilt Steering, Upper
		1				DBB	w/o Tilt Steering, Upper
	5FV70 LAZAC	1				DG0	w/o Tilt Steering
5							SHROUD, Steering Column
	5FV70 LAZAC	1				DG0	
	5FV76 LAZAC	1				DBB	
-6	55314 965AB	1					TRIM RING, Ignition Key Cylinder, Without Halo Light
-7	5207 9332	1				DG0	SHIELD, Steering Column
8	6035 434	3					SCREW AND WASHER, Pan Head, .164-18x1.25
9	6501 279	2					NUT, Hex Flange Lock, M8x1.25
10	5531 4949	1					SEAL, Steering Column Shaft, Intermediate Shaft Dash Panel
11	52080 012AC	1					SHAFT, Intermediate, Upper
12	6503 210	3					SCREW, Hex Flange Head, M10x1.5x35., Intermediate Shaft Connection
13							BRACKET, Intermediate Shaft
	5205 8841	1	J		ER0		
	5205 8854	1	U		ER0		
	5205 8855	1	J		EP0		
	52058 856AB	1	U		EP0		
14	6504 153	2					SCREW AND WASHER, Hex Head, M10x1.5x35
15							SHAFT, Intermediate
	5207 8705	1					Power Steering
	5207 8804	1					
16	6100 516	2					NUT, Hex Flange Lock, M6 Phosphate

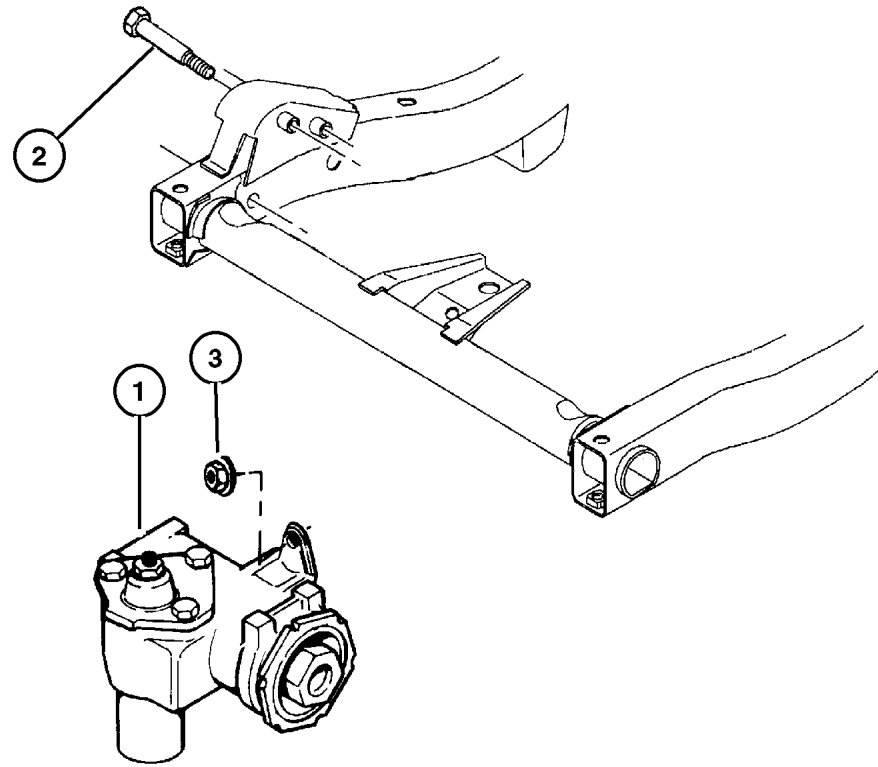
JEEP WRANGLER (TJ)

SERIES	LINE	BODY	ENGINE	TRANSMISSION
L=Low Line	J = Wrangler 4WD U = Wrangler 4WD (RHD)	77 = 93.4 WB	EPE, EP0 = 2.5L Power Tech ERH, ER0 = 4.0L Power Tech	DGG, DGD = 32RH 3 Spd. Auto. DDQ = 5 Spd. Manual DG0 = All Auto. Trans. DBB =All Manual Trans.

AR = Use as required - = Non illustrated part # = New this model year

June 7, 2002

Gear, Steering w/o Power Steering 1997 TJ
Figure 019-310



ITEM	PART NUMBER	QTY	LINE	SERIES	ENGINE	TRANS	DESCRIPTION
1	5200 0089	1	J				GEAR, Manual Steering
2	6035 006	3	J				SCREW AND WASHER, Hex Head
		3	U				
3							NUT AND WASHER, Hex, .437-14x1.380, (NOT SERVICED)

JEEP WRANGLER (TJ)

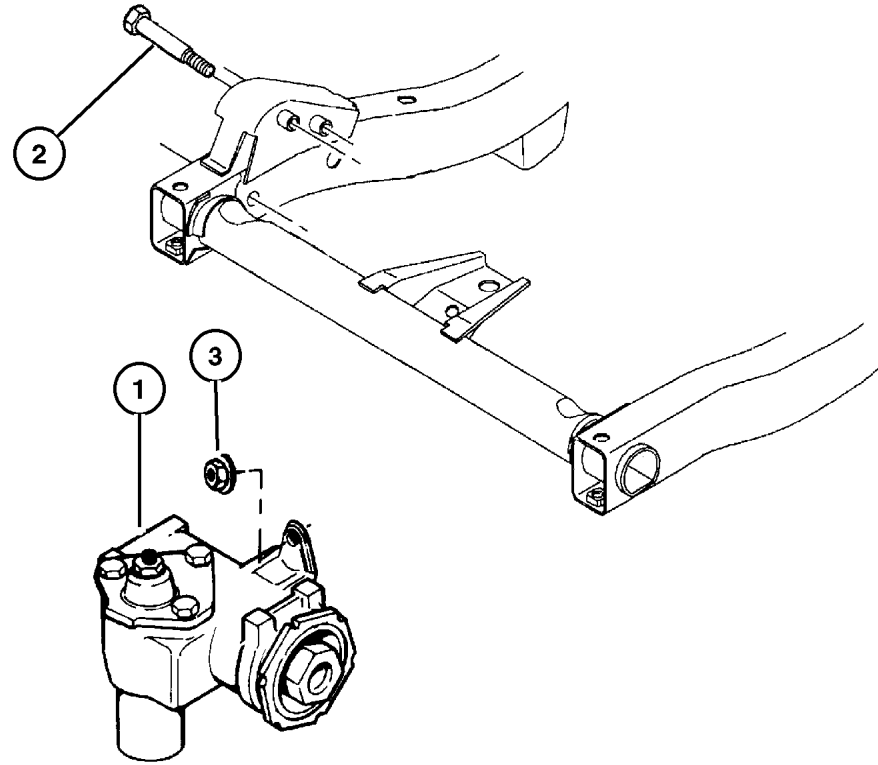
SERIES	LINE	BODY	ENGINE	TRANSMISSION
L=Low Line	J = Wrangler 4WD U = Wrangler 4WD (RHD)	77 = 93.4 WB	EPE, EP0 = 2.5L Power Tech ERH, ER0 = 4.0L Power Tech	DGG, DGD = 32RH 3 Spd. Auto. DDQ = 5 Spd. Manual DG0 = All Auto. Trans. DBB =All Manual Trans.

AR = Use as required - = Non illustrated part # = New this model year

June 7, 2002

Gear, Steering w/o Power Steering 1998 TJ
Figure 019-310

ITEM	PART NUMBER	QTY	LINE	SERIES	ENGINE	TRANS	DESCRIPTION
1	5200 0089	1	J				GEAR, Manual Steering
2	6035 006	3					SCREW AND WASHER, Hex Head
3							NUT AND WASHER, Hex, .437-14x1.380, (NOT SERVICED)

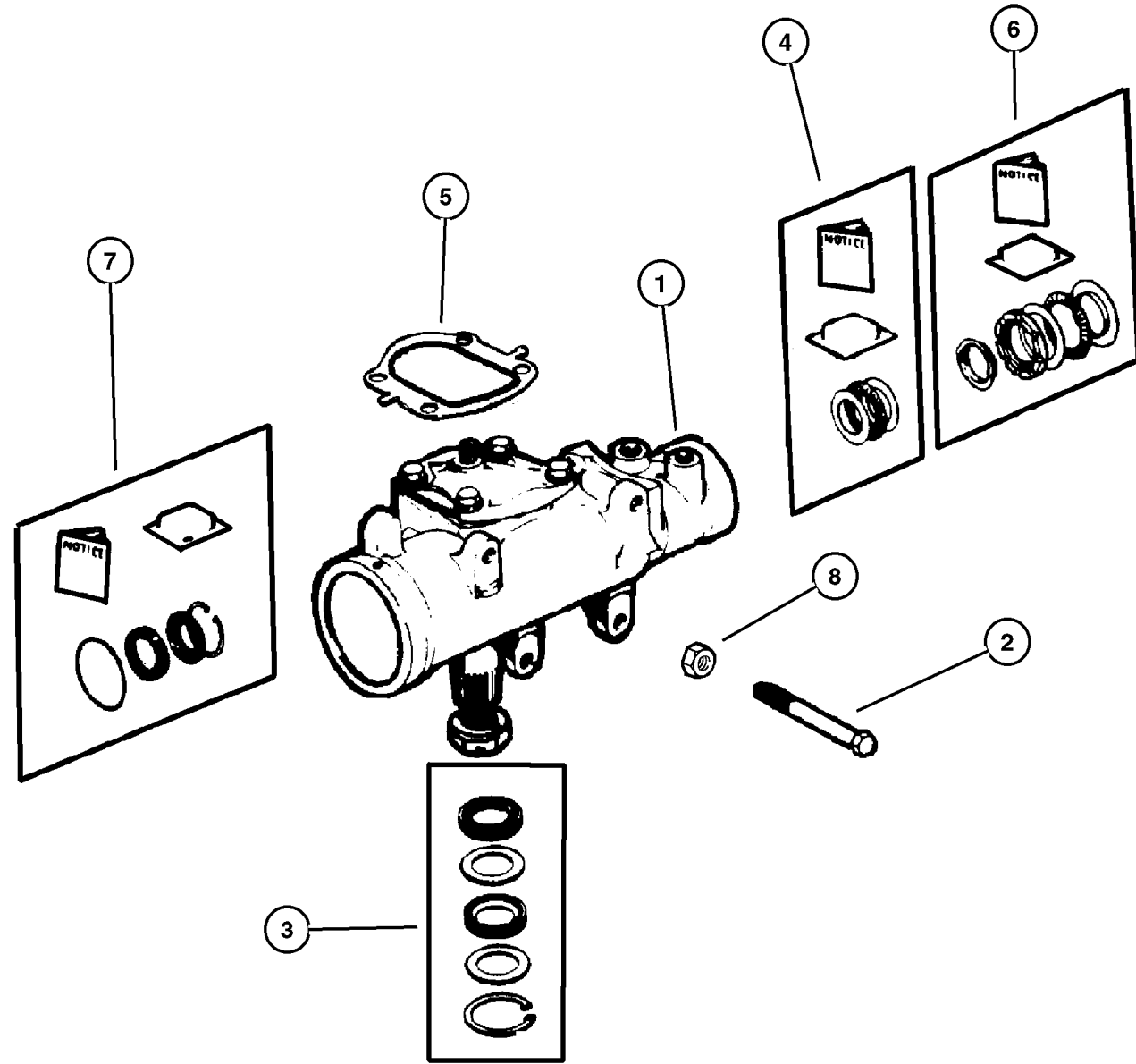


JEEP WRANGLER (TJ)				
SERIES	LINE	BODY	ENGINE	TRANSMISSION
L=Low Line	J = Wrangler 4WD U = Wrangler 4WD (RHD)	77 = 93.4 WB	EPE, EP0 = 2.5L Power Tech ERH, ER0 = 4.0L Power Tech	DGG, DGD = 32RH 3 Spd. Auto. DDQ = 5 Spd. Manual DG0 = All Auto. Trans. DBB =All Manual Trans.

AR = Use as required - = Non illustrated part # = New this model year

June 7, 2002

Gear, Power Steering 1997 TJ
Figure 019-320



ITEM	PART NUMBER	QTY	LINE	SERIES	ENGINE	TRANS	DESCRIPTION
1							GEAR, Power Steering
	5208 9046	1	J				
	5208 9047	1	U				
2							SCREW AND WASHER, Hex Head
	6035 006	3	J				
		3	U				
3							SEAL KIT, Steering gear pitman shaft
	4470 365	1	J				
		1	U				
4							REPAIR KIT, Thurst Bearing, Steering Gear
	4897 000AA	1	J				
		1	U				
5							SEAL, Steering Gear Cover
	3893 558	1	J				
		1	U				
6							SEAL KIT, Steering gear adjuster plug
	4886 349AA	1	J				
		1	U				
7							SEAL KIT, Steering gear end plug
	3893 557	1	U				
		1	J				
8	6101 467	2					NUT, Hex Flange, M8x1.25

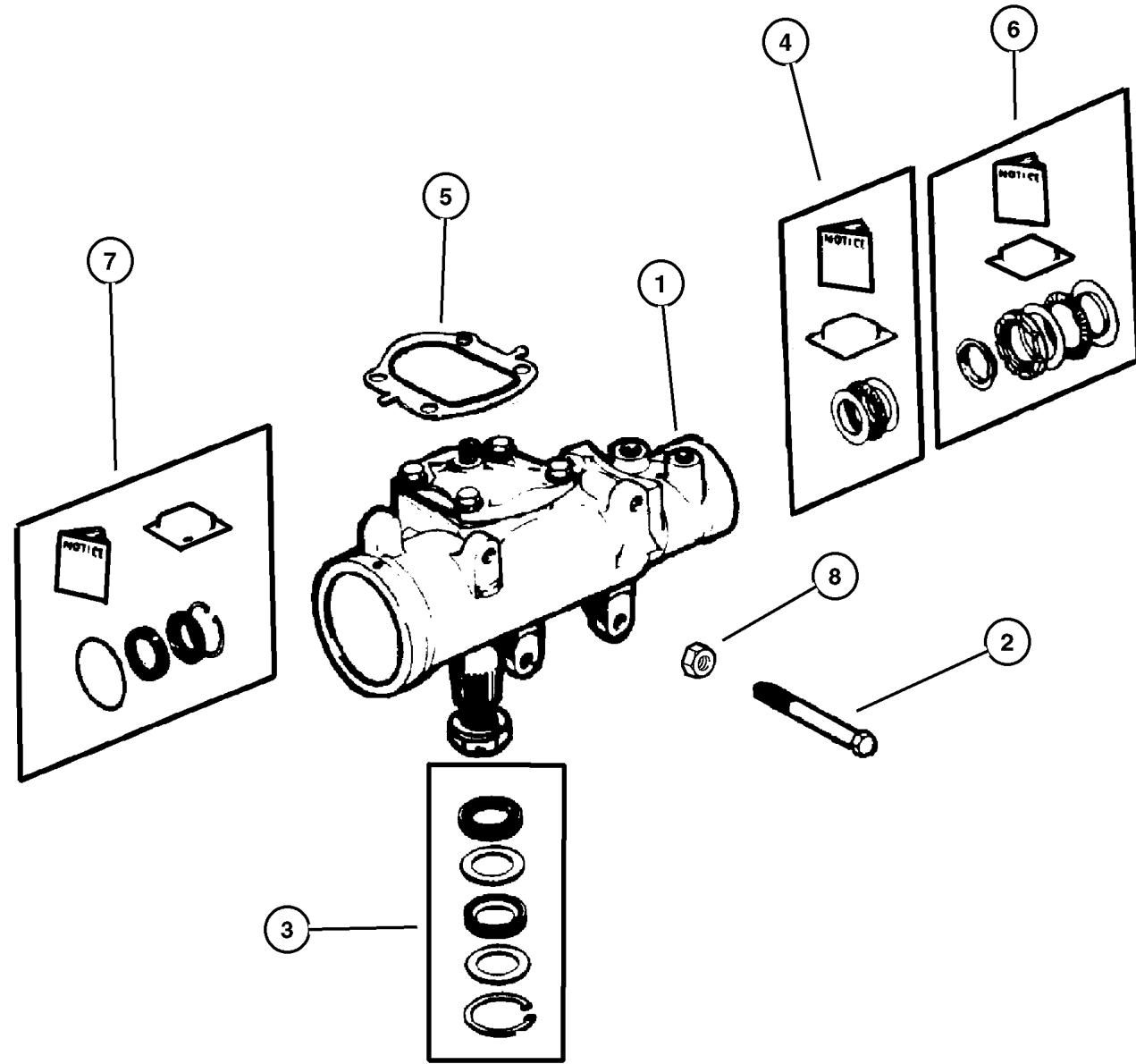
JEEP WRANGLER (TJ)

SERIES	LINE	BODY	ENGINE	TRANSMISSION
L=Low Line	J = Wrangler 4WD U = Wrangler 4WD (RHD)	77 = 93.4 WB	EPE, EP0 = 2.5L Power Tech ERH, ER0 = 4.0L Power Tech	DGG, DGD = 32RH 3 Spd. Auto. DDQ = 5 Spd. Manual DG0 = All Auto. Trans. DBB =All Manual Trans.

AR = Use as required - = Non illustrated part # = New this model year

June 7, 2002

Gear, Power Steering 1998 TJ
Figure 019-320



ITEM	PART NUMBER	QTY	LINE	SERIES	ENGINE	TRANS	DESCRIPTION
1							GEAR, Power Steering
	52089 046AB	1	J				
	52089 079AB	1	U				
2	6036 087AA	3					SCREW AND WASHER
3							SEAL KIT, Steering gear pitman shaft
	4470 365	1	U				
		1	J				
4							REPAIR KIT, Thurst Bearing, Steering Gear
	4897 000AA	1	U				
		1	J				
5							SEAL, Steering Gear Cover
	3893 558	1	U				
		1	J				
6	4886 349AA	1	U				SEAL KIT, Steering gear adjuster plug
7							SEAL KIT, Steering gear end plug
	3893 557	1	U				
		1	J				
8	6101 467	2					NUT, Hex Flange, M8x1.25

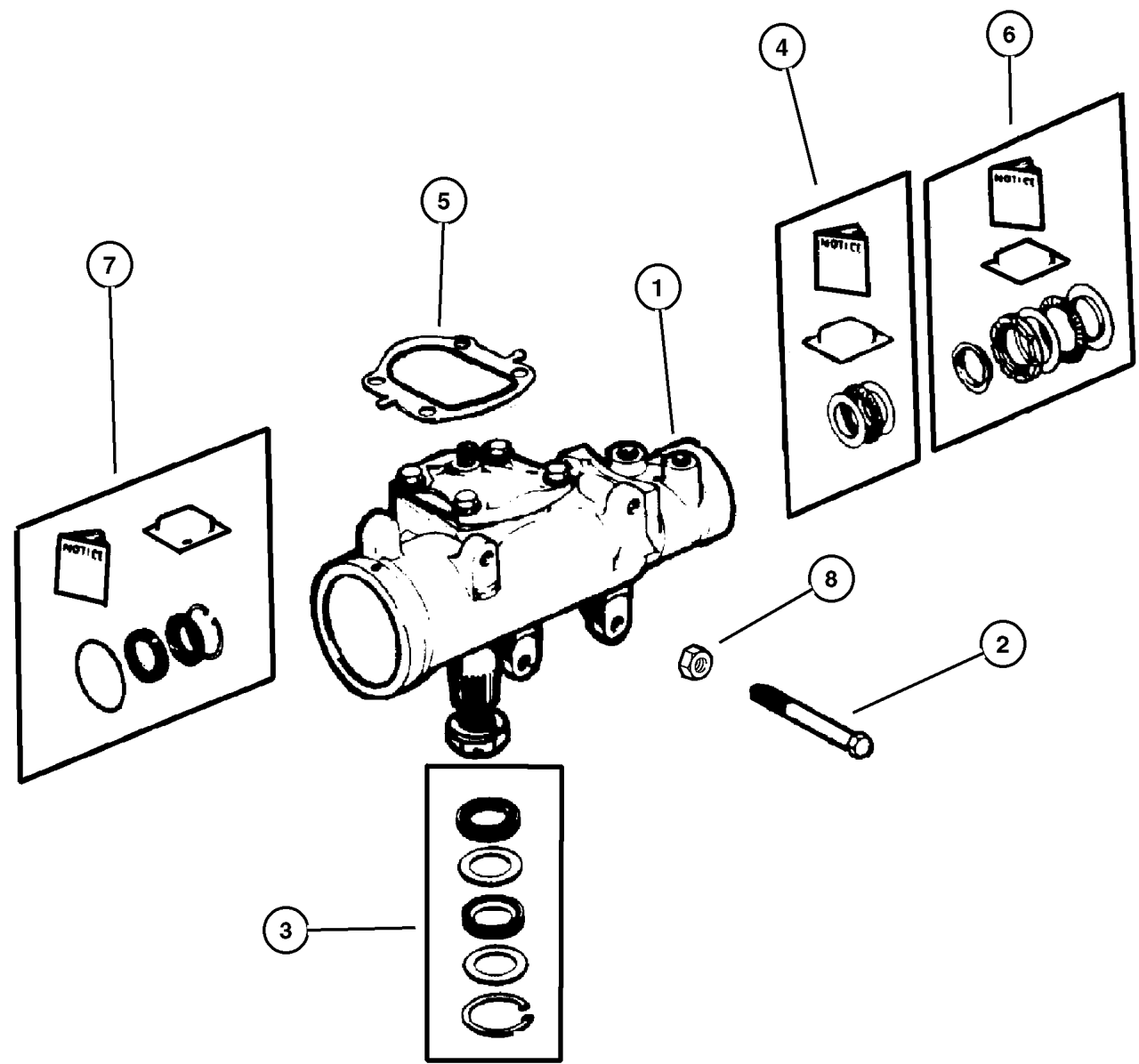
JEEP WRANGLER (TJ)

SERIES	LINE	BODY	ENGINE	TRANSMISSION
L=Low Line	J = Wrangler 4WD U = Wrangler 4WD (RHD)	77 = 93.4 WB	EPE, EP0 = 2.5L Power Tech ERH, ER0 = 4.0L Power Tech	DGG, DGD = 32RH 3 Spd. Auto. DDQ = 5 Spd. Manual DG0 = All Auto. Trans. DBB =All Manual Trans.

AR = Use as required - = Non illustrated part # = New this model year

June 7, 2002

Gear, Power Steering 1999 TJ
Figure 019-320



ITEM	PART NUMBER	QTY	LINE	SERIES	ENGINE	TRANS	DESCRIPTION
------	-------------	-----	------	--------	--------	-------	-------------

Note: J=Dana 35 Rear Axle---DRK=Dana 44 Rear Axle
 EPO = All 2.5L 4 Cyl Gas Engines J=Dana 35 Rear Axle---DRK=Dana 44 Rear Axle
 ERO = All 4.0L 6 Cyl Gas Engines J=Dana 35 Rear Axle---DRK=Dana 44 Rear Axle

1	52089 046AB	1	J				GEAR, Power Steering LHD
	52089 079AB	1	U				RHD
2	6036 087AA	3					SCREW AND WASHER
3	4470 365	1	J				SEAL KIT, Steering gear pitman shaft
		1	U				
4	4897 000AA	1	J				REPAIR KIT, Thurst Bearing, Steering Gear
		1	U				
5	3893 558	1	J				SEAL, Steering Gear Cover
		1	U				
6	4886 349AA	1	U				SEAL KIT, Steering gear adjuster plug
7	3893 557	1	J				SEAL KIT, Steering gear end plug
		1	U				
8	6101 467	1			EPO, ERO		NUT, Hex Flange, M8x1.25

JEEP WRANGLER (TJ)		BODY	ENGINE	TRANSMISSION
SERIES	LINE			
L=Low Line	J = Wrangler 4WD U = Wrangler 4WD (RHD)	77 = 93.4 WB	EPE, EP0 = 2.5L Power Tech ERH, ER0 = 4.0L Power Tech	DGG, DGD = 32RH 3 Spd. Auto. DDQ = 5 Spd. Manual DG0 = All Auto. Trans. DBB =All Manual Trans.

Linkage and Damper 1997 TJ
Figure 019-410

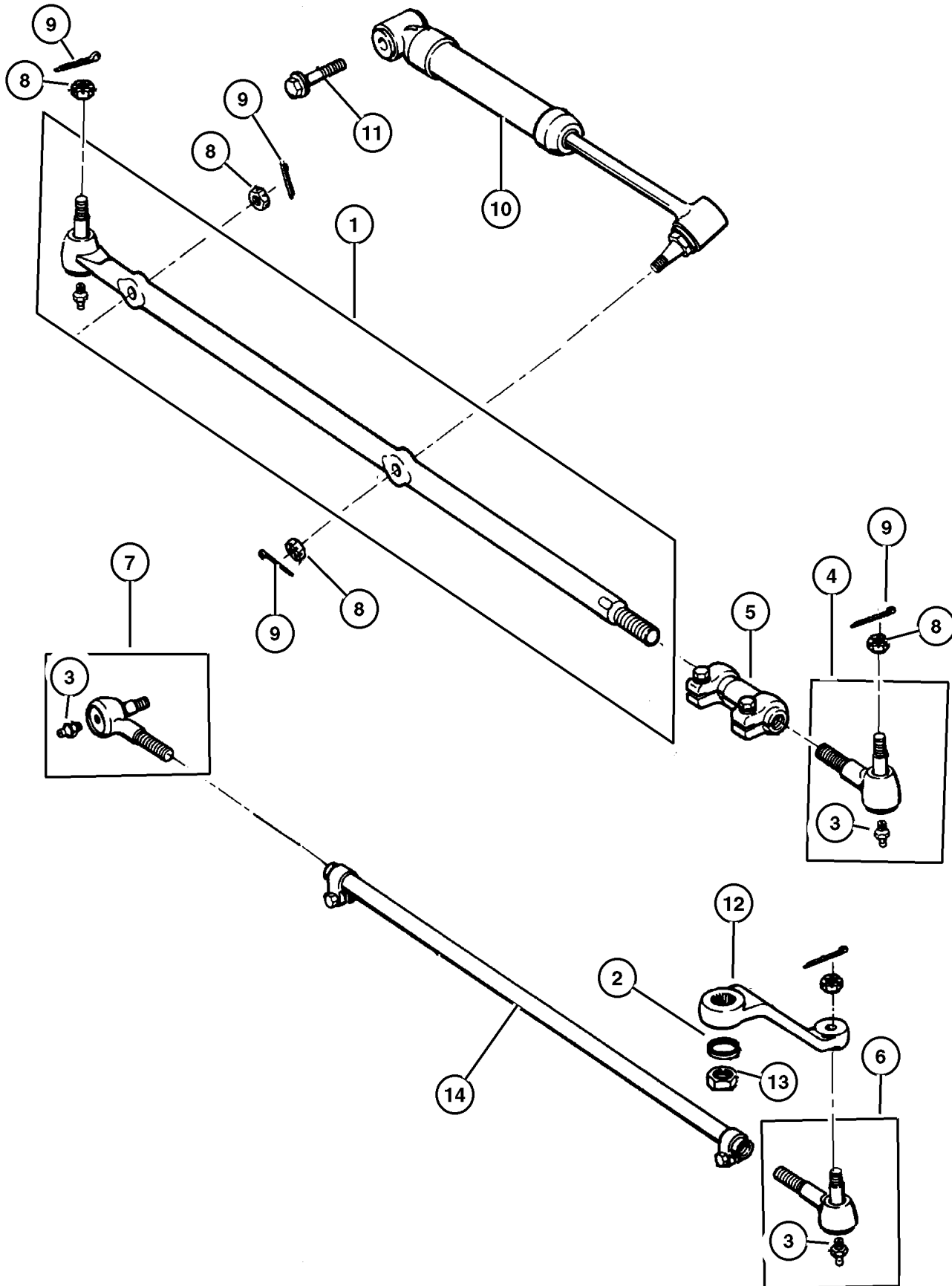
ITEM	PART NUMBER	QTY	LINE	SERIES	ENGINE	TRANS	DESCRIPTION
1	5208 7887	1	J				SOCKET, Drag Link, Outer
2							WASHER, Lock, .875x1.469, (NOT SERVICED)
3							FITTING PACKAGE, Grease
	8350 7064	1	U				
		1	J				
4							SOCKET, Tie Rod, Outer
	5200 5739	1	U				
		1	J				
5	5203 7536	1	J				TUBE, Tie Rod
6							SOCKET, Tie Rod, Outer
	5200 5741	1	U				
		1	J				
7							SOCKET, Tie Rod, Inner
	5200 5740	1	U				
		1	J				
8							NUT, Hex, .50-20
	6034 358	1	J				
		1	U				
9							PIN, Cotter, (NOT SERVICED)
10	5208 7827	1	J				DAMPER, Steering Linkage
11							BOLT, Hex Flange Head, .50-13x2.25, (NOT SERVICED)
12							ARM, Pitman Power Steering
	5203 8337	1	J				
	5203 8338	1	U				
	5208 7883	1	J				
13							NUT, Steering Gear Arm, (NOT SERVICED)
14	5208 7674	1	J				TUBE, Tie Rod

JEEP WRANGLER (TJ)

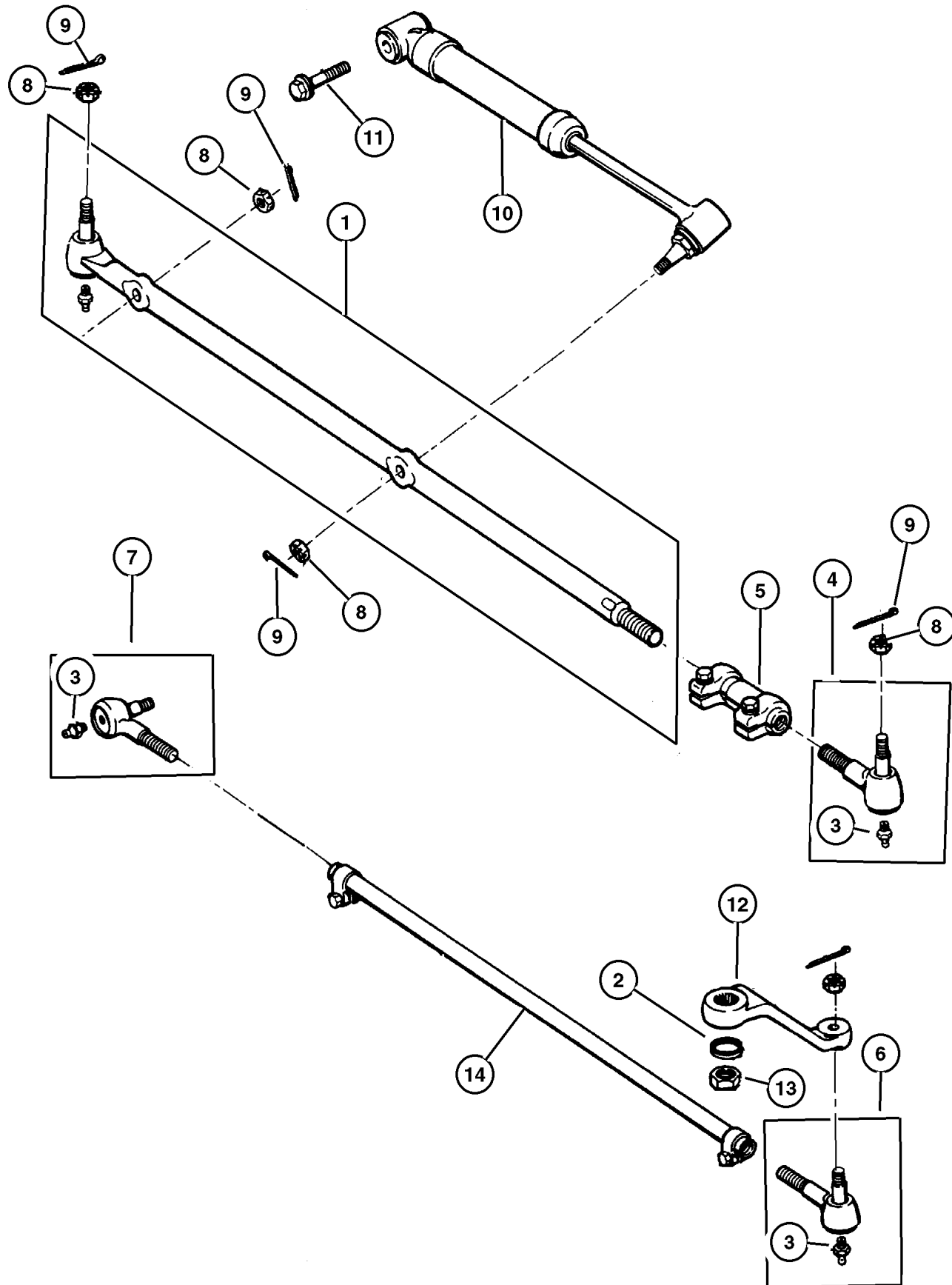
SERIES	LINE	BODY	ENGINE	TRANSMISSION
L=Low Line	J = Wrangler 4WD U = Wrangler 4WD (RHD)	77 = 93.4 WB	EPE, EP0 = 2.5L Power Tech ERH, ER0 = 4.0L Power Tech	DGG, DGD = 32RH 3 Spd. Auto. DDQ = 5 Spd. Manual DG0 = All Auto. Trans. DBB =All Manual Trans.

AR = Use as required - = Non illustrated part # = New this model year

June 7, 2002



Linkage and Damper 1998 TJ
Figure 019-410



ITEM	PART NUMBER	QTY	LINE	SERIES	ENGINE	TRANS	DESCRIPTION
1	5208 7887	1	J				SOCKET, Drag Link, Outer
2							WASHER, Lock, .875x1.469, (NOT SERVICED)
3							FITTING PACKAGE, Grease
	8350 7064	1	U				
		1	J				
4							SOCKET, Tie Rod, Outer
	5200 5739	1	U				
		1	J				
5	5203 7536	1	J				TUBE, Tie Rod
6							SOCKET, Tie Rod, Outer
	5200 5741	1	U				
		1	J				
7							SOCKET, Tie Rod, Inner
	5200 5740	1	U				
		1	J				
8	6034 358	1					NUT, Hex, .50-20
9							PIN, Cotter, (NOT SERVICED)
10	5208 7827	1	J				DAMPER, Steering Linkage
11							BOLT, Hex Flange Head, .50-13x2.25, (NOT SERVICED)
12							ARM, Pitman
	5203 8337	1	J				w/LHD w/Power Steering
	5203 8338	1	U				w/RHD
	5208 7883	1	J				w/LHD w/Man, Steering
13							NUT, Steering Gear Arm, (NOT SERVICED)
14	5208 7674	1	J				TUBE, Tie Rod

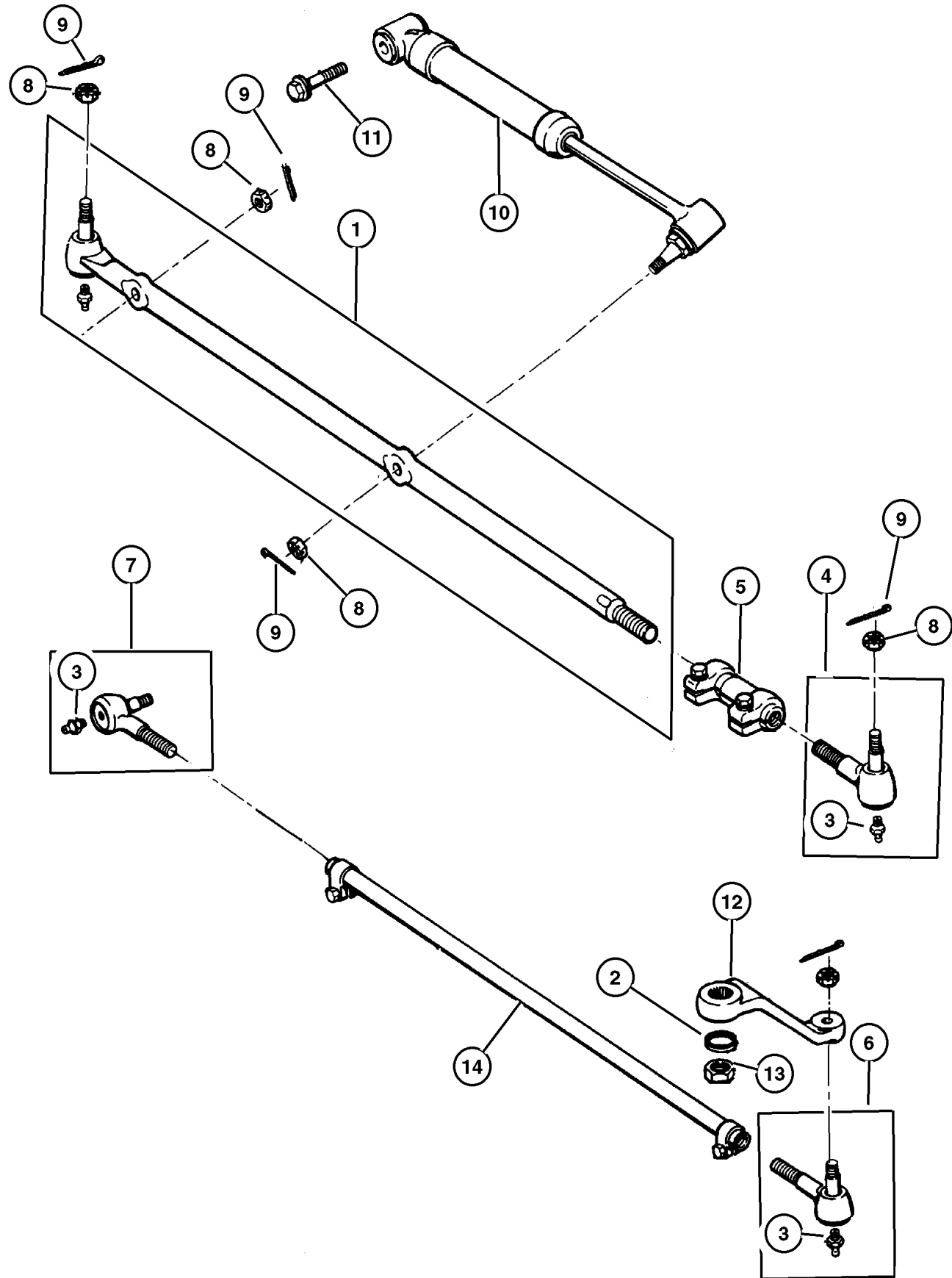
JEEP WRANGLER (TJ)

SERIES	LINE	BODY	ENGINE	TRANSMISSION
L=Low Line	J = Wrangler 4WD U = Wrangler 4WD (RHD)	77 = 93.4 WB	EPE, EP0 = 2.5L Power Tech ERH, ER0 = 4.0L Power Tech	DGG, DGD = 32RH 3 Spd. Auto. DDQ = 5 Spd. Manual DG0 = All Auto. Trans. DBB =All Manual Trans.

AR = Use as required - = Non illustrated part # = New this model year

June 7, 2002

Linkage and Damper 1999 TJ
Figure 019-410

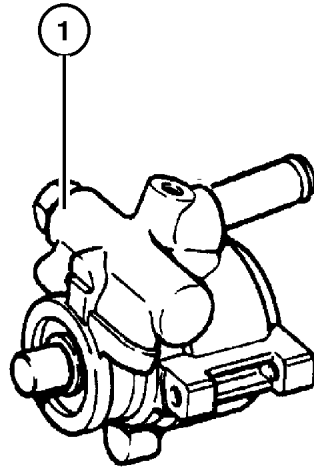


ITEM	PART NUMBER	QTY	LINE	SERIES	ENGINE	TRANS	DESCRIPTION
1	5208 7887	1	J				SOCKET, Drag Link, Outer
2							WASHER, Lock, .875x1.469, (NOT SERVICED)
3							FITTING PACKAGE, Grease
	8350 7064	1	U				
		1	J				
4							SOCKET, Tie Rod, Outer
	5200 5739	1	U				
		1	J				
5	5203 7536	1	J				TUBE, Tie Rod
6							SOCKET, Tie Rod, Outer
	5200 5741	1	U				
		1	J				
7							SOCKET, Tie Rod, Inner
	5200 5740	1	U				
		1	J				
8	6034 358	1					NUT, Hex, .50-20
9							PIN, Cotter, (NOT SERVICED)
10	5208 7827	1	J				DAMPER, Steering Linkage
11							BOLT, Hex Flange Head, .50-13x2.25, (NOT SERVICED)
12							ARM, Pitman
	5203 8337	1	J				w/LHD
	5203 8338	1	U				w/RHD
13							NUT, Steering Gear Arm, (NOT SERVICED)
14	5208 7674	1	J				TUBE, Tie Rod

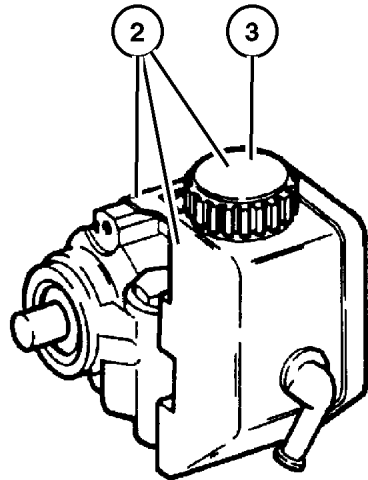
JEEP WRANGLER (TJ)

SERIES	LINE	BODY	ENGINE	TRANSMISSION
L=Low Line	J = Wrangler 4WD U = Wrangler 4WD (RHD)	77 = 93.4 WB	EPE, EP0 = 2.5L Power Tech ERH, ER0 = 4.0L Power Tech	DGG, DGD = 32RH 3 Spd. Auto. DDQ = 5 Spd. Manual DG0 = All Auto. Trans. DBB =All Manual Trans.

Pump, Power Steering 1997 TJ
Figure 019-510



W/2.5L



W/4.0L

ITEM	PART NUMBER	QTY	LINE	SERIES	ENGINE	TRANS	DESCRIPTION
------	-------------	-----	------	--------	--------	-------	-------------

Note: J=Dana 35 Rear Axle---DRK=Dana 44 Rear Axle

ENC = 2.5L 4 Cyl Turbo Diesel Engine J=Dana 35 Rear Axle---DRK=Dana 44 Rear Axle

EP0 = All 2.5L 4 Cyl Gas Engines J=Dana 35 Rear Axle---DRK=Dana 44 Rear Axle

ER0 = All 4.0L 6 Cyl Gas Engines J=Dana 35 Rear Axle---DRK=Dana 44 Rear Axle

1	5208 8018	1			EP0		PUMP, Power Steering
2	5208 7871	1			ER0		PUMP, Power Steering
3	4897 287AA	1			ER0		CAP, Power Steering Reservoir

JEEP WRANGLER (TJ)

SERIES	LINE	BODY	ENGINE	TRANSMISSION
L=Low Line	J = Wrangler 4WD U = Wrangler 4WD (RHD)	77 = 93.4 WB	EPE, EP0 = 2.5L Power Tech ERH, ER0 = 4.0L Power Tech	DGG, DGD = 32RH 3 Spd. Auto. DDQ = 5 Spd. Manual DG0 = All Auto. Trans. DBB =All Manual Trans.

AR = Use as required - = Non illustrated part # = New this model year

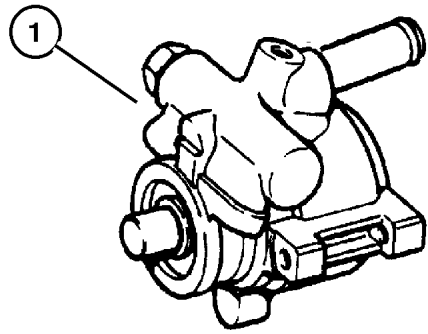
June 7, 2002

Pump, Power Steering 1998 TJ
Figure 019-510

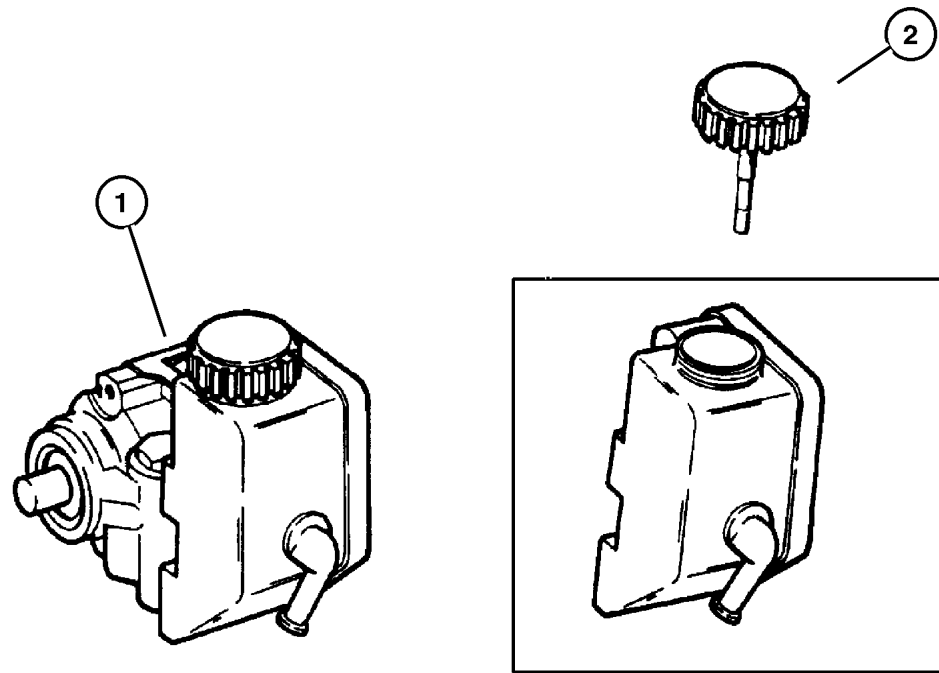
ITEM	PART NUMBER	QTY	LINE	SERIES	ENGINE	TRANS	DESCRIPTION
------	-------------	-----	------	--------	--------	-------	-------------

Note: J=Dana 35 Rear Axle---DRK=Dana 44 Rear Axle
EPO = All 2.5L 4 Cyl Gas Engines J=Dana 35 Rear Axle---DRK=Dana 44 Rear Axle
ER0 = All 4.0L 6 Cyl Gas Engines J=Dana 35 Rear Axle---DRK=Dana 44 Rear Axle

1	52087 871AD	1			ER0		PUMP, Power Steering
	5208 8018	1			EPO		
2	4694 766	1			EPO		CAP, Power Steering Pump



W/2.5L



W/4.0L

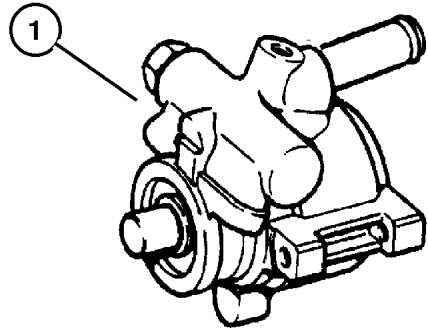
JEEP WRANGLER (TJ)

SERIES	LINE	BODY	ENGINE	TRANSMISSION
L=Low Line	J = Wrangler 4WD U = Wrangler 4WD (RHD)	77 = 93.4 WB	EPE, EP0 = 2.5L Power Tech ERH, ER0 = 4.0L Power Tech	DGG, DGD = 32RH 3 Spd. Auto. DDQ = 5 Spd. Manual DG0 = All Auto. Trans. DBB =All Manual Trans.

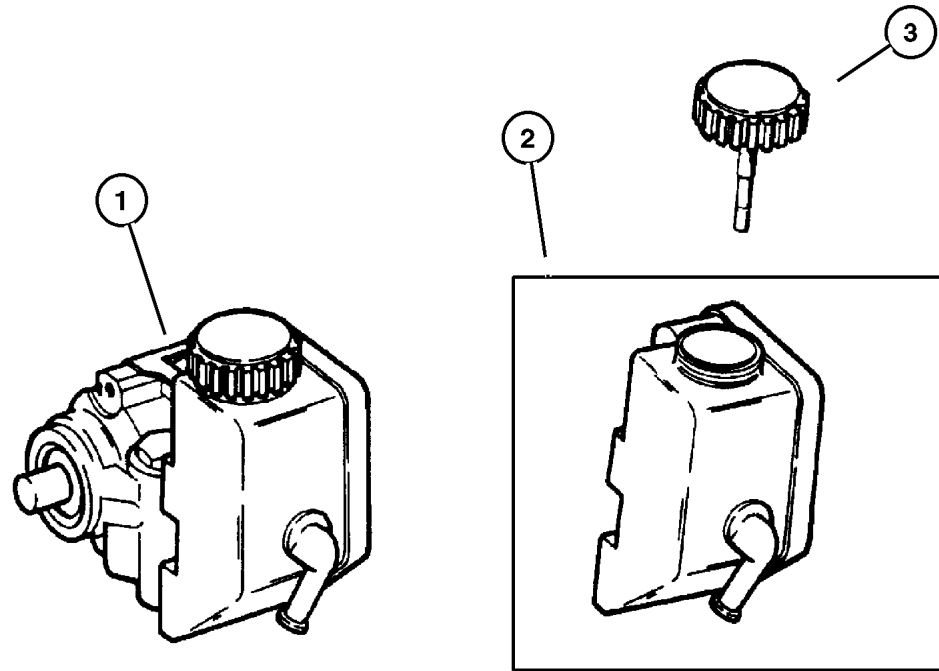
AR = Use as required - = Non illustrated part # = New this model year

June 7, 2002

Pump, Power Steering 1999 TJ
Figure 019-510



W/2.5L



W/4.0L

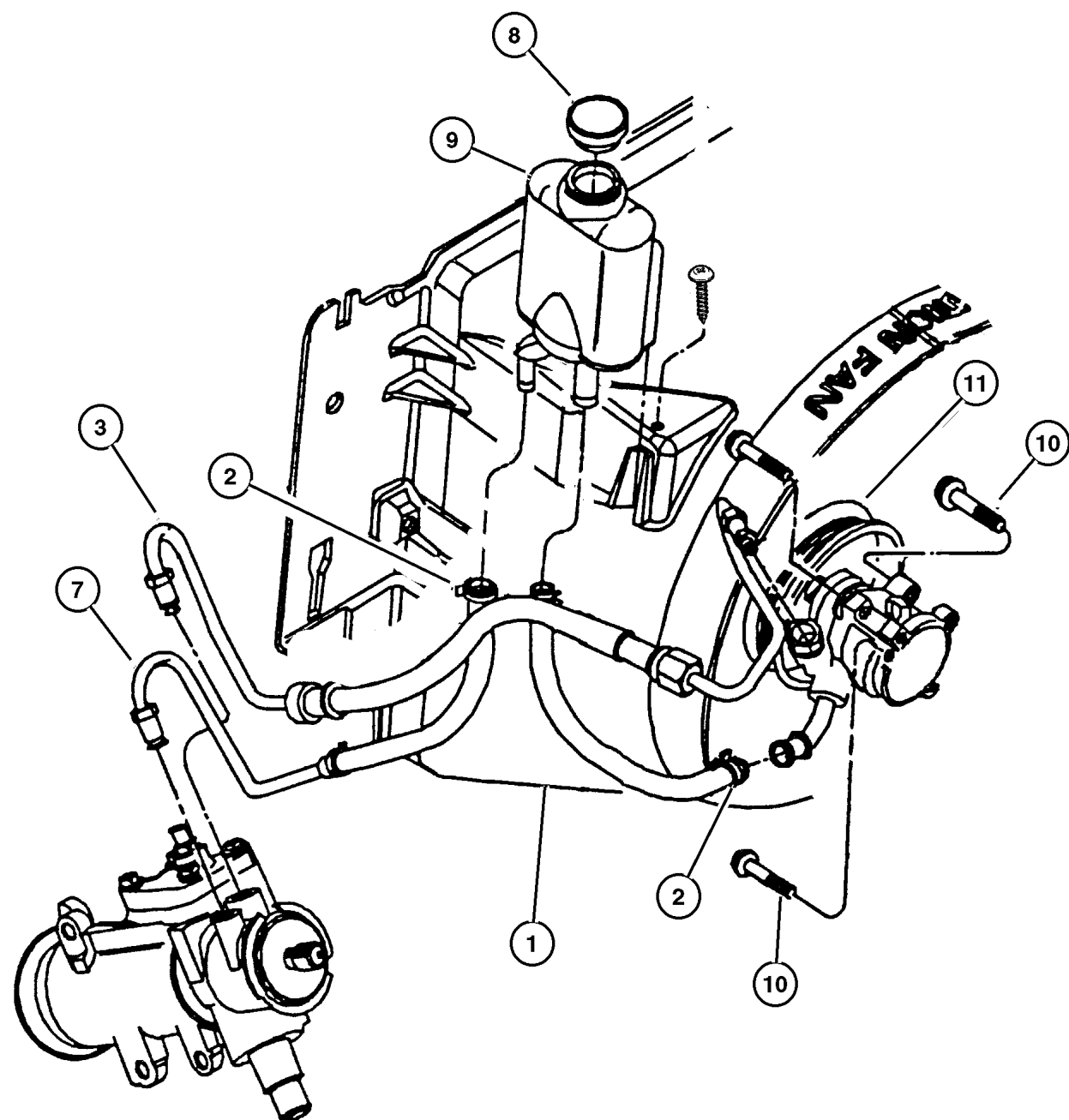
ITEM	PART NUMBER	QTY	LINE	SERIES	ENGINE	TRANS	DESCRIPTION
Note: J=Dana 35 Rear Axle---DRK=Dana 44 Rear Axle							
EPO = All 2.5L 4 Cyl Gas Engines J=Dana 35 Rear Axle---DRK=Dana 44 Rear Axle							
ER0 = All 4.0L 6 Cyl Gas Engines J=Dana 35 Rear Axle---DRK=Dana 44 Rear Axle							
1							PUMP, Power Steering
	52087 871AD	1			ER0		
	5208 8018	1			EPO		
2	52087 713AB	1			EPO		RESERVOIR, Power Steering Pump
3	4694 766	1			EPO		CAP, Power Steering Pump

JEEP WRANGLER (TJ)		BODY	ENGINE	TRANSMISSION
SERIES	LINE			
L=Low Line	J = Wrangler 4WD U = Wrangler 4WD (RHD)	77 = 93.4 WB	EPE, EP0 = 2.5L Power Tech ERH, ER0 = 4.0L Power Tech	DGG, DGD = 32RH 3 Spd. Auto. DDQ = 5 Spd. Manual DG0 = All Auto. Trans. DBB =All Manual Trans.

AR = Use as required - = Non illustrated part # = New this model year

June 7, 2002

Hoses and Reservoir, Power Steering Wrangler, w/2.5L Engine 1997 TJ
Figure 019-710



ITEM	PART NUMBER	QTY	LINE	SERIES	ENGINE	TRANS	DESCRIPTION
Note: J=Dana 35 Rear Axle---DRK=Dana 44 Rear Axle							
ENC = 2.5L 4 Cyl Turbo Diesel Engine J=Dana 35 Rear Axle---DRK=Dana 44 Rear Axle							
EP0 = All 2.5L 4 Cyl Gas Engines J=Dana 35 Rear Axle---DRK=Dana 44 Rear Axle							
ER0 = All 4.0L 6 Cyl Gas Engines J=Dana 35 Rear Axle---DRK=Dana 44 Rear Axle							
1	5208 8541	1			EP0		HOSE, Power Steering Reservoir, Return - Pump To Reservoir
2	2448 761	1	J		ER0		CLAMP, Hose
		1	U		ER0		
		1	J		EP0		
		1	U		EP0		
3	52087 825AB	1	U		EP0		HOSE, Power Steering Pressure
	52088 548AB	1	J		EP0		
-4	3420 1888	1	U				SCREW, Hex Head, Clamp, M8x1.25x25.00
-5	6035 358	1	U				CLIP, Oil Cooler Tube, Single Tube (MIDDLE EAST)
-6	4486 273	1	U				BRACKET, Power Steering Hose, Double Tube
7							HOSE, Power Steering Return
	5208 7795	1	U		EP0		
	5208 7926	1	J		EP0		
8	4694 766	1			ENC,		CAP, Power Steering Pump, Reservoir
					EP0		
9	52087 713AB	1			EP0		RESERVOIR, Power Steering Pump
10							SCREW AND WASHER, Hex Head, M8x1.25x95
	6502 425	3	J		EP0		Pump Mounting M8x1.25x95.00
		3	J		ER0		Pump Mounting M8x1.25x95.00
		3	U		EP0		Pump Mounting M8x1.25x95.00
		3	U		ER0		Pump Mounting M8x1.25x95.00
11	5301 0258	1			EP0,		PULLEY, Power Steering Pump, Power Steering
					ER0		

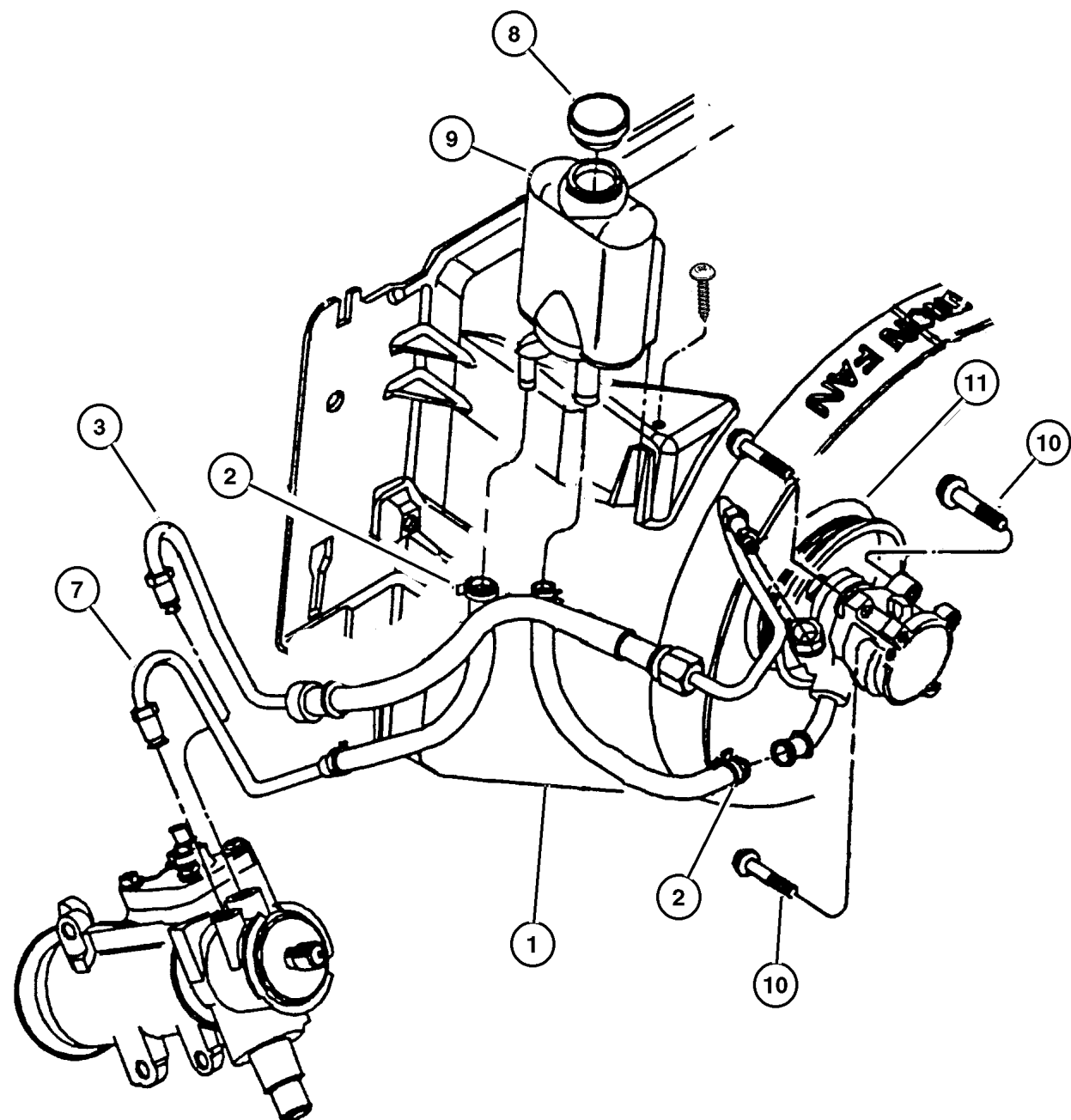
JEEP WRANGLER (TJ)

SERIES	LINE	BODY	ENGINE	TRANSMISSION
L=Low Line	J = Wrangler 4WD U = Wrangler 4WD (RHD)	77 = 93.4 WB	EPE, EP0 = 2.5L Power Tech ERH, ER0 = 4.0L Power Tech	DGG, DGD = 32RH 3 Spd. Auto. DDQ = 5 Spd. Manual DGO = All Auto. Trans. DBB =All Manual Trans.

AR = Use as required - = Non illustrated part # = New this model year

June 7, 2002

Hoses and Reservoir, Power Steering Wrangler, w/2.5L Engine 1998 TJ
Figure 019-710



ITEM	PART NUMBER	QTY	LINE	SERIES	ENGINE	TRANS	DESCRIPTION
Note: J=Dana 35 Rear Axle---DRK=Dana 44 Rear Axle							
EPO = All 2.5L 4 Cyl Gas Engines J=Dana 35 Rear Axle---DRK=Dana 44 Rear Axle							
ER0 = All 4.0L 6 Cyl Gas Engines J=Dana 35 Rear Axle---DRK=Dana 44 Rear Axle							
1	5208 8541	1			EPO		HOSE, Power Steering Reservoir
2							CLAMP, Hose
	2448 761	1	J		ER0		
		1	U		ER0		
		1	J		EPO		
		1	U		EPO		
3							HOSE, Power Steering Pressure
	52087 825AB	1	U		EPO		
	52088 548AB	1	J		EPO		(w/O-rings #5205254)
-4	3420 1888	1	U				SCREW, Hex Head, Clamp, M8x1.25x25.00
-5	6035 358	1	U				CLIP, Oil Cooler Tube, Single Tube (MIDDLE EAST)
-6	4486 273	1	U				BRACKET, Power Steering Hose, Double Tube
7							HOSE, Power Steering Return
	5208 7795	1	U		EPO		
	5208 7926	1	J		EPO		
8	4694 766	1			EPO		CAP, Power Steering Pump
9	52087 713AB	1			EPO		RESERVOIR, Power Steering Pump
10							SCREW AND WASHER, Hex Head, M8x1.25x95
	6502 425	3	J		EPO		Pump Mounting M8x1.25x95.00
		3	J		ER0		Pump Mounting M8x1.25x95.00
		3	U		EPO		Pump Mounting M8x1.25x95.00
		3	U		ER0		Pump Mounting M8x1.25x95.00
11	5301 0258	1			EPO, ER0		PULLEY, Power Steering Pump, Power Steering

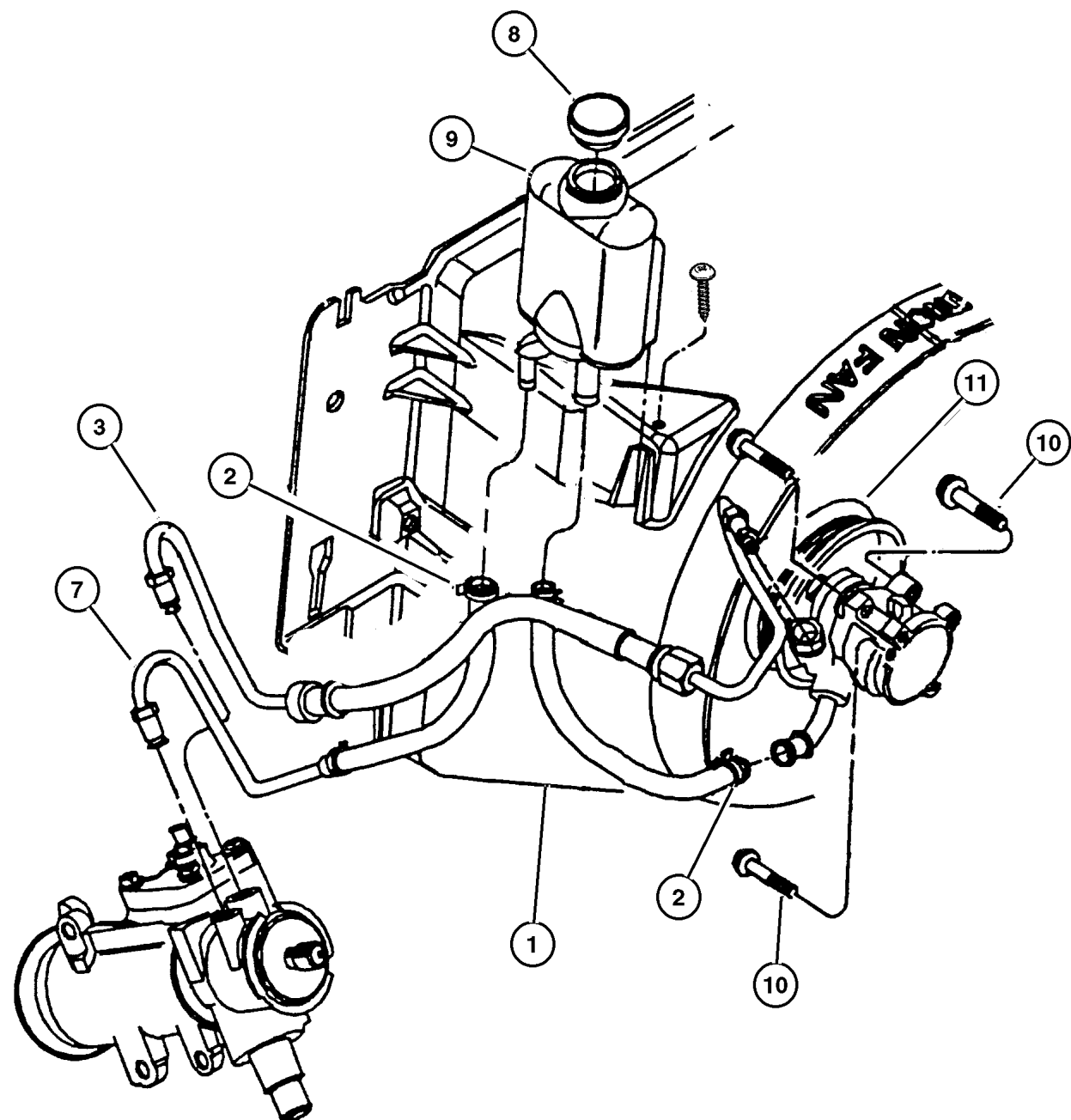
JEEP WRANGLER (TJ)

SERIES	LINE	BODY	ENGINE	TRANSMISSION
L=Low Line	J = Wrangler 4WD U = Wrangler 4WD (RHD)	77 = 93.4 WB	EPE, EPO = 2.5L Power Tech ERH, ER0 = 4.0L Power Tech	DGG, DGD = 32RH 3 Spd. Auto. DDQ = 5 Spd. Manual DGO = All Auto. Trans. DBB =All Manual Trans.

AR = Use as required - = Non illustrated part # = New this model year

June 7, 2002

Hoses and Reservoir, Power Steering Wrangler, w/2.5L Engine 1999 TJ
Figure 019-710



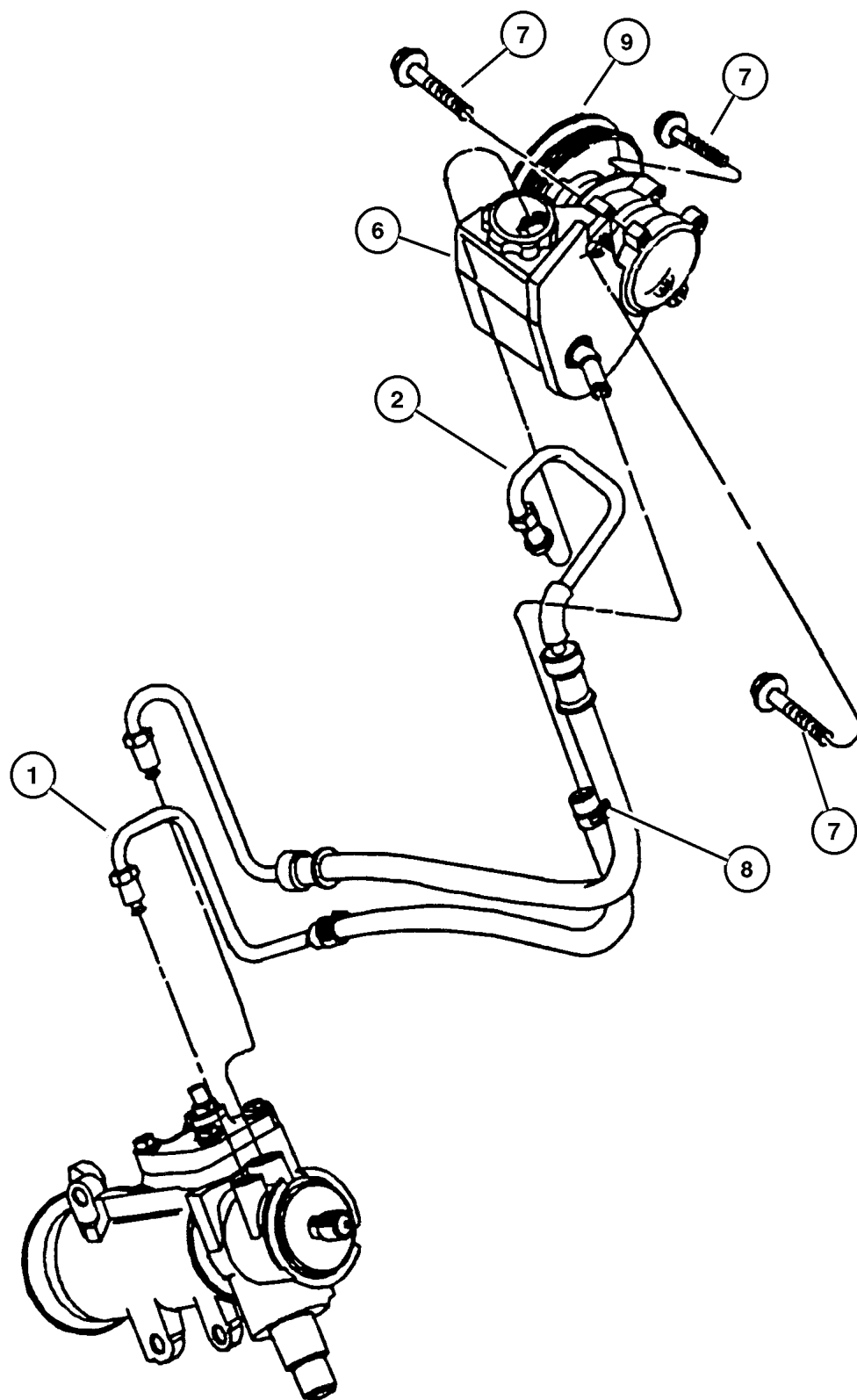
ITEM	PART NUMBER	QTY	LINE	SERIES	ENGINE	TRANS	DESCRIPTION
Note: J=Dana 35 Rear Axle---DRK=Dana 44 Rear Axle							
EPO = All 2.5L 4 Cyl Gas Engines J=Dana 35 Rear Axle---DRK=Dana 44 Rear Axle							
ER0 = All 4.0L 6 Cyl Gas Engines J=Dana 35 Rear Axle---DRK=Dana 44 Rear Axle							
1	5208 8541	1			EPO		HOSE, Power Steering Reservoir
2							CLAMP, Hose
	2448 761	1	U		ER0		
		1	U		EPO		
		1	J		EPO		
		1	J		ER0		
3							HOSE, Power Steering Pressure
	52087 825AB	1	U		EPO		
	52088 548AB	1	J		EPO		(w/O-rings #5205254)
-4	3420 1888	1	U				SCREW, Hex Head, Clamp, M8x1.25x25.00
-5	6035 358	1	U				CLIP, Oil Cooler Tube, Single Tube (MIDDLE EAST)
-6	4486 273	1	U				BRACKET, Power Steering Hose, Double Tube
7							HOSE, Power Steering Return
	5208 7795	1	U		EPO		
	5208 7926	1	J		EPO		
8	4694 766	1			EPO		CAP, Power Steering Pump
9	52087 713AB	1			EPO		RESERVOIR, Power Steering Pump
10	6502 425	3			EPO,		SCREW AND WASHER, Hex Head, M8x1.25x95
					ER0		
11	#53010 258AB	1			EPO,		PULLEY, Power Steering Pump
					ER0		

JEEP WRANGLER (TJ)				
SERIES	LINE	BODY	ENGINE	TRANSMISSION
L=Low Line	J = Wrangler 4WD U = Wrangler 4WD (RHD)	77 = 93.4 WB	EPE, EPO = 2.5L Power Tech ERH, ER0 = 4.0L Power Tech	DGG, DGD = 32RH 3 Spd. Auto. DDQ = 5 Spd. Manual DG0 = All Auto. Trans. DBB =All Manual Trans.

AR = Use as required - = Non illustrated part # = New this model year

June 7, 2002

Hoses and Reservoir, Power Steering Wrangler, w/4.0L Engine 1997 TJ
Figure 019-720



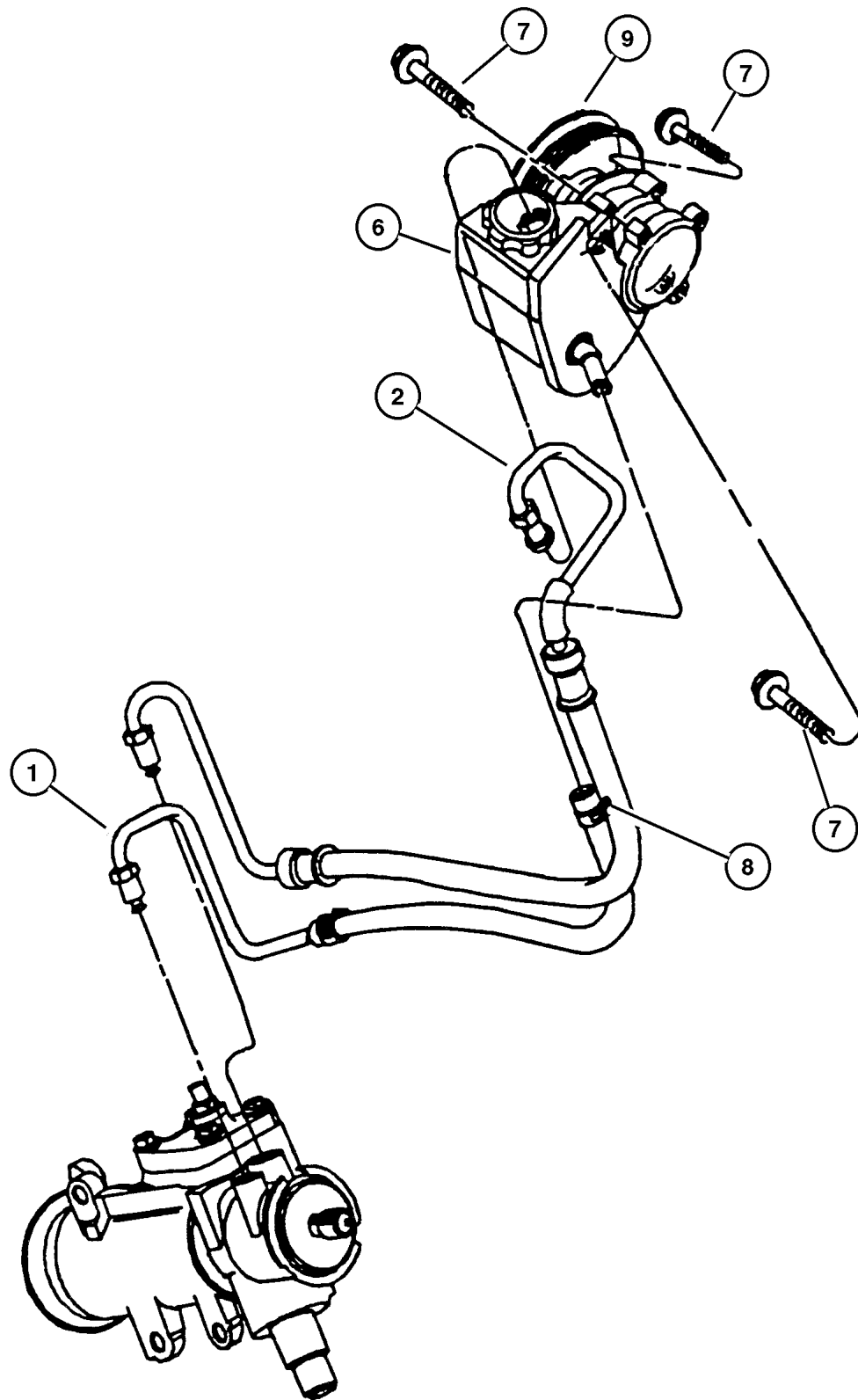
ITEM	PART NUMBER	QTY	LINE	SERIES	ENGINE	TRANS	DESCRIPTION
Note: J=Dana 35 Rear Axle---DRK=Dana 44 Rear Axle							
ENC = 2.5L 4 Cyl Turbo Diesel Engine J=Dana 35 Rear Axle---DRK=Dana 44 Rear Axle							
EP0 = All 2.5L 4 Cyl Gas Engines J=Dana 35 Rear Axle---DRK=Dana 44 Rear Axle							
ER0 = All 4.0L 6 Cyl Gas Engines J=Dana 35 Rear Axle---DRK=Dana 44 Rear Axle							
1							HOSE, Power Steering Return
	5203 8423	1	J		ER0		
	5203 8424	1	U		ER0		
2							HOSE, Power Steering Pressure
	5208 7902	1	J		ER0		
	5208 7903	1	U		ER0		
-3	3420 1888	1	U				SCREW, Hex Head, Clamp RHD, M8x1.25x25.00
-4	6035 358	1	U				CLIP, Oil Cooler Tube, Single Line, (MIDDLE EAST)
-5	5200 2044	1	U				CLIP, Oil Tube, Double Line
6	4694 766	1			ENC, EP0		CAP, Power Steering Pump, Reservoir
7							SCREW AND WASHER, Hex Head, M8x1.25x95
	6502 425	3	J		EP0		
		3	J		ER0		
		3	U		EP0		
		3	U		ER0		
8							CLAMP, Hose
	2448 761	1	J		ER0		
		1	U		ER0		
		1	J		EP0		
		1	U		EP0		
9	5301 0258	1			EP0, ER0		PULLEY, Power Steering Pump

JEEP WRANGLER (TJ)
 SERIES LINE BODY ENGINE TRANSMISSION
 L=Low Line J = Wrangler 4WD 77 = 93.4 WB EPE, EP0 = 2.5L Power Tech DGG, DGD = 32RH 3 Spd. Auto.
 U = Wrangler 4WD (RHD) ERH, ER0 = 4.0L Power Tech DDQ = 5 Spd. Manual
 DG0 = All Auto. Trans.
 DBB =All Manual Trans.

AR = Use as required - = Non illustrated part # = New this model year

June 7, 2002

Hoses and Reservoir, Power Steering Wrangler, w/4.0L Engine 1998 TJ
Figure 019-720



ITEM	PART NUMBER	QTY	LINE	SERIES	ENGINE	TRANS	DESCRIPTION
Note: J=Dana 35 Rear Axle---DRK=Dana 44 Rear Axle							
EPO = All 2.5L 4 Cyl Gas Engines J=Dana 35 Rear Axle---DRK=Dana 44 Rear Axle							
ER0 = All 4.0L 6 Cyl Gas Engines J=Dana 35 Rear Axle---DRK=Dana 44 Rear Axle							
1							HOSE, Power Steering Return
	5203 8423	1	J		ER0		
	5203 8424	1	U		ER0		
2							HOSE, Power Steering Pressure
	5208 7902	1	J		ER0		
	5208 7903	1	U		ER0		
-3							SCREW, Hex Head
	3420 1888	3					
		1	U				Clamp RHD, M8x1.25x25.00
-4	6035 358	1	U				CLIP, Oil Cooler Tube, Single Line, (MIDDLE EAST)
-5	5200 2044	1	U				CLIP, Oil Tube, Double Line
6	4694 766	1			EPO		CAP, Power Steering Pump
7							SCREW AND WASHER, Hex Head, M8x1.25x95
	6502 425	3	J		EPO		
		3	J		ER0		
		3	U		EPO		
		3	U		ER0		
8							CLAMP, Hose
	2448 761	1	J		ER0		
		1	U		ER0		
		1	J		EPO		
		1	U		EPO		
9	5301 0258	1			EPO, ER0		PULLEY, Power Steering Pump

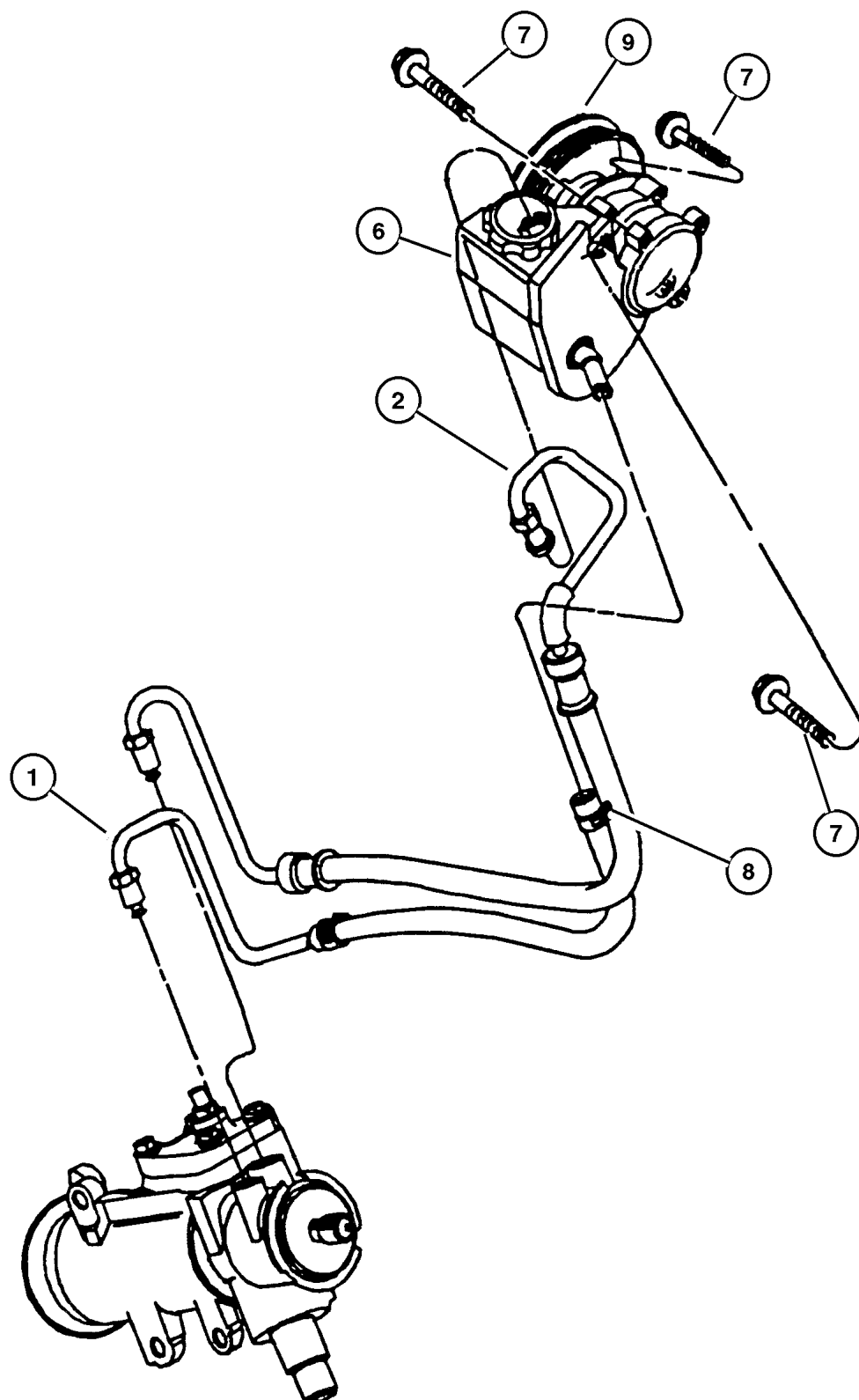
JEEP WRANGLER (TJ)

SERIES	LINE	BODY	ENGINE	TRANSMISSION
L=Low Line	J = Wrangler 4WD U = Wrangler 4WD (RHD)	77 = 93.4 WB	EPE, EPO = 2.5L Power Tech ERH, ER0 = 4.0L Power Tech	DGG, DGD = 32RH 3 Spd. Auto. DDQ = 5 Spd. Manual DGO = All Auto. Trans. DBB =All Manual Trans.

AR = Use as required - = Non illustrated part # = New this model year

June 7, 2002

Hoses and Reservoir, Power Steering Wrangler, w/4.0L Engine 1999 TJ
Figure 019-720



ITEM	PART NUMBER	QTY	LINE	SERIES	ENGINE	TRANS	DESCRIPTION
Note: J=Dana 35 Rear Axle---DRK=Dana 44 Rear Axle							
EPO = All 2.5L 4 Cyl Gas Engines J=Dana 35 Rear Axle---DRK=Dana 44 Rear Axle							
ER0 = All 4.0L 6 Cyl Gas Engines J=Dana 35 Rear Axle---DRK=Dana 44 Rear Axle							
1							HOSE, Power Steering Return
	5203 8423	1	J		ER0		
	5203 8424	1	U		ER0		
2							HOSE, Power Steering Pressure
	5208 7902	1	J		ER0		
	5208 7903	1	U		ER0		
-3							SCREW, Hex Head
	3420 1888	3					
		1	U				Clamp RHD, M8x1.25x25.00
-4	6035 358	1	U				CLIP, Oil Cooler Tube, Single Line, (MIDDLE EAST)
-5	5200 2044	1	U				CLIP, Oil Tube, Double Line
6	4694 766	1			EPO		CAP, Power Steering Pump
7	6502 425	3			EPO, ER0		SCREW AND WASHER, Hex Head, M8x1.25x95
8							CLAMP, Hose
	2448 761	1	U		ER0		
		1	U		EPO		
		1	J		EPO		
		1	J		ER0		
9	#53010 258AB	1			EPO, ER0		PULLEY, Power Steering Pump

JEEP WRANGLER (TJ)

SERIES	LINE	BODY	ENGINE	TRANSMISSION
L=Low Line	J = Wrangler 4WD U = Wrangler 4WD (RHD)	77 = 93.4 WB	EPE, EPO = 2.5L Power Tech ERH, ER0 = 4.0L Power Tech	DGG, DGD = 32RH 3 Spd. Auto. DDQ = 5 Spd. Manual DG0 = All Auto. Trans. DBB =All Manual Trans.

AR = Use as required - = Non illustrated part # = New this model year

June 7, 2002

Group – 30RH

Automatic Transmission 3 Speed

GROUP 30RH - Automatic Transmission 3 Speed

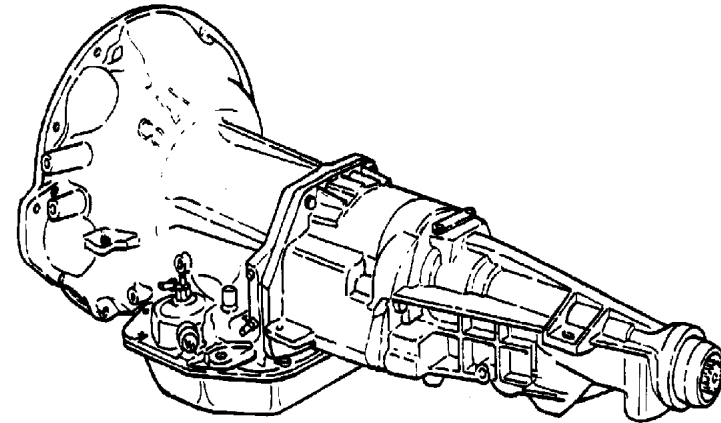
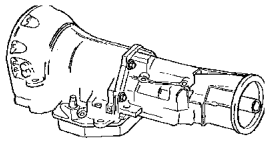
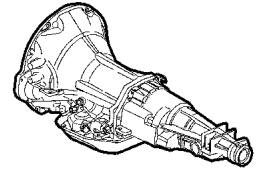

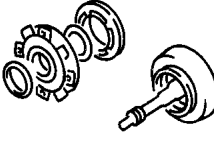
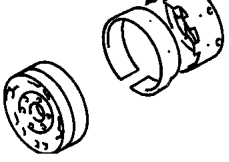
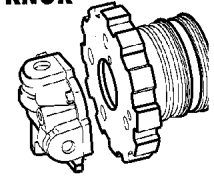
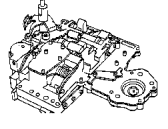
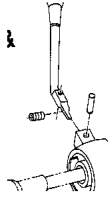


Illustration Title	Group-Fig. No.
Transmission Assembly	
Transmission 30RH (DGD)	Fig. 30RH-110
Case and Extension	
Case and Related Parts 30RH (DGD)	Fig. 30RH-210
Oil Pump	
Oil Pump 30RH (DGD)	Fig. 30RH-310
Gear Train	
Clutch, Front and Rear 30RH (DGD)	Fig. 30RH-410
Output Shaft 30RH (DGD)	Fig. 30RH-420
Bands, Reverse and Kickdown	
Bands 30RH (DGD)	Fig. 30RH-510
Governor	
Governor 30RH (DGD)	Fig. 30RH-610
Valve Body	
Valve Body 30RH (DGD)	Fig. 30RH-710
Servos 30RH (DGD)	Fig. 30RH-720
Parking Sprag 30RH (DGD)	Fig. 30RH-730
Gearshift Controls	
Gearshift Controls 30RH (DGD)	Fig. 30RH-1230

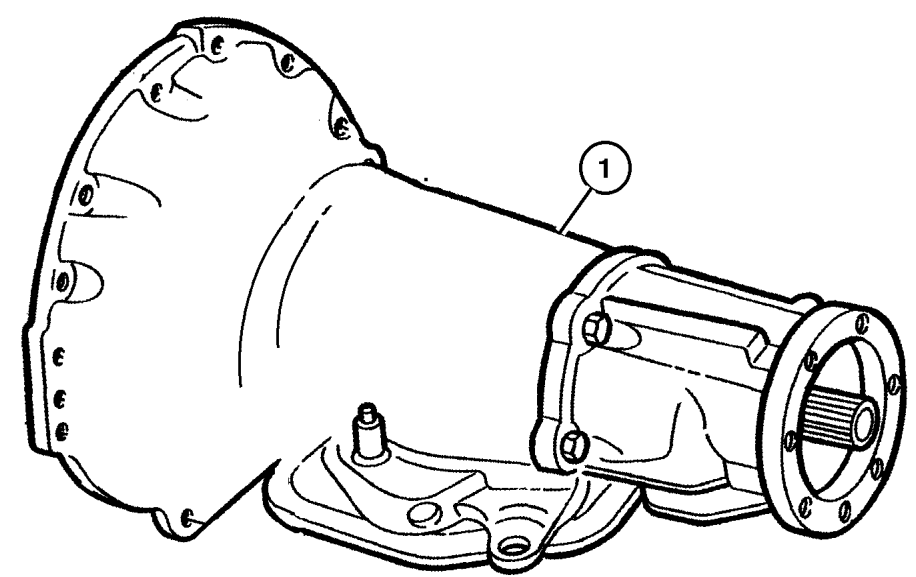
30RH-100 Transmission Assembly 	30RH-200 Case and Extension 	30RH-300 Oil Pump 	30RH-400 Gear Train 
30RH-500 Bands, Reverse and Kickdown 	30RH-600 Governor 	30RH-700 Valve Body 	30RH-1200 Gearshift Controls 

**Transmission 30RH (DGD)
Figure 30RH-110**

ITEM	PART NUMBER	QTY	LINE	SERIES	ENGINE	TRANS	DESCRIPTION
------	-------------	-----	------	--------	--------	-------	-------------

Note: J=Dana 35 Rear Axle---DRK=Dana 44 Rear Axle
DGD = 3 Speed Automatic Transmission 30RH J=Dana 35 Rear Axle---DRK=Dana 44 Rear Axle
DGO = All Automatic Transmissions J=Dana 35 Rear Axle---DRK=Dana 44 Rear Axle
EPE = 2.5L SMPI Magnum 4 Cyl Engine J=Dana 35 Rear Axle---DRK=Dana 44 Rear Axle
EP0 = All 2.5L 4 Cyl Gas Engines J=Dana 35 Rear Axle---DRK=Dana 44 Rear Axle

1							TRANSMISSION PACKAGE
	4883 726AA	1			EPO	DGD	52119528(Package Contains 52119528 Transmission, K4736388 Converter, K6501099 Bolts), 1997 TJ
	#5013 401AA	1			EPO	DGD	52119811AA (package contains 52119811AA transmission, K4736388 Converter, K6501099 Bolts), 1999 TJ
	5003 148AA	1			EPO	DGD	Stamp# 52119520, 1998 TJ

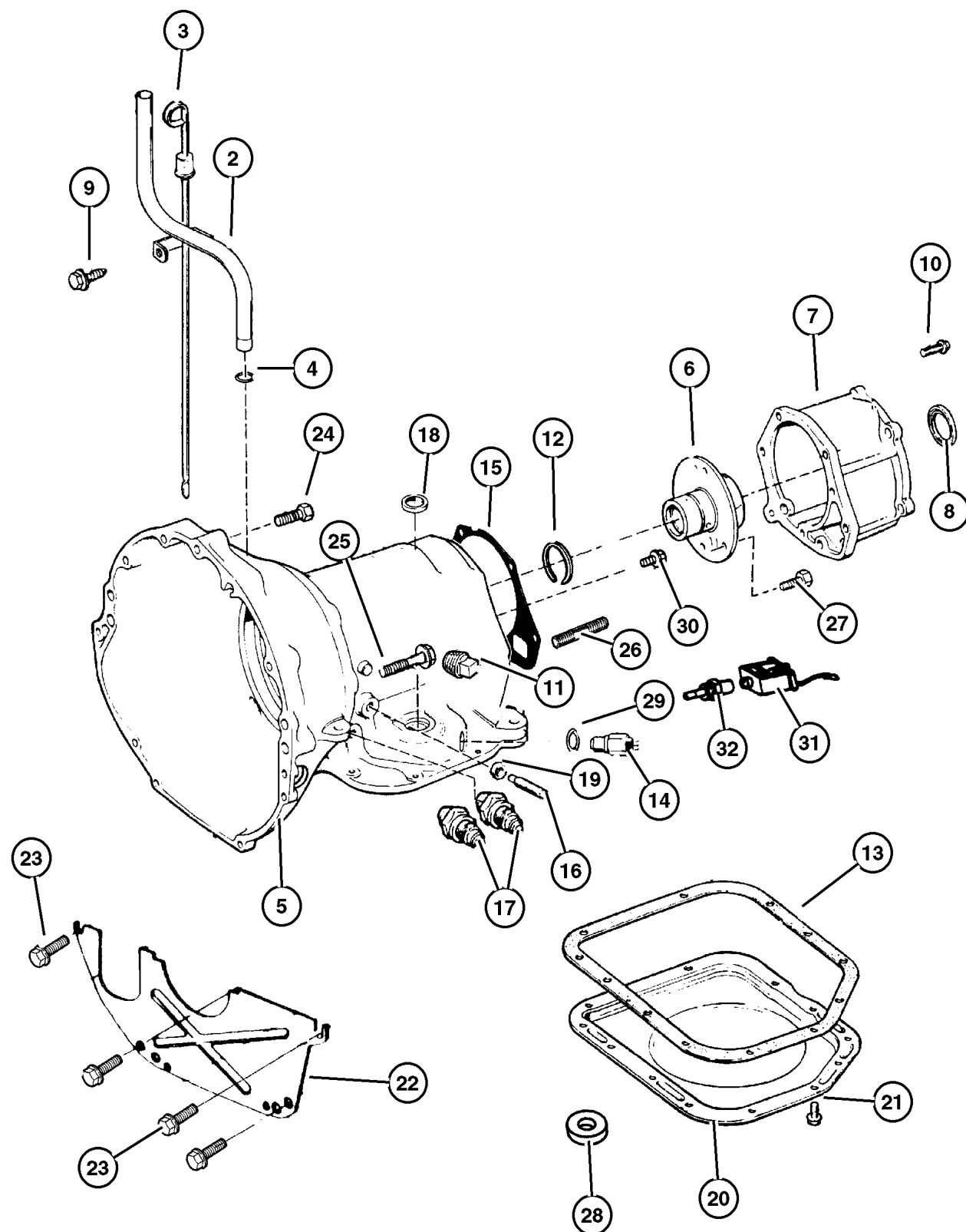


JEEP WRANGLER (TJ)		BODY	ENGINE	TRANSMISSION
SERIES	LINE	77 = 93.4 WB	EPE, EP0 = 2.5L Power Tech ERH, ER0 = 4.0L Power Tech	DGG, DGD = 32RH 3 Spd. Auto. DDQ = 5 Spd. Manual DGO = All Auto. Trans. DBB =All Manual Trans.
L=Low Line	J = Wrangler 4WD U = Wrangler 4WD (RHD)			

AR = Use as required - = Non illustrated part # = New this model year

June 7, 2002

Case and Related Parts 30RH (DGD)
Figure 30RH-210



ITEM	PART NUMBER	QTY	LINE	SERIES	ENGINE	TRANS	DESCRIPTION
Note: J=Dana 35 Rear Axle---DRK=Dana 44 Rear Axle							
DBB = All Manual Transmissions J=Dana 35 Rear Axle---DRK=Dana 44 Rear Axle							
DGD = 3 Speed Automatic Transmission 30RH J=Dana 35 Rear Axle---DRK=Dana 44 Rear Axle							
DG0 = All Automatic Transmissions J=Dana 35 Rear Axle---DRK=Dana 44 Rear Axle							
EPE = 2.5L SMPI Magnum 4 Cyl Engine J=Dana 35 Rear Axle---DRK=Dana 44 Rear Axle							
EP0 = All 2.5L 4 Cyl Gas Engines J=Dana 35 Rear Axle---DRK=Dana 44 Rear Axle							
ERH = 4.0L Power Tech I-6 Engine J=Dana 35 Rear Axle---DRK=Dana 44 Rear Axle							
ER0 = All 4.0L 6 Cyl Gas Engines J=Dana 35 Rear Axle---DRK=Dana 44 Rear Axle							
-1	4883 957AA	1			EP0	DGD	SEAL AND GASKET PACKAGE, Transmission
2							TUBE, Transmission Oil Filler
	5210 4244	1			EP0	DG0	1998 TJ
	52104 244AB	1			EP0	DG0	1999 TJ
	5211 8062	1			EP0	DG0	1997 TJ
		1			EP0	DG0	Oil Indicator, 1998 TJ
3							INDICATOR, Transmission Fluid Level
	52104 240AB	1			EP0, ER0	DG0	1999 TJ
	5211 8063	1			EP0, ER0	DG0	1997 TJ
		1			EP0, ER0	DG0	Trans. Oil Level ***, 1998 TJ
4							SEAL, Oil Filler Tube
	5211 8629	1			EP0, ER0	DG0	1999 TJ
	J094 0298	1			EP0, ER0	DG0	1997 TJ
		1			EP0, ER0	DG0	Oil Indicator Tube ***, 1998 TJ
5	5211 8593	1			EP0	DGD	CASE, Transmission
6	4431 433	1			EP0	DGD	SUPPORT, Output Shaft
7							ADAPTER, Transmission
	5211 8076	1			EP0	DGD	., 1997 TJ
		1			EP0	DGD	1998 TJ, 1999 TJ
8	4269 956	1			EP0	DGD	SEAL, Adapter
9	J400 1701	11				DG0	SCREW, Hex Self Tapping, .19-16x.50
10							SCREW AND WASHER, Hex Head Locking, .375-16x1.375
	6030 849	1			EP0	DGD	1997 TJ
		5			EP0	DGD	1998 TJ, 1999 TJ
11	6028 095	1			EP0	DGD	PLUG, Pressure Check
12	6033 480	1			EP0	DGD	SNAP RING, Reverse Drum
13	4295 875	1			EP0	DGD	GASKET, Oil Pan
14							SWITCH, Neutral, Safety, Back Up

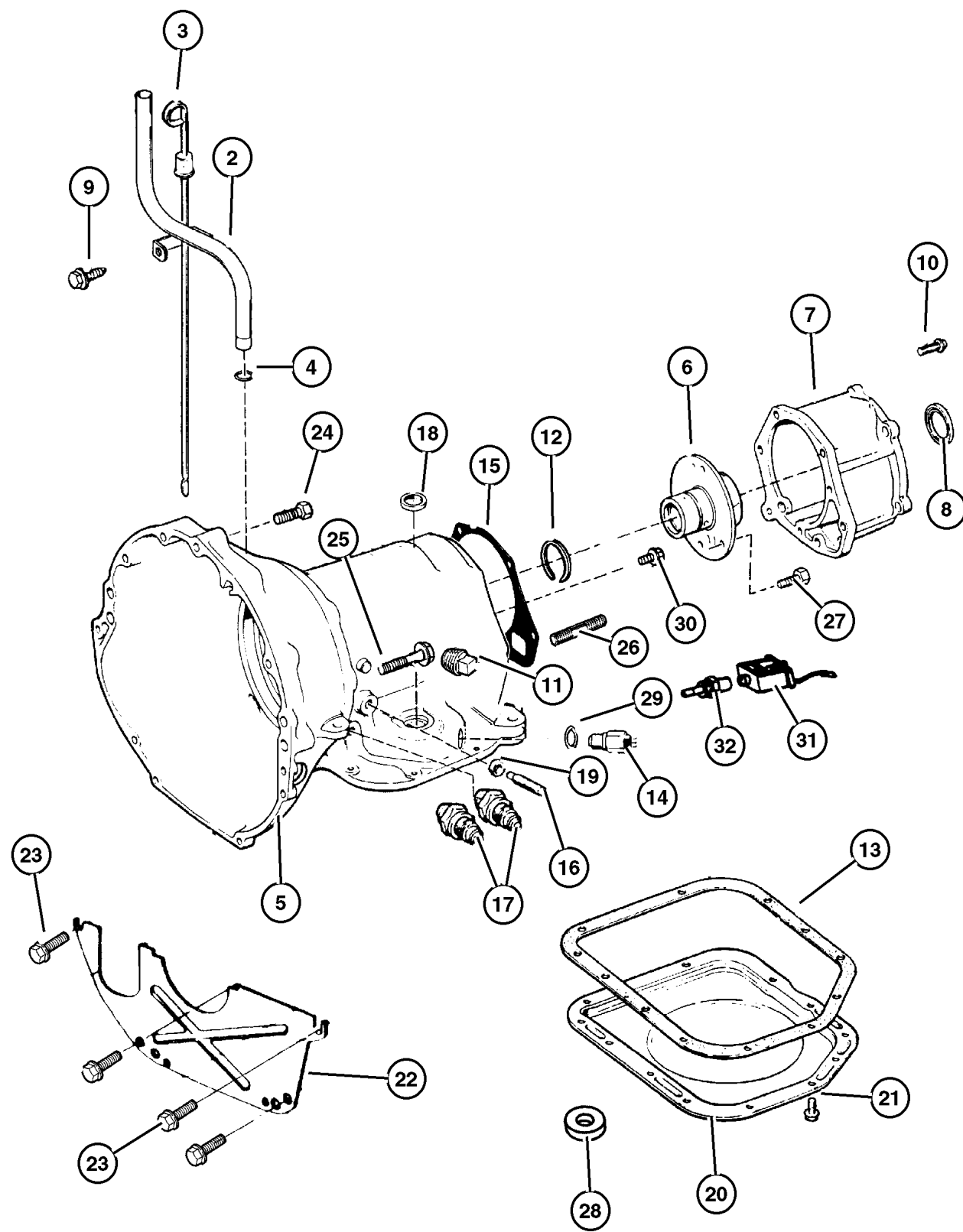
JEEP WRANGLER (TJ)

SERIES	LINE	BODY	ENGINE	TRANSMISSION
L=Low Line	J = Wrangler 4WD U = Wrangler 4WD (RHD)	77 = 93.4 WB	EPE, EP0 = 2.5L Power Tech ERH, ER0 = 4.0L Power Tech	DGG, DGD = 32RH 3 Spd. Auto. DDQ = 5 Spd. Manual DG0 = All Auto. Trans. DBB =All Manual Trans.

AR = Use as required - = Non illustrated part # = New this model year

June 7, 2002

Case and Related Parts 30RH (DGD)
Figure 30RH-210



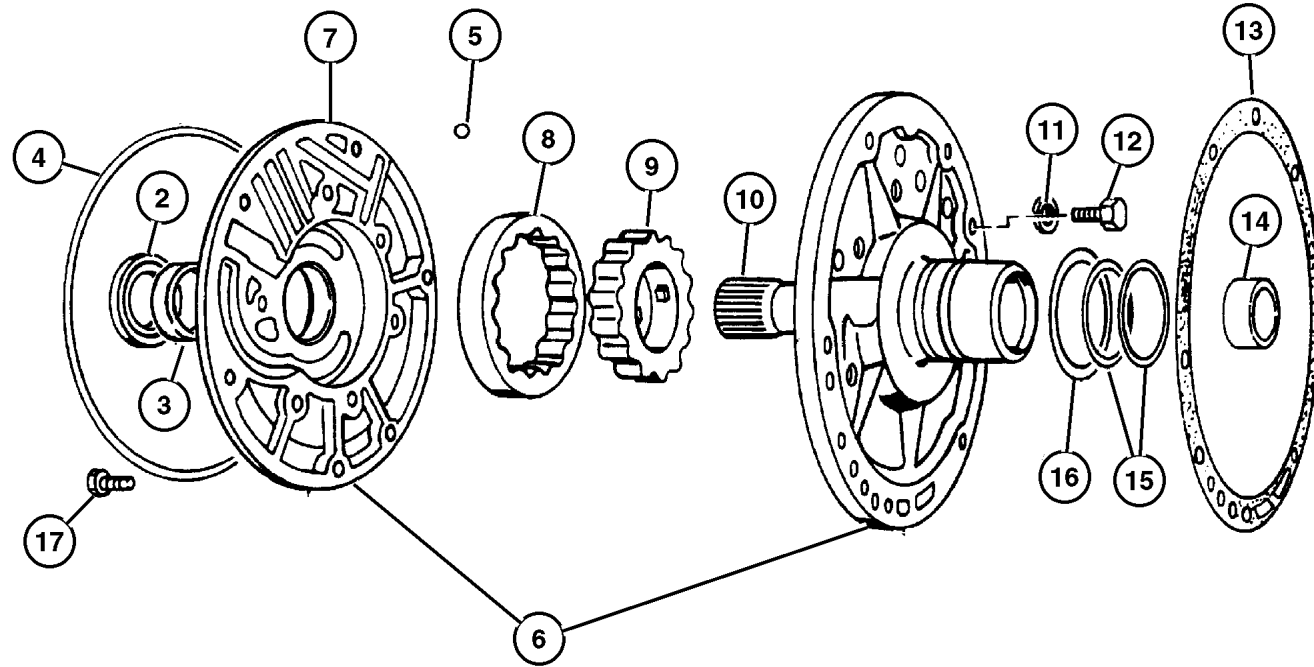
ITEM	PART NUMBER	QTY	LINE	SERIES	ENGINE	TRANS	DESCRIPTION
	3747 361	1			EPO	DGD	1997 TJ
	5602 8181	1			EPO	DGD	1998 TJ, 1999 TJ
15	2466 954	1			EPO	DGD	GASKET, Transmission Case
16	1942 477	1			EPO	DGD	SCREW Band Adjusting, 1997 TJ
	6036 141AA	1			EPO	DGD	1998 TJ
17		1			EPO	DGD	1999 TJ CONNECTOR, Oil Cooler Tube, .375 Tube x .25 Thread
	5202 8471	2			EPO	DGD	1997 TJ
	4505 098	1			EPO	DGD	1998 TJ, 1999 TJ
18		1			EPO	DGD	SEAL, Manual Shift Valve, 1.25 OD
19							NUT, (NOT SERVICED)
20							PAN, Transmission Oil
	4202 005	1			EPO	DGD	1997 TJ
	5211 8802	1			EPO	DGD	1998 TJ, 1999 TJ
21	4723 548	14			EPO	DGD	SCREW AND WASHER, Hex Head, .312-18x.625
22	5211 8408	1			EPO	DGD	COVER, Transmission Converter
23	1150 2628	2				DGD	BOLT, Hex Flange Head, M8x1.25x30
24	1150 4922	AR			EPO,	DBB	1997 TJ
		AR			ERO		
		1			EPO		1998 TJ
25					EPO	DGD	1999 TJ BOLT, Hex Flange Head, M12x1.75x90
	3420 1837	1			EPO	DGD	1997 TJ
		1			EPO	DGD	M12x1.75x90.00, 1998 TJ, 1999 TJ
26	6033 157	1			EPO	DGD	STUD, .375-16x2.312
27	6033 479	6			EPO	DGD	BOLT, Hex Head, .25-28x1-5/8
28	3681 601	1			EPO	DGD	MAGNET, Transmission
29	2408 143	1				DG0	WASHER, Switch
30	6033 616	5			EPO	DGD	SCREW, Hex Flange Head, .25-28x.875
31	5211 8595	1			EPO	DGD	SOLENOID, Transmission
32	5603 8235	1			EPO	DGD	CONNECTOR, Wiring

JEEP WRANGLER (TJ)
 SERIES LINE BODY ENGINE TRANSMISSION
 L=Low Line J = Wrangler 4WD 77 = 93.4 WB EPE, EP0 = 2.5L Power Tech DGG, DGD = 32RH 3 Spd. Auto.
 U = Wrangler 4WD (RHD) ERH, ER0 = 4.0L Power Tech DDQ = 5 Spd. Manual
 DG0 = All Auto. Trans.
 DBB =All Manual Trans.

AR = Use as required - = Non illustrated part # = New this model year

June 7, 2002

**Oil Pump 30RH (DGD)
Figure 30RH-310**



ITEM	PART NUMBER	QTY	LINE	SERIES	ENGINE	TRANS	DESCRIPTION
Note: J=Dana 35 Rear Axle---DRK=Dana 44 Rear Axle							
DGD = 3 Speed Automatic Transmission 30RH J=Dana 35 Rear Axle---DRK=Dana 44 Rear Axle							
DGO = All Automatic Transmissions J=Dana 35 Rear Axle---DRK=Dana 44 Rear Axle							
EPE = 2.5L SMPI Magnum 4 Cyl Engine J=Dana 35 Rear Axle---DRK=Dana 44 Rear Axle							
EPO = All 2.5L 4 Cyl Gas Engines J=Dana 35 Rear Axle---DRK=Dana 44 Rear Axle							
-1	4713 108	1			EPO	DGD	GASKET AND SEAL PACKAGE, Transmission Oil Pump
2	4412 475	1			EPO	DGD	SEAL, Impeller Hub, 57.25mm OD
3	2466 796	1			EPO	DGD	BUSHING, Front Pump
4	2204 709	1			EPO	DGD	SEAL, Front Pump Housing
5							BALL, Valve Body Check, (NOT SERVICED)
6							PUMP, Transmission Oil
	4778 552	1			EPO	DGD	1997 TJ
	5211 8267	1			EPO	DGD	1998 TJ, 1999 TJ
7							HOUSING, Pump, (NOT SERVICED)
8							ROTOR, Oil Pump, (NOT SERVICED)
9							ROTOR, Oil Pump, (NOT SERVICED)
10							SHAFT, Oil Pump, (NOT SERVICED)
11							LOCK WASHER, (NOT SERVICED)
12	0179 815	6			EPO	DGD	SCREW, Hex Head, .312-18x.687
13	5211 8266	1			EPO	DGD	GASKET, Transmission Oil Pump
14	4058 635	1			EPO	DGD	BUSHING, Reaction Shaft
15							SEAL, Ring Reaction Support, 2 1/16 O.D.
	4471 874	1			EPO	DGD	1997 TJ
		2			EPO	DGD	1998 TJ, 1999 TJ
16	4617 786	1			EPO	DGD	THRUST WASHER, Front Clutch
17	6023 943	6			EPO	DGD	SCREW AND WASHER, Hex Flange Head, .312-18x1.375

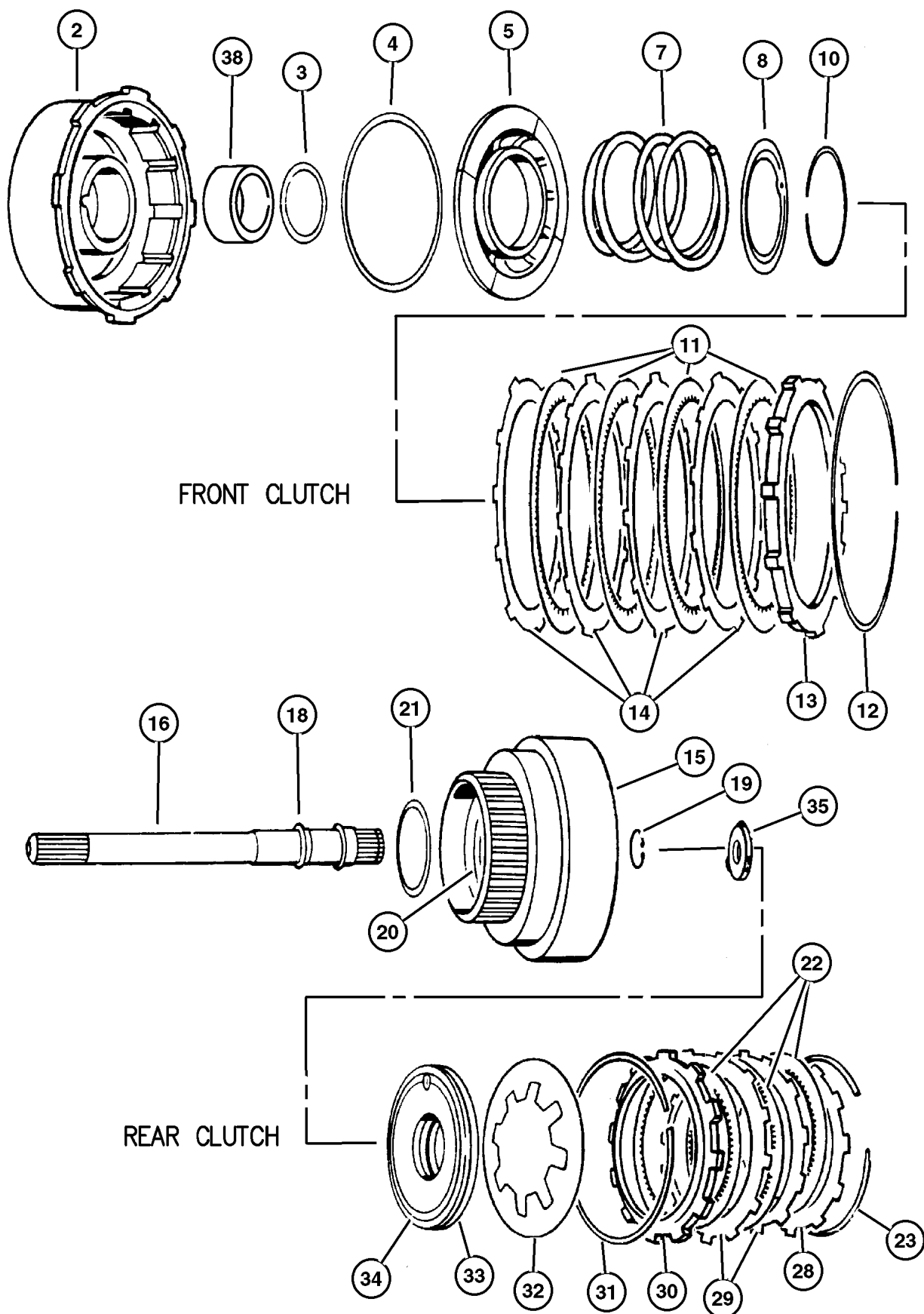
JEEP WRANGLER (TJ)

SERIES	LINE	BODY	ENGINE	TRANSMISSION
L=Low Line	J = Wrangler 4WD U = Wrangler 4WD (RHD)	77 = 93.4 WB	EPE, EPO = 2.5L Power Tech ERH, ER0 = 4.0L Power Tech	DGG, DGD = 32RH 3 Spd. Auto. DDQ = 5 Spd. Manual DGO = All Auto. Trans. DBB =All Manual Trans.

AR = Use as required - = Non illustrated part # = New this model year

June 7, 2002

**Clutch, Front and Rear 30RH (DGD)
Figure 30RH-410**



ITEM	PART NUMBER	QTY	LINE	SERIES	ENGINE	TRANS	DESCRIPTION
Note: J=Dana 35 Rear Axle---DRK=Dana 44 Rear Axle							
DGD = 3 Speed Automatic Transmission 30RH J=Dana 35 Rear Axle---DRK=Dana 44 Rear Axle							
DGO = All Automatic Transmissions J=Dana 35 Rear Axle---DRK=Dana 44 Rear Axle							
EPE = 2.5L SMPI Magnum 4 Cyl Engine J=Dana 35 Rear Axle---DRK=Dana 44 Rear Axle							
EPO = All 2.5L 4 Cyl Gas Engines J=Dana 35 Rear Axle---DRK=Dana 44 Rear Axle							
-1	5252 926	1			EPO	DGD	SEAL PACKAGE, Transmission Clutch
2	4531 285	1			EPO	DGD	RETAINER AND BUSHING, Transmission Front Clutch
3							SEAL, Front Clutch Piston
	3515 176	1			EPO	DGD	, Rubber,, 1997 TJ
		1			EPO	DGD	1998 TJ, 1999 TJ
4							SEAL, Front Piston Clutch
	4058 487	1			EPO	DGD	Outer, 1997 TJ
		1			EPO	DGD	1998 TJ, 1999 TJ
5							PISTON, Clutch
	3515 716	1			EPO	DGD	1998 TJ
	4617 154	1			EPO	DGD	1997 TJ, 1999 TJ
-6	0147 483	1			EPO	DGD	CHECK BALL, Dia-.187
7	3515 054	1			EPO	DGD	SPRING, Front Clutch
8							RETAINER, Transmission Front Clutch Piston Spring
	4617 516	1			EPO	DGD	1997 TJ, 1998 TJ
	4617 516AB	1			EPO	DGD	1999 TJ
-9	0147 483	1			EPO	DGD	CHECK BALL, Dia-.187
10							SNAP RING
	1942 400	1			EPO	DGD	1997 TJ, 1998 TJ
		1			ERO	DGG	1999 TJ
11	4617 362	4			EPO	DGD	DISC, Direct Clutch
12							SNAP RING
	3410 571	1			EPO	DGD	1997 TJ, 1998 TJ
		1			ERO	DGG	1999 TJ
13	4617 176	1			EPO	DGD	PLATE, Transmission Clutch Reaction
14							PLATE, Clutch Separator
	1942 403	4			EPO	DGD	1997 TJ
	1942 403AB	4			EPO	DGD	1998 TJ
		2			EPO	DGD	1999 TJ
15	4505 195	1			EPO	DGD	RETAINER, Transmission Rear Clutch
16							SHAFT, Input, (NOT SERVICED)
-17	0147 483	1			EPO	DGD	CHECK BALL, Dia-.187
18	1401 221	1			EPO	DGD	SEAL, Input Shaft
19	6022 859	1			EPO	DGD	SNAP RING, .890625
20	4028 333	1			EPO	DGD	SEAL, Rear Clutch, 1.50 ODx.009 Thk
21	4617 786	1			EPO	DGD	THRUST WASHER, Front Clutch

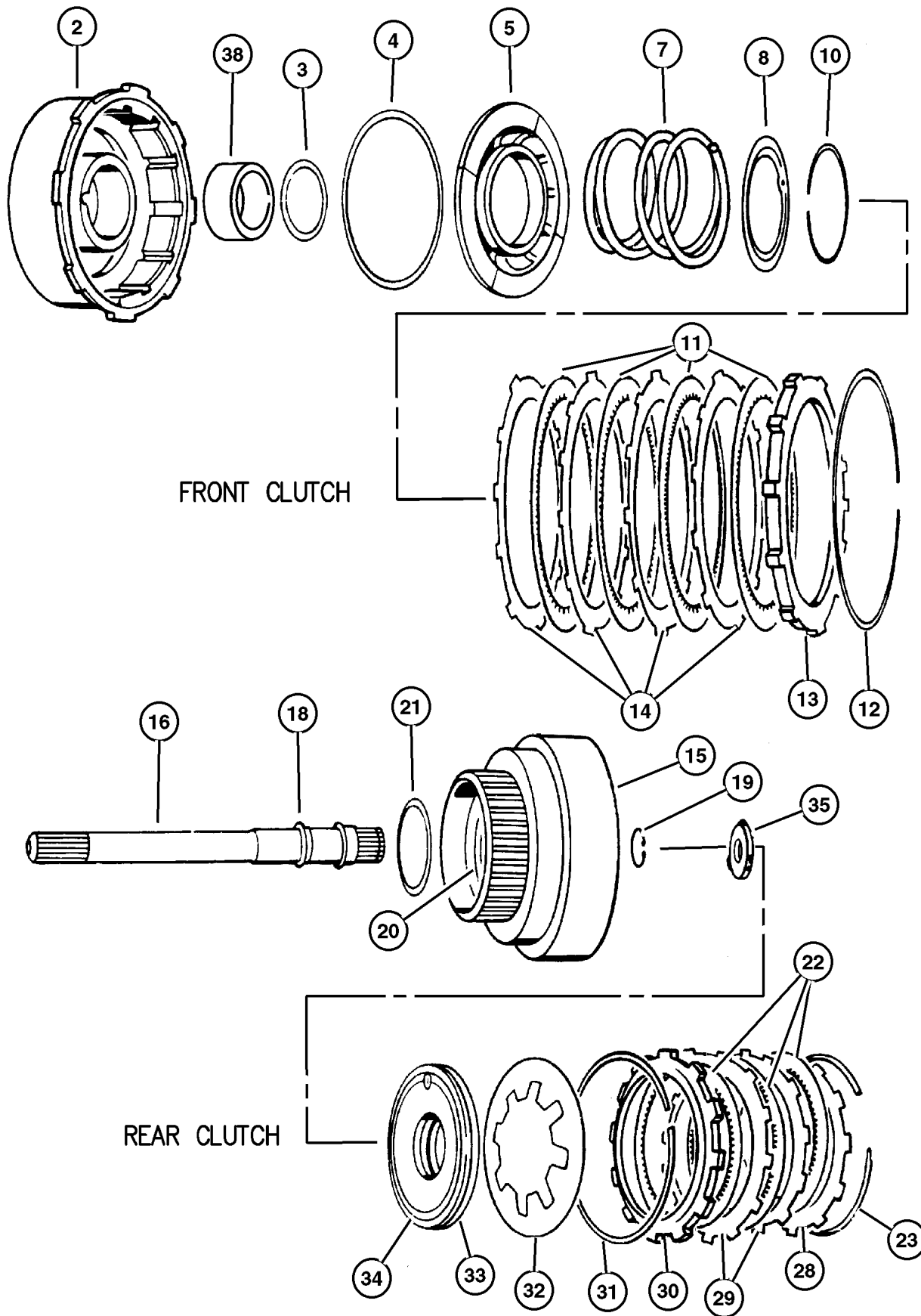
JEEP WRANGLER (TJ)

SERIES	LINE	BODY	ENGINE	TRANSMISSION
L=Low Line	J = Wrangler 4WD U = Wrangler 4WD (RHD)	77 = 93.4 WB	EPE, EPO = 2.5L Power Tech ERH, ERO = 4.0L Power Tech	DGG, DGD = 32RH 3 Spd. Auto. DDQ = 5 Spd. Manual DGO = All Auto. Trans. DBB =All Manual Trans.

AR = Use as required - = Non illustrated part # = New this model year

June 7, 2002

Clutch, Front and Rear 30RH (DGD)
Figure 30RH-410



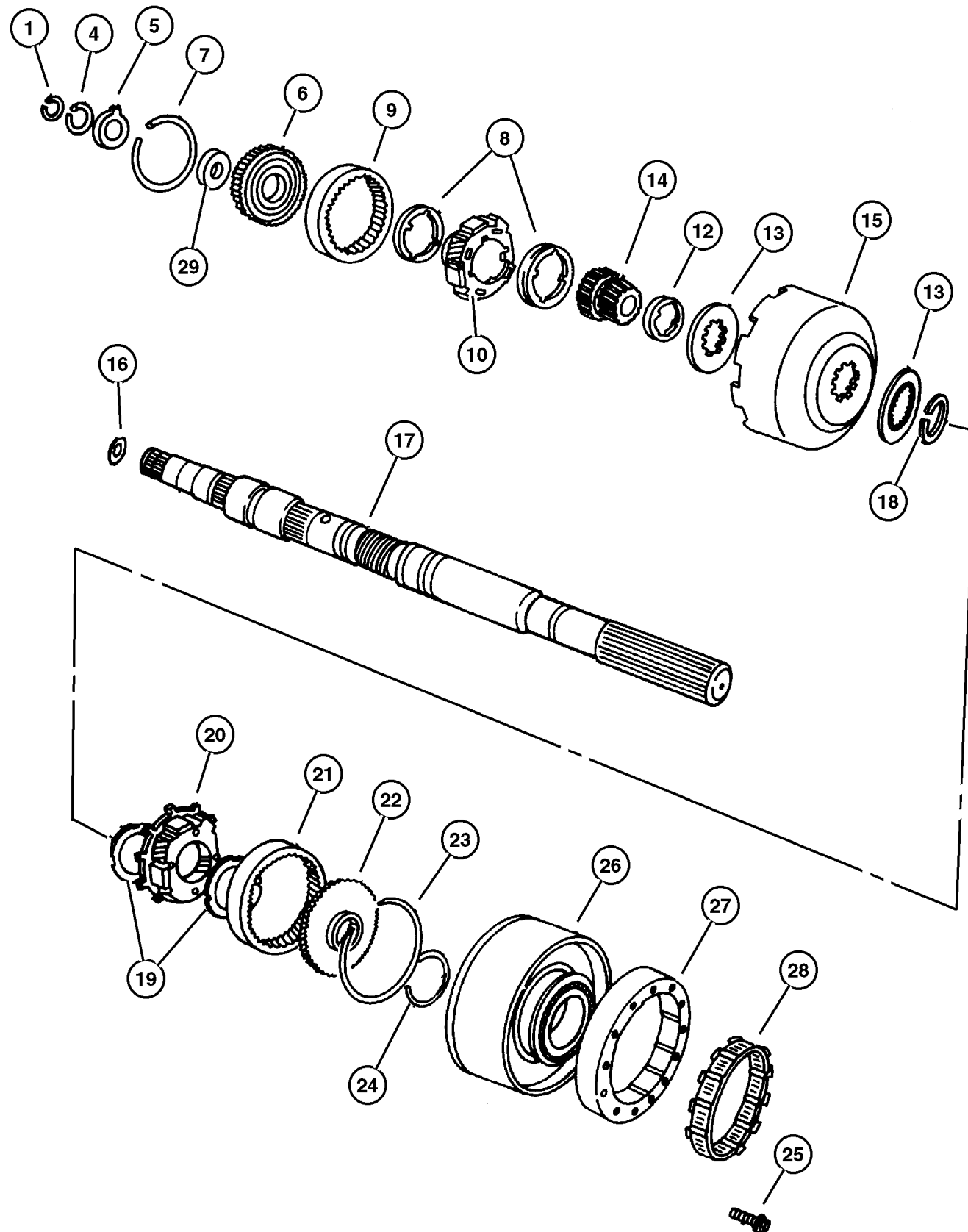
ITEM	PART NUMBER	QTY	LINE	SERIES	ENGINE	TRANS	DESCRIPTION
22	4713 880	3			EPO	DGD	DISC, Clutch
23							SNAP RING
	4130 761	1			EPO	DGD	1997 TJ, 1998 TJ
		1			ER0	DGG	1999 TJ
-24	4539 121	1			EPO	DGD	SNAP RING, Rear Clutch, .076
-25	4539 122	1			EPO	DGD	SNAP RING, Rear Clutch, .098
-26	4539 123	1			EPO	DGD	SNAP RING, Rear Clutch, .095
-27	4539 124	1			EPO	DGD	SNAP RING, Rear Clutch, .107
28	4617 176	1			EPO	DGD	PLATE, Transmission Clutch Reaction
29							PLATE, Clutch Separator
	1942 403	2			EPO	DGD	1997 TJ
	1942 403AB	2			EPO	DGD	1998 TJ, 1999 TJ
30	2466 281	1			EPO	DGD	PLATE, Clutch Pressure
31	2466 283	1			EPO	DGD	SPRING, Rear Clutch
32	4728 487	1			EPO	DGD	SPRING, Rear Clutch Piston
33							SEAL, Rear Clutch Piston
	2538 510	1			EPO	DGD	Inner, 1997 TJ
		1			EPO	DGD	1998 TJ, 1999 TJ
	2538 695	1			EPO	DGD	Outer, 1997 TJ
34	3515 716	1			EPO	DGD	PISTON, Clutch
35	4505 185	1			EPO	DGD	THRUST WASHER, Output Shaft, Gray .052
-36	4505 186	1			EPO	DGD	THRUST WASHER, Output Shaft, Red .068
-37	4505 187	1			EPO	DGD	THRUST WASHER, Output Shaft, Green .083
38	4617 157	1			EPO	DGD	BUSHING, Front Clutch

JEEP WRANGLER (TJ)				
SERIES	LINE	BODY	ENGINE	TRANSMISSION
L=Low Line	J = Wrangler 4WD U = Wrangler 4WD (RHD)	77 = 93.4 WB	EPE, EPO = 2.5L Power Tech ERH, ER0 = 4.0L Power Tech	DGG, DGD = 32RH 3 Spd. Auto. DDQ = 5 Spd. Manual DGO = All Auto. Trans. DBB =All Manual Trans.

AR = Use as required - = Non illustrated part # = New this model year

June 7, 2002

Output Shaft 30RH (DGD) Figure 30RH-420



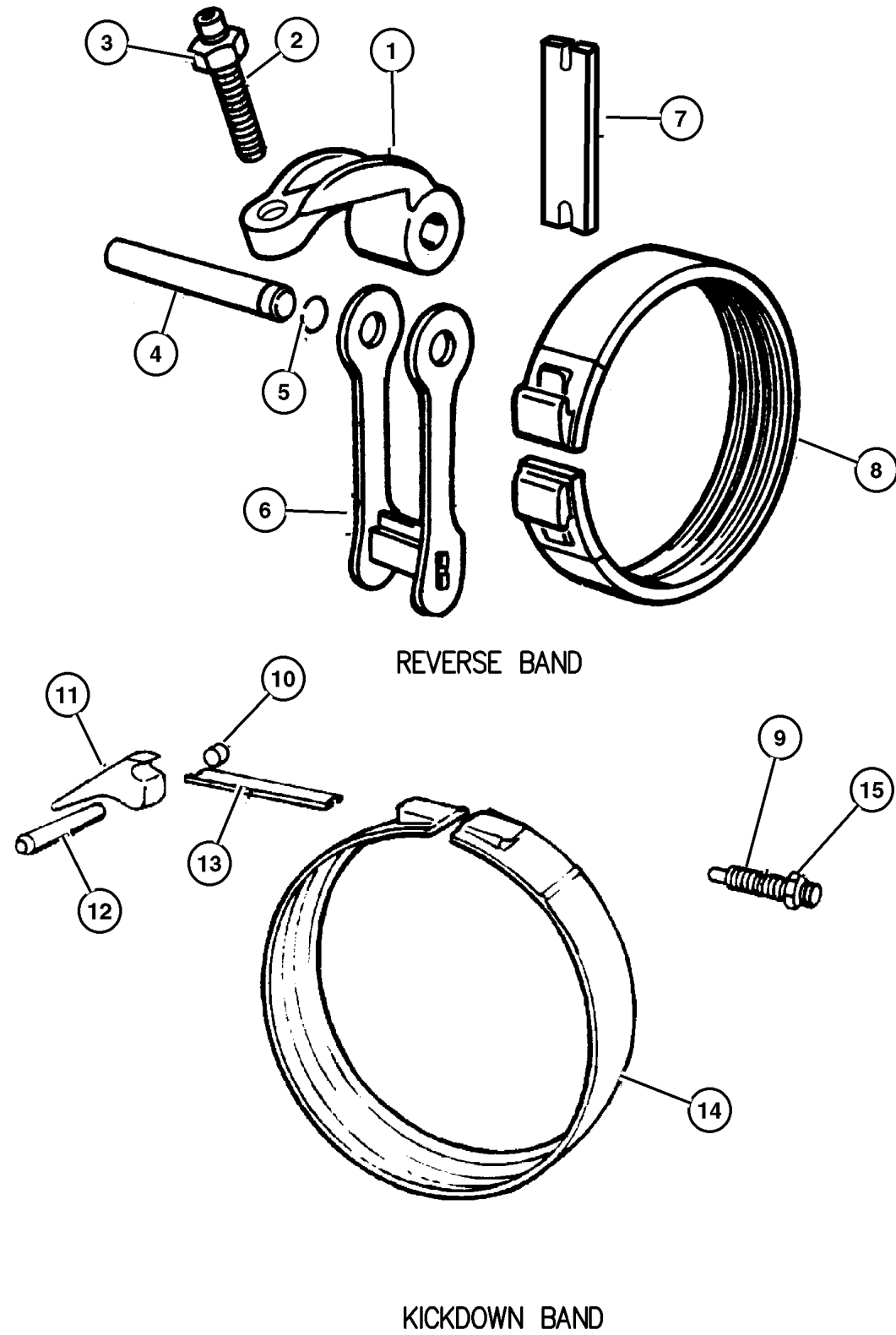
ITEM	PART NUMBER	QTY	LINE	SERIES	ENGINE	TRANS	DESCRIPTION
Note: J=Dana 35 Rear Axle---DRK=Dana 44 Rear Axle							
DGD = 3 Speed Automatic Transmission 30RH J=Dana 35 Rear Axle---DRK=Dana 44 Rear Axle							
DGO = All Automatic Transmissions J=Dana 35 Rear Axle---DRK=Dana 44 Rear Axle							
EPE = 2.5L SMPI Magnum 4 Cyl Engine J=Dana 35 Rear Axle---DRK=Dana 44 Rear Axle							
EPO = All 2.5L 4 Cyl Gas Engines J=Dana 35 Rear Axle---DRK=Dana 44 Rear Axle							
1	6026 289	1			EPO	DGD	SNAP RING, .946 ID
-2	6030 938	1			EPO	DGD	SNAP RING
-3	6030 404	1			EPO	DGD	SNAP RING, Output Shaft, 1.029 OD
4	6030 576	1			EPO	DGD	SNAP RING, Annulus Gear, 1.375 ID
5	3681 969	1			EPO	DGD	THRUST WASHER, Annulus Gear
6	4617 774	1			EPO	DGD	SUPPORT, Annulus Gear
7	6030 576	1			EPO	DGD	SNAP RING, Annulus Gear, 1.375 ID
8	4130 518	2			EPO	DGD	THRUST WASHER, Planetary Carrier
9	4130 512	1			EPO	DGD	GEAR, Front Annulus
10	4130 514	1			EPO	DGD	CARRIER, Planetary Pinion
-11	3681 949	8			EPO	DGD	THRUST WASHER, Planet Pinion
12	4130 736	1			EPO	DGD	SPACER, Sun Gear
13							PLATE, Transmission Module
	4505 188	1			EPO	DGD	1998 TJ
	4471 566	2			EPO	DGD	
14	4130 685	1			EPO	DGD	GEAR, Sun
15	4531 288	1			EPO	DGD	SHELL, Sun Gear
16							PLATE, Transmission Module
	4471 566	2			EPO	DGD	1998 TJ
	4505 188	1			EPO	DGD	
17	4617 320	1			EPO	DGD	MAINSHAFT, Transmission
18	1942 439	1			EPO	DGD	SNAP RING, Sun Gear Shell
19	3681 935	1			EPO	DGD	THRUST WASHER, Planetary Carrier
20	4431 438	1			EPO	DGD	CARRIER, Planetary Pinion
21	3743 184	1			EPO	DGD	GEAR, Rear Annulus
22	3515 501	1			EPO	DGD	SUPPORT, Annulus Gear
23	1942 444	1			EPO	DGD	SNAP RING
24	6033 480	1			EPO	DGD	SNAP RING, Reverse Drum
25	6033 616	5			EPO	DGD	SCREW, Hex Flange Head, .25-28x.875
26	4637 956	1			EPO	DGD	DRUM PACKAGE, Transmission
27	4431 690	1			EPO	DGD	CAM, Overrunning Clutch
28	4431 432	1			EPO	DGD	CLUTCH, Overrunning
29	4617 775	1			EPO	DGD	PLATE, Annulus Gear Thrust

JEEP WRANGLER (TJ)				
SERIES	LINE	BODY	ENGINE	TRANSMISSION
L=Low Line	J = Wrangler 4WD U = Wrangler 4WD (RHD)	77 = 93.4 WB	EPE, EPO = 2.5L Power Tech ERH, ER0 = 4.0L Power Tech	DGG, DGD = 32RH 3 Spd. Auto. DDQ = 5 Spd. Manual DGO = All Auto. Trans. DBB =All Manual Trans.

AR = Use as required - = Non illustrated part # = New this model year

June 7, 2002

**Bands 30RH (DGD)
Figure 30RH-510**



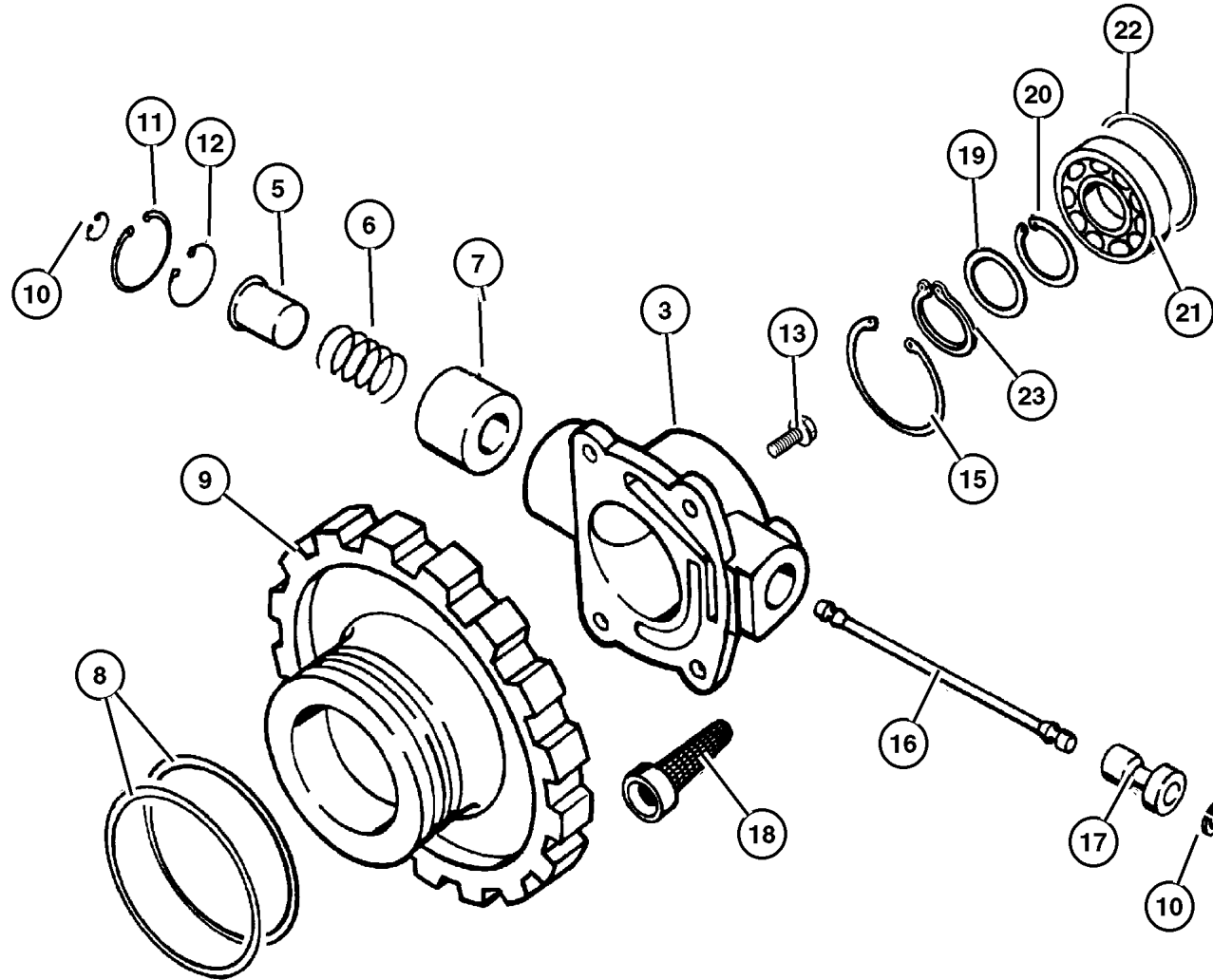
ITEM	PART NUMBER	QTY	LINE	SERIES	ENGINE	TRANS	DESCRIPTION
Note: J=Dana 35 Rear Axle---DRK=Dana 44 Rear Axle							
DGD = 3 Speed Automatic Transmission 30RH J=Dana 35 Rear Axle---DRK=Dana 44 Rear Axle							
DGO = All Automatic Transmissions J=Dana 35 Rear Axle---DRK=Dana 44 Rear Axle							
EPE = 2.5L SMPI Magnum 4 Cyl Engine J=Dana 35 Rear Axle---DRK=Dana 44 Rear Axle							
EPO = All 2.5L 4 Cyl Gas Engines J=Dana 35 Rear Axle---DRK=Dana 44 Rear Axle							
1	3681 139	1			EPO	DGD	LEVER, Reverse Band
2	6030 704	1			EPO	DGD	SCREW, Cap, .437-20x1.812
3	0271 506	1			EPO	DGD	NUT, Hex, .42-20
4	3410 102	1			EPO	DGD	SHAFT, Reverse Band
5	6030 657	1			EPO	DGD	O RING, Steering Gear
6	2464 439	1			EPO	DGD	LINK, Transmission Reverse Band
7	3515 589	1			EPO	DGD	STRUT, Reverse Band
8	4431 405	1			EPO	DGD	BAND, Reverse
9							SCREW
	1942 477	1			EPO	DGD	1998 TJ
	6036 141AA	1			EPO	DGD	1997 TJ, 1999 TJ
10							PLUG, (NOT SERVICED)
11	2125 067	1			EPO	DGD	LEVER, Kickdown
12	4531 181	1			EPO	DGD	SHAFT, Band Lever
13	3515 084	1			EPO	DGD	STRUT, Kickdown Band
14	4617 849	1			EPO	DGD	BAND, Kickdown
15	0124 934	1			EPO	DGD	NUT, Hex Jam, .50-20

JEEP WRANGLER (TJ)				
SERIES	LINE	BODY	ENGINE	TRANSMISSION
L=Low Line	J = Wrangler 4WD U = Wrangler 4WD (RHD)	77 = 93.4 WB	EPE, EPO = 2.5L Power Tech ERH, ER0 = 4.0L Power Tech	DGG, DGD = 32RH 3 Spd. Auto. DDQ = 5 Spd. Manual DGO = All Auto. Trans. DBB =All Manual Trans.

AR = Use as required - = Non illustrated part # = New this model year

**Governor 30RH (DGD)
Figure 30RH-610**

ITEM	PART NUMBER	QTY	LINE	SERIES	ENGINE	TRANS	DESCRIPTION
Note: J=Dana 35 Rear Axle---DRK=Dana 44 Rear Axle							
DGD = 3 Speed Automatic Transmission 30RH J=Dana 35 Rear Axle---DRK=Dana 44 Rear Axle							
DGO = All Automatic Transmissions J=Dana 35 Rear Axle---DRK=Dana 44 Rear Axle							
EPE = 2.5L SMPI Magnum 4 Cyl Engine J=Dana 35 Rear Axle---DRK=Dana 44 Rear Axle							
EPO = All 2.5L 4 Cyl Gas Engines J=Dana 35 Rear Axle---DRK=Dana 44 Rear Axle							
-1							GASKET AND SEAL PACKAGE, Governor
	4106 556	1			EPO	DGD	1997 TJ
	4883 956AA	1			EPO	DGD	1998 TJ, 1999 TJ
-2	4728 460	1			EPO	DGD	BODY PACKAGE, Governor
3							BODY, Governor, (NOT SERVICED)
-4	5211 7938	1			EPO	DGD	WEIGHT KIT, Transmission Governor
5							INNER, Inner, (NOT SERVICED)
6							SPRING, Governor Valve, (NOT SERVICED)
7							WEIGHT, Governor, (NOT SERVICED)
8	1942 109	1			EPO	DGD	SEAL, Governor
9	3743 518	1			EPO	DGD	SUPPORT, Governor
10	1638 461	2			EPO	DGD	SNAP RING
11	6031 392	1			EPO	DGD	SNAP RING, Brake Master Cylinder
12	6034 723	1			EPO	DGD	SNAP RING, Governor, .675 x .025
13	6031 613	1			EPO	DGD	BOLT, Hex Head, .25-20x.68
							1997 TJ
							1998 TJ, 1999 TJ
-14	6034 788	2			EPO	DGD	BOLT, Hex Head, .25-20x1.33
15	6027 271	1			EPO	DGD	SNAP RING, Governor, 1.156
16	1556 082	1			EPO	DGD	SHAFT, Governor
17	4617 064	1			EPO	DGD	VALVE, Governor
18	3743 519	1			EPO	DGD	FILTER, Transmission Governor
19	4617 799	1			EPO	DGD	SPACER, Output Shaft
20	6025 668	1			EPO	DGD	SNAP RING, 1.150" Free Diameter
21	4130 537	1			EPO	DGD	BEARING, Output Shaft
22	6032 739	1			EPO	DGD	O RING, Output Shaft Bearing, Transmission
23	6025 668	1			EPO	DGD	SNAP RING, 1.150" Free Diameter



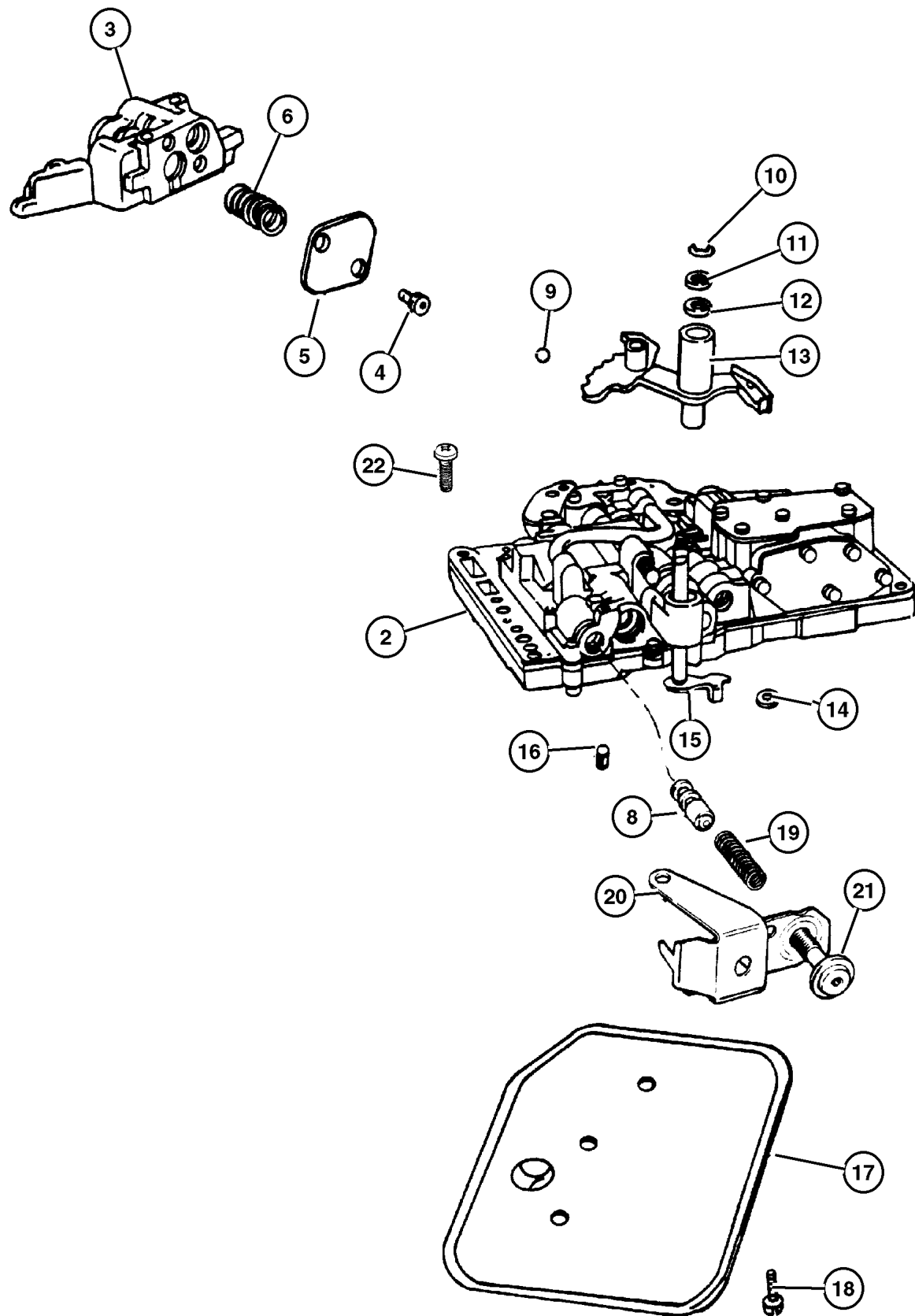
JEEP WRANGLER (TJ)

SERIES	LINE	BODY	ENGINE	TRANSMISSION
L=Low Line	J = Wrangler 4WD U = Wrangler 4WD (RHD)	77 = 93.4 WB	EPE, EPO = 2.5L Power Tech ERH, ER0 = 4.0L Power Tech	DGG, DGD = 32RH 3 Spd. Auto. DDQ = 5 Spd. Manual DGO = All Auto. Trans. DBB =All Manual Trans.

AR = Use as required - = Non illustrated part # = New this model year

June 7, 2002

Valve Body 30RH (DGD)
Figure 30RH-710

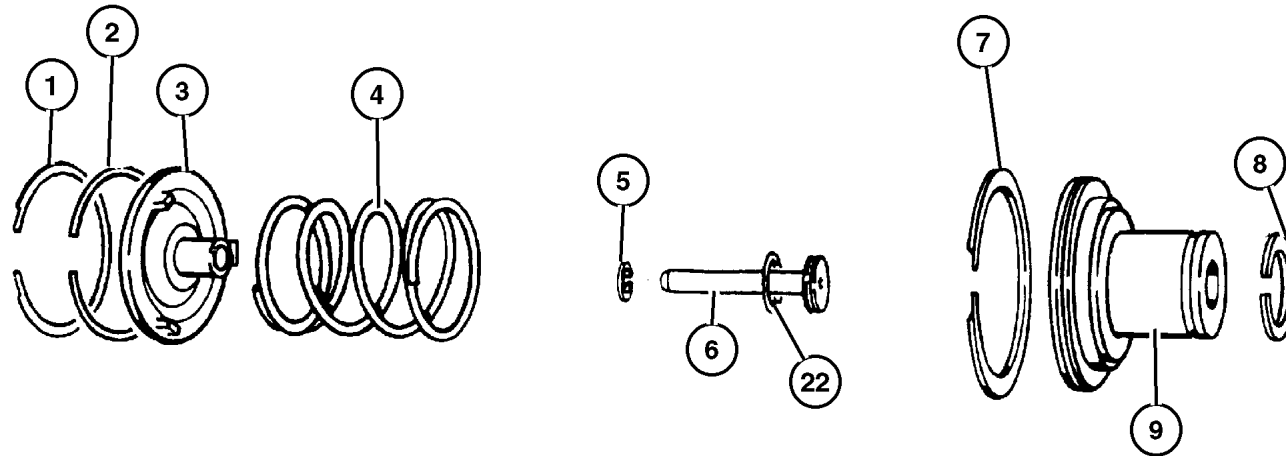


ITEM	PART NUMBER	QTY	LINE	SERIES	ENGINE	TRANS	DESCRIPTION
Note: J=Dana 35 Rear Axle---DRK=Dana 44 Rear Axle							
DGD = 3 Speed Automatic Transmission 30RH J=Dana 35 Rear Axle---DRK=Dana 44 Rear Axle							
DG0 = All Automatic Transmissions J=Dana 35 Rear Axle---DRK=Dana 44 Rear Axle							
EPE = 2.5L SMPI Magnum 4 Cyl Engine J=Dana 35 Rear Axle---DRK=Dana 44 Rear Axle							
EP0 = All 2.5L 4 Cyl Gas Engines J=Dana 35 Rear Axle---DRK=Dana 44 Rear Axle							
-1	4713 105	1			EP0	DGD	GASKET AND SEAL PACKAGE, Valve Body
2	5211 8596	1			EP0	DGD	BODY, Transfer Plate
3							BODY, Transfer Plate, (NOT SERVICED)
4							SCREW, Pan Head, .19-24x.440, (NOT SERVICED)
5							PLATE, (NOT SERVICED)
6							SPRING, Lock Up Valve, (NOT SERVICED)
-7							SCREW AND WASHER, Hex Flange Head, .190-24x1.54, (NOT SERVICED)
8	4505 036	1			EP0	DGD	VALVE, Trans Lockup Switch
9	0147 488	1			EP0	DGD	BALL, Manual Lever Detent, .343 Diameter
10	6035 208	AR			EP0	DGD	SNAP RING 1997 TJ
		2			EP0	DGD	1998 TJ, 1999 TJ
11	2538 062	1			EP0	DGD	WASHER, Manual Valve Lever
12	2466 548	1			EP0	DGD	SEAL, Valve Lever Shift
13	4617 439	1			EP0	DGD	LEVER, Manual Valve
14	4505 098	1			EP0	DGD	SEAL, Manual Shift Valve, 1.25 OD
15	3681 227	1			EP0	DGD	LEVER, Throttle Valve
16	3878 313	1			EP0	DGD	SCREEN, Transmission Regulator Valve
17	3515 996	1			EP0	DGD	FILTER, Valve Body
18	6033 826	3			EP0	DGD	SCREW AND WASHER, Oil Filter Mounting, Fillester Head .190-24x2.500
19	4130 492	1			EP0	DGD	SPRING, Switch Valve
20							BRACKET, (NOT SERVICED)
21	6030 609	1			EP0	DGD	SCREW, Cap Head Lock, .312-24x1.25
22							SCREW, (NOT SERVICED)
-23	4348 907	1			EP0	DGD	SPRING, Limit Valve

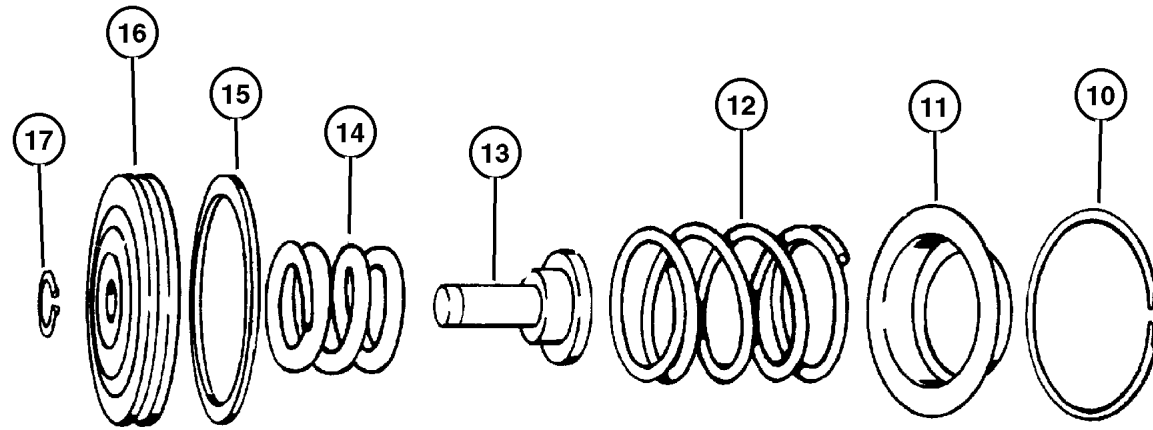
JEEP WRANGLER (TJ)				
SERIES	LINE	BODY	ENGINE	TRANSMISSION
L=Low Line	J = Wrangler 4WD U = Wrangler 4WD (RHD)	77 = 93.4 WB	EPE, EP0 = 2.5L Power Tech ERH, ER0 = 4.0L Power Tech	DGG, DGD = 32RH 3 Spd. Auto. DDQ = 5 Spd. Manual DG0 = All Auto. Trans. DBB =All Manual Trans.

Servos 30RH (DGD)
Figure 30RH-720

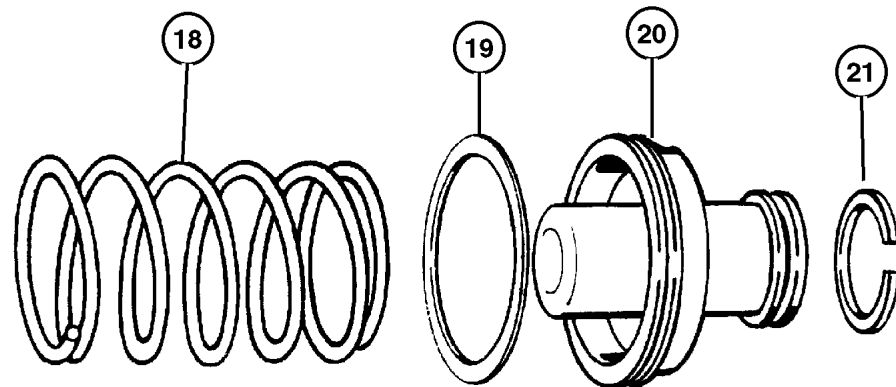
ITEM	PART NUMBER	QTY	LINE	SERIES	ENGINE	TRANS	DESCRIPTION
Note: J=Dana 35 Rear Axle---DRK=Dana 44 Rear Axle							
DGD = 3 Speed Automatic Transmission 30RH J=Dana 35 Rear Axle---DRK=Dana 44 Rear Axle							
DGO = All Automatic Transmissions J=Dana 35 Rear Axle---DRK=Dana 44 Rear Axle							
EPE = 2.5L SMPI Magnum 4 Cyl Engine J=Dana 35 Rear Axle---DRK=Dana 44 Rear Axle							
EPO = All 2.5L 4 Cyl Gas Engines J=Dana 35 Rear Axle---DRK=Dana 44 Rear Axle							
1	1942 486	1			EPO	DGD	SNAP RING
2	3743 014	1			EPO	DGD	SEAL, Kickdown Servo
3	1942 485	1			EPO	DGD	GUIDE, Kickdown Servo
4							SPRING, Kickdown Servo Piston, (NOT SERVICED)
5							SNAP RING, Brake Master Cylinder
	6031 392	1			EPO	DGD	Inner, 1-1/8" I.D., 1997 TJ
					EPO	DGD	1998 TJ, 1999 TJ
6	4058 943	1			EPO	DGD	ROD, Kickdown Servo Piston
7							SEAL, Kickdown Servo
	3743 014	1			EPO	DGD	1998 TJ, 1999 TJ
	4295 965	1			EPO	DGD	1997 TJ
8	1636 470	1			EPO	DGD	SEAL, Servo Piston
9	4058 942	1			EPO	DGD	PISTON, Kickdown Servo
10	2464 464	1			EPO	DGD	SNAP RING
11	2464 463	1			EPO	DGD	RETAINER, Transmission Rear Clutch
12	2801 274	1			EPO	DGD	SPRING, Reverse Servo Piston
13							PLUG, Reverse Servo Piston
	3878 140	1			EPO	DGD	1997 TJ
	5211 8741	1			EPO	DGD	1998 TJ, 1999 TJ
14	3743 580	1			EPO	DGD	SPRING, Reverse Servo Piston
15							SEAL, Reverse Servo Piston
	4202 864	1			EPO	DGD	Rubber, 1997 TJ
					EPO	DGD	1998 TJ, 1999 TJ
16	5211 8744	1			EPO	DGD	PISTON, Reverse Servo
17	6027 153	1			EPO	DGD	SNAP RING, .435 ID
18	4531 259	1			EPO	DGD	SPRING, Transmission Accumulator
19							SEAL, Piston Accumulator
	3743 013	1			EPO	DGD	Large, 1997 TJ
					EPO	DGD	1998 TJ, 1999 TJ
20	3743 650	1			EPO	DGD	PISTON, Accumulator
21	3743 010	1			EPO	DGD	SEAL, Piston Accumulator
22	6031 410	1			EPO	DGD	O RING, Trans Kickdown Servo



KICKDOWN SERVO



LOW AND REVERSE SERVO



ACCUMULATOR PISTON AND SPRING

JEEP WRANGLER (TJ)

SERIES	LINE	BODY	ENGINE	TRANSMISSION
L=Low Line	J = Wrangler 4WD U = Wrangler 4WD (RHD)	77 = 93.4 WB	EPE, EPO = 2.5L Power Tech ERH, ER0 = 4.0L Power Tech	DGG, DGD = 32RH 3 Spd. Auto. DDQ = 5 Spd. Manual DGO = All Auto. Trans. DBB =All Manual Trans.

**Parking Sprag 30RH (DGD)
Figure 30RH-730**

ITEM	PART NUMBER	QTY	LINE	SERIES	ENGINE	TRANS	DESCRIPTION
------	-------------	-----	------	--------	--------	-------	-------------

Note: J=Dana 35 Rear Axle---DRK=Dana 44 Rear Axle

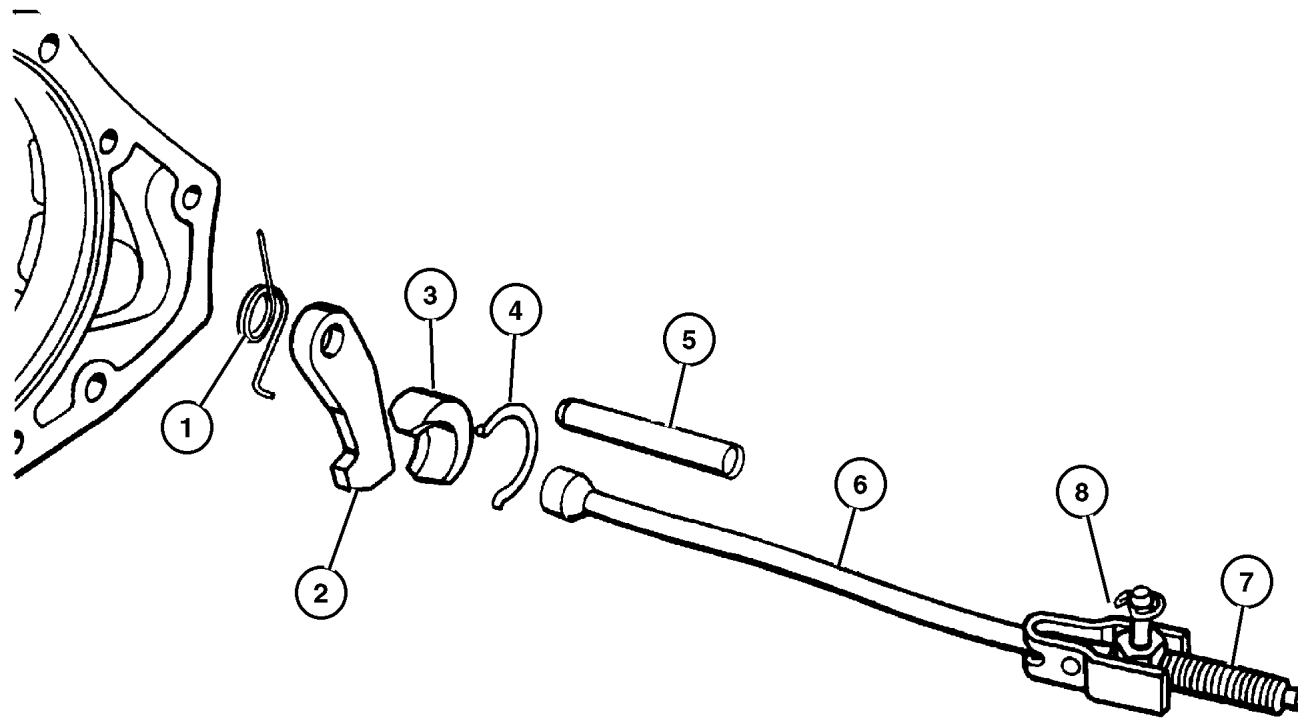
DGD = 3 Speed Automatic Transmission 30RH J=Dana 35 Rear Axle---DRK=Dana 44 Rear Axle

DG0 = All Automatic Transmissions J=Dana 35 Rear Axle---DRK=Dana 44 Rear Axle

EPE = 2.5L SMPI Magnum 4 Cyl Engine J=Dana 35 Rear Axle---DRK=Dana 44 Rear Axle

EP0 = All 2.5L 4 Cyl Gas Engines J=Dana 35 Rear Axle---DRK=Dana 44 Rear Axle

1	2466 909	1			EP0	DGD	SPRING, Parking Sprag
2	4471 415	1			EP0	DGD	SPRAG, Transmission Parking
3	2538 042	1			EP0	DGD	PLUG, Parking Sprag
4	2538 034	1			EP0	DGD	SNAP RING, Transmission
5	2466 892	1			EP0	DGD	SHAFT, Parking Sprag
6	2466 906	1			EP0	DGD	ROD, Parking Sprag
7							SPRING, Parking Sprag Return, (NOT SERVICED)
8	6035 256	1			EP0	DGD	SNAP RING, Rod



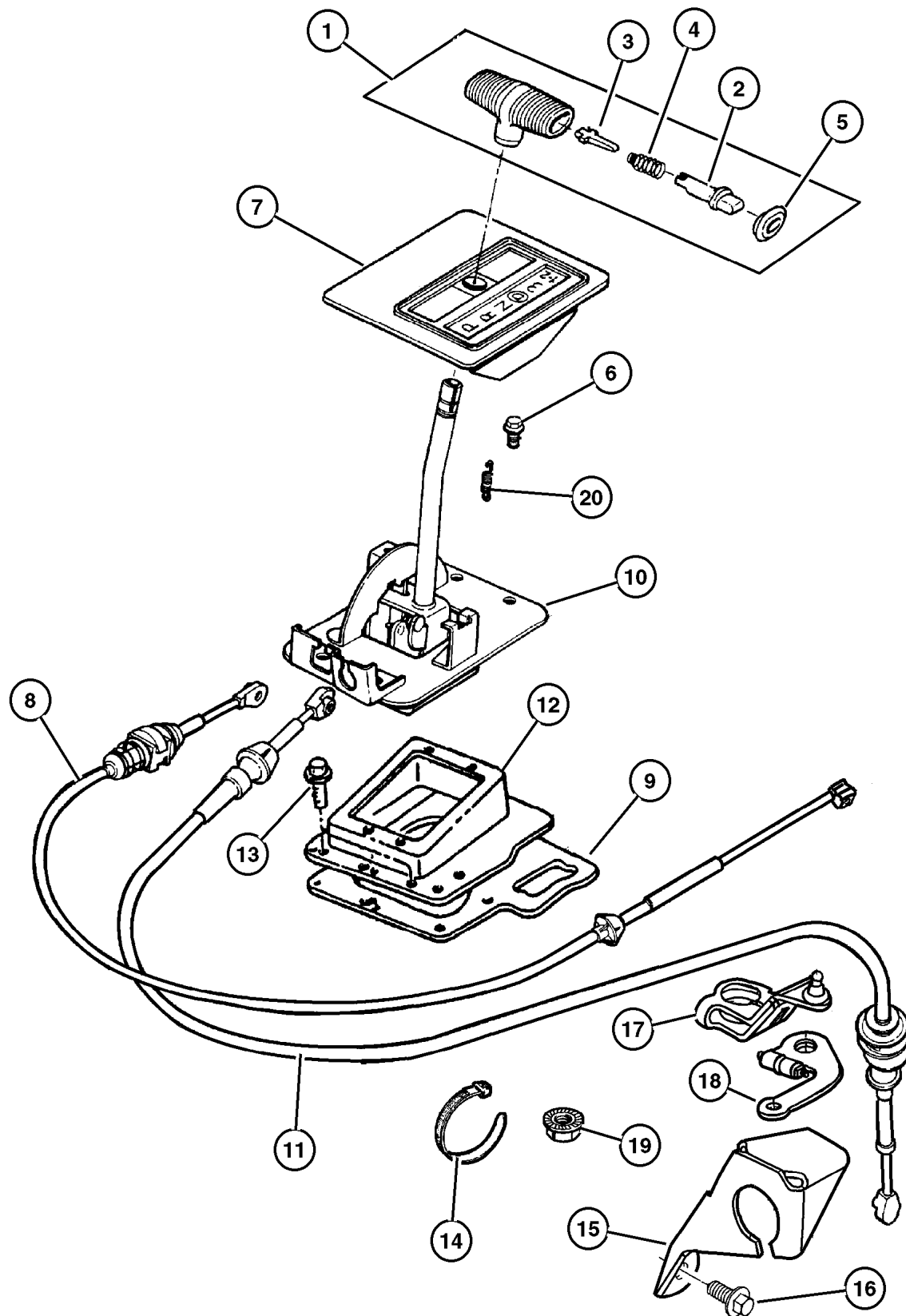
JEEP WRANGLER (TJ)

SERIES	LINE	BODY	ENGINE	TRANSMISSION
L=Low Line	J = Wrangler 4WD U = Wrangler 4WD (RHD)	77 = 93.4 WB	EPE, EP0 = 2.5L Power Tech ERH, ER0 = 4.0L Power Tech	DGG, DGD = 32RH 3 Spd. Auto. DDQ = 5 Spd. Manual DG0 = All Auto. Trans. DBB =All Manual Trans.

AR = Use as required - = Non illustrated part # = New this model year

June 7, 2002

**Gearshift Controls 30RH (DGD)
Figure 30RH-1230**



Note: J=Dana 35 Rear Axle---DRK=Dana 44 Rear Axle

DBB = All Manual Transmissions J=Dana 35 Rear Axle---DRK=Dana 44 Rear Axle
 DG0 = All Automatic Transmissions J=Dana 35 Rear Axle---DRK=Dana 44 Rear Axle
 EPE = 2.5L SMPI Magnum 4 Cyl Engine J=Dana 35 Rear Axle---DRK=Dana 44 Rear Axle
 EP0 = All 2.5L 4 Cyl Gas Engines J=Dana 35 Rear Axle---DRK=Dana 44 Rear Axle
 ERH = 4.0L Power Tech Engine J=Dana 35 Rear Axle---DRK=Dana 44 Rear Axle
 ER0 = All 4.0L 6 Cyl Gas Engines J=Dana 35 Rear Axle---DRK=Dana 44 Rear Axle

ITEM	PART NUMBER	QTY	LINE	SERIES	ENGINE	TRANS	DESCRIPTION
1	5210 4028	1				DG0	HANDLE, Gearshift 1997 TJ
		1				DG0	Lever, 1998 TJ, 1999 TJ
2	5300 0211	1				DG0	BUTTON, Gearshift Knob
3	5300 0865	1				DG0	LEVER, Gearshift
4	5300 0866	1				DG0	SPRING, Button Return
5	5207 7561	1				DG0	CAP, Gearshift Handle Button
6	1150 4284	4	J			DG0	SCREW, Hex Flange Head, M8x1.25x25.00 1997 TJ, 1998 TJ
		4	U			DG0	1997 TJ, 1998 TJ
	6501 648	4				DG0	1999 TJ
7	5511 5570	1	J			DG0	BEZEL AND DIAL, Gearshift Lever 1997 TJ
		1	J			DG0	Shift, 1998 TJ
	55115 570AB	1	J			DG0	1999 TJ
	5511 5571	1	U			DG0	RHD, 1997 TJ, 1998 TJ
	55115 571AB	1	U			DG0	1999 TJ
8	5210 4144	1				DG0	CABLE, Park Interlock 1998 TJ, 1999 TJ
	5210 4188	1				DG0	1997 TJ
9	5300 0659	1	J			DG0	SEAL, Shift Housing
		1	U			DG0	RHD, 1997 TJ
		1	U			DG0	1998 TJ, 1999 TJ
10	5207 8551	1	J			DG0	HOUSING, Shift Lever 1997 TJ, 1998 TJ
	52078 551AB	1	J			DG0	1999 TJ
	5207 8841	1	U			DG0	RHD, 1997 TJ, 1998 TJ
	52078 841AB	1	U			DG0	1999 TJ
11	5210 4142	1	J			DG0	CABLE, Shift 1997 TJ
		1	U			DG0	RHD, 1997 TJ
		1				DG0	1998 TJ, 1999 TJ
12	5300 0704	1				DG0	COVER, Gearshift 1997 TJ
		1				DG0	Shift Housing, 1998 TJ, 1999 TJ
13							SCREW, Hex Self Tapping, .19-16x.50

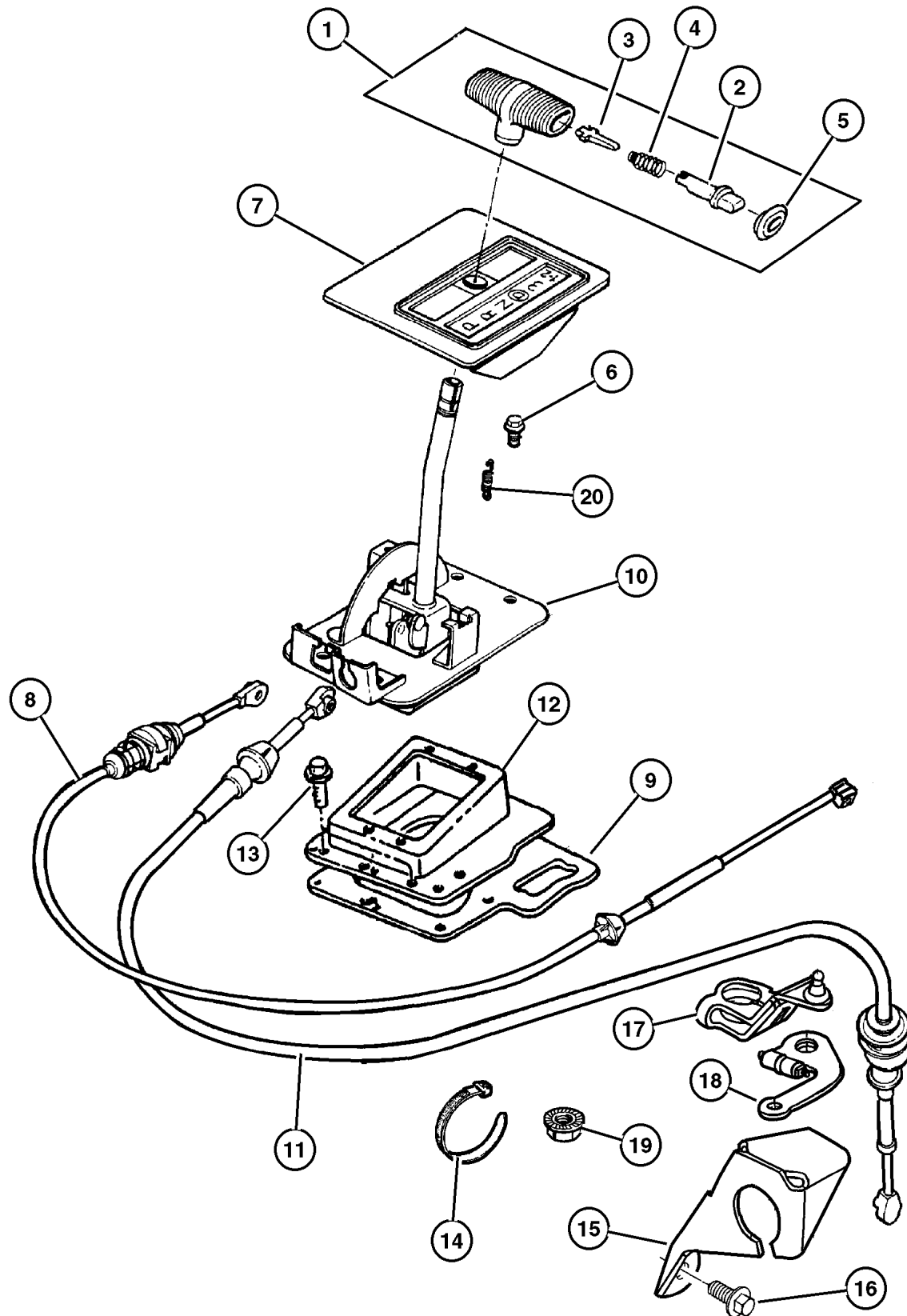
JEEP WRANGLER (TJ)

SERIES	LINE	BODY	ENGINE	TRANSMISSION
L=Low Line	J = Wrangler 4WD U = Wrangler 4WD (RHD)	77 = 93.4 WB	EPE, EP0 = 2.5L Power Tech ERH, ER0 = 4.0L Power Tech	DGG, DGD = 32RH 3 Spd. Auto. DDQ = 5 Spd. Manual DG0 = All Auto. Trans. DBB =All Manual Trans.

AR = Use as required - = Non illustrated part # = New this model year

June 7, 2002

Gearshift Controls 30RH (DGD) Figure 30RH-1230



ITEM	PART NUMBER	QTY	LINE	SERIES	ENGINE	TRANS	DESCRIPTION
	J400 1701	9				DBB	1997 TJ
		9				DBB	10-16 x 1/2", 1998 TJ, 1999 TJ
14	4641 780	1			EPO, ERO	DG0	STRAP, Tie 1999 TJ
	3420 1788	2					1997 TJ, 1998 TJ
15	5207 8255	1				DG0	BRACKET, Shift Cable 1997 TJ
		1				DG0	Shift Cable Mtg., 1998 TJ, 1999 TJ
16							SCREW AND WASHER, Truss Head, .312-18x.750, (NOT SERVICED)
17							LEVER, Manual Control
	5207 9168	1			EPO, ERO	DG0	1997 TJ
	52079 168AB	1			EPO, ERO	DG0	1998 TJ, 1999 TJ
18							LEVER, Throttle Valve
	3681 227	1			EPO	DGD	1999 TJ
	5207 8723	1			EPO, ERO	DG0	1997 TJ, 1998 TJ
19							NUT, Hex, .437-14
	0152 476	1					.437-14, 1997 TJ, 1998 TJ
	6028 114	1				DG0	1999 TJ
20							SPRING, Pawl Return (NOT SERVICED), 1998 TJ, 1999 TJ
	5300 3350	1	J			DG0	1997 TJ
		1	U			DG0	1997 TJ

JEEP WRANGLER (TJ)

SERIES	LINE	BODY	ENGINE	TRANSMISSION
L=Low Line	J = Wrangler 4WD U = Wrangler 4WD (RHD)	77 = 93.4 WB	EPE, EP0 = 2.5L Power Tech ERH, ER0 = 4.0L Power Tech	DGG, DGD = 32RH 3 Spd. Auto. DDQ = 5 Spd. Manual DG0 = All Auto. Trans. DBB =All Manual Trans.

AR = Use as required - = Non illustrated part # = New this model year

June 7, 2002

Group – 32RH

Automatic Transmission 3 Speed

GROUP 32RH - Automatic Transmission 3 Speed

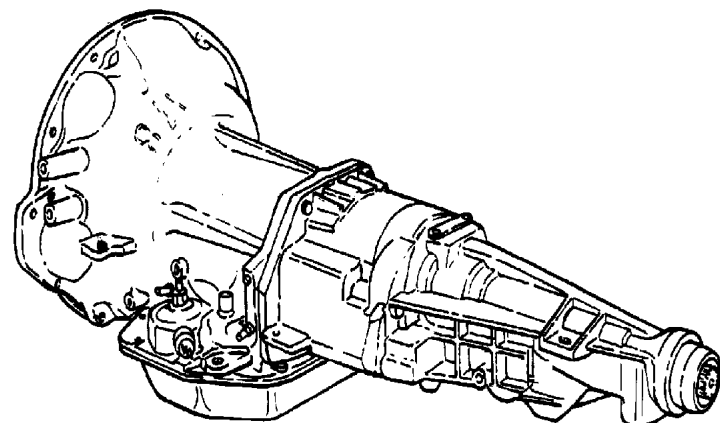


Illustration Title

Group-Fig. No.

Transmission Assembly

Transmission 32RH (DGG) Fig. 32RH-110

Case and Extension

Case and Related Parts 32RH (DGG) 1997 TJ Fig. 32RH-210

Case and Related Parts 32RH (DGG) 1998 TJ Fig. 32RH-210

Case and Related Parts 32RH (DGG) 1999 TJ Fig. 32RH-210

Oil Pump

Oil Pump 32RH (DGG) Fig. 32RH-310

Gear Train

Clutch, Front and Rear 32RH (DGG) Fig. 32RH-410

Output Shaft 32RH (DGG) Fig. 32RH-420

Bands, Reverse and Kickdown

Bands 32RH (DGG) Fig. 32RH-510

Governor

Governor 32RH (DGG) Fig. 32RH-610

Valve Body

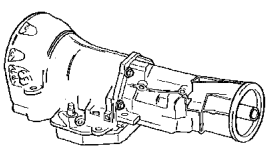
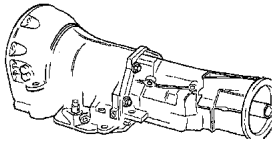

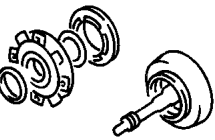
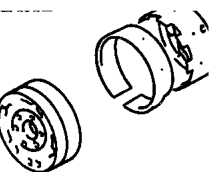
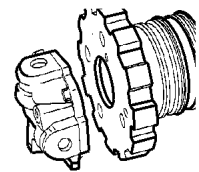
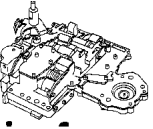
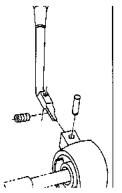
Valve Body 32RH (DGG) Fig. 32RH-710

Servos 32RH (DGG) Fig. 32RH-720

Parking Sprag 32RH (DGG) Fig. 32RH-730

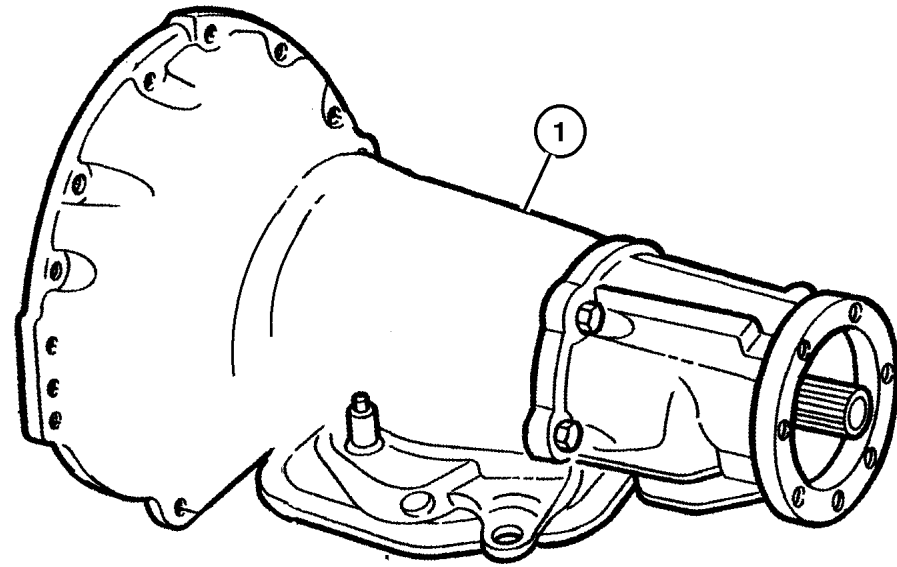
Gearshift Controls

Gearshift Controls 32RH (DGG) Fig. 32RH-1230

<p>32RH-100 Transmission Assembly</p> 	<p>32RH-200 Case and Extension</p> 	<p>32RH-300 Oil Pump</p> 	<p>32RH-400 Gear Train</p> 
<p>32RH-500 Bands, Reverse and Kickdown</p> 	<p>32RH-600 Governor</p> 	<p>32RH-700 Valve Body</p> 	<p>32RH-1200 Gearshift Controls</p> 

Transmission 32RH (DGG)
Figure 32RH-110

T67-110



ITEM	PART NUMBER	QTY	LINE	SERIES	ENGINE	TRANS	DESCRIPTION
------	-------------	-----	------	--------	--------	-------	-------------

Note: J=Dana 35 Rear Axle---DRK=Dana 44 Rear Axle

DGG = 3 Speed Automatic Transmission 32RH J=Dana 35 Rear Axle---DRK=Dana 44 Rear Axle

DG0 = All Automatic Transmissions J=Dana 35 Rear Axle---DRK=Dana 44 Rear Axle

ERH = 4.0L Power Tech Engine J=Dana 35 Rear Axle---DRK=Dana 44 Rear Axle

ER0 = All 4.0L 6 Cyl Gas Engines J=Dana 35 Rear Axle---DRK=Dana 44 Rear Axle

ITEM	PART NUMBER	QTY	LINE	SERIES	ENGINE	TRANS	DESCRIPTION
1							TRANSMISSION PACKAGE
	4883 727AA	1			ER0	DGG	52119529(Package Contains 52119529 Transmission, K1949765 Converter, K4736596), 1997 TJ
	5003 149AA	1			ER0	DGG	52119525 (Package contains, 52119525 Transmission, K4736596 Converter, K1949765 Bolts), 1998 TJ
	#5013 402AA	1			ER0	DGG	52119813AA (Package contains, 52119813AA transmission, K4736596 Converter, K1949765 Bolts), 1999 TJ

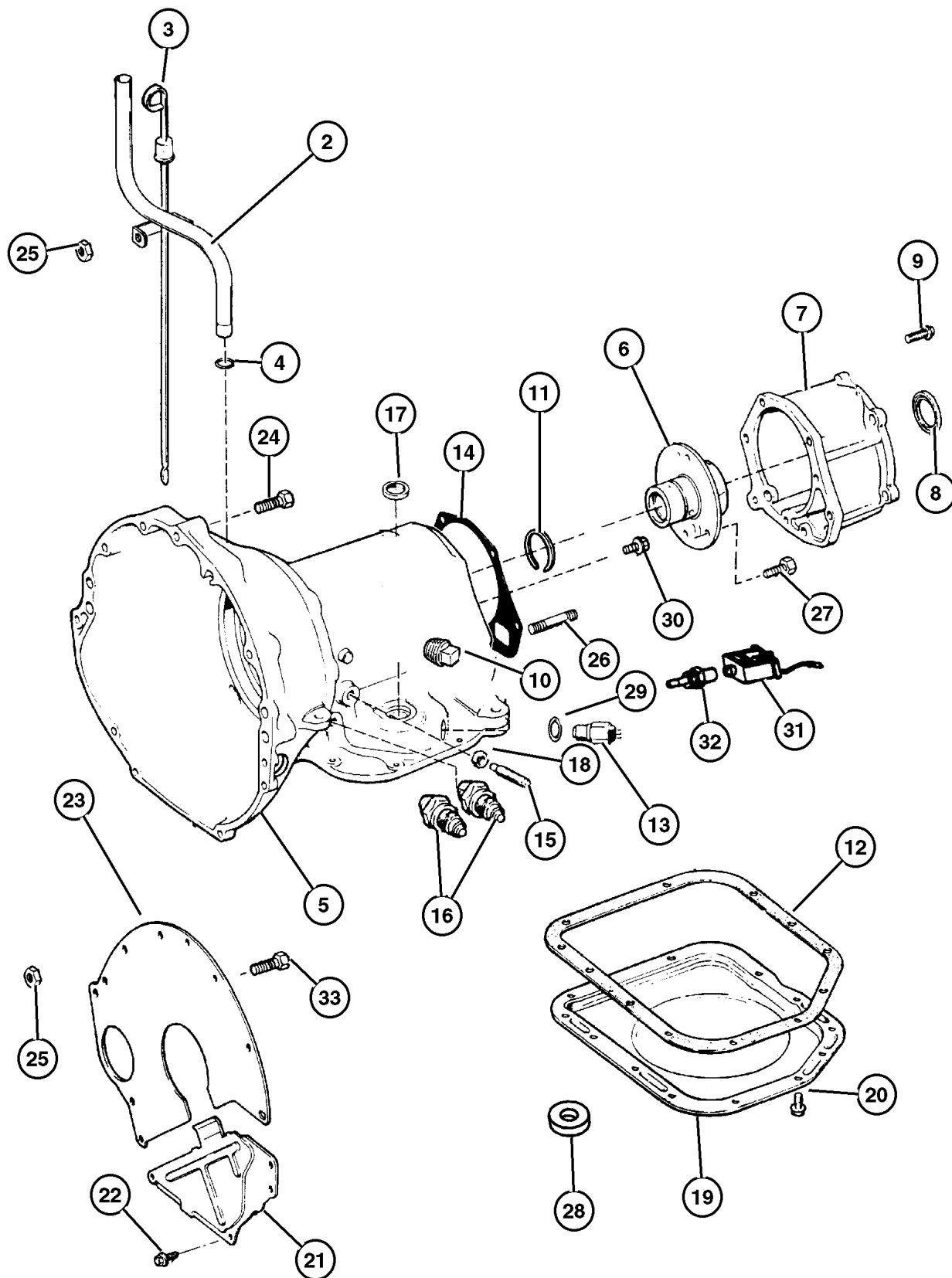
JEEP WRANGLER (TJ)

SERIES	LINE	BODY	ENGINE	TRANSMISSION
L=Low Line	J = Wrangler 4WD U = Wrangler 4WD (RHD)	77 = 93.4 WB	EPE, EP0 = 2.5L Power Tech ERH, ER0 = 4.0L Power Tech	DGG, DGD = 32RH 3 Spd. Auto. DDQ = 5 Spd. Manual DG0 = All Auto. Trans. DBB =All Manual Trans.

AR = Use as required - = Non illustrated part # = New this model year

June 7, 2002

Case and Related Parts 32RH (DGG) 1997 TJ
Figure 32RH-210



ITEM	PART NUMBER	QTY	LINE	SERIES	ENGINE	TRANS	DESCRIPTION
Note: J=Dana 35 Rear Axle---DRK=Dana 44 Rear Axle							
DDK = 5 Speed Heavy Duty Transmission J=Dana 35 Rear Axle---DRK=Dana 44 Rear Axle							
DGG = 3 Speed Automatic Transmission 32RH J=Dana 35 Rear Axle---DRK=Dana 44 Rear Axle							
DG0 = All Automatic Transmissions J=Dana 35 Rear Axle---DRK=Dana 44 Rear Axle							
EPE = 2.5L SMPI Magnum 4 Cyl Engine J=Dana 35 Rear Axle---DRK=Dana 44 Rear Axle							
EP0 = All 2.5L 4 Cyl Gas Engines J=Dana 35 Rear Axle---DRK=Dana 44 Rear Axle							
ERH = 4.0L Power Tech Engine J=Dana 35 Rear Axle---DRK=Dana 44 Rear Axle							
ER0 = All 4.0L 6 Cyl Gas Engines J=Dana 35 Rear Axle---DRK=Dana 44 Rear Axle							
-1	4864 955	1			ER0	DGG	SEAL AND GASKET PACKAGE, Transmission, Major Repair
2	5211 8060	1			ER0	DG0	TUBE, Transmission Oil Filler
3	5211 8063	1			EP0, ER0	DG0	INDICATOR, Transmission Fluid Level
4	J094 0298	1			EP0, ER0	DG0	SEAL, Oil Filler Tube
5	5211 8344	1			ER0	DGG	CASE, Transmission
6	4431 433	1			ER0	DGG	SUPPORT, Output Shaft
7	5211 8076	1			ER0	DGG	ADAPTER, Transmission
8	4269 956	1			ER0	DGG	SEAL, Adapter
9	6030 849	1			ER0	DGG	SCREW AND WASHER, Hex Head Locking, .375-16x1.375
10	6028 095	1			ER0	DGG	PLUG, Pressure Check
11	6033 480	1			ER0	DGG	SNAP RING, Reverse Drum
12	4295 875	1			ER0	DGG	GASKET, Oil Pan
13	3747 361	1			ER0	DGG	SWITCH, Neutral, Safety, Back Up
14	2466 954	1			ER0	DGG	GASKET, Transmission Case
15	1942 477	1			ER0	DGG	SCREW, Band Adjusting
16	5202 8471	2			ER0	DGG	CONNECTOR, Oil Cooler Tube, .375 Tube x .25 Thread
17	4505 098	1			ER0	DGG	SEAL, Manual Shift Valve, 1.25 OD
18	0124 934	1			ER0	DGG	NUT, Hex Jam, .50-20, K/Down Band Adj.,
19	4202 005	1			ER0	DGG	PAN, Transmission Oil
20	4723 548	14			ER0	DGG	SCREW AND WASHER, Hex Head, .312-18x.625
21	5211 8136	1			ER0	DG0	COVER, Converter
22	6035 031	3			ER0	DG0	SCREW AND WASHER, Hex Head, .312-18x.625
23	J323 7847	1			ER0	DG0	SPACER, Clutch Housing
24	J400 1885	1			ER0	DG0	BOLT AND WASHER, Hex Head, .437-14x2.75
25	J021 9422	1			ER0	DG0	NUT, Hex
26	6033 157	1			ER0	DGG	STUD, .375-16x2.312
27	6033 479	6			ER0	DGG	BOLT, Hex Head, .25-28x1-5/8
28	3681 601	1			ER0	DGG	MAGNET, Transmission
29	2408 143	1				DG0	WASHER, Switch
30	6033 616	5			ER0	DGG	SCREW, Hex Flange Head, .25-28x.875

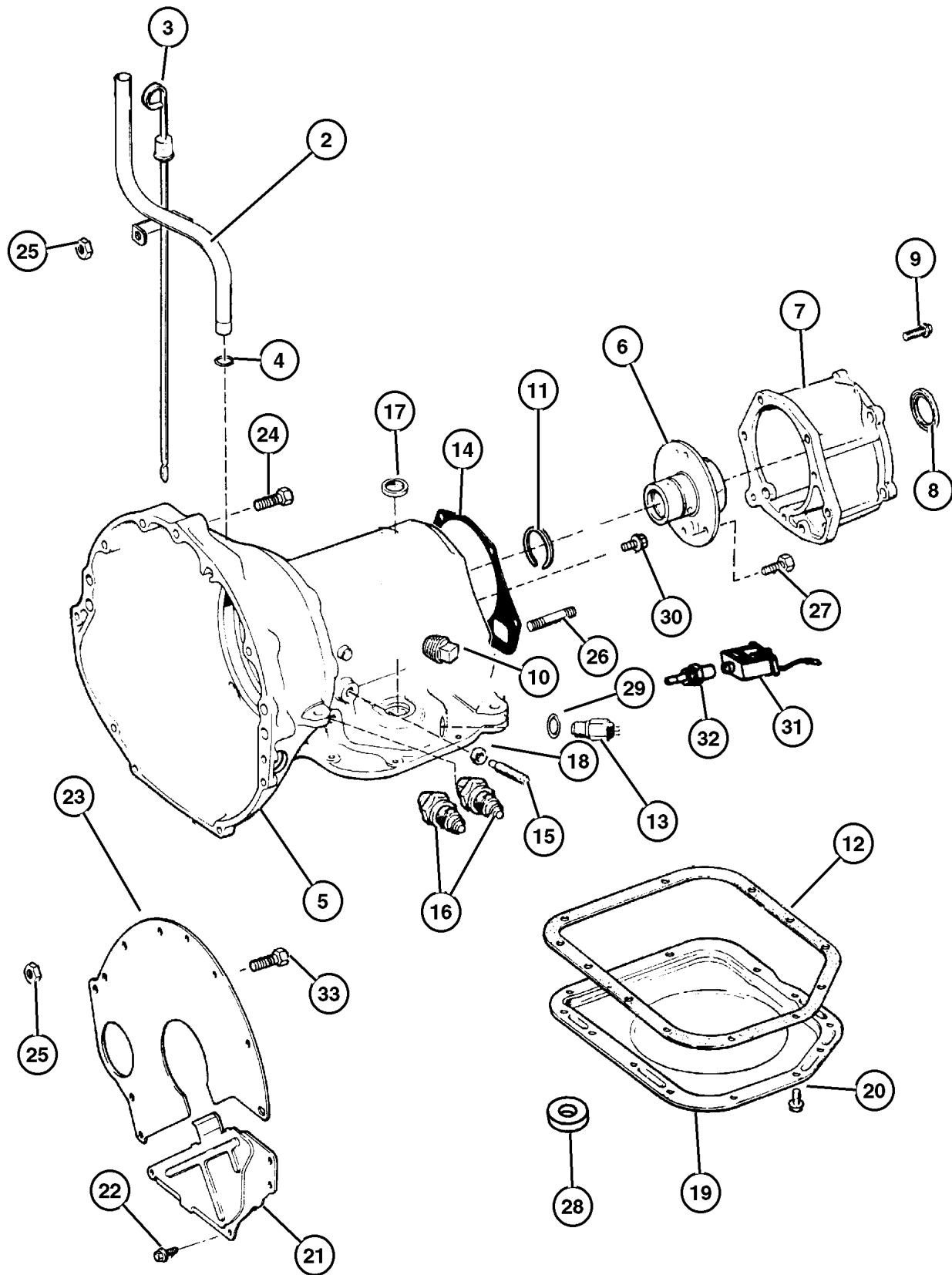
JEEP WRANGLER (TJ)

SERIES	LINE	BODY	ENGINE	TRANSMISSION
L=Low Line	J = Wrangler 4WD U = Wrangler 4WD (RHD)	77 = 93.4 WB	EPE, EP0 = 2.5L Power Tech ERH, ER0 = 4.0L Power Tech	DGG, DGD = 32RH 3 Spd. Auto. DDQ = 5 Spd. Manual DG0 = All Auto. Trans. DBB =All Manual Trans.

AR = Use as required - = Non illustrated part # = New this model year

June 7, 2002

Case and Related Parts 32RH (DGG) 1997 TJ
Figure 32RH-210



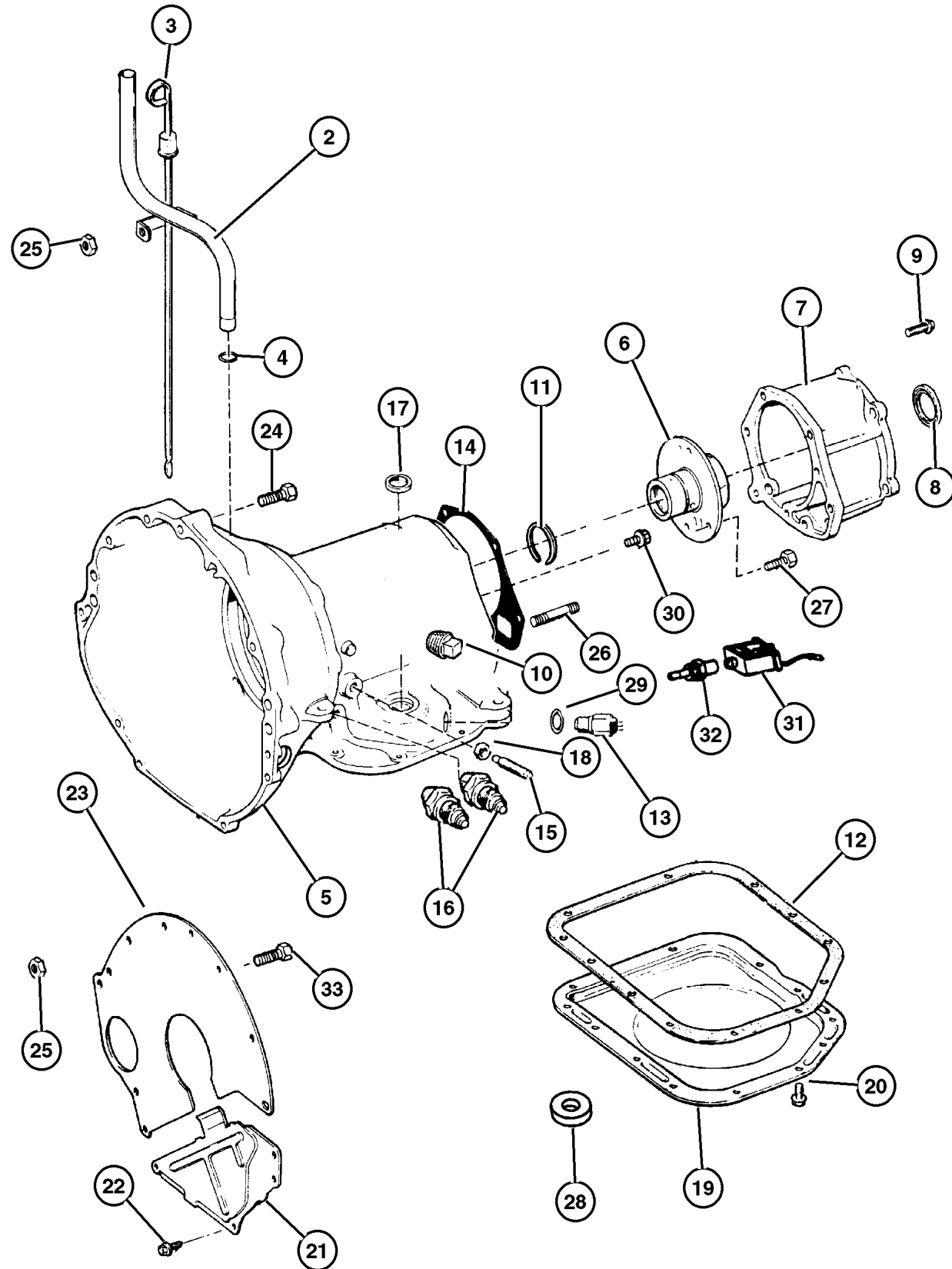
ITEM	PART NUMBER	QTY	LINE	SERIES	ENGINE	TRANS	DESCRIPTION
31	5211 8595	1			ER0	DGG	SOLENOID, Transmission
32	5603 8235	1			ER0	DGG	CONNECTOR, Wiring
33	K018 1127	1					BOLT, Hex Head, .375-16x2.25

JEEP WRANGLER (TJ)		BODY	ENGINE	TRANSMISSION
SERIES	LINE	77 = 93.4 WB	EPE, EP0 = 2.5L Power Tech ERH, ER0 = 4.0L Power Tech	DGG, DGD = 32RH 3 Spd. Auto. DDQ = 5 Spd. Manual DG0 = All Auto. Trans. DBB = All Manual Trans.
L=Low Line	J = Wrangler 4WD U = Wrangler 4WD (RHD)			

AR = Use as required - = Non illustrated part # = New this model year

June 7, 2002

Case and Related Parts 32RH (DGG) 1998 TJ
Figure 32RH-210



Note: J=Dana 35 Rear Axle---DRK=Dana 44 Rear Axle

DDK = 5 Speed Heavy Duty Transmission J=Dana 35 Rear Axle---DRK=Dana 44 Rear Axle

DGG = 3 Speed Automatic Transmission 32RH J=Dana 35 Rear Axle---DRK=Dana 44 Rear Axle

DG0 = All Automatic Transmissions J=Dana 35 Rear Axle---DRK=Dana 44 Rear Axle

EPE = 2.5L SMPI Magnum 4 Cyl Engine J=Dana 35 Rear Axle---DRK=Dana 44 Rear Axle

EP0 = All 2.5L 4 Cyl Gas Engines J=Dana 35 Rear Axle---DRK=Dana 44 Rear Axle

ERH = 4.0L Power Tech Engine J=Dana 35 Rear Axle---DRK=Dana 44 Rear Axle

ER0 = All 4.0L 6 Cyl Gas Engines J=Dana 35 Rear Axle---DRK=Dana 44 Rear Axle

ITEM	PART NUMBER	QTY	LINE	SERIES	ENGINE	TRANS	DESCRIPTION
-1	4883 957AA	1			ER0	DGG	SEAL AND GASKET PACKAGE, Transmission
2	52104 243AB	1			ER0	DG0	TUBE, Transmission Oil Filler
3	52104 240AB	1			EP0, ER0	DG0	INDICATOR, Transmission Fluid Level
4	52118 629AB	1			EP0, ER0	DG0	SEAL, Oil Filler Tube
5	5211 8344	1			ER0	DGG	CASE, Transmission
6	4431 433	1			ER0	DGG	SUPPORT, Output Shaft
7	5211 8076	1			ER0	DGG	ADAPTER, Transmission
8	4269 956	1			ER0	DGG	SEAL, Adapter
9	6030 849	5			ER0	DGG	SCREW AND WASHER, Hex Head Locking, .375-16x1.375
10	6028 095	1			ER0	DGG	PLUG, Pressure Check
11	6033 480	1			ER0	DGG	SNAP RING, Reverse Drum
12	4295 875	1			ER0	DGG	GASKET, Oil Pan
13	5602 8181	1			ER0	DGG	SWITCH, Neutral, Safety, Back Up
14	2466 954	1			ER0	DGG	GASKET, Transmission Case
15	1942 477	1			ER0	DGG	SCREW
16	5202 8471	1			ER0	DGG	CONNECTOR, Oil Cooler Tube, .375 Tube x .25 Thread
17	4505 098	1			ER0	DGG	SEAL, Manual Shift Valve, 1.25 OD
18	0124 934	1			ER0	DGG	NUT, Hex Jam, .50-20
19	5211 8802	1			ER0	DGG	PAN, Transmission Oil
20	4723 548	14			ER0	DGG	SCREW AND WASHER, Hex Head, .312-18x.625
21	5211 8136	1			ER0	DG0	COVER, Converter
22	6035 031	3			ER0	DG0	SCREW AND WASHER, Hex Head, .312-18x.625, 5/16-18 x 5/8"
23	J323 7847	1			ER0	DG0	SPACER, Clutch Housing
24	J400 1885	1			ER0	DG0	BOLT AND WASHER, Hex Head, .437-14x2.75
25	J021 9422	1			ER0	DG0	NUT, Hex
26	6033 157	1			ER0	DGG	STUD, .375-16x2.312
27	6033 479	6			ER0	DGG	BOLT, Hex Head, .25-28x1-5/8
28	3681 601	1			ER0	DGG	MAGNET, Transmission
29	2408 143	1				DG0	WASHER, Switch
30	6033 616	5			ER0	DGG	SCREW, Hex Flange Head, .25-28x.875

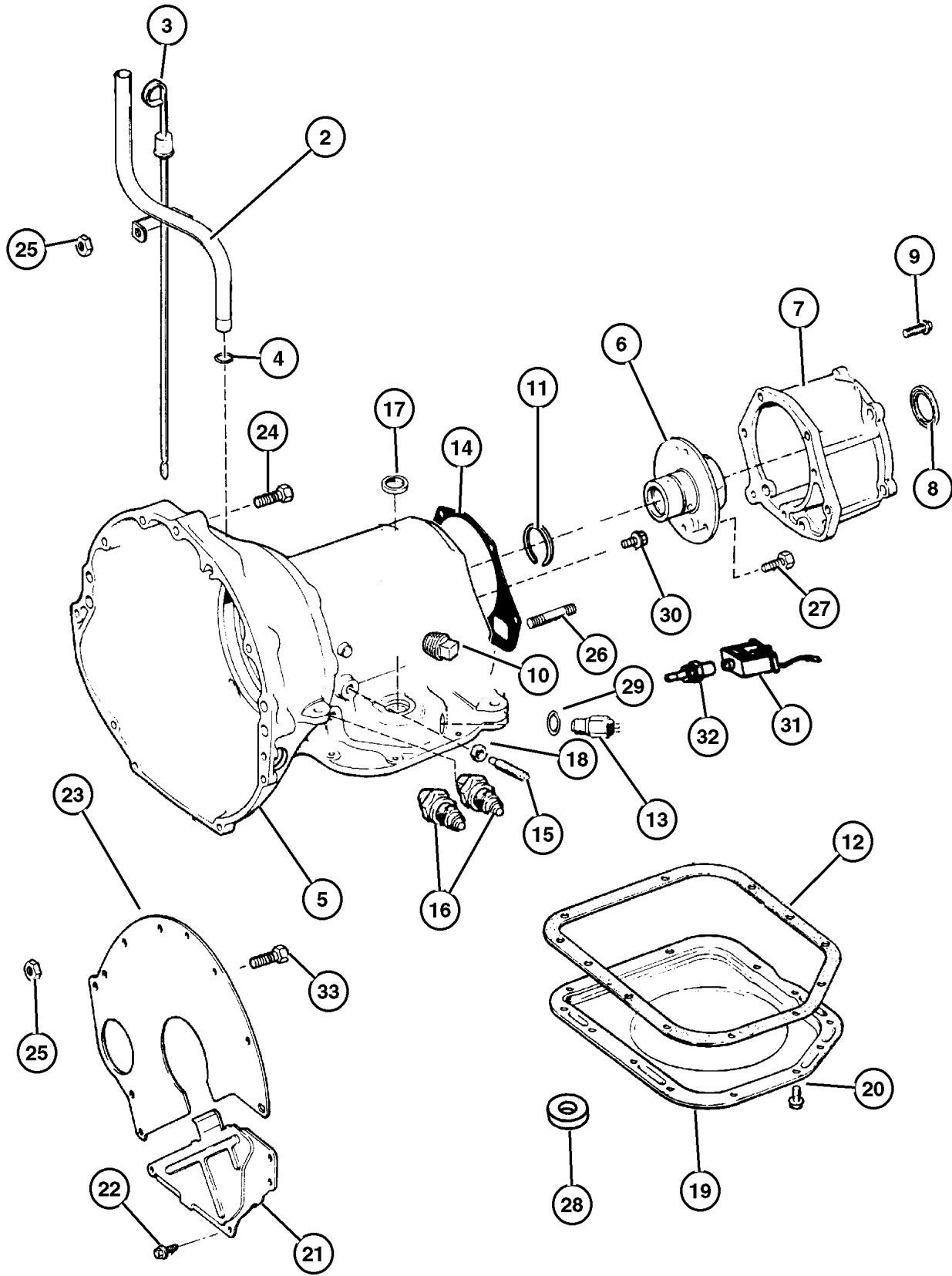
JEEP WRANGLER (TJ)

SERIES	LINE	BODY	ENGINE	TRANSMISSION
L=Low Line	J = Wrangler 4WD U = Wrangler 4WD (RHD)	77 = 93.4 WB	EPE, EP0 = 2.5L Power Tech ERH, ER0 = 4.0L Power Tech	DGG, DGD = 32RH 3 Spd. Auto. DDQ = 5 Spd. Manual DG0 = All Auto. Trans. DBB =All Manual Trans.

AR = Use as required - = Non illustrated part # = New this model year

June 7, 2002

Case and Related Parts 32RH (DGG) 1998 TJ
Figure 32RH-210



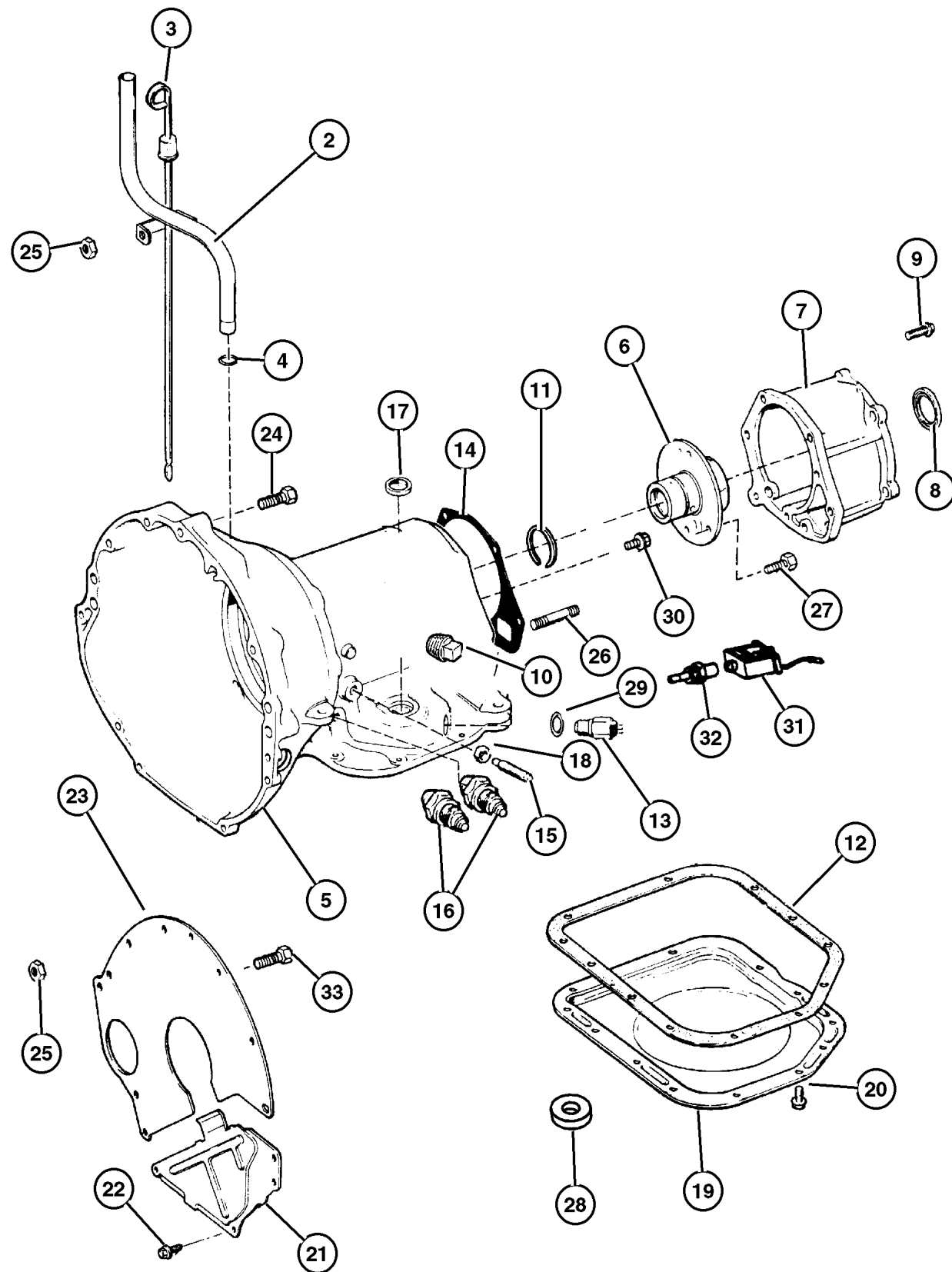
ITEM	PART NUMBER	QTY	LINE	SERIES	ENGINE	TRANS	DESCRIPTION
31	5211 8595	1			ER0	DGG	SOLENOID, Transmission
32	5603 8235	1			ER0	DGG	CONNECTOR, Wiring
33	0153 371	3			ER0	DG0	BOLT, Hex Head, .375-16x2.25

JEEP WRANGLER (TJ)		BODY	ENGINE	TRANSMISSION
SERIES	LINE	77 = 93.4 WB	EPE, EP0 = 2.5L Power Tech ERH, ER0 = 4.0L Power Tech	DGG, DGD = 32RH 3 Spd. Auto. DDQ = 5 Spd. Manual DG0 = All Auto. Trans. DBB = All Manual Trans.
L=Low Line	J = Wrangler 4WD U = Wrangler 4WD (RHD)			

AR = Use as required - = Non illustrated part # = New this model year

June 7, 2002

Case and Related Parts 32RH (DGG) 1999 TJ
Figure 32RH-210



ITEM	PART NUMBER	QTY	LINE	SERIES	ENGINE	TRANS	DESCRIPTION
Note: J=Dana 35 Rear Axle---DRK=Dana 44 Rear Axle							
DDK = 5 Speed Heavy Duty Transmission J=Dana 35 Rear Axle---DRK=Dana 44 Rear Axle							
DGG = 3 Speed Automatic Transmission 32RH J=Dana 35 Rear Axle---DRK=Dana 44 Rear Axle							
DG0 = All Automatic Transmissions J=Dana 35 Rear Axle---DRK=Dana 44 Rear Axle							
EPE = 2.5L SMPI Magnum 4 Cyl Engine J=Dana 35 Rear Axle---DRK=Dana 44 Rear Axle							
EP0 = All 2.5L 4 Cyl Gas Engines J=Dana 35 Rear Axle---DRK=Dana 44 Rear Axle							
ERH = 4.0L Power Tech Engine J=Dana 35 Rear Axle---DRK=Dana 44 Rear Axle							
ER0 = All 4.0L 6 Cyl Gas Engines J=Dana 35 Rear Axle---DRK=Dana 44 Rear Axle							
-1	4883 957AA	1			ER0	DGG	SEAL AND GASKET PACKAGE, Transmission
2	52104 243AB	1			ER0	DG0	TUBE, Transmission Oil Filler
3	52104 240AB	1			EP0, ER0	DG0	INDICATOR, Transmission Fluid Level
4	52118 629AB	1			EP0, ER0	DG0	SEAL, Oil Filler Tube
5	5252 034	1			ER0	DDK	CASE, Transmission
	5211 8344	1			ER0	DGG	
6	4431 433	1			ER0	DGG	SUPPORT, Output Shaft
7	5211 8076	1			ER0	DGG	ADAPTER, Transmission
8	4269 956	1			ER0	DGG	SEAL, Adapter
9	6030 849	5			ER0	DGG	SCREW AND WASHER, Hex Head Locking, .375-16x1.375
10	6028 095	1			ER0	DGG	PLUG, Pressure Check
11	6033 480	1			ER0	DGG	SNAP RING, Reverse Drum
12	4295 875	1			ER0	DGG	GASKET, Oil Pan
13	5602 8181	1			ER0	DGG	SWITCH, Neutral, Safety, Back Up
14	2466 954	1			ER0	DGG	GASKET, Transmission Case
15	6036 141AA	1			ER0	DGG	SCREW
16	5202 8471	1			ER0	DGG	CONNECTOR, Oil Cooler Tube, .375 Tube x .25 Thread
17	4505 098	1			ER0	DGG	SEAL, Manual Shift Valve, 1.25 OD
18	0124 934	1			ER0	DGG	NUT, Hex Jam, .50-20
19	5211 8802	1			ER0	DGG	PAN, Transmission Oil
20	4723 548	14			ER0	DGG	SCREW AND WASHER, Hex Head, .312-18x.625
21	5211 8136	1			ER0	DG0	COVER, Converter
22	6035 031	3			ER0	DG0	SCREW AND WASHER, Hex Head, .312-18x.625, 5/16-18 x 5/8"
23	J323 7847	1			ER0	DG0	SPACER, Clutch Housing
24	J400 4370	2			ER0	DG0	BOLT AND WASHER, Hex Head, .437-14x2.75
25	J021 9422	2			ER0	DG0	NUT, Hex
26	6033 157	1			ER0	DGG	STUD, .375-16x2.312
27	6033 479	6			ER0	DGG	BOLT, Hex Head, .25-28x1-5/8
28	3681 601	1			ER0	DGG	MAGNET, Transmission

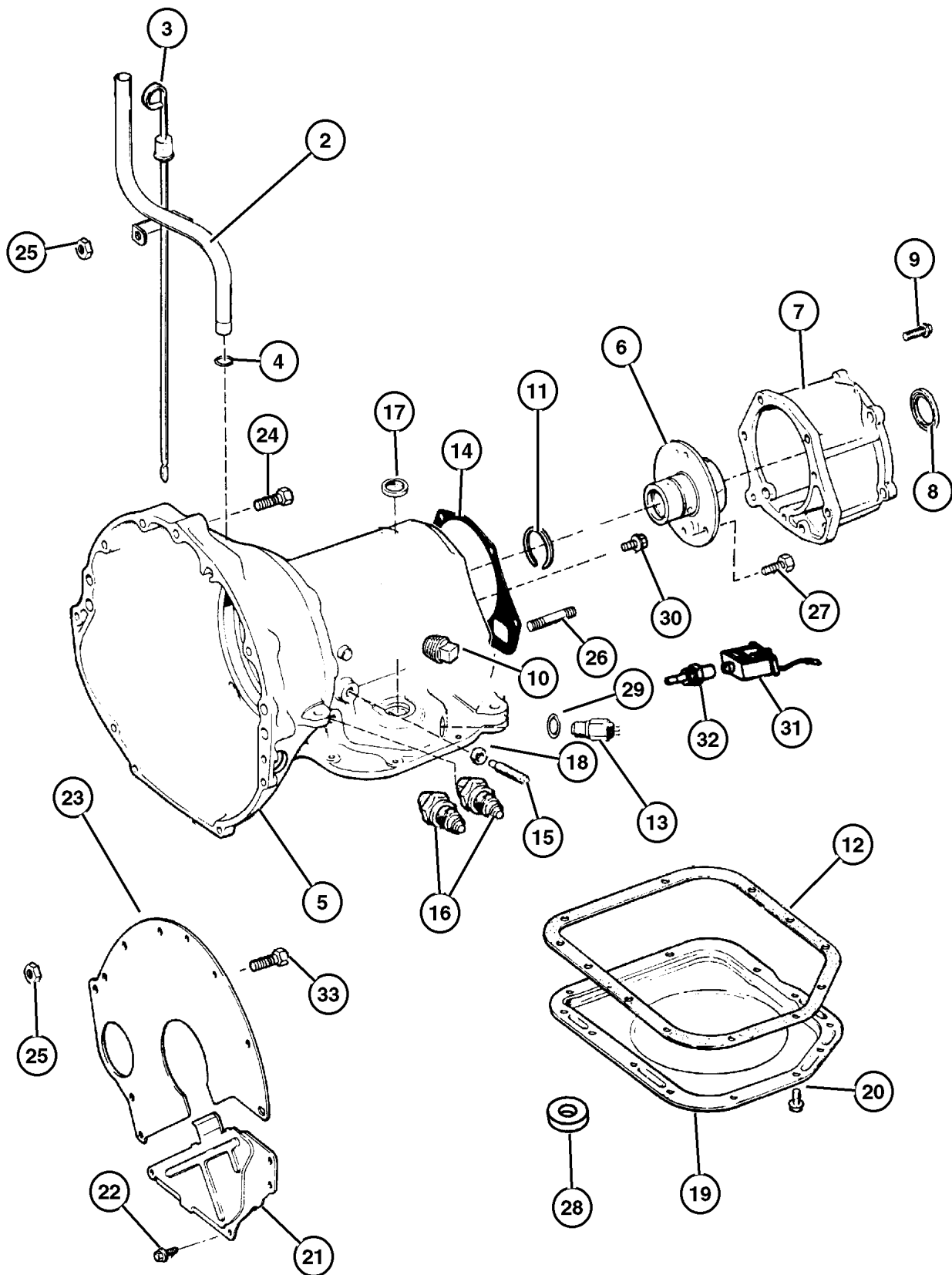
JEEP WRANGLER (TJ)

SERIES	LINE	BODY	ENGINE	TRANSMISSION
L=Low Line	J = Wrangler 4WD U = Wrangler 4WD (RHD)	77 = 93.4 WB	EPE, EP0 = 2.5L Power Tech ERH, ER0 = 4.0L Power Tech	DGG, DGD = 32RH 3 Spd. Auto. DDQ = 5 Spd. Manual DG0 = All Auto. Trans. DBB =All Manual Trans.

AR = Use as required - = Non illustrated part # = New this model year

June 7, 2002

Case and Related Parts 32RH (DGG) 1999 TJ
Figure 32RH-210



ITEM	PART NUMBER	QTY	LINE	SERIES	ENGINE	TRANS	DESCRIPTION
29	2408 143	1				DG0	WASHER, Switch
30	6033 616	5			ER0	DGG	SCREW, Hex Flange Head, .25-28x.875
31	5211 8595	1			ER0	DGG	SOLENOID, Transmission
32	5603 8235	1			ER0	DGG	CONNECTOR, Wiring
33	0153 371	3			ER0	DG0	BOLT, Hex Head, .375-16x2.25

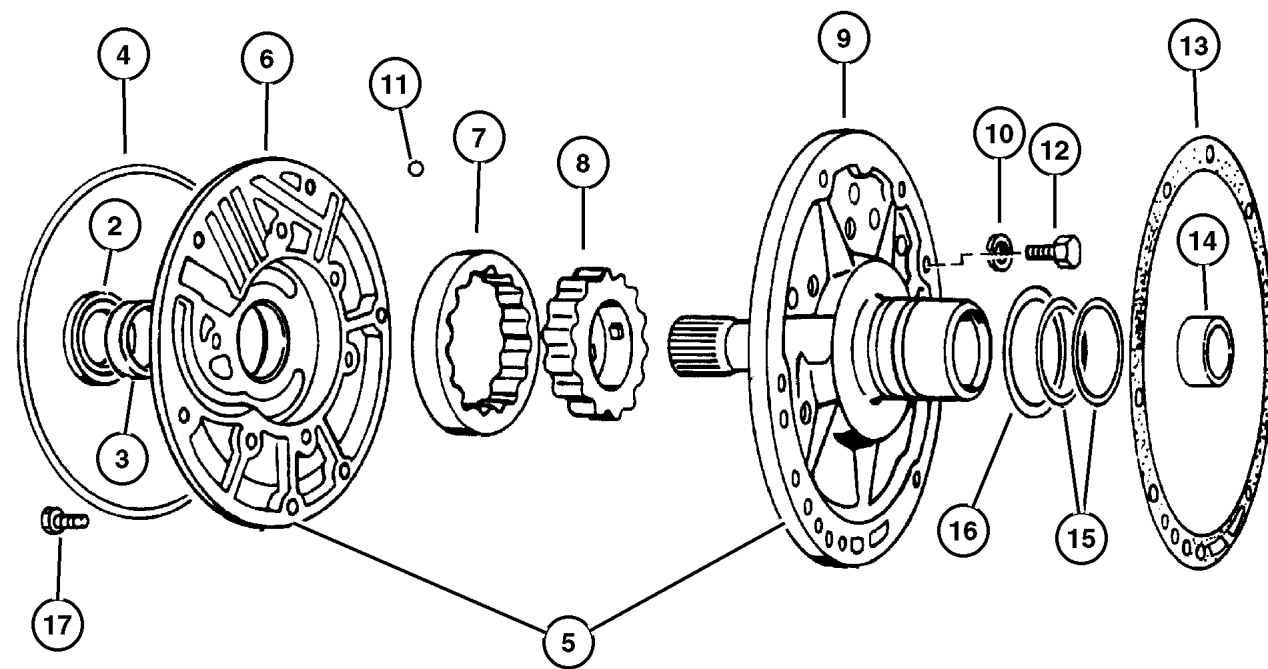
JEEP WRANGLER (TJ)

SERIES	LINE	BODY	ENGINE	TRANSMISSION
L=Low Line	J = Wrangler 4WD U = Wrangler 4WD (RHD)	77 = 93.4 WB	EPE, EP0 = 2.5L Power Tech ERH, ER0 = 4.0L Power Tech	DGG, DGD = 32RH 3 Spd. Auto. DDQ = 5 Spd. Manual DG0 = All Auto. Trans. DBB =All Manual Trans.

AR = Use as required - = Non illustrated part # = New this model year

June 7, 2002

Oil Pump 32RH (DGG) Figure 32RH-310



ITEM	PART NUMBER	QTY	LINE	SERIES	ENGINE	TRANS	DESCRIPTION
Note: J=Dana 35 Rear Axle---DRK=Dana 44 Rear Axle							
DGG = 3 Speed Automatic Transmission 32RH J=Dana 35 Rear Axle---DRK=Dana 44 Rear Axle							
DG0 = All Automatic Transmissions J=Dana 35 Rear Axle---DRK=Dana 44 Rear Axle							
ERH = 4.0L Power Tech Engine J=Dana 35 Rear Axle---DRK=Dana 44 Rear Axle							
ER0 = All 4.0L 6 Cyl Gas Engines J=Dana 35 Rear Axle---DRK=Dana 44 Rear Axle							
-1							GASKET AND SEAL PACKAGE, Transmission Oil Pump
	4713 108	1			ER0	DGG	Frnt. Pump, 1997 TJ
		1			ER0	DGG	1998 TJ, 1999 TJ
2	4412 475	1			ER0	DGG	SEAL, Impeller Hub, 57.25mm OD
3	2466 796	1			ER0	DGG	BUSHING, Front Pump
4	2204 709	1			ER0	DGG	SEAL, Front Pump Housing
5							PUMP, Transmission Oil
	4778 552	1			ER0	DGG	1997 TJ, 1998 TJ
	5211 8267	1			ER0	DGG	1999 TJ
6							HOUSING, Pump, (NOT SERVICED)
7							ROTOR, Oil Pump, (NOT SERVICED)
8							ROTOR, Oil Pump, (NOT SERVICED)
9							SHAFT, Oil Pump, (NOT SERVICED)
10							WASHER, (NOT SERVICED)
11							BALL, Valve Body Check, (NOT SERVICED)
12	0179 815	6			ER0	DGG	SCREW, Hex Head, .312-18x.687
13	5211 8266	1			ER0	DGG	GASKET, Transmission Oil Pump
14	4058 635	1			ER0	DGG	BUSHING, Reaction Shaft
15							SEAL, Ring Reaction Support, 2 1/16 O.D.
	4471 874	1			ER0	DGG	1997 TJ
		2			ER0	DGG	1998 TJ, 1999 TJ
16							THRUST WASHER, Front Clutch
	4617 786	1			ER0	DGG	1997 TJ, 1998 TJ
		AR			ER0		1999 TJ
17	6023 943	6			ER0	DGG	SCREW AND WASHER, Hex Flange Head, .312-18x1.375

JEEP WRANGLER (TJ)

SERIES	LINE	BODY	ENGINE	TRANSMISSION
L=Low Line	J = Wrangler 4WD U = Wrangler 4WD (RHD)	77 = 93.4 WB	EPE, EP0 = 2.5L Power Tech ERH, ER0 = 4.0L Power Tech	DGG, DGD = 32RH 3 Spd. Auto. DDQ = 5 Spd. Manual DG0 = All Auto. Trans. DBB =All Manual Trans.

AR = Use as required - = Non illustrated part # = New this model year

June 7, 2002

**Clutch, Front and Rear 32RH (DGG)
Figure 32RH-410**

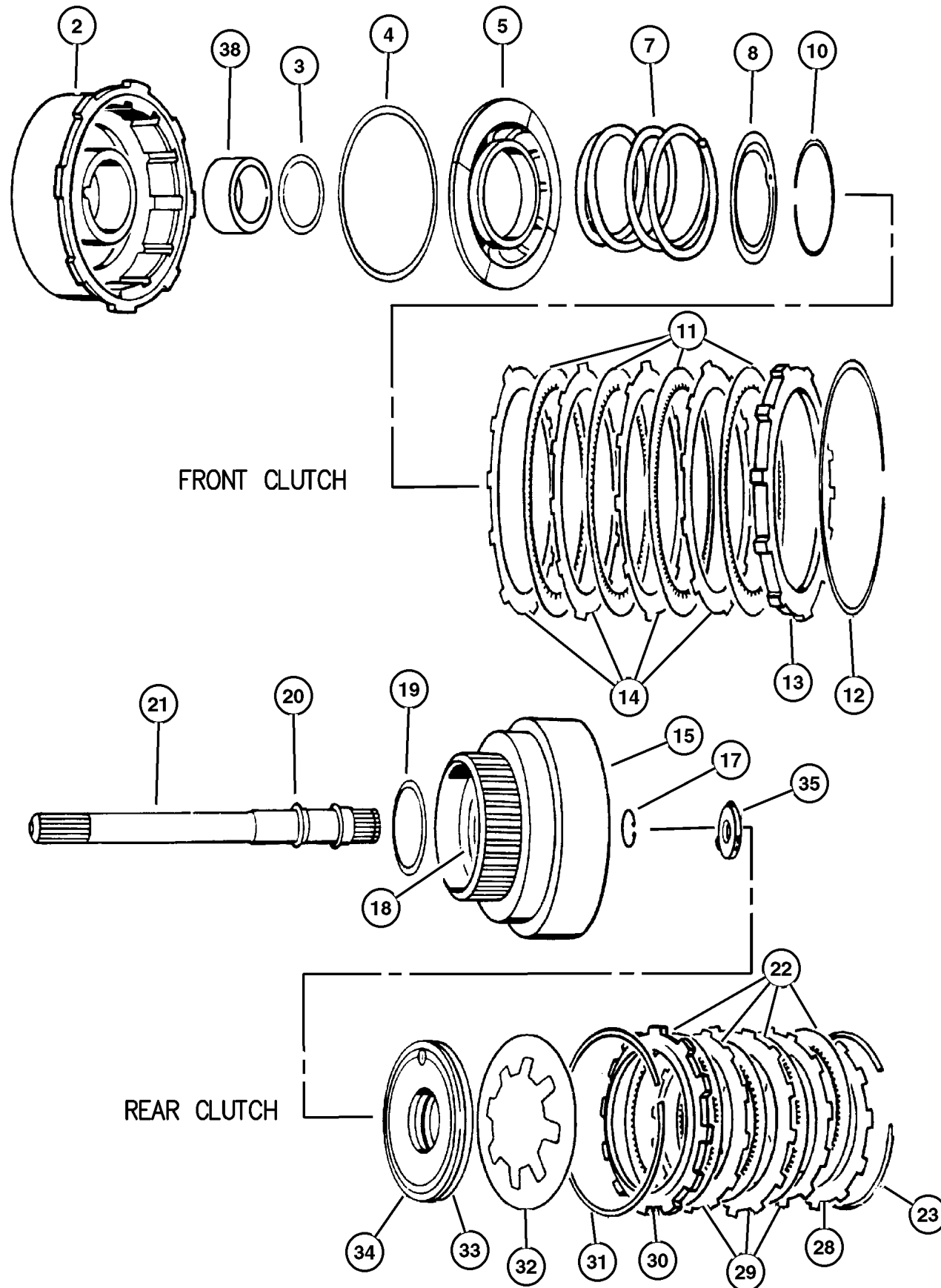
ITEM	PART NUMBER	QTY	LINE	SERIES	ENGINE	TRANS	DESCRIPTION
Note: J=Dana 35 Rear Axle---DRK=Dana 44 Rear Axle							
DGG = 3 Speed Automatic Transmission 32RH J=Dana 35 Rear Axle---DRK=Dana 44 Rear Axle							
DG0 = All Automatic Transmissions J=Dana 35 Rear Axle---DRK=Dana 44 Rear Axle							
ERH = 4.0L Power Tech Engine J=Dana 35 Rear Axle---DRK=Dana 44 Rear Axle							
ER0 = All 4.0L 6 Cyl Gas Engines J=Dana 35 Rear Axle---DRK=Dana 44 Rear Axle							
-1	5252 926	1			ER0	DGG	SEAL PACKAGE, Transmission Clutch
2	4531 285	1			ER0	DGG	RETAINER AND BUSHING, Transmission Front Clutch
3							SEAL, Front Clutch Piston
	3515 176	1			ER0	DGG	Rubber,, 1997 TJ
		1			ER0	DGG	1998 TJ, 1999 TJ
4							SEAL, Front Piston Clutch
	4058 487	1			ER0	DGG	Frnt. Clutch Piston, Outer, 1997 TJ
		1			ER0	DGG	1998 TJ, 1999 TJ
5							PISTON, Clutch
	3515 716	1			ER0	DGG	1999 TJ
	4617 154	1			ER0	DGG	Outer, 1997 TJ
		1			ER0	DGG	1998 TJ
-6	0147 483	1			ER0	DGG	CHECK BALL, Dia-.187
7	3515 054	1			ER0	DGG	SPRING, Front Clutch
8							RETAINER, Transmission Front Clutch Piston
							Spring
	4617 516	1			ER0	DGG	1997 TJ, 1998 TJ
	4617 516AB	1			ER0	DGG	1999 TJ
-9	0147 483	1			ER0	DGG	CHECK BALL, Dia-.187
10							SNAP RING
	1638 461	2			ER0	DGG	1998 TJ, 1999 TJ
	1942 400	1			ER0	DGG	Inner, 1997 TJ
11	4617 362	4			ER0	DGG	DISC, Direct Clutch
12							SNAP RING
	3410 571	1			ER0	DGG	Outer, 1997 TJ
		1			ER0	DGG	1998 TJ, 1999 TJ
13	4617 176	1			ER0	DGG	PLATE, Transmission Clutch Reaction
14							PLATE, Clutch Separator
	1942 403	4			ER0	DGG	1997 TJ
	1942 403AB	4			ER0	DGG	1998 TJ, 1999 TJ
15	4505 199	1			ER0	DGG	RETAINER, Transmission Rear Clutch
-16	0147 483	1			ER0	DGG	CHECK BALL, Dia-.187
17							SNAP RING, .890625
	6022 859	1			ER0	DGG	., 1997 TJ
		1			ER0	DGG	1998 TJ, 1999 TJ
18	4028 333	1			ER0	DGG	SEAL, Rear Clutch, 1.50 ODx.009 Thk
19							THRUST WASHER, Front Clutch

JEEP WRANGLER (TJ)

SERIES	LINE	BODY	ENGINE	TRANSMISSION
L=Low Line	J = Wrangler 4WD U = Wrangler 4WD (RHD)	77 = 93.4 WB	EPE, EP0 = 2.5L Power Tech ERH, ER0 = 4.0L Power Tech	DGG, DGD = 32RH 3 Spd. Auto. DDQ = 5 Spd. Manual DGO = All Auto. Trans. DDB =All Manual Trans.

AR = Use as required - = Non illustrated part # = New this model year

June 7, 2002

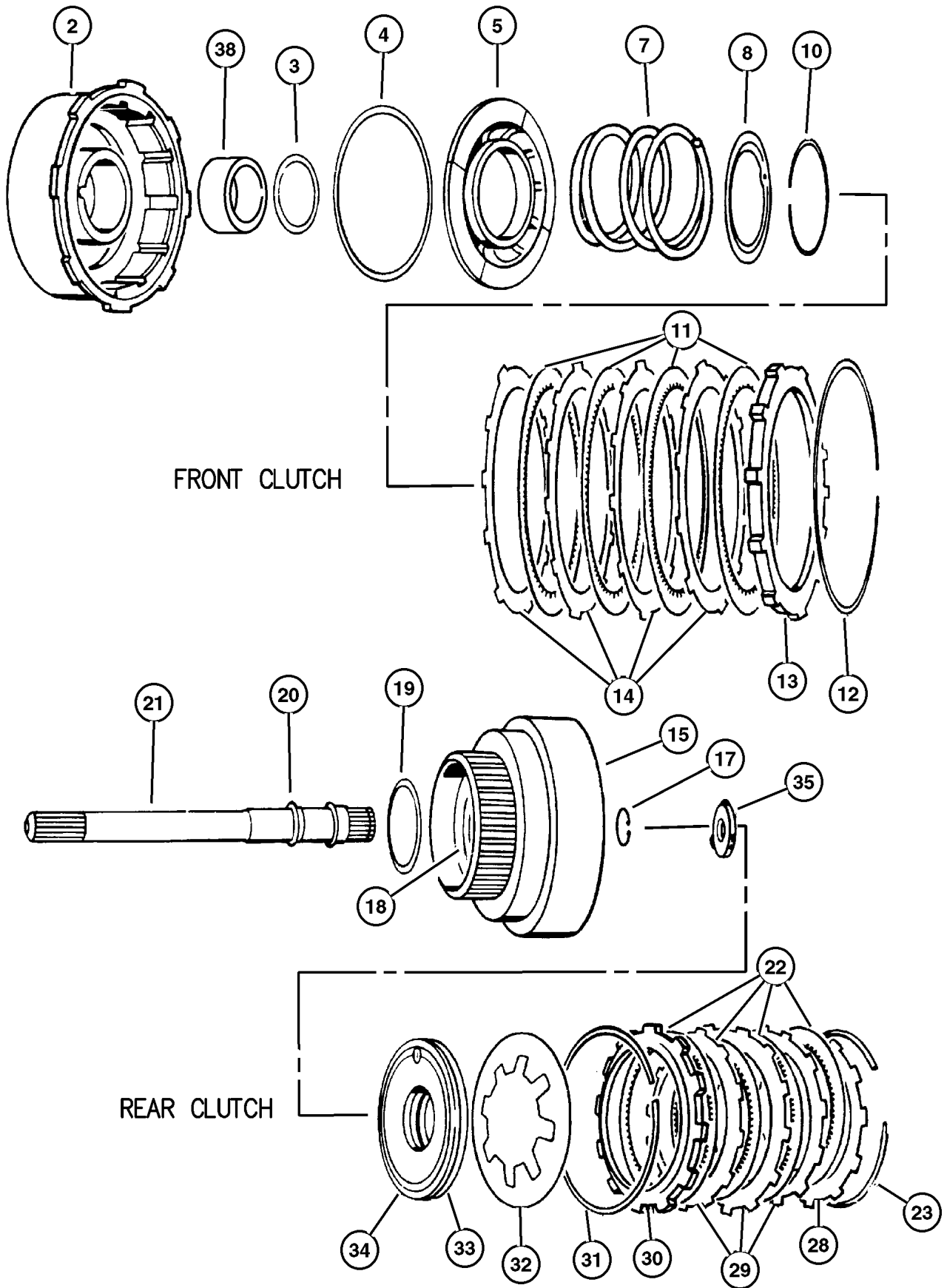


**Clutch, Front and Rear 32RH (DGG)
Figure 32RH-410**

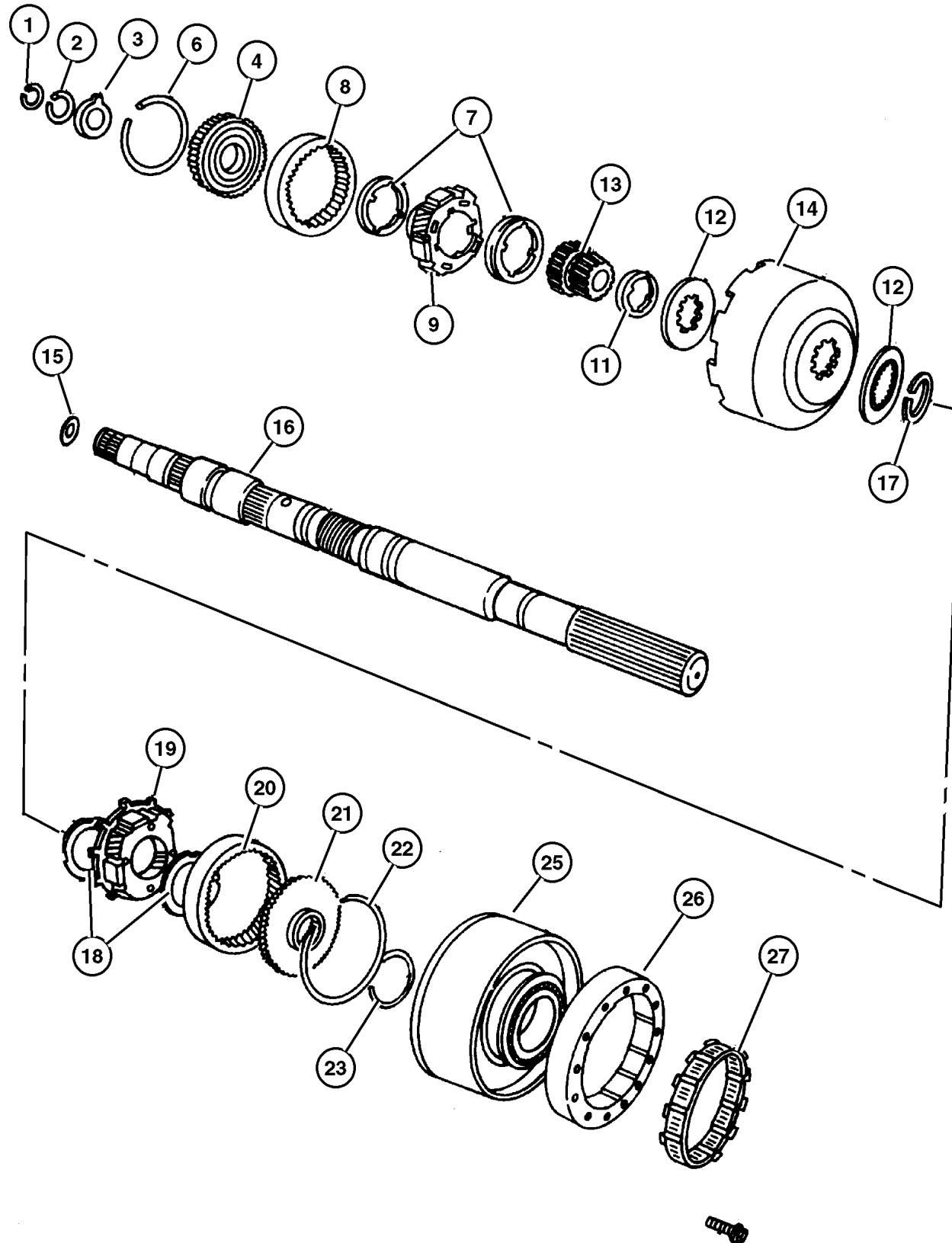
ITEM	PART NUMBER	QTY	LINE	SERIES	ENGINE	TRANS	DESCRIPTION
	4617 786	1			ER0	DGG	1997 TJ, 1998 TJ
		AR			ER0		1999 TJ
20							SEAL, Input Shaft
	1401 221	1			ER0	DGG	Front, 1997 TJ
		1			ER0	DGG	1998 TJ, 1999 TJ
21	4505 189	1			ER0	DGG	INPUT SHAFT, Transmission
22	4713 880	4			ER0	DGG	DISC, Clutch
23	4130 761	1			ER0	DGG	SNAP RING
-24	4539 121	1			ER0	DGG	SNAP RING, Rear Clutch, .076
-25	4539 123	1			ER0	DGG	SNAP RING, Rear Clutch, .095
-26	4539 122	1			ER0	DGG	SNAP RING, Rear Clutch, .098
-27	4539 124	1			ER0	DGG	SNAP RING, Rear Clutch, .107
28	4617 176	1			ER0	DGG	PLATE, Transmission Clutch Reaction
29							PLATE, Clutch Separator
	1942 403	4			ER0	DGG	1997 TJ
	1942 403AB	3			ER0	DGG	1998 TJ, 1999 TJ
30							PLATE, Clutch Pressure
	2466 281	1			ER0	DGG	Front, 1997 TJ
		1			ER0	DGG	1998 TJ, 1999 TJ
31							SPRING, Rear Clutch
	2466 283	1			ER0	DGG	Wave, 1997 TJ
		1			ER0	DGG	1998 TJ, 1999 TJ
32	4728 487	1			ER0	DGG	SPRING, Rear Clutch Piston
33							SEAL, Rear Clutch Piston
	2538 510	1			ER0	DGG	Inner, 1997 TJ
		1			ER0	DGG	1998 TJ, 1999 TJ
	2538 695	1			ER0	DGG	Rubber, Outer, 1997 TJ
34	3515 716	1			ER0	DGG	PISTON, Clutch
35	4505 185	1			ER0	DGG	THRUST WASHER, Output Shaft, Gray .052
-36	4505 186	1			ER0	DGG	THRUST WASHER, Output Shaft, Red .068
-37	4505 187	1			ER0	DGG	THRUST WASHER, Output Shaft, Green .083
38	4617 157	1			ER0	DGG	BUSHING, Front Clutch
-39	4617 159	1			ER0	DGG	BUSHING, Rear Clutch

JEEP WRANGLER (TJ)				
SERIES	LINE	BODY	ENGINE	TRANSMISSION
L=Low Line	J = Wrangler 4WD U = Wrangler 4WD (RHD)	77 = 93.4 WB	EPE, EP0 = 2.5L Power Tech ERH, ER0 = 4.0L Power Tech	DGG, DGD = 32RH 3 Spd. Auto. DDQ = 5 Spd. Manual DGO = All Auto. Trans. DBB =All Manual Trans.

AR = Use as required - = Non illustrated part # = New this model year June 7, 2002



**Output Shaft 32RH (DGG)
Figure 32RH-420**



ITEM	PART NUMBER	QTY	LINE	SERIES	ENGINE	TRANS	DESCRIPTION
Note: J=Dana 35 Rear Axle---DRK=Dana 44 Rear Axle							
DGG = 3 Speed Automatic Transmission 32RH J=Dana 35 Rear Axle---DRK=Dana 44 Rear Axle							
DG0 = All Automatic Transmissions J=Dana 35 Rear Axle---DRK=Dana 44 Rear Axle							
ERH = 4.0L Power Tech Engine J=Dana 35 Rear Axle---DRK=Dana 44 Rear Axle							
ER0 = All 4.0L 6 Cyl Gas Engines J=Dana 35 Rear Axle---DRK=Dana 44 Rear Axle							
1	6026 289	1			ER0	DGG	SNAP RING, .946 ID
2	6030 576	1			ER0	DGG	SNAP RING, Annulus Gear, 1.375 ID
3	3681 969	1			ER0	DGG	THRUST WASHER, Annulus Gear
4	4617 774	1			ER0	DGG	SUPPORT, Annulus Gear
-5	6030 576	1			ER0	DGG	SNAP RING, Annulus Gear, 1.375 ID
6	6035 238	1			ER0	DGG	SNAP RING
7	4130 518	2			ER0	DGG	THRUST WASHER, Planetary Carrier
8	4130 512	1			ER0	DGG	GEAR, Front Annulus
9	4130 514	1			ER0	DGG	CARRIER, Planetary Pinion
		1			ER0	DGG	Front, 1997 TJ
		1			ER0	DGG	1998 TJ, 1999 TJ
-10	3681 949	8			ER0	DGG	THRUST WASHER, Planet Pinion
11	4130 736	1			ER0	DGG	SPACER, Sun Gear
12	4471 566	2			ER0	DGG	PLATE, Transmission Module
13	4130 685	1			ER0	DGG	GEAR, Sun
14	4531 288	1			ER0	DGG	SHELL, Sun Gear
15	4505 188	1			ER0	DGG	PLATE, Transmission Module
16	4617 320	1			ER0	DGG	MAINSHAFT, Transmission
17	1942 439	1			ER0	DGG	SNAP RING, Sun Gear Shell
18	3681 935	1			ER0	DGG	THRUST WASHER, Planetary Carrier
19	4431 438	1			ER0	DGG	CARRIER, Planetary Pinion
		1			ER0	DGG	Rear, 1997 TJ
		1			ER0	DGG	1998 TJ, 1999 TJ
20	3743 184	1			ER0	DGG	GEAR, Rear Annulus
21	3515 501	1			ER0	DGG	SUPPORT, Annulus Gear
22	1942 444	1			ER0	DGG	SNAP RING
23	6033 480	1			ER0	DGG	SNAP RING, Reverse Drum
-24	6033 616	5			ER0	DGG	SCREW, Hex Flange Head, .25-28x.875
25	4637 956	1			ER0	DGG	DRUM PACKAGE, Transmission
		1			ER0	DGG	Reverse, 1997 TJ
		1			ER0	DGG	1998 TJ, 1999 TJ
26	4431 690	1			ER0	DGG	CAM, Overrunning Clutch
		1			ER0	DGG	Clutch, 1997 TJ
		1			ER0	DGG	1998 TJ, 1999 TJ
27	4431 432	1			ER0	DGG	CLUTCH, Overrunning

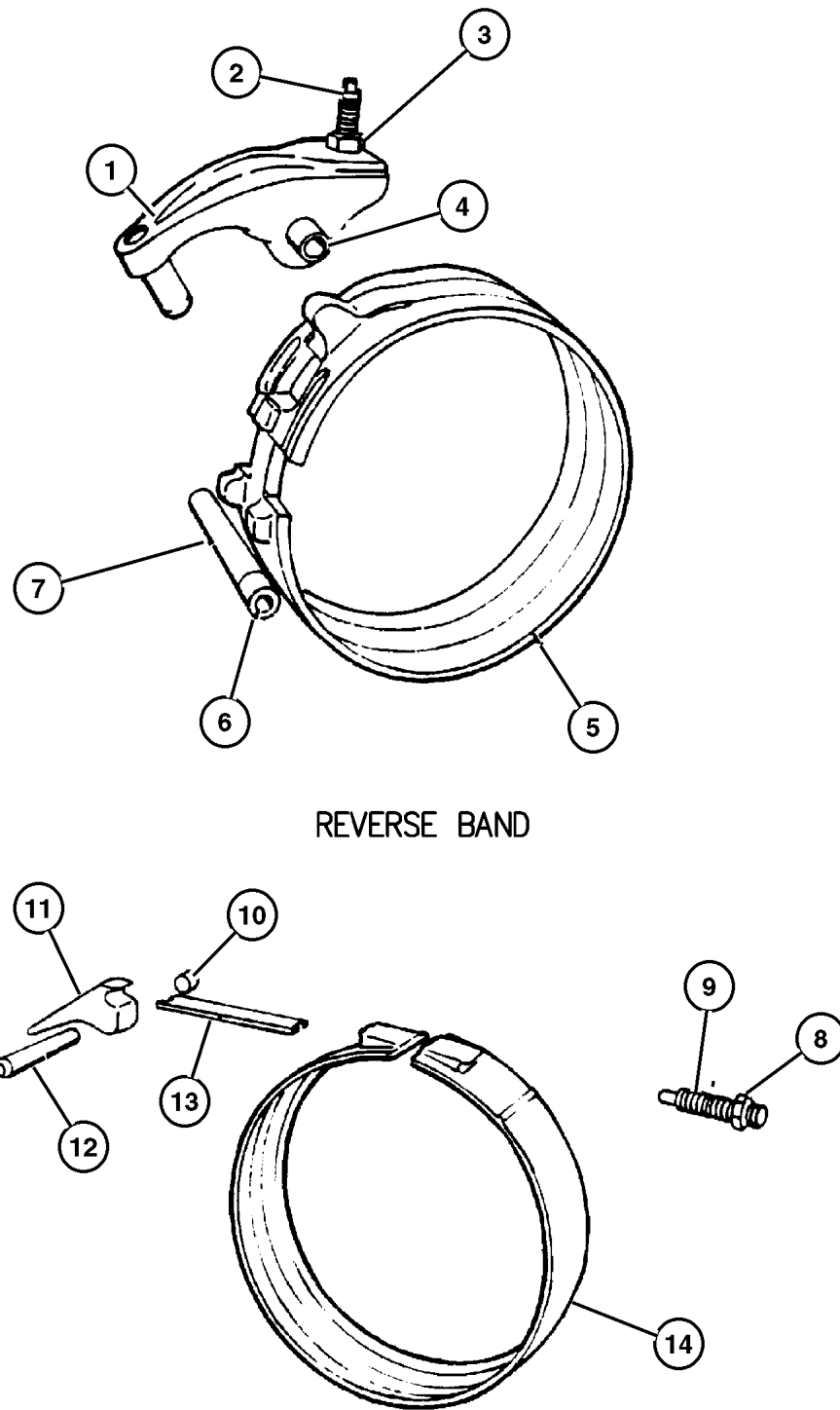
JEEP WRANGLER (TJ)

SERIES	LINE	BODY	ENGINE	TRANSMISSION
L=Low Line	J = Wrangler 4WD U = Wrangler 4WD (RHD)	77 = 93.4 WB	EPE, EP0 = 2.5L Power Tech ERH, ER0 = 4.0L Power Tech	DGG, DGD = 32RH 3 Spd. Auto. DDQ = 5 Spd. Manual DG0 = All Auto. Trans. DBB =All Manual Trans.

AR = Use as required - = Non illustrated part # = New this model year

June 7, 2002

**Bands 32RH (DGG)
Figure 32RH-510**



REVERSE BAND

KICKDOWN BAND

ITEM	PART NUMBER	QTY	LINE	SERIES	ENGINE	TRANS	DESCRIPTION
Note: J=Dana 35 Rear Axle---DRK=Dana 44 Rear Axle							
DGG = 3 Speed Automatic Transmission 32RH J=Dana 35 Rear Axle---DRK=Dana 44 Rear Axle							
DGO = All Automatic Transmissions J=Dana 35 Rear Axle---DRK=Dana 44 Rear Axle							
ERH = 4.0L Power Tech Engine J=Dana 35 Rear Axle---DRK=Dana 44 Rear Axle							
ER0 = All 4.0L 6 Cyl Gas Engines J=Dana 35 Rear Axle---DRK=Dana 44 Rear Axle							
1							LEVER, Reverse Band
	4202 764	1			ER0	DGG	w/Stem, Rev. Band, 1997 TJ
		1			ER0	DGG	1998 TJ
	4202 764AB	1			ER0	DGG	1999 TJ
	4202 765	1			ER0	DGG	1997 TJ
2	2538 472	1			ER0	DGG	SCREW, Trans Reverse Band Adjusting, .375-24-1.88
3							NUT, Hex, .375-24
	0114 942	1			ER0	DGG	Adj. Screw Lock, 3/8-24, 1997 TJ
		1			ER0	DGG	1998 TJ, 1999 TJ
4	3410 102	1			ER0	DGG	SHAFT, Reverse Band
5	4431 406	1			ER0	DGG	BAND, Reverse
6	6030 657	1			ER0	DGG	O RING, Steering Gear
7	3410 102	1			ER0	DGG	SHAFT, Reverse Band
8	0124 934	1			ER0	DGG	NUT, Hex Jam, .50-20
9							SCREW
	1942 477	1			ER0	DGG	Kickdown Band Adj., 1/2-20 x 2-7/8", 1997 TJ
		1			ER0	DGG	1998 TJ
	6036 141AA	1			ER0	DGG	1999 TJ
10							PLUG, (NOT SERVICED)
11	2124 666	1			ER0	DGG	LEVER, Kickdown
12	4531 181	1			ER0	DGG	SHAFT, Band Lever
13	3515 084	1			ER0	DGG	STRUT, Kickdown Band
14	4617 849	1			ER0	DGG	BAND, Kickdown

JEEP WRANGLER (TJ)

SERIES	LINE	BODY	ENGINE	TRANSMISSION
L=Low Line	J = Wrangler 4WD U = Wrangler 4WD (RHD)	77 = 93.4 WB	EPE, EP0 = 2.5L Power Tech ERH, ER0 = 4.0L Power Tech	DGG, DGD = 32RH 3 Spd. Auto. DDQ = 5 Spd. Manual DGO = All Auto. Trans. DBB =All Manual Trans.

AR = Use as required - = Non illustrated part # = New this model year

June 7, 2002

**Governor 32RH (DGG)
Figure 32RH-610**

ITEM	PART NUMBER	QTY	LINE	SERIES	ENGINE	TRANS	DESCRIPTION
------	-------------	-----	------	--------	--------	-------	-------------

Note: J=Dana 35 Rear Axle---DRK=Dana 44 Rear Axle

DGG = 3 Speed Automatic Transmission 32RH J=Dana 35 Rear Axle---DRK=Dana 44 Rear Axle

DGD = 3 Speed Automatic Transmission 30RH J=Dana 35 Rear Axle---DRK=Dana 44 Rear Axle

DG0 = All Automatic Transmissions J=Dana 35 Rear Axle---DRK=Dana 44 Rear Axle

EPE = 2.5L SMPI Magnum 4 Cyl Engine J=Dana 35 Rear Axle---DRK=Dana 44 Rear Axle

EP0 = All 2.5L 4 Cyl Gas Engines J=Dana 35 Rear Axle---DRK=Dana 44 Rear Axle

ERH = 4.0L Power Tech Engine J=Dana 35 Rear Axle---DRK=Dana 44 Rear Axle

ER0 = All 4.0L 6 Cyl Gas Engines J=Dana 35 Rear Axle---DRK=Dana 44 Rear Axle

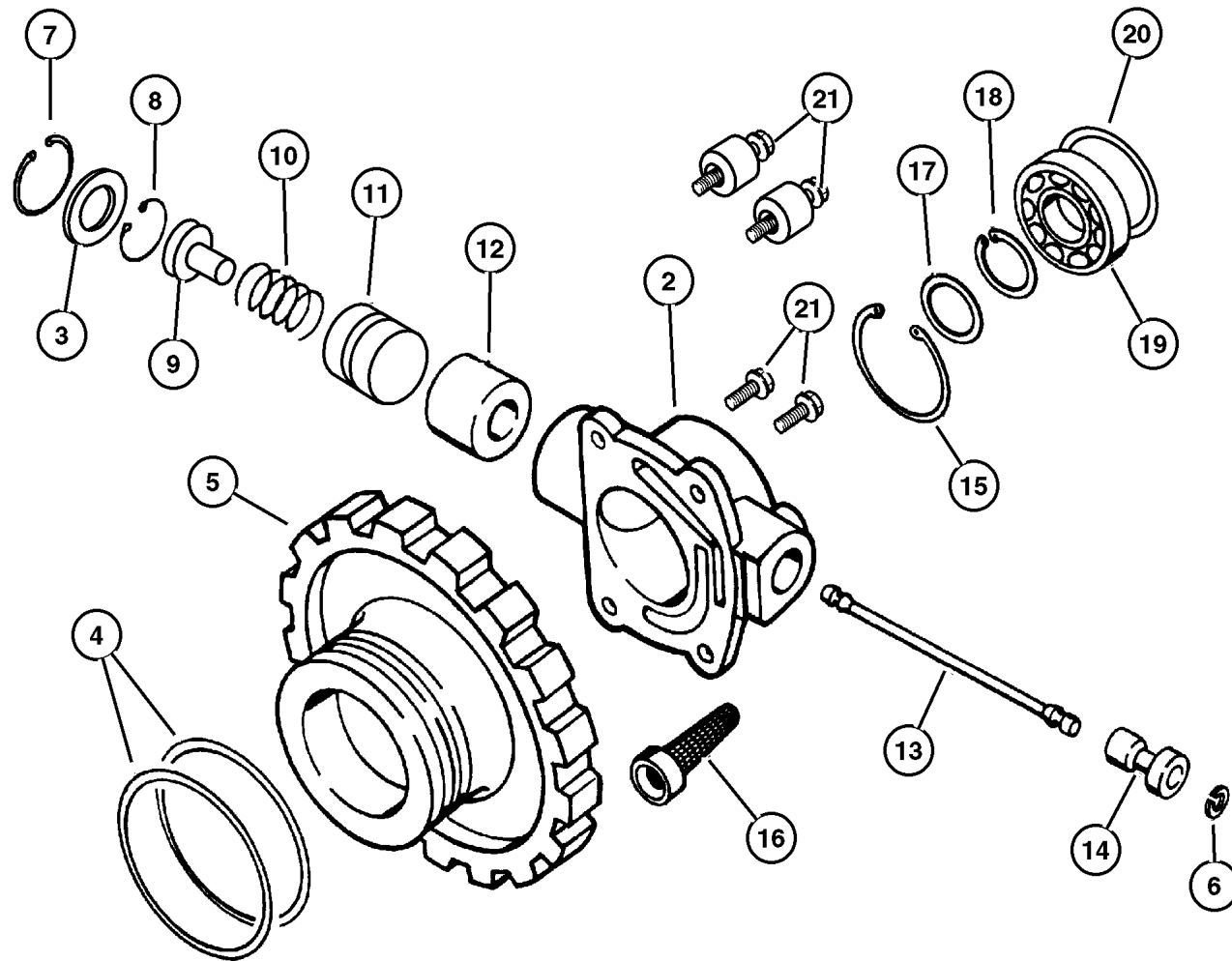
-1							BODY PACKAGE, Governor
	4728 460	1			ER0	DGG	
		1			EP0	DGD	1998 TJ
2							BODY, Governor, (NOT SERVICED)
3							RETAINER, (NOT SERVICED)
4							SEAL, Governor
	1942 109	1			ER0	DGG	
		1			EP0	DGD	1998 TJ
5	3743 518	1			ER0	DGG	SUPPORT, Governor
6							SNAP RING
	1638 461	2			ER0	DGG	Governor Valve Shaft, 1997 TJ
		2			EP0	DGD	1998 TJ
		2			ER0	DGG	1998 TJ, 1999 TJ
7							SNAP RING, Brake Master Cylinder
	6031 392	1			ER0	DGG	Governor Weight, Outer, 1.274" O.D., 1997 TJ
		1			ER0	DGG	1998 TJ, 1999 TJ
8	6034 723	1			ER0	DGG	SNAP RING, Governor, .675 x .025
9							WEIGHT KIT, Transmission Governor
	4617 883	1			ER0	DGG	Package, 1997 TJ
		1			ER0	DGG	1998 TJ, 1999 TJ
10							SPRING, Governor Valve, . . (NOT SERVICED)
11							WEIGHT, Governor, (NOT SERVICED)
12							WEIGHT, Governor, (NOT SERVICED)
13							SHAFT, Governor
	1556 082	1			ER0	DGG	
		1			EP0	DGD	1998 TJ
14	4617 064	1			ER0	DGG	VALVE, Governor
15	6027 271	1			ER0	DGG	SNAP RING, Governor, 1.156
16	3743 519	1			ER0	DGG	FILTER, Transmission Governor
17	4617 799	1			ER0	DGG	SPACER, Output Shaft
18							SNAP RING, 1.150" Free Diameter
	6025 668	1			ER0	DGG	Output Shaft Brg., 1-1/16" I.D., 1997 TJ
		1			ER0	DGG	1998 TJ, 1999 TJ
19	4130 537	1			ER0	DGG	BEARING, Output Shaft
20	6032 739	1			ER0	DGG	O RING, Output Shaft Bearing, Transmission
21							BOLT, Hex Head, .25-20x.68

JEEP WRANGLER (TJ)

SERIES	LINE	BODY	ENGINE	TRANSMISSION
L=Low Line	J = Wrangler 4WD U = Wrangler 4WD (RHD)	77 = 93.4 WB	EPE, EP0 = 2.5L Power Tech ERH, ER0 = 4.0L Power Tech	DGG, DGD = 32RH 3 Spd. Auto. DDQ = 5 Spd. Manual DG0 = All Auto. Trans. DBB =All Manual Trans.

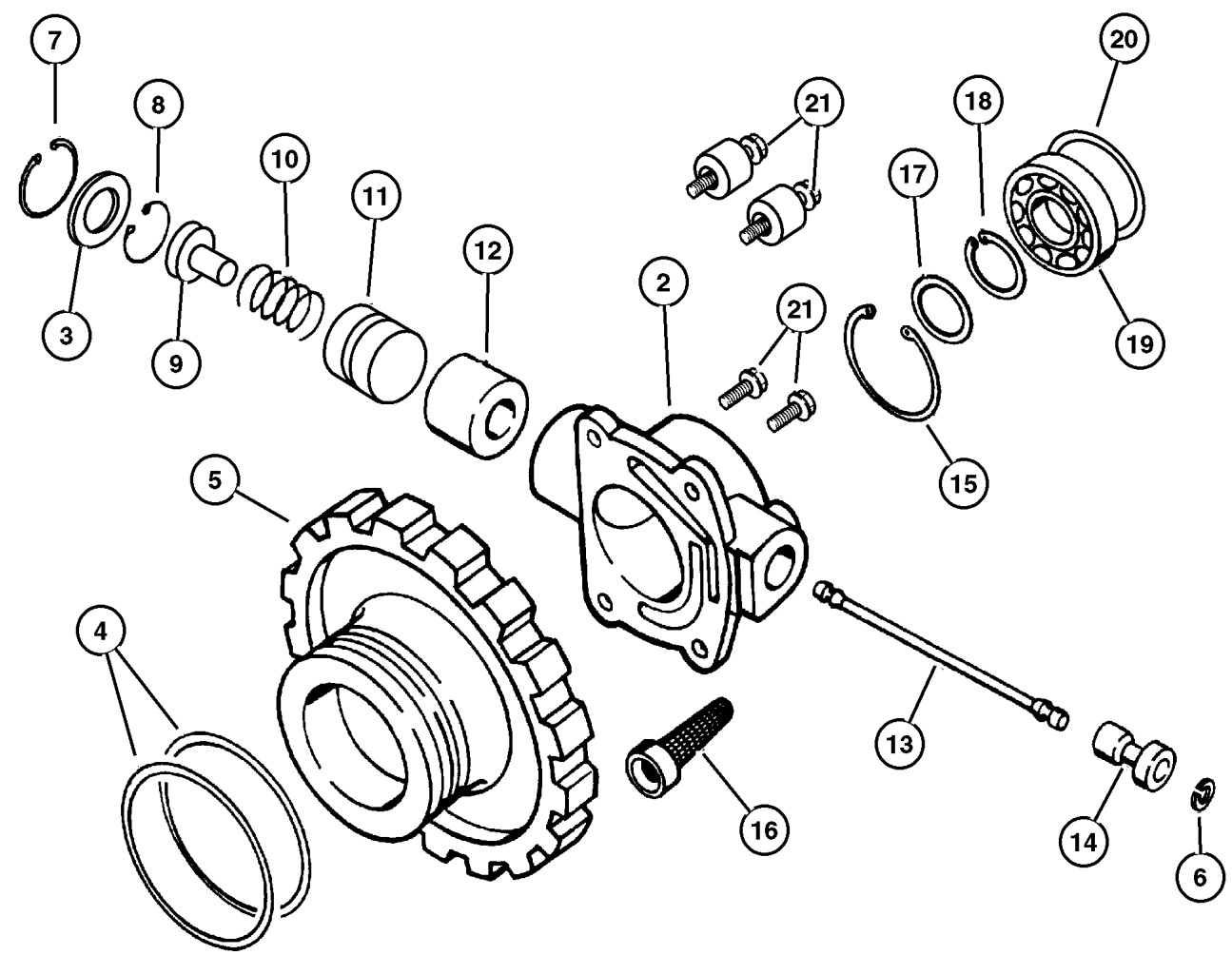
AR = Use as required - = Non illustrated part # = New this model year

June 7, 2002



**Governor 32RH (DGG)
Figure 32RH-610**

ITEM	PART NUMBER	QTY	LINE	SERIES	ENGINE	TRANS	DESCRIPTION
	6031 613	1			ER0	DGG	1997 TJ
		4			ER0	DGG	1998 TJ, 1999 TJ
-22	4883 956AA	1			ER0	DGG	GASKET AND SEAL PACKAGE, Governor



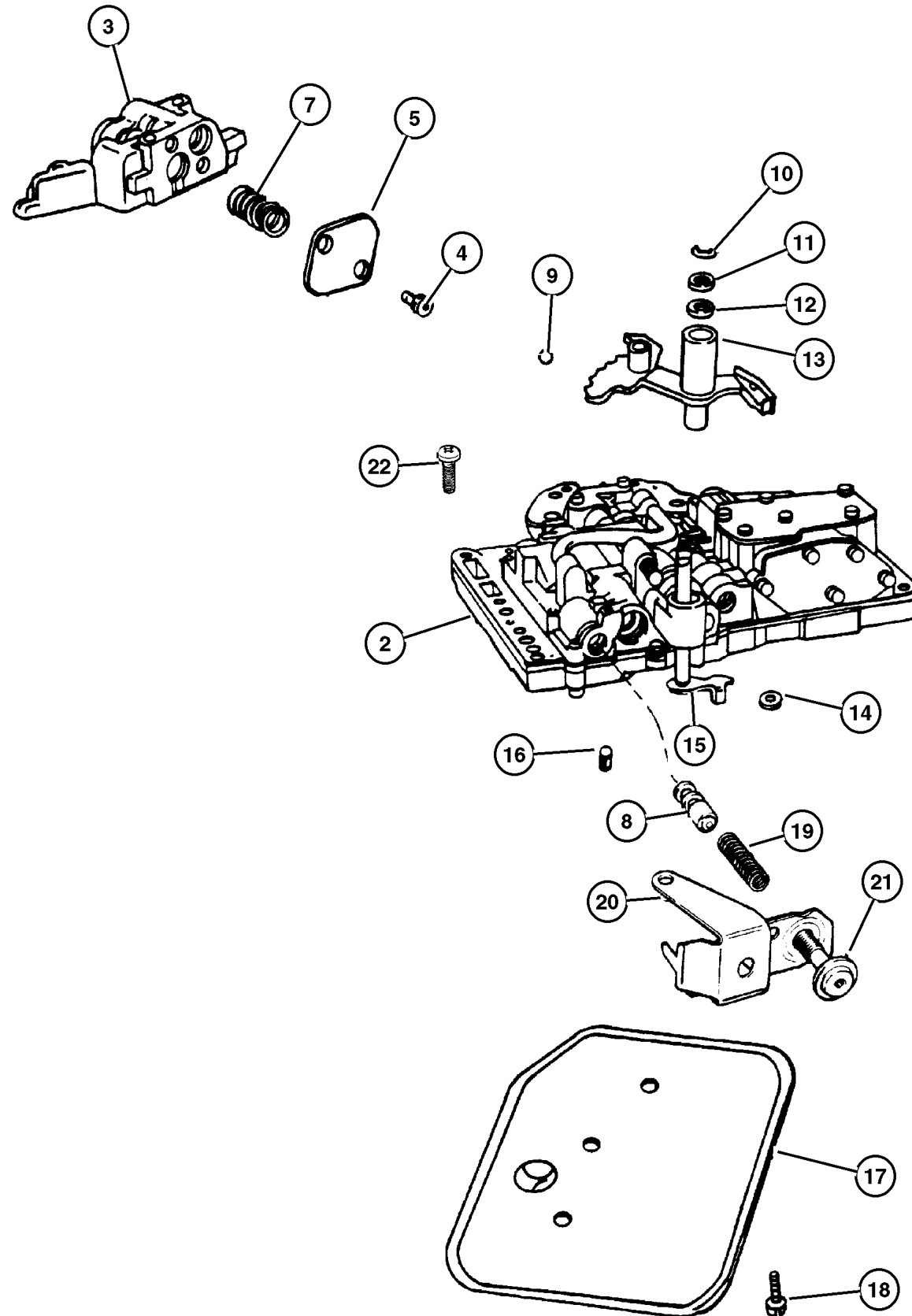
JEEP WRANGLER (TJ)

SERIES	LINE	BODY	ENGINE	TRANSMISSION
L=Low Line	J = Wrangler 4WD U = Wrangler 4WD (RHD)	77 = 93.4 WB	EPE, EP0 = 2.5L Power Tech ERH, ER0 = 4.0L Power Tech	DGG, DGD = 32RH 3 Spd. Auto. DDQ = 5 Spd. Manual DGO = All Auto. Trans. DBB =All Manual Trans.

AR = Use as required - = Non illustrated part # = New this model year

June 7, 2002

Valve Body 32RH (DGG)
Figure 32RH-710



ITEM	PART NUMBER	QTY	LINE	SERIES	ENGINE	TRANS	DESCRIPTION
Note: J=Dana 35 Rear Axle---DRK=Dana 44 Rear Axle							
DGG = 3 Speed Automatic Transmission 32RH J=Dana 35 Rear Axle---DRK=Dana 44 Rear Axle							
DG0 = All Automatic Transmissions J=Dana 35 Rear Axle---DRK=Dana 44 Rear Axle							
EPE = 2.5L SMPI Magnum 4 Cyl Engine J=Dana 35 Rear Axle---DRK=Dana 44 Rear Axle							
EP0 = All 2.5L 4 Cyl Gas Engines J=Dana 35 Rear Axle---DRK=Dana 44 Rear Axle							
ERH = 4.0L Power Tech Engine J=Dana 35 Rear Axle---DRK=Dana 44 Rear Axle							
ER0 = All 4.0L 6 Cyl Gas Engines J=Dana 35 Rear Axle---DRK=Dana 44 Rear Axle							
-1	4713 105	1			ER0	DGG	GASKET AND SEAL PACKAGE, Valve Body
2	5211 8617	1			ER0	DGG	BODY, Transfer Plate
3							VALVE, Valve Body, (NOT SERVICED)
4							SCREW, (NOT SERVICED)
5							PLATE, (NOT SERVICED)
-6							SCREW, (NOT SERVICED)
7							SPRING, Lock Up Valve, (NOT SERVICED)
8	4505 036	1			ER0	DGG	VALVE, Trans Lockup Switch
9	0147 488	1			ER0	DGG	BALL, Manual Lever Detent, .343 Diameter
10							SNAP RING
	6035 208	AR			ER0	DGG	1997 TJ
		2			ER0	DGG	1998 TJ, 1999 TJ
11	2538 062	1			ER0	DGG	WASHER, Manual Valve Lever
12							SEAL, Valve Lever Shift
	2466 548	1			ER0	DGG	,, 1997 TJ
		1			ER0	DGG	1998 TJ, 1999 TJ
13	4617 439	1			ER0	DGG	LEVER, Manual Valve
14	4505 098	1			ER0	DGG	SEAL, Manual Shift Valve, 1.25 OD
15							LEVER, Throttle Valve
	3681 227	1			ER0	DGG	
	52078 723AB	1			EP0, ER0	DG0	1999 TJ
16	3878 313	1			ER0	DGG	SCREEN, Transmission Regulator Valve
17	3515 996	1			ER0	DGG	FILTER, Valve Body
18	6033 826	3			ER0	DGG	SCREW AND WASHER, Oil Filter Mounting, Fillester Head .190-24x2.500
19	4130 492	1			ER0	DGG	SPRING, Switch Valve
20							BRACKET, (NOT SERVICED)
21							SCREW, Cap Head Lock, .312-24x1.25
	6030 609	1			ER0	DGG	Throttle Pressure Adjusting, 1997 TJ
		1			ER0	DGG	1998 TJ, 1999 TJ
22							SCREW, .190-24 x 1" , (NOT SERVICED)

JEEP WRANGLER (TJ)

SERIES	LINE	BODY	ENGINE	TRANSMISSION
L=Low Line	J = Wrangler 4WD U = Wrangler 4WD (RHD)	77 = 93.4 WB	EPE, EP0 = 2.5L Power Tech ERH, ER0 = 4.0L Power Tech	DGG, DGD = 32RH 3 Spd. Auto. DDQ = 5 Spd. Manual DG0 = All Auto. Trans. DBB =All Manual Trans.

AR = Use as required - = Non illustrated part # = New this model year

June 7, 2002

Servos 32RH (DGG)
Figure 32RH-720

ITEM	PART NUMBER	QTY	LINE	SERIES	ENGINE	TRANS	DESCRIPTION
------	-------------	-----	------	--------	--------	-------	-------------

Note: J=Dana 35 Rear Axle---DRK=Dana 44 Rear Axle

DGG = 3 Speed Automatic Transmission 32RH J=Dana 35 Rear Axle---DRK=Dana 44 Rear Axle

DG0 = All Automatic Transmissions J=Dana 35 Rear Axle---DRK=Dana 44 Rear Axle

ERH = 4.0L Power Tech Engine J=Dana 35 Rear Axle---DRK=Dana 44 Rear Axle

ER0 = All 4.0L 6 Cyl Gas Engines J=Dana 35 Rear Axle---DRK=Dana 44 Rear Axle

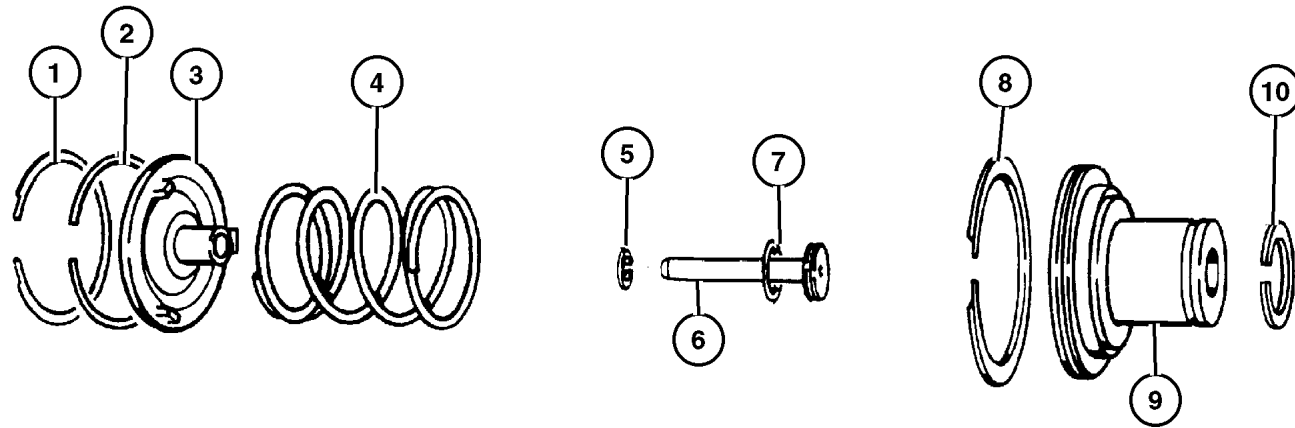
1	6028 863	1			ER0	DGG	SNAP RING, Kickdown, 2.377
2	4295 966	1			ER0	DGG	SEAL, Servo Guide
3	3410 332	1			ER0	DGG	GUIDE, Kickdown Servo
4	4531 119	1			ER0	DGG	SPRING, Kickdown Servo Piston
5	6031 392	1			ER0	DGG	SNAP RING, Brake Master Cylinder
					ER0	DGG	Inner, 1-1/8" I.D., 1997 TJ
					ER0	DGG	1998 TJ, 1999 TJ
6	4058 780	1			ER0	DGG	ROD, Kickdown Servo Piston
7	6028 864	1			ER0	DGG	O RING, Kick Down Servo
					ER0	DGG	Inner, 15/16 x 1-1/8" x 3/32", 1997 TJ
					ER0	DGG	1998 TJ, 1999 TJ
8	4295 966	1			ER0	DGG	SEAL, Servo Guide
					ER0	DGG	K/Down Servo Piston, Large, 1997 TJ
					ER0	DGG	1998 TJ, 1999 TJ
9	4058 777	1			ER0	DGG	PISTON, Kickdown Servo
10	3743 033	1			ER0	DGG	SEAL, Kickdown Servo
					ER0	DGG	Small, 1997 TJ
					ER0	DGG	1998 TJ, 1999 TJ
11	6027 153	1			ER0	DGG	SNAP RING, .435 ID
					ER0	DGG	Reverse Servo Piston Plug,, 1997 TJ
					ER0	DGG	1998 TJ, 1999 TJ
12	2801 271	1			ER0	DGG	PISTON, Reverse Servo
	5211 8744	1			ER0	DGG	1998 TJ
					ER0	DGG	1997 TJ, 1999 TJ
13	4202 864	1			ER0	DGG	SEAL, Reverse Servo Piston
					ER0	DGG	Rubber, 1997 TJ
					ER0	DGG	1998 TJ, 1999 TJ
14	2801 274	1			ER0	DGG	SPRING, Reverse Servo Piston
	4130 824	1			ER0	DGG	1999 TJ
					ER0	DGG	Cushion, 1997 TJ
					ER0	DGG	1998 TJ
15	5211 8740	1			ER0	DGG	PLUG, Reverse Servo Piston
	52118 740AB	1			ER0	DGG	1997 TJ, 1998 TJ
					ER0	DGG	1999 TJ
16	2801 274	1			ER0	DGG	SPRING, Reverse Servo Piston
17	2464 463	1			ER0	DGG	RETAINER, Transmission Rear Clutch
18	2464 464	1			ER0	DGG	SNAP RING
19							SPRING, Accumulator

JEEP WRANGLER (TJ)

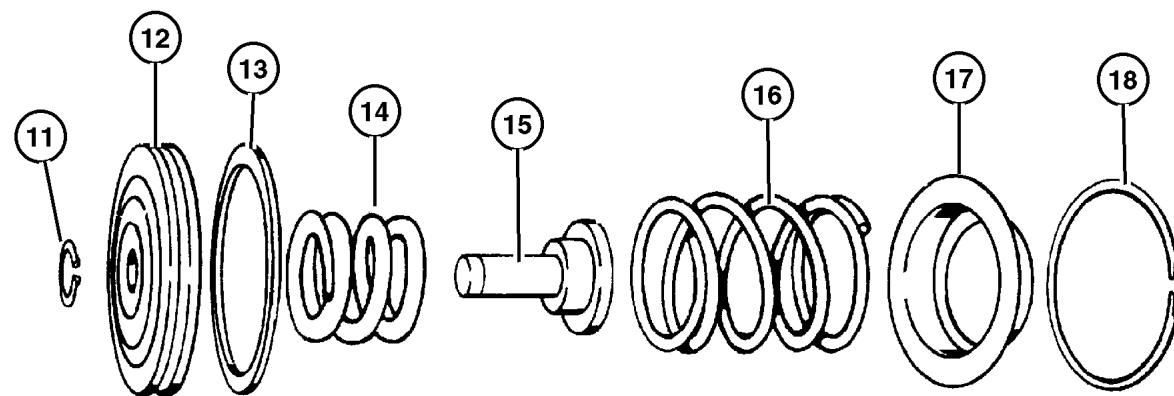
SERIES	LINE	BODY	ENGINE	TRANSMISSION
L=Low Line	J = Wrangler 4WD U = Wrangler 4WD (RHD)	77 = 93.4 WB	EPE, EP0 = 2.5L Power Tech ERH, ER0 = 4.0L Power Tech	DGG, DGD = 32RH 3 Spd. Auto. DDQ = 5 Spd. Manual DG0 = All Auto. Trans. DBB =All Manual Trans.

AR = Use as required - = Non illustrated part # = New this model year

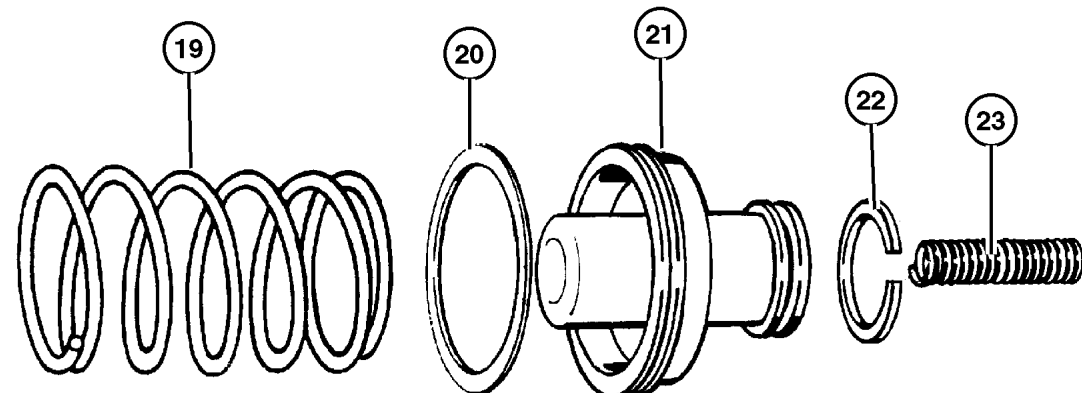
June 7, 2002



KICKDOWN SERVO

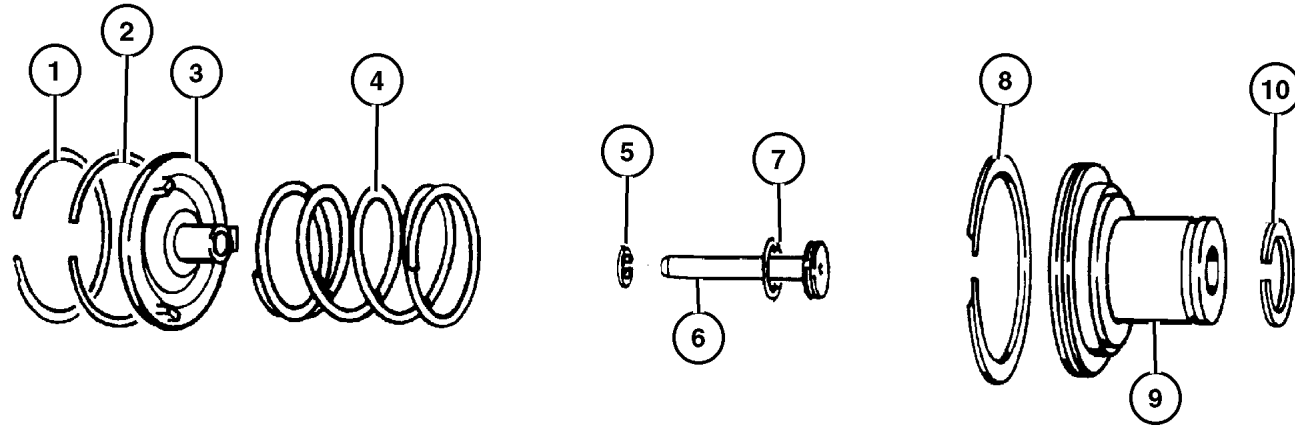


LOW AND REVERSE SERVO

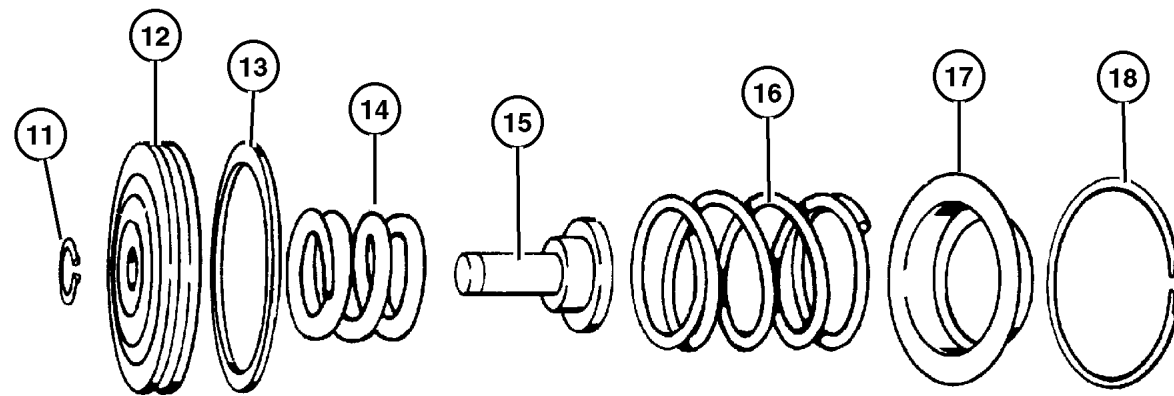


Servos 32RH (DGG)
Figure 32RH-720

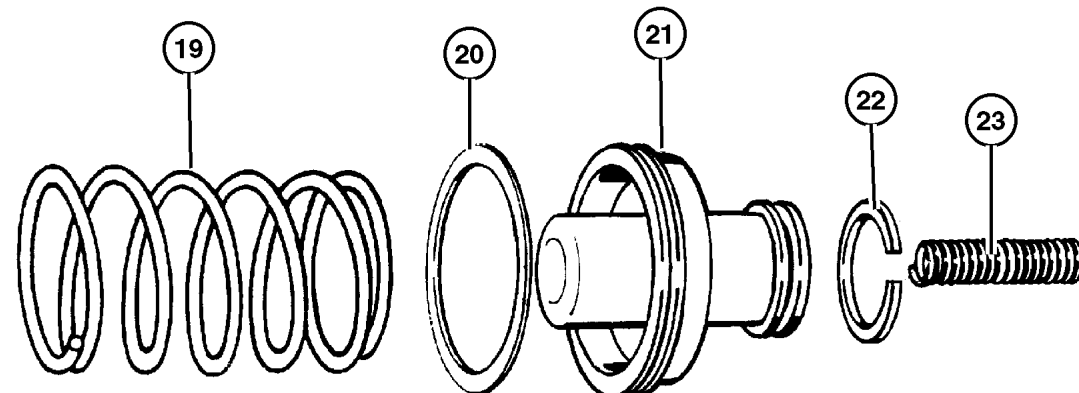
ITEM	PART NUMBER	QTY	LINE	SERIES	ENGINE	TRANS	DESCRIPTION
	3515 079	1			ER0	DGG	Accumulator, 1997 TJ
		1			ER0	DGG	1998 TJ
	3515 114	1			ER0	DGG	1999 TJ
20							SEAL, Piston Accumulator
	3743 013	1			ER0	DGG	Large, 1997 TJ
		1			ER0	DGG	1998 TJ, 1999 TJ
21	3743 650	1			ER0	DGG	PISTON, Accumulator
22							SEAL, Piston Accumulator
	3743 010	1			ER0	DGG	Small, 1997 TJ
		1			ER0	DGG	1998 TJ, 1999 TJ
23							SPRING, Accumulator
	3515 114	1			ER0	DGG	Upper, 1997 TJ
		1			ER0	DGG	1998 TJ, 1999 TJ



KICKDOWN SERVO



LOW AND REVERSE SERVO



JEEP WRANGLER (TJ)

SERIES	LINE	BODY	ENGINE	TRANSMISSION
L=Low Line	J = Wrangler 4WD U = Wrangler 4WD (RHD)	77 = 93.4 WB	EPE, EP0 = 2.5L Power Tech ERH, ER0 = 4.0L Power Tech	DGG, DGD = 32RH 3 Spd. Auto. DDQ = 5 Spd. Manual DGO = All Auto. Trans. DBB =All Manual Trans.

AR = Use as required - = Non illustrated part # = New this model year

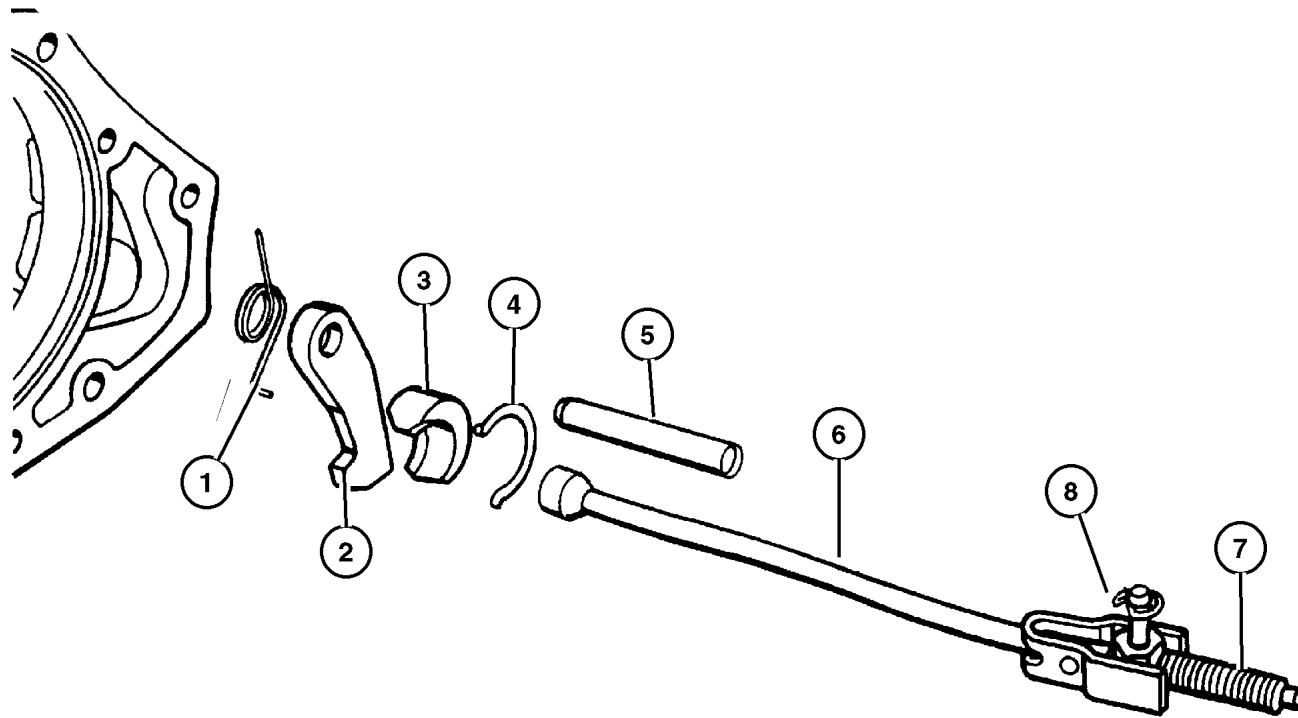
June 7, 2002

**Parking Sprag 32RH (DGG)
Figure 32RH-730**

ITEM	PART NUMBER	QTY	LINE	SERIES	ENGINE	TRANS	DESCRIPTION
------	-------------	-----	------	--------	--------	-------	-------------

Note: J=Dana 35 Rear Axle---DRK=Dana 44 Rear Axle
DGG = 3 Speed Automatic Transmission 32RH J=Dana 35 Rear Axle---DRK=Dana 44 Rear Axle
DG0 = All Automatic Transmissions J=Dana 35 Rear Axle---DRK=Dana 44 Rear Axle
ERH = 4.0L Power Tech Engine J=Dana 35 Rear Axle---DRK=Dana 44 Rear Axle
ER0 = All 4.0L 6 Cyl Gas Engines J=Dana 35 Rear Axle---DRK=Dana 44 Rear Axle

1	2466 909	1			ER0	DGG	SPRING, Parking Sprag
2	4471 415	1			ER0	DGG	SPRAG, Transmission Parking 5/8" Thk., 1997 TJ
		1			ER0	DGG	1998 TJ, 1999 TJ
3	2538 042	1			ER0	DGG	PLUG, Parking Sprag Reaction, 1997 TJ
		1			ER0	DGG	1998 TJ, 1999 TJ
4	2538 034	1			ER0	DGG	SNAP RING, Transmission Reaction, 1997 TJ
		1			ER0	DGG	1998 TJ, 1999 TJ
5	2466 892	1			ER0	DGG	SHAFT, Parking Sprag
6	2466 906	1			ER0	DGG	ROD, Parking Sprag
7							SPRING, (NOT SERVICED)
8	6035 256	1			ER0	DGG	SNAP RING, Rod



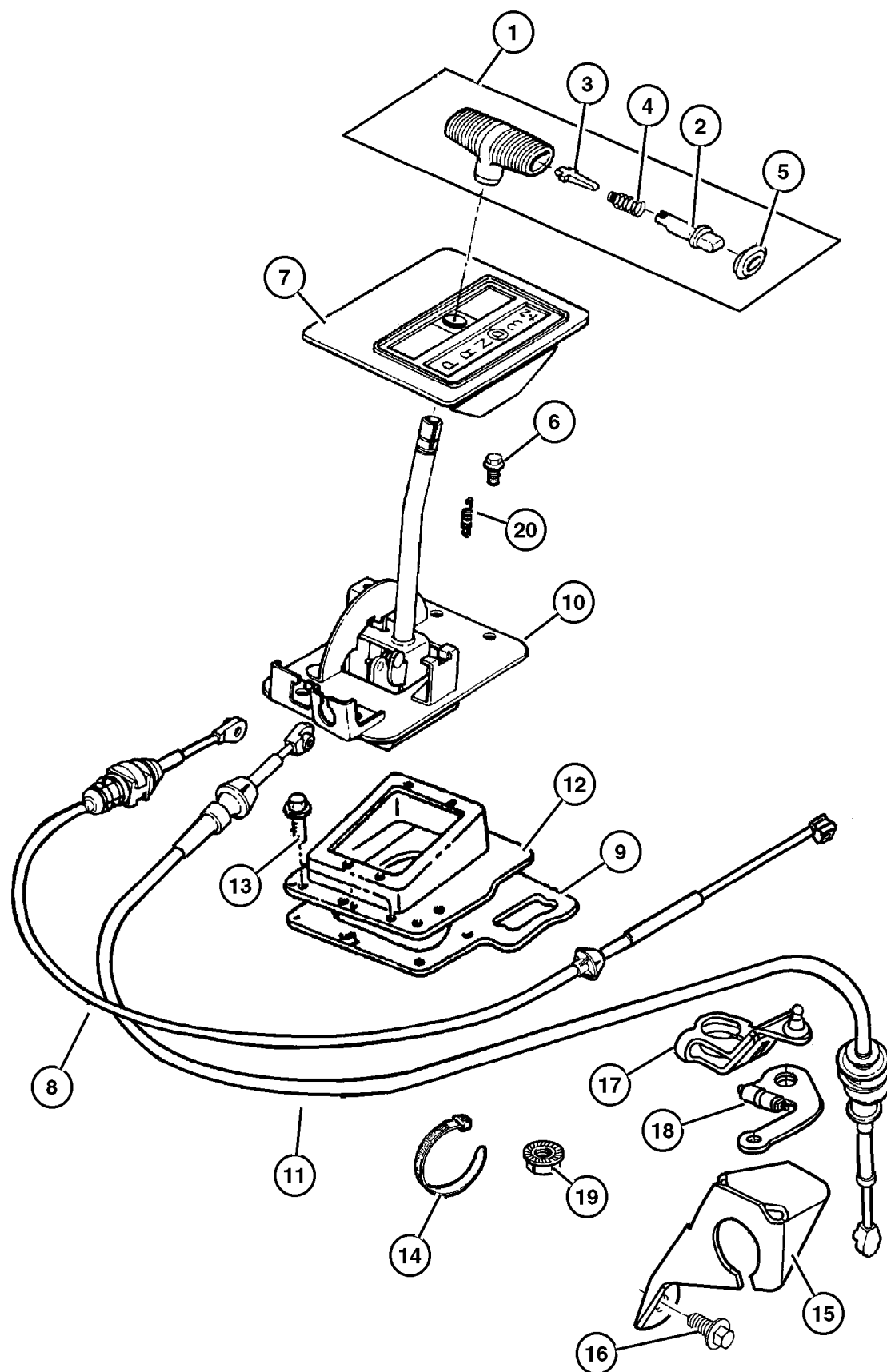
JEEP WRANGLER (TJ)

SERIES	LINE	BODY	ENGINE	TRANSMISSION
L=Low Line	J = Wrangler 4WD U = Wrangler 4WD (RHD)	77 = 93.4 WB	EPE, EP0 = 2.5L Power Tech ERH, ER0 = 4.0L Power Tech	DGG, DGD = 32RH 3 Spd. Auto. DDQ = 5 Spd. Manual DG0 = All Auto. Trans. DBB =All Manual Trans.

AR = Use as required - = Non illustrated part # = New this model year

June 7, 2002

Gearshift Controls 32RH (DGG) Figure 32RH-1230



Note: J=Dana 35 Rear Axle---DRK=Dana 44 Rear Axle

DGG = 3 Speed Automatic Transmission 32RH J=Dana 35 Rear Axle---DRK=Dana 44 Rear Axle

DG0 = All Automatic Transmissions J=Dana 35 Rear Axle---DRK=Dana 44 Rear Axle

EPE = 2.5L SMPI Magnum 4 Cyl Engine J=Dana 35 Rear Axle---DRK=Dana 44 Rear Axle

EP0 = All 2.5L 4 Cyl Gas Engines J=Dana 35 Rear Axle---DRK=Dana 44 Rear Axle

ERH = 4.0L Power Tech Engine J=Dana 35 Rear Axle---DRK=Dana 44 Rear Axle

ER0 = All 4.0L 6 Cyl Gas Engines J=Dana 35 Rear Axle---DRK=Dana 44 Rear Axle

ITEM	PART NUMBER	QTY	LINE	SERIES	ENGINE	TRANS	DESCRIPTION
1	5210 4028	1				DG0	HANDLE, Gearshift
2	5300 0211	1				DG0	BUTTON, Gearshift Knob
3	5300 0865	1				DG0	LEVER, Gearshift
4	5300 0866	1				DG0	SPRING, Button Return
5	5207 7561	1				DG0	CAP, Gearshift Handle Button
6							SCREW, Hex Flange Head, M8x1.25x25.00
	6501 648	4				DG0	1999 TJ
	1150 4284	4	J			DG0	1997 TJ
		4	U			DG0	RHD, 1997 TJ
		4				DG0	1998 TJ
7							BEZEL AND DIAL, Gearshift Lever
	5511 5570	1	J			DG0	1997 TJ, 1998 TJ
	55115 570AB	1	J			DG0	1999 TJ
	5511 5571	1	U			DG0	RHD, 1997 TJ, 1998 TJ
	55115 571AB	1	U			DG0	1999 TJ
8							CABLE, Park Interlock
	5210 4144	1	J			DG0	1997 TJ
		1	U			DG0	RHD, 1997 TJ
		1				DG0	1998 TJ, 1999 TJ
9							SEAL, (NOT SERVICED)
10							HOUSING, Shift Lever
	5207 8551	1	J			DG0	1997 TJ, 1998 TJ
	52078 551AB	1	J			DG0	1999 TJ
	5207 8841	1	U			DG0	RHD, 1997 TJ, 1998 TJ
	52078 841AB	1	U			DG0	1999 TJ
11							CABLE, Shift
	5210 4142	1	J			DG0	1997 TJ
		1	U			DG0	RHD, 1997 TJ
		1				DG0	1998 TJ, 1999 TJ
12							COVER, Gearshift
	5300 0704	1	U			DG0	RHD, 1997 TJ
		1	J			DG0	1997 TJ, 1998 TJ
		1	U			DG0	1998 TJ
		1				DG0	1999 TJ
13	J400 1701	11				DG0	SCREW, Hex Self Tapping, .19-16x.50
14	4641 780	1					STRAP, Tie

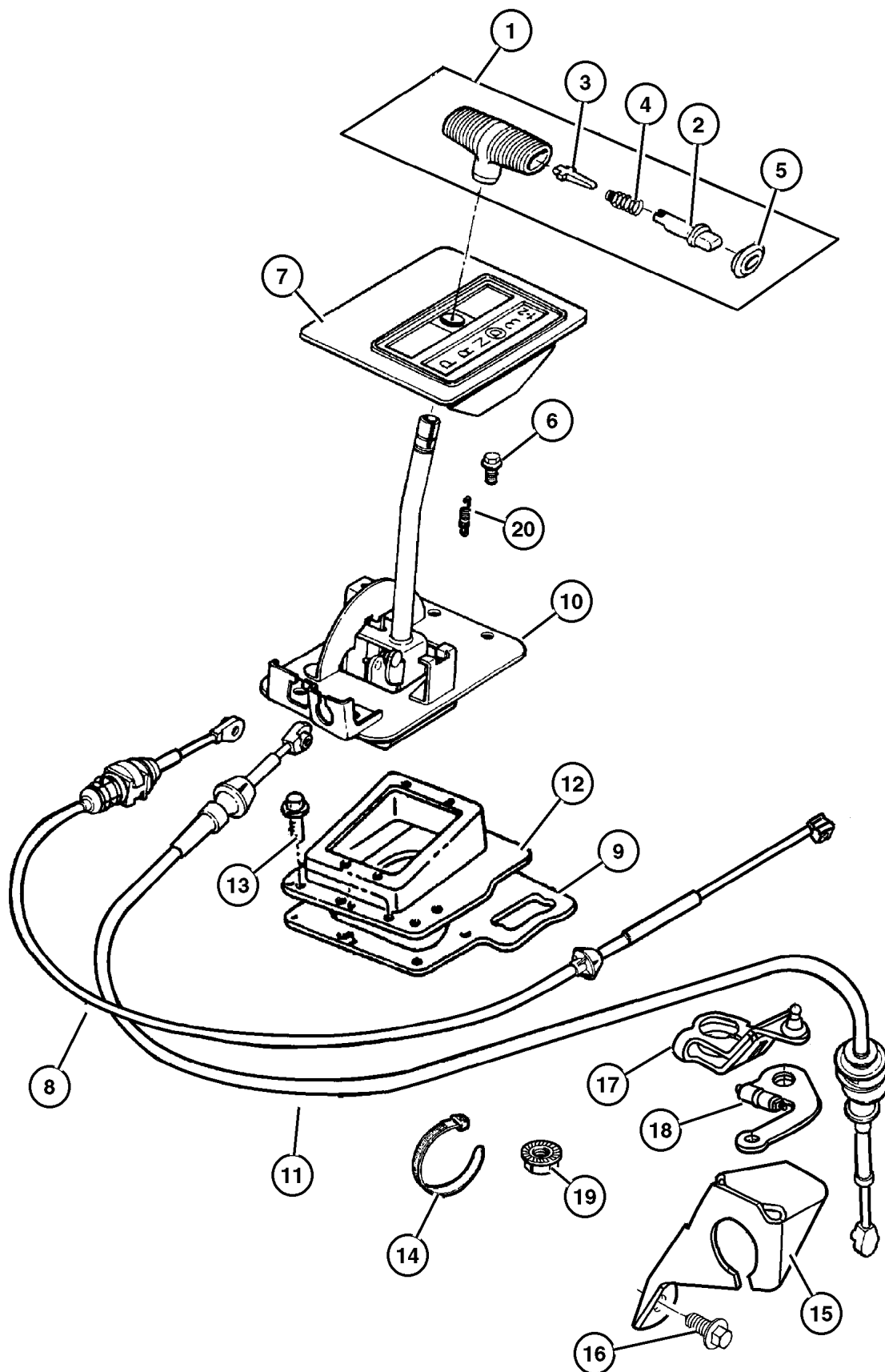
JEEP WRANGLER (TJ)

SERIES	LINE	BODY	ENGINE	TRANSMISSION
L=Low Line	J = Wrangler 4WD U = Wrangler 4WD (RHD)	77 = 93.4 WB	EPE, EP0 = 2.5L Power Tech ERH, ER0 = 4.0L Power Tech	DGG, DGD = 32RH 3 Spd. Auto. DDQ = 5 Spd. Manual DG0 = All Auto. Trans. DBB =All Manual Trans.

AR = Use as required - = Non illustrated part # = New this model year

June 7, 2002

**Gearshift Controls 32RH (DGG)
Figure 32RH-1230**



ITEM	PART NUMBER	QTY	LINE	SERIES	ENGINE	TRANS	DESCRIPTION
15	5207 8255	1				DG0	BRACKET, Shift Cable
16							BOLT, (NOT SERVICED)
17	5207 9168	1			EP0, ER0	DG0	LEVER, Manual Control 1997 TJ
	52079 168AB	1			EP0, ER0	DG0	1998 TJ, 1999 TJ
18	3681 227	1			ER0	DGG	LEVER, Throttle Valve 1998 TJ
	5207 8723	1			EP0, ER0	DG0	1997 TJ
	52078 723AB	1			EP0, ER0	DG0	1999 TJ
19	0152 476	1					NUT, Hex, .437-14 1997 TJ, 1998 TJ
	6028 114	1				DG0	1999 TJ
20	5300 3350	1	J			DG0	SPRING, Pawl Return
		1	U			DG0	RHD, 1997 TJ
		1	U			DG0	1998 TJ, 1999 TJ

JEEP WRANGLER (TJ)

SERIES	LINE	BODY	ENGINE	TRANSMISSION
L=Low Line	J = Wrangler 4WD U = Wrangler 4WD (RHD)	77 = 93.4 WB	EPE, EP0 = 2.5L Power Tech ERH, ER0 = 4.0L Power Tech	DGG, DGD = 32RH 3 Spd. Auto. DDQ = 5 Spd. Manual DG0 = All Auto. Trans. DBB =All Manual Trans.

AR = Use as required - = Non illustrated part # = New this model year

June 7, 2002

Group – AISIN

Manual Transmission 5 Speed

GROUP AISIN - Manual Transmission 5 Speed

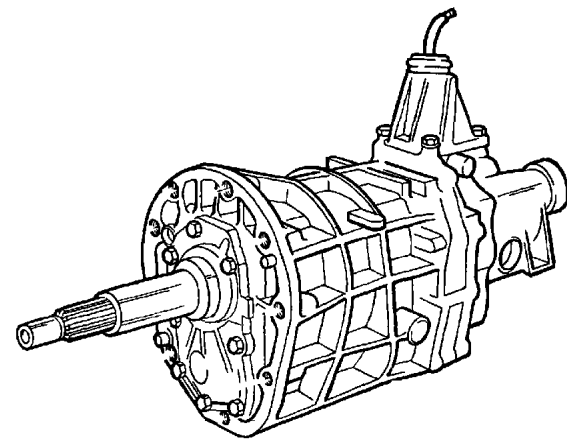


Illustration Title

Group-Fig. No.

Transmission Assembly

Transmission (DDQ) 1997 TJ	Fig. AISIN-110
Transmission (DDQ) 1998 TJ	Fig. AISIN-110
Transmission (DDQ) 1999 TJ	Fig. AISIN-110

Case and Extension

Case and Extension AX5 (DDQ) 1997 TJ	Fig. AISIN-210
Case and Extension AX5 (DDQ) 1998 TJ 1999 TJ	Fig. AISIN-210
Case and Related Parts AX15 (DDQ) 1997 TJ	Fig. AISIN-215
Case and Related Parts AX15 (DDQ) 1998 TJ 1999 TJ	Fig. AISIN-215

Gear Train

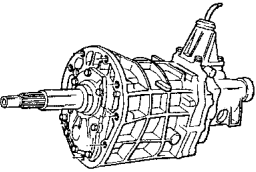
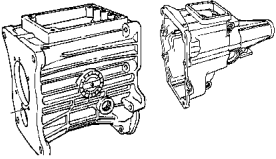
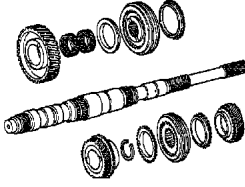
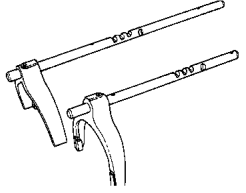
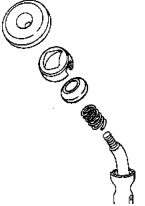
Gear Train AX5 (DDQ) 1997 TJ	Fig. AISIN-410
Gear Train AX5 (DDQ) 1998 TJ	Fig. AISIN-410
Gear Train AX5 (DDQ) 1999 TJ	Fig. AISIN-410
Gear Train AX15 (DDQ) 1997 TJ	Fig. AISIN-415
Gear Train AX15 (DDQ) 1998 TJ	Fig. AISIN-415
Gear Train AX15 (DDQ) 1999 TJ	Fig. AISIN-415
Gear Train AX15 (DDQ) 1997 TJ 1998 TJ	Fig. AISIN-420
Reverse Idler AX 15 (DDQ) 1999 TJ	Fig. AISIN-420

Forks and Rails

Fork and Rails AX5 (DDQ) 1997 TJ	Fig. AISIN-910
Fork and Rails AX5 (DDQ) 1998 TJ	Fig. AISIN-910
Forks AX5 (DDQ) 1999 TJ	Fig. AISIN-910
Fork and Rails AX15 (DDQ) 1997 TJ	Fig. AISIN-915
Fork and Rails AX15 (DDQ) 1998 TJ	Fig. AISIN-915
Forks AX15 (DDQ) 1999 TJ	Fig. AISIN-915

Gearshift Controls

Gearshift Controls (DDQ) 1997 TJ 1998 TJ	Fig. AISIN-1210
Gearshift Controls (DDQ) 1999 TJ	Fig. AISIN-1210

<p>AISIN-100 Transmission Assembly</p> 	<p>AISIN-200 Case and Extension</p> 	<p>AISIN-400 Gear Train</p> 	<p>AISIN-900 Forks and Rails</p> 
<p>AISIN-1200 Gearshift Controls</p> 			

Transmission (DDQ) 1997 TJ
Figure AISIN-110

ITEM	PART NUMBER	QTY	LINE	SERIES	ENGINE	TRANS	DESCRIPTION
------	-------------	-----	------	--------	--------	-------	-------------

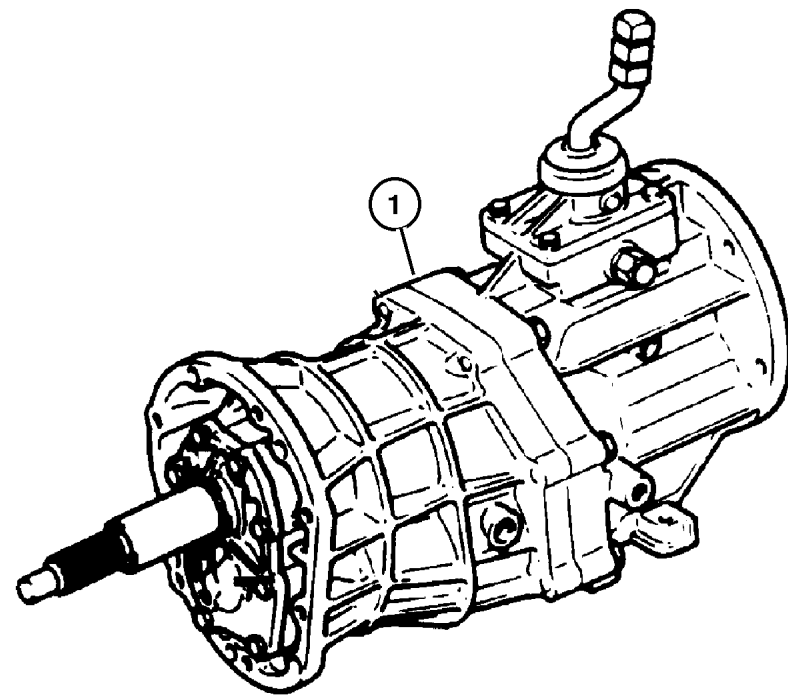
Note: J=Dana 35 Rear Axle---DRK=Dana 44 Rear Axle

EPO = All 2.5L 4 Cyl Gas Engines J=Dana 35 Rear Axle---DRK=Dana 44 Rear Axle

ER0 = All 4.0L 6 Cyl Gas Engines J=Dana 35 Rear Axle---DRK=Dana 44 Rear Axle

DDQ = Manual Transmission 5 Speed J=Dana 35 Rear Axle---DRK=Dana 44 Rear Axle

1							TRANSMISSION, 5 Speed
	5210 8117	1			EPO	DDQ	
	5210 8118	1			ER0	DDQ	



JEEP WRANGLER (TJ)

SERIES	LINE	BODY	ENGINE	TRANSMISSION
L=Low Line	J = Wrangler 4WD U = Wrangler 4WD (RHD)	77 = 93.4 WB	EPE, EP0 = 2.5L Power Tech ERH, ER0 = 4.0L Power Tech	DGG, DGD = 32RH 3 Spd. Auto. DDQ = 5 Spd. Manual DG0 = All Auto. Trans. DBB =All Manual Trans.

AR = Use as required - = Non illustrated part # = New this model year

June 7, 2002

Transmission (DDQ) 1998 TJ
Figure AISIN-110

ITEM	PART NUMBER	QTY	LINE	SERIES	ENGINE	TRANS	DESCRIPTION
------	-------------	-----	------	--------	--------	-------	-------------

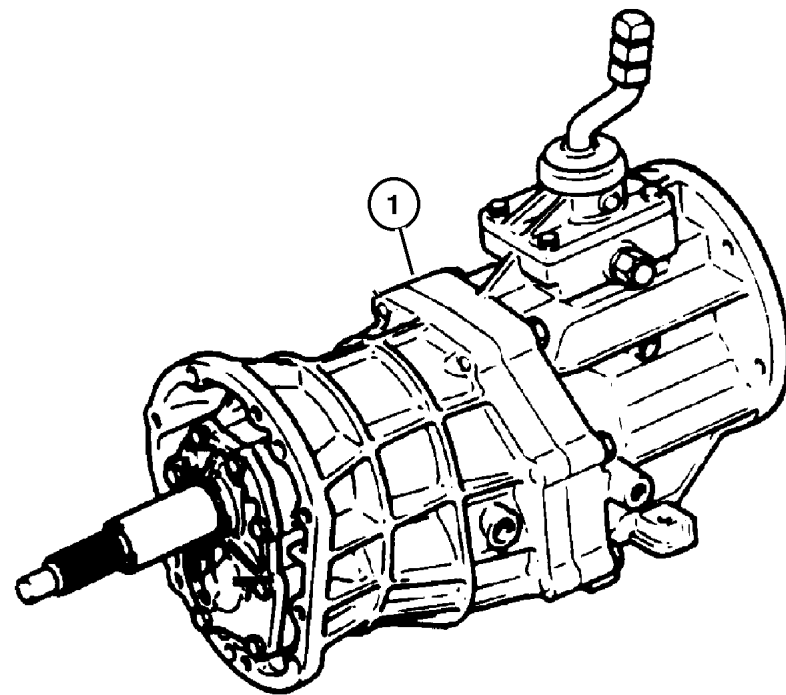
Note: J=Dana 35 Rear Axle---DRK=Dana 44 Rear Axle

EPO = All 2.5L 4 Cyl Gas Engines J=Dana 35 Rear Axle---DRK=Dana 44 Rear Axle

ER0 = All 4.0L 6 Cyl Gas Engines J=Dana 35 Rear Axle---DRK=Dana 44 Rear Axle

DDQ = Manual Transmission 5 Speed J=Dana 35 Rear Axle---DRK=Dana 44 Rear Axle

1							TRANSMISSION, 5 Speed
	5210 4548	1			EPO	DDQ	
	52108 118AB	1			ER0	DDQ	



JEEP WRANGLER (TJ)

SERIES	LINE	BODY	ENGINE	TRANSMISSION
L=Low Line	J = Wrangler 4WD U = Wrangler 4WD (RHD)	77 = 93.4 WB	EPE, EP0 = 2.5L Power Tech ERH, ER0 = 4.0L Power Tech	DGG, DGD = 32RH 3 Spd. Auto. DDQ = 5 Spd. Manual DG0 = All Auto. Trans. DBB =All Manual Trans.

AR = Use as required - = Non illustrated part # = New this model year

June 7, 2002

Transmission (DDQ) 1999 TJ
Figure AISIN-110

ITEM	PART NUMBER	QTY	LINE	SERIES	ENGINE	TRANS	DESCRIPTION
------	-------------	-----	------	--------	--------	-------	-------------

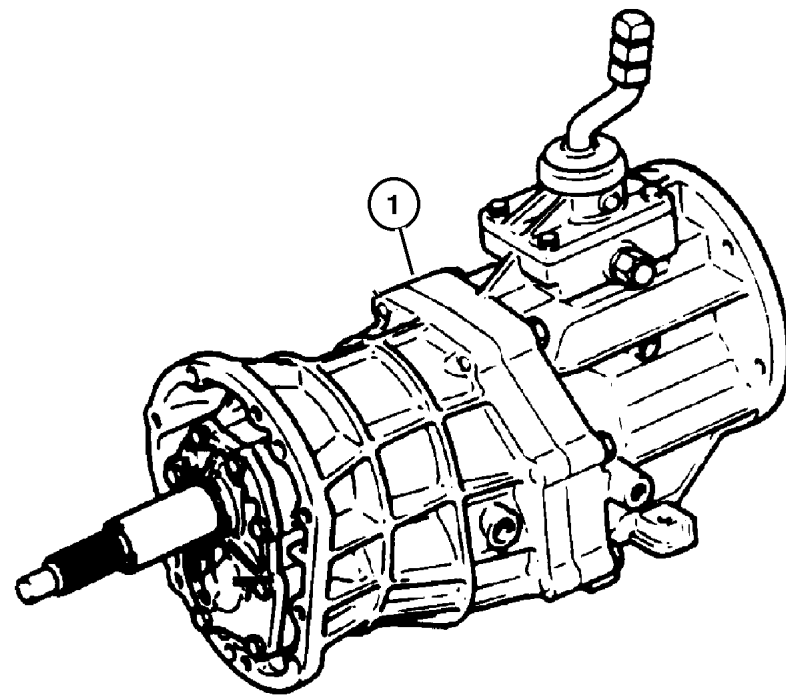
Note: J=Dana 35 Rear Axle---DRK=Dana 44 Rear Axle

EPO = All 2.5L 4 Cyl Gas Engines J=Dana 35 Rear Axle---DRK=Dana 44 Rear Axle

ER0 = All 4.0L 6 Cyl Gas Engines J=Dana 35 Rear Axle---DRK=Dana 44 Rear Axle

DDQ = Manual Transmission 5 Speed J=Dana 35 Rear Axle---DRK=Dana 44 Rear Axle

1							TRANSMISSION, 5 Speed
	5210 4548	1			EPO	DDQ	
	52108 118AB	1			ER0	DDQ	



JEEP WRANGLER (TJ)

SERIES	LINE	BODY	ENGINE	TRANSMISSION
L=Low Line	J = Wrangler 4WD U = Wrangler 4WD (RHD)	77 = 93.4 WB	EPE, EP0 = 2.5L Power Tech ERH, ER0 = 4.0L Power Tech	DGG, DGD = 32RH 3 Spd. Auto. DDQ = 5 Spd. Manual DG0 = All Auto. Trans. DBB =All Manual Trans.

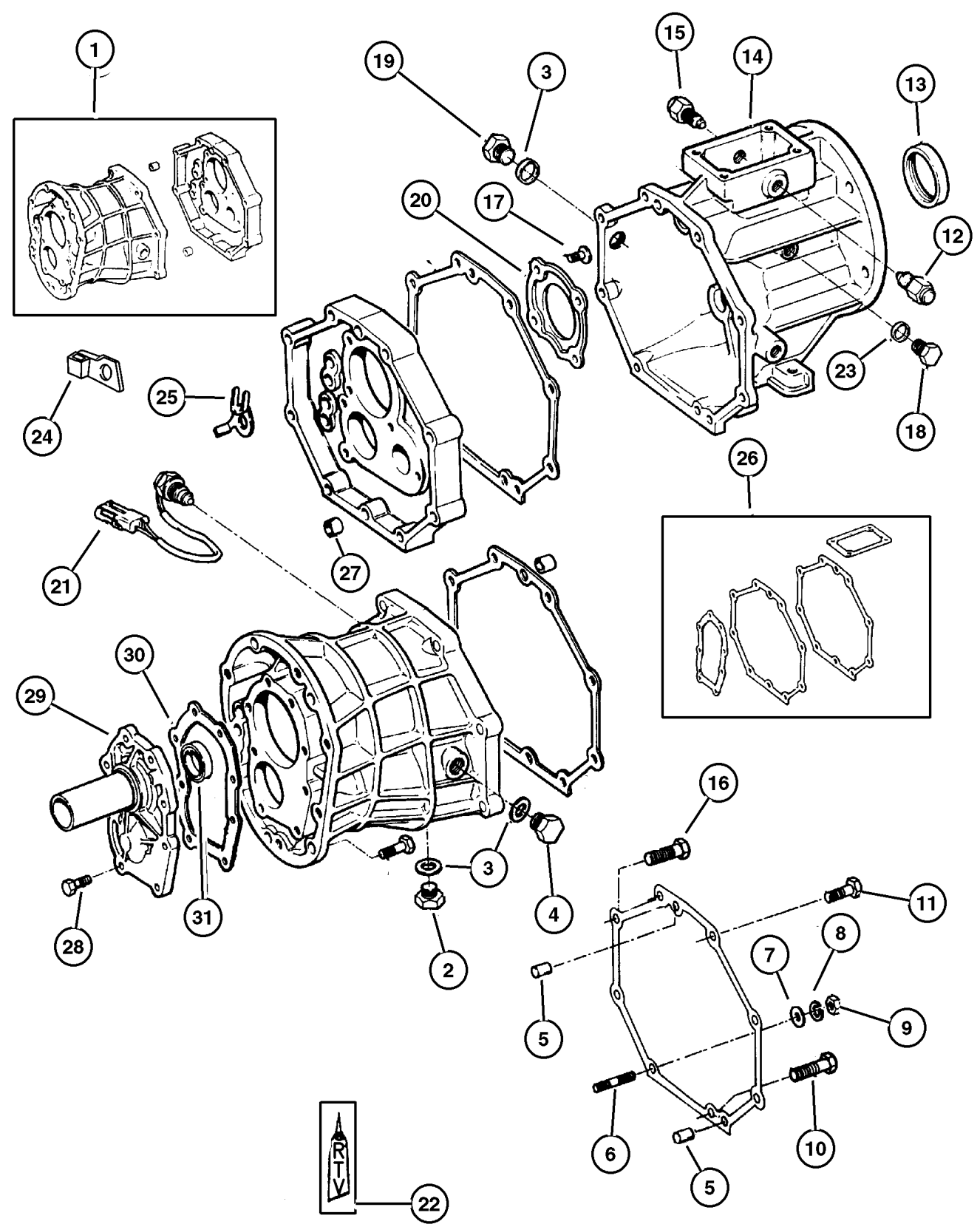
AR = Use as required - = Non illustrated part # = New this model year

June 7, 2002

Case and Extension AX5 (DDQ) 1997 TJ
Figure AISIN-210

ITEM	PART NUMBER	QTY	LINE	SERIES	ENGINE	TRANS	DESCRIPTION
Note: J=Dana 35 Rear Axle---DRK=Dana 44 Rear Axle							
DDQ = 5 Speed Manual Transmission J=Dana 35 Rear Axle---DRK=Dana 44 Rear Axle							
EPE = 2.5L SMPI MAGNUM 4 Cyl Engine J=Dana 35 Rear Axle---DRK=Dana 44 Rear Axle							
EPO = All 2.5L 4 Cyl Gas Engines J=Dana 35 Rear Axle---DRK=Dana 44 Rear Axle							
1	8350 6016	1			EPO	DDQ	CASE, Transmission
2	4543 303	1			EPO	DDQ	PLUG, Differential Drain
3	8350 0513	3			EPO	DDQ	GASKET, Drain Plug
4	8350 0623	1			EPO	DDQ	PLUG, Oil Fill
5	8350 0504	4			EPO		PIN, Locating
6	8350 0618	1			EPO	DDQ	STUD, Double Ended, M10x1.25x98
7	8350 0627	1			EPO	DDQ	WASHER, Flat
8	8350 0626	1			EPO	DDQ	WASHER, Lock
9	8350 0625	1			EPO	DDQ	NUT, Transmission Case
10	8350 3547	1			EPO	DDQ	BOLT
11	8350 3549	5			EPO	DDQ	BOLT
12	8350 0516	1			EPO	DDQ	PIN, Reverse Restrict
13	8350 3108	1			EPO	DDQ	SEAL, Adapter
14	4897 133AA	1			EPO	DDQ	ADAPTER, Transfer Case
15	8350 0515	1			EPO	DDQ	PIN, Reverse
16	8350 3548	1			EPO	DDQ	BOLT
17	8350 0511	4			EPO	DDQ	SCREW, Manual Transmission
18	8350 3109	1			EPO	DDQ	CAP, Detent, Sensor
19	8350 0623	1			EPO	DDQ	PLUG, Oil Fill
20	8350 6034	1			EPO	DDQ	RETAINER, Bearing
21	8350 0629	1			EPO	DDQ	SWITCH, Back Up Lamp
22	5010 884AA	1			EPO	DDQ	SEALANT, RTV
23	8350 0540	1			EPO	DDQ	PIN, Shift Shaft, Slotted
24	8350 3551	1			EPO	DDQ	CLAMP, Transmission
25	8350 3551	1			EPO	DDQ	CLAMP, Transmission
26	8350 0632	1			EPO	DDQ	GASKET, Transmission
27	8350 0539	2			EPO	DDQ	PIN, Locating
28	3420 1818	8			EPO	DDQ	SCREW, Hex Head, M8x1.25x25
29	4746 025	1			EPO	DDQ	RETAINER, Bearing
30	8350 0505	1			EPO	DDQ	GASKET, Input Gear Retainer
31	8350 6045	1			EPO	DDQ	SEAL, Main Shaft

JEEP WRANGLER (TJ)				
SERIES	LINE	BODY	ENGINE	TRANSMISSION
L=Low Line	J = Wrangler 4WD U = Wrangler 4WD (RHD)	77 = 93.4 WB	EPE, EPO = 2.5L Power Tech ERH, ER0 = 4.0L Power Tech	DGG, DGD = 32RH 3 Spd. Auto. DDQ = 5 Spd. Manual DGO = All Auto. Trans. DBB =All Manual Trans.



Case and Extension AX5 (DDQ) 1998 TJ 1999 TJ
Figure AISIN-210

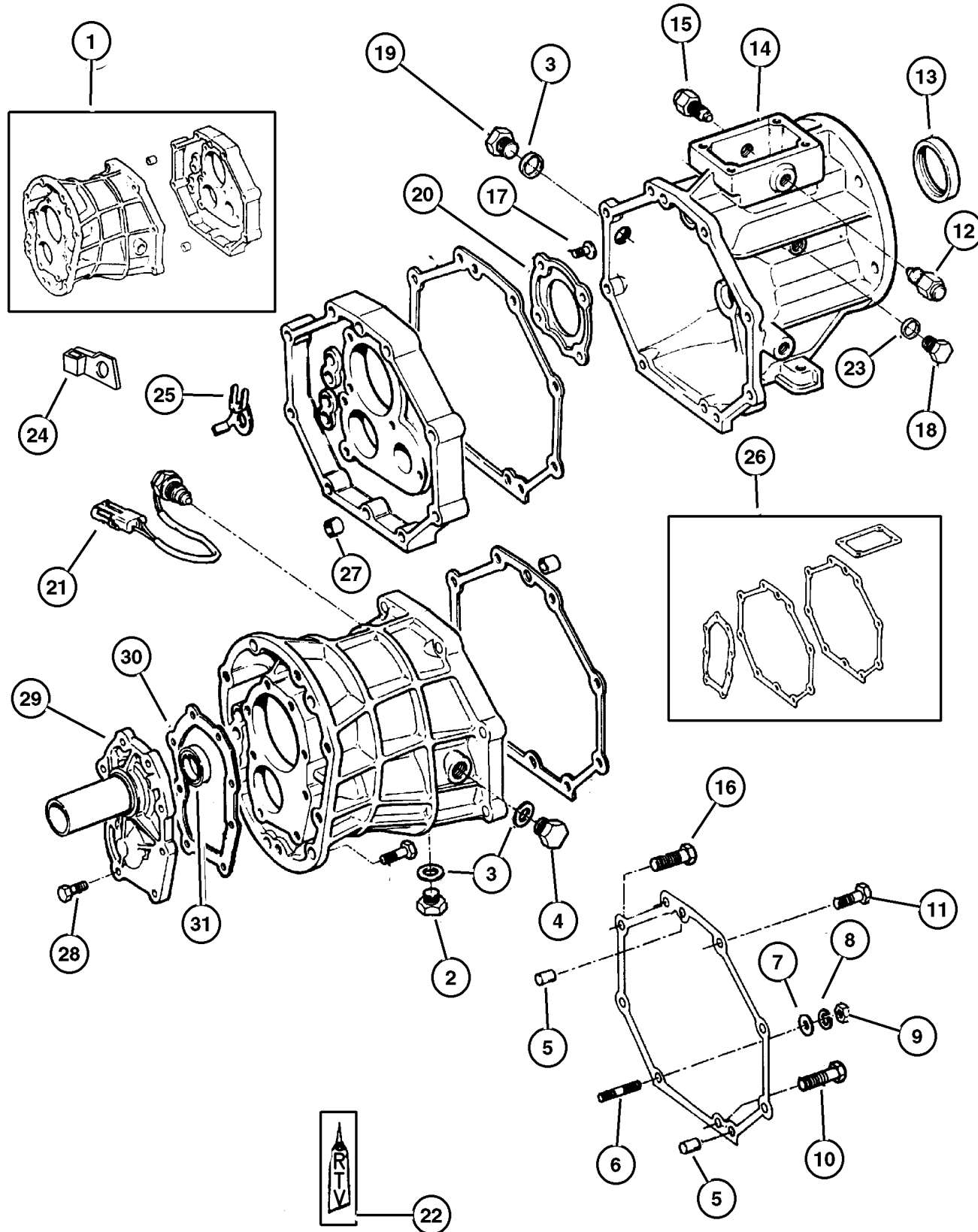
ITEM	PART NUMBER	QTY	LINE	SERIES	ENGINE	TRANS	DESCRIPTION
Note: J=Dana 35 Rear Axle---DRK=Dana 44 Rear Axle							
DDQ = 5 Speed Manual Transmission J=Dana 35 Rear Axle---DRK=Dana 44 Rear Axle							
EP0 = All 2.5L 4 Cyl Gas Engines J=Dana 35 Rear Axle---DRK=Dana 44 Rear Axle							
1	4897 581AA	1			EP0	DDQ	CASE, Transmission
2	4543 303	1			EP0	DDQ	PLUG, Differential Drain
3							GASKET, Drain Plug
	8350 0513	2			EP0		1998 TJ
		2			EP0	DDQ	1999 TJ
		1			EP0	DDQ	1999 TJ
4	8350 0509	1			EP0	DDQ	PLUG, Oil Fill
5							PIN, Locating
	8350 0504	4			EP0		1998 TJ
		4			EP0	DDQ	1999 TJ
6	8350 0618	1			EP0	DDQ	STUD, Double Ended, M10x1.25x98
7	8350 0627	1			EP0	DDQ	WASHER, Flat
8	8350 0626	1			EP0	DDQ	WASHER, Lock
9	8350 0625	1			EP0	DDQ	NUT, Transmission Case
10	8350 3547	1			EP0	DDQ	BOLT
11							BOLT
	8350 3549	4			EP0		1998 TJ
		1			EP0	DDQ	1998 TJ
		4			EP0	DDQ	1999 TJ
12	8350 0516	1			EP0	DDQ	PIN, Reverse Restrict
13	8350 3108	1			EP0	DDQ	SEAL, Adapter
14	4897 133AA	1			EP0	DDQ	ADAPTER, Transfer Case
15	8350 0515	1			EP0	DDQ	PIN, Reverse
16	8350 3548	1			EP0	DDQ	BOLT
17							SCREW, Manual Transmission
	8350 0511	4			EP0		1998 TJ
		4			EP0	DDQ	1999 TJ
18							CAP, Detent
	8350 3109	AR			EP0		1998 TJ
		AR			EP0	DDQ	1999 TJ
19	8350 0623	1			EP0	DDQ	PLUG, Oil Fill
20	8350 6034	1			EP0	DDQ	RETAINER, Bearing
21	8350 0629	1			EP0	DDQ	SWITCH, Back Up Lamp
22	4318 025	1			EP0	DDQ	SEALANT, RTV
23	8350 0540	1			EP0	DDQ	PIN, Shift Shaft
24	8350 0631	1			EP0	DDQ	CLAMP, Transmission
25	8350 3551	1			EP0	DDQ	CLAMP, Transmission
26	8350 0632	1			EP0	DDQ	GASKET, Transmission
27							PIN, Locating
	8350 0539	2			EP0		1998 TJ

JEEP WRANGLER (TJ)

SERIES	LINE	BODY	ENGINE	TRANSMISSION
L=Low Line	J = Wrangler 4WD U = Wrangler 4WD (RHD)	77 = 93.4 WB	EPE, EP0 = 2.5L Power Tech ERH, ER0 = 4.0L Power Tech	DGG, DGD = 32RH 3 Spd. Auto. DDQ = 5 Spd. Manual DGO = All Auto. Trans. DBB =All Manual Trans.

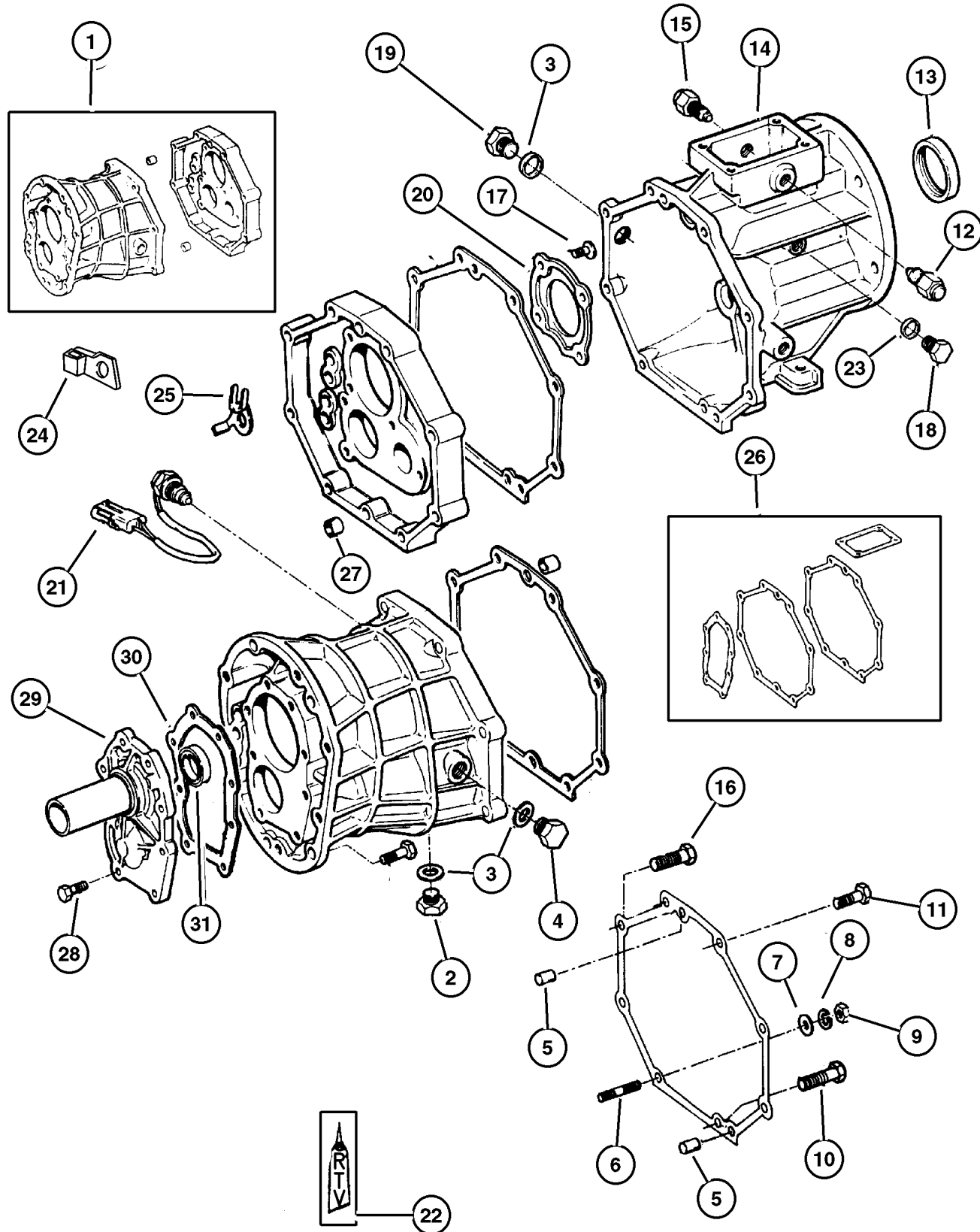
AR = Use as required - = Non illustrated part # = New this model year

June 7, 2002



Case and Extension AX5 (DDQ) 1998 TJ 1999 TJ
Figure AISIN-210

ITEM	PART NUMBER	QTY	LINE	SERIES	ENGINE	TRANS	DESCRIPTION
	5003 663AA	2			EPO	DDQ	1999 TJ
28	3420 1818	8			EPO		SCREW, Hex Head, M8x1.25x25
		5			EPO	DDQ	1998 TJ
29	4746 025	1			EPO	DDQ	RETAINER, Bearing
30	8350 0505	1			EPO	DDQ	GASKET, Input Gear Retainer
31	8350 6045	1			EPO	DDQ	SEAL, Main Shaft



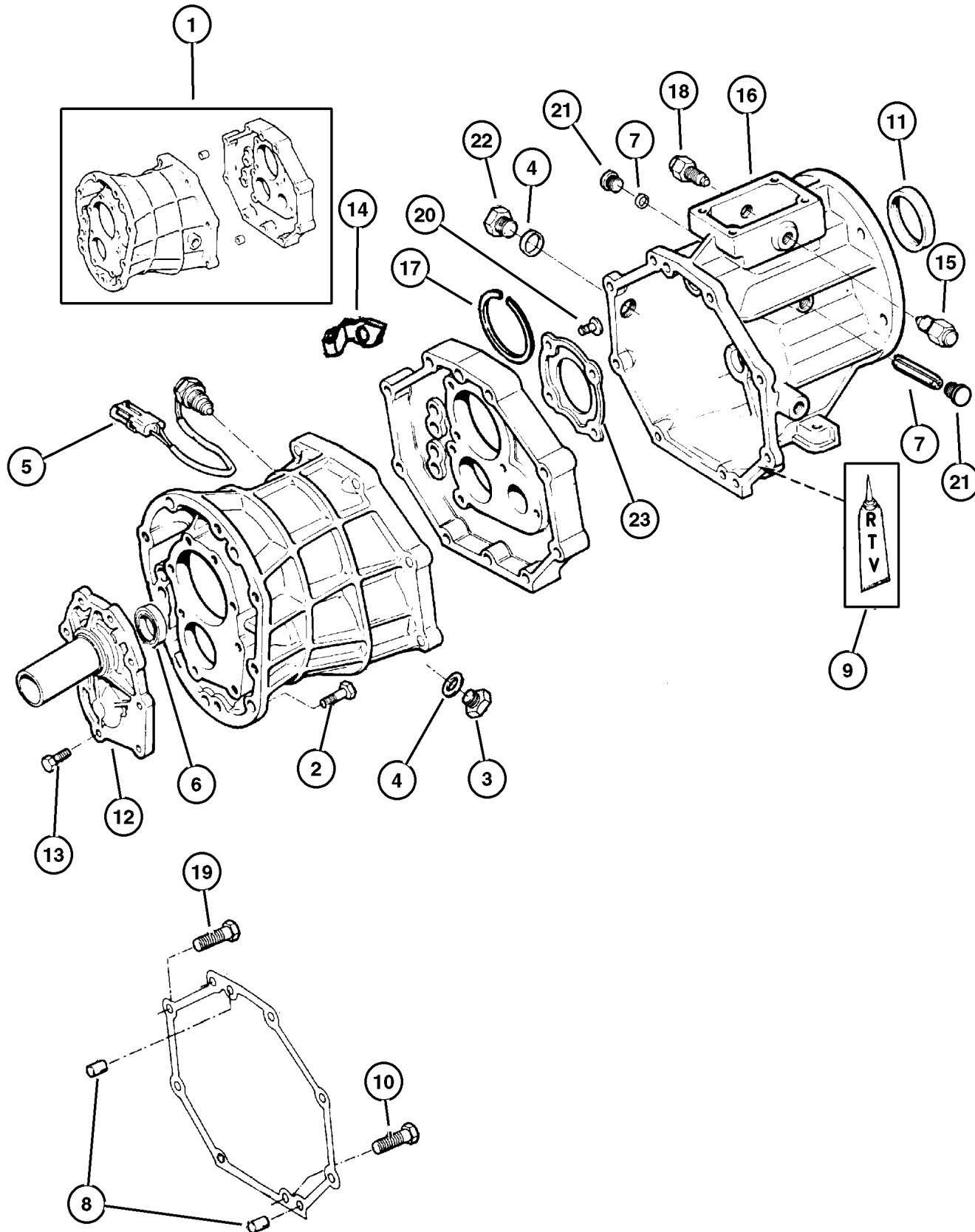
JEEP WRANGLER (TJ)		BODY	ENGINE	TRANSMISSION
SERIES	LINE	77 = 93.4 WB	EPE, EPO = 2.5L Power Tech ERH, ER0 = 4.0L Power Tech	DGG, DGD = 32RH 3 Spd. Auto. DDQ = 5 Spd. Manual DGO = All Auto. Trans. DBB = All Manual Trans.
L=Low Line	J = Wrangler 4WD U = Wrangler 4WD (RHD)			

AR = Use as required - = Non illustrated part # = New this model year

June 7, 2002

Case and Related Parts AX15 (DDQ) 1997 TJ
Figure AISIN-215

ITEM	PART NUMBER	QTY	LINE	SERIES	ENGINE	TRANS	DESCRIPTION
Note: J=Dana 35 Rear Axle---DRK=Dana 44 Rear Axle							
ER0 = All 4.0L 6 Cyl Gas Engines J=Dana 35 Rear Axle---DRK=Dana 44 Rear Axle							
DDK = 5 Speed Heavy Duty Manual Transmission J=Dana 35 Rear Axle---DRK=Dana 44 Rear Axle							
DDQ = Manual Transmission 5 Speed J=Dana 35 Rear Axle---DRK=Dana 44 Rear Axle							
DBB = All Manual Transmissions J=Dana 35 Rear Axle---DRK=Dana 44 Rear Axle							
1	5252 034	1			ER0	DDQ	CASE, Transmission
2	6503 299	9				DBB	BOLT, Hex Head
3	4543 303	1			ER0	DDQ	PLUG, Differential Drain
4							GASKET, Drain Plug
	8350 0513	AR			ER0		
		2			ER0	DDQ	
5	8350 0629	1			ER0	DDQ	SWITCH, Back Up Lamp
6	5252 053	1			ER0	DDQ	SEAL, Front Retainer
7	8350 0540	3			ER0	DDQ	PIN, Shift Shaft
8	8350 0504	2			ER0	DDQ	PIN, Locating
9	5010 884AA	1			EN0, ER0		SEALANT, RTV
10	8350 3547	1			EPO	DDQ	BOLT, Transmission Case
11	8350 3108	1			ER0	DDQ	SEAL, Adapter
12	4636 382	1			ER0	DDQ	RETAINER, Bearing
13	3420 1818	8			ER0	DDQ	SCREW, Hex Head, M8x1.25x25, With Washer,
14	8350 0631	1			ER0	DDQ	CLAMP, Transmission
15	8350 0516	1			EPO	DDQ	PIN, Reverse Restrict
16	4636 373	1			ER0	DDQ	ADAPTER, Transfer Case
17	8350 6221	1			ER0	DDQ	SNAP RING
18	5252 039	1			ER0	DDQ	PIN, Reverse
19	8350 3548	1			EPO	DDQ	BOLT
20	3420 1818	8			ER0	DDQ	SCREW, Hex Head, M8x1.25x25
21	8350 3109	AR			ER0	DDQ	CAP, Detent
22	8350 0623	1			ER0	DDQ	PLUG, Oil Fill
23	5252 036	1			ER0	DDQ	RETAINER, Output Shaft Rear Bearing



JEEP WRANGLER (TJ)

SERIES	LINE	BODY	ENGINE	TRANSMISSION
L=Low Line	J = Wrangler 4WD U = Wrangler 4WD (RHD)	77 = 93.4 WB	EPE, EP0 = 2.5L Power Tech ERH, ER0 = 4.0L Power Tech	DGG, DGD = 32RH 3 Spd. Auto. DDQ = 5 Spd. Manual DGO = All Auto. Trans. DBB =All Manual Trans.

AR = Use as required - = Non illustrated part # = New this model year

June 7, 2002

Case and Related Parts AX15 (DDQ) 1998 TJ 1999 TJ
Figure AISIN-215

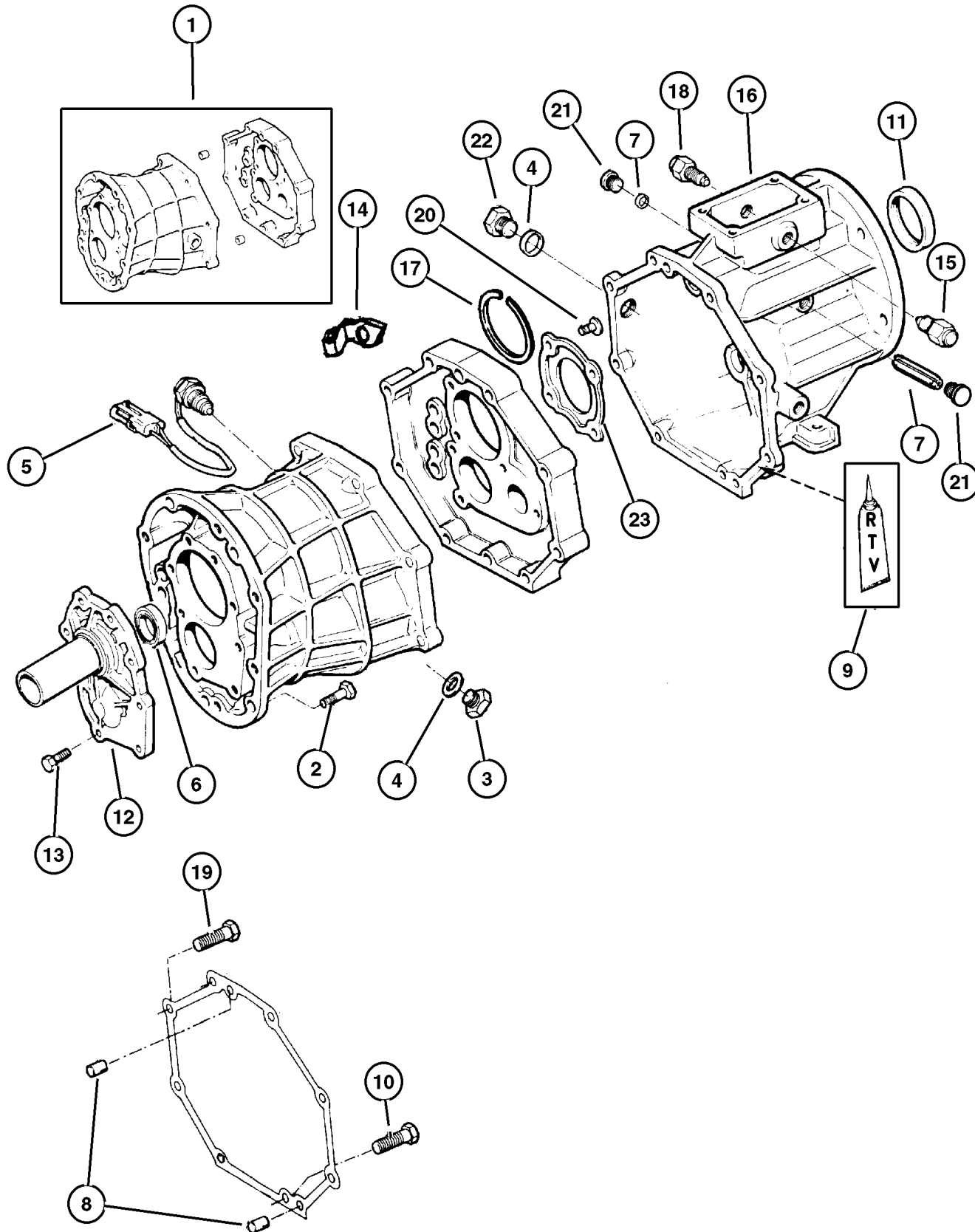
ITEM	PART NUMBER	QTY	LINE	SERIES	ENGINE	TRANS	DESCRIPTION
Note: J=Dana 35 Rear Axle---DRK=Dana 44 Rear Axle							
ER0 = All 4.0L 6 Cyl Gas Engines J=Dana 35 Rear Axle---DRK=Dana 44 Rear Axle							
DDK = 5 Speed Heavy Duty Manual Transmission J=Dana 35 Rear Axle---DRK=Dana 44 Rear Axle							
DDQ = Manual Transmission 5 Speed J=Dana 35 Rear Axle---DRK=Dana 44 Rear Axle							
DBB = All Manual Transmissions J=Dana 35 Rear Axle---DRK=Dana 44 Rear Axle							
1	5252 034	1			ER0	DDQ	CASE, Transmission
2	6503 299	9				DBB	BOLT, Hex Head, (M10x1.25x34mm)
3	4543 303	1			ER0	DDQ	PLUG, Differential Drain
4							GASKET, Drain Plug
	8350 0513	2			ER0	DDQ	1998 TJ
		1			ER0	DDQ	1999 TJ
5	8350 0629	1			ER0	DDQ	SWITCH, Back Up Lamp
6	5252 053	1			ER0	DDQ	SEAL, Front Retainer
7							PIN, Shift Shaft
	8350 0540	AR			ER0	DDQ	1998 TJ
		1			ER0	DDQ	1999 TJ
8							PIN, Locating
	8350 0504	2			ER0	DDQ	1998 TJ
		1			ER0	DDQ	1999 TJ
9	5010 884AA	1			ER0	DDQ	SEALANT, RTV
10							BOLT, Transmission Case
	4746 274	8			ER0	DDQ	1998 TJ
		1			ER0	DDQ	1999 TJ
11	8350 3108	1			ER0	DDQ	SEAL, Adapter
12	4636 382	1			ER0	DDQ	RETAINER, Bearing
13							SCREW, Hex Head, M8x1.25x25
	3420 1818	AR			ER0	DDQ	1998 TJ
		8			ER0	DDQ	1999 TJ
14	8350 0631	1			ER0	DDQ	CLAMP, Transmission
15	8350 0516	1			ER0	DDQ	PIN, Reverse Restrict
16	4636 373	1			ER0	DDQ	ADAPTER, Transfer Case
17	8350 6221	1			ER0	DDQ	SNAP RING
18	5252 039	1			ER0	DDQ	PIN, Reverse
19							BOLT
	8350 3548	2			ER0	DDQ	1998 TJ
		1			ER0	DDQ	1999 TJ
20							SCREW, Hex Head, M8x1.25x25
	3420 1818	AR			ER0	DDQ	1998 TJ
		5			EPO	DDQ	1999 TJ
21							CAP, Detent
	8350 3109	AR			ER0	DDQ	1998 TJ
		AR			ER0		1999 TJ
22	8350 0623	1			ER0	DDQ	PLUG, Oil Fill

JEEP WRANGLER (TJ)

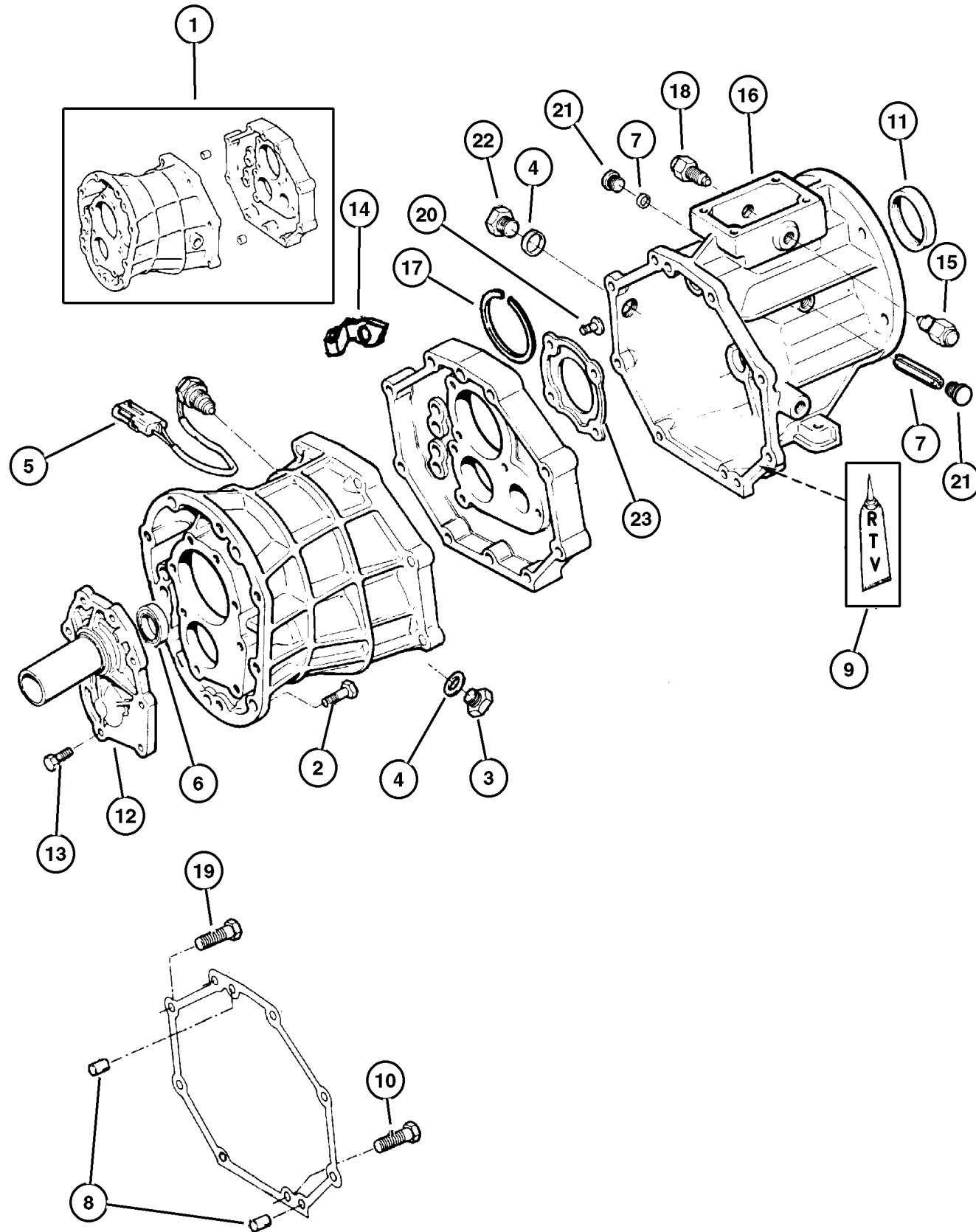
SERIES	LINE	BODY	ENGINE	TRANSMISSION
L=Low Line	J = Wrangler 4WD U = Wrangler 4WD (RHD)	77 = 93.4 WB	EPE, EPO = 2.5L Power Tech ERH, ER0 = 4.0L Power Tech	DGG, DGD = 32RH 3 Spd. Auto. DDQ = 5 Spd. Manual DGO = All Auto. Trans. DBB =All Manual Trans.

AR = Use as required - = Non illustrated part # = New this model year

June 7, 2002



Case and Related Parts AX15 (DDQ) 1998 TJ 1999 TJ
Figure AISIN-215



ITEM	PART NUMBER	QTY	LINE	SERIES	ENGINE	TRANS	DESCRIPTION
23	5252 036	1			ER0	DDQ	RETAINER, Output Shaft Rear Bearing

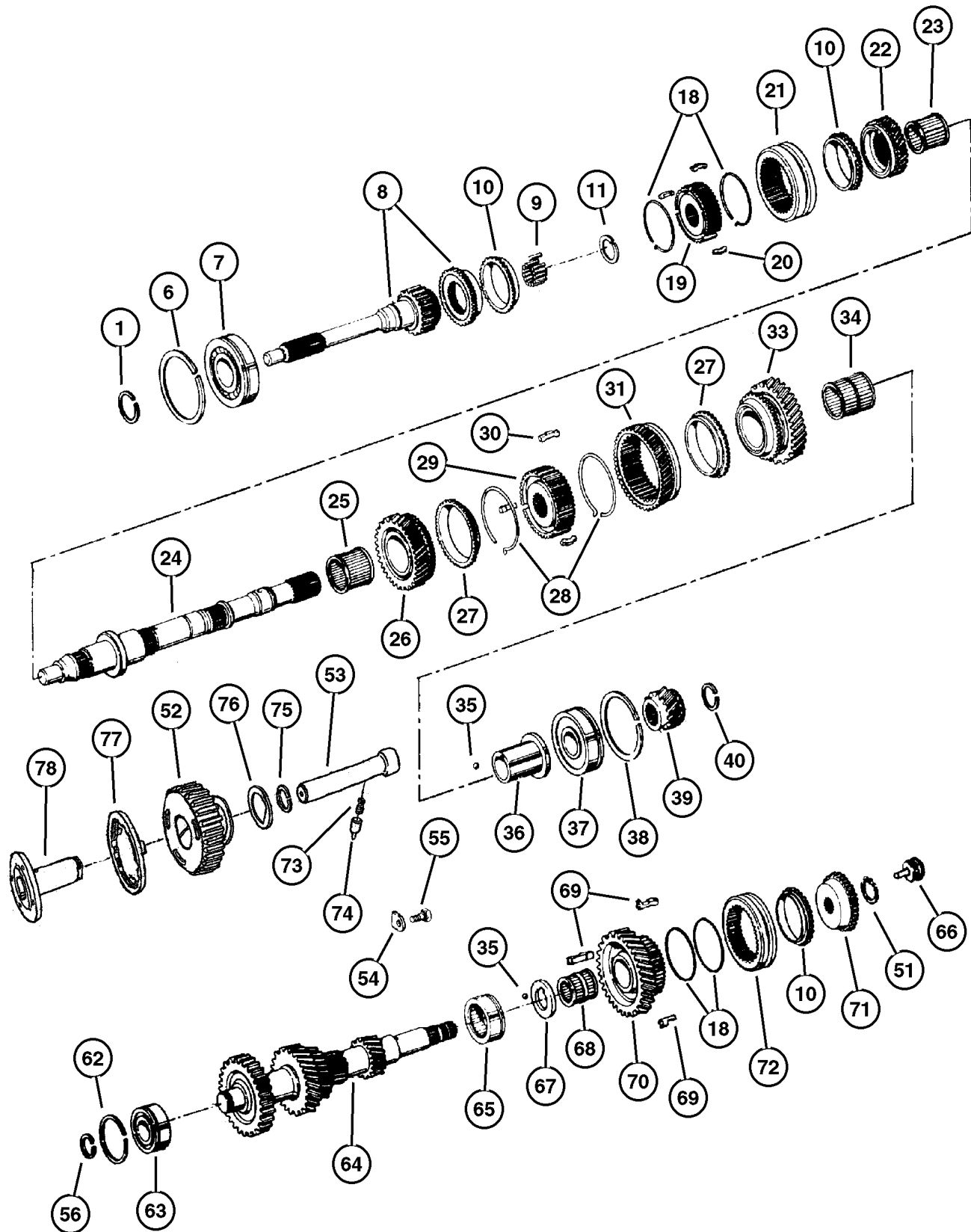
JEEP WRANGLER (TJ)

SERIES	LINE	BODY	ENGINE	TRANSMISSION
L=Low Line	J = Wrangler 4WD U = Wrangler 4WD (RHD)	77 = 93.4 WB	EPE, EP0 = 2.5L Power Tech ERH, ER0 = 4.0L Power Tech	DGG, DGD = 32RH 3 Spd. Auto. DDQ = 5 Spd. Manual DG0 = All Auto. Trans. DBB =All Manual Trans.

AR = Use as required - = Non illustrated part # = New this model year

June 7, 2002

Gear Train AX5 (DDQ) 1997 TJ
Figure AISIN-410



ITEM	PART NUMBER	QTY	LINE	SERIES	ENGINE	TRANS	DESCRIPTION
Note: J=Dana 35 Rear Axle---DRK=Dana 44 Rear Axle							
EPE = 2.5L SMPI Magnum 4 Cyl Engine J=Dana 35 Rear Axle---DRK=Dana 44 Rear Axle							
EP0 = All 2.5L 4 Cyl Gas Engines J=Dana 35 Rear Axle---DRK=Dana 44 Rear Axle							
DDQ = Manual Transmission 5 Speed J=Dana 35 Rear Axle---DRK=Dana 44 Rear Axle							
1	8350 0611	1			EP0	DDQ	SNAP RING, Input Shaft, 2.30mm
-2	8350 0610	1			EP0	DDQ	SNAP RING, Input Shaft, 2.25mm
-3	8350 0609	1			EP0	DDQ	SNAP RING, Input Shaft, 2.20mm
-4	8350 0608	1			EP0	DDQ	SNAP RING, Input Shaft, 2.15mm
-5	8350 0607	1			EP0	DDQ	SNAP RING, Input Shaft, 2.10mm
6	8350 0614	1			EP0	DDQ	SNAP RING
7	8350 2681	1			EP0	DDQ	BEARING, Input Shaft
8	8350 6020	1			EP0	DDQ	SHAFT, Input
9	8350 2680	13			EP0	DDQ	ROLLER, Input Gear
10	8350 0566	1			EP0	DDQ	STOP RING, Synchronizer
11	8350 0598	1			EP0	DDQ	SNAP RING, Mainshaft, 1.75mm
-12	8350 0599	1			EP0	DDQ	SNAP RING, Mainshaft, 1.80mm
-13	8350 0602	1			EP0	DDQ	SNAP RING, Mainshaft, 1.85mm
-14	8350 0603	1			EP0	DDQ	SNAP RING, Mainshaft, 1.90mm
-15	8350 0604	1			EP0	DDQ	SNAP RING, Mainshaft, 1.95mm
-16	8350 0605	1			EP0	DDQ	SNAP RING, Mainshaft, 2.00mm
-17	8350 0606	1			EP0	DDQ	SNAP RING, Mainshaft, 2.05mm
18	8350 0568	4			EP0	DDQ	SPRING, Synchronizer Key
19	8350 6027	1			EP0	DDQ	SYNCHRONIZER, Third and Fourth
20	8350 6029	1			EP0	DDQ	KEY, Synchronizer
21	4740 235	1			EP0	DDQ	SLEEVE, Synchromesh Clutch Gear, 1st and 2nd
22	8350 6019	1			EP0	DDQ	GEAR, Third
23	8350 0576	1			EP0	DDQ	BEARING, Third Gear
24	8350 3105	1			EP0	DDQ	MAINSHAFT, Transmission
25	8350 0577	1			EP0	DDQ	BEARING, Second Gear
26	8350 6018	1			EP0	DDQ	GEAR, Second
27	8350 0567	2			EP0	DDQ	STOP RING, Synchronizer
28	8350 0569	2			EP0	DDQ	SPRING, Synchronizer Key
29	8350 0561	1			EP0	DDQ	SYNCHRONIZER, First and Second
30	8350 0564	3			EP0	DDQ	KEY, Synchronizer
31	8350 0555	1			EP0	DDQ	GEAR, Reverse
-32	4897 102AA	1			EP0	DDQ	GEAR, Reverse Idler, With Transmission Stamp # [52104548]
33	8350 6017	1			EP0	DDQ	GEAR, First
34	8350 6031	1			EP0	DDQ	BEARING, First Gear
35	8350 0573	1			EP0	DDQ	BALL, Reverse
36	8350 6026	1			EP0	DDQ	RACE, First Gear
37	8350 6030	1			EP0	DDQ	BEARING, Mainshaft
38	8350 0613	1			EP0	DDQ	SNAP RING

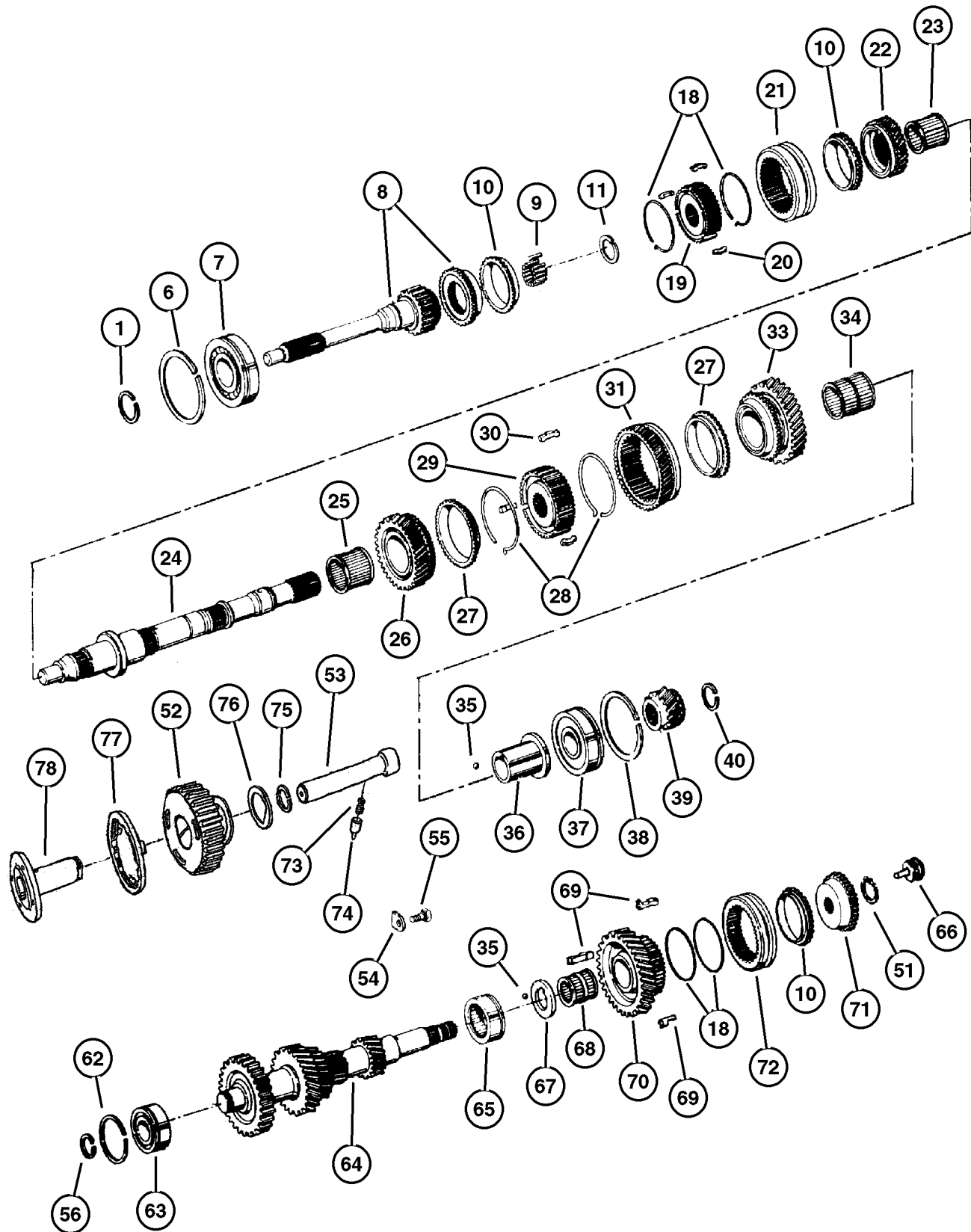
JEEP WRANGLER (TJ)

SERIES	LINE	BODY	ENGINE	TRANSMISSION
L=Low Line	J = Wrangler 4WD U = Wrangler 4WD (RHD)	77 = 93.4 WB	EPE, EP0 = 2.5L Power Tech ERH, ER0 = 4.0L Power Tech	DGG, DGD = 32RH 3 Spd. Auto. DDQ = 5 Spd. Manual DGO = All Auto. Trans. DBB =All Manual Trans.

AR = Use as required - = Non illustrated part # = New this model year

June 7, 2002

Gear Train AX5 (DDQ) 1997 TJ
Figure AISIN-410



ITEM	PART NUMBER	QTY	LINE	SERIES	ENGINE	TRANS	DESCRIPTION
39	8350 0971	1			EPO	DDQ	GEAR, Fifth
40	8350 0587	1			EPO	DDQ	SNAP RING, Mainshaft, 2.67-2.72mm
-41	8350 0588	1			EPO	DDQ	SNAP RING, Mainshaft, 2.73-2.78mm
-42	8350 0589	1			EPO	DDQ	SNAP RING, Mainshaft, 2.79-2.84mm
-43	8350 0590	1			EPO	DDQ	SNAP RING, Mainshaft, 2.85-2.90mm
-44	8350 0591	1			EPO	DDQ	SNAP RING, Mainshaft, 2.91-2.96mm
-45	8350 0592	1			EPO	DDQ	SNAP RING, Mainshaft, 2.97-3.02mm
-46	8350 0593	1			EPO	DDQ	SNAP RING, Mainshaft, 3.03-3.08mm
-47	8350 0594	1			EPO	DDQ	SNAP RING, Mainshaft, 3.09-3.14mm
-48	8350 0595	1			EPO	DDQ	SNAP RING, Mainshaft, 3.15-3.20mm
-49	8350 0596	1			EPO	DDQ	SNAP RING, Mainshaft, 3.21-3.26mm
-50	8350 0597	1			EPO	DDQ	SNAP RING, Mainshaft, 3.27mm/3.32mm
51	8350 6035	1			EPO	DDQ	SNAP RING PACKAGE, Transmission
52							GEAR, Reverse Idler
	8350 3555	1			EPO	DDQ	
	4897 102AA	1			EPO	DDQ	With Transmission Stamp # [52104548]
53							IDLER SHAFT, Transmission
	8350 0570	1			EPO	DDQ	
	4897 104AA	1			EPO	DDQ	With Transmission Stamp # [52104548]
54	4883 380AA	1			EPO	DDQ	STOPPER, Idler Shaft
55	8350 0615	1			EPO	DDQ	BOLT AND LOCK WASHER, Hex Head, M8x1.25x20
56	8350 0581	1			EPO	DDQ	SNAP RING, Cluster Gear, 2.05mm
-57	8350 0582	1			EPO	DDQ	SNAP RING, Cluster Gear, 2.10-2.15mm
-58	8350 0583	1			EPO	DDQ	SNAP RING, Cluster Gear, 2.15mm
-59	8350 0584	1			EPO	DDQ	SNAP RING, Cluster Gear, 2.20mm
-60	8350 0585	1			EPO	DDQ	SNAP RING, Cluster Gear, 2.25mm
-61	8350 0586	1			EPO	DDQ	SNAP RING, Cluster Gear, 2.30mm
62	8350 0612	1			EPO	DDQ	SNAP RING
63	8350 6032	1			EPO	DDQ	BEARING, Cluster Gear
64							GEAR, Countershaft
	8350 6023	1			EPO	DDQ	
	4897 103AA	1			EPO	DDQ	With Transmission Stamp # [52104548]
65	8350 6033	1			EPO	DDQ	BEARING, Cluster Gear
66	8350 0646	1			EPO	DDQ	PIPE, Oil Receiver
67	8350 6025	1			EPO	DDQ	THRUST WASHER, Fourth Gear
68	8350 0644	1			EPO	DDQ	NEEDLE BEARING, Fifth Gear
69	8350 0641	3			EPO	DDQ	KEY, Synchronizer, No. 3
70	8350 6022	1			EPO	DDQ	GEAR, Countershaft Fifth
71	8350 6024	1			EPO	DDQ	GEAR, Fifth Splined
72	4746 657	1			EPO	DDQ	SLEEVE, Synchronizer
73	4897 110AA	1			EPO	DDQ	SPRING, Compression
74	4897 109AA	1			EPO	DDQ	PIN

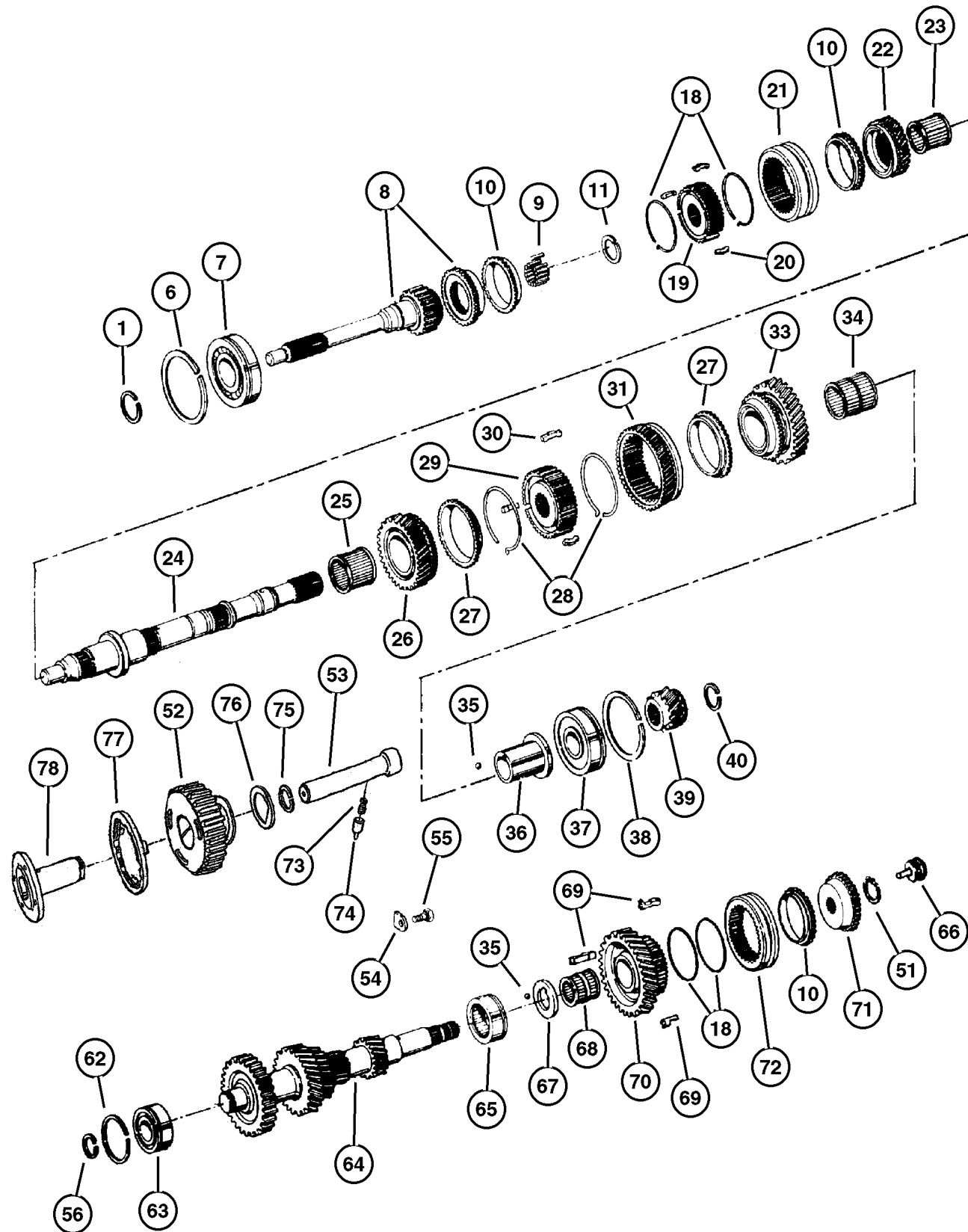
JEEP WRANGLER (TJ)

SERIES	LINE	BODY	ENGINE	TRANSMISSION
L=Low Line	J = Wrangler 4WD U = Wrangler 4WD (RHD)	77 = 93.4 WB	EPE, EP0 = 2.5L Power Tech ERH, ER0 = 4.0L Power Tech	DGG, DGD = 32RH 3 Spd. Auto. DDQ = 5 Spd. Manual DGO = All Auto. Trans. DBB =All Manual Trans.

AR = Use as required - = Non illustrated part # = New this model year

June 7, 2002

Gear Train AX5 (DDQ) 1997 TJ
Figure AISIN-410



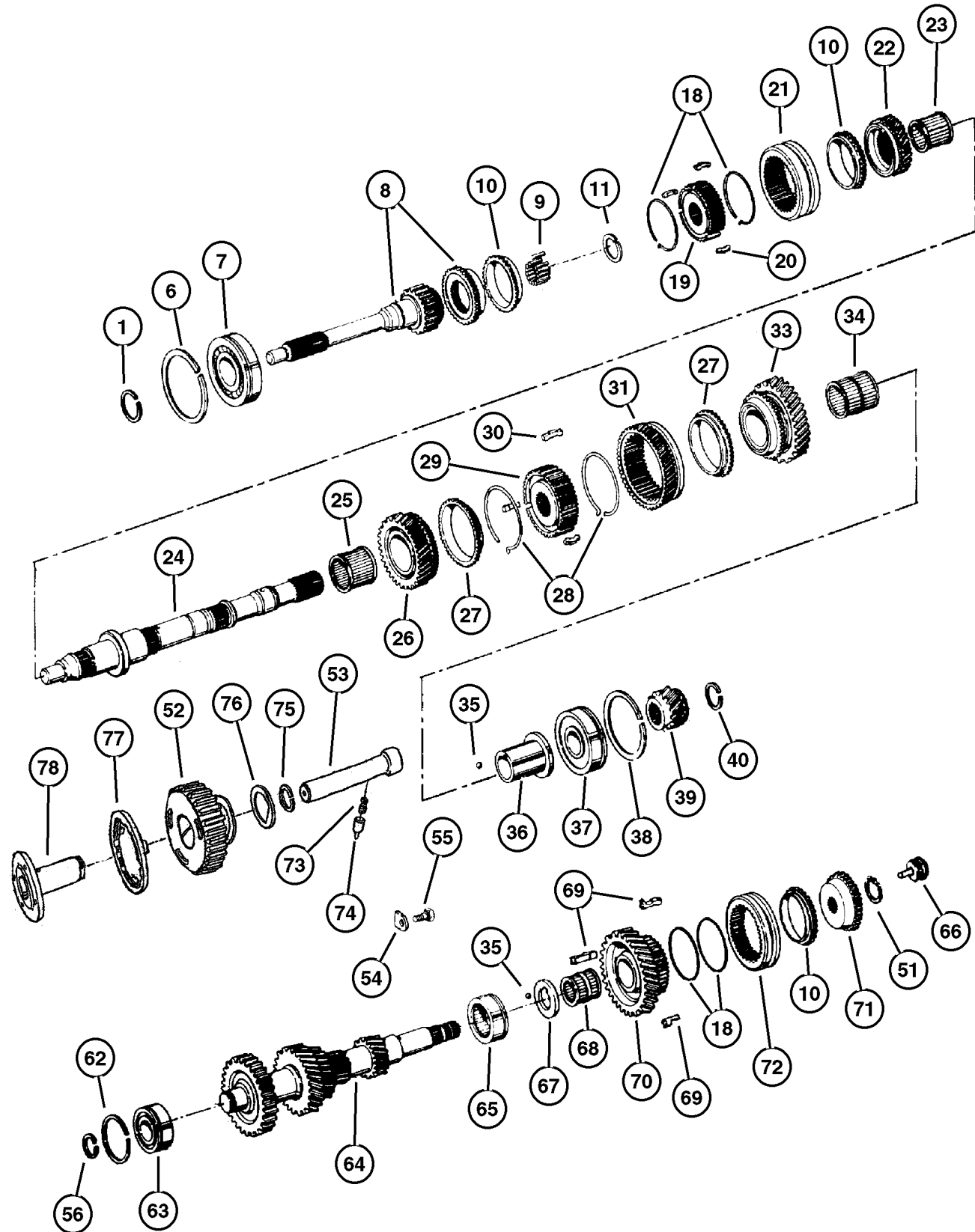
ITEM	PART NUMBER	QTY	LINE	SERIES	ENGINE	TRANS	DESCRIPTION
75	4897 112AA	1			EPO	DDQ	RING, Snap
76	4897 108AA	1			EPO	DDQ	PLATE, Transmission Idler Shaft
77	4897 111AA	1			EPO	DDQ	RING, Transmission
78	4897 107AA	1			EPO	DDQ	RACE, Idler Gear

JEEP WRANGLER (TJ)				
SERIES	LINE	BODY	ENGINE	TRANSMISSION
L=Low Line	J = Wrangler 4WD U = Wrangler 4WD (RHD)	77 = 93.4 WB	EPE, EPO = 2.5L Power Tech ERH, ER0 = 4.0L Power Tech	DGG, DGD = 32RH 3 Spd. Auto. DDQ = 5 Spd. Manual DGO = All Auto. Trans. DBB =All Manual Trans.

AR = Use as required - = Non illustrated part # = New this model year

June 7, 2002

Gear Train AX5 (DDQ) 1998 TJ
Figure AISIN-410



ITEM	PART NUMBER	QTY	LINE	SERIES	ENGINE	TRANS	DESCRIPTION
Note: J=Dana 35 Rear Axle---DRK=Dana 44 Rear Axle							
EPE = 2.5L SMPI Magnum 4 Cyl Engine J=Dana 35 Rear Axle---DRK=Dana 44 Rear Axle							
EP0 = All 2.5L 4 Cyl Gas Engines J=Dana 35 Rear Axle---DRK=Dana 44 Rear Axle							
DDQ = Manual Transmission 5 Speed J=Dana 35 Rear Axle---DRK=Dana 44 Rear Axle							
1	8350 0611	1			EP0	DDQ	SNAP RING, Input Shaft, 2.30mm
-2	8350 0610	1			EP0	DDQ	SNAP RING, Input Shaft, 2.25mm
-3	8350 0609	1			EP0	DDQ	SNAP RING, Input Shaft, 2.20mm
-4	8350 0608	1			EP0	DDQ	SNAP RING, Input Shaft, 2.15mm
-5	8350 0607	1			EP0	DDQ	SNAP RING, Input Shaft, 2.10mm
6	8350 0614	1			EP0	DDQ	SNAP RING
7	8350 2681	1			EP0	DDQ	BEARING, Input Shaft
8	8350 6020	1			EP0	DDQ	SHAFT, Input
9	8350 2680	13			EP0		ROLLER, Input Gear
10	8350 0566	3			EP0		STOP RING, Synchronizer
11	8350 0598	1			EP0	DDQ	SNAP RING, Mainshaft, 1.75mm
-12	8350 0599	1			EP0	DDQ	SNAP RING, Mainshaft, 1.80mm
-13	8350 0602	1			EP0	DDQ	SNAP RING, Mainshaft, 1.85mm
-14	8350 0603	1			EP0	DDQ	SNAP RING, Mainshaft, 1.90mm
-15	8350 0604	1			EP0	DDQ	SNAP RING, Mainshaft, 1.95mm
-16	8350 0605	1			EP0	DDQ	SNAP RING, Mainshaft, 2.00mm
-17	8350 0606	1			EP0	DDQ	SNAP RING, Mainshaft, 2.05mm
18	8350 0568	4			EP0		SPRING, Synchronizer Key
19	8350 6027	1			EP0	DDQ	SYNCHRONIZER, Third and Fourth
20	8350 6029	3			EP0		KEY, Synchronizer
21	4740 235	1			EP0	DDQ	SLEEVE, Synchromesh Clutch Gear
22	8350 6019	1			EP0	DDQ	GEAR, Third
23	8350 0576	1			EP0	DDQ	BEARING, Third Gear
24	8350 3105	1			EP0	DDQ	MAINSHAFT, Transmission
25	8350 0577	1			EP0	DDQ	BEARING, Second Gear
26	8350 6018	1			EP0	DDQ	GEAR, Second
27	8350 0567	2			EP0		STOP RING, Synchronizer
28	8350 0569	2			EP0		SPRING, Synchronizer Key
29	8350 0561	1			EP0	DDQ	SYNCHRONIZER, First and Second
30	8350 0564	3			EP0		KEY, Synchronizer
31	4897 101AA	1			EP0	DDQ	GEAR, Reverse
-32	4897 102AA	1			EP0	DDQ	GEAR, Reverse Idler, With Transmission Stamp # [52104548]
33	8350 6017	1			EP0	DDQ	GEAR, First
34	8350 6031	1			EP0	DDQ	BEARING, First Gear
35	8350 0573	2			EP0		BALL, Reverse
36	8350 6026	1			EP0	DDQ	RACE, First Gear
37	8350 6030	1			EP0	DDQ	BEARING, Mainshaft
38	8350 0613	1			EP0	DDQ	SNAP RING

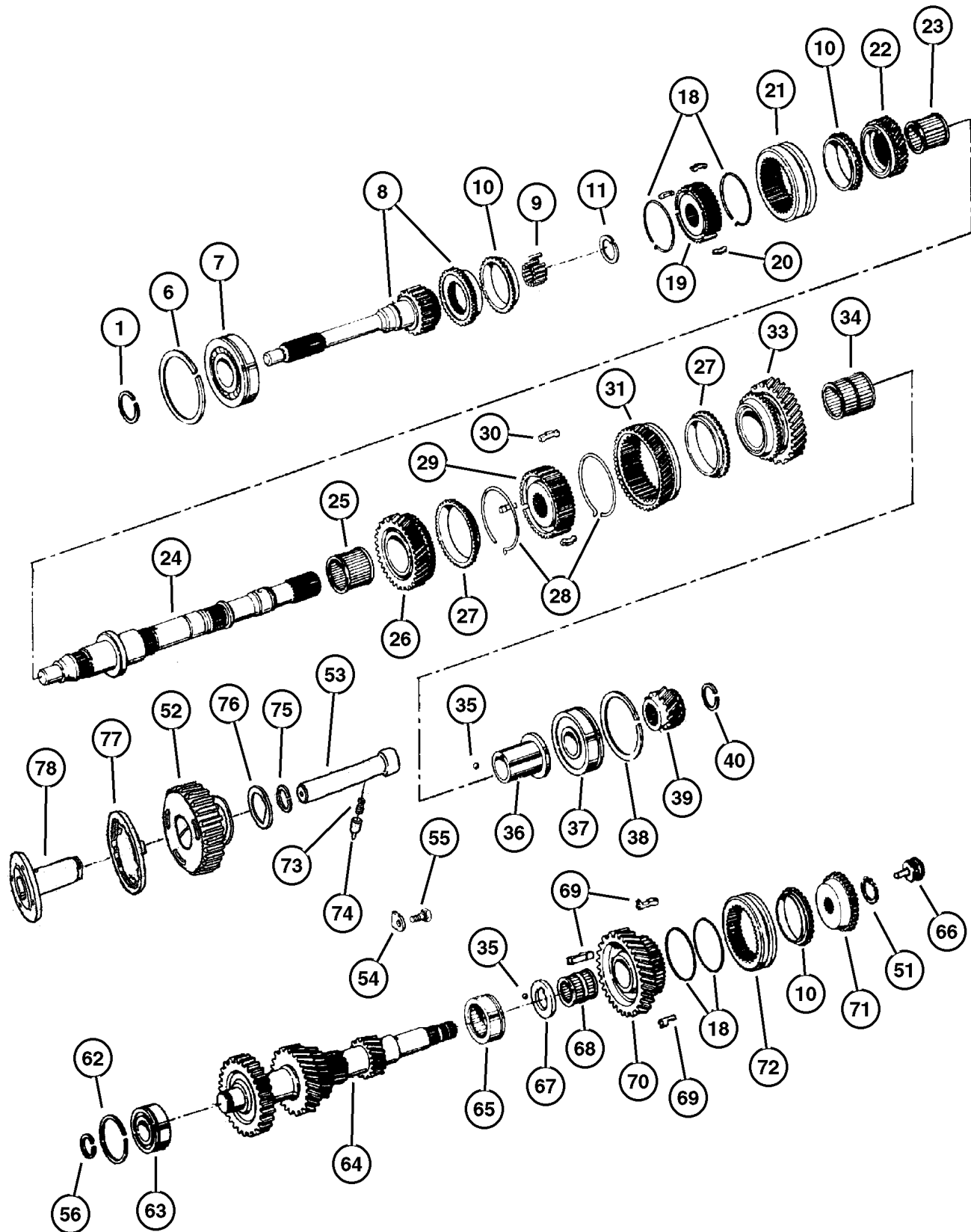
JEEP WRANGLER (TJ)

SERIES	LINE	BODY	ENGINE	TRANSMISSION
L=Low Line	J = Wrangler 4WD U = Wrangler 4WD (RHD)	77 = 93.4 WB	EPE, EP0 = 2.5L Power Tech ERH, ER0 = 4.0L Power Tech	DGG, DGD = 32RH 3 Spd. Auto. DDQ = 5 Spd. Manual DG0 = All Auto. Trans. DBB =All Manual Trans.

AR = Use as required - = Non illustrated part # = New this model year

June 7, 2002

Gear Train AX5 (DDQ) 1998 TJ
Figure AISIN-410



ITEM	PART NUMBER	QTY	LINE	SERIES	ENGINE	TRANS	DESCRIPTION
39	8350 0971	1			EPO	DDQ	GEAR, Fifth
40	8350 0587	1			EPO	DDQ	SNAP RING, Mainshaft, 2.67-2.72mm
-41	8350 0588	1			EPO	DDQ	SNAP RING, Mainshaft, 2.73-2.78mm
-42	8350 0589	1			EPO	DDQ	SNAP RING, Mainshaft, 2.79-2.84mm
-43	8350 0590	1			EPO	DDQ	SNAP RING, Mainshaft, 2.85-2.90mm
-44	8350 0591	1			EPO	DDQ	SNAP RING, Mainshaft, 2.91-2.96mm
-45	8350 0592	1			EPO	DDQ	SNAP RING, Mainshaft, 2.97-3.02mm
-46	8350 0593	1			EPO	DDQ	SNAP RING, Mainshaft, 3.03-3.08mm
-47	8350 0594	1			EPO	DDQ	SNAP RING, Mainshaft, 3.09-3.14mm
-48	8350 0595	1			EPO	DDQ	SNAP RING, Mainshaft, 3.15-3.20mm
-49	8350 0596	1			EPO	DDQ	SNAP RING, Mainshaft, 3.21-3.26mm
-50	8350 0597	1			EPO	DDQ	SNAP RING, Mainshaft
51	8350 6035	1			EPO	DDQ	SNAP RING PACKAGE, Transmission
52	4897 102AA	1			EPO	DDQ	GEAR, Reverse Idler
53	4897 104AA	1			EPO	DDQ	IDLER SHAFT, Transmission
54	4883 380AA	1			EPO	DDQ	STOPPER, Idler Shaft
55	8350 0615	1			EPO	DDQ	BOLT AND LOCK WASHER, Hex Head, M8x1.25x20
56	8350 0581	1			EPO	DDQ	SNAP RING, Cluster Gear, 2.05mm
-57	8350 0582	1			EPO	DDQ	SNAP RING, Cluster Gear, 2.10-2.15mm
-58	8350 0583	1			EPO	DDQ	SNAP RING, Cluster Gear, 2.15mm
-59	8350 0584	1			EPO	DDQ	SNAP RING, Cluster Gear, 2.20mm
-60	8350 0585	1			EPO	DDQ	SNAP RING, Cluster Gear, 2.25mm
-61	8350 0586	1			EPO	DDQ	SNAP RING, Cluster Gear, 2.30mm
62	8350 0612	1			EPO	DDQ	SNAP RING
63	8350 6032	1			EPO	DDQ	BEARING, Cluster Gear
64	4897 103AA	1			EPO	DDQ	GEAR, Countershaft
65	8350 6033	1			EPO	DDQ	BEARING, Cluster Gear
66	8350 0646	1			EPO	DDQ	PIPE, Oil Receiver
67	8350 6025	1			EPO	DDQ	THRUST WASHER, Fourth Gear
68	8350 0644	1			EPO	DDQ	NEEDLE BEARING, Fifth Gear
69	8350 0641	3			EPO	DDQ	KEY, Synchronizer
70	8350 6022	1			EPO	DDQ	GEAR, Countershaft Fifth
71	8350 6024	1			EPO	DDQ	GEAR, Fifth Splined
72	4746 657	1			EPO	DDQ	SLEEVE, Synchronizer
73	4897 110AA	1			EPO	DDQ	SPRING, Compression
74	4897 109AA	1			EPO	DDQ	PIN
75	4897 112AA	1			EPO	DDQ	RING, Snap
76	4897 108AA	1			EPO	DDQ	PLATE, Transmission Idler Shaft
77	4897 111AA	1			EPO	DDQ	RING, Transmission
78	4897 107AA	1			EPO	DDQ	RACE, Idler Gear

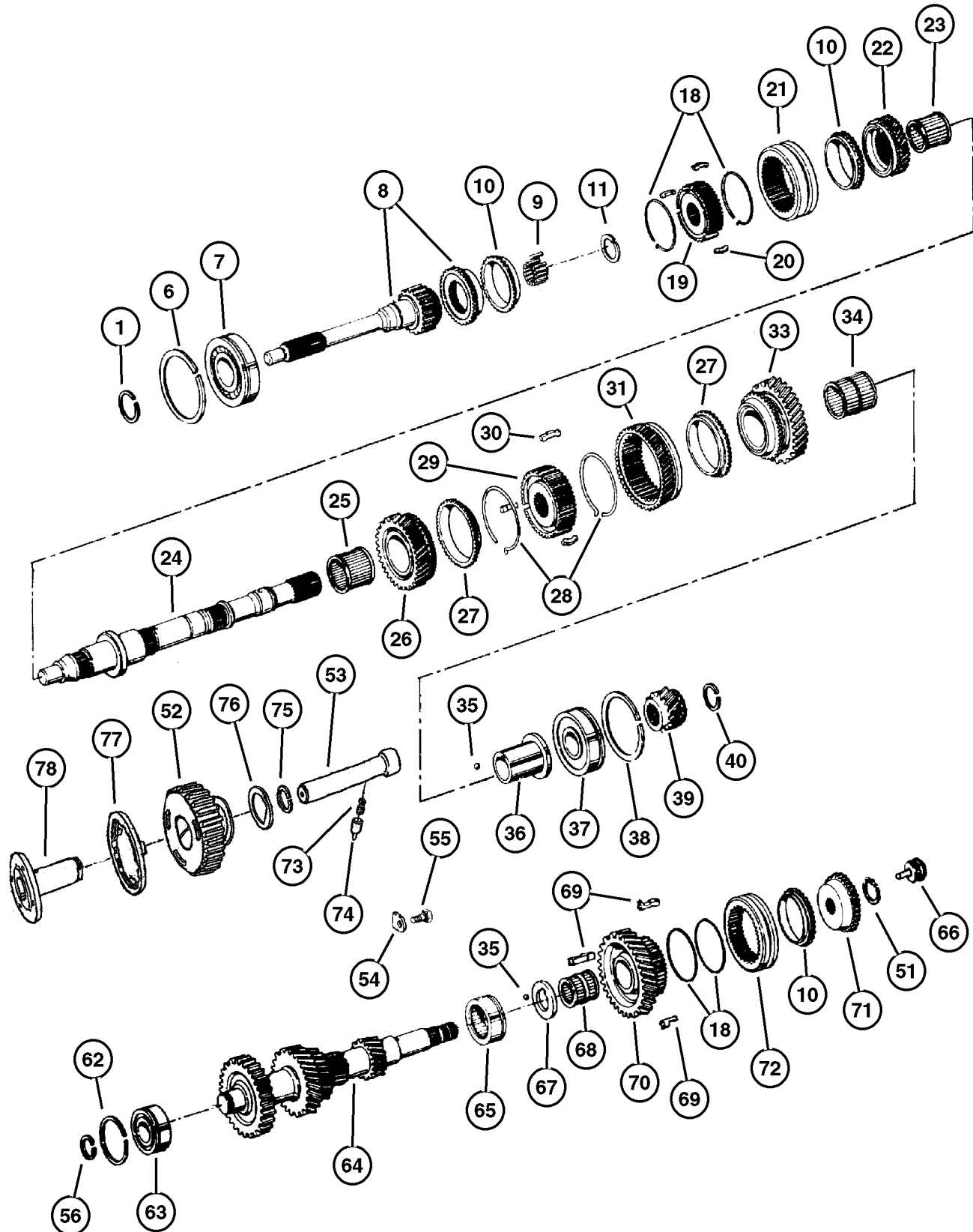
JEEP WRANGLER (TJ)

SERIES	LINE	BODY	ENGINE	TRANSMISSION
L=Low Line	J = Wrangler 4WD U = Wrangler 4WD (RHD)	77 = 93.4 WB	EPE, EP0 = 2.5L Power Tech ERH, ER0 = 4.0L Power Tech	DGG, DGD = 32RH 3 Spd. Auto. DDQ = 5 Spd. Manual DGO = All Auto. Trans. DBB =All Manual Trans.

AR = Use as required - = Non illustrated part # = New this model year

June 7, 2002

Gear Train AX5 (DDQ) 1999 TJ
Figure AISIN-410



ITEM	PART NUMBER	QTY	LINE	SERIES	ENGINE	TRANS	DESCRIPTION
Note: J=Dana 35 Rear Axle---DRK=Dana 44 Rear Axle							
EPO = All 2.5L 4 Cyl Gas Engines J=Dana 35 Rear Axle---DRK=Dana 44 Rear Axle							
DDQ = Manual Transmission 5 Speed J=Dana 35 Rear Axle---DRK=Dana 44 Rear Axle							
1	8350 0611	1			EPO	DDQ	SNAP RING, Input Shaft, 2.30mm
-2	8350 0610	1			EPO	DDQ	SNAP RING, Input Shaft, 2.25mm
-3	8350 0609	1			EPO	DDQ	SNAP RING, Input Shaft, 2.20mm
-4	8350 0608	1			EPO	DDQ	SNAP RING, Input Shaft, 2.15mm
-5	8350 0607	1			EPO	DDQ	SNAP RING, Input Shaft, 2.10mm
6	8350 0614	1			EPO	DDQ	SNAP RING
7	8350 2681	2			EPO	DDQ	BEARING, Input Shaft
8	8350 6020	1			EPO	DDQ	SHAFT, Input
9	8350 2680	13			EPO	DDQ	ROLLER, Input Gear
10	8350 0566	3			EPO	DDQ	STOP RING, Synchronizer
11	8350 0598	1			EPO	DDQ	SNAP RING, Mainshaft, 1.75mm
-12	8350 0599	1			EPO	DDQ	SNAP RING, Mainshaft, 1.80mm
-13	8350 0602	1			EPO	DDQ	SNAP RING, Mainshaft, 1.85mm
-14	8350 0603	1			EPO	DDQ	SNAP RING, Mainshaft, 1.90mm
-15	8350 0604	1			EPO	DDQ	SNAP RING, Mainshaft, 1.95mm
-16	8350 0605	1			EPO	DDQ	SNAP RING, Mainshaft, 2.00mm
-17	8350 0606	1			EPO	DDQ	SNAP RING, Mainshaft, 2.05mm
18	8350 0568	4			EPO	DDQ	SPRING, Synchronizer Key
19	8350 6027	1			EPO	DDQ	SYNCHRONIZER, Third and Fourth
20	8350 6029	3			EPO	DDQ	KEY, Synchronizer
21	4740 235	AR			EPO	DDQ	SLEEVE, Synchromesh Clutch Gear
22	8350 6019	1			EPO	DDQ	GEAR, Third
23	8350 0576	2			EPO	DDQ	BEARING, Third Gear
24	8350 3105	1			EPO	DDQ	MAINSHAFT, Transmission
25	8350 0577	2			EPO	DDQ	BEARING, Second Gear
26	8350 6018	1			EPO	DDQ	GEAR, Second
27	8350 0567	2			EPO	DDQ	STOP RING, Synchronizer
28	8350 0569	2			EPO	DDQ	SPRING, Synchronizer Key
29	8350 0561	1			EPO	DDQ	SYNCHRONIZER, First and Second
30	8350 0564	3			EPO	DDQ	KEY, Synchronizer
31	4897 101AA	1			EPO	DDQ	GEAR, Reverse
-32	4897 102AA	1			EPO	DDQ	GEAR, Reverse Idler, For Transmission Stamp # [52104548]
33	8350 6017	1			EPO	DDQ	GEAR, First
34	8350 6031	1			EPO	DDQ	BEARING, First Gear
35	8350 0573	2			EPO	DDQ	BALL, Reverse
36	8350 6026	1			EPO	DDQ	RACE, First Gear
37	8350 6030	1			EPO	DDQ	BEARING, Mainshaft
38	8350 0613	1			EPO	DDQ	SNAP RING
39	8350 0971	1			EPO	DDQ	GEAR, Fifth

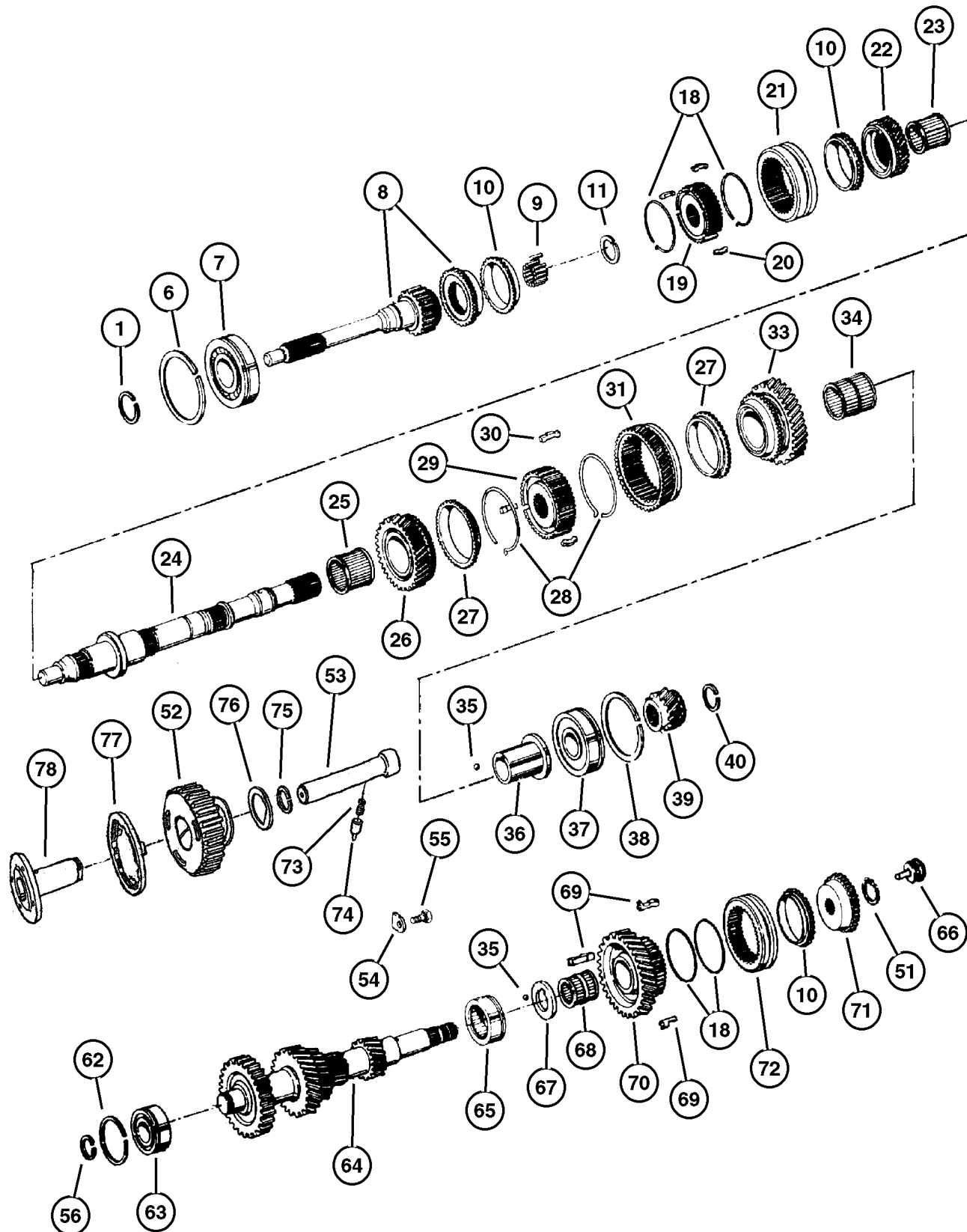
JEEP WRANGLER (TJ)

SERIES	LINE	BODY	ENGINE	TRANSMISSION
L=Low Line	J = Wrangler 4WD U = Wrangler 4WD (RHD)	77 = 93.4 WB	EPE, EPO = 2.5L Power Tech ERH, ER0 = 4.0L Power Tech	DGG, DGD = 32RH 3 Spd. Auto. DDQ = 5 Spd. Manual DGO = All Auto. Trans. DBB =All Manual Trans.

AR = Use as required - = Non illustrated part # = New this model year

June 7, 2002

Gear Train AX5 (DDQ) 1999 TJ
Figure AISIN-410



ITEM	PART NUMBER	QTY	LINE	SERIES	ENGINE	TRANS	DESCRIPTION
40	8350 0587	1			EPO	DDQ	SNAP RING, Mainshaft, 2.67-2.72mm
-41	8350 0588	1			EPO	DDQ	SNAP RING, Mainshaft, 2.73-2.78mm
-42	8350 0589	1			EPO	DDQ	SNAP RING, Mainshaft, 2.79-2.84mm
-43	8350 0590	1			EPO	DDQ	SNAP RING, Mainshaft, 2.85-2.90mm
-44	8350 0591	1			EPO	DDQ	SNAP RING, Mainshaft, 2.91-2.96mm
-45	8350 0592	1			EPO	DDQ	SNAP RING, Mainshaft, 2.97-3.02mm
-46	8350 0593	1			EPO	DDQ	SNAP RING, Mainshaft, 3.03-3.08mm
-47	8350 0594	1			EPO	DDQ	SNAP RING, Mainshaft, 3.09-3.14mm
-48	8350 0595	1			EPO	DDQ	SNAP RING, Mainshaft, 3.15-3.20mm
-49	8350 0596	1			EPO	DDQ	SNAP RING, Mainshaft, 3.21-3.26mm
-50	8350 0597	1			EPO	DDQ	SNAP RING, Mainshaft
51	8350 6035	1			EPO	DDQ	SNAP RING PACKAGE, Transmission
52	4897 102AA	1			EPO	DDQ	GEAR, Reverse Idler
53	4897 104AA	1			EPO	DDQ	IDLER SHAFT, Transmission
54	4883 380AA	1			EPO	DDQ	STOPPER, Idler Shaft
55	8350 0615	1			EPO	DDQ	BOLT AND LOCK WASHER, Hex Head, M8x1.25x20
56	8350 0581	1			EPO	DDQ	SNAP RING, Cluster Gear, 2.05mm
-57	8350 0582	1			EPO	DDQ	SNAP RING, Cluster Gear, 2.10-2.15mm
-58	8350 0583	1			EPO	DDQ	SNAP RING, Cluster Gear, 2.15mm
-59	8350 0584	1			EPO	DDQ	SNAP RING, Cluster Gear, 2.20mm
-60	8350 0585	1			EPO	DDQ	SNAP RING, Cluster Gear, 2.25mm
-61	8350 0586	1			EPO	DDQ	SNAP RING, Cluster Gear, 2.30mm
62	8350 0612	1			EPO	DDQ	SNAP RING
63	8350 6032	1			EPO	DDQ	BEARING, Cluster Gear
64	4897 103AA	1			EPO	DDQ	GEAR, Countershaft
65	8350 6033	1			EPO	DDQ	BEARING, Cluster Gear
66	8350 0646	1			EPO	DDQ	PIPE, Oil Receiver
67	8350 6025	1			EPO	DDQ	THRUST WASHER, Fourth Gear
68	8350 0644	2			EPO	DDQ	NEEDLE BEARING, Fifth Gear
69	8350 0641	3			EPO	DDQ	KEY, Synchronizer
70	8350 6022	1			EPO	DDQ	GEAR, Countershaft Fifth
71	8350 6024	1			EPO	DDQ	GEAR, Fifth Splined
72	4746 657	1			EPO	DDQ	SLEEVE, Synchronizer
73	4897 110AA	1			EPO	DDQ	SPRING, Compression
74	4897 109AA	1			EPO	DDQ	PIN
75	4897 112AA	1			EPO	DDQ	RING, Snap
76	4897 108AA	1			EPO	DDQ	PLATE, Transmission Idler Shaft
77	4897 111AA	1			EPO	DDQ	RING, Transmission
78	4897 107AA	1			EPO	DDQ	RACE, Idler Gear

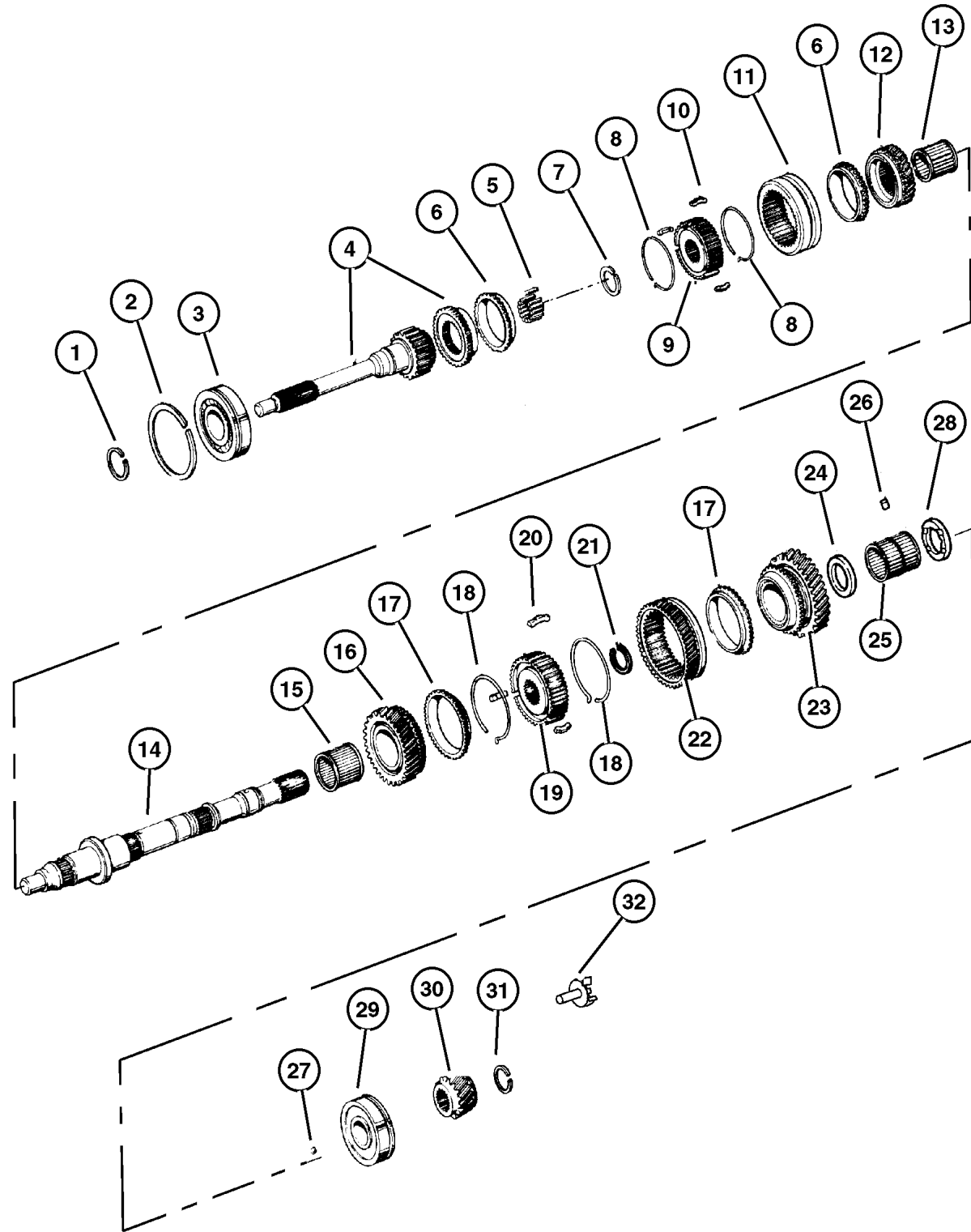
JEEP WRANGLER (TJ)

SERIES	LINE	BODY	ENGINE	TRANSMISSION
L=Low Line	J = Wrangler 4WD U = Wrangler 4WD (RHD)	77 = 93.4 WB	EPE, EP0 = 2.5L Power Tech ERH, ER0 = 4.0L Power Tech	DGG, DGD = 32RH 3 Spd. Auto. DDQ = 5 Spd. Manual DGO = All Auto. Trans. DBB =All Manual Trans.

AR = Use as required - = Non illustrated part # = New this model year

June 7, 2002

Gear Train AX15 (DDQ) 1997 TJ
Figure AISIN-415



ITEM	PART NUMBER	QTY	LINE	SERIES	ENGINE	TRANS	DESCRIPTION
Note: J=Dana 35 Rear Axle---DRK=Dana 44 Rear Axle							
ERH = 4.0L Power Tech Engine J=Dana 35 Rear Axle---DRK=Dana 44 Rear Axle							
ER0 = All 4.0L 6 Cyl Gas Engines J=Dana 35 Rear Axle---DRK=Dana 44 Rear Axle							
DDQ = Manual Transmission 5 Speed J=Dana 35 Rear Axle---DRK=Dana 44 Rear Axle							
1	SNAP RING						
	8350 6099	1			ER0	DDQ	Stamped A (X=2.10mm/2.15mm)
	8350 6214	1			ER0	DDQ	Stamped B (X= 2.15mm/2.20mm)
	8350 6215	1			ER0	DDQ	Stamped C (X=2.20mm/2.25mm)
	8350 6216	1			ER0	DDQ	Stamped D (X=2.25mm/2.30mm)
	8350 6217	1			ER0	DDQ	Stamped E (X2.30mm/2.35mm)
	8350 6218	1			ER0	DDQ	Stamped F (X=2.35mm/2.40mm)
	8350 6219	1			ER0	DDQ	Stamped G (X=2.40mm/2.45mm)
2	8350 6222	1			ER0	DDQ	SNAP RING
3	8350 6074	1			ER0	DDQ	BEARING, Input Shaft
4	4636 370	1			ER0	DDQ	INPUT SHAFT, Transmission
5	8350 6078	1			ER0	DDQ	NEEDLE BEARING, Input Shaft, Roller, (36.4mmODx24mmWD)
6	STOP RING, Synchronizer						
	4897 051AA	1			ER0	DDQ	Use Up To 12/12/97
	4897 052AA	1			ER0	DDQ	After 12/12/97
7	SNAP RING						
	8350 6086	1			ER0	DDQ	Stamped A (X=1.80mm/1.85mm)
	8350 6087	1			ER0	DDQ	Stamped B (X=1.85mm/1.90mm)
	8350 6088	1			ER0	DDQ	Stamped C (X=1.90mm/1.95mm)
	8350 6089	1			ER0	DDQ	Stamped D (X=1.95mm/2.00mm)
	8350 6090	1			ER0	DDQ	Stamped E (X=2.00mm/2.05mm)
	8350 6091	1			ER0	DDQ	Stamped F (X=2.05mm/2.10mm)
	8350 6092	1			ER0	DDQ	Stamped G (X=2.10mm/2.15mm)
8	8350 6255	2			ER0	DDQ	SPRING, Synchronizer Key
9	8350 6248	1			ER0	DDQ	HUB, Synchronizer, 3rd and 4th Gear, #2
10	8350 6251	3			ER0	DDQ	KEY, Synchronizer
11	8350 6249	1			ER0	DDQ	SLEEVE, Synchronizer
12	5252 079	1			ER0	DDQ	GEAR, Third
13	8350 6077	1			ER0	DDQ	NEEDLE BEARING, Third Gear, (3.85mmODx36.2mmWD)
14	8350 6243	1			ER0	DDQ	SHAFT, Output
15	8350 6076	1			ER0	DDQ	NEEDLE BEARING, Second Gear, (52.8mmODx36mmWD)
16	4636 369	1			ER0	DDQ	GEAR, Second
17	8350 6252	2			ER0	DDQ	STOP RING, Synchronizer, 1st & 2nd Gear, No. 1
18	8350 6254	2			ER0	DDQ	SPRING, Synchronizer Key, Shifting Key
19	8350 6247	1			ER0	DDQ	HUB, Synchronizer, Clutch Hub #1, 1st and 2nd Gear

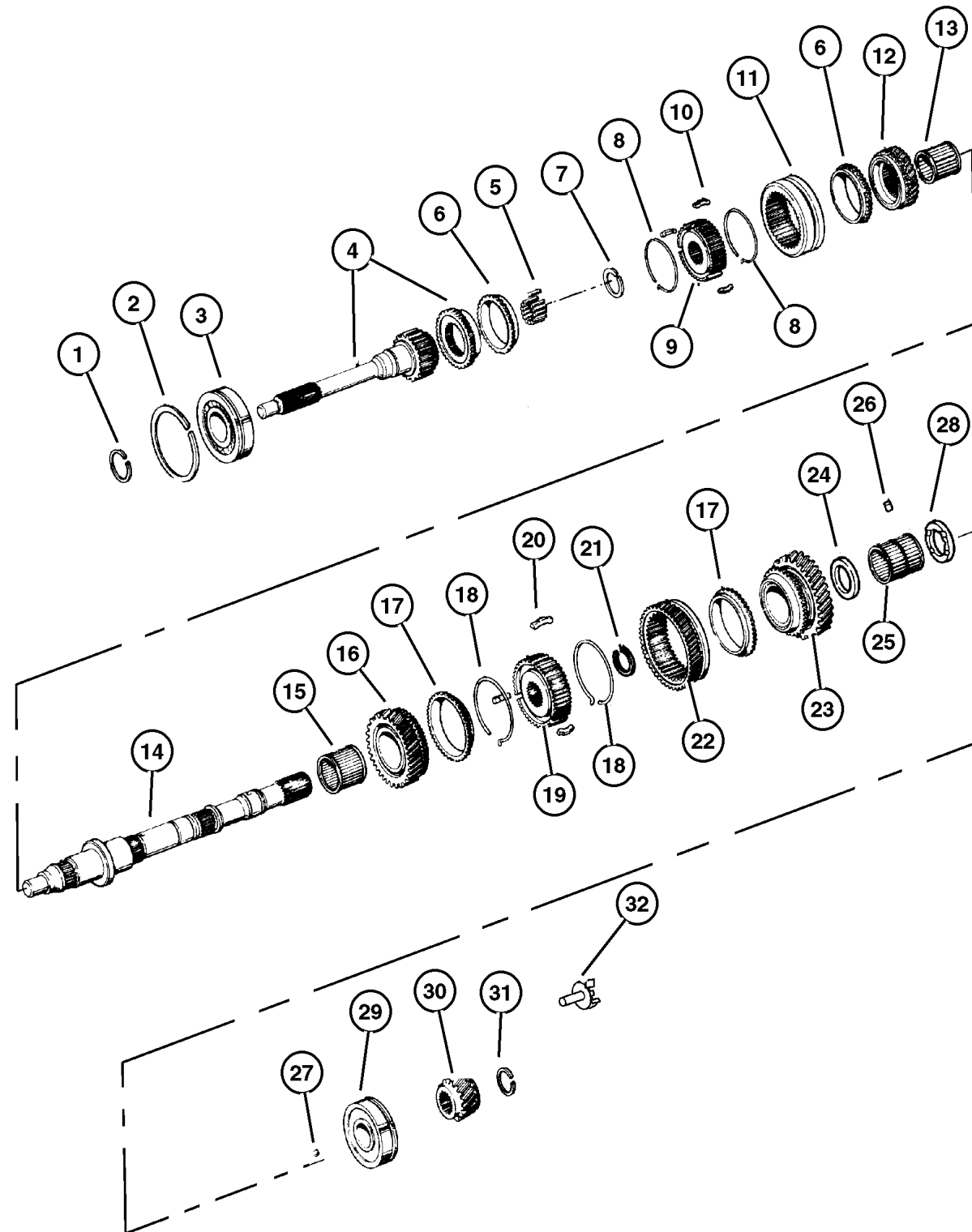
JEEP WRANGLER (TJ)

SERIES	LINE	BODY	ENGINE	TRANSMISSION
L=Low Line	J = Wrangler 4WD U = Wrangler 4WD (RHD)	77 = 93.4 WB	EPE, EP0 = 2.5L Power Tech ERH, ER0 = 4.0L Power Tech	DGG, DGD = 32RH 3 Spd. Auto. DDQ = 5 Spd. Manual DGO = All Auto. Trans. DBB =All Manual Trans.

AR = Use as required - = Non illustrated part # = New this model year

June 7, 2002

Gear Train AX15 (DDQ) 1997 TJ
Figure AISIN-415



ITEM	PART NUMBER	QTY	LINE	SERIES	ENGINE	TRANS	DESCRIPTION
20	8350 6250	3			ER0	DDQ	KEY, Synchronizer, No. 1
21							SNAP RING
	8350 6093	1			ER0	DDQ	Stamped B (x=2.35mm/2.40mm)
	8350 6094	1			ER0	DDQ	Stamped C (X=2.40mm/2.45mm)
	8350 6095	1			ER0	DDQ	Stamped D (X=2.45mm/2.50mm)
	8350 6096	1			ER0	DDQ	Stamped E (X=2.50mm/2.55mm)
	8350 6097	1			ER0	DDQ	Stamped F (X=2.55mm/2.60mm)
	8350 6098	1			ER0	DDQ	Stamped G (X=2.60mm/2.65mm)
22	5252 082	1			ER0	DDQ	GEAR, Reverse
23	4636 368	1			ER0	DDQ	GEAR, First
24	8350 6280	1			ER0	DDQ	SPACER, Output Shaft, 1st Gear
25	8350 6075	1			ER0	DDQ	NEEDLE BEARING, First Gear, (45.8mmODx44.5mmWD)
26	8350 6008	1			ER0	DDQ	PIN, Mainshaft, Output Shaft 1st Gear
27	8350 0573	1			ER0	DDQ	BALL, Reverse
28	8350 6246	1			ER0	DDQ	THRUST WASHER, First Gear
29	8350 6073	1			ER0	DDQ	BEARING, Output Shaft
30	5252 083	1			ER0	DDQ	GEAR, Fifth
31							SNAP RING
	8350 6268	1			ER0	DDQ	Stamped A (X=2.75mm/2.80mm)
	8350 6269	1			ER0	DDQ	Stamped B (X=2.80mm/2.85mm)
	8350 6270	1			ER0	DDQ	Stamped C (X=2.85mm/2.90mm)
	8350 6271	1			ER0	DDQ	Stamped D (X=2.90mm/2.95mm)
	8350 6272	1			ER0	DDQ	Stamped E (X=2.95mm/3.00mm)
	8350 6273	1			ER0	DDQ	Stamped F (X=3.00mm/3.10mm)
	8350 6274	1			ER0	DDQ	Stamped G (X=3.05mm/3.10mm)
	8350 6275	1			ER0	DDQ	Stamped H (X=3.10mm/3.15mm)
	8350 6276	1			ER0	DDQ	Stamped I (X=3.15mm/3.20mm)
	8350 6277	1			ER0	DDQ	Stamped J (X=3.20mm/3.25mm)
	8350 6278	1			ER0	DDQ	Stamped K (X=3.25mm/3.30mm)
	8350 6279	1			ER0	DDQ	Stamped L (X=3.30mm/3.35mm)
32	8350 0646	1			ER0	DDQ	PIPE, Oil Receiver

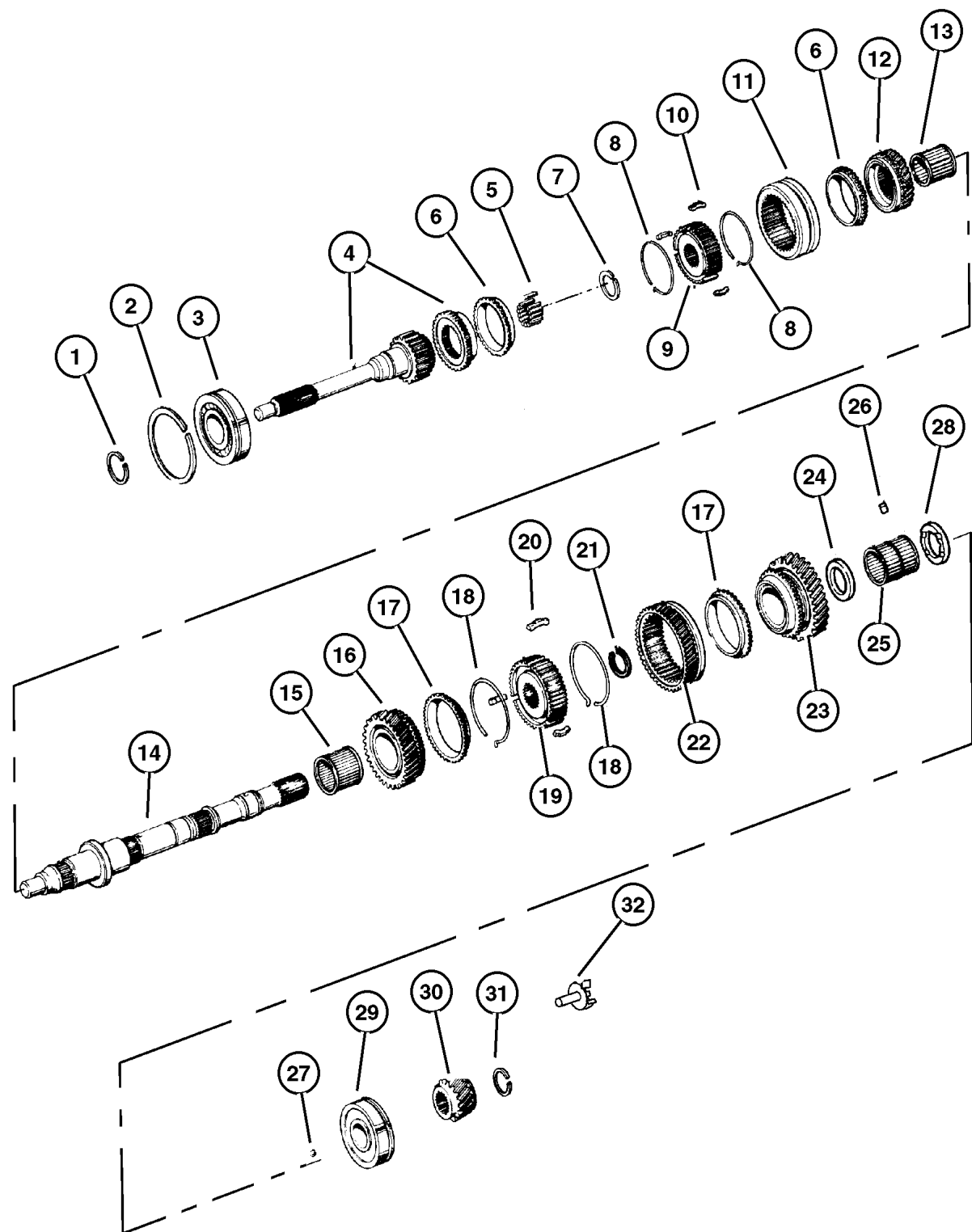
JEEP WRANGLER (TJ)

SERIES	LINE	BODY	ENGINE	TRANSMISSION
L=Low Line	J = Wrangler 4WD U = Wrangler 4WD (RHD)	77 = 93.4 WB	EPE, EP0 = 2.5L Power Tech ERH, ER0 = 4.0L Power Tech	DGG, DGD = 32RH 3 Spd. Auto. DDQ = 5 Spd. Manual DG0 = All Auto. Trans. DBB =All Manual Trans.

AR = Use as required - = Non illustrated part # = New this model year

June 7, 2002

Gear Train AX15 (DDQ) 1998 TJ Figure AISIN-415



ITEM	PART NUMBER	QTY	LINE	SERIES	ENGINE	TRANS	DESCRIPTION
Note: J=Dana 35 Rear Axle---DRK=Dana 44 Rear Axle							
DDQ = 5 Speed Manual Transmission J=Dana 35 Rear Axle---DRK=Dana 44 Rear Axle							
ERH = 4.0L Power Tech Engine J=Dana 35 Rear Axle---DRK=Dana 44 Rear Axle							
ER0 = All 4.0L 6 Cyl Gas Engines J=Dana 35 Rear Axle---DRK=Dana 44 Rear Axle							
1	SNAP RING						
	8350 6099	1			ER0	DDQ	Stamped A (x=2.10mm/2.15mm)
	8350 6214	1			ER0	DDQ	Stamped B (x=2.15mm/2.20mm)
	8350 6215	1			ER0	DDQ	Stamped C (x=2.20mm/2.25mm)
	8350 6216	1			ER0	DDQ	Stamped D (x=2.25mm/2.30mm)
	8350 6217	1			ER0	DDQ	Stamped E (x=2.30mm/2.35mm)
	8350 6218	1			ER0	DDQ	Stamped F (x=2.35mm/2.40mm)
	8350 6219	1			ER0	DDQ	Stamped G (x=2.40mm/2.45mm)
2	8350 6222	1			ER0	DDQ	SNAP RING
3	8350 6074	1			ER0	DDQ	BEARING, Input Shaft
4	4897 048AA	1			ER0	DDQ	INPUT SHAFT, Transmission
5	8350 6078	1			ER0	DDQ	NEEDLE BEARING, Input Shaft
6	STOP RING, Synchronizer						
	4897 051AA	1			ER0	DDQ	Use Up To 12/12/97
	4897 052AA	1			ER0	DDQ	After 12/12/97
7	SNAP RING						
	8350 6086	1			ER0	DDQ	Stamped A (x=1.80mm/1.85mm)
	8350 6087	1			ER0	DDQ	Stamped B (x=1.85mm/1.90mm)
	8350 6088	1			ER0	DDQ	Stamped C (x=1.90mm/1.95mm)
	8350 6089	1			ER0	DDQ	Stamped D (x=1.95mm/2.00mm)
	8350 6090	1			ER0	DDQ	Stamped E (x=2.00mm/2.05mm)
	8350 6091	1			ER0	DDQ	Stamped F (x=2.05mm/2.10mm)
	8350 6092	1			ER0	DDQ	Stamped G (x=2.10mm/2.15mm)
8	8350 6255	2			ER0	DDQ	SPRING, Synchronizer Key
9	8350 6248	1			ER0	DDQ	HUB, Synchronizer
10	8350 6251	3			ER0	DDQ	KEY, Synchronizer
11	4897 050AA	1			ER0	DDQ	SLEEVE, Synchronizer
12	4897 047AA	1			ER0	DDQ	GEAR, Third
13	8350 6077	1			ER0	DDQ	NEEDLE BEARING, Third Gear
14	8350 6243	1			ER0	DDQ	SHAFT, Output
15	8350 6076	1			ER0	DDQ	NEEDLE BEARING, Second Gear
16	4636 369	1			ER0	DDQ	GEAR, Second
17	8350 6252	2			ER0	DDQ	STOP RING, Synchronizer
18	8350 6254	2			ER0	DDQ	SPRING, Synchronizer Key
19	8350 6247	1			ER0	DDQ	HUB, Synchronizer
20	8350 6250	3			ER0	DDQ	KEY, Synchronizer
21	SNAP RING						
	8350 6093	1			ER0	DDQ	Stamped B (x=2.35mm/2.40mm)
	8350 6094	1			ER0	DDQ	Stamped C (x=2.40mm/2.45mm)

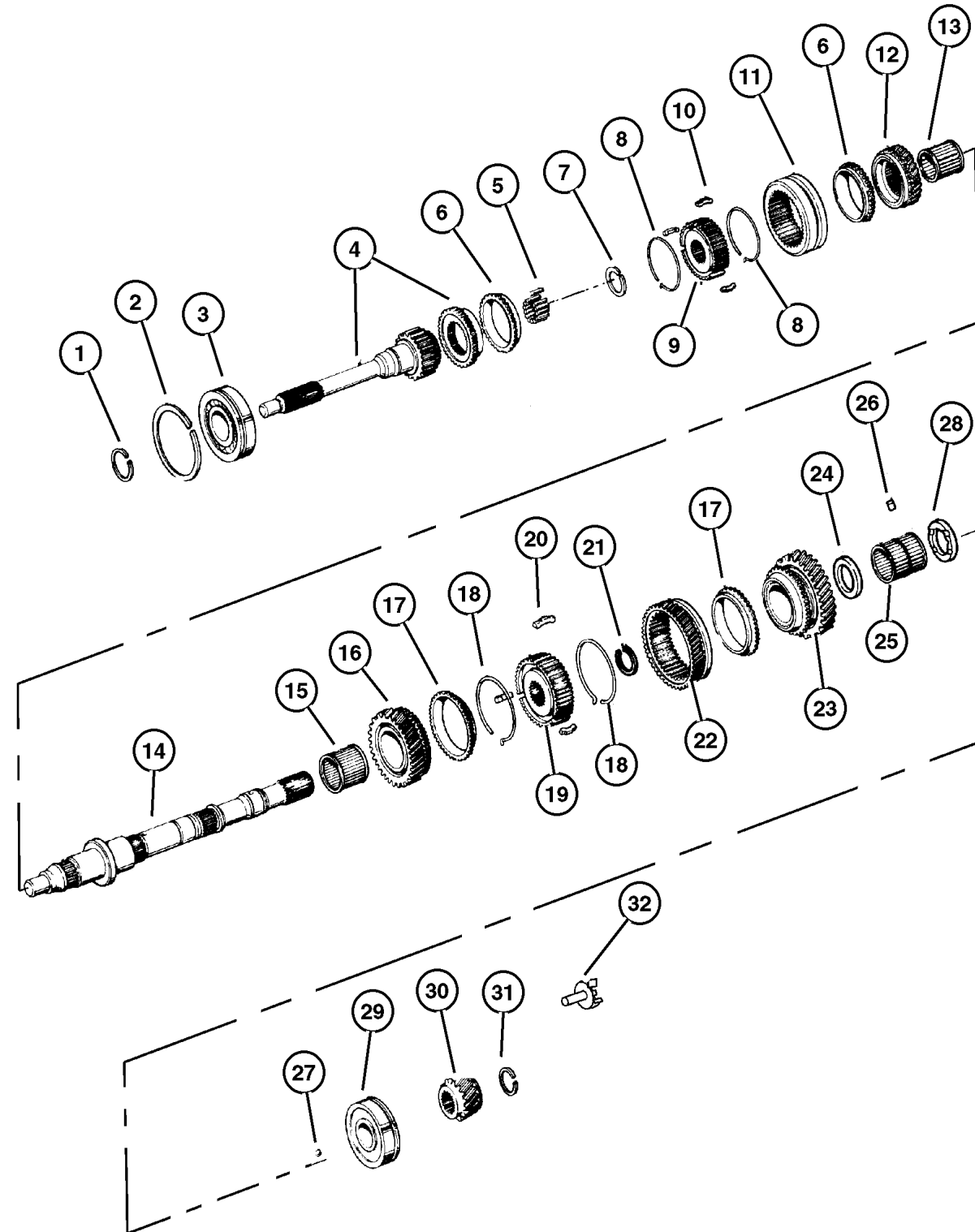
JEEP WRANGLER (TJ)

SERIES	LINE	BODY	ENGINE	TRANSMISSION
L=Low Line	J = Wrangler 4WD U = Wrangler 4WD (RHD)	77 = 93.4 WB	EPE, EP0 = 2.5L Power Tech ERH, ER0 = 4.0L Power Tech	DGG, DGD = 32RH 3 Spd. Auto. DDQ = 5 Spd. Manual DG0 = All Auto. Trans. DBB =All Manual Trans.

AR = Use as required - = Non illustrated part # = New this model year

June 7, 2002

Gear Train AX15 (DDQ) 1998 TJ
Figure AISIN-415



ITEM	PART NUMBER	QTY	LINE	SERIES	ENGINE	TRANS	DESCRIPTION
	8350 6095	1			ER0	DDQ	Stamped D (x=2.45mm/2.50mm)
	8350 6096	1			ER0	DDQ	Stamped E (x=2.50mm/2.55mm)
	8350 6097	1			ER0	DDQ	Stamped F (x=2.55mm/2.60mm)
	8350 6098	1			ER0	DDQ	Stamped G (x=2.60mm/2.65mm)
22	5252 082	1			ER0	DDQ	GEAR, Reverse
23	4636 368	1			ER0	DDQ	GEAR, First
24	8350 6280	1			ER0	DDQ	SPACER, Output Shaft
25	8350 6075	1			ER0	DDQ	NEEDLE BEARING, First Gear
26	8350 6008	1			ER0	DDQ	PIN, Mainshaft
27	8350 0573	1			ER0	DDQ	BALL, Reverse
28	8350 6246	1			ER0	DDQ	THRUST WASHER, First Gear
29	8350 6073	1			ER0	DDQ	BEARING, Output Shaft
30	5252 083	1			ER0	DDQ	GEAR, Fifth
31							SNAP RING
	8350 6268	1			ER0	DDQ	Stamped C (x=2.75mm/2.80mm)
	8350 6269	1			ER0	DDQ	Stamped D (x=2.80mm/2.85mm)
	8350 6270	1			ER0	DDQ	Stamped E (x=2.85mm/2.90mm)
	8350 6271	1			ER0	DDQ	Stamped F (x=2.90mm/2.95mm)
	8350 6272	1			ER0	DDQ	Stamped G (x=2.95mm/3.00mm)
	8350 6273	1			ER0	DDQ	Stamped H (X=3.00MM/3.05MM)
	8350 6274	1			ER0	DDQ	Stamped J (x=3.05mm/3.10mm)
	8350 6275	1			ER0	DDQ	Stamped K (x=3.10mm/3.15mm)
	8350 6276	1			ER0	DDQ	Stamped L (x=3.15mm/3.20mm)
	8350 6277	1			ER0	DDQ	Stamped M (x=3.20mm/3.25mm)
	8350 6278	1			ER0	DDQ	Stamped N (x=3.25mm/3.30mm)
	8350 6279	1			ER0	DDQ	Stamped P (x=3.30mm/3.35mm)
32	8350 0646	1			ER0	DDQ	PIPE, Oil Receiver

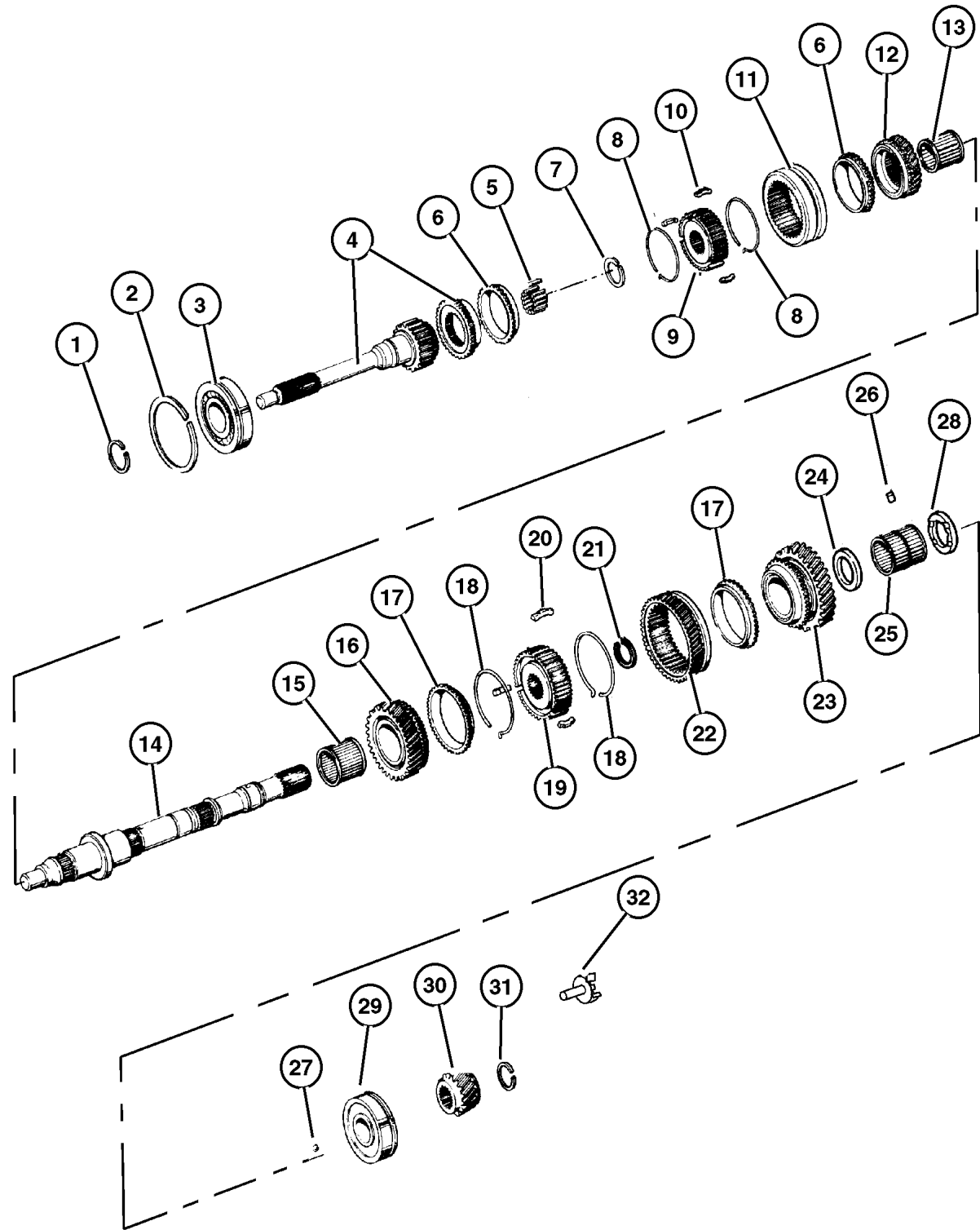
JEEP WRANGLER (TJ)

SERIES	LINE	BODY	ENGINE	TRANSMISSION
L=Low Line	J = Wrangler 4WD U = Wrangler 4WD (RHD)	77 = 93.4 WB	EPE, EP0 = 2.5L Power Tech ERH, ER0 = 4.0L Power Tech	DGG, DGD = 32RH 3 Spd. Auto. DDQ = 5 Spd. Manual DG0 = All Auto. Trans. DBB =All Manual Trans.

AR = Use as required - = Non illustrated part # = New this model year

June 7, 2002

Gear Train AX15 (DDQ) 1999 TJ
Figure AISIN-415



ITEM	PART NUMBER	QTY	LINE	SERIES	ENGINE	TRANS	DESCRIPTION
Note: J=Dana 35 Rear Axle---DRK=Dana 44 Rear Axle							
DDQ = 5 Speed Manual Transmission J=Dana 35 Rear Axle---DRK=Dana 44 Rear Axle							
ER0 = All 4.0L 6 Cyl Gas Engines J=Dana 35 Rear Axle---DRK=Dana 44 Rear Axle							
1							SNAP RING
	8350 6099	1			ER0	DDQ	STAMPED A (X=2.10mm/2.15mm)
	8350 6214	1			ER0	DDQ	STAMPED B (X=2.15mm/5.20mm)
	8350 6215	1			ER0	DDQ	STAMPED C (X=2.20mm/2.25mm)
	8350 6216	1			ER0	DDQ	STAMPED D (X=2.25mm/2.30mm)
	8350 6217	1			ER0	DDQ	STAMPED E (X=2.30mm/2.35mm)
	8350 6218	1			ER0	DDQ	STAMPED F (X=2.35mm/2.40mm)
	8350 6219	1			ER0	DDQ	STAMPED G (X=2.40mm/2.45mm)
2	8350 6222	1			ER0	DDQ	SNAP RING
3	8350 6073	1			ER0	DDQ	BEARING, Output Shaft
4	4897 048AA	1			ER0	DDQ	INPUT SHAFT, Transmission
5	8350 6078	1			ER0	DDQ	NEEDLE BEARING, Input Shaft
6	4897 052AA	1			ER0	DDQ	STOP RING, Synchronizer
7							SNAP RING
	8350 6086	1			ER0	DDQ	STAMPED A (X=1.80nn/1.85mm)
	8350 6087	1			ER0	DDQ	STAMPED B (X=1.85nn/1.90mm)
	8350 6088	1			ER0	DDQ	STAMPED C (X=1.90mm/1.95mm)
	8350 6089	1			ER0	DDQ	STAMPED D (X=2.00mm/2.05mm)
	8350 6090	1			ER0	DDQ	STAMPED E (X=2.00mm/2.05mm)
	8350 6091	1			ER0	DDQ	STAMPED F (X=2.05mm/2.10mm)
	8350 6092	1			ER0	DDQ	STAMPED G (X=2.10mm/2.15mm)
8	8350 6255	1			ER0	DDQ	SPRING, Synchronizer Key
9	8350 6248	1			ER0	DDQ	HUB, Synchronizer
10	8350 6251	1			ER0	DDQ	KEY, Synchronizer
11	4897 050AA	1			ER0	DDQ	SLEEVE, Synchronizer
12	4897 047AA	1			ER0	DDQ	GEAR, Third
13	8350 6077	1			ER0	DDQ	NEEDLE BEARING, Third Gear
14	8350 6243	1			ER0	DDQ	SHAFT, Output
15	8350 6076	1			ER0	DDQ	NEEDLE BEARING, Second Gear
16	4636 369	1			ER0	DDQ	GEAR, Second
17	8350 6252	1			ER0	DDQ	STOP RING, Synchronizer
18	8350 6254	1			ER0	DDQ	SPRING, Synchronizer Key
19	8350 6247	1			ER0	DDQ	HUB, Synchronizer
20	8350 6250	1			ER0	DDQ	KEY, Synchronizer
21							SNAP RING
	8350 6093	1			ER0	DDQ	STAMPED B (X=2.35mm/2.40mm)
	8350 6094	1			ER0	DDQ	STAMPED C (X=2.40mm/2.45mm)
	8350 6095	1			ER0	DDQ	STAMPED D (X=2.45mm/2.50mm)
	8350 6096	1			ER0	DDQ	STAMPED E (X=2.50mm/2.55mm)
	8350 6097	1			ER0	DDQ	STAMPED F (X=2.55mm/2.60mm)

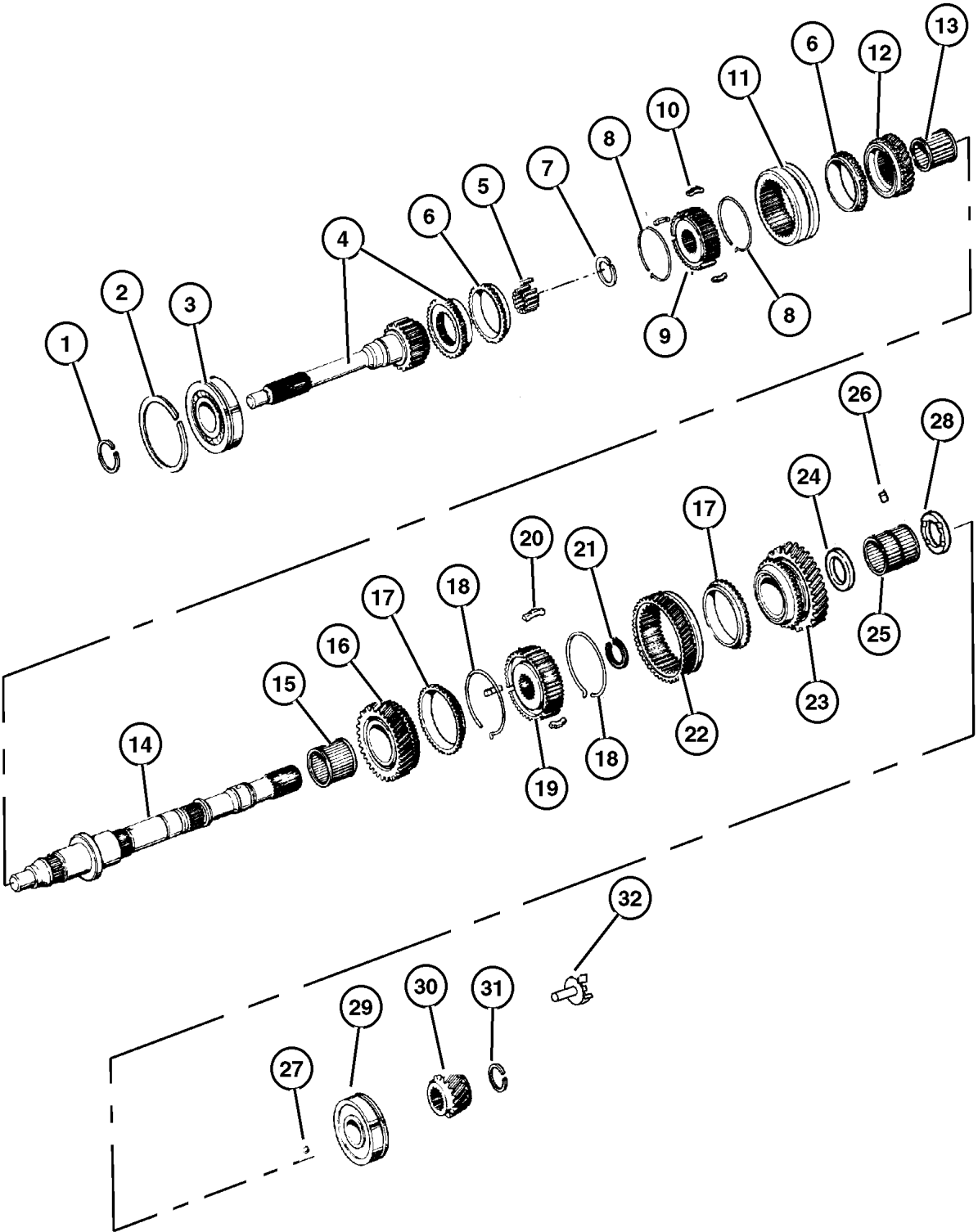
JEEP WRANGLER (TJ)

SERIES	LINE	BODY	ENGINE	TRANSMISSION
L=Low Line	J = Wrangler 4WD U = Wrangler 4WD (RHD)	77 = 93.4 WB	EPE, EP0 = 2.5L Power Tech ERH, ER0 = 4.0L Power Tech	DGG, DGD = 32RH 3 Spd. Auto. DDQ = 5 Spd. Manual DGO = All Auto. Trans. DBB =All Manual Trans.

AR = Use as required - = Non illustrated part # = New this model year

June 7, 2002

Gear Train AX15 (DDQ) 1999 TJ
Figure AISIN-415

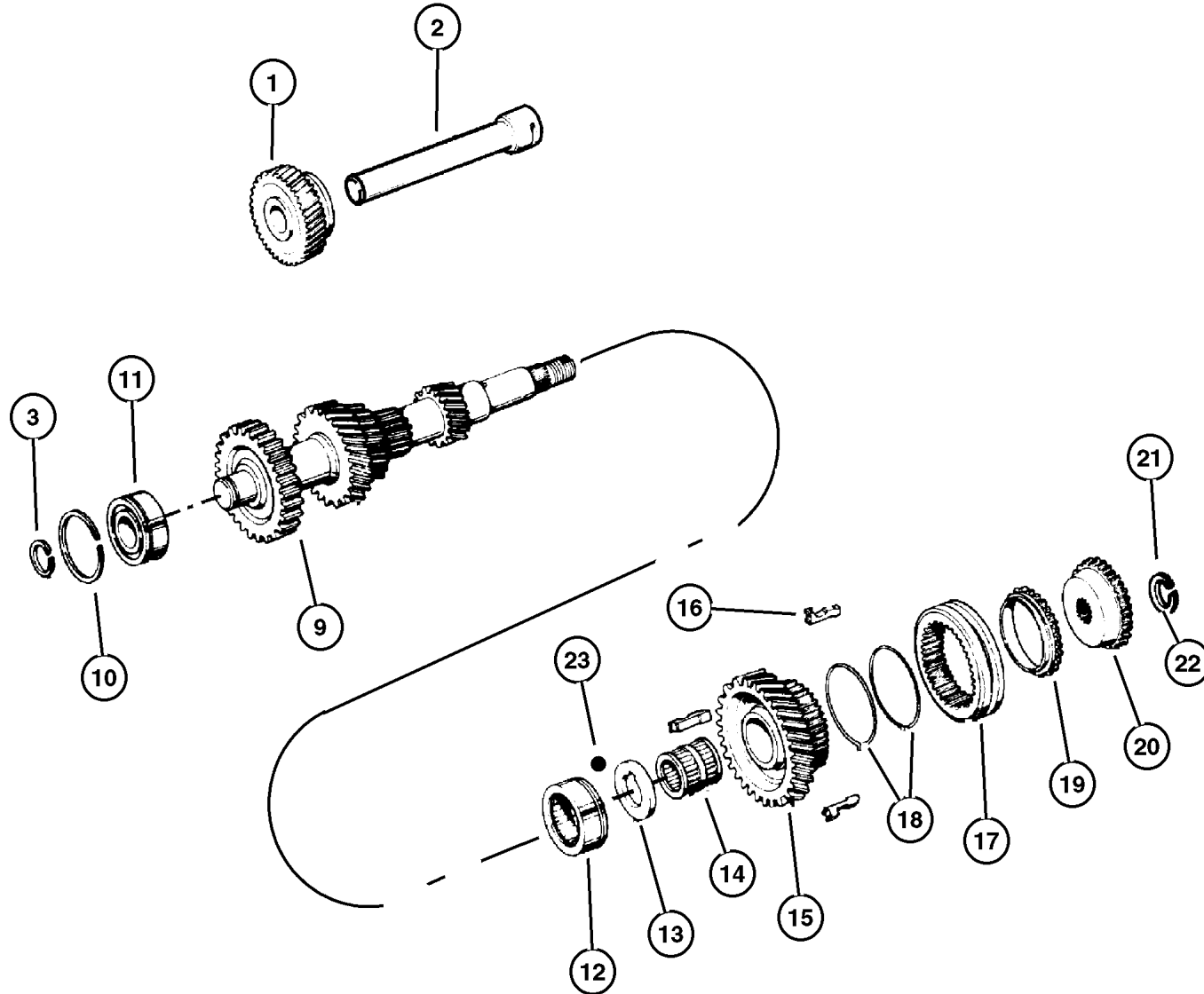


ITEM	PART NUMBER	QTY	LINE	SERIES	ENGINE	TRANS	DESCRIPTION
	8350 6098	1			ER0	DDQ	STAMPED G (X=2.60mm/2.65mm)
22	5252 082	1			ER0	DDQ	GEAR, Reverse
23	4636 368	1			ER0	DDQ	GEAR, First
24	8350 6280	1			ER0	DDQ	SPACER, Output Shaft
25	8350 6075	1			ER0	DDQ	NEEDLE BEARING, First Gear
26	8350 6008	1			ER0	DDQ	PIN, Mainshaft
27	8350 0573	1			ER0	DDQ	BALL, Reverse
28	8350 6246	1			ER0	DDQ	THRUST WASHER, First Gear
29	8350 6074	1			ER0	DDQ	BEARING, Input Shaft
30	5252 083	1			ER0	DDQ	GEAR, Fifth
31							SNAP RING
	8350 6268	1			ER0	DDQ	STAMPED A (X=2.75mm/2.80mm)
	8350 6269	1			ER0	DDQ	STAMPED B (X=2.80mm/2.85mm)
	8350 6270	1			ER0	DDQ	STAMPED C (X=2.85mm/2.90mm)
	8350 6271	1			ER0	DDQ	STAMPED D (X=2.90mm/2.95mm)
	8350 6272	1			ER0	DDQ	STAMPED E (X=2.95mm/3.00mm)
	8350 6273	1			ER0	DDQ	STAMPED F (X=3.00mm/3.05mm)
	8350 6274	1			ER0	DDQ	STAMPED G (X=3.05mm/3.10mm)
	8350 6275	1			ER0	DDQ	STAMPED H (X=3.10mm/3.15mm)
	8350 6276	1			ER0	DDQ	STAMPED I (X=3.15mm/3.20mm)
	8350 6277	1			ER0	DDQ	STAMPED J (X=3.20mm/3.25mm)
	8350 6278	1			ER0	DDQ	STAMPED K (X=3.25mm/3.30mm)
	8350 6279	1			ER0	DDQ	STAMPED L (X=3.30mm/3.35mm)
32	8350 0646	1			ER0	DDQ	PIPE, Oil Receiver

JEEP WRANGLER (TJ)

SERIES	LINE	BODY	ENGINE	TRANSMISSION
L=Low Line	J = Wrangler 4WD U = Wrangler 4WD (RHD)	77 = 93.4 WB	EPE, EP0 = 2.5L Power Tech ERH, ER0 = 4.0L Power Tech	DGG, DGD = 32RH 3 Spd. Auto. DDQ = 5 Spd. Manual DG0 = All Auto. Trans. DBB =All Manual Trans.

Gear Train AX15 (DDQ) 1997 TJ 1998 TJ
Figure AISIN-420



ITEM	PART NUMBER	QTY	LINE	SERIES	ENGINE	TRANS	DESCRIPTION
Note: J=Dana 35 Rear Axle---DRK=Dana 44 Rear Axle							
ENO = All 4 Cyl Turbo Diesel Engines J=Dana 35 Rear Axle---DRK=Dana 44 Rear Axle							
EPE = 2.5L SMPI Magnum 4 Cyl Engine J=Dana 35 Rear Axle---DRK=Dana 44 Rear Axle							
EPO = All 2.5L 4 Cyl Gas Engines J=Dana 35 Rear Axle---DRK=Dana 44 Rear Axle							
ERH = 4.0L Power Tech Engine J=Dana 35 Rear Axle---DRK=Dana 44 Rear Axle							
ER0 = All 4.0L 6 Cyl Gas Engines J=Dana 35 Rear Axle---DRK=Dana 44 Rear Axle							
DDQ = Manual Transmission 5 Speed J=Dana 35 Rear Axle---DRK=Dana 44 Rear Axle							
DBB = All Manual Transmissions J=Dana 35 Rear Axle---DRK=Dana 44 Rear Axle							
1							GEAR, Reverse Idler
	4897 102AA	1			EPO	DDQ	1998 TJ
	5252 084	1			ER0	DDQ	
		1			ENO	DBB	1997 TJ
2							IDLER SHAFT, Transmission
	4897 104AA	1			EPO	DDQ	1998 TJ
	8350 6258	1			ER0	DDQ	
		1			ENO	DBB	1997 TJ
3							SNAP RING
	8350 0645	1			EPO	DDQ	Stamped 0 (x=2.05mm/2.10mm), 1998 TJ
	8350 6081	1			ER0	DDQ	Stamped A (X=2.00MM/2.05MM), 1997 TJ
		1			ENO	DBB	Stamped A (X=2.00MM/2.05MM), 1997 TJ
	8350 6082	1			ER0	DDQ	Stamped B (X=2.05MM/2.10MM), 1997 TJ
		1			ENO	DBB	Stamped B (X=2.05MM/2.10MM), 1997 TJ
	8350 6083	1			ER0	DDQ	Stamped C (X=2.10MM/2.15MM), 1997 TJ
		1			ENO	DBB	Stamped C (X=2.10MM/2.15MM), 1997 TJ
	8350 6084	1			ER0	DDQ	Stamped D (X=2.15MM/2.20MM), 1997 TJ
		1			ENO	DBB	Stamped D (X=2.15MM/2.20MM), 1997 TJ
	8350 6085	1			ER0	DDQ	Stamped E (X=2.20MM/2.25MM), 1997 TJ
		1			ENO	DBB	Stamped E (X=2.20MM/2.25MM), 1997 TJ
	8350 6099	1			ER0	DDQ	Stamped A (x=2.10mm/2.15mm), 1998 TJ
	8350 6214	1			ER0	DDQ	Stamped B (x=2.15mm/2.20mm), 1998 TJ
	8350 6215	1			ER0	DDQ	Stamped C (x=2.20mm/2.25mm), 1998 TJ
	8350 6216	1			ER0	DDQ	Stamped D (x= 2.25mm/2.30mm), 1998 TJ
	8350 6217	1			ER0	DDQ	Stamped E (x=2.30mm/2.35mm), 1998 TJ
	8350 6218	1			ER0	DDQ	Stamped F (x=2.35mm/2.40mm), 1998 TJ
	8350 6219	1			ER0	DDQ	Stamped G (x=2.40mm/2.45mm), 1998 TJ
-4	8350 0607	1			EPO	DDQ	SNAP RING, Input Shaft, 2.10mm
-5	8350 0608	1			EPO	DDQ	SNAP RING, Input Shaft, 2.15mm
-6	8350 0609	1			EPO	DDQ	SNAP RING, Input Shaft, 2.20mm
-7	8350 0610	1			EPO	DDQ	SNAP RING, Input Shaft, 2.25mm
-8	8350 0611	1			EPO	DDQ	SNAP RING, Input Shaft, 2.30mm
9							GEAR, Countershaft
	4636 371	1			ER0	DDQ	
	4796 003	1			ENO	DBB	1997 TJ

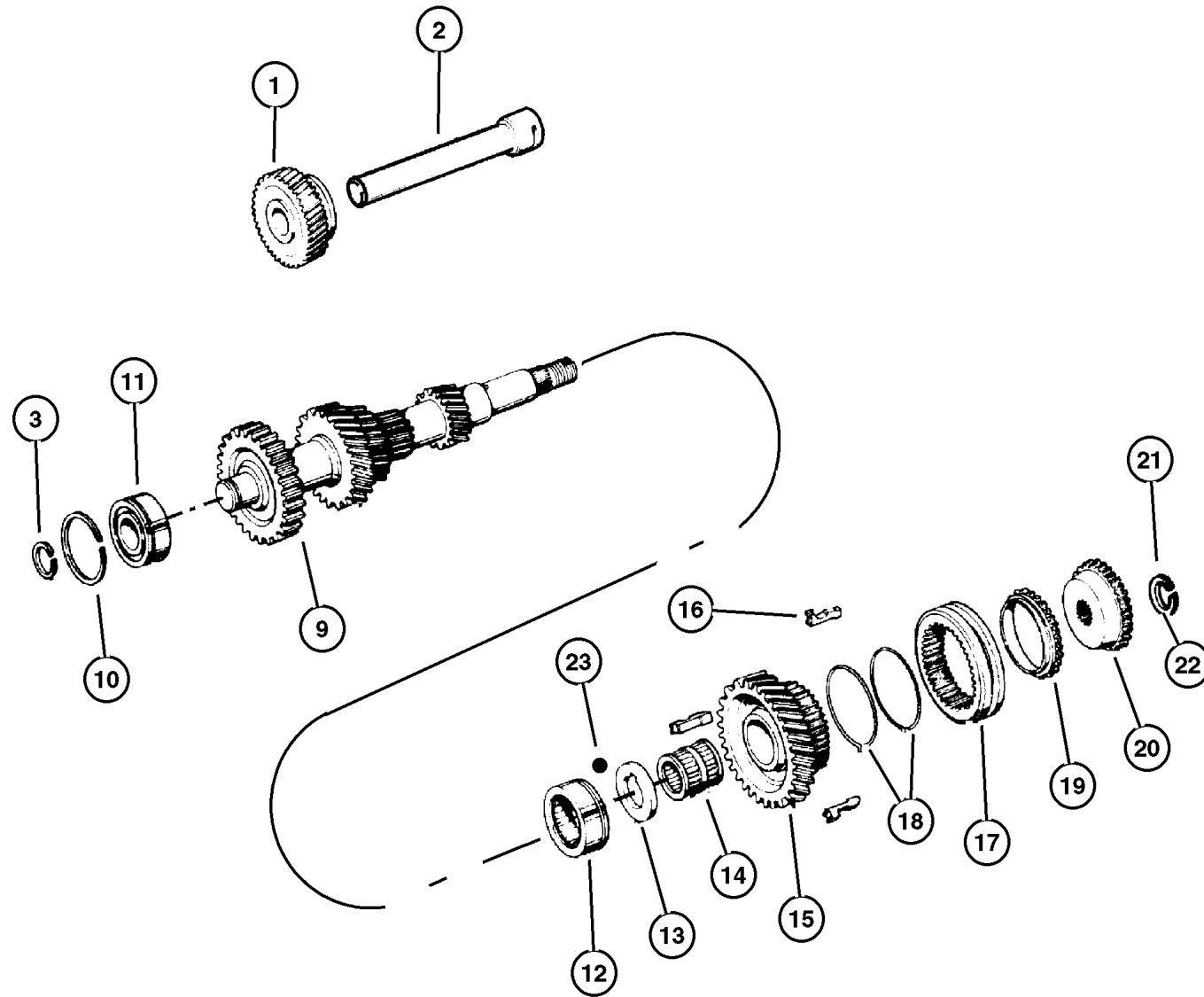
JEEP WRANGLER (TJ)

SERIES	LINE	BODY	ENGINE	TRANSMISSION
L=Low Line	J = Wrangler 4WD U = Wrangler 4WD (RHD)	77 = 93.4 WB	EPE, EPO = 2.5L Power Tech ERH, ER0 = 4.0L Power Tech	DGG, DGD = 32RH 3 Spd. Auto. DDQ = 5 Spd. Manual DGO = All Auto. Trans. DBB =All Manual Trans.

AR = Use as required - = Non illustrated part # = New this model year

June 7, 2002

Gear Train AX15 (DDQ) 1997 TJ 1998 TJ
Figure AISIN-420



ITEM	PART NUMBER	QTY	LINE	SERIES	ENGINE	TRANS	DESCRIPTION
	4897 103AA	1			EPO	DDQ	1998 TJ
10							SNAP RING
	8350 0614	1			EPO	DDQ	1998 TJ
	8350 6220	1			ER0	DDQ	Center Front Bearing, Case, 1997 TJ
		1			EN0	DBB	Center Front Bearing, Case, 1997 TJ
11	8350 6222	1			ER0	DDQ	1998 TJ
							BEARING, Countershaft
	8350 6259	1			ER0	DDQ	Front Roller, No. 1 (53mmODx24mmWD), 1997 TJ
		1			EN0	DBB	Front Roller, No. 1 (53mmODx24mmWD), 1997 TJ
		1			ER0	DDQ	1998 TJ
12							NEEDLE BEARING, Countershaft
	8350 6080	1			ER0	DDQ	(64mmODx22mmWD), 1997 TJ
		1			EN0	DBB	(64mmODx22mmWD), 1997 TJ
		1			ER0	DDQ	1998 TJ
13							THRUST WASHER, Fifth Gear
	8350 6245	1			ER0	DDQ	
		1			EN0	DBB	1997 TJ
14							NEEDLE BEARING, Fifth Gear
	8350 0644	1			EPO	DDQ	1998 TJ
	8350 6079	1			ER0	DDQ	(34.85mmODx37.5mmWD), 1997 TJ
		1			EN0	DBB	(34.85mmODx37.5mmWD), 1997 TJ
		1			ER0	DDQ	1998 TJ
15							GEAR, Countershaft Fifth
	4637 527	1			ER0	DDQ	
		1			EN0	DBB	1997 TJ
16	8350 6022	1			EPO	DDQ	1998 TJ
							KEY, Synchronizer
	4637 532	3			ER0	DDQ	1997 TJ
		3			EN0	DBB	1997 TJ
	8350 0641	3			EPO		1998 TJ
17							SLEEVE, Synchronizer
	4746 657	1			EPO	DDQ	1998 TJ
	8350 6257	1			ER0	DDQ	No. 3, 5th Gear, 1997 TJ
		1			EN0	DBB	No. 3, 5th Gear, 1997 TJ
		1			ER0	DDQ	1998 TJ
18							SPRING, Synchronizer
	4637 534	2			ER0	DDQ	No. 3, 5th Gear, 1997 TJ
		2			EN0	DBB	No. 3, 5th Gear, 1997 TJ
	8350 0568	4			EPO		1998 TJ
19							STOP RING, Synchronizer
	4637 533	1			ER0	DDQ	No. 3, 5th Gear, 1997 TJ
		1			EN0	DBB	No. 3, 5th Gear, 1997 TJ
	8350 0566	3			EPO		1998 TJ

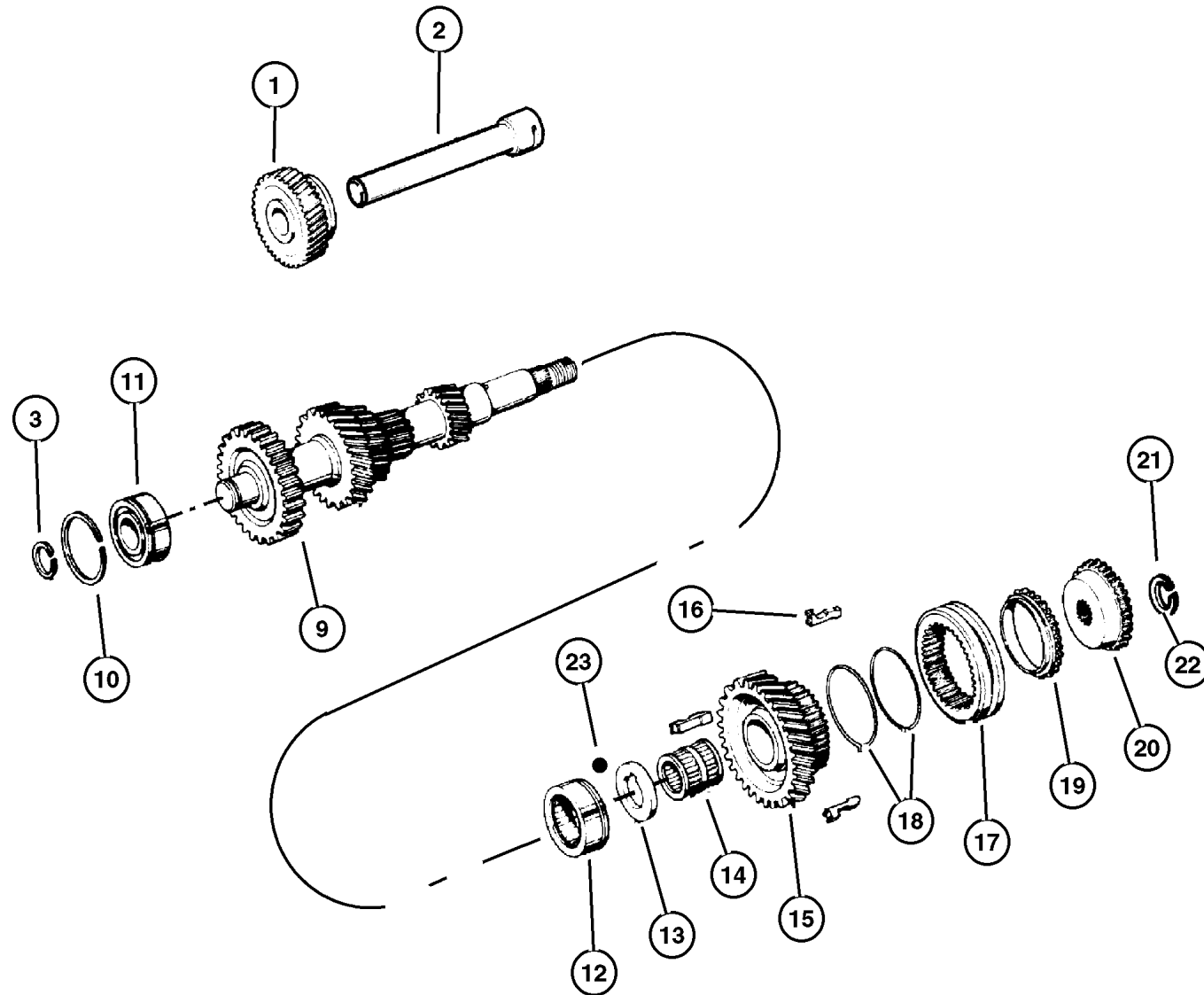
JEEP WRANGLER (TJ)

SERIES	LINE	BODY	ENGINE	TRANSMISSION
L=Low Line	J = Wrangler 4WD U = Wrangler 4WD (RHD)	77 = 93.4 WB	EPE, EP0 = 2.5L Power Tech ERH, ER0 = 4.0L Power Tech	DGG, DGD = 32RH 3 Spd. Auto. DDQ = 5 Spd. Manual DG0 = All Auto. Trans. DBB =All Manual Trans.

AR = Use as required - = Non illustrated part # = New this model year

June 7, 2002

Gear Train AX15 (DDQ) 1997 TJ 1998 TJ
Figure AISIN-420



ITEM	PART NUMBER	QTY	LINE	SERIES	ENGINE	TRANS	DESCRIPTION
20	8350 6252	2			ER0	DDQ	1998 TJ
							GEAR, Fifth Splined
	8350 6024	1			EPO	DDQ	1998 TJ
	8350 6242	1			ER0	DDQ	1998 TJ
21		1			EN0	DBB	1997 TJ
							SNAP RING
	8350 6260	1			ER0	DDQ	Stamped A (X=280MM/2.85MM), 1997 TJ
		1			EN0	DBB	Stamped A (X=280MM/2.85MM), 1997 TJ
	8350 6261	1			ER0	DDQ	Stamped B (X=2.85MM/2.90MM), 1997 TJ
		1			EN0	DBB	Stamped B (X=2.85MM/2.90MM), 1997 TJ
	8350 6262	1			ER0	DDQ	Stamped C (X=2.90MM/2.95MM), 1997 TJ
		1			EN0	DBB	Stamped C (X=2.90MM/2.95MM), 1997 TJ
	8350 6263	1			ER0	DDQ	Stamped D (X=2.95MM/3.00MM), 1997 TJ
		1			EN0	DBB	Stamped D (X=2.95MM/3.00MM), 1997 TJ
	8350 6264	1			ER0	DDQ	Stamped E (X=3.00MM/3.08MM), 1997 TJ
		1			EN0	DBB	Stamped E (X=3.00MM/3.08MM), 1997 TJ
	8350 6265	1			ER0	DDQ	Stamped F (X=3.05MM/3.10MM), 1997 TJ
		1			EN0	DBB	Stamped F (X=3.05MM/3.10MM), 1997 TJ
	8350 6266	1			ER0	DDQ	Stamped G (X=3.10MM/3.15MM), 1997 TJ
		1			EN0	DBB	Stamped G (X=3.10MM/3.15MM), 1997 TJ
	8350 6267	1			ER0	DDQ	Stamped H (X=3.15MM/3.20MM), 1997 TJ
		1			EN0	DBB	Stamped H (X=3.15MM/3.20MM), 1997 TJ
8350 6268	1			ER0	DDQ	Stamped C (x=2.75mm/2.80mm), 1998 TJ	
8350 6269	1			ER0	DDQ	Stamped D (x=2.80mm/2.85mm), 1998 TJ	
8350 6270	1			ER0	DDQ	Stamped E (X=2.85mm/2.90mm), 1998 TJ	
8350 6271	1			ER0	DDQ	Stamped F (x=2.90mm/2.95mm), 1998 TJ	
8350 6272	1			ER0	DDQ	Stamped G (x=2.95mm/3.00mm), 1998 TJ	
8350 6273	1			ER0	DDQ	Stamped H (x=3.00mm/3.05mm), 1998 TJ	
8350 6274	1			ER0	DDQ	Stamped J (x=3.05mm/3.10mm), 1998 TJ	
8350 6275	1			ER0	DDQ	Stamped K (x=3.10mm/3.15mm), 1998 TJ	
8350 6276	1			ER0	DDQ	Stamped L (x=3.15mm/3.20mm), 1998 TJ	
8350 6277	1			ER0	DDQ	Stamped M (x=3.20mm/3.25mm), 1998 TJ	
8350 6278	1			ER0	DDQ	Stamped N (x=3.25mm/3.30mm), 1998 TJ	
8350 6279	1			ER0	DDQ	Stamped P (x=3.30mm/3.35mm), 1998 TJ	
22							RING, Snap
	4874 503	1			EPO	DDQ	Stamped A (x=2.80mm/2.85mm)
	4874 504	1			EPO	DDQ	Stamped B (x=2.85mm/2.90mm)
	4874 505	1			EPO	DDQ	Stamped C (x=2.90mm/2.95mm)
	4874 506	1			EPO	DDQ	Stamped E (x=2.95mm/3.00mm)
	4874 507	1			EPO	DDQ	Stamped F (x=3.00mm/3.05mm)
	4874 508	1			EPO	DDQ	Stamped G (x=3.05mm/3.10mm)
4874 509	1			EPO	DDQ	Stamped H (x=3.10mm/3.15mm)	
23							BALL, Reverse

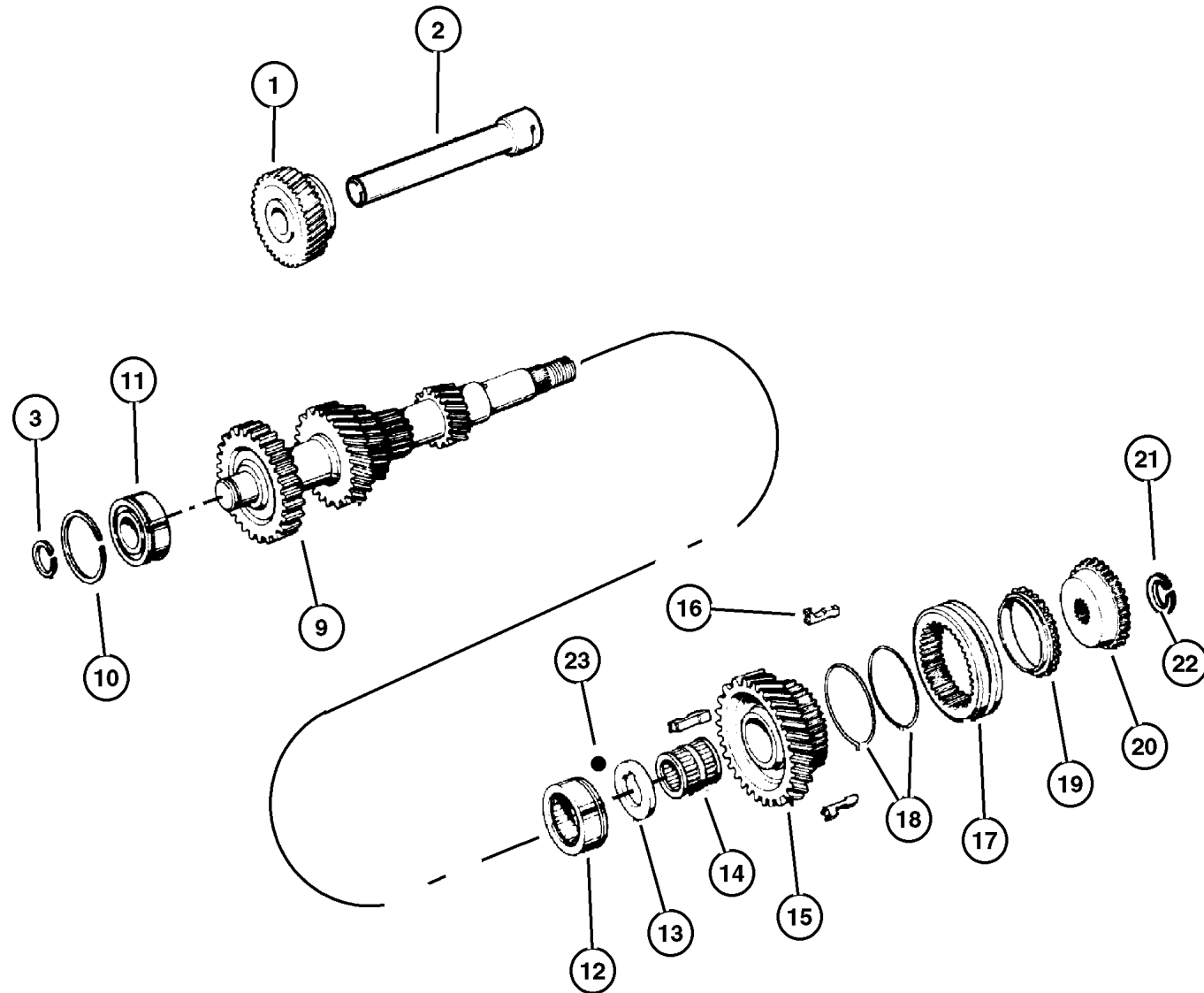
JEEP WRANGLER (TJ)

SERIES	LINE	BODY	ENGINE	TRANSMISSION
L=Low Line	J = Wrangler 4WD U = Wrangler 4WD (RHD)	77 = 93.4 WB	EPE, EPO = 2.5L Power Tech ERH, ER0 = 4.0L Power Tech	DGG, DGD = 32RH 3 Spd. Auto. DDQ = 5 Spd. Manual DG0 = All Auto. Trans. DBB =All Manual Trans.

AR = Use as required - = Non illustrated part # = New this model year

June 7, 2002

Gear Train AX15 (DDQ) 1997 TJ 1998 TJ
Figure AISIN-420



ITEM	PART NUMBER	QTY	LINE	SERIES	ENGINE	TRANS	DESCRIPTION
------	-------------	-----	------	--------	--------	-------	-------------

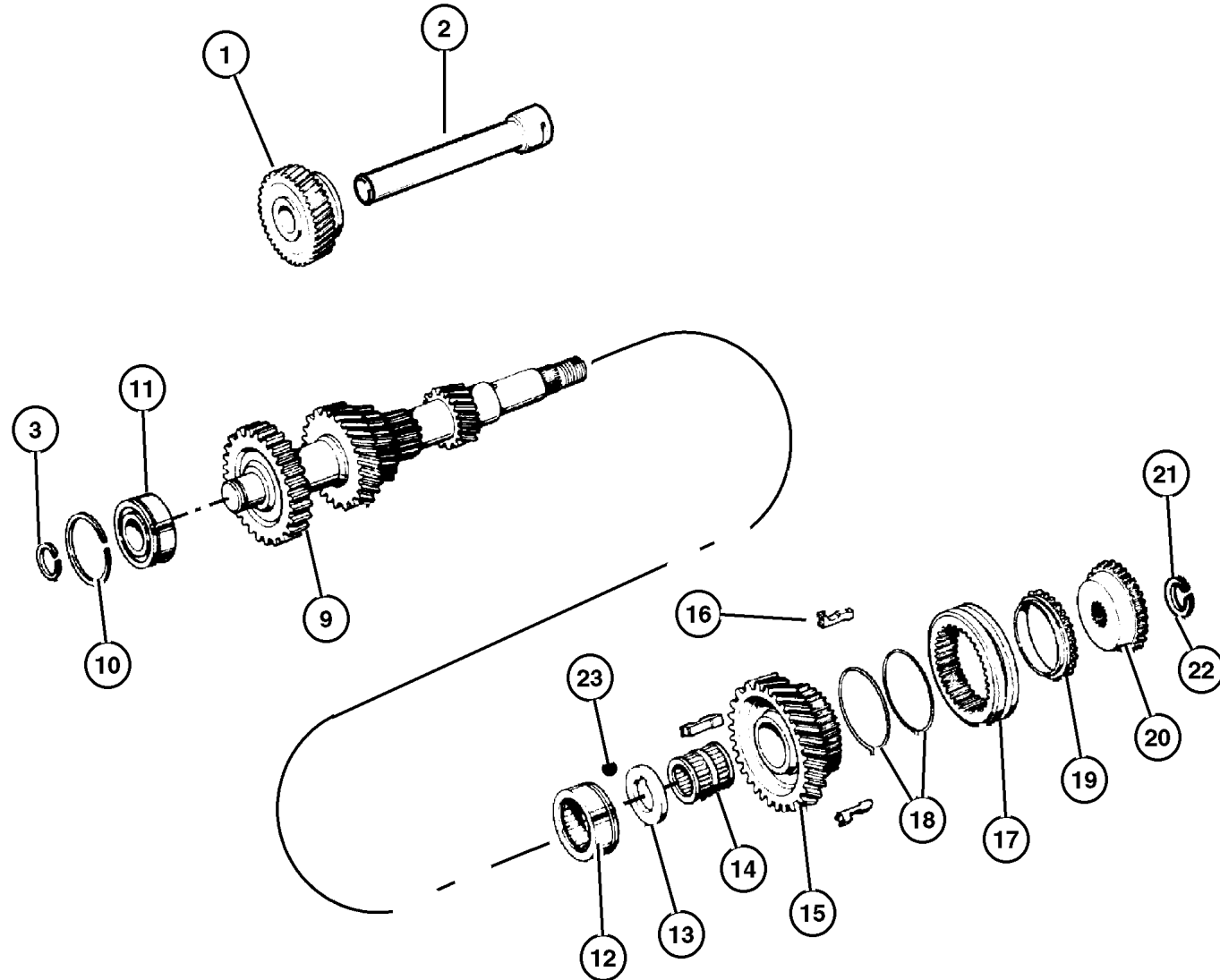
	8350 0573	1			ER0	DDQ	
		1			EPO	DDQ	1997 TJ
		2			EPO		1998 TJ

JEEP WRANGLER (TJ)		BODY	ENGINE	TRANSMISSION
SERIES	LINE			
L=Low Line	J = Wrangler 4WD U = Wrangler 4WD (RHD)	77 = 93.4 WB	EPE, EP0 = 2.5L Power Tech ERH, ER0 = 4.0L Power Tech	DGG, DGD = 32RH 3 Spd. Auto. DDQ = 5 Spd. Manual DG0 = All Auto. Trans. DBB =All Manual Trans.

AR = Use as required - = Non illustrated part # = New this model year

June 7, 2002

Reverse Idler AX 15 (DDQ) 1999 TJ
Figure AISIN-420



ITEM	PART NUMBER	QTY	LINE	SERIES	ENGINE	TRANS	DESCRIPTION
Note: J=Dana 35 Rear Axle---DRK=Dana 44 Rear Axle							
DDQ = 5 Speed Manual Transmission J=Dana 35 Rear Axle---DRK=Dana 44 Rear Axle							
EP0 = All 2.5L 4 Cyl Gas Engines J=Dana 35 Rear Axle---DRK=Dana 44 Rear Axle							
ER0 = All 4.0L 6 Cyl Gas Engines J=Dana 35 Rear Axle---DRK=Dana 44 Rear Axle							
1	5252 084	1			ER0	DDQ	GEAR, Reverse Idler
2	8350 6258	1			ER0	DDQ	IDLER SHAFT, Transmission
3							SNAP RING
	8350 6081	1			ER0	DDQ	STAMPED A (X=2.05mm/2.10mm)
	8350 6082	1			ER0	DDQ	STAMPED B (X=2.10mm/2.15mm)
	8350 6083	1			ER0	DDQ	STAMPED C (X=2.15mm/2.20mm)
	8350 6084	1			ER0	DDQ	STAMPED D (X=2.20mm/2.25mm)
	8350 6085	1			ER0	DDQ	STAMPED E (X=2.25mm/2.30mm)
-4	8350 0607	1			EP0	DDQ	SNAP RING, Input Shaft, 2.10mm
-5	8350 0608	1			EP0	DDQ	SNAP RING, Input Shaft, 2.15mm
-6	8350 0609	1			EP0	DDQ	SNAP RING, Input Shaft, 2.20mm
-7	8350 0610	1			EP0	DDQ	SNAP RING, Input Shaft, 2.25mm
-8	8350 0611	1			EP0	DDQ	SNAP RING, Input Shaft, 2.30mm
9	4636 371	1			ER0	DDQ	GEAR, Countershaft
10	8350 6220	1			ER0	DDQ	SNAP RING
11	8350 6259	1			ER0	DDQ	BEARING, Countershaft
12	8350 6080	1			ER0	DDQ	NEEDLE BEARING, Countershaft
13	8350 6245	1			ER0	DDQ	THRUST WASHER, Fifth Gear
14	8350 6079	1			ER0	DDQ	NEEDLE BEARING, Fifth Gear
15	4637 527	1			ER0	DDQ	GEAR, Countershaft Fifth
16	4637 532	1			ER0	DDQ	KEY, Synchronizer
17	8350 6257	1			ER0	DDQ	SLEEVE, Synchronizer
18	4637 534	1			ER0	DDQ	SPRING, Synchronizer
19	4637 533	1			ER0	DDQ	STOP RING, Synchronizer
20	8350 6242	1			ER0	DDQ	GEAR, Fifth Splined
21							SNAP RING
	8350 6260	1			ER0	DDQ	STAMPED A (X=2.80mm/2.85mm)
	8350 6261	1			ER0	DDQ	STAMPED B (X=2.85mm/2.90mm)
	8350 6262	1			ER0	DDQ	STAMPED C (X=2.90mm/2.95mm)
	8350 6263	1			ER0	DDQ	STAMPED D (X=2.95mm/3.00mm)
	8350 6264	1			ER0	DDQ	STAMPED E (X=3.00mm/3.05mm)
	8350 6265	1			ER0	DDQ	STAMPED F (X=3.05mm/3.10mm)
	8350 6266	1			ER0	DDQ	STAMPED G (X=3.05mm/3.15mm)
	8350 6267	1			ER0	DDQ	STAMPED H (X=3.154mm/3.20mm)
22							RING, Snap
	4874 503	AR			EP0	DDQ	STAMPED A (X=2.80mm/2.85mm)
	4874 504	AR			EP0	DDQ	STAMPED B (X=2.85mm/2.90mm)
	4874 505	AR			EP0	DDQ	STAMPED C (X=2.90mm/2.95mm)
	4874 506	AR			EP0	DDQ	STAMPED E (X= 2.95mm/3.00mm)

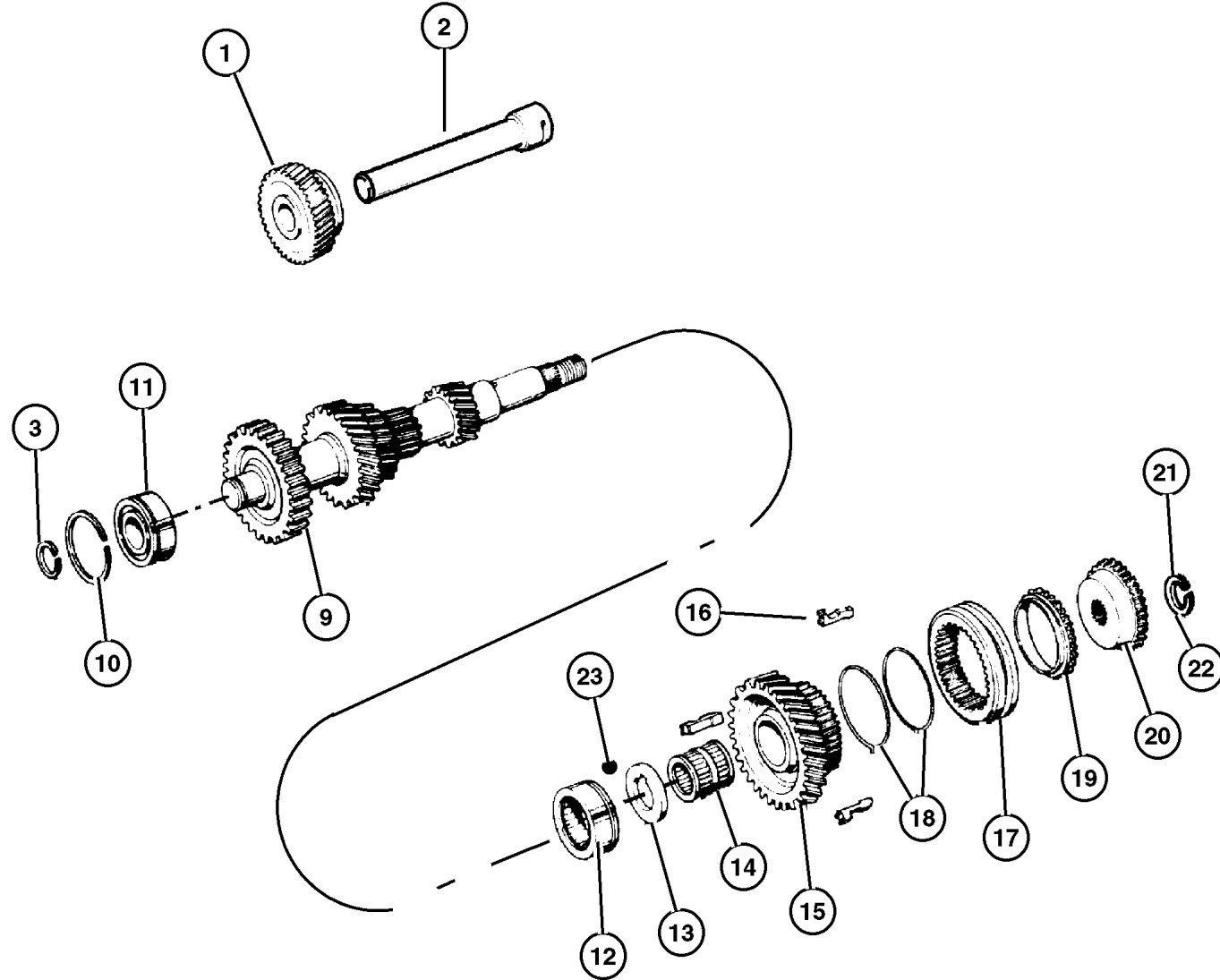
JEEP WRANGLER (TJ)

SERIES	LINE	BODY	ENGINE	TRANSMISSION
L=Low Line	J = Wrangler 4WD U = Wrangler 4WD (RHD)	77 = 93.4 WB	EPE, EP0 = 2.5L Power Tech ERH, ER0 = 4.0L Power Tech	DGG, DGD = 32RH 3 Spd. Auto. DDQ = 5 Spd. Manual DGO = All Auto. Trans. DBB =All Manual Trans.

AR = Use as required - = Non illustrated part # = New this model year

June 7, 2002

Reverse Idler AX 15 (DDQ) 1999 TJ
Figure AISIN-420



ITEM	PART NUMBER	QTY	LINE	SERIES	ENGINE	TRANS	DESCRIPTION
	4874 507	AR			EPO	DDQ	STAMPED F (X=3.00mm/3.05mm)
	4874 508	AR			EPO	DDQ	STAMPED G (X=3.05mm/3.10mm)
	4874 509	AR			EPO	DDQ	STAMPED H (X=3.10m/3.15mm)
23	8350 0573	1			ER0	DDQ	BALL, Reverse

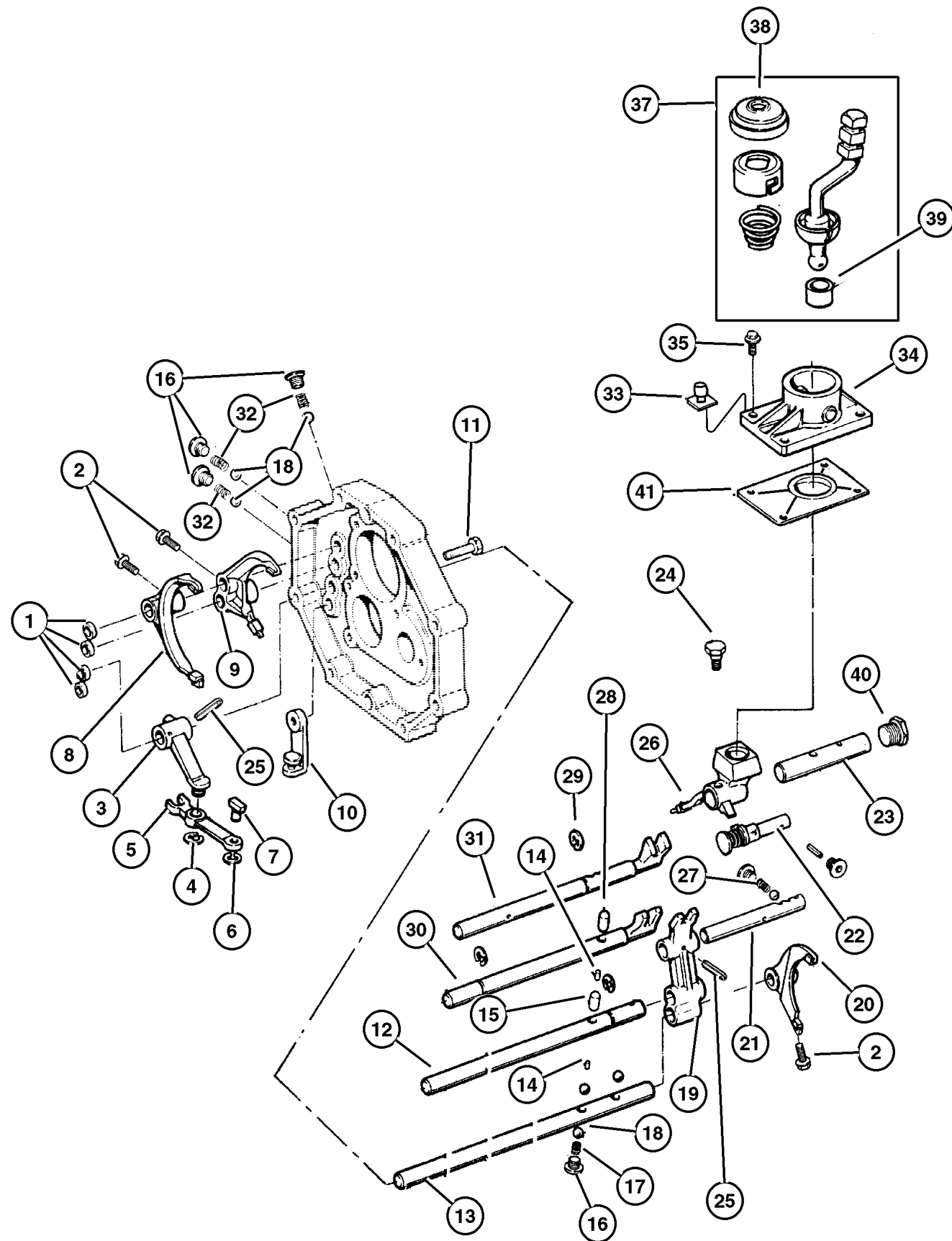
JEEP WRANGLER (TJ)

SERIES	LINE	BODY	ENGINE	TRANSMISSION
L=Low Line	J = Wrangler 4WD U = Wrangler 4WD (RHD)	77 = 93.4 WB	EPE, EP0 = 2.5L Power Tech ERH, ER0 = 4.0L Power Tech	DGG, DGD = 32RH 3 Spd. Auto. DDQ = 5 Spd. Manual DG0 = All Auto. Trans. DBB =All Manual Trans.

AR = Use as required - = Non illustrated part # = New this model year

June 7, 2002

Fork and Rails AX5 (DDQ) 1997 TJ
Figure AISIN-910



ITEM	PART NUMBER	QTY	LINE	SERIES	ENGINE	TRANS	DESCRIPTION
Note: J=Dana 35 Rear Axle---DRK=Dana 44 Rear Axle							
EPE = 2.5L SMPI Magnum 4 Cyl Engine J=Dana 35 Rear Axle---DRK=Dana 44 Rear Axle							
EPO = All 2.5L 4 Cyl Gas Engines J=Dana 35 Rear Axle---DRK=Dana 44 Rear Axle							
DDQ = Manual Transmission 5 Speed J=Dana 35 Rear Axle---DRK=Dana 44 Rear Axle							
1	8350 0503	4			EPO	DDQ	PLUG, Shift Rail
2	8350 2664	3			EPO		BOLT, Shift Fork
3	8350 0526	1			EPO	DDQ	FORK, Transmission, Reverse
4	8350 0548	1			EPO	DDQ	SNAP RING
5	8350 0529	1			EPO	DDQ	ARM, Reverse Shift
6	8350 0547	1			EPO	DDQ	SNAP RING
7	8350 3552	1			EPO	DDQ	SHOE, Shift Lever
8	4740 236	1			EPO	DDQ	FORK PACKAGE, Shift
9	8350 2662	1			EPO	DDQ	FORK, Transmission
10	8350 0531	1			EPO	DDQ	BRACKET, Reverse Arm
11	8350 0549	2			EPO	DDQ	BOLT, Bearing Retainer
12	4746 659	1			EPO	DDQ	SHAFT, Gear Shift Fork, Number 3
13	4746 660	1			EPO	DDQ	SHAFT, Gear Shift Fork, Number 4
14	8350 0537	2			EPO		PIN, Shift Shaft
15	8350 0541	1			EPO	DDQ	PIN, Interlock, 21.6mm
16	8350 3109	AR			EPO		PLUG, Transmission
17	8350 0638	1			EPO	DDQ	SPRING, Compression Shift
18	8350 0542	7			EPO		BALL, Gearshift Fork Lock
19	4746 658	1			EPO	DDQ	HEAD, Shifter Shaft
20	4746 656	1			EPO	DDQ	FORK, Transmission
21	8350 0536	2			EPO	DDQ	SHAFT, Selector
22	8350 0635	1			EPO	DDQ	PIN, Reverse
23	8350 0514	1			EPO	DDQ	SHAFT, Shift Lever
24	8350 6036	1			EPO	DDQ	BOLT
25	8350 0540	1			EPO	DDQ	PIN, Shift Shaft
26	8350 0636	1			EPO	DDQ	HOUSING, Shift Lever
27	8350 0544	1			EPO	DDQ	SPRING, Compression
28	8350 0543	1			EPO	DDQ	PIN, Interlock, 30.3mm
29	8350 6054	3			EPO	DDQ	SNAP RING
30	8350 6055	1			EPO	DDQ	SHAFT, Gear Shift Fork, Number 1
31	8350 6047	1			EPO	DDQ	SHAFT, Gear Shift Fork, Number 2
32	8350 0545	3			EPO	DDQ	SPRING, Compression Detent
33	4864 215	1			EPO	DDQ	CAP, Vent
34	4864 211	1			EPO	DDQ	RETAINER, Transmission
35	8350 3107	1			EPO	DDQ	BOLT
-36	8350 0525	2			EPO		BOLT AND LOCK WASHER, Hex Head, M8x1.25x30
37	4882 436	1			EPO	DDQ	LEVER, Gearshift
38	8350 0520	1			EPO	DDQ	BOOT, Gearshift

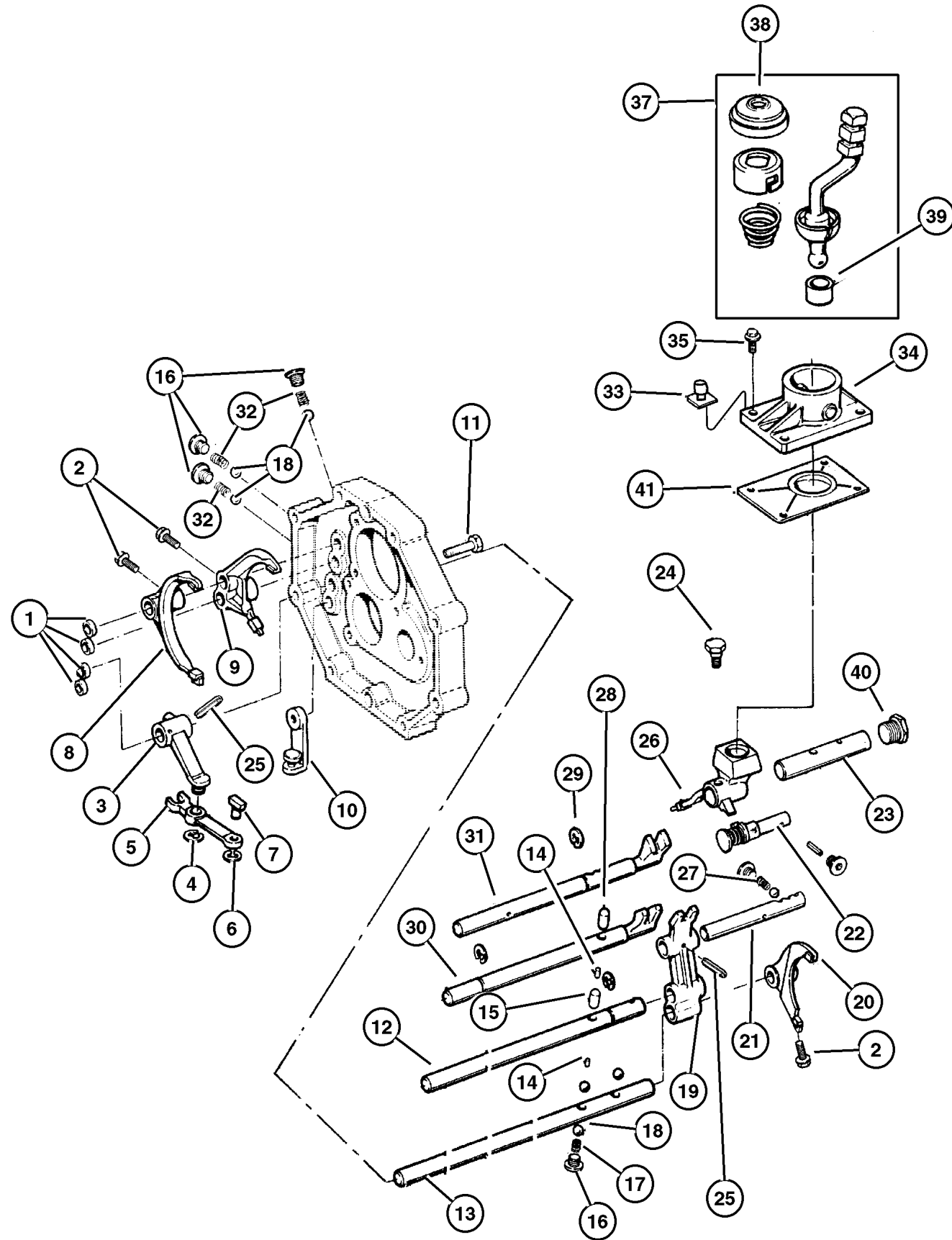
JEEP WRANGLER (TJ)

SERIES	LINE	BODY	ENGINE	TRANSMISSION
L=Low Line	J = Wrangler 4WD U = Wrangler 4WD (RHD)	77 = 93.4 WB	EPE, EPO = 2.5L Power Tech ERH, ER0 = 4.0L Power Tech	DGG, DGD = 32RH 3 Spd. Auto. DDQ = 5 Spd. Manual DGO = All Auto. Trans. DBB =All Manual Trans.

AR = Use as required - = Non illustrated part # = New this model year

June 7, 2002

Fork and Rails AX5 (DDQ) 1997 TJ
Figure AISIN-910



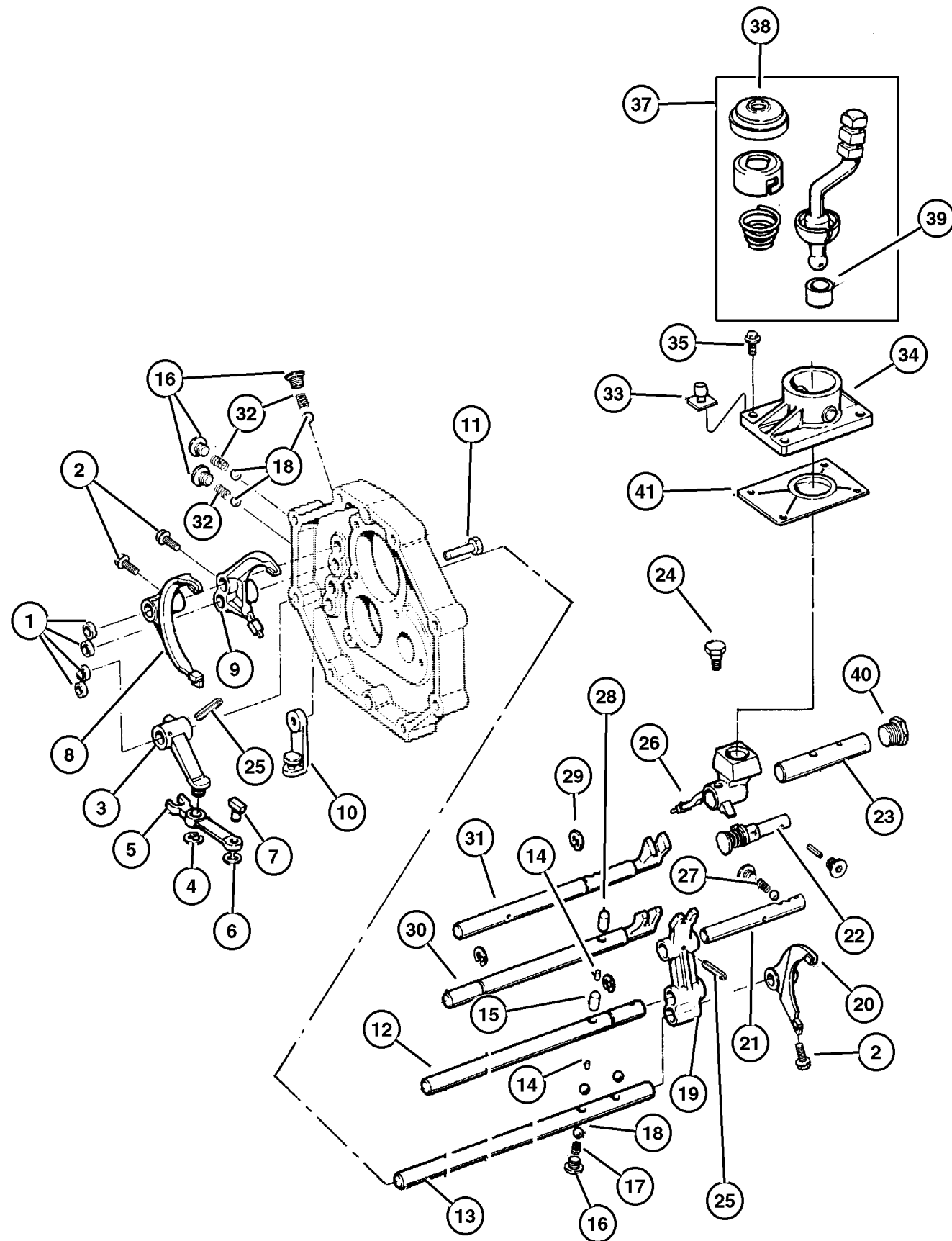
ITEM	PART NUMBER	QTY	LINE	SERIES	ENGINE	TRANS	DESCRIPTION
39	8350 0519	1			EPO	DDQ	BUSHING, Shift Lever
40	8350 3109	AR			EPO		CAP, Detent
41	4864 216	1			EPO	DDQ	SHIELD, Transmission

JEEP WRANGLER (TJ)		BODY	ENGINE	TRANSMISSION
SERIES	LINE	77 = 93.4 WB	EPE, EP0 = 2.5L Power Tech ERH, ER0 = 4.0L Power Tech	DGG, DGD = 32RH 3 Spd. Auto. DDQ = 5 Spd. Manual DG0 = All Auto. Trans. DBB = All Manual Trans.
L=Low Line	J = Wrangler 4WD U = Wrangler 4WD (RHD)			

AR = Use as required - = Non illustrated part # = New this model year

June 7, 2002

Fork and Rails AX5 (DDQ) 1998 TJ
Figure AISIN-910



ITEM	PART NUMBER	QTY	LINE	SERIES	ENGINE	TRANS	DESCRIPTION
Note: J=Dana 35 Rear Axle---DRK=Dana 44 Rear Axle							
EPE = 2.5L SMPI Magnum 4 Cyl Engine J=Dana 35 Rear Axle---DRK=Dana 44 Rear Axle							
EP0 = All 2.5L 4 Cyl Gas Engines J=Dana 35 Rear Axle---DRK=Dana 44 Rear Axle							
DDQ = Manual Transmission 5 Speed J=Dana 35 Rear Axle---DRK=Dana 44 Rear Axle							
1	8350 0503	4			EP0		PLUG, Shift Rail
2	8350 2664	3			EP0		BOLT, Shift Fork
3	8350 0526	1			EP0	DDQ	FORK, Transmission
4	8350 0548	1			EP0	DDQ	SNAP RING
5	4897 099AA	1			EP0	DDQ	ARM, Reverse Shift
6	8350 0547	1			EP0	DDQ	SNAP RING
7	4897 100AA	1			EP0	DDQ	SHOE, Shift Lever
8	4740 236	1			EP0	DDQ	FORK PACKAGE, Shift
9	8350 2662	1			EP0	DDQ	FORK, Transmission
10	8350 0531	1			EP0	DDQ	BRACKET, Reverse Arm
11	8350 0549	2			EP0		BOLT, Bearing Retainer
12	4746 659	1			EP0	DDQ	SHAFT, Gear Shift Fork, Number 3
13	4746 660	1			EP0	DDQ	SHAFT, Gear Shift Fork, Number 4
14	8350 0537	2			EP0		PIN, Shift Shaft
15	8350 0541	1			EP0	DDQ	PIN, Interlock, 21.6mm
16	8350 0524	AR			EP0		PLUG, Transmission
17	8350 0638	1			EP0	DDQ	SPRING, Compression Shift
18	8350 0542	7			EP0		BALL, Gearshift Fork Lock
19	4746 658	1			EP0	DDQ	HEAD, Shifter Shaft
20	4746 656	1			EP0	DDQ	FORK, Transmission
21	8350 0536	1			EP0	DDQ	SHAFT, Selector
22	8350 0635	1			EP0	DDQ	PIN, Reverse
23	8350 0514	1			EP0	DDQ	SHAFT, Shift Lever
24	8350 6036	1			EP0	DDQ	BOLT
25	8350 0540	AR			EP0	DDQ	PIN, Shift Shaft
26	8350 0636	1			EP0	DDQ	HOUSING, Shift Lever
27	8350 0544	1			EP0	DDQ	SPRING, Compression
28	8350 0543	1			EP0	DDQ	PIN, Interlock, 30.3mm
29	8350 6054	3			EP0		SNAP RING
30	4874 510	1			EP0	DDQ	SHAFT, Gear Shift Fork, Number 1
31	5252 068	1			EP0	DDQ	SHAFT, Gear Shift Fork, Number 2
32	8350 0545	3			EP0		SPRING, Compression Detent
33	4864 215	1			EP0	DDQ	CAP, Vent
34	4864 211	1			EP0	DDQ	RETAINER, Transmission
35	8350 0525	2			EP0	DDQ	BOLT
36	8350 3107	2			EP0	DDQ	BOLT AND LOCK WASHER, Hex Head, M8x1.25x30
37	4882 436	1			EP0	DDQ	LEVER, Gearshift
38	8350 0520	1			EP0	DDQ	BOOT, Gearshift

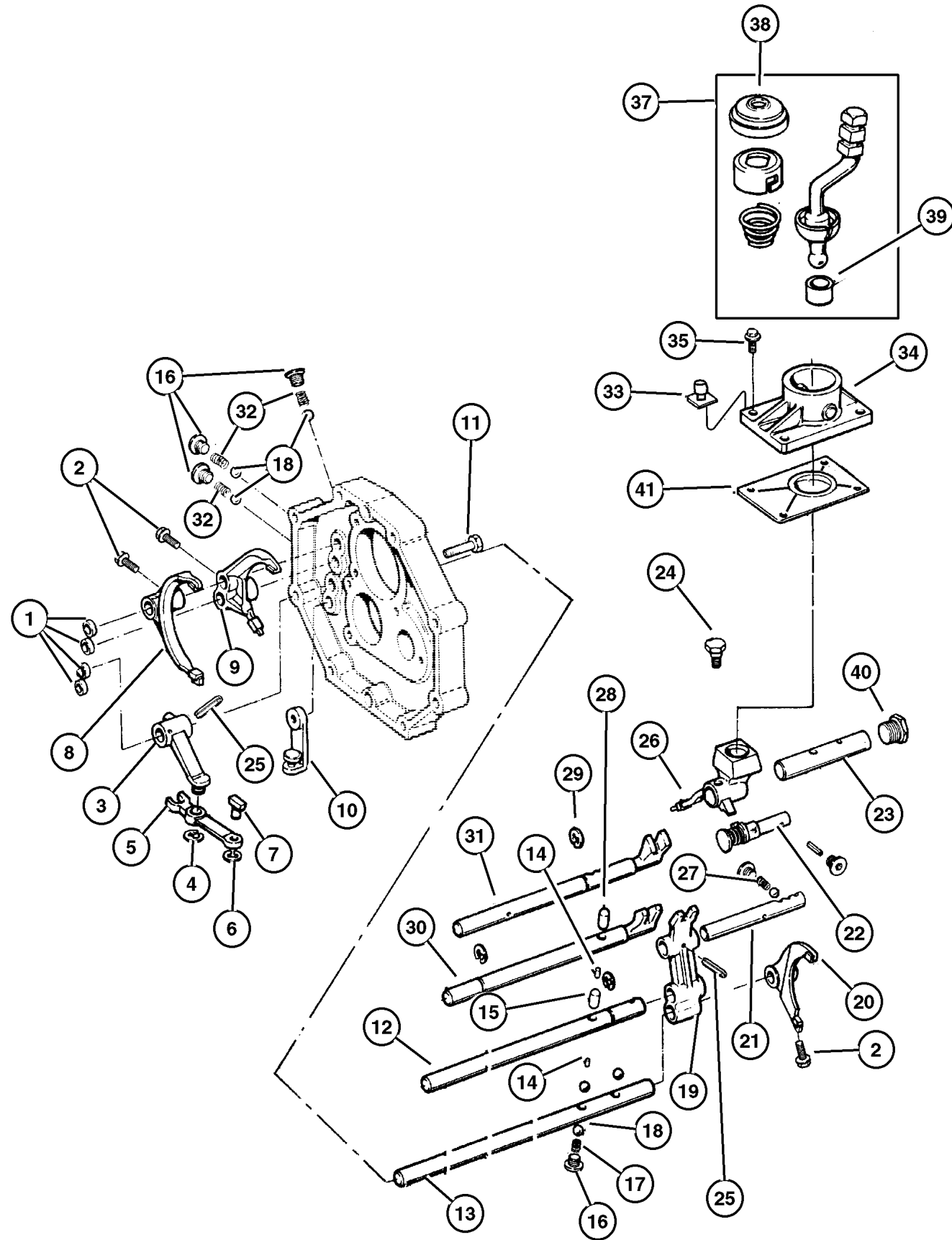
JEEP WRANGLER (TJ)

SERIES	LINE	BODY	ENGINE	TRANSMISSION
L=Low Line	J = Wrangler 4WD U = Wrangler 4WD (RHD)	77 = 93.4 WB	EPE, EP0 = 2.5L Power Tech ERH, ER0 = 4.0L Power Tech	DGG, DGD = 32RH 3 Spd. Auto. DDQ = 5 Spd. Manual DGO = All Auto. Trans. DBB =All Manual Trans.

AR = Use as required - = Non illustrated part # = New this model year

June 7, 2002

Fork and Rails AX5 (DDQ) 1998 TJ
Figure AISIN-910



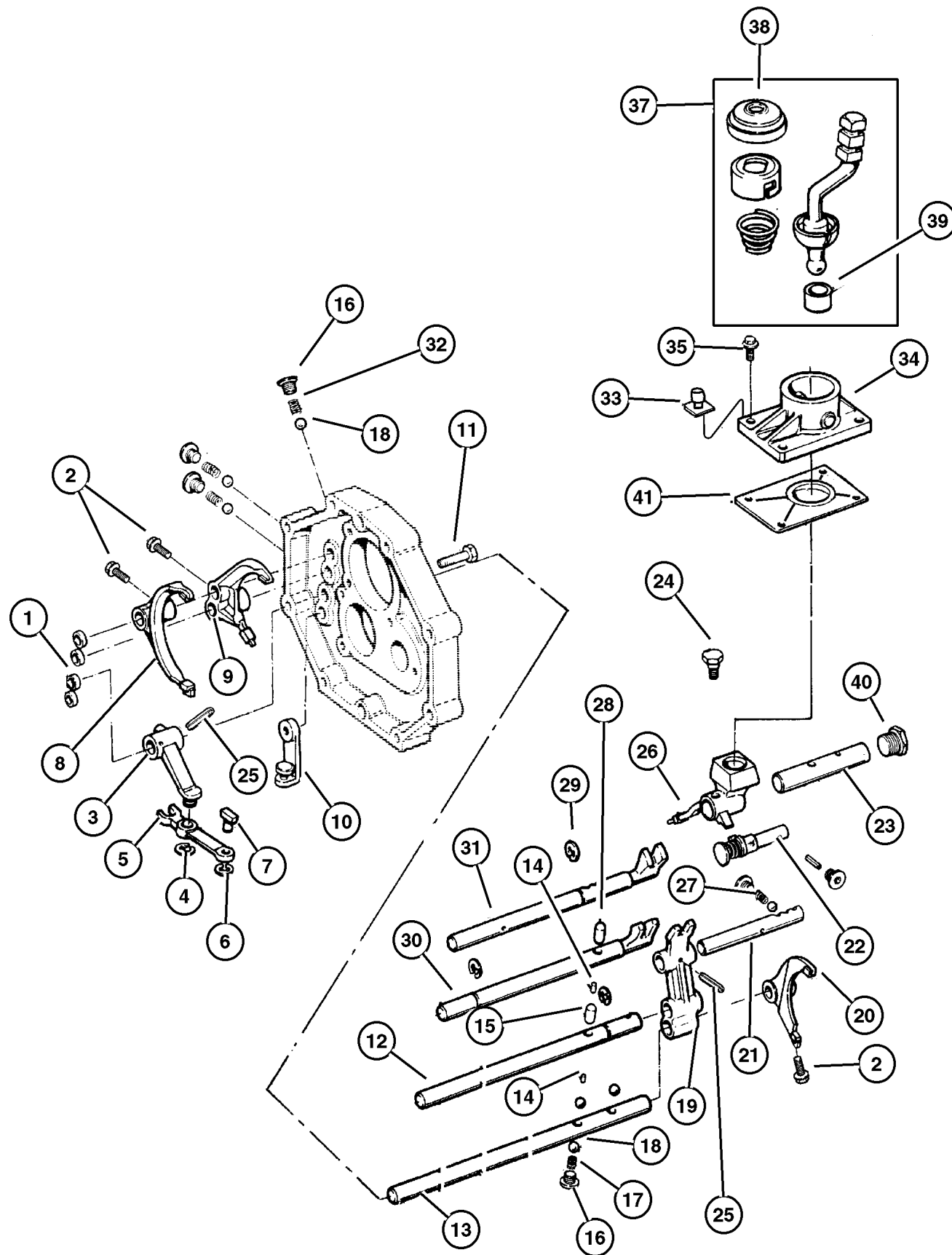
ITEM	PART NUMBER	QTY	LINE	SERIES	ENGINE	TRANS	DESCRIPTION
39	8350 0519	1			EPO	DDQ	BUSHING, Shift Lever
40	8350 3109	AR			EPO		CAP, Detent
41	4864 216	1			EPO	DDQ	SHIELD, Transmission

JEEP WRANGLER (TJ)		BODY	ENGINE	TRANSMISSION
SERIES	LINE	77 = 93.4 WB	EPE, EP0 = 2.5L Power Tech ERH, ER0 = 4.0L Power Tech	DGG, DGD = 32RH 3 Spd. Auto. DDQ = 5 Spd. Manual DG0 = All Auto. Trans. DBB = All Manual Trans.
L=Low Line	J = Wrangler 4WD U = Wrangler 4WD (RHD)			

AR = Use as required - = Non illustrated part # = New this model year

June 7, 2002

Forks AX5 (DDQ) 1999 TJ
Figure AISIN-910



ITEM	PART NUMBER	QTY	LINE	SERIES	ENGINE	TRANS	DESCRIPTION
Note: J=Dana 35 Rear Axle---DRK=Dana 44 Rear Axle							
DDK = 5 Speed Heavy Duty Manual Transmission J=Dana 35 Rear Axle---DRK=Dana 44 Rear Axle							
DDQ = 5 Speed Manual Transmission J=Dana 35 Rear Axle---DRK=Dana 44 Rear Axle							
EPE = 2.5L SMPI MAGNUM 4 Cyl Engine J=Dana 35 Rear Axle---DRK=Dana 44 Rear Axle							
EP0 = All 2.5L 4 Cyl Gas Engines J=Dana 35 Rear Axle---DRK=Dana 44 Rear Axle							
1	8350 0503	4			EP0	DDQ	PLUG, Shift Rail
2	8350 2664	3			EP0	DDQ	BOLT, Shift Fork
3	8350 0526	1			EP0	DDQ	FORK, Transmission
4	8350 0547	1			EP0	DDQ	SNAP RING
5	4897 099AA	1			EP0	DDQ	ARM, Reverse Shift
6	8350 0547	1			EP0	DDQ	SNAP RING
7	4897 100AA	1			EP0	DDQ	SHOE, Shift Lever
8	4740 236	1			EP0	DDQ	FORK PACKAGE, Shift
9	8350 2662	1			EP0	DDQ	FORK, Transmission
10	8350 0531	1			EP0	DDQ	BRACKET, Reverse Arm
11	8350 0549	2			EP0	DDQ	BOLT, Bearing Retainer
12	4746 659	1			EP0	DDQ	SHAFT, Gear Shift Fork, Number 3
13	4746 660	1			EP0	DDQ	SHAFT, Gear Shift Fork, Number 4
14	8350 0537	2			EP0	DDQ	PIN, Shift Shaft
15	8350 0541	1			EP0	DDQ	PIN, Interlock, 21.6mm
16	8350 0524	1			EP0	DDQ	PLUG, Transmission
17	8350 0638	1			EP0	DDQ	SPRING, Compression Shift
18	8350 0542	7			EP0	DDQ	BALL, Gearshift Fork Lock
19	4746 658	1			EP0	DDQ	HEAD, Shifter Shaft
20	4746 656	1			EP0	DDQ	FORK, Transmission
21	8350 0536	1			EP0	DDQ	SHAFT, Selector
22	8350 0515	1			EP0	DDQ	PIN, Reverse
23	8350 0514	1			EP0	DDQ	SHAFT, Shift Lever
24	8350 6036	1			EP0	DDQ	BOLT
25	8350 0540	1			EP0	DDQ	PIN, Shift Shaft
26	8350 0636	1			EP0	DDQ	HOUSING, Shift Lever
27	8350 0544	1			EP0	DDQ	SPRING, Compression
28	8350 0543	1			EP0	DDQ	PIN, Interlock, 30.3mm
29	8350 6054	1			EP0	DDQ	SNAP RING
30	8350 6055	1			EP0	DDQ	SHAFT, Selector
31	8350 6047	1			EP0	DDQ	SHAFT, Selector
32	8350 0545	3			EP0	DDQ	SPRING, Compression Detent
33	4864 215	1			EP0	DDQ	CAP, Vent
34	4864 211	1			EP0	DDQ	RETAINER, Transmission
35	8350 3107	2			EP0	DDQ	BOLT
36	8350 0525	2			EP0	DDQ	BOLT AND LOCK WASHER, Hex Head, M8x1.25x30
37	4882 436	1			EP0	DDQ	LEVER, Gearshift

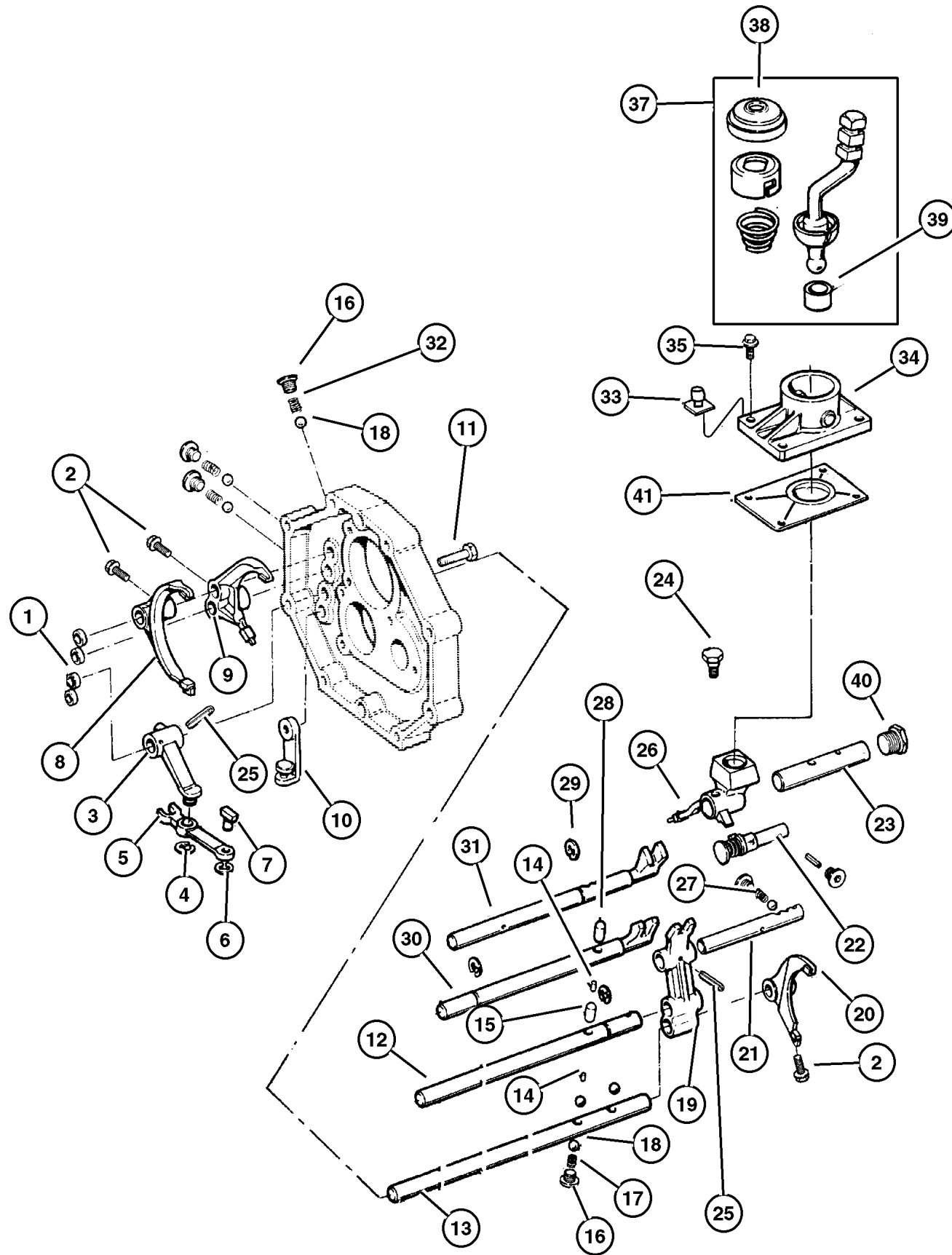
JEEP WRANGLER (TJ)

SERIES	LINE	BODY	ENGINE	TRANSMISSION
L=Low Line	J = Wrangler 4WD U = Wrangler 4WD (RHD)	77 = 93.4 WB	EPE, EP0 = 2.5L Power Tech ERH, ER0 = 4.0L Power Tech	DGG, DGD = 32RH 3 Spd. Auto. DDQ = 5 Spd. Manual DG0 = All Auto. Trans. DBB =All Manual Trans.

AR = Use as required - = Non illustrated part # = New this model year

June 7, 2002

Forks AX5 (DDQ) 1999 TJ
Figure AISIN-910



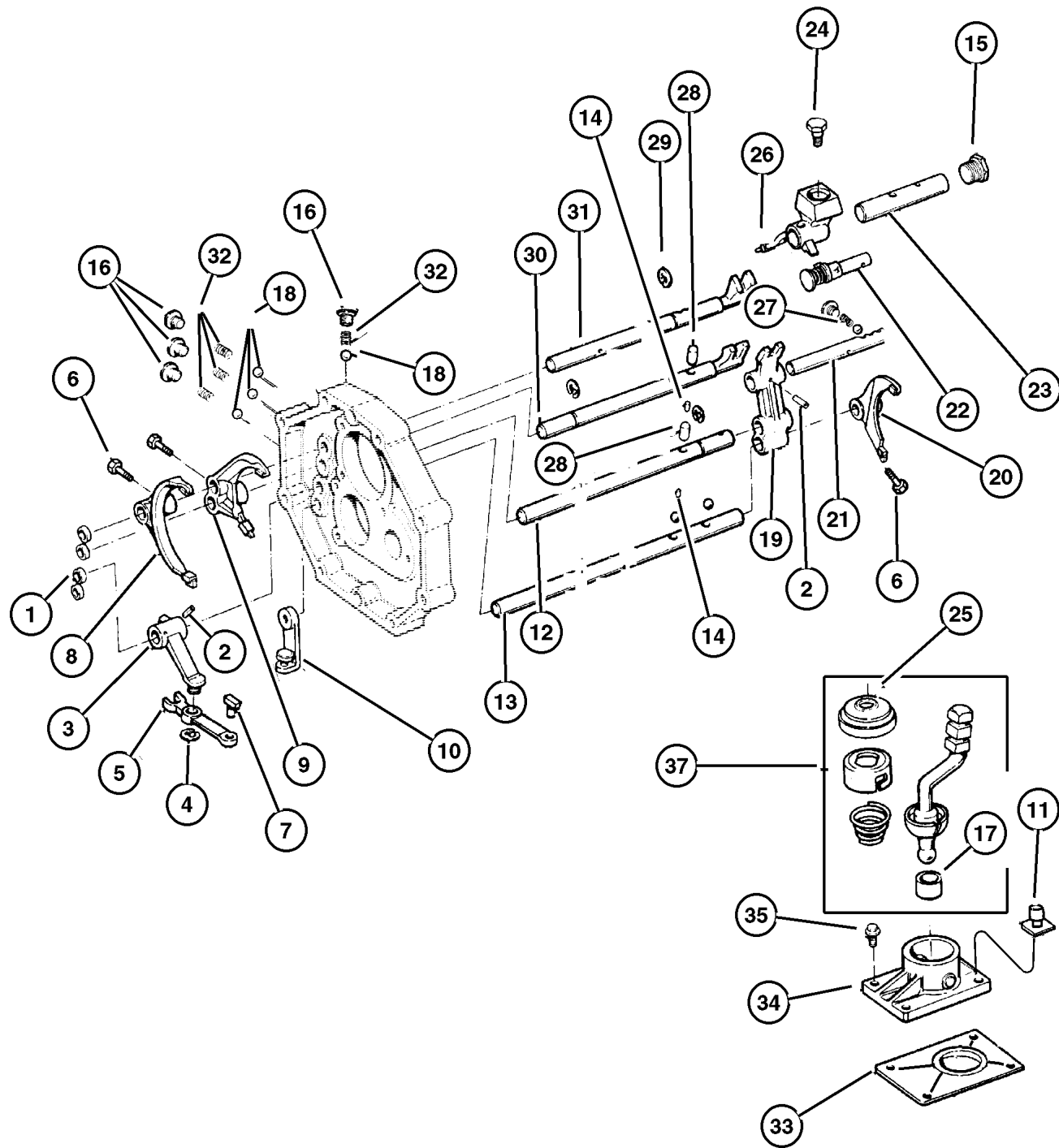
ITEM	PART NUMBER	QTY	LINE	SERIES	ENGINE	TRANS	DESCRIPTION
38	8350 0520	1			EPO	DDQ	BOOT, Gearshift
39	8350 0519	1			EPO	DDQ	BUSHING, Shift Lever
40	8350 3109	AR			EPO	DDQ	CAP, Detent
41	4864 216	1			EPO	DDQ	SHIELD, Transmission

JEEP WRANGLER (TJ)
 SERIES LINE BODY ENGINE TRANSMISSION
 L=Low Line J = Wrangler 4WD 77 = 93.4 WB EPE, EP0 = 2.5L Power Tech DGG, DGD = 32RH 3 Spd. Auto.
 U = Wrangler 4WD (RHD) ERH, ER0 = 4.0L Power Tech DDQ = 5 Spd. Manual
 DG0 = All Auto. Trans.
 DBB =All Manual Trans.

AR = Use as required - = Non illustrated part # = New this model year

June 7, 2002

Fork and Rails AX15 (DDQ) 1997 TJ
Figure AISIN-915



ITEM	PART NUMBER	QTY	LINE	SERIES	ENGINE	TRANS	DESCRIPTION
Note: J=Dana 35 Rear Axle---DRK=Dana 44 Rear Axle							
ERH = 4.0L Power Tech Engine J=Dana 35 Rear Axle---DRK=Dana 44 Rear Axle							
ER0 = All 4.0L 6 Cyl Gas Engines J=Dana 35 Rear Axle---DRK=Dana 44 Rear Axle							
DDQ = Manual Transmission 5 Speed J=Dana 35 Rear Axle---DRK=Dana 44 Rear Axle							
1	8350 0503	4			ER0	DDQ	PLUG, Shift Rail, Forks
2	8350 0540	2			ER0	DDQ	PIN, Shift Shaft
3	5252 056	1			ER0	DDQ	FORK, Transmission, Reverse
4	8350 0548	1			ER0	DDQ	SNAP RING
5	5252 060	1			ER0	DDQ	ARM, Reverse Shift
6	5252 214	3			ER0	DDQ	BOLT AND WASHER, Gear Shift Fork
7	5252 062	1			ER0	DDQ	SHOE, Shift Lever
8	5252 058	1			ER0	DDQ	FORK, Transmission, t No. 2
9	5252 057	1			ER0	DDQ	SHAFT, Shift Lever, Gear Shift No. 1
10	5252 063	1			ER0	DDQ	BRACKET, Reverse Shift Rod, Shift Arm
11	4864 223	1			ER0	DDQ	CAP, Vent
12	5252 070	1			ER0	DDQ	SHAFT, Gear Shift Fork, Number 3
13	5252 071	1			ER0	DDQ	SHAFT, Gear Shift Fork, Number 4
14	8350 0537	2			ER0	DDQ	PIN, Shift Shaft
15	8350 3109	1			ER0	DDQ	CAP, Detent
16	8350 3109	AR			ER0	DDQ	CAP, Detent
17	8350 0519	1			ER0	DDQ	BUSHING, Shift Lever
18	8350 0542	7			ER0	DDQ	BALL, Gearshift Fork Lock
19	5252 064	1			ER0	DDQ	HEAD, Shifter Shaft
20	5252 059	1			ER0	DDQ	FORK, Transmission, No. 3
21	5252 065	1			ER0	DDQ	SHAFT, Gear Shift Fork, Number 5
22	8350 0635	1			ER0	DDQ	PIN, Reverse
23	5252 037	1			ER0	DDQ	SHAFT, Shift Lever
24	3420 1373	1			ER0	DDQ	BOLT, Hex Head, M8x1.25x22
25	8350 0520	1			ER0	DDQ	BOOT, Gearshift
26	5252 041	1			ER0	DDQ	HOUSING, Shift Lever
27	8350 0544	1			ER0	DDQ	SPRING, Compression
28	8350 0543	2			ER0	DDQ	PIN, Interlock, 30.3mm
29	5252 076	3			ER0	DDQ	SNAP RING
30	5252 066	1			ER0	DDQ	SHAFT, Gear Shift Fork, Number 1
31	5252 068	1			ER0	DDQ	SHAFT, Gear Shift Fork, Number 2, Gear Shift No. 2
32	5252 075	4			ER0	DDQ	SPRING, Compression
33	4864 224	1			ER0	DDQ	SHIELD, Transmission
34	4864 222	1			ER0	DDQ	RETAINER, Transmission Control Shift
35	8350 0525	4			ER0	DDQ	BOLT AND LOCK WASHER, Hex Head, M8x1.25x30
-36	5252 211	1			ER0	DDQ	BOLT, Gearshift Retainer, M8x1.25x50.4MM
37	4882 436	1			ER0	DDQ	LEVER, Gearshift

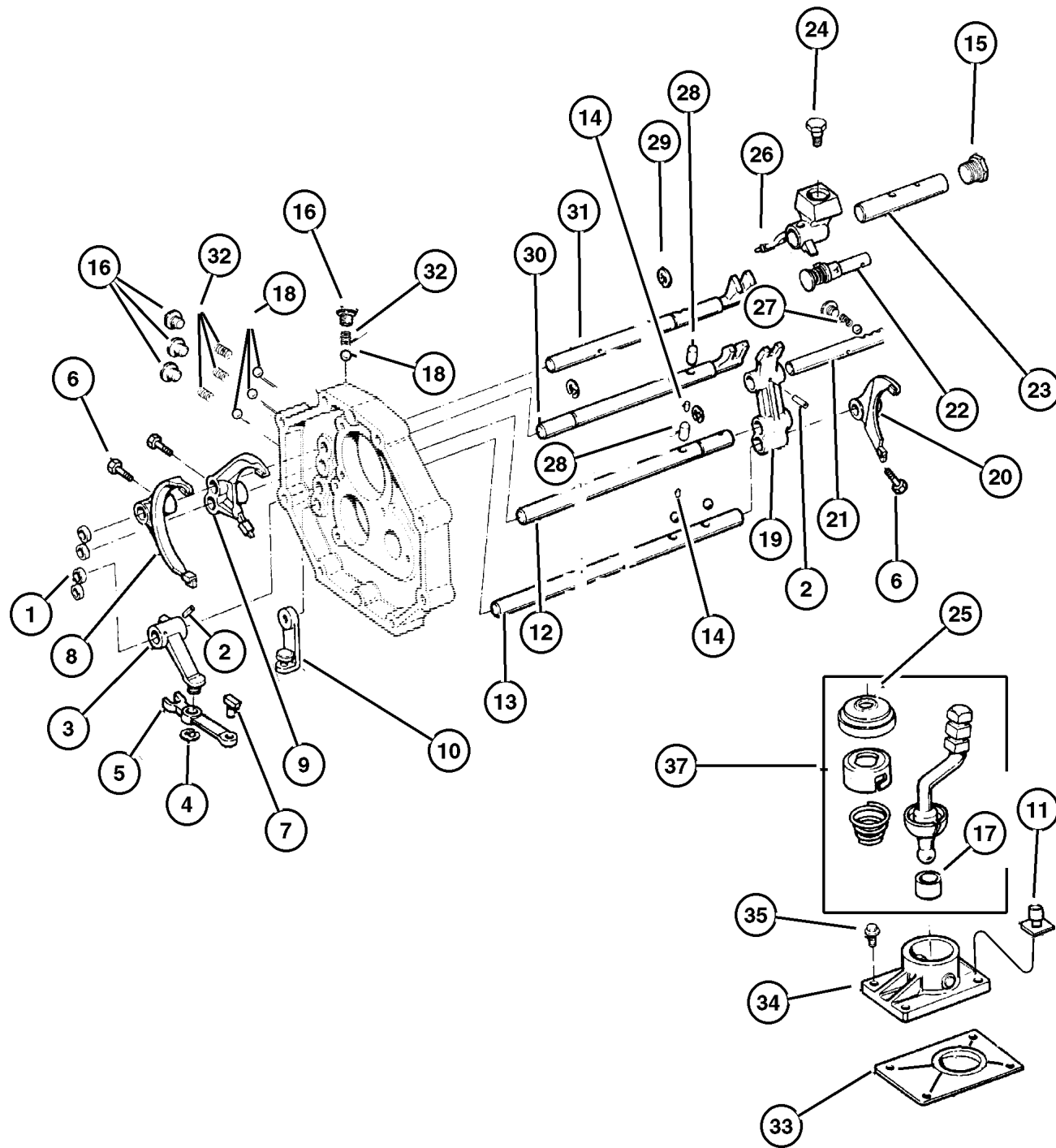
JEEP WRANGLER (TJ)

SERIES	LINE	BODY	ENGINE	TRANSMISSION
L=Low Line	J = Wrangler 4WD U = Wrangler 4WD (RHD)	77 = 93.4 WB	EPE, EP0 = 2.5L Power Tech ERH, ER0 = 4.0L Power Tech	DGG, DGD = 32RH 3 Spd. Auto. DDQ = 5 Spd. Manual DGO = All Auto. Trans. DBB =All Manual Trans.

AR = Use as required - = Non illustrated part # = New this model year

June 7, 2002

Fork and Rails AX15 (DDQ) 1998 TJ
Figure AISIN-915



ITEM	PART NUMBER	QTY	LINE	SERIES	ENGINE	TRANS	DESCRIPTION
Note: J=Dana 35 Rear Axle---DRK=Dana 44 Rear Axle							
ERH = 4.0L Power Tech Engine J=Dana 35 Rear Axle---DRK=Dana 44 Rear Axle							
ER0 = All 4.0L 6 Cyl Gas Engines J=Dana 35 Rear Axle---DRK=Dana 44 Rear Axle							
DDQ = Manual Transmission 5 Speed J=Dana 35 Rear Axle---DRK=Dana 44 Rear Axle							
1	8350 0503	1			ER0	DDQ	PLUG, Shift Rail
2	8350 0540	AR			ER0	DDQ	PIN, Shift Shaft
3	5252 056	1			ER0	DDQ	FORK, Transmission
4	8350 0548	1			ER0	DDQ	SNAP RING
5	5252 060	1			ER0	DDQ	ARM, Reverse Shift
6	5252 214	3			ER0	DDQ	BOLT AND WASHER, Gear Shift Fork
7	5252 062	1			ER0	DDQ	SHOE, Shift Lever
8	5252 058	1			ER0	DDQ	FORK, Transmission
9	5252 057	1			ER0	DDQ	FORK, Transmission
10	5252 063	1			ER0	DDQ	BRACKET, Reverse Shift Rod
11	4864 223	1			ER0	DDQ	CAP, Vent
12	5252 070	1			ER0	DDQ	SHAFT, Gear Shift Fork, Number 3
13	5252 071	1			ER0	DDQ	SHAFT, Gear Shift Fork, Number 4
14	8350 0537	2		EPO			PIN, Shift Shaft
15	8350 3109	AR			ER0	DDQ	CAP, Detent
16	8350 3109	AR			ER0	DDQ	CAP, Detent
17	8350 0519	1			ER0	DDQ	BUSHING, Shift Lever
18	8350 0542	7			ER0	DDQ	BALL, Gearshift Fork Lock
19	5252 064	1			ER0	DDQ	HEAD, Shifter Shaft
20	5252 059	1			ER0	DDQ	FORK, Transmission
21	5252 065	1			ER0	DDQ	SHAFT, Gear Shift Fork, Number 5
22	8350 0635	1			ER0	DDQ	PIN, Reverse
23	5252 037	1			ER0	DDQ	SHAFT, Shift Lever
24	3420 1373	1			ER0	DDQ	BOLT, Hex Head, M8x1.25x22
25	8350 0520	1			ER0	DDQ	BOOT, Gearshift
26	5252 041	1			ER0	DDQ	HOUSING, Shift Lever
27	8350 0544	1			ER0	DDQ	SPRING, Compression
28	8350 0543	2			ER0	DDQ	PIN, Interlock, 30.3mm
29	5252 076	3			ER0	DDQ	SNAP RING
30	5252 066	1			ER0	DDQ	SHAFT, Gear Shift Fork, Number 1
31	5252 068	1			ER0	DDQ	SHAFT, Gear Shift Fork, Number 2
32	5252 075	4			ER0	DDQ	SPRING, Compression
33	4864 224	1			ER0	DDQ	SHIELD, Transmission
34	4864 222	1			ER0	DDQ	RETAINER, Transmission Control Shift
35	8350 0525	2			ER0	DDQ	BOLT AND LOCK WASHER, Hex Head, M8x1.25x30
-36	5252 211	2			ER0	DDQ	BOLT, Gearshift Retainer
37	4882 436	1			ER0	DDQ	LEVER, Gearshift

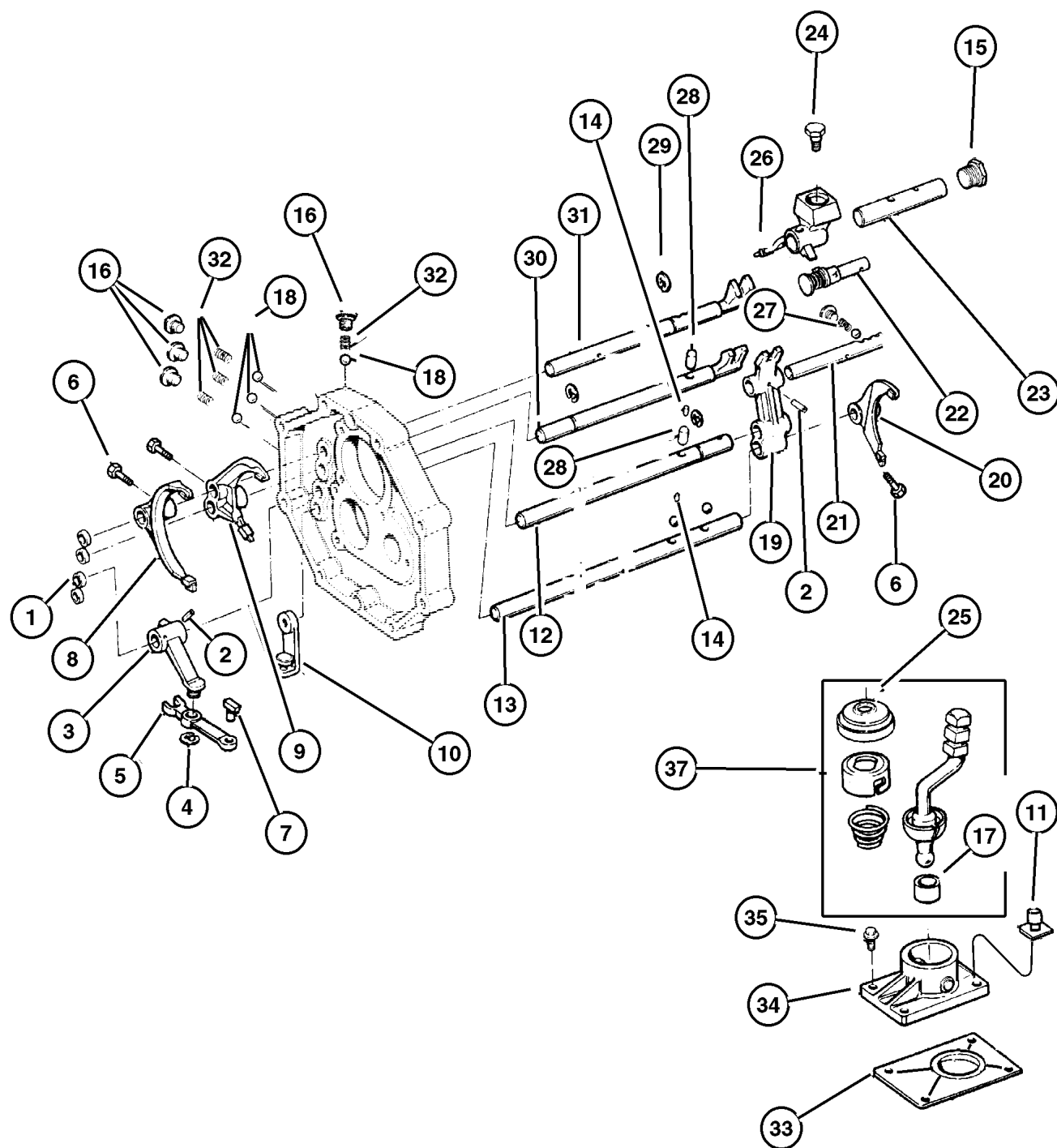
JEEP WRANGLER (TJ)

SERIES	LINE	BODY	ENGINE	TRANSMISSION
L=Low Line	J = Wrangler 4WD U = Wrangler 4WD (RHD)	77 = 93.4 WB	EPE, EPO = 2.5L Power Tech ERH, ER0 = 4.0L Power Tech	DGG, DGD = 32RH 3 Spd. Auto. DDQ = 5 Spd. Manual DGO = All Auto. Trans. DBB =All Manual Trans.

AR = Use as required - = Non illustrated part # = New this model year

June 7, 2002

Forks AX15 (DDQ) 1999 TJ
Figure AISIN-915



ITEM	PART NUMBER	QTY	LINE	SERIES	ENGINE	TRANS	DESCRIPTION
Note: J=Dana 35 Rear Axle---DRK=Dana 44 Rear Axle							
DDQ = 5 Speed Manual Transmission J=Dana 35 Rear Axle---DRK=Dana 44 Rear Axle							
ER0 = All 4.0L 6 Cyl Gas Engines J=Dana 35 Rear Axle---DRK=Dana 44 Rear Axle							
1	8350 0503	1			ER0	DDQ	PLUG, Shift Rail
2	8350 0540	1			ER0	DDQ	PIN, Shift Shaft
3	5252 056	1			ER0	DDQ	FORK, Transmission
4	8350 0548	1			ER0	DDQ	SNAP RING
5	5252 060	1			ER0	DDQ	ARM, Reverse Shift
6	5252 214	1			ER0	DDQ	BOLT AND WASHER, Gear Shift Fork
7	5252 062	1			ER0	DDQ	SHOE, Shift Lever
8	5252 058	1			ER0	DDQ	FORK, Transmission
9	5252 057	1			ER0	DDQ	FORK, Transmission
10	5252 063	1			ER0	DDQ	BRACKET, Reverse Shift Rod
11	4864 223	1			ER0	DDQ	CAP, Vent
12	5252 070	1			ER0	DDQ	SHAFT, Gear Shift Fork, Number 3
13	5252 071	1			ER0	DDQ	SHAFT, Gear Shift Fork, Number 4
14	8350 0537	1			ER0	DDQ	PIN, Shift Shaft
15	8350 3109	1			ER0	DDQ	CAP, Detent
16	8350 0524	1			ER0	DDQ	PLUG, Transmission
17	8350 0519	1			ER0	DDQ	BUSHING, Shift Lever
18	8350 0542	1			ER0	DDQ	BALL, Gearshift Fork Lock
19	5252 064	1			ER0	DDQ	HEAD, Shifter Shaft
20	5252 059	1			ER0	DDQ	FORK, Transmission
21	5252 065	1			ER0	DDQ	SHAFT, Gear Shift Fork, Number 5
22	8350 0635	1			ER0	DDQ	PIN, Reverse
23	5252 037	1			ER0	DDQ	SHAFT, Shift Lever
24	3420 1373	6			EP0	DBB	BOLT, Hex Head, M8x1.25x22
25	8350 0520	1			ER0	DDQ	BOOT, Gearshift
26	5252 041	1			ER0	DDQ	HOUSING, Shift Lever
27	8350 0544	1			ER0	DDQ	SPRING, Compression
28	8350 0543	1			ER0	DDQ	PIN, Interlock, 30.3mm
29	5252 076	1			ER0	DDQ	SNAP RING
30	5252 066	1			ER0	DDQ	SHAFT, Gear Shift Fork, Number 1
31	5252 068	1			ER0	DDQ	SHAFT, Gear Shift Fork, Number 2
32	5252 075	1			ER0	DDQ	SPRING, Compression
33	4864 224	1			ER0	DDQ	SHIELD, Transmission
34	4864 222	1			ER0	DDQ	RETAINER, Transmission Control Shift
35	8350 0525	1			ER0	DDQ	BOLT AND LOCK WASHER, Hex Head, M8x1.25x30
-36	5252 211	1			ER0	DDQ	BOLT, Gearshift Retainer
37	4882 436	1			ER0	DDQ	LEVER, Gearshift

JEEP WRANGLER (TJ)

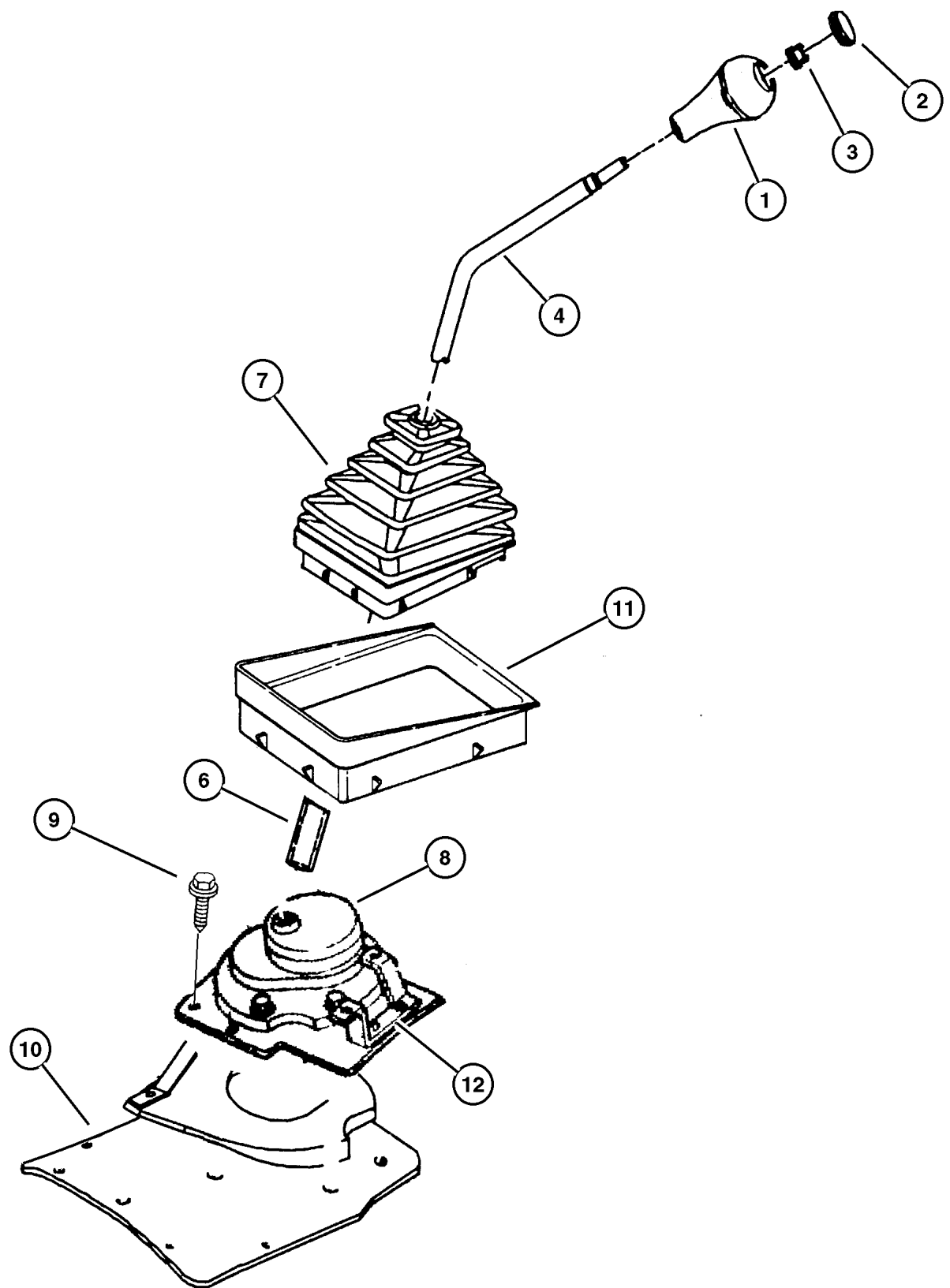
SERIES	LINE	BODY	ENGINE	TRANSMISSION
L=Low Line	J = Wrangler 4WD U = Wrangler 4WD (RHD)	77 = 93.4 WB	EPE, EP0 = 2.5L Power Tech ERH, ER0 = 4.0L Power Tech	DGG, DGD = 32RH 3 Spd. Auto. DDQ = 5 Spd. Manual DGO = All Auto. Trans. DBB =All Manual Trans.

AR = Use as required - = Non illustrated part # = New this model year

June 7, 2002

Gearshift Controls (DDQ) 1997 TJ 1998 TJ
Figure AISIN-1210

ITEM	PART NUMBER	QTY	LINE	SERIES	ENGINE	TRANS	DESCRIPTION
Note: J=Dana 35 Rear Axle---DRK=Dana 44 Rear Axle							
DBB = All Manual Transmissions J=Dana 35 Rear Axle---DRK=Dana 44 Rear Axle							
EPE = 2.5L SMPI MAGNUM 4 Cyl Engine J=Dana 35 Rear Axle---DRK=Dana 44 Rear Axle							
ERH = 4.0L Power Tech Engine J=Dana 35 Rear Axle---DRK=Dana 44 Rear Axle							
1							KNOB, Gearshift
	5210 4174	1				DBB	Gearshift Lever, 1998 TJ
		1				DBB	1997 TJ
2	4446 921	1				DBB	INSERT, Transmission Shift Knob
3	6502 556	1				DBB	NUT, Hex, M10-1.5
4							LEVER, Gearshift
	5207 8576	1	J			DBB	Manual Gearshift, 1998 TJ
		1	J			DBB	Includes Adapter & Isolator, 1997 TJ
-5	5207 8579	1	U			DBB	LEVER, Gearshift
6							TUBE, Governor Support
	5210 4012	1				DBB	Boot Support Upper, 1998 TJ
		1				DBB	1997 TJ
7							BOOT, Gear Shift Lever
	5207 8558	1				DBB	1998 TJ
		1				DBB	Upper, 1997 TJ
8	5207 8970	1				DBB	BOOT, Inner Gearshift
9							SCREW, Hex Flange Head, M4.2x1.41x13.00
	1150 2843	4					1997 TJ
		4				DBB	
10	5207 8971	1				DBB	COVER, Floor Pan
11							BEZEL, Gearshift Lever Boot
	5300 0056	1				DBB	1998 TJ
		1				DBB	Holds upper Boot In Console, 1997 TJ
12	3420 1035	3				DBB	RIVET, M4x12 Aluminum



JEEP WRANGLER (TJ)

SERIES	LINE	BODY	ENGINE	TRANSMISSION
L=Low Line	J = Wrangler 4WD U = Wrangler 4WD (RHD)	77 = 93.4 WB	EPE, EP0 = 2.5L Power Tech ERH, ER0 = 4.0L Power Tech	DGG, DGD = 32RH 3 Spd. Auto. DDQ = 5 Spd. Manual DG0 = All Auto. Trans. DBB =All Manual Trans.

AR = Use as required - = Non illustrated part # = New this model year

June 7, 2002

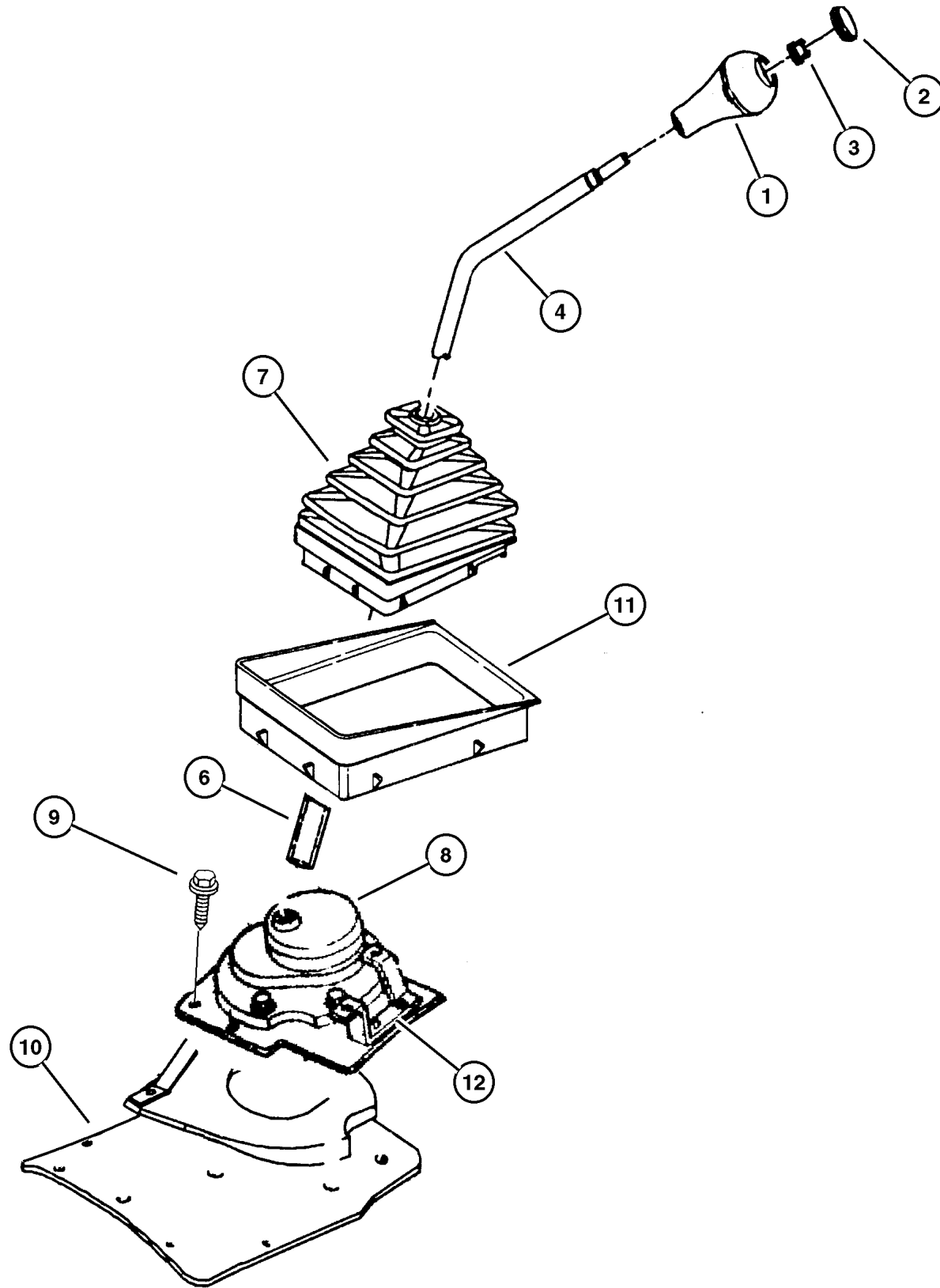
Gearshift Controls (DDQ) 1999 TJ
Figure AISIN-1210

ITEM	PART NUMBER	QTY	LINE	SERIES	ENGINE	TRANS	DESCRIPTION
------	-------------	-----	------	--------	--------	-------	-------------

Note: J=Dana 35 Rear Axle---DRK=Dana 44 Rear Axle

DBB = All Manual Transmissions J=Dana 35 Rear Axle---DRK=Dana 44 Rear Axle

1	5210 4174	1				DBB	KNOB, Gearshift
2	4446 921	1				DBB	INSERT, Transmission Shift Knob
3	6502 556	1				DBB	NUT, Hex, M10-1.5
4	5207 8576	1	J			DBB	LEVER, Gearshift
-5	5207 8579	1	U			DBB	LEVER, Gearshift
6	5210 4012	1				DBB	TUBE, Governor Support
7	5207 8558	1				DBB	BOOT, Gear Shift Lever
8	5207 8970	1				DBB	BOOT, Inner Gearshift
9	1150 2843	4				DBB	SCREW, Hex Flange Head, M4.2x1.41x13.00
10	5207 8971	1				DBB	COVER, Floor Pan
11	5300 0056	1				DBB	BEZEL, Gearshift Lever Boot
12	3420 1035	3				DBB	RIVET, M4x12 Aluminum



JEEP WRANGLER (TJ)

SERIES	LINE	BODY	ENGINE	TRANSMISSION
L=Low Line	J = Wrangler 4WD U = Wrangler 4WD (RHD)	77 = 93.4 WB	EPE, EP0 = 2.5L Power Tech ERH, ER0 = 4.0L Power Tech	DGG, DGD = 32RH 3 Spd. Auto. DDQ = 5 Spd. Manual DG0 = All Auto. Trans. DBB =All Manual Trans.

AR = Use as required - = Non illustrated part # = New this model year

June 7, 2002

Group – 231

Transfer Case Model 231

GROUP 231 - Transfer Case Model 231

Illustration Title

Group-Fig. No.

Transfer Case Assembly

Transfer Case Command Trac (DHN) Fig. 231-110

Case and Related Parts

Case and Related Parts Command Trac (DHN) Fig. 231-210

Gear Train

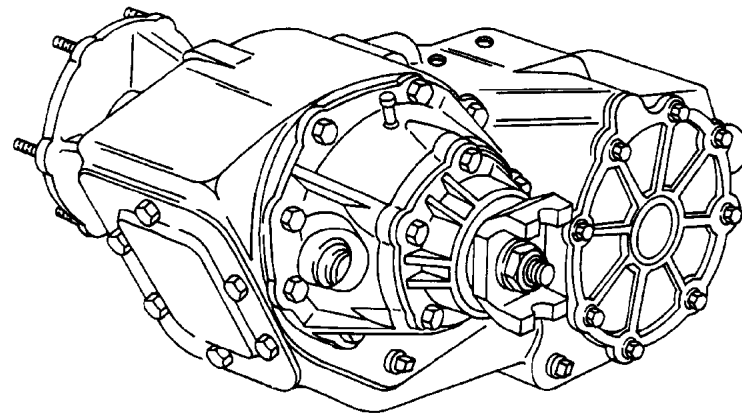
Gear Train Command Trac (DHN) Fig. 231-410

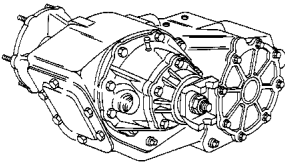
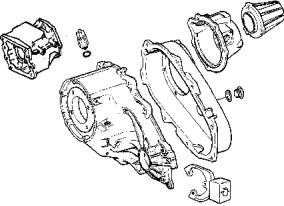
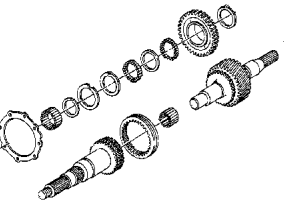
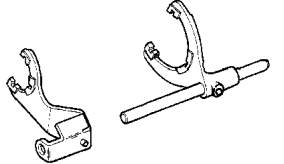

Fork and Rails

Forks and Rails Command Trac (DHN) Fig. 231-910

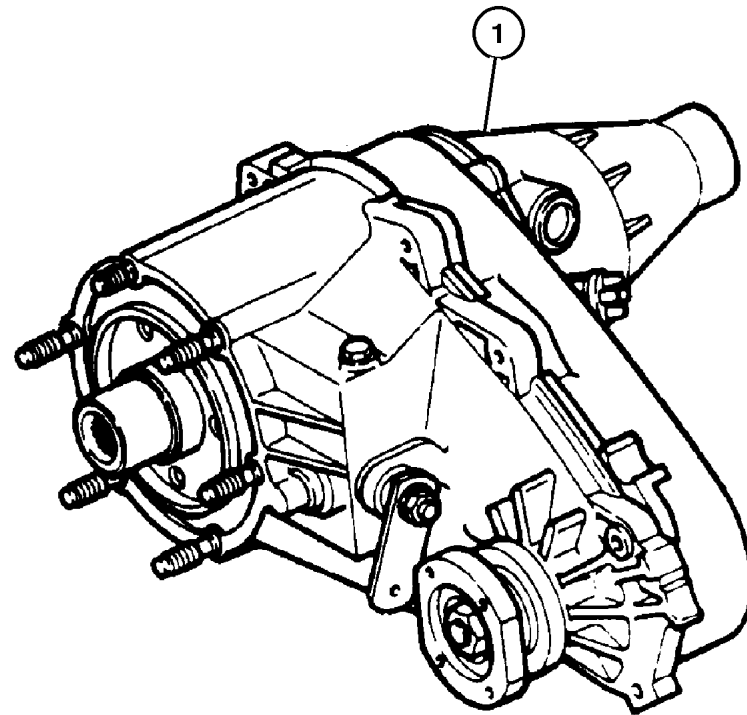
Gearshift Controls

Gearshift Controls Command Trac (DHN) Fig. 231-1210



<p>231-100 Transfer Case Assembly</p> 	<p>231-200 Case and Related Parts</p> 	<p>231-400 Gear Train</p> 	<p>231-900 Fork and Rails</p> 
<p>231-1200 Gearshift Controls</p> 			

**Transfer Case Command Trac (DHN)
Figure 231-110**



ITEM	PART NUMBER	QTY	LINE	SERIES	ENGINE	TRANS	DESCRIPTION
------	-------------	-----	------	--------	--------	-------	-------------

Note: J=Dana 35 Rear Axle---DRK=Dana 44 Rear Axle
 DDQ = 5 Speed Manual Transmission J=Dana 35 Rear Axle---DRK=Dana 44 Rear Axle
 DG0 = All Automatic Transmissions J=Dana 35 Rear Axle---DRK=Dana 44 Rear Axle
 EN0 = All 4 Cyl Turbo Diesel Engines J=Dana 35 Rear Axle---DRK=Dana 44 Rear Axle
 EP0 = All 2.5L 4 Cyl Gas Engines J=Dana 35 Rear Axle---DRK=Dana 44 Rear Axle
 ER0 = All 4.0L 6 Cyl Gas Engines J=Dana 35 Rear Axle---DRK=Dana 44 Rear Axle

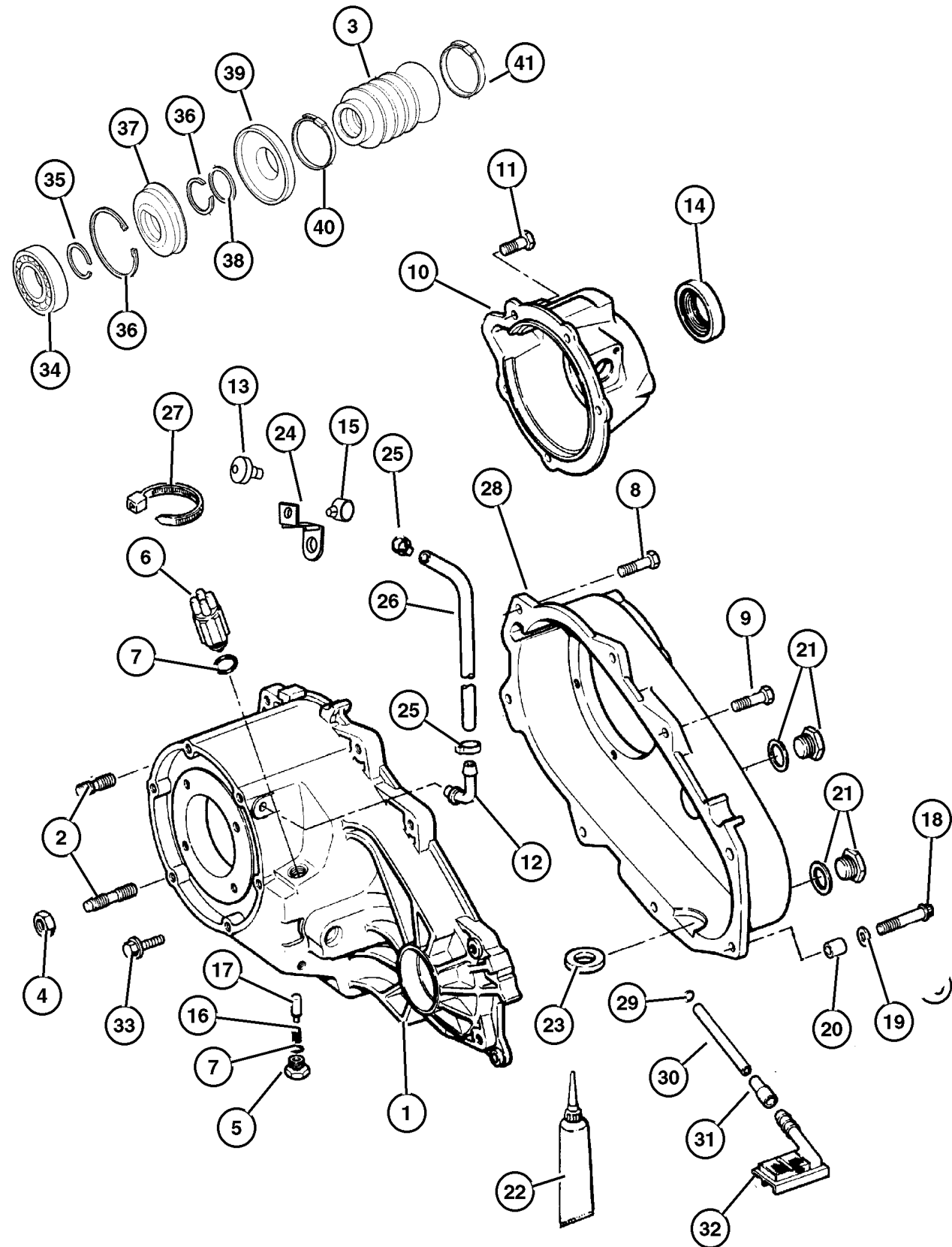
1							TRANSFER CASE, NV231
	5209 8471	1			EP0	DDQ	1997 TJ
	5209 8473	1			EP0	DG0	1997 TJ
		1			EN0, ER0		1997 TJ
	5209 9211	1			ER0		1998 TJ
		1			EP0	DG0	1998 TJ
	5209 9310	1			EP0	DDQ	1998 TJ
	5209 9211	1			EP0, ER0	DG0	1999 TJ
	5209 9364	1			EP0	DDQ	1999 TJ
	52111 005AA	1			ER0	DBB	1999 TJ

JEEP WRANGLER (TJ)		BODY	ENGINE	TRANSMISSION
SERIES	LINE	77 = 93.4 WB	EPE, EP0 = 2.5L Power Tech ERH, ER0 = 4.0L Power Tech	DGG, DGD = 32RH 3 Spd. Auto. DDQ = 5 Spd. Manual DG0 = All Auto. Trans. DBB =All Manual Trans.
L=Low Line	J = Wrangler 4WD U = Wrangler 4WD (RHD)			

AR = Use as required - = Non illustrated part # = New this model year

June 7, 2002

**Case and Related Parts Command Trac (DHN)
Figure 231-210**



Note: J=Dana 35 Rear Axle---DRK=Dana 44 Rear Axle

DBB = All Manual Transmissions J=Dana 35 Rear Axle---DRK=Dana 44 Rear Axle

DDQ = 5 Speed Manual Transmission J=Dana 35 Rear Axle---DRK=Dana 44 Rear Axle

DGG = 32RH 3 Speed Automatic Transmission J=Dana 35 Rear Axle---DRK=Dana 44 Rear Axle

DG0 = All Automatic Transmissions J=Dana 35 Rear Axle---DRK=Dana 44 Rear Axle

ENC = 2.5L 4 Cyl Turbo Diesel Engine J=Dana 35 Rear Axle---DRK=Dana 44 Rear Axle

EN0 = All 4 Cyl Turbo Diesel Engines J=Dana 35 Rear Axle---DRK=Dana 44 Rear Axle

EPE = 2.5L SMPI MAGNUM 4 Cyl Engine J=Dana 35 Rear Axle---DRK=Dana 44 Rear Axle

EPO = All 2.5L 4 Cyl Gas Engines J=Dana 35 Rear Axle---DRK=Dana 44 Rear Axle

ERH = 4.0L Power Tech Engine J=Dana 35 Rear Axle---DRK=Dana 44 Rear Axle

ER0 = All 4.0L 6 Cyl Gas Engines J=Dana 35 Rear Axle---DRK=Dana 44 Rear Axle

ITEM	PART NUMBER	QTY	LINE	SERIES	ENGINE	TRANS	DESCRIPTION
1							CASE, Transfer Front
	4798 111	1			EPO	DG0	1997 TJ
		1			ENO, ER0		1997 TJ
		1			EPO	DDQ	1997 TJ, 1999 TJ
		1			ER0		Front, 1998 TJ
		1			EPO	DG0	Front, 1998 TJ
		AR			EPO	DDQ	Front, 1998 TJ
		1			EPO, ER0	DG0	1999 TJ
		1			ER0	DBB	1999 TJ
2							STUD, M10x1.54x36
	4505 365	6			EPO	DDQ	Case Front
		6			ENO, ER0		Case Front, 1997 TJ
		6			EPO	DG0	Case Front, 1997 TJ, 1998 TJ
		6			ER0		Case Front, 1998 TJ
		6			EPO, ER0	DG0	1999 TJ
		6			ER0	DBB	1999 TJ
3							BOOT, Driveshaft
	4798 123	1			ENO, ER0		1997 TJ
		1			EPO	DG0	1997 TJ, 1998 TJ
		1			EPO	DDQ	1997 TJ, 1999 TJ
		1			ER0		1998 TJ
		AR			EPO	DDQ	1998 TJ
		1			EPO, ER0	DG0	1999 TJ
		1			ER0	DBB	1999 TJ
4							NUT AND CONED WASHER, Hex, .375-24
	J400 6681	5			EPO	DD0	1997 TJ

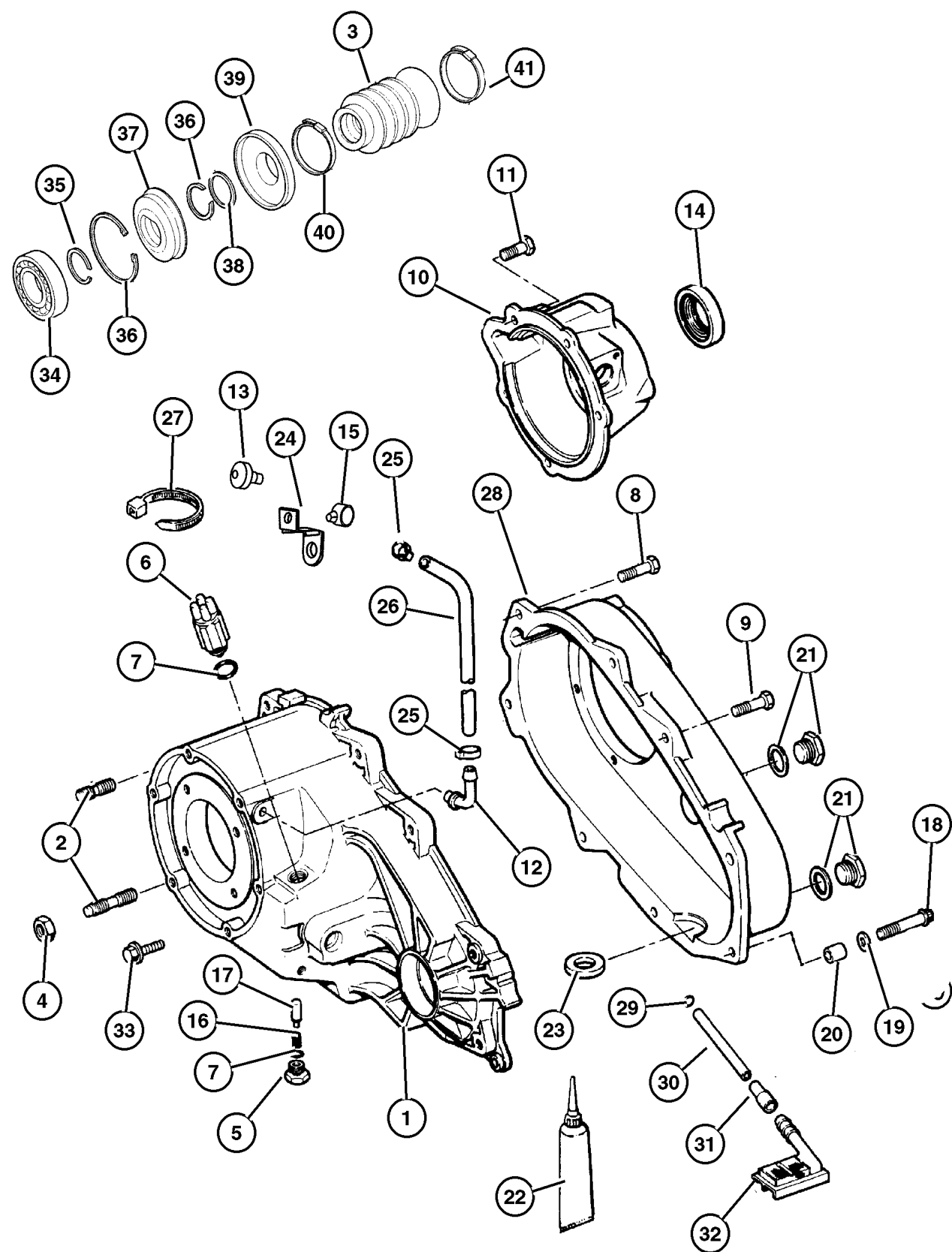
JEEP WRANGLER (TJ)

SERIES	LINE	BODY	ENGINE	TRANSMISSION
L=Low Line	J = Wrangler 4WD U = Wrangler 4WD (RHD)	77 = 93.4 WB	EPE, EPO = 2.5L Power Tech ERH, ER0 = 4.0L Power Tech	DGG, DGD = 32RH 3 Spd. Auto. DDQ = 5 Spd. Manual DG0 = All Auto. Trans. DBB =All Manual Trans.

AR = Use as required - = Non illustrated part # = New this model year

June 7, 2002

Case and Related Parts Command Trac (DHN)
Figure 231-210



ITEM	PART NUMBER	QTY	LINE	SERIES	ENGINE	TRANS	DESCRIPTION
		6			EP0	DG0	1997 TJ
		6			EN0, ER0	DG0	1997 TJ
		6			ER0		Transfer Case, 1998 TJ, 1999 TJ
		6			EP0	DD0	Transfer Case, 1998 TJ, 1999 TJ
		6			EP0	DG0	Transfer Case, 1998 TJ, 1999 TJ
5	5300 8216	1			EN0, ER0		SCREW 1997 TJ
		1			EP0	DG0	1997 TJ, 1998 TJ
		1			EP0	DDQ	1997 TJ, 1998 TJ
	4886 473AA	1			ER0		1998 TJ
		1			EP0	DDQ	1999 TJ
		1			EP0, ER0	DG0	1999 TJ
		1			ER0	DBB	1999 TJ
6	J813 4473	1					SWITCH, Transfer Case Mode
		1			EP0	DDQ	
		1			EN0, ER0		1997 TJ
		1			EP0	DG0	1997 TJ, 1998 TJ
		1			ER0		1998 TJ
		1			EP0, ER0	DG0	1999 TJ
		1			ER0	DBB	1999 TJ
7	4338 956	1					SEAL, Vacuum Switch
		1			EP0	DG0	O-Ring, 1997 TJ
		1			EN0, ER0		O-Ring, 1997 TJ
		1			EP0	DDQ	O-Ring, 1997 TJ, 1998 TJ
		2			ER0		O-Ring, 1998 TJ
		2			EP0	DG0	O-Ring, 1998 TJ
		2			EP0	DDQ	1999 TJ
		2			EP0, ER0	DG0	1999 TJ
		2			ER0	DBB	1999 TJ
8	4210 617	5					BOLT, Transfer Case
		5			EP0	DDQ	Case Half, 1997 TJ
		5			EN0, ER0		Case Half, 1997 TJ
		5			ER0		Case Half, 1998 TJ
		5			EP0	DG0	Case Half, 1998 TJ
		1			EP0	DDQ	Case Half, 1998 TJ

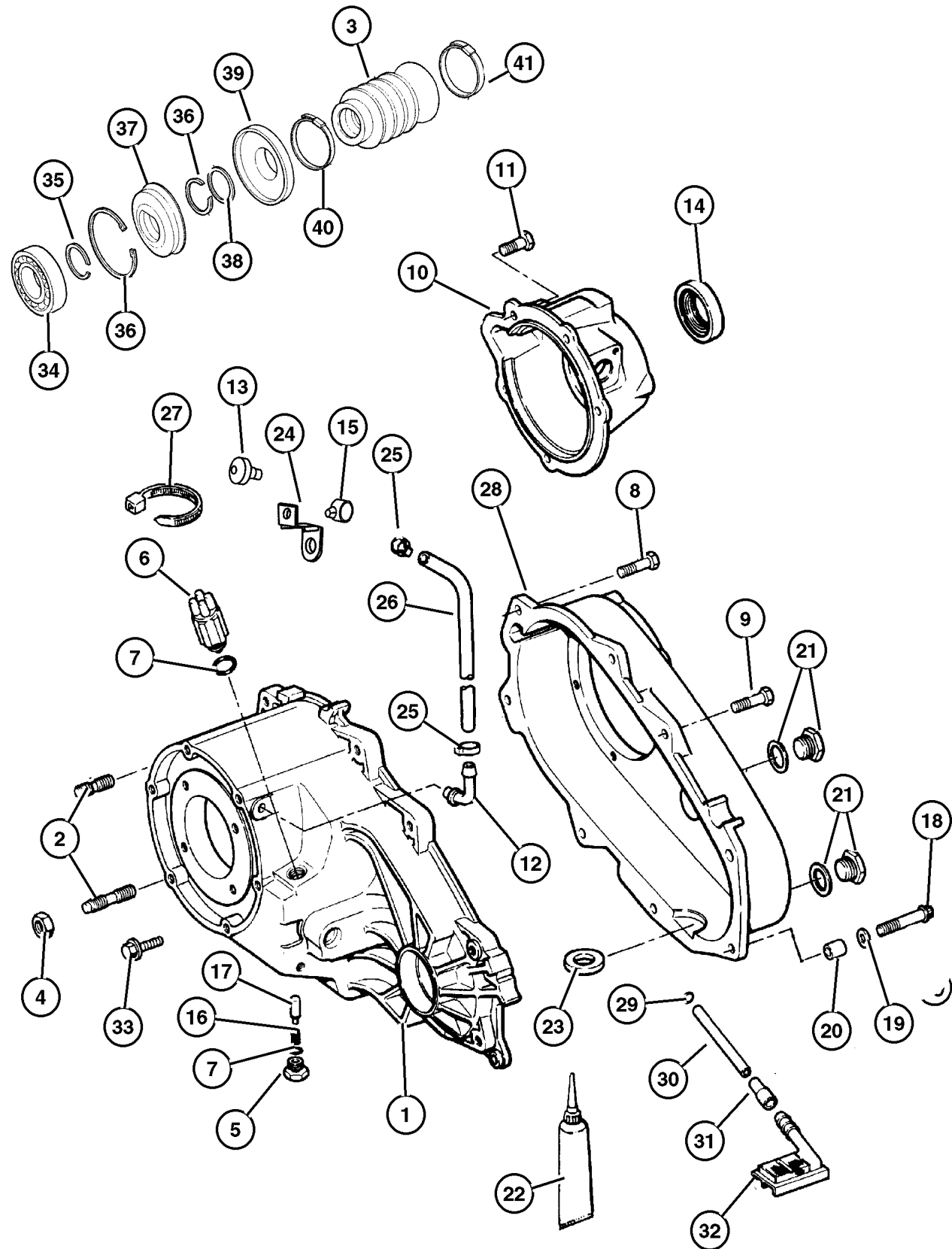
JEEP WRANGLER (TJ)

SERIES	LINE	BODY	ENGINE	TRANSMISSION
L=Low Line	J = Wrangler 4WD U = Wrangler 4WD (RHD)	77 = 93.4 WB	EPE, EP0 = 2.5L Power Tech ERH, ER0 = 4.0L Power Tech	DGG, DGD = 32RH 3 Spd. Auto. DDQ = 5 Spd. Manual DG0 = All Auto. Trans. DBB =All Manual Trans.

AR = Use as required - = Non illustrated part # = New this model year

June 7, 2002

Case and Related Parts Command Trac (DHN)
Figure 231-210



ITEM	PART NUMBER	QTY	LINE	SERIES	ENGINE	TRANS	DESCRIPTION
		5			EP0,	DG0	1999 TJ
					ER0		
		5			EP0	DDQ	1999 TJ
		5			ER0	DBB	1999 TJ
9							BOLT, Twelve Point Head, M10x1.5x48
	J813 0979	1			EP0	DDQ	(M10-1.5x48mm)
		1			EN0,		(M10-1.5x48mm), 1997 TJ
		1			EP0	DG0	(M10-1.5x48mm), 1997 TJ, 1998 TJ
		1			ER0		(M10-1.5x48mm), 1998 TJ
		1			EP0,	DG0	1999 TJ
		1			ER0		
		1			ER0	DBB	1999 TJ
10							RETAINER, Transfer Case Rear
	4798 115	1			EP0	DG0	Transfer Case Rear, 1997 TJ
		1			EP0	DDQ	Transfer Case Rear, 1997 TJ
		1			EN0,		Transfer Case Rear, 1997 TJ
					ER0		
		1			ER0		Transfer Case, 1998 TJ
		1			EP0	DG0	Transfer Case, 1998 TJ
		AR			EP0	DDQ	Transfer Case, 1998 TJ
		1			EP0	DDQ	1999 TJ
		1			EP0,	DG0	1999 TJ
					ER0		
		1			ER0	DBB	1999 TJ
11							BOLT
	6500 318	9			EP0	DG0	1997 TJ
		9			EN0,		1997 TJ
					ER0		
		9			EP0	DDQ	1997 TJ, 1999 TJ
		9			ER0	DBB	1998 TJ, 1999 TJ
		9			EP0,	DG0	1999 TJ
					ER0		
12							VENT, Transfer Case
	4796 910	1			EP0	DDQ	
		1			EN0,		1997 TJ
					ER0		
		1			EP0	DG0	1997 TJ, 1998 TJ
		1			ER0		1998 TJ
		1			EP0,	DG0	1999 TJ
					ER0		
		1			ER0	DBB	1999 TJ
13							VENT, Transfer Case
	5300 7494	1					1997 TJ, 1999 TJ

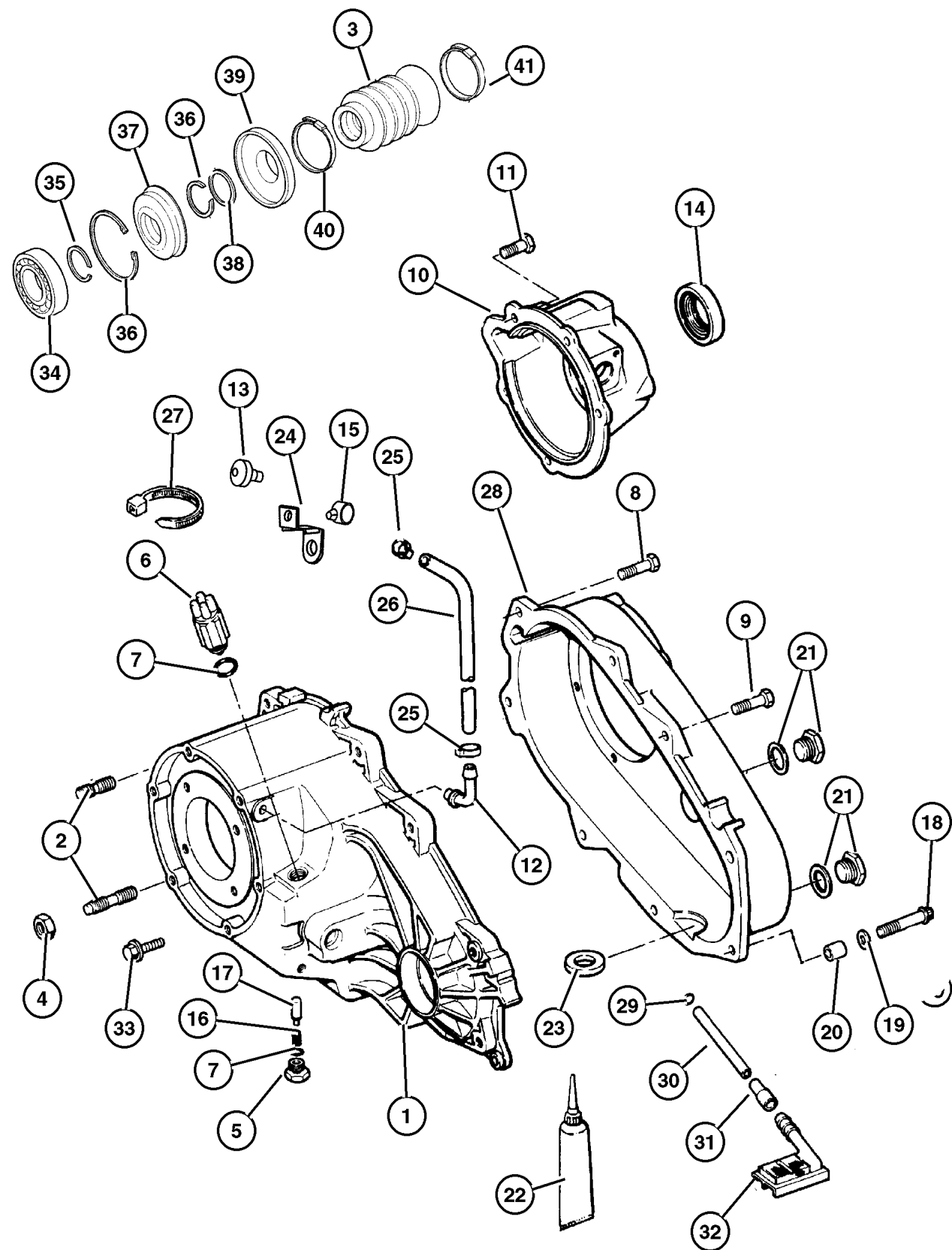
JEEP WRANGLER (TJ)

SERIES	LINE	BODY	ENGINE	TRANSMISSION
L=Low Line	J = Wrangler 4WD U = Wrangler 4WD (RHD)	77 = 93.4 WB	EPE, EP0 = 2.5L Power Tech ERH, ER0 = 4.0L Power Tech	DGG, DGD = 32RH 3 Spd. Auto. DDQ = 5 Spd. Manual DG0 = All Auto. Trans. DBB =All Manual Trans.

AR = Use as required - = Non illustrated part # = New this model year

June 7, 2002

Case and Related Parts Command Trac (DHN)
Figure 231-210



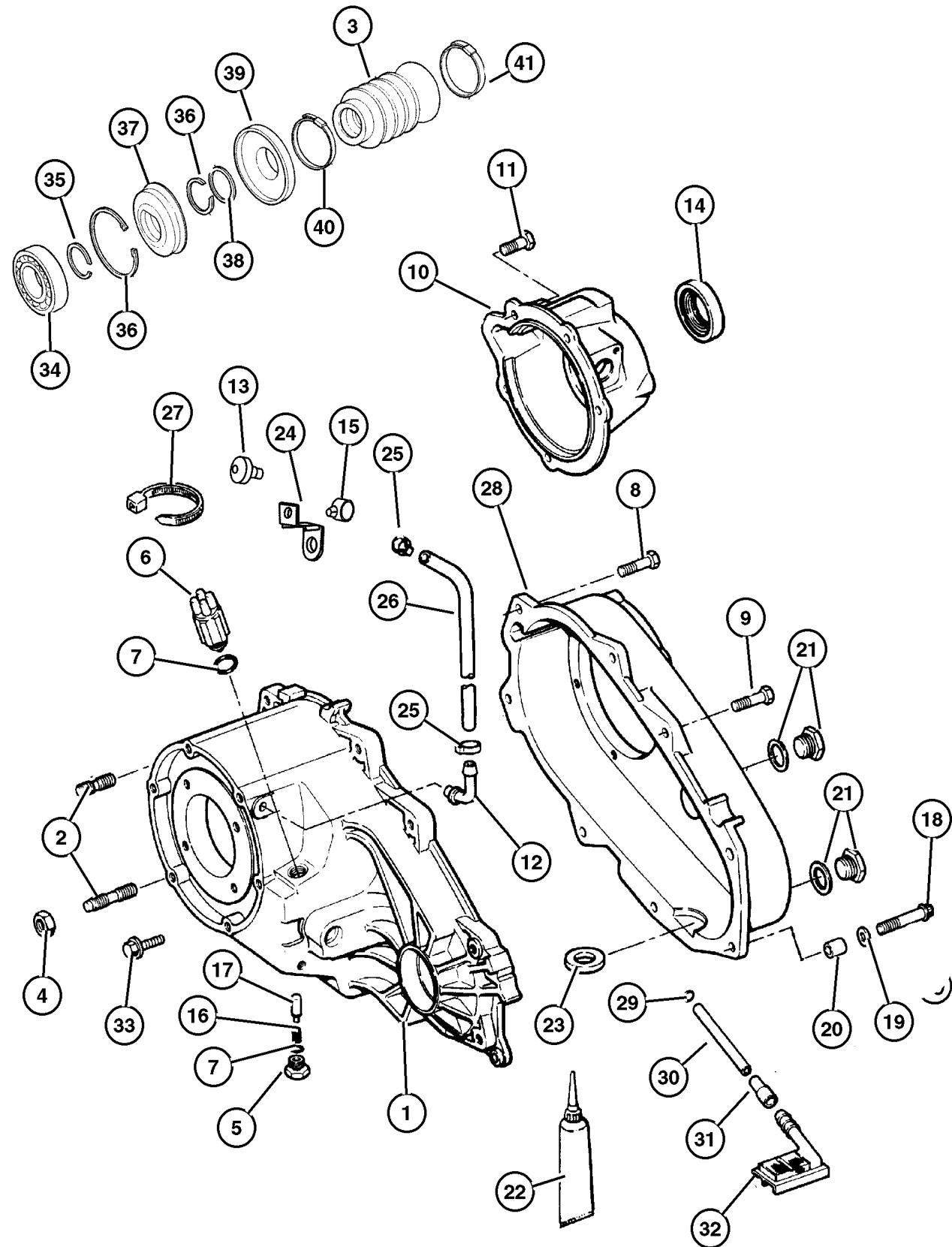
ITEM	PART NUMBER	QTY	LINE	SERIES	ENGINE	TRANS	DESCRIPTION
		1					Hydrophobic, 1998 TJ
14	4798 117	1			EP0	DG0	SEAL, Output Rear, 1997 TJ
		1			EP0	DDQ	Rear, 1997 TJ
		1			EN0,		Rear, 1997 TJ
					ER0		
		1			ER0		Transfer Case, 1998 TJ
		1			EP0	DG0	Transfer Case, 1998 TJ
		AR			EP0	DDQ	Transfer Case, 1998 TJ
		1			EP0,	DG0	1999 TJ
					ER0		
		1			EP0	DDQ	1999 TJ
		1			ER0	DBB	1999 TJ
15	J400 5701	1					CLIP, Wrap Around, Tube
16	4638 497	1			EP0	DDQ	SPRING, Shift Detent
		1			EN0,		1997 TJ
					ER0		
		1			EP0	DG0	1997 TJ, 1998 TJ
		1			ER0		1998 TJ
17							PLUNGER
	5300 8217	1			EP0	DG0	1997 TJ
		1			EN0,		1997 TJ
					ER0		
		1			EP0	DDQ	1997 TJ, 1999 TJ
		1			ER0	DBB	1998 TJ
		1			EP0,	DG0	1999 TJ
					ER0		
18							BOLT, Hex Flange Head
	4210 614	2			EP0	DG0	1997 TJ
		2			EP0	DDQ	1997 TJ
		2			EN0,		1997 TJ
					ER0		
		1			ER0		1998 TJ
		1			EP0	DG0	1998 TJ
		1			EP0	DDQ	1998 TJ, 1999 TJ
		1			EP0,	DG0	1999 TJ
					ER0		
19							WASHER, Flat
	4210 983	2			EP0	DG0	1997 TJ
		2			EP0	DDQ	1997 TJ
		2			EN0,		1997 TJ
					ER0		

JEEP WRANGLER (TJ)
 SERIES LINE BODY ENGINE TRANSMISSION
 L=Low Line J = Wrangler 4WD 77 = 93.4 WB EPE, EP0 = 2.5L Power Tech DGG, DGD = 32RH 3 Spd. Auto.
 U = Wrangler 4WD (RHD) ERH, ER0 = 4.0L Power Tech DDQ = 5 Spd. Manual
 DG0 = All Auto. Trans.
 DBB =All Manual Trans.

AR = Use as required - = Non illustrated part # = New this model year

June 7, 2002

Case and Related Parts Command Trac (DHN)
Figure 231-210



ITEM	PART NUMBER	QTY	LINE	SERIES	ENGINE	TRANS	DESCRIPTION
		1			ER0		1998 TJ
		1			EP0	DG0	1998 TJ
		1			EP0	DDQ	1998 TJ, 1999 TJ
		1			EP0, ER0	DG0	1999 TJ
20							DOWEL, Transfer Case
	4116 310	2			EP0	DG0	1997 TJ
		2			EP0	DDQ	1997 TJ
		2			EN0, ER0		1997 TJ
		1			ER0		1998 TJ
		1			EP0	DG0	1998 TJ
		1			EP0	DDQ	1998 TJ, 1999 TJ
		1			EP0, ER0	DG0	1999 TJ
21							PLUG, Oil Fill
	4856 641	1			EP0	DG0	1997 TJ
		1			EN0, ER0		1997 TJ
		1			EP0	DDQ	1997 TJ, 1998 TJ
		2			ER0		1998 TJ
		2			EP0	DG0	1998 TJ
		2			EP0	DDQ	1999 TJ
		2			EP0, ER0	DG0	1999 TJ
22							MAGNET, Transmission
	5010 884AA	1			ER0	DBB	1999 TJ
		1			EP0	DDQ	SEALANT, RTV
		1			EN0, ER0		1997 TJ
		1			EP0	DG0	1997 TJ, 1998 TJ
		1			ER0	DDQ	1998 TJ
		1			EP0, ER0	DG0	1999 TJ
23							MAGNET, Transmission
	3681 601	1			EP0	DG0	1997 TJ
		1			EN0, ER0		1997 TJ
		1			EP0	DDQ	1997 TJ, 1999 TJ
		1			EP0	DGD	1998 TJ
		1			ER0	DGG	1998 TJ
		1			EP0, ER0	DG0	1999 TJ
24							BRACKET, Tube

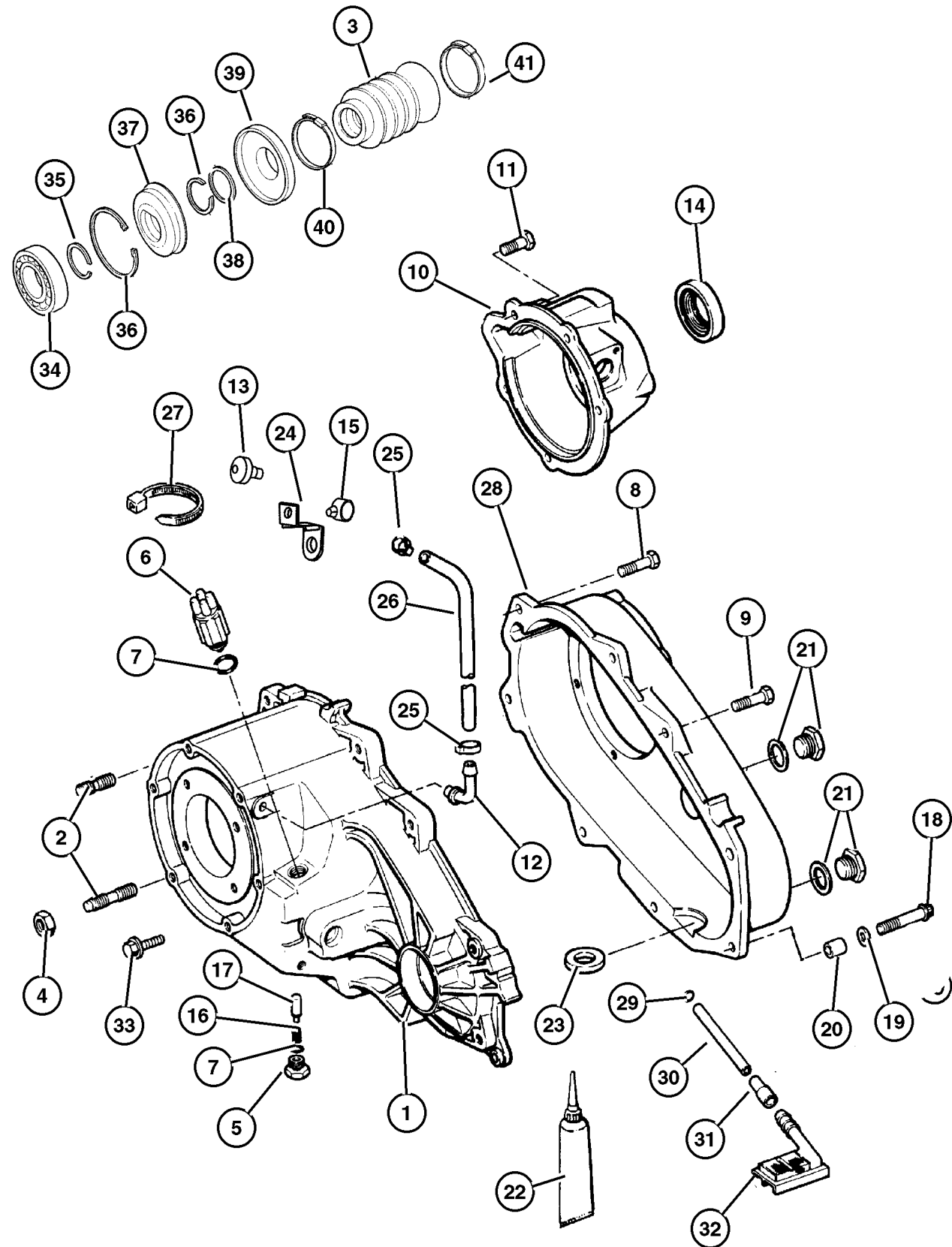
JEEP WRANGLER (TJ)

SERIES	LINE	BODY	ENGINE	TRANSMISSION
L=Low Line	J = Wrangler 4WD U = Wrangler 4WD (RHD)	77 = 93.4 WB	EPE, EP0 = 2.5L Power Tech ERH, ER0 = 4.0L Power Tech	DGG, DGD = 32RH 3 Spd. Auto. DDQ = 5 Spd. Manual DG0 = All Auto. Trans. DBB =All Manual Trans.

AR = Use as required - = Non illustrated part # = New this model year

June 7, 2002

Case and Related Parts Command Trac (DHN)
Figure 231-210



ITEM	PART NUMBER	QTY	LINE	SERIES	ENGINE	TRANS	DESCRIPTION
	5209 8522	1			EP0,		1997 TJ
		1			ER0		Vent Tube, 1998 TJ, 1999 TJ
25	6502 081	2			EP0,		CLAMP, Oil Cooler Line
26	HFV0 0516	AR			ER0		HOSE, Fuel And Vapor, 25 Foot Roll 5/16"
		1					1997 TJ, 1998 TJ
		1					1999 TJ
27							STRAP, Retaining
	J369 3058	1	J		EP0		1997 TJ
		1	U				1997 TJ
		1	J				(J) Model, 1998 TJ, 1999 TJ
		1	U				(U) Model, 1998 TJ, 1999 TJ
28							CASE, Transfer Rear
	4796 902	1			EP0	DDQ	1997 TJ
		1			EP0	DG0	1997 TJ
		1			EN0,		1997 TJ
					ER0		
	4886 222AA	1			ER0		Rear, 1998 TJ
		1			EP0	DG0	Rear, 1998 TJ
		1			EP0	DDQ	Rear, 1998 TJ, 1999 TJ
29							SEAL, Oil
	4338 942	1			EP0	DG0	1997 TJ
		1			EP0	DDQ	1997 TJ
		1			EN0,		1997 TJ
					ER0		
		1			ER0		Oil, 1998 TJ
		1			EP0	DG0	Oil, 1998 TJ
		1			EP0	DDQ	Oil, 1998 TJ, 1999 TJ
30							TUBE, Oil Pickup
	4338 941	1			EP0	DG0	1997 TJ
		1			EP0	DDQ	1997 TJ
		1			EN0,		1997 TJ
					ER0		
		1			ER0		Oil, 1998 TJ
		1			EP0	DG0	Oil, 1998 TJ
		1			EP0	DDQ	Oil, 1998 TJ, 1999 TJ
		1			EP0,	DG0	1999 TJ
					ER0		
31							CONNECTOR, Oil Tube Pickup
	4338 944	1			EP0	DDQ	
		1			EN0,		1997 TJ
					ER0		

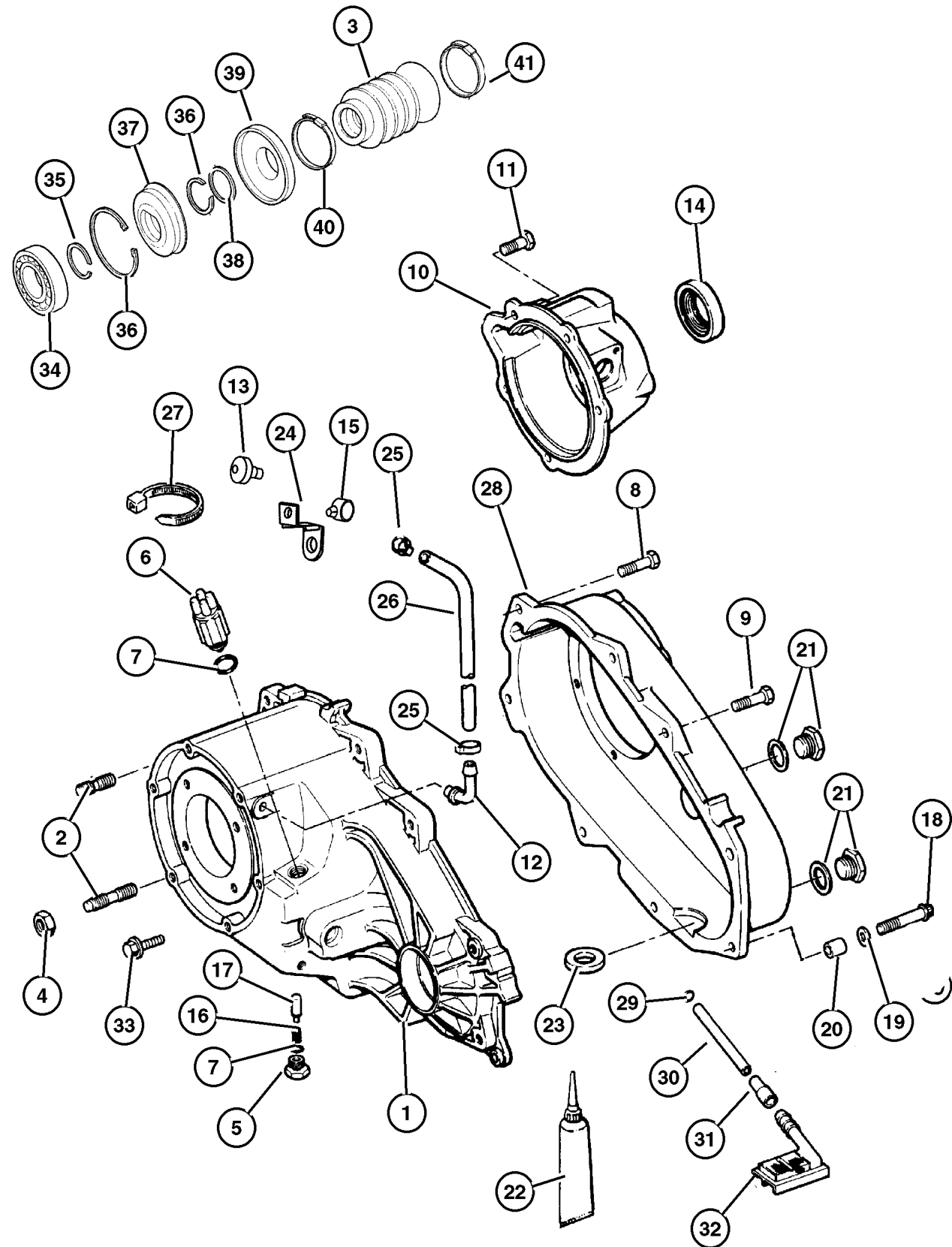
JEEP WRANGLER (TJ)

SERIES	LINE	BODY	ENGINE	TRANSMISSION
L=Low Line	J = Wrangler 4WD U = Wrangler 4WD (RHD)	77 = 93.4 WB	EPE, EP0 = 2.5L Power Tech ERH, ER0 = 4.0L Power Tech	DGG, DGD = 32RH 3 Spd. Auto. DDQ = 5 Spd. Manual DG0 = All Auto. Trans. DBB =All Manual Trans.

AR = Use as required - = Non illustrated part # = New this model year

June 7, 2002

Case and Related Parts Command Trac (DHN)
Figure 231-210



ITEM	PART NUMBER	QTY	LINE	SERIES	ENGINE	TRANS	DESCRIPTION
		1			EP0	DG0	1997 TJ, 1998 TJ
		1			ER0		1998 TJ
		1			EP0, ER0	DG0	1999 TJ
32							FILTER, Transfer Case Oil
	4338 943	1			EP0	DDQ	
		1			EN0, ER0		1997 TJ
		1			EP0	DG0	1997 TJ, 1998 TJ
		1			ER0		1998 TJ
		1			EP0, ER0	DG0	1999 TJ
33							CLAMP, Boot
	4798 122	1			EP0	DDQ	(48.5), 1997 TJ
		1			EN0, ER0		(48.5), 1997 TJ
		1			EP0	DG0	(48.5), 1997 TJ, 1998 TJ
		1			ER0		(48.5), 1998 TJ
	4798 121	1			EP0	DDQ	(48.5), 1998 TJ
		1			EP0, ER0	DG0	1999 TJ
34							BEARING
	4338 892	1			EP0	DG0	Rear Output, 1997 TJ
		1			EP0	DDQ	Rear Output, 1997 TJ
		1			EN0, ER0		Rear Output, 1997 TJ
		2			ER0		Rear Out, 1998 TJ
		2			EP0	DG0	Rear Out, 1998 TJ
		1			EP0	DDQ	Rear Out, 1998 TJ
		1			EP0, ER0	DG0	1999 TJ
		1			EP0	DDQ	1999 TJ
35							SNAP RING
	4798 116	1			EP0	DG0	Rear Bearing O.D. Retaining, 1997 TJ
		1			EP0	DDQ	Rear Bearing O.D. Retaining, 1997 TJ
		1			EN0, ER0		Rear Bearing O.D. Retaining, 1997 TJ
		1			ER0		Rear Bearing O.D. Ret, 1998 TJ
		1			EP0	DG0	Rear Bearing O.D. Ret, 1998 TJ
		AR			EP0	DDQ	Rear Bearing O.D. Ret, 1998 TJ
		1			EP0, ER0	DG0	1999 TJ

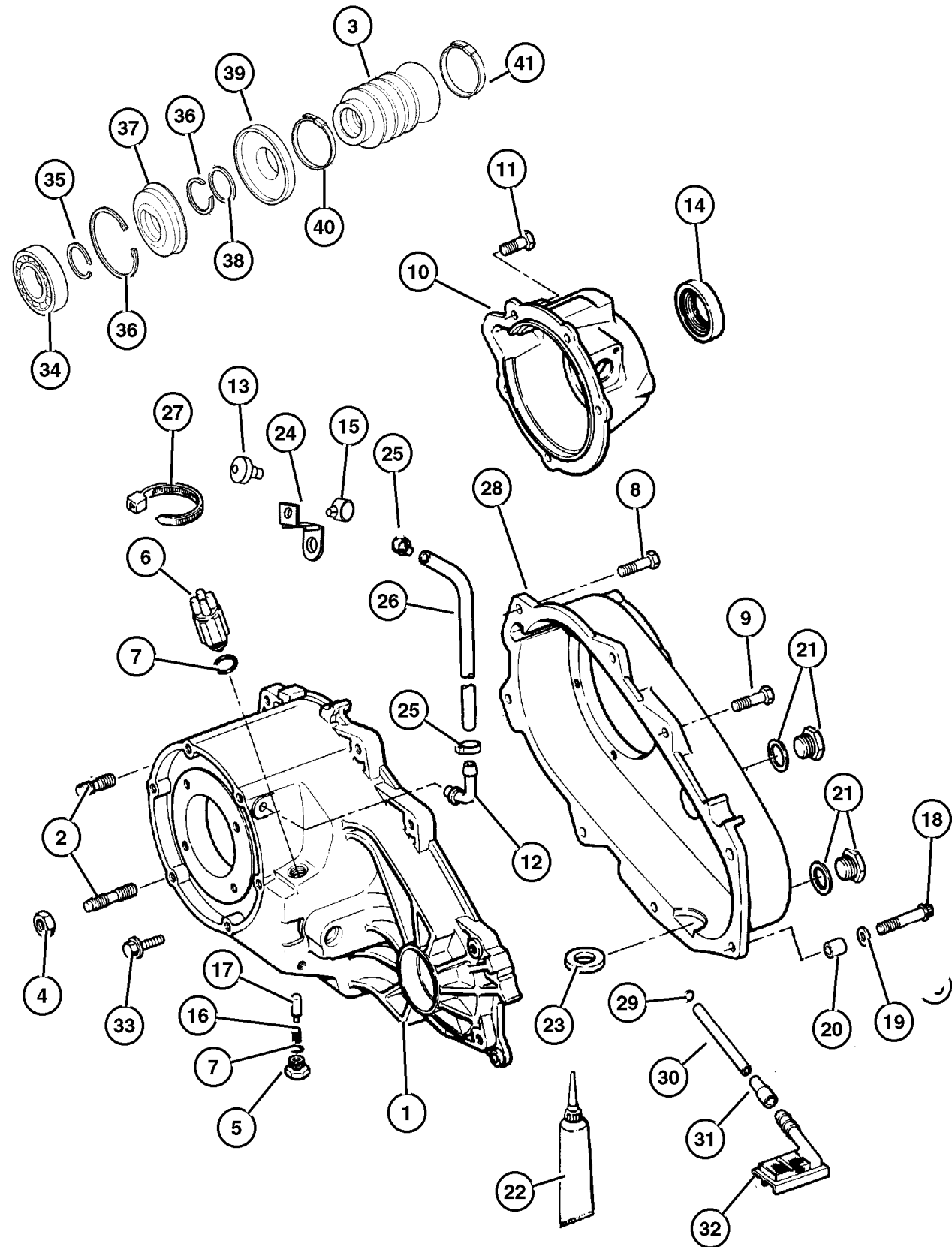
JEEP WRANGLER (TJ)

SERIES	LINE	BODY	ENGINE	TRANSMISSION
L=Low Line	J = Wrangler 4WD U = Wrangler 4WD (RHD)	77 = 93.4 WB	EPE, EP0 = 2.5L Power Tech ERH, ER0 = 4.0L Power Tech	DGG, DGD = 32RH 3 Spd. Auto. DDQ = 5 Spd. Manual DG0 = All Auto. Trans. DBB =All Manual Trans.

AR = Use as required - = Non illustrated part # = New this model year

June 7, 2002

Case and Related Parts Command Trac (DHN)
Figure 231-210



ITEM	PART NUMBER	QTY	LINE	SERIES	ENGINE	TRANS	DESCRIPTION
		1			EP0	DDQ	1999 TJ
		1			ER0	DBB	1999 TJ
36	J813 4488	2			EP0		SNAP RING Rear Bearing I.D. Retaining, 1997 TJ
		2			EP0	DDQ	Rear Bearing I.D. Retaining, 1997 TJ
		2			EN0, ER0	DG0	Rear Bearing I.D. Retaining, 1997 TJ
		2			ER0		Rear Bearing I.D. Ret, 1998 TJ
		2			EP0	DG0	Rear Bearing I.D. Ret, 1998 TJ
		1			EP0	DDQ	Rear Bearing I.D. Ret, 1998 TJ
		2			EP0, ER0	DG0	1999 TJ
		2			EP0	DDQ	1999 TJ
37	4798 117	2			ER0	DBB	1999 TJ SEAL, Output
		1			EP0	DG0	Oil Rear, 1997 TJ
		1			EP0	DDQ	Oil Rear, 1997 TJ
		1			EN0, ER0		Oil Rear, 1997 TJ
		1			ER0		Oil Rear Out, 1998 TJ
		1			EP0	DG0	Oil Rear Out, 1998 TJ
		AR			EP0	DDQ	Oil Rear Out, 1998 TJ
		1			EP0, ER0	DG0	1999 TJ
		1			EP0	DDQ	1999 TJ
38	4798 118	1			ER0	DBB	1999 TJ WASHER
		1			EP0	DDQ	Slinger Locating, 1997 TJ
		1			EN0, ER0		Slinger Locating, 1997 TJ
		1			EP0	DG0	Slinger Locating, 1997 TJ, 1998 TJ
		1			ER0		Slinger Locating, 1998 TJ
		AR			EP0	DDQ	Slinger Locating, 1998 TJ
		1			EP0	DDQ	1999 TJ
		1			EP0, ER0	DG0	1999 TJ
		1			ER0	DBB	1999 TJ
39	4798 119	1			EN0, ER0		1997 TJ SLINGER, Oil
		1			EP0	DG0	1997 TJ, 1998 TJ
		1			EP0	DDQ	1997 TJ, 1999 TJ
		1			ER0		1998 TJ

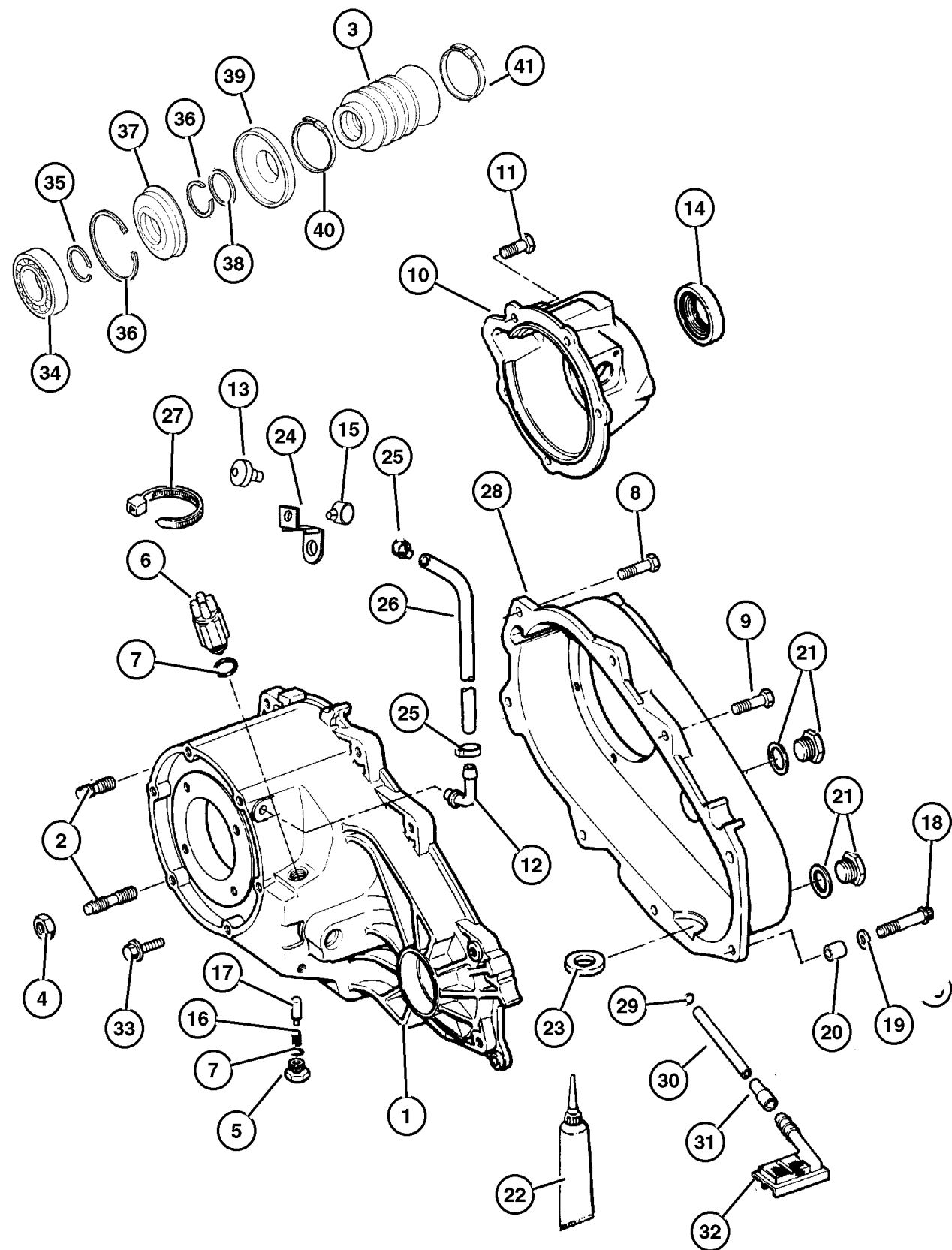
JEEP WRANGLER (TJ)

SERIES	LINE	BODY	ENGINE	TRANSMISSION
L=Low Line	J = Wrangler 4WD U = Wrangler 4WD (RHD)	77 = 93.4 WB	EPE, EP0 = 2.5L Power Tech ERH, ER0 = 4.0L Power Tech	DGG, DGD = 32RH 3 Spd. Auto. DDQ = 5 Spd. Manual DG0 = All Auto. Trans. DBB =All Manual Trans.

AR = Use as required - = Non illustrated part # = New this model year

June 7, 2002

Case and Related Parts Command Trac (DHN)
Figure 231-210



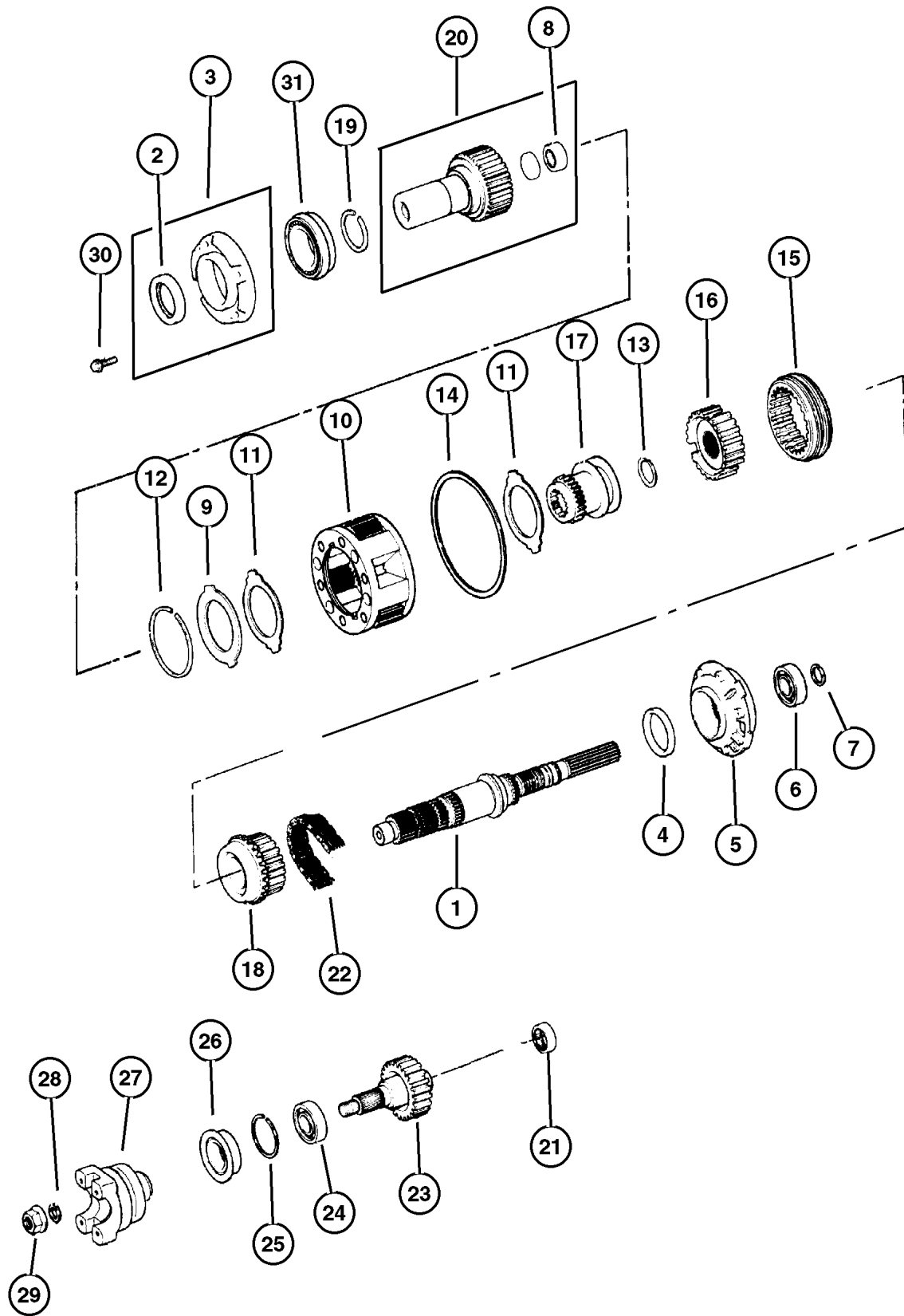
ITEM	PART NUMBER	QTY	LINE	SERIES	ENGINE	TRANS	DESCRIPTION
		AR			EPO	DDQ	1998 TJ
		1			EPO, ERO	DG0	1999 TJ
		1			ERO	DBB	1999 TJ
40							CLAMP, Boot
	4798 121	1			ENO, ERO		1997 TJ
		1			EPO	DG0	1997 TJ, 1998 TJ
		1			EPO	DDQ	1997 TJ, 1999 TJ
		1			ERO		1998 TJ
		AR			EPO	DDQ	1998 TJ
		1			EPO, ERO	DG0	1999 TJ
		1			ERO	DBB	1999 TJ
41							CLAMP, Boot
	4798 122	1			ENO, ERO		1997 TJ
		1			EPO	DG0	1997 TJ, 1998 TJ
		1			EPO	DDQ	1997 TJ, 1999 TJ
		1			ERO		1998 TJ
		AR			EPO	DDQ	1998 TJ
		1			EPO, ERO	DG0	1999 TJ
		1			ERO	DBB	1999 TJ

JEEP WRANGLER (TJ)
 SERIES LINE BODY ENGINE TRANSMISSION
 L=Low Line J = Wrangler 4WD 77 = 93.4 WB EPE, EP0 = 2.5L Power Tech DGG, DGD = 32RH 3 Spd. Auto.
 U = Wrangler 4WD (RHD) ERH, ER0 = 4.0L Power Tech DDQ = 5 Spd. Manual
 DG0 = All Auto. Trans.
 DBB =All Manual Trans.

AR = Use as required - = Non illustrated part # = New this model year

June 7, 2002

**Gear Train Command Trac (DHN)
Figure 231-410**



ITEM	PART NUMBER	QTY	LINE	SERIES	ENGINE	TRANS	DESCRIPTION
Note: J=Dana 35 Rear Axle---DRK=Dana 44 Rear Axle							
DDQ = 5 Speed Manual Transmission J=Dana 35 Rear Axle---DRK=Dana 44 Rear Axle							
DG0 = All Automatic Transmissions J=Dana 35 Rear Axle---DRK=Dana 44 Rear Axle							
ENC = 2.5L 4 Cyl Turbo Diesel Engine J=Dana 35 Rear Axle---DRK=Dana 44 Rear Axle							
EN0 = All 4 Cyl Turbo Diesel Engines J=Dana 35 Rear Axle---DRK=Dana 44 Rear Axle							
EPE = 2.5L SMPi MAGNUM 4 Cyl Engine J=Dana 35 Rear Axle---DRK=Dana 44 Rear Axle							
EP0 = All 2.5L 4 Cyl Gas Engines J=Dana 35 Rear Axle---DRK=Dana 44 Rear Axle							
ERH = 4.0L Power Tech Engine J=Dana 35 Rear Axle---DRK=Dana 44 Rear Axle							
ER0 = All 4.0L 6 Cyl Gas Engines J=Dana 35 Rear Axle---DRK=Dana 44 Rear Axle							
1							MAINSHAFT, Transfer Case
	4798 114	1			EP0	DG0	1997 TJ
		1			EN0, ER0		1997 TJ
		1			EP0	DDQ	1997 TJ, 1999 TJ
		1			ER0		Main Drive, 1998 TJ
		1			EP0	DG0	Main Drive, 1998 TJ
		AR			EP0	DDQ	Main Drive, 1998 TJ
		1			EP0, ER0	DG0	1999 TJ
2							SEAL, Input Gear
	4167 929	1			EP0	DG0	1997 TJ
		1			EP0	DDQ	1997 TJ
		1			EN0, ER0		1997 TJ
		1			ER0		Input, 1998 TJ
		1			EP0	DG0	Input, 1998 TJ
		1			EP0	DDQ	Input, 1998 TJ, 1999 TJ
		1			EP0, ER0	DG0	1999 TJ
3							EXTENSION, Transfer Case
	4338 973	1			EP0	DDQ	
		1			EN0, ER0		1997 TJ
		1			EP0	DG0	1997 TJ, 1998 TJ
		1			ER0		1998 TJ
		1			EP0, ER0	DG0	1999 TJ
4							SEAL, Main Shaft
	4210 603	1			EP0	DG0	1997 TJ
		1			EP0	DDQ	1997 TJ
		1			EN0, ER0		1997 TJ
		1			ER0		Oil, 1998 TJ

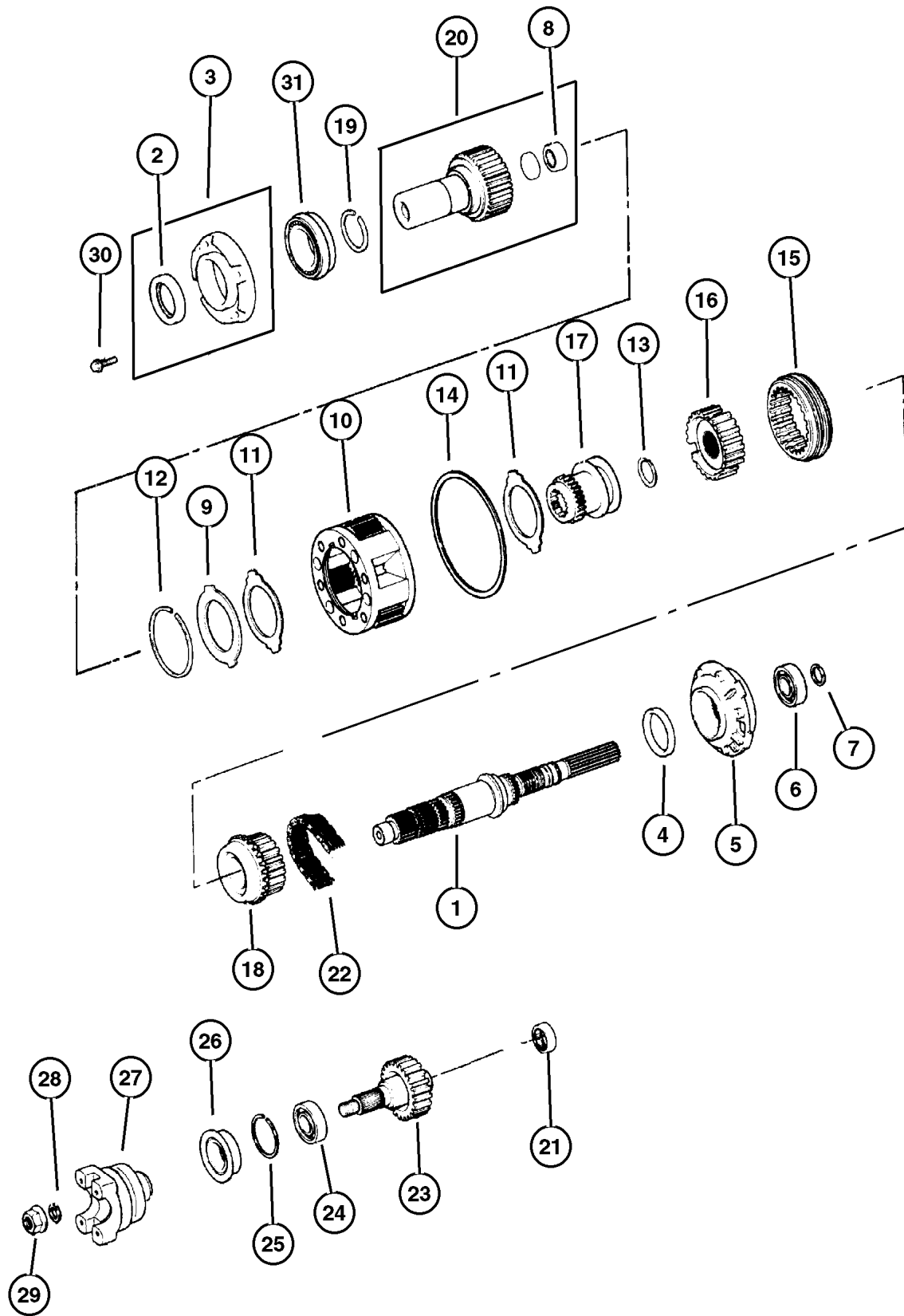
JEEP WRANGLER (TJ)

SERIES	LINE	BODY	ENGINE	TRANSMISSION
L=Low Line	J = Wrangler 4WD U = Wrangler 4WD (RHD)	77 = 93.4 WB	EPE, EP0 = 2.5L Power Tech ERH, ER0 = 4.0L Power Tech	DGG, DGD = 32RH 3 Spd. Auto. DDQ = 5 Spd. Manual DG0 = All Auto. Trans. DBB =All Manual Trans.

AR = Use as required - = Non illustrated part # = New this model year

June 7, 2002

**Gear Train Command Trac (DHN)
Figure 231-410**



ITEM	PART NUMBER	QTY	LINE	SERIES	ENGINE	TRANS	DESCRIPTION
		1			EP0	DG0	Oil, 1998 TJ
		1			EP0	DDQ	Oil, 1998 TJ, 1999 TJ
		1			EP0, ER0	DG0	1999 TJ
5							PUMP, Transfer Case Oil
	4338 936	1			EP0	DG0	1997 TJ
		1			EP0	DDQ	1997 TJ
		1			EN0, ER0		1997 TJ
		1			ER0		Oil Pump, 1998 TJ
		1			EP0	DG0	Oil Pump, 1998 TJ
		1			EP0	DDQ	Oil Pump, 1998 TJ, 1999 TJ
		1			EP0, ER0	DG0	1999 TJ
6							BEARING
	4338 892	1			EP0	DDQ	
		1			EP0	DG0	1997 TJ
		1			EN0, ER0		1997 TJ
		2			ER0		1998 TJ
		2			EP0	DG0	1998 TJ
		1			EP0, ER0	DG0	1999 TJ
7							SNAP RING
	J813 4488	2			EP0		1997 TJ
		2			EN0, ER0	DG0	1997 TJ
		2			EP0	DDQ	1997 TJ, 1999 TJ
		2			ER0		1998 TJ
		2			EP0	DG0	1998 TJ
		1			EP0	DDQ	1998 TJ
		2			ER0	DBB	1999 TJ
		2			EP0, ER0	DG0	1999 TJ
8							BEARING, Input Shaft
	8350 3507	1			EP0	DDQ	1997 TJ
		1			EP0	DG0	1997 TJ
		1			EN0, ER0		1997 TJ
		1			ER0		Pilot, 1998 TJ
		1			EP0	DG0	Pilot, 1998 TJ
		1			EP0	DDQ	Pilot, 1998 TJ, 1999 TJ

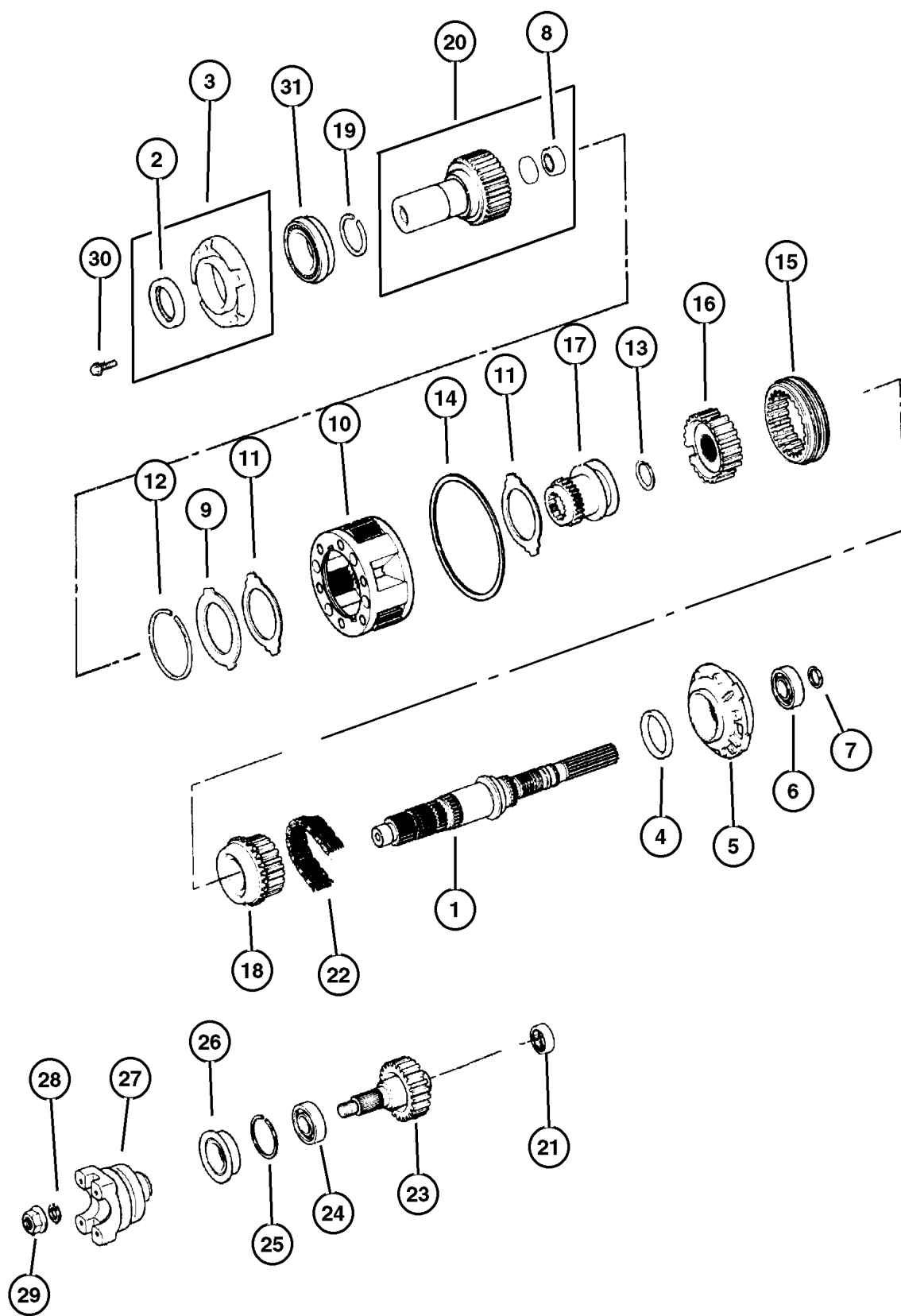
JEEP WRANGLER (TJ)

SERIES	LINE	BODY	ENGINE	TRANSMISSION
L=Low Line	J = Wrangler 4WD U = Wrangler 4WD (RHD)	77 = 93.4 WB	EPE, EP0 = 2.5L Power Tech ERH, ER0 = 4.0L Power Tech	DGG, DGD = 32RH 3 Spd. Auto. DDQ = 5 Spd. Manual DG0 = All Auto. Trans. DBB =All Manual Trans.

AR = Use as required - = Non illustrated part # = New this model year

June 7, 2002

**Gear Train Command Trac (DHN)
Figure 231-410**



ITEM	PART NUMBER	QTY	LINE	SERIES	ENGINE	TRANS	DESCRIPTION
		1			EP0, ERO	DG0	1999 TJ
9	4338 909	1			EP0	DG0	RING 1997 TJ
		1			EP0	DDQ	1997 TJ
		1			EN0, ERO		1997 TJ
		1			ER0		Strut Retaining, 1998 TJ
		1			EP0	DG0	Strut Retaining, 1998 TJ
		1			EP0	DDQ	Strut Retaining, 1998 TJ, 1999 TJ
		1			EP0, ERO	DG0	1999 TJ
10	4796 903	1			EP0	DG0	GEAR, Low Range Planetary 1997 TJ
		1			EN0, ERO		1997 TJ
		1			ER0		Planetary Transfer Case, 1998 TJ
		1			EP0	DG0	Planetary Transfer Case, 1998 TJ
		1			EP0	DDQ	Planetary Transfer Case, 1998 TJ, 1999 TJ
		1			EP0, ERO	DG0	1999 TJ
11	4338 908	2			EP0	DG0	THRUST WASHER, Planetary Carrier 1997 TJ
		2			ER0		Thrust, 1998 TJ
		2			EP0	DG0	Thrust, 1998 TJ
		1			EP0	DDQ	Thrust, 1998 TJ
		2			EP0	DDQ	1999 TJ
		2			ER0	DBB	1999 TJ
		2			EP0, ERO	DG0	1999 TJ
12	4338 910	1			EP0	DG0	SNAP RING 1997 TJ
		1			ER0		Snap, Planetary Carrier, 1998 TJ
		1			EP0	DG0	Snap, Planetary Carrier, 1998 TJ
		1			EP0	DDQ	Snap, Planetary Carrier, 1998 TJ, 1999 TJ
		1			EP0, ERO	DG0	1999 TJ
13	4338 933	1			EP0	DDQ	SNAP RING 1997 TJ
		1			ER0		Retaining, 1998 TJ
		1			EP0	DG0	Retaining, 1998 TJ
		1			EP0	DDQ	Retaining, 1998 TJ, 1999 TJ

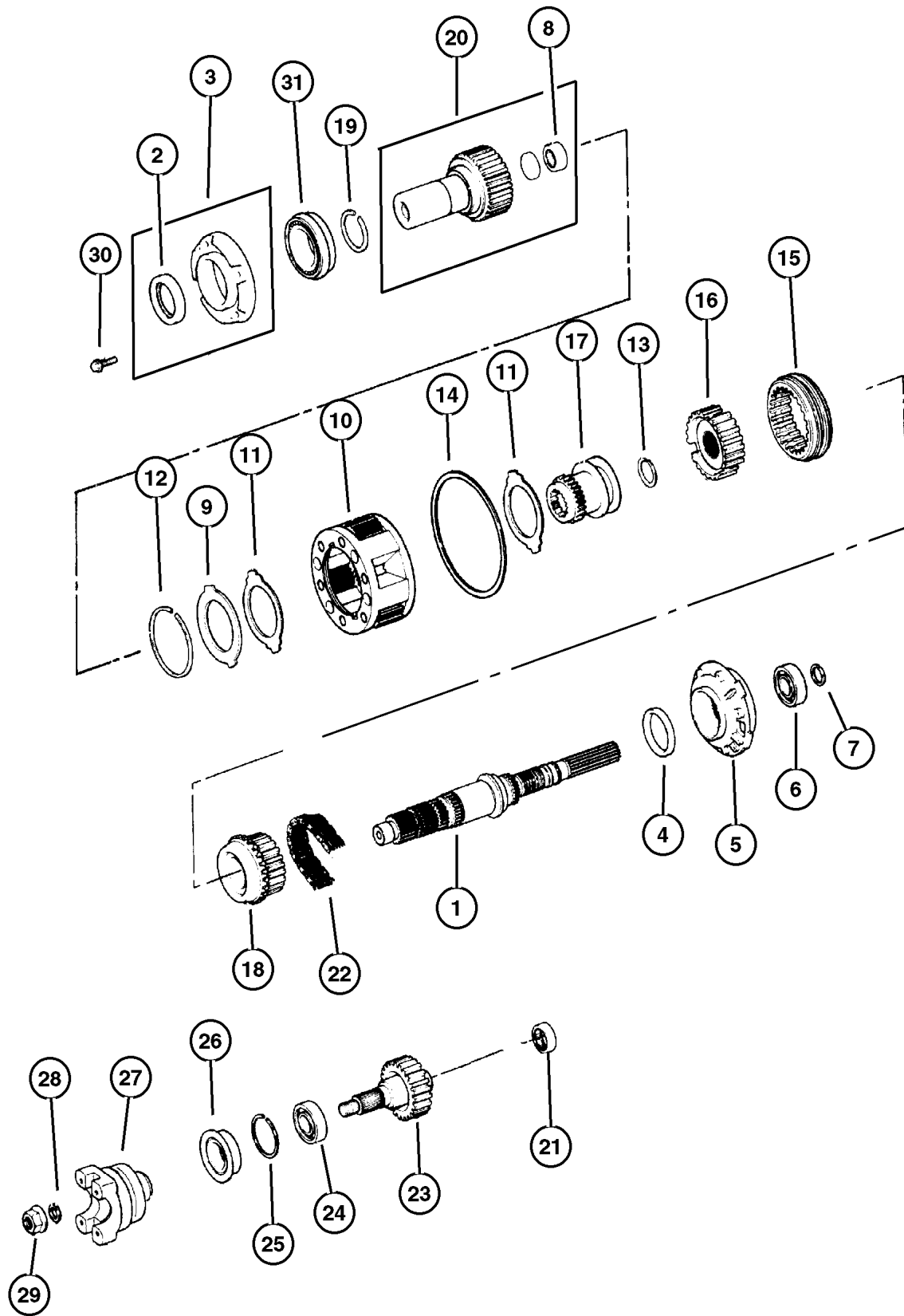
JEEP WRANGLER (TJ)

SERIES	LINE	BODY	ENGINE	TRANSMISSION
L=Low Line	J = Wrangler 4WD U = Wrangler 4WD (RHD)	77 = 93.4 WB	EPE, EP0 = 2.5L Power Tech ERH, ER0 = 4.0L Power Tech	DGG, DGD = 32RH 3 Spd. Auto. DDQ = 5 Spd. Manual DG0 = All Auto. Trans. DBB =All Manual Trans.

AR = Use as required - = Non illustrated part # = New this model year

June 7, 2002

**Gear Train Command Trac (DHN)
Figure 231-410**



ITEM	PART NUMBER	QTY	LINE	SERIES	ENGINE	TRANS	DESCRIPTION
		1			EP0, ERO	DG0	1999 TJ
14	4219 065	1			EP0, EN0, ERO	DG0	SNAP RING, Annulus Gear 1997 TJ 1997 TJ
		1			ER0		Annulus, 1998 TJ
		1			EP0	DG0	Annulus, 1998 TJ
		1			EP0	DDQ	Annulus, 1998 TJ, 1999 TJ
		1			EP0, ERO	DG0	1999 TJ
15	4796 909	1			EP0	DDQ	SLEEVE, Mode Synchronizer
		1			EP0	DG0	1997 TJ, 1998 TJ
		1			ER0		1998 TJ
		1			EP0, ERO	DG0	1999 TJ
16	4741 240	1			EP0	DDQ	HUB, Synchronizer Mode
		1			ER0		1998 TJ
		1			EP0	DG0	1998 TJ
		1			EP0, ERO	DG0	1999 TJ
17	4797 013	1			EN0, ERO		SLEEVE, Range Fork 1997 TJ
		1			ER0		Range Shift, 1998 TJ
		1			EP0	DG0	Range Shift, 1998 TJ
		1			EP0	DDQ	Range Shift, 1998 TJ, 1999 TJ
		1			EP0, ERO	DG0	1999 TJ
18	4796 908	1			EN0, ERO		SPROCKET, Transfer Case 1997 TJ
		1			ER0		Drive, 1998 TJ
		1			EP0	DG0	Drive, 1998 TJ
		1			EP0	DDQ	Drive, 1998 TJ, 1999 TJ
		1			EP0, ERO	DG0	1999 TJ
19	3821 558	1			EN0, ERO		SNAP RING 1997 TJ
		1			ER0		Snap Bearing Retaining, 1998 TJ

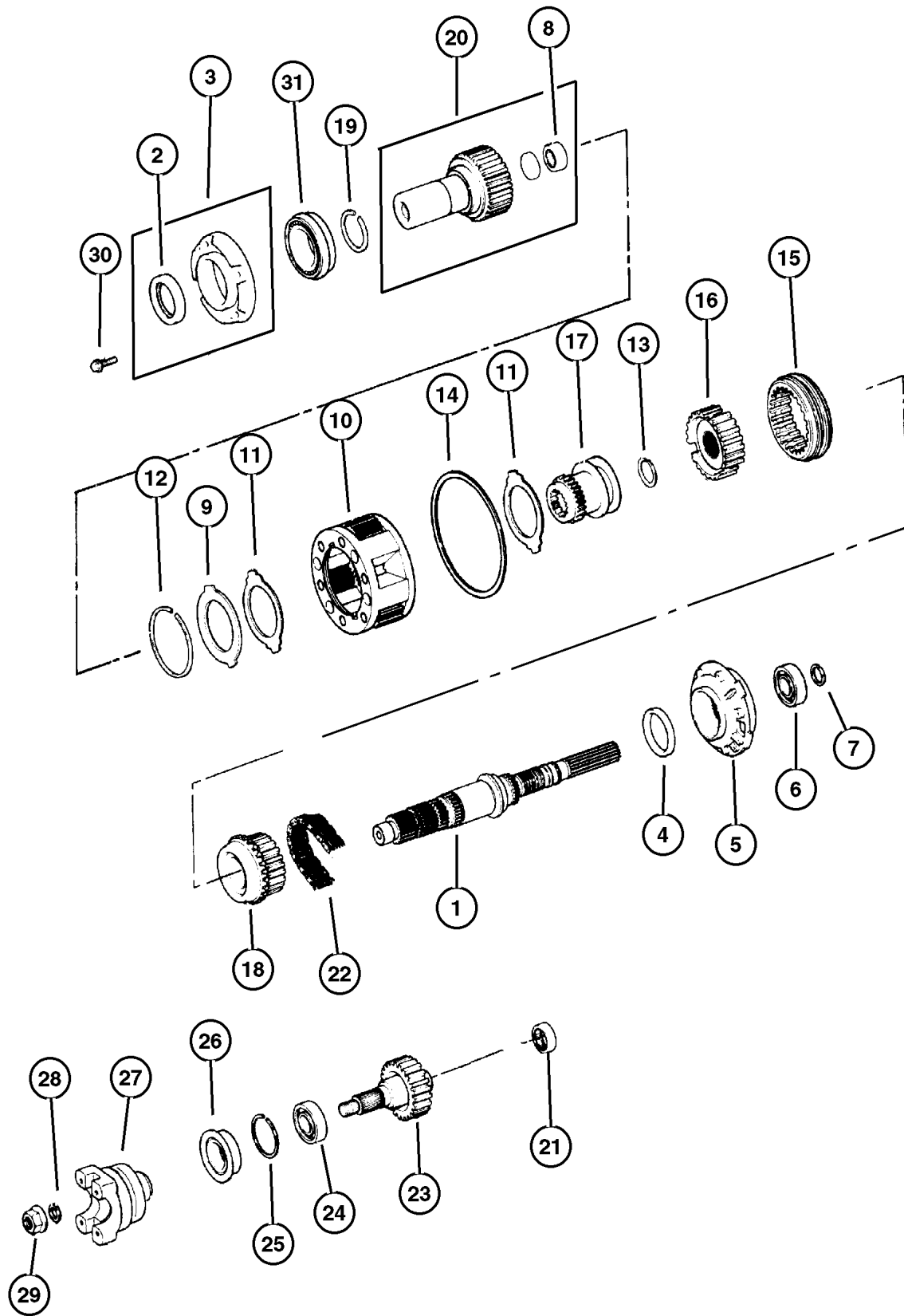
JEEP WRANGLER (TJ)

SERIES	LINE	BODY	ENGINE	TRANSMISSION
L=Low Line	J = Wrangler 4WD U = Wrangler 4WD (RHD)	77 = 93.4 WB	EPE, EP0 = 2.5L Power Tech ERH, ER0 = 4.0L Power Tech	DGG, DGD = 32RH 3 Spd. Auto. DDQ = 5 Spd. Manual DG0 = All Auto. Trans. DBB =All Manual Trans.

AR = Use as required - = Non illustrated part # = New this model year

June 7, 2002

Gear Train Command Trac (DHN) Figure 231-410



ITEM	PART NUMBER	QTY	LINE	SERIES	ENGINE	TRANS	DESCRIPTION
		1			EP0	DG0	Snap Bearing Retaining, 1998 TJ
		2			EP0	DDQ	Snap Bearing Retaining, 1998 TJ
		1			EP0	DDQ	1999 TJ
		1			ER0	DBB	1999 TJ
		1			EP0,	DG0	1999 TJ
20					ER0		GEAR, Input
	4796 956	1			EP0	DDQ	
	4796 965	1			EN0,		1997 TJ
		1			ER0		
		1			EP0	DG0	1997 TJ, 1998 TJ
		1			ER0		1998 TJ
		1			EP0,	DG0	1999 TJ
21					ER0		BEARING, Output Shaft
	4269 189	1			EP0	DG0	Rear, 1997 TJ
		1			EP0	DDQ	Rear, 1997 TJ
		1			EN0,		Rear, 1997 TJ
		1			ER0		Front Output Rear, 1998 TJ
		1			EP0	DG0	Front Output Rear, 1998 TJ
		1			EP0	DDQ	Front Output Rear, 1998 TJ, 1999 TJ
		1			EP0,	DG0	1999 TJ
					ER0		
22							CHAIN, Transfer Case
	4338 935	1			EP0	DG0	1997 TJ
		1			EP0	DDQ	1997 TJ
		1			EN0,		1997 TJ
					ER0		
		1			ER0		Drive Transfer, 1998 TJ
		1			EP0	DG0	Drive Transfer, 1998 TJ
		1			EP0	DDQ	Drive Transfer, 1998 TJ, 1999 TJ
		1			EP0,	DG0	1999 TJ
					ER0		
23							OUTPUT SHAFT, Transfer Case
	4338 934	1			EP0	DG0	1997 TJ
		1			EP0	DDQ	1997 TJ
		1			EN0,		1997 TJ
					ER0		
		1			ER0		Output, 231 Transfer Case, 1998 TJ
		1			EP0	DG0	Output, 231 Transfer Case, 1998 TJ
		1			EP0	DDQ	Output, 231 Transfer Case, 1998 TJ, 1999 TJ

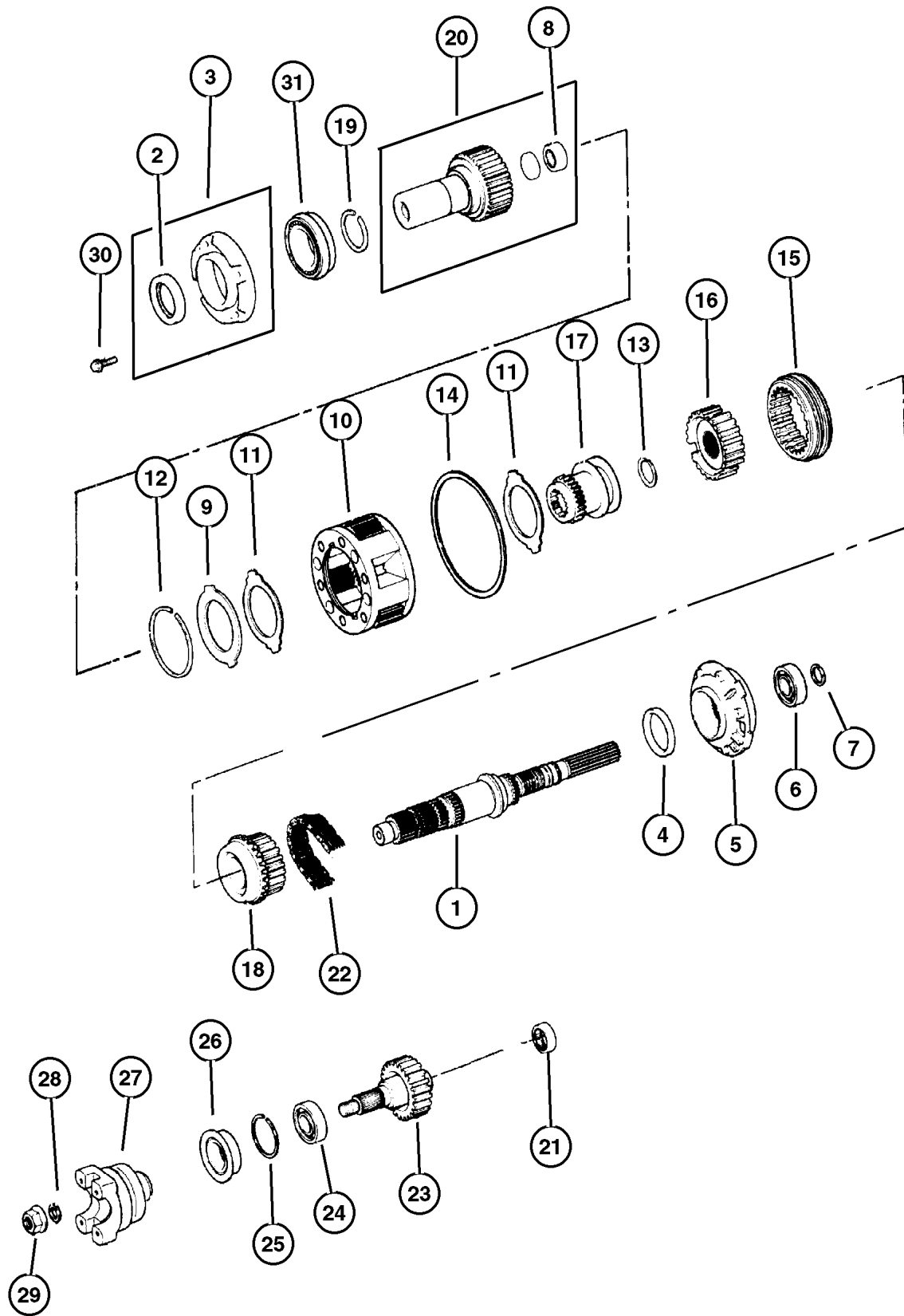
JEEP WRANGLER (TJ)

SERIES	LINE	BODY	ENGINE	TRANSMISSION
L=Low Line	J = Wrangler 4WD U = Wrangler 4WD (RHD)	77 = 93.4 WB	EPE, EP0 = 2.5L Power Tech ERH, ER0 = 4.0L Power Tech	DGG, DGD = 32RH 3 Spd. Auto. DDQ = 5 Spd. Manual DG0 = All Auto. Trans. DBB =All Manual Trans.

AR = Use as required - = Non illustrated part # = New this model year

June 7, 2002

**Gear Train Command Trac (DHN)
Figure 231-410**



ITEM	PART NUMBER	QTY	LINE	SERIES	ENGINE	TRANS	DESCRIPTION
		1			EP0, ERO	DG0	1999 TJ
24	4338 892	1			EP0	DG0	BEARING Front, 1997 TJ
		1			EP0	DDQ	Front, 1997 TJ
		1			EN0, ERO		Front, 1997 TJ
		2			ER0		Output Shaft Front, 1998 TJ
		2			EP0	DG0	Output Shaft Front, 1998 TJ
		1			EP0	DDQ	Output Shaft Front, 1998 TJ, 1999 TJ
		1			EP0, ERO	DG0	1999 TJ
25	4338 894	1			EP0	DG0	SNAP RING, Bearing 1997 TJ
		1			EP0	DDQ	1997 TJ
		1			EN0, ERO		1997 TJ
		1			ER0		Retaining, 1998 TJ
		1			EP0	DG0	Retaining, 1998 TJ
		1			EP0	DDQ	Retaining, 1998 TJ, 1999 TJ
		1			EP0, ERO	DG0	1999 TJ
26	4798 112	1			EP0	DG0	SEAL, Input 1997 TJ
		1			EN0, ERO		1997 TJ
		1			EP0	DDQ	1997 TJ, 1999 TJ
		1			ER0		Oil, Front Output Shaft Yoke, 1998 TJ
		1			EP0	DG0	Oil, Front Output Shaft Yoke, 1998 TJ
		AR			EP0	DDQ	Oil, Front Output Shaft Yoke, 1998 TJ
		1			ER0	DBB	1999 TJ
		1			EP0, ERO	DG0	1999 TJ
27	4798 120	1			EP0	DG0	YOKE, Transfer Case Output 1997 TJ
		1			EN0, ERO		1997 TJ
		1			EP0	DDQ	1997 TJ, 1999 TJ
		1			ER0		Yoke, Front Output Shaft, With Slinger, 1998 TJ
		1			EP0	DG0	Yoke, Front Output Shaft, With Slinger, 1998 TJ
		AR			EP0	DDQ	Yoke, Front Output Shaft, With Slinger, 1998 TJ
		1			EP0, ERO	DG0	1999 TJ
28					EP0, ERO		WASHER, Flat

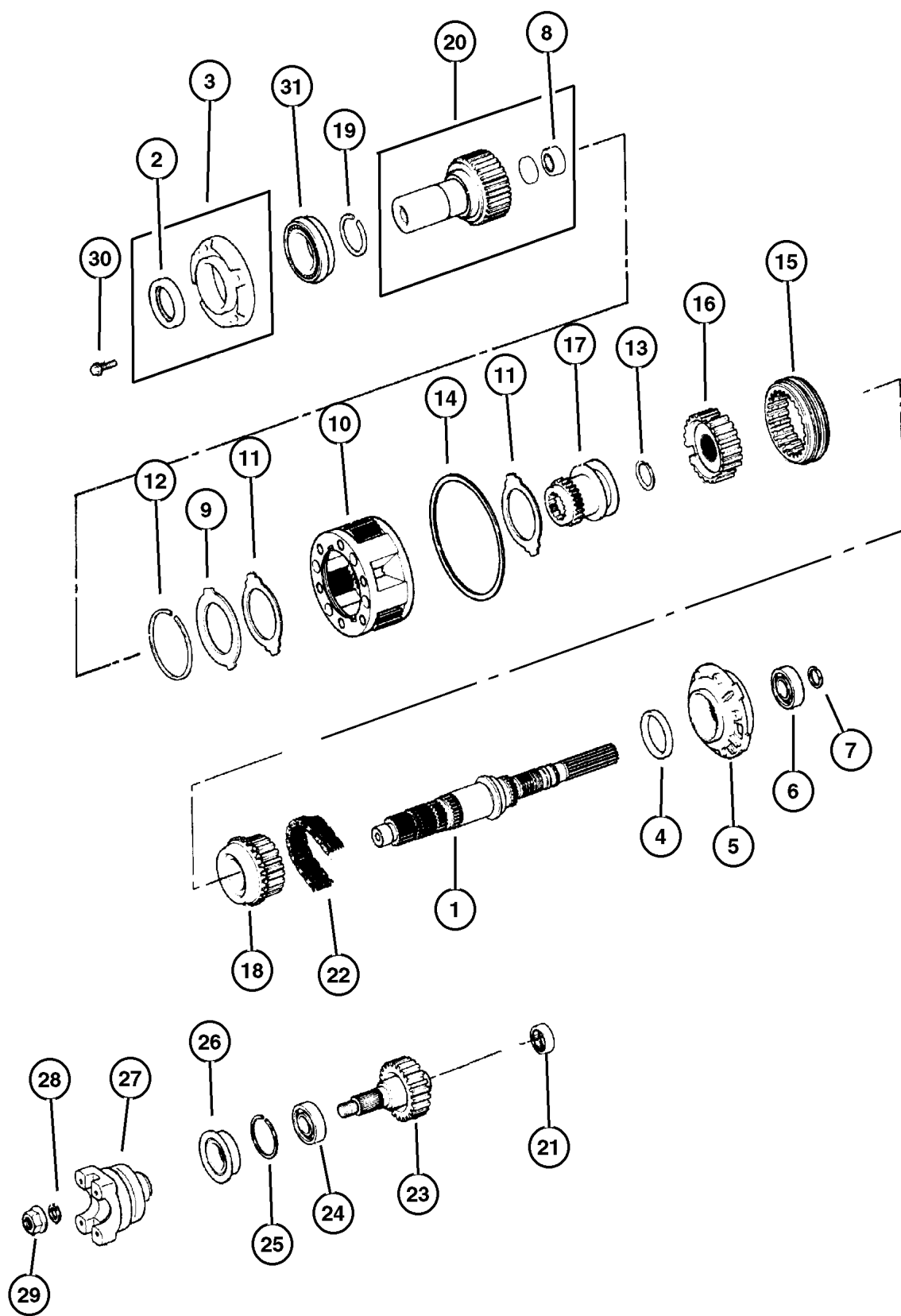
JEEP WRANGLER (TJ)

SERIES	LINE	BODY	ENGINE	TRANSMISSION
L=Low Line	J = Wrangler 4WD U = Wrangler 4WD (RHD)	77 = 93.4 WB	EPE, EP0 = 2.5L Power Tech ERH, ER0 = 4.0L Power Tech	DGG, DGD = 32RH 3 Spd. Auto. DDQ = 5 Spd. Manual DG0 = All Auto. Trans. DBB =All Manual Trans.

AR = Use as required - = Non illustrated part # = New this model year

June 7, 2002

**Gear Train Command Trac (DHN)
Figure 231-410**



ITEM	PART NUMBER	QTY	LINE	SERIES	ENGINE	TRANS	DESCRIPTION
	4446 487	1			EP0	DDQ	Yoke
		1			EP0	DG0	1997 TJ
		1			EN0, ER0		1997 TJ
		1			ER0		Yoke, 1998 TJ
		1			EP0	DG0	Yoke, 1998 TJ
		1			EP0, ER0	DG0	1999 TJ
29							NUT, Hex Flange
	4446 488	1			EP0	DG0	1997 TJ
		1			EP0	DDQ	1997 TJ
		1			EN0, ER0		1997 TJ
		1			ER0		Front Output Shaft Yoke, 1998 TJ
		1			EP0	DG0	Front Output Shaft Yoke, 1998 TJ
		1			EP0	DDQ	Front Output Shaft Yoke, 1998 TJ, 1999 TJ
		1			EP0, ER0	DG0	1999 TJ
30							BOLT
	6500 318	1			EP0	DG0	1997 TJ
		1			EP0	DDQ	1997 TJ
		1			EN0, ER0		1997 TJ
		9			ER0	DBB	1998 TJ
		9			EP0	DDQ	1999 TJ
		9			EP0, ER0	DG0	1999 TJ
31							BEARING, Input Gear
	4746 155	1			EP0	DG0	1997 TJ
		1			EN0, ER0		1997 TJ
		1			EP0	DDQ	1997 TJ, 1999 TJ
		1			ER0		Input, 1998 TJ
		1			EP0	DG0	Input, 1998 TJ
		4			EP0	DDQ	Input, 1998 TJ
		1			EP0, ER0	DG0	1999 TJ

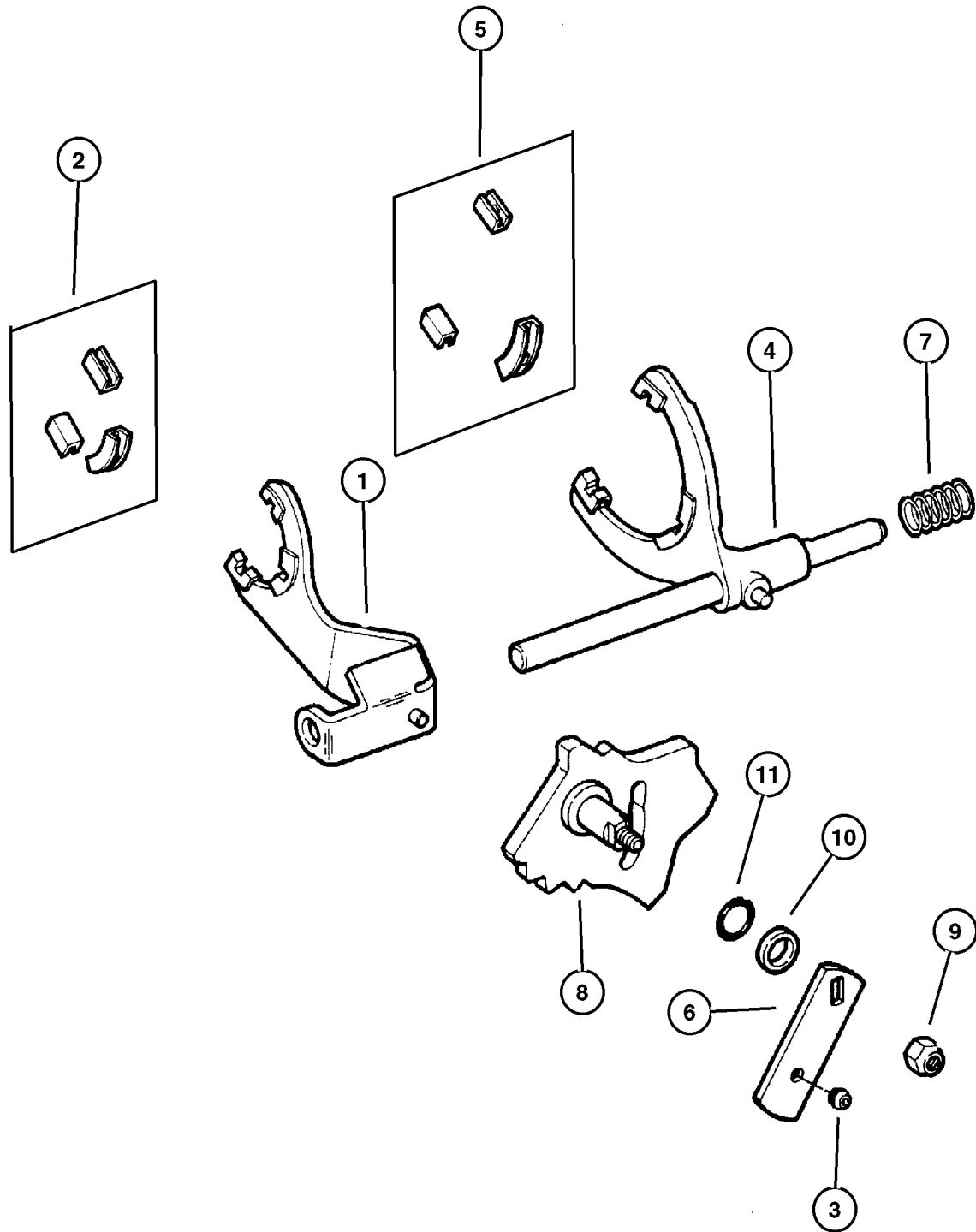
JEEP WRANGLER (TJ)

SERIES	LINE	BODY	ENGINE	TRANSMISSION
L=Low Line	J = Wrangler 4WD U = Wrangler 4WD (RHD)	77 = 93.4 WB	EPE, EP0 = 2.5L Power Tech ERH, ER0 = 4.0L Power Tech	DGG, DGD = 32RH 3 Spd. Auto. DDQ = 5 Spd. Manual DG0 = All Auto. Trans. DBB =All Manual Trans.

AR = Use as required - = Non illustrated part # = New this model year

June 7, 2002

Forks and Rails Command Trac (DHN)
Figure 231-910



ITEM	PART NUMBER	QTY	LINE	SERIES	ENGINE	TRANS	DESCRIPTION
Note: J=Dana 35 Rear Axle---DRK=Dana 44 Rear Axle							
DBB = All Manual Transmissions J=Dana 35 Rear Axle---DRK=Dana 44 Rear Axle							
DDQ = 5 Speed Manual Transmission J=Dana 35 Rear Axle---DRK=Dana 44 Rear Axle							
DG0 = All Automatic Transmissions J=Dana 35 Rear Axle---DRK=Dana 44 Rear Axle							
ENC = 2.5L 4 Cyl Turbo Diesel Engine J=Dana 35 Rear Axle---DRK=Dana 44 Rear Axle							
EN0 = All 4 Cyl Turbo Diesel Engines J=Dana 35 Rear Axle---DRK=Dana 44 Rear Axle							
EPE = 2.5L SMPi MAGNUM 4 Cyl Engine J=Dana 35 Rear Axle---DRK=Dana 44 Rear Axle							
EP0 = All 2.5L 4 Cyl Gas Engines J=Dana 35 Rear Axle---DRK=Dana 44 Rear Axle							
ERH = 4.0L Power Tech Engine J=Dana 35 Rear Axle---DRK=Dana 44 Rear Axle							
ER0 = All 4.0L 6 Cyl Gas Engines J=Dana 35 Rear Axle---DRK=Dana 44 Rear Axle							
1							FORK, Transfer Case Mode Shift
	4638 913	1			EP0	DG0	1997 TJ
		1			EP0	DDQ	1997 TJ
		1			EN0, ER0		1997 TJ
		1			ER0		Range Shift, 1998 TJ
		1			EP0	DG0	Range Shift, 1998 TJ
	4741 237	1			EP0	DDQ	Range Shift, 1998 TJ
		1			EP0, ER0	DG0	1999 TJ
2							PAD, Shift Fork
	4167 969	2			EP0	DG0	1997 TJ
		2			EP0	DDQ	1997 TJ
		2			EN0, ER0		1997 TJ
		2			ER0		Shift Fork, 1998 TJ
		2			EP0	DG0	Shift Fork, 1998 TJ
		1			EP0	DDQ	Shift Fork, 1998 TJ, 1999 TJ
		1			EP0, ER0	DG0	1999 TJ
3							BUSHING, Shift Lever
	5300 4810	1			EP0	DG0	1997 TJ
		1			EP0	DDQ	1997 TJ
		1			EN0, ER0		1997 TJ
		1				DG0	1998 TJ, 1999 TJ
		1			ER0	DBB	1998 TJ, 1999 TJ
		1			EP0	DBB	1998 TJ, 1999 TJ
4							FORK, Transfer Case Mode Shift
	4741 237	1			EP0	DG0	1997 TJ
		1			EP0	DDQ	1997 TJ

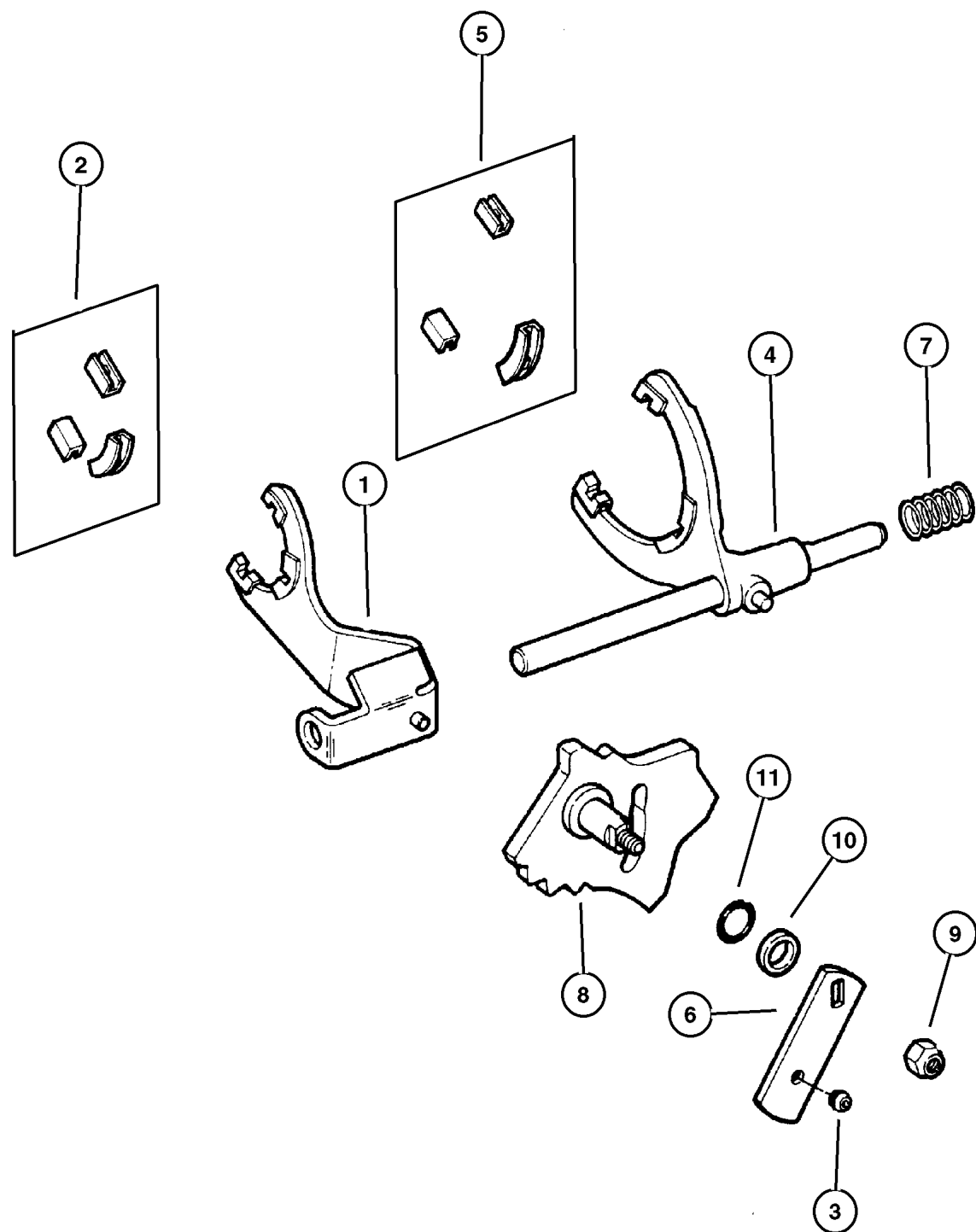
JEEP WRANGLER (TJ)

SERIES	LINE	BODY	ENGINE	TRANSMISSION
L=Low Line	J = Wrangler 4WD U = Wrangler 4WD (RHD)	77 = 93.4 WB	EPE, EP0 = 2.5L Power Tech ERH, ER0 = 4.0L Power Tech	DGG, DGD = 32RH 3 Spd. Auto. DDQ = 5 Spd. Manual DG0 = All Auto. Trans. DBB =All Manual Trans.

AR = Use as required - = Non illustrated part # = New this model year

June 7, 2002

Forks and Rails Command Trac (DHN)
Figure 231-910



ITEM	PART NUMBER	QTY	LINE	SERIES	ENGINE	TRANS	DESCRIPTION
		1			ENO,		1997 TJ
					ERO		
		1			ERO		Mode Shift Transfer Case, 1998 TJ
		1			EPO	DG0	Mode Shift Transfer Case, 1998 TJ
		1			EPO	DDQ	Mode Shift Transfer Case, 1998 TJ, 1999 TJ
		1			EPO,	DG0	1999 TJ
					ERO		
5	4219 073	1			EPO	DDQ	PAD, Shift Fork Center
		1			ENO,		Center, 1997 TJ
					ERO		
		1			EPO	DG0	Center, 1997 TJ, 1998 TJ
		1			ERO		Center, 1998 TJ
		1			EPO,	DG0	1999 TJ
					ERO		
6	5300 4226	1			EPO	DG0	LEVER, Selector 1997 TJ
		1			EPO	DDQ	1997 TJ
		1			ENO,		1997 TJ
					ERO		
		1			ERO		Transfer Case Shift, 1998 TJ
		1			EPO	DG0	Transfer Case Shift, 1998 TJ
		1			EPO	DDQ	Transfer Case Shift, 1998 TJ, 1999 TJ
		1			EPO,	DG0	1999 TJ
					ERO		
7	4338 925	1			EPO	DG0	SPRING, Mode Shift Rail 1997 TJ
		1			EPO	DDQ	1997 TJ
		1			ENO,		1997 TJ
					ERO		
		1			ERO		Mode Shifting Rail, 1998 TJ
		1			EPO	DG0	Mode Shifting Rail, 1998 TJ
		1			EPO	DDQ	Mode Shifting Rail, 1998 TJ, 1999 TJ
		1			EPO,	DG0	1999 TJ
					ERO		
8	4638 845	1			EPO	DG0	SECTOR, Transfer Case 1997 TJ
		1			EPO	DDQ	1997 TJ
		1			ENO,		1997 TJ
					ERO		
		1			ERO		Transfer Case Shifting, 1998 TJ
		1			EPO	DG0	Transfer Case Shifting, 1998 TJ
		1			EPO	DDQ	Transfer Case Shifting, 1998 TJ, 1999 TJ

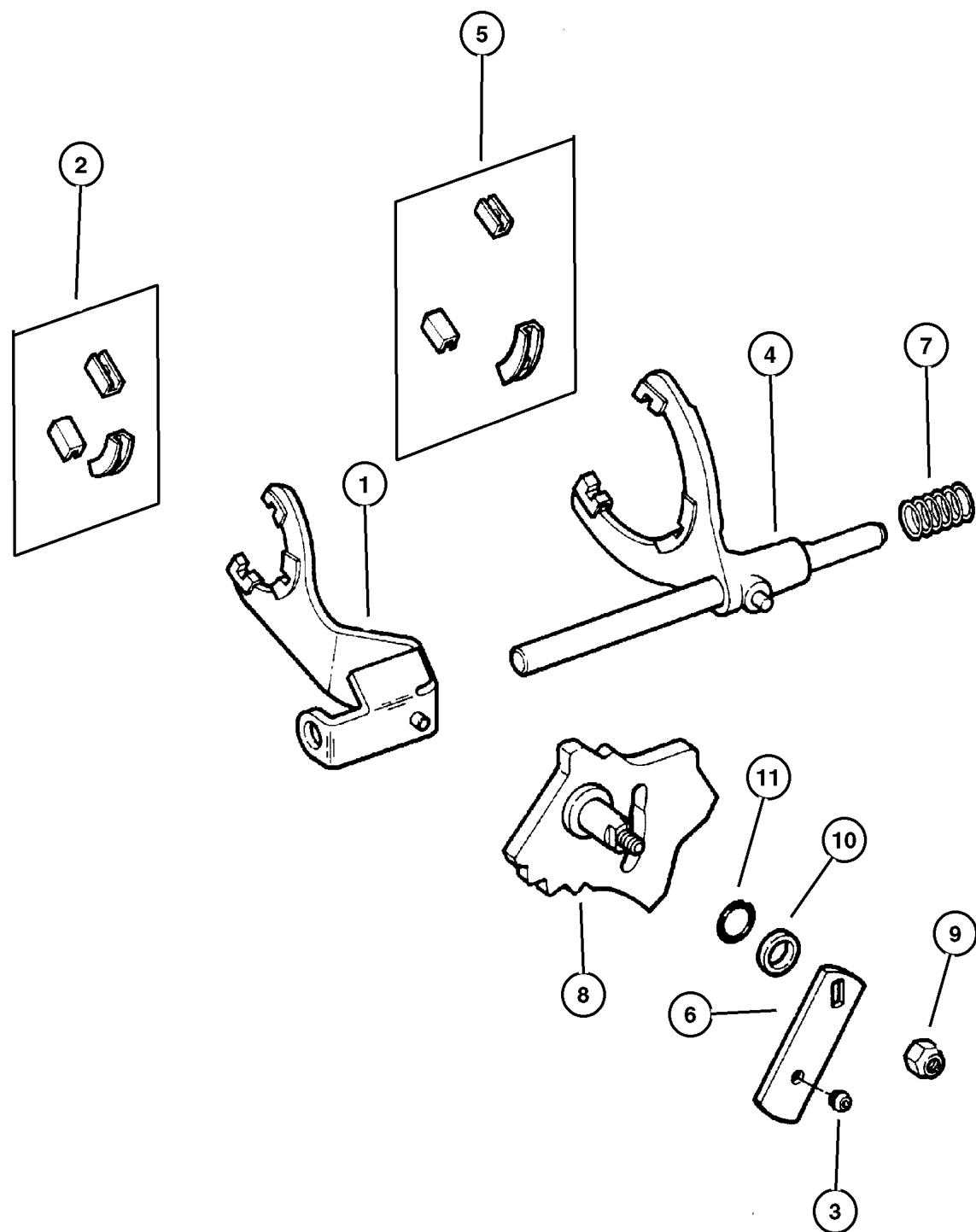
JEEP WRANGLER (TJ)

SERIES	LINE	BODY	ENGINE	TRANSMISSION
L=Low Line	J = Wrangler 4WD U = Wrangler 4WD (RHD)	77 = 93.4 WB	EPE, EP0 = 2.5L Power Tech ERH, ER0 = 4.0L Power Tech	DGG, DGD = 32RH 3 Spd. Auto. DDQ = 5 Spd. Manual DG0 = All Auto. Trans. DBB =All Manual Trans.

AR = Use as required - = Non illustrated part # = New this model year

June 7, 2002

Forks and Rails Command Trac (DHN)
Figure 231-910



ITEM	PART NUMBER	QTY	LINE	SERIES	ENGINE	TRANS	DESCRIPTION
		1			EP0, ER0	DG0	1999 TJ
9	0152 345	1			EP0	DG0	NUT, Hex Flange Lock 1997 TJ
		1			EN0, ER0		1997 TJ
		1			EP0	DDQ	1997 TJ, 1999 TJ
		1			ER0	DBB	1998 TJ
		1			EP0, ER0	DG0	1999 TJ
10	4167 964	1			EP0	DG0	RETAINER, Rear Clutch 1997 TJ
		1			EP0	DDQ	1997 TJ
		1			EN0, ER0		1997 TJ
		1			ER0		Transfer Case Sector, 1998 TJ
		1			EP0	DG0	Transfer Case Sector, 1998 TJ
		1			EP0	DDQ	Transfer Case Sector, 1998 TJ, 1999 TJ
		1			EP0, ER0	DG0	1999 TJ
11	4167 963	1					SEAL, O-Ring
		1			EP0	DG0	1997 TJ
		1			EP0	DDQ	1997 TJ
		1			EN0, ER0		1997 TJ
		1			ER0		Sector Seal, 1998 TJ
		1			EP0	DG0	Sector Seal, 1998 TJ
		1			EP0	DDQ	Sector Seal, 1998 TJ, 1999 TJ
		1			EP0, ER0	DG0	1999 TJ

JEEP WRANGLER (TJ)

SERIES	LINE	BODY	ENGINE	TRANSMISSION
L=Low Line	J = Wrangler 4WD U = Wrangler 4WD (RHD)	77 = 93.4 WB	EPE, EP0 = 2.5L Power Tech ERH, ER0 = 4.0L Power Tech	DGG, DGD = 32RH 3 Spd. Auto. DDQ = 5 Spd. Manual DG0 = All Auto. Trans. DBB =All Manual Trans.

AR = Use as required - = Non illustrated part # = New this model year

June 7, 2002

**Gearshift Controls Command Trac (DHN)
Figure 231-1210**

ITEM	PART NUMBER	QTY	LINE	SERIES	ENGINE	TRANS	DESCRIPTION
------	-------------	-----	------	--------	--------	-------	-------------

Note: J=Dana 35 Rear Axle---DRK=Dana 44 Rear Axle

DBB = All Manual Transmissions J=Dana 35 Rear Axle---DRK=Dana 44 Rear Axle

DG0 = All Automatic Transmissions J=Dana 35 Rear Axle---DRK=Dana 44 Rear Axle

ENC = 2.5L 4 Cyl Turbo Diesel Engine J=Dana 35 Rear Axle---DRK=Dana 44 Rear Axle

EN0 = All 4 Cyl Turbo Diesel Engines J=Dana 35 Rear Axle---DRK=Dana 44 Rear Axle

EPE = 2.5L SMPi MAGNUM 4 Cyl Engine J=Dana 35 Rear Axle---DRK=Dana 44 Rear Axle

EP0 = All 2.5L 4 Cyl Gas Engines J=Dana 35 Rear Axle---DRK=Dana 44 Rear Axle

ERH = 4.0L Power Tech Engine J=Dana 35 Rear Axle---DRK=Dana 44 Rear Axle

ER0 = All 4.0L 6 Cyl Gas Engines J=Dana 35 Rear Axle---DRK=Dana 44 Rear Axle

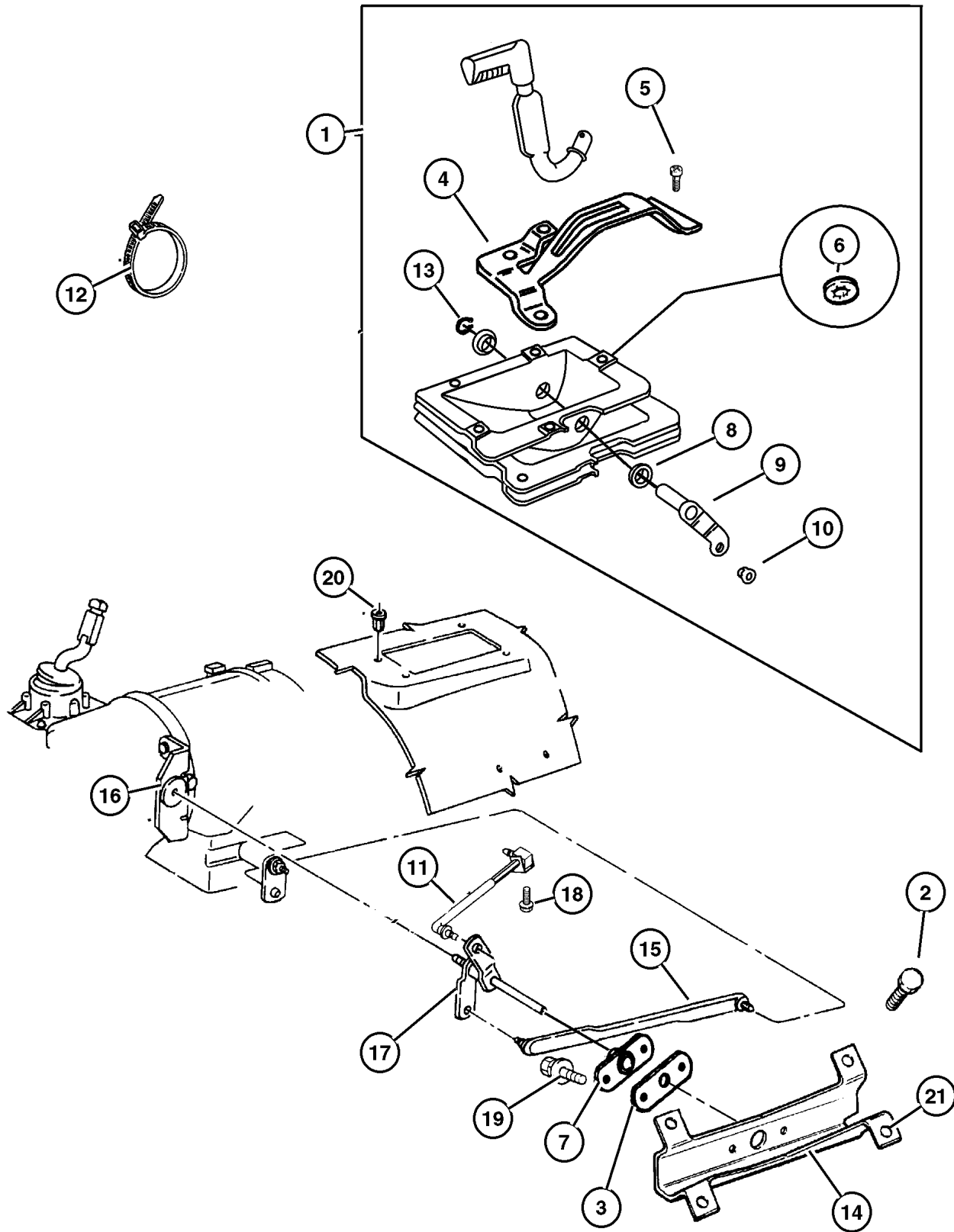
1							SHIFTER, Transfer Case
	52104 080AC	1	J				1998 TJ, 1999 TJ
	5210 4081	1	U				1997 TJ
	52104 081AC	1	U				1998 TJ, 1999 TJ
2							BOLT, Hex Head, M6x1.00x20.00
	6503 811	4					1997 TJ
		4					M6x1.00x20.00, 1998 TJ, 1999 TJ
3	5300 5154	1					GASKET, Gearshift Control Rod
4							GATE, Transfer Case Shifter
							(NOT REQUIRED), 1998 TJ, 1999 TJ
							(NOT SERVICED), 1998 TJ, 1999 TJ
	5300 4715	1	J				1997 TJ
5							SCREW, Hex Head, M5x0.8x16.00
							(NOT REQUIRED), 1998 TJ, 1999 TJ
							(NOT SERVICED), 1998 TJ, 1999 TJ
	3420 1277	1	J				1997 TJ
		1	U				1997 TJ
6							NUT, Push, M5
	6100 839	2					1998 TJ, 1999 TJ
	6503 812	5					M5x0.80x11.09, 1997 TJ
7							BEARING, Transfer Case Shift
	5207 8134	1					1997 TJ, 1999 TJ
		1					Flange, 1998 TJ
8							BUSHING, Shift Control
	5300 0639	2	J				
		2	U				RHD, 1997 TJ
		2	U				1998 TJ, 1999 TJ
9							LEVER, Transfer Case Shifter
	53005 150AB	1	J				
		1	U				RHD, 1997 TJ
		1	U				1998 TJ, 1999 TJ
10							GROMMET, Control Rod Front
	3575 333	AR	J				
		AR	U				RHD, 1997 TJ

JEEP WRANGLER (TJ)

SERIES	LINE	BODY	ENGINE	TRANSMISSION
L=Low Line	J = Wrangler 4WD U = Wrangler 4WD (RHD)	77 = 93.4 WB	EPE, EP0 = 2.5L Power Tech ERH, ER0 = 4.0L Power Tech	DGG, DGD = 32RH 3 Spd. Auto. DDQ = 5 Spd. Manual DG0 = All Auto. Trans. DBB =All Manual Trans.

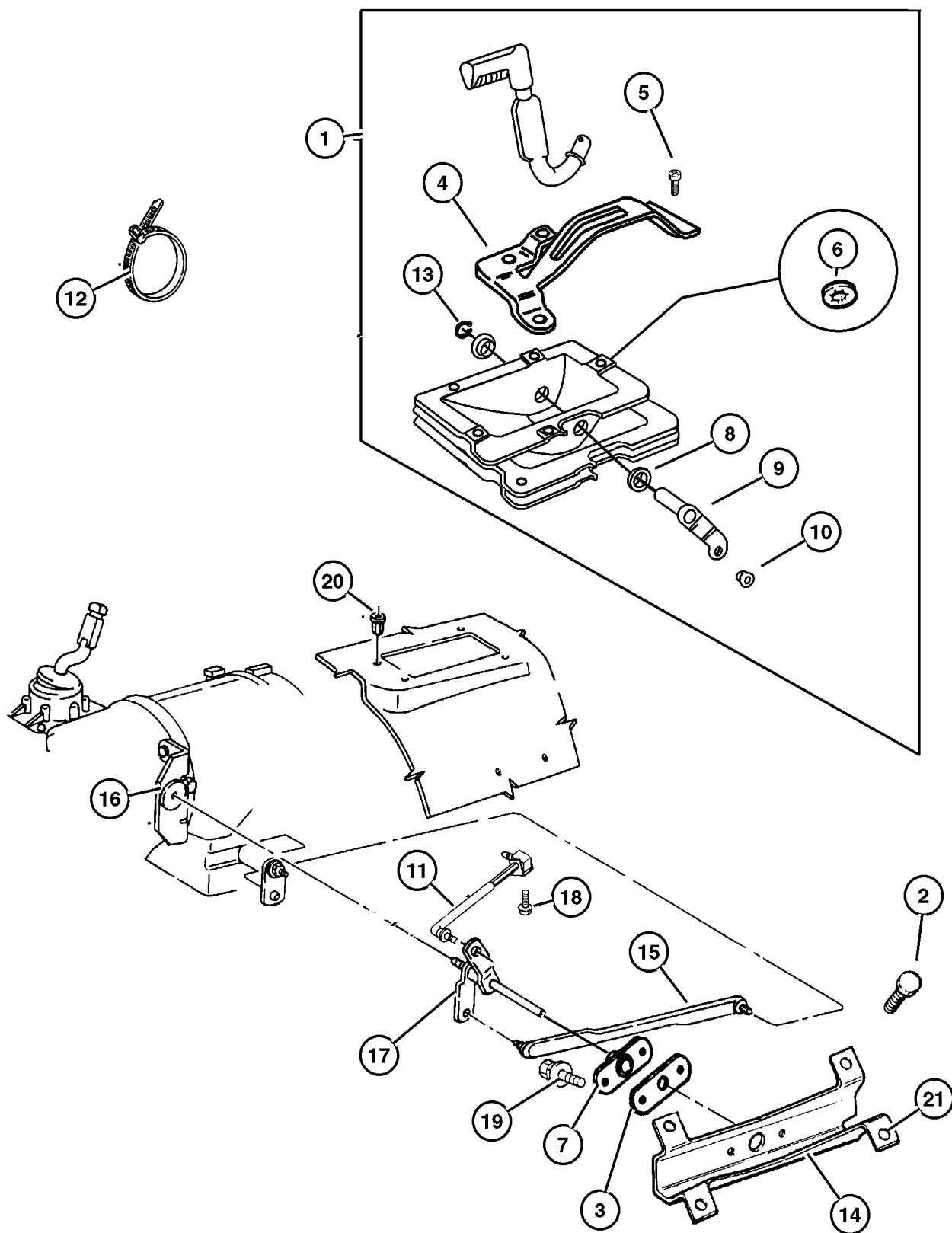
AR = Use as required - = Non illustrated part # = New this model year

June 7, 2002



**Gearshift Controls Command Trac (DHN)
Figure 231-1210**

ITEM	PART NUMBER	QTY	LINE	SERIES	ENGINE	TRANS	DESCRIPTION
			AR	U			1998 TJ, 1999 TJ
11	5210 4073	1					ROD, Gear Shift Control, Transfer Case 1997 TJ
		1					Shift, 1998 TJ, 1999 TJ
12	J369 3058	1	J				STRAP, Retaining
		1	U				RHD, 1997 TJ
		1	U				1998 TJ, 1999 TJ
13	1150 5389	1	J				SNAP RING
		1	U				
14	5210 4017	1					BRACKET, Torque Shaft 1997 TJ, 1998 TJ
	52104 017AB	1					1999 TJ
15	5207 8603	1				DG0	ROD, Gear Shift Control, Transfer Case
		1			EPO	DBB	
	5207 8904	1			ENO, ERO	DBB	1997 TJ
16	5207 8706	1			EPO	DBB	BRACKET, Torque Shaft
		1				DG0	1998 TJ, 1999 TJ
	5207 8910	1			ERO	DBB	
17	5207 8872	1					ROD, Gear Shift Control, Transfer Case
18	J941 9683	1					BOLT, Hex Flange Head, .312-18x.625
		1			EPO		1997 TJ, 1999 TJ
19	3420 1381	2					SCREW, Hex Flange Head Tapping, M6x1.00x20.00
20	6504 601	5					NUT, Rivet Round, M5x0.80x11.09
21	5210 4014	4					GROMMET



JEEP WRANGLER (TJ)

SERIES	LINE	BODY	ENGINE	TRANSMISSION
L=Low Line	J = Wrangler 4WD U = Wrangler 4WD (RHD)	77 = 93.4 WB	EPE, EP0 = 2.5L Power Tech ERH, ER0 = 4.0L Power Tech	DGG, DGD = 32RH 3 Spd. Auto. DDQ = 5 Spd. Manual DG0 = All Auto. Trans. DBB =All Manual Trans.

AR = Use as required - = Non illustrated part # = New this model year

June 7, 2002

Group – 21P

Speedometer Pinions

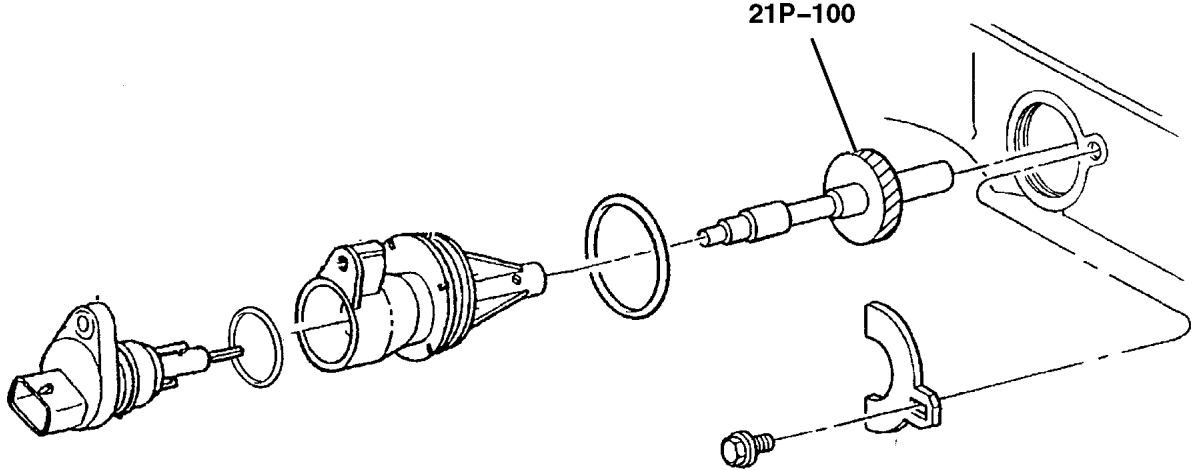
GROUP 21P - Speedometer Pinions

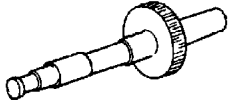
Illustration Title

Group-Fig. No.

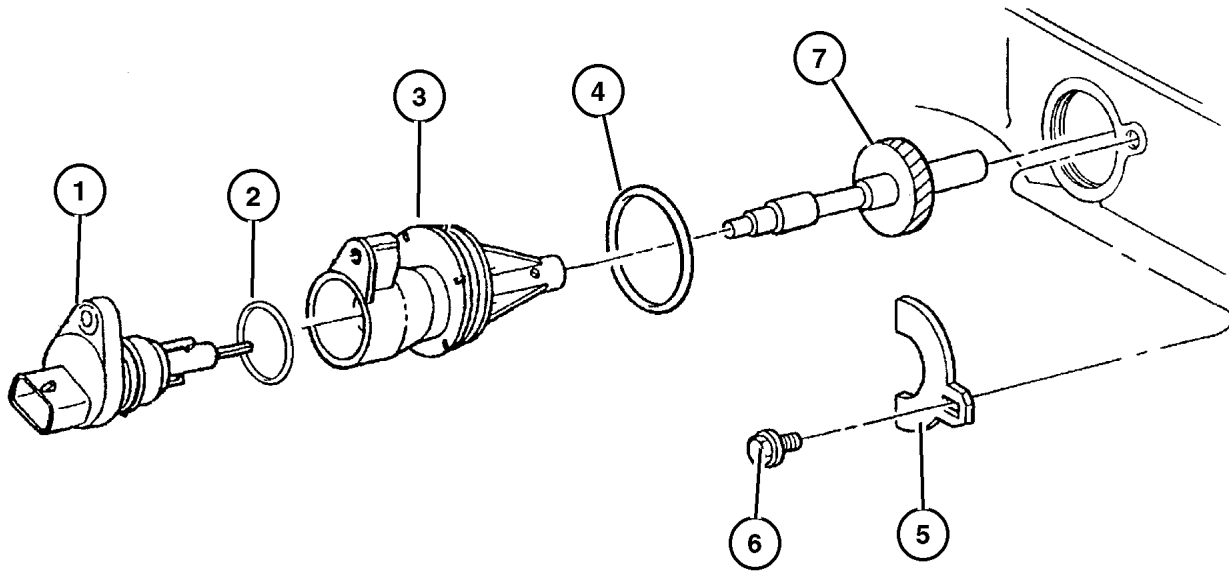
Speedometer Pinions

Speedometer Pinion And Housing 1997 TJ Fig. 21P-110
 Speedometer Pinion And Housing 1998 TJ Fig. 21P-110
 Speedometer Pinion And Housing 1999 TJ Fig. 21P-110



<p>21P-100 Speedometer Pinions</p> 			
---	--	--	--

Speedometer Pinion And Housing 1997 TJ
Figure 21P-110



ITEM	PART NUMBER	QTY	LINE	SERIES	ENGINE	TRANS	DESCRIPTION
1	5602 8183	1					SENSOR, Vehicle Speed, Speed
2	5602 8182	1					O RING, Speed Sensor
3	5206 9315	1					HOUSING, Speedometer Drive Gear
4	6035 709	1					O RING, Trans Speedo Adapter, Housing
5	2892 399	1					CLAMP, Speedometer, Speed Drive Housing
6	0180 077	1					BOLT, Hex Head, 5/16x18x3/4, Speed Drive
7							PINION, Speedometer Drive
	5206 7628	1					3.07 AXLE RATIO,28 Teeth. 30x9.5R15 Wrangler OWL
	5206 7629	1					3.07 AXLE RATIO,29Teeth. All 225/245 Tires.
	5206 7630	1					3.07 AXLE RATIO,30Teeth. All 215 Tires.
	5206 7631	1					3.07 AXLE RATIO, 31Teeth. All 205 Tires.,
	5206 7633	1					3.55 AXLE RATIO, 33 Teeth. .30x9.5 R15 WRANGLER OWL Tires.
	5206 7634	1					3.55 AXLE RATIO, 34Teeth. P225/75R15 OWL WRANGLER Tires.
		1					3.73 AXLE RATIO, 34 Teeth, 30x9.5R15 WRANGLER OWL, Goodyear Tires
	5206 7635	1					3.55 AXLE RATIO, 35 Teeth, P215/75R15 OWL All Terrain, P215/75R15 RBL Wrangler, ALL 205 Tires.
	5206 7636	1					3.73 AXLE RATIO, 36Teeth, P225/75R15 OWL WRANGLER, P215/75R15 RBL WRANGLER, P215/75R15 OWL ALL Terrain, Goodyear Tires
	5206 7637	1					3.73 AXLE RATIO, 37 Teeth, P205/75R15 WRANGLER RT, Goodyear Tires
	5206 7639	1					4.11 AXLE RATIO, 39 Teeth, All 225/245 Tires
	5206 7640	1					4.11 AXLE RATIO, 40 Teeth, ALL 215 Tires.
	5206 7641	1					4.11 AXLE RATIO, 41 Teeth, All 205 Tires.

JEEP WRANGLER (TJ)

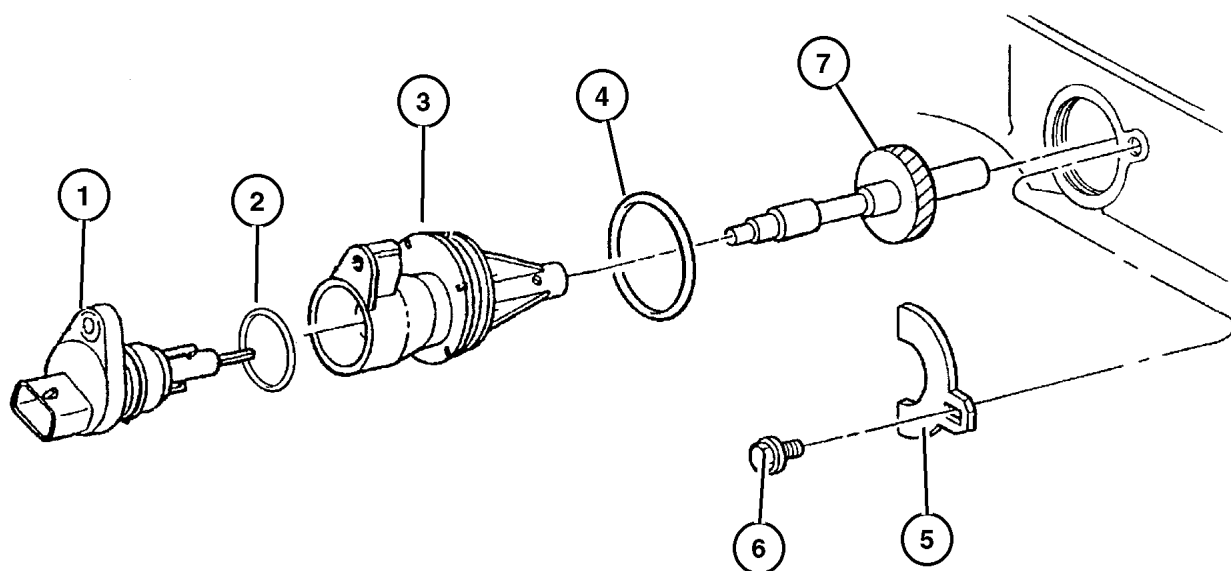
SERIES	LINE	BODY	ENGINE	TRANSMISSION
L=Low Line	J = Wrangler 4WD U = Wrangler 4WD (RHD)	77 = 93.4 WB	EPE, EP0 = 2.5L Power Tech ERH, ER0 = 4.0L Power Tech	DGG, DGD = 32RH 3 Spd. Auto. DDQ = 5 Spd. Manual DG0 = All Auto. Trans. DBB =All Manual Trans.

AR = Use as required - = Non illustrated part # = New this model year

June 7, 2002

Speedometer Pinion And Housing 1998 TJ Figure 21P-110

ITEM	PART NUMBER	QTY	LINE	SERIES	ENGINE	TRANS	DESCRIPTION
1	5602 7905	1					SENSOR, Vehicle Speed
2	5602 8182	1					O RING
3	5206 9315	1					HOUSING, Speedometer Drive Gear
4	6035 709	1					O RING, Trans Speedo Adapter, Housing
5	2892 399	1					CLAMP, Speedometer, Speed Drive Housing
6	0180 077	1					BOLT, Hex Head, 5/16x18x3/4, Speed Drive
7							PINION, Speedometer Drive
	5206 7628	1					3.07 AXLE RATIO,28 Teeth. 30x9.5R15 Wrangler OWL
	5206 7629	1					3.07 AXLE RATIO,29Teeth. All 225/245 Tires.
	5206 7630	1					3.07 AXLE RATIO,30Teeth. All 215 Tires.
	5206 7631	1					3.07 AXLE RATIO, 31Teeth. All 205 Tires.,
	5206 7634	1					3.73 AXLE RATIO, 34 Teeth, 30x9.5R15
	5206 7636	1					WRANGLER OWL, Goodyear Tires 3.73 AXLE RATIO, 36Teeth, P225/75R15 OWL WRANGLER, P215/75R15 RBL WRANGLER, P215/75R15 OWL ALL Terrain, Goodyear Tires
	5206 7637	1					3.73 AXLE RATIO, 37 Teeth, P205/75R15 WRANGLER RT, Goodyear Tires
	5206 7639	1					4.11 AXLE RATIO, 39 Teeth, All 225/245 Tires
	5206 7640	1					4.11 AXLE RATIO, 40 Teeth, ALL 215 Tires.
	5206 7641	1					4.11 AXLE RATIO, 41 Teeth, All 205 Tires.



JEEP WRANGLER (TJ)

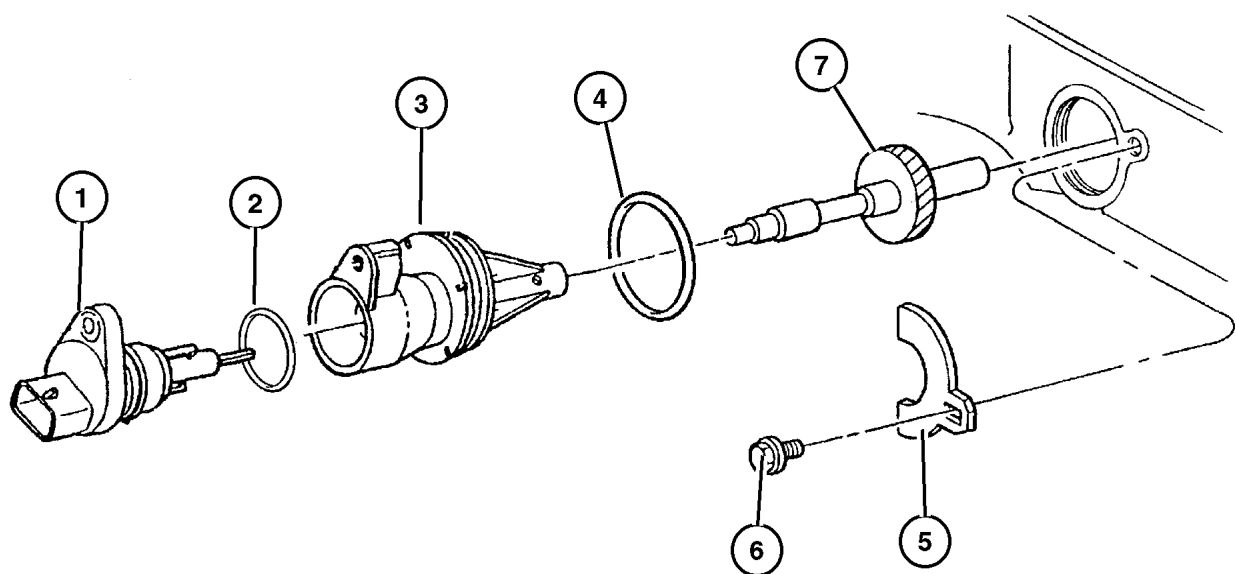
SERIES	LINE	BODY	ENGINE	TRANSMISSION
L=Low Line	J = Wrangler 4WD U = Wrangler 4WD (RHD)	77 = 93.4 WB	EPE, EP0 = 2.5L Power Tech ERH, ER0 = 4.0L Power Tech	DGG, DGD = 32RH 3 Spd. Auto. DDQ = 5 Spd. Manual DG0 = All Auto. Trans. DBB =All Manual Trans.

AR = Use as required - = Non illustrated part # = New this model year

June 7, 2002

Speedometer Pinion And Housing 1999 TJ Figure 21P-110

ITEM	PART NUMBER	QTY	LINE	SERIES	ENGINE	TRANS	DESCRIPTION
1	5602 7905	1					SENSOR, Vehicle Speed
2	5602 8182	1					O RING
3	5206 9315	1					HOUSING, Speedometer Drive Gear
4	6035 709	1					O RING, Trans Speedo Adapter
5	2892 399	1					CLAMP, Speedometer
6	0180 077	1					BOLT, Hex Head, 5/16x18x3/4
7							PINION, Speedometer Drive
	5206 7628	1					3.07 AXLE RATIO, 28 Teeth. 30x9.5R15 Wrangler OWL
	5206 7629	1					3.07 AXLE RATIO, 29Teeyh. All 225/245 Tires.
	5206 7630	1					3.07 AXLE RATIO, 30 Teeth, P225/70R16 BSW VSB All,All 215 Tires.
	5206 7631	1					3.07 AXLE RATIO, 31 Teeth, All 205 Tires.
	5206 7634	1					3.73 AXLE RATIO, 34 Teeth, 30x9.5R15 Wrangler OWL Goodyear Tires.
	5206 7636	1					3.73 AXLE RATIO, 36 Teeth, P225/70R16 BSW VSB All(.P225/75R15 OWL Wrangler.P215/75R1 Wrangler.P215/75R15 OWL All TER. Goodyear .)
	5206 7637	1					3.73 AXLE RATIO, 37 Teeth, P205/75R15 Wrangler RT, Goodyear Tires
	5206 7639	1					4.11 AXLE RATIO, 39 Teeth,All 225/245 Tires
	5206 7640	1					4.11 AXLE RATIO, 40 Teeth, All 215 Tires. P225/70R16 BSW VSB All.
	5206 7641	1					4.11 AXLE RATIO, 41 Teeth, All 205 Tires.



JEEP WRANGLER (TJ)

SERIES	LINE	BODY	ENGINE	TRANSMISSION
L=Low Line	J = Wrangler 4WD U = Wrangler 4WD (RHD)	77 = 93.4 WB	EPE, EP0 = 2.5L Power Tech ERH, ER0 = 4.0L Power Tech	DGG, DGD = 32RH 3 Spd. Auto. DDQ = 5 Spd. Manual DG0 = All Auto. Trans. DBB =All Manual Trans.

AR = Use as required - = Non illustrated part # = New this model year

June 7, 2002

Group – 022

Wheels, Covers and Jacks

GROUP 22 - Wheels, Covers and Jacks

Illustration Title

Group-Fig. No.

Wheels and Hardware

Wheels 1997 TJ 1998 TJ Fig. 022-110

Wheels 1999 TJ Fig. 022-110

Wheel Covers and Center Caps

Caps And Covers 1997 TJ 1998 TJ Fig. 022-210

Caps And Covers 1999 TJ Fig. 022-210

Jack Stowage

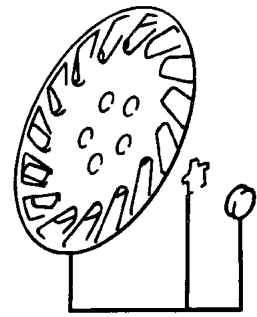
Jack And Storage Fig. 022-310

Spare Tire Stowage

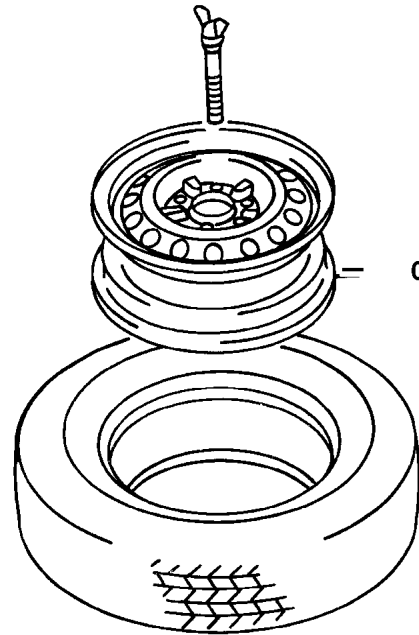
Wheel, Spare Tailgate Mounted 1997 TJ Fig. 022-410

Wheel, Spare Tailgate Mounted 1998 TJ Fig. 022-410

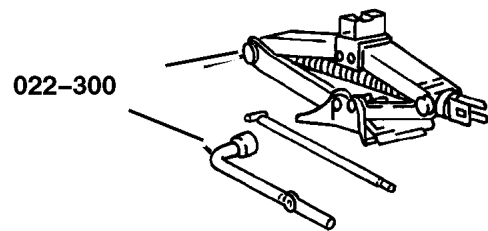
Wheel, Spare Tailgate Mounted 1999 TJ Fig. 022-410




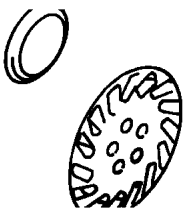
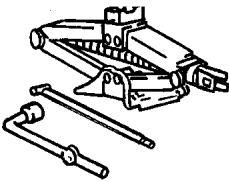
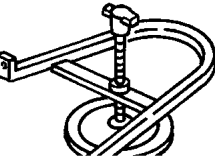
022-200



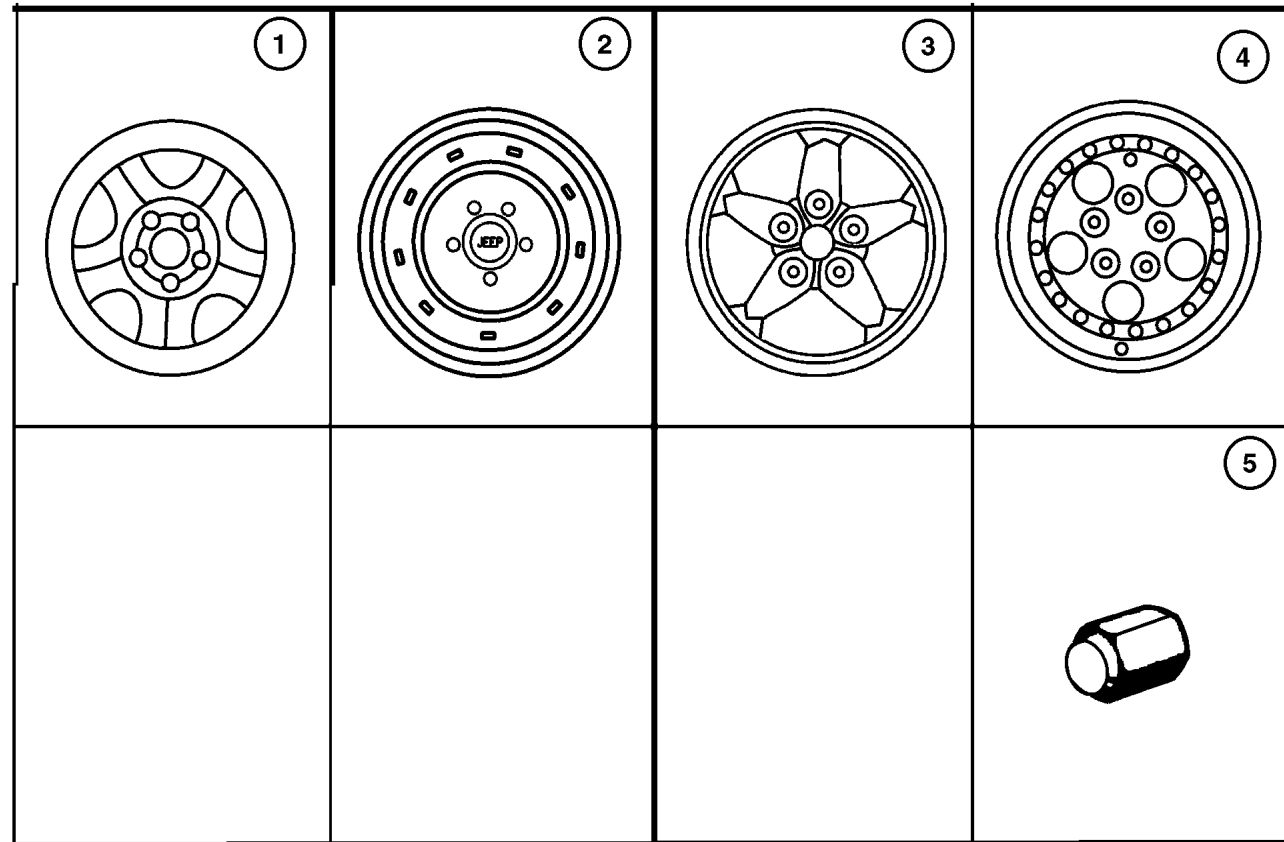
022-100



022-300

<p>022-100 Wheels and Hardware</p> 	<p>022-200 Wheel Covers and Center Caps</p> 	<p>022-300 Jack Stowage</p> 	<p>022-400 Spare Tire Stowage</p> 
---	--	---	--

Wheels 1997 TJ 1998 TJ
Figure 022-110



ITEM	PART NUMBER	QTY	LINE	SERIES	BODY	DESCRIPTION
------	-------------	-----	------	--------	------	-------------

Note: Sales Code WJK = 15x6.0 Steel Wheels J=Dana 35 Rear Axle---DRK=Dana 44 Rear Axle
 Note: Sales Code WJ5 = 15x7.0 Steel Wheels J=Dana 35 Rear Axle---DRK=Dana 44 Rear Axle
 Note: Sales Code WJ1 = 15x7.0 Aluminum Wheels J=Dana 35 Rear Axle---DRK=Dana 44 Rear Axle
 Note: Sales Code WJ9 = 15x8.0 Aluminum Wheels J=Dana 35 Rear Axle---DRK=Dana 44 Rear Axle
 J=Dana 35 Rear Axle---DRK=Dana 44 Rear Axle
 J=Dana 35 Rear Axle---DRK=Dana 44 Rear Axle

1	5208 8140	4	J		77	WHEEL, Steel 15x6 JJ Steel (WJK), 1997 TJ 15x6 JJ Steel (TBC+TBB+WJK), 1998 TJ
		1				
		4	U		77	15x6 JJ Steel (WJK), 1997 TJ
2	5FV6 3S4A	4				WHEEL, Steel 15x6 JJ Steel (WJ5), 1997 TJ 15x7 JJ Steel Full Face (WJ5), 1998 TJ
		4				
3	5DR1 9TA8	4				WHEEL, Aluminum 15x7 [WJ1], 1997 TJ 15x7 Aluminum (TBB+APA+WJ1), 1998 TJ
		4				
4	5208 8157	4	J		77	WHEEL, Aluminum 15x7 [WJ9], 1997 TJ
	5209 0000	4				15x8 Aluminum (TBB+WJH), 1998 TJ
	5208 8157	4	U		77	15x7 [WJ9], 1997 TJ 15x8 Aluminum (TBB+WJ9), 1998 TJ
		4				
5	J400 6956	22				NUT, Wheel, .50x20 1997 TJ Capped Wheel, 1998 TJ
		22				

JEEP WRANGLER (TJ)

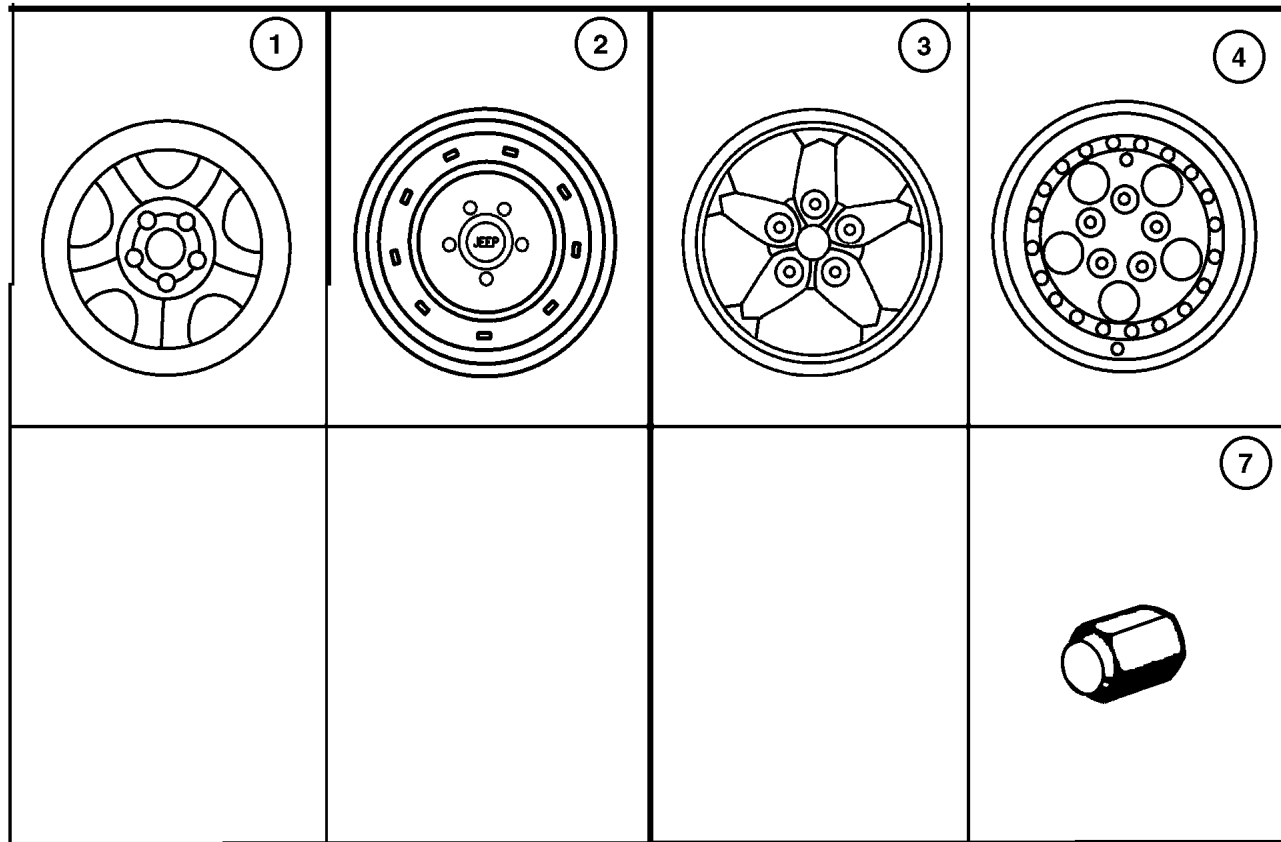
SERIES	LINE	BODY	ENGINE	TRANSMISSION
L=Low Line	J = Wrangler 4WD U = Wrangler 4WD (RHD)	77 = 93.4 WB	EPE, EP0 = 2.5L Power Tech ERH, ER0 = 4.0L Power Tech	DGG, DGD = 32RH 3 Spd. Auto. DDQ = 5 Spd. Manual DG0 = All Auto. Trans. DBB =All Manual Trans.

AR = Use as required - = Non illustrated part # = New this model year

June 7, 2002

**Wheels 1999 TJ
Figure 022-110**

ITEM	PART NUMBER	QTY	LINE	SERIES	BODY	DESCRIPTION
Note: Sales Code WJK = 15x6.0 Steel Wheels J=Dana 35 Rear Axle---DRK=Dana 44 Rear Axle						
Note: Sales Code WJ5 = 15x7.0 Steel Wheels J=Dana 35 Rear Axle---DRK=Dana 44 Rear Axle						
Note: Sales Code WJ1 = 15x7.0 Aluminum Wheels J=Dana 35 Rear Axle---DRK=Dana 44 Rear Axle						
Note: Sales Code WJ9 = 15x8.0 Aluminum Wheels J=Dana 35 Rear Axle---DRK=Dana 44 Rear Axle						
Note: Sales Code WJU = 16x8.0 Aluminum Wheels J=Dana 35 Rear Axle---DRK=Dana 44 Rear Axle						
1	5208 8140	1				WHEEL, Steel, 15x6 JJ Steel (WJK)
2						WHEEL, Steel
	5FV6 3S4A	4				15x6 JJ Steel ((WJ5)(Up To 5-1-99)
	#5FV63 S4AAB	4				15x6 JJ Steel ((WJ5)(After 5-1-99)
3	5DR1 9TAE	4				WHEEL, Aluminum, 15x7 Aluminum (WJ1)
4	5208 8157	4				WHEEL, Aluminum, 15x8 Aluminum (WJ9)
-5	#5GC81 TAEAA	4				WHEEL, Aluminum, 15x8 Aluminum (WJX)
-6	5FG5 6PAK	4				WHEEL, Aluminum, Stamped USA, 5FG56PAKAB Stamped
						Italy, 16x7 Aluminum (WJU)
7	J400 6956	22				NUT, Wheel, .50x20, Capped Wheel



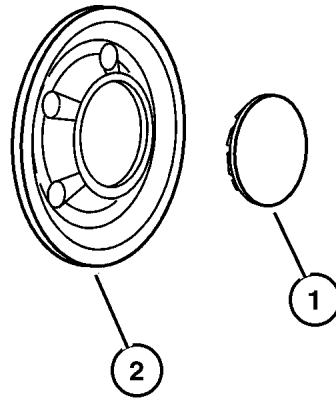
JEEP WRANGLER (TJ)
 SERIES LINE BODY ENGINE TRANSMISSION
 L=Low Line J = Wrangler 4WD 77 = 93.4 WB EPE, EP0 = 2.5L Power Tech DGG, DGD = 32RH 3 Spd. Auto.
 U = Wrangler 4WD (RHD) ERH, ER0 = 4.0L Power Tech DDQ = 5 Spd. Manual
 DG0 = All Auto. Trans.
 DBB =All Manual Trans.

AR = Use as required - = Non illustrated part # = New this model year

June 7, 2002

Caps And Covers 1997 TJ 1998 TJ
Figure 022-210

ITEM	PART NUMBER	QTY	LINE	SERIES	BODY	DESCRIPTION
Note: Sales Code WJ9 = 15x8.0 Aluminum Wheels J=Dana 35 Rear Axle---DRK=Dana 44 Rear Axle						
Note: Sales Code WJ5 = 15x7.0 Steel Wheels J=Dana 35 Rear Axle---DRK=Dana 44 Rear Axle						
Note: Sales Code WJ1 = 15x7.0 Aluminum Wheels J=Dana 35 Rear Axle---DRK=Dana 44 Rear Axle						
Note: Sales Code WJ9 = 15x8.0 Aluminum Wheels J=Dana 35 Rear Axle---DRK=Dana 44 Rear Axle						
1						CAP, Wheel Center
	5200 2971	4	J		77	WJ9, 1997 TJ
		4	U		77	WJ9, 1997 TJ
	5DY0 7TA8	4				WJ1, 1997 TJ
		4				[WJ1], 1998 TJ
2						CAP, Wheel Center
	5208 9008	4				WJK, 1997 TJ
	5CF3 4L4A	1			77	WJ5, 1997 TJ
	5208 9008	4				[WJK], 1998 TJ



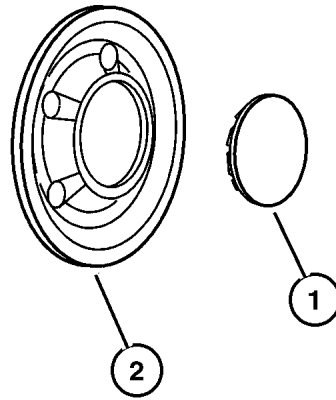
JEEP WRANGLER (TJ)				
SERIES	LINE	BODY	ENGINE	TRANSMISSION
L=Low Line	J = Wrangler 4WD U = Wrangler 4WD (RHD)	77 = 93.4 WB	EPE, EP0 = 2.5L Power Tech ERH, ER0 = 4.0L Power Tech	DGG, DGD = 32RH 3 Spd. Auto. DDQ = 5 Spd. Manual DG0 = All Auto. Trans. DBB =All Manual Trans.

AR = Use as required - = Non illustrated part # = New this model year

June 7, 2002

**Caps And Covers 1999 TJ
Figure 022-210**

ITEM	PART NUMBER	QTY	LINE	SERIES	BODY	DESCRIPTION
Note: Sales Code WJ9 = 15x8.0 Aluminum Wheels J=Dana 35 Rear Axle---DRK=Dana 44 Rear Axle						
Note: Sales Code WJ5 = 15x7.0 Steel Wheels J=Dana 35 Rear Axle---DRK=Dana 44 Rear Axle						
Note: Sales Code WJ1 = 15x7.0 Aluminum Wheels J=Dana 35 Rear Axle---DRK=Dana 44 Rear Axle						
Note: Sales Code WJ9 = 15x8.0 Aluminum Wheels J=Dana 35 Rear Axle---DRK=Dana 44 Rear Axle						
1						CAP, Wheel Center
	5DY0 7TAE	4				[WJ1]
	5CF3 4L4A	4				[WJ5]
	5200 2971	1				[WJ9]
2	5208 9008	4				CAP, Wheel Center, [WJK]
-3	5CF9 7L3X	4				CAP, Wheel Center, Brushed Aluminum "Jeep" Name, [WJX]

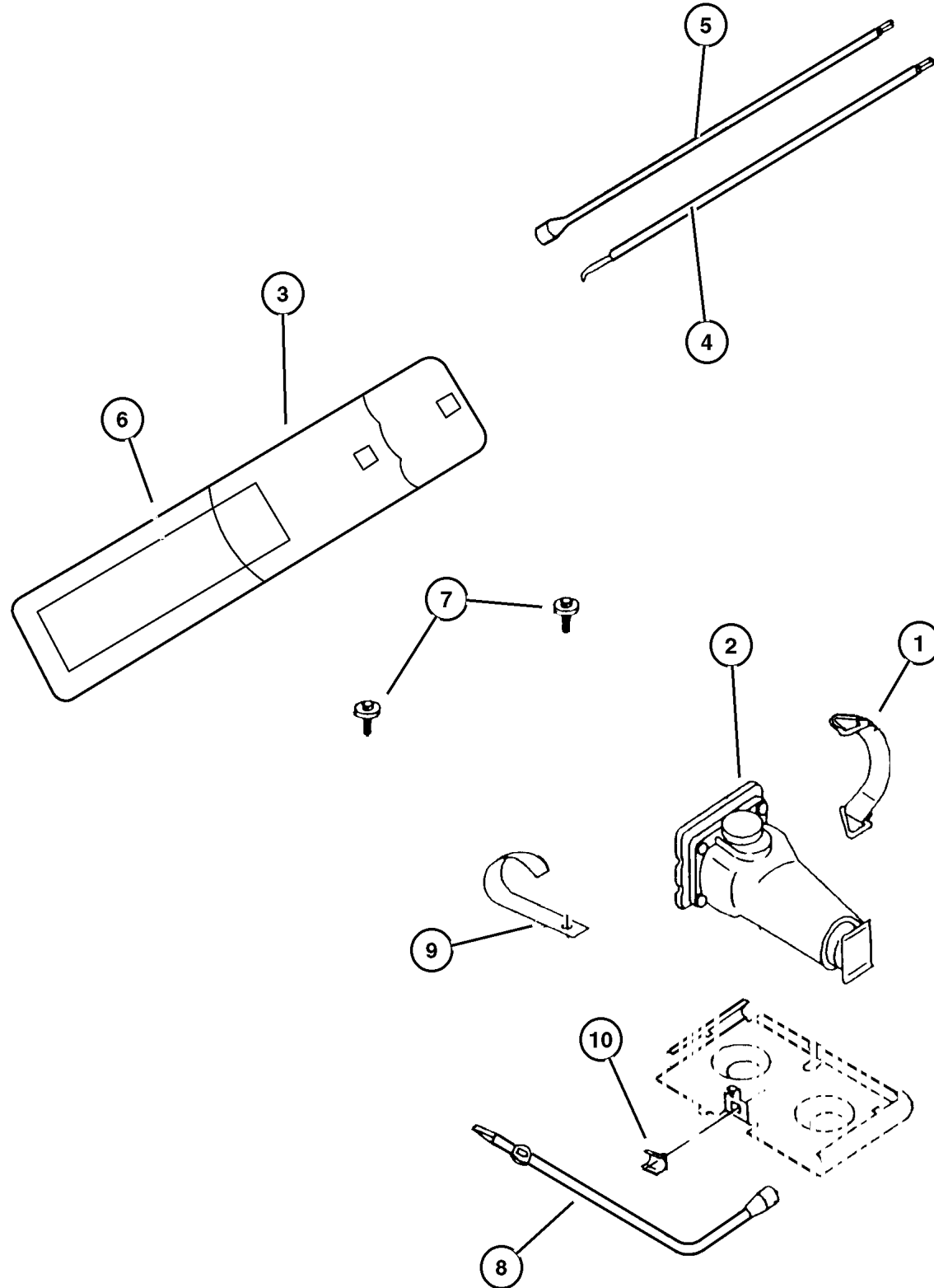


JEEP WRANGLER (TJ)				
SERIES	LINE	BODY	ENGINE	TRANSMISSION
L=Low Line	J = Wrangler 4WD U = Wrangler 4WD (RHD)	77 = 93.4 WB	EPE, EP0 = 2.5L Power Tech ERH, ER0 = 4.0L Power Tech	DGG, DGD = 32RH 3 Spd. Auto. DDQ = 5 Spd. Manual DG0 = All Auto. Trans. DBB =All Manual Trans.

AR = Use as required - = Non illustrated part # = New this model year

June 7, 2002

Jack And Storage
Figure 022-310



ITEM	PART NUMBER	QTY	LINE	SERIES	BODY	DESCRIPTION
1	5203 8254	1				STRAP, Jack Storage
2	5205 8912	1	J		77	JACK 1997 TJ
		1				1998 TJ
	52058 912AB	1				1999 TJ
3	5205 8917	1				BAG, Jack Tool Storage 1997 TJ
	52059 162AB	1				1998 TJ, 1999 TJ
4	5205 8905	1				EXTENSION, Jack Handle 1997 TJ
	52058 905AB	1				1998 TJ, 1999 TJ
5	5208 8133	1				HANDLE, Jack Jack Engagement, 1997 TJ
	52088 133AB	1				1998 TJ, 1999 TJ
6	4814 469	1				LABEL, Serviced in #3 (NOT SERVICED), 1998 TJ, 1999 TJ Mandatory (EUROPEAN, SOUTH AFRICA, UNITED KINGDOM,)Not Available in (POLAND, RUSSIA, ROMANIA, BULGARIA, SLOVENIA), 1997 TJ, Mandatory (EUROPEAN, SOUTH AFRICA, UNITED KINGDOM,)Not Available in (POLAND, RUSSIA, ROMANIA, BULGARIA, SLOVENIA)
7	6504 616	2				SCREW, M4.2x1.41
8	5205 8907	1	J		77	WRENCH, Wheel Lug Nut 1997 TJ
		1	U		77	1997 TJ
		1				1998 TJ, 1999 TJ
9	5205 9047	2				STRAP, Jack Tool Storage
10	6504 697	1				CLIP, Lug Wrench

JEEP WRANGLER (TJ)

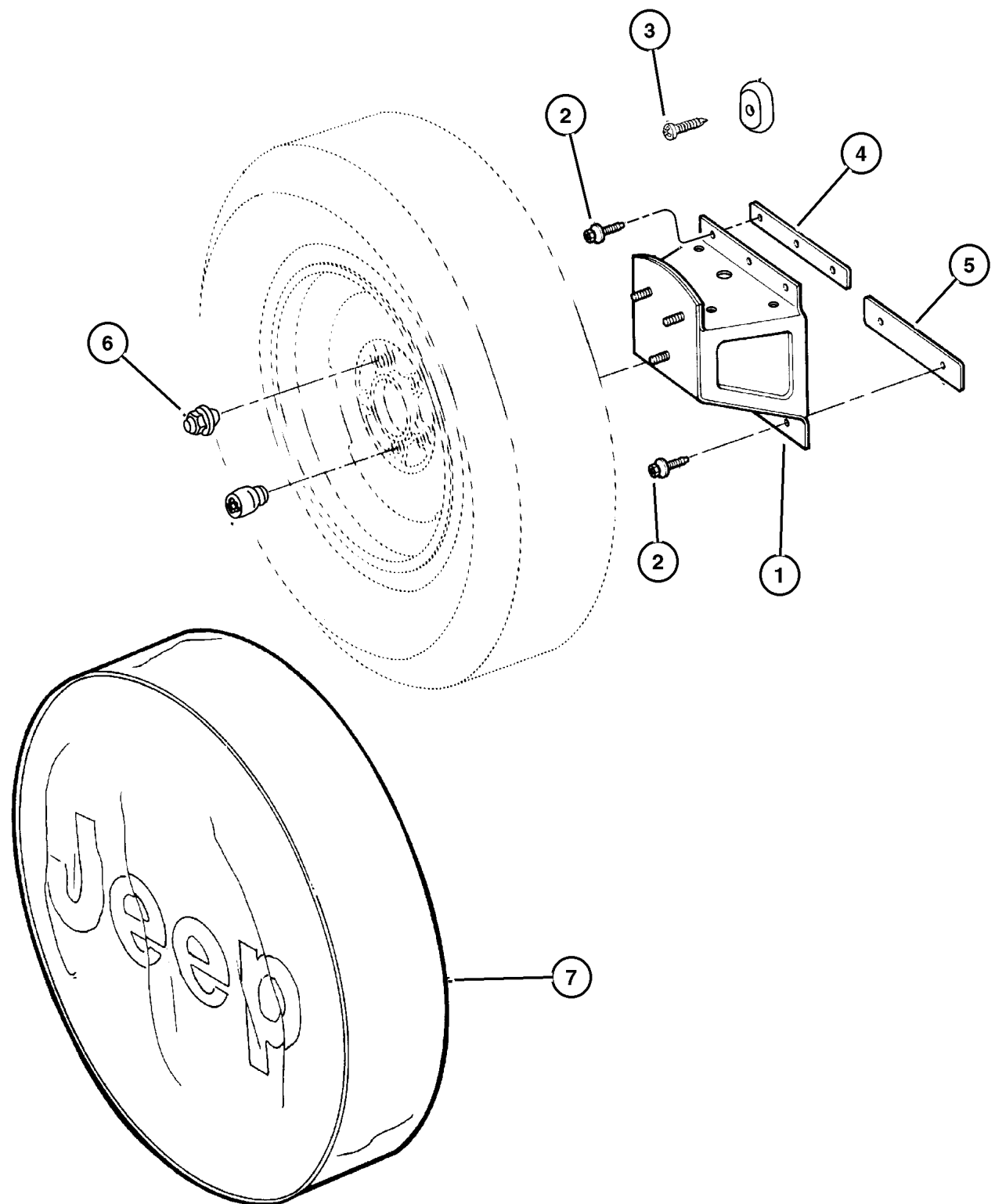
SERIES	LINE	BODY	ENGINE	TRANSMISSION
L=Low Line	J = Wrangler 4WD U = Wrangler 4WD (RHD)	77 = 93.4 WB	EPE, EP0 = 2.5L Power Tech ERH, ER0 = 4.0L Power Tech	DGG, DGD = 32RH 3 Spd. Auto. DDQ = 5 Spd. Manual DG0 = All Auto. Trans. DBB =All Manual Trans.

AR = Use as required - = Non illustrated part # = New this model year

June 7, 2002

Wheel, Spare Tailgate Mounted 1997 TJ
Figure 022-410

ITEM	PART NUMBER	QTY	LINE	SERIES	BODY	DESCRIPTION
1						BRACKET, Spare Tire
	5517 5913	1	J		77	Spare Mtg.
		1	U		77	Spare Mtg.
2	6035 053	5				SCREW AND WASHER, Hex Head, .312-18x1.125
3						SCREW, (NOT SERVICED)
4	55010 841AB	1				GASKET, Spare Tire Bracket, Upper Carrier
5	55010 928AB	1				GASKET, Spare Tire Bracket, Lower Carrier
6	J400 6956	23				NUT, Wheel, .50x20
7						COVER, Spare Tire
	5FF4 5TTB	1				Spice with 'SAHARA' Europe
	5FF4 7TX7	1				Black
	5FF5 5TX7	1				Black with Insert
	5FF5 7TTB	1				Spice with 'SAHARA'
-8	6034 949	4				SCREW

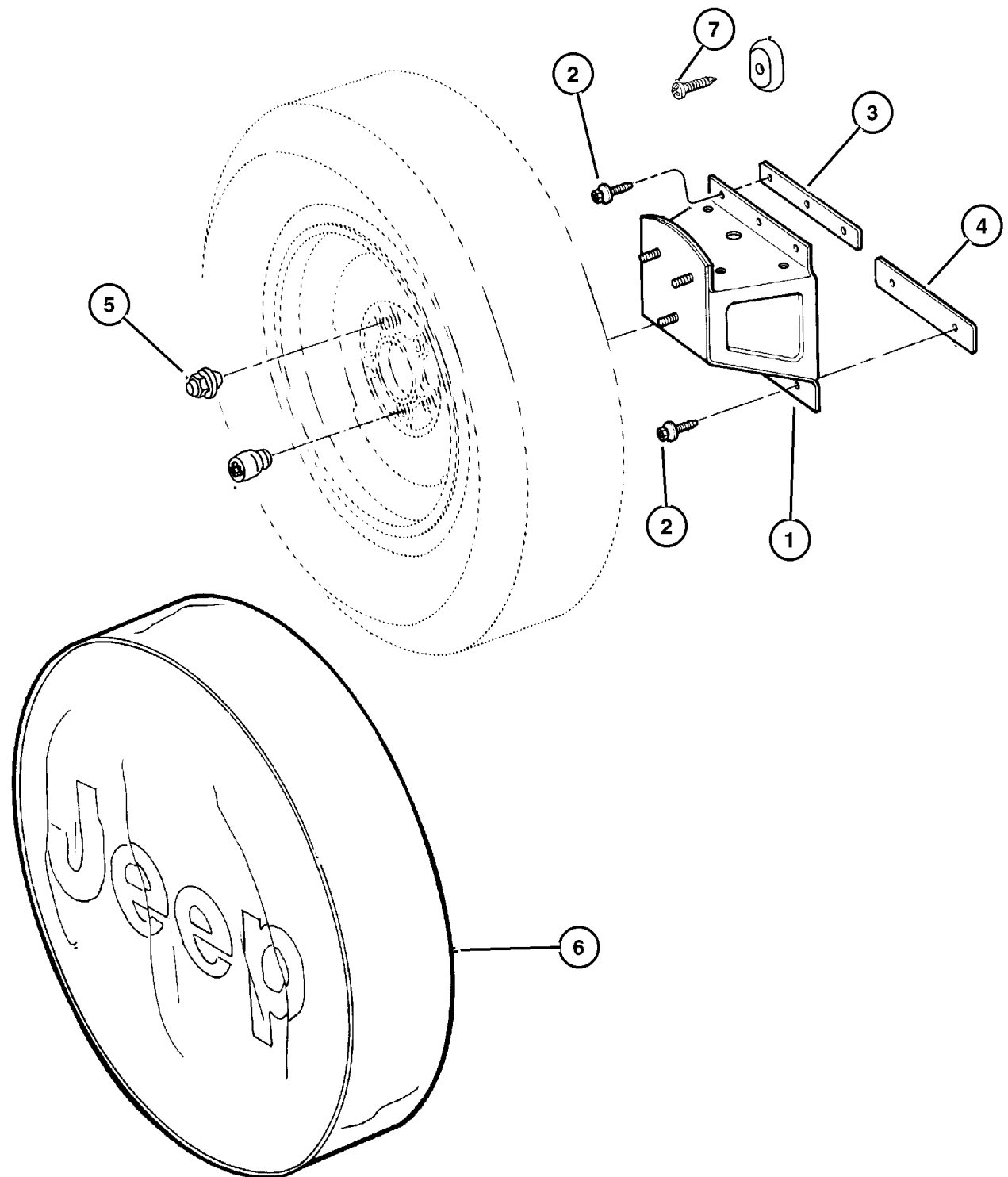


JEEP WRANGLER (TJ)

SERIES	LINE	BODY	ENGINE	TRANSMISSION
L=Low Line	J = Wrangler 4WD U = Wrangler 4WD (RHD)	77 = 93.4 WB	EPE, EP0 = 2.5L Power Tech ERH, ER0 = 4.0L Power Tech	DGG, DGD = 32RH 3 Spd. Auto. DDQ = 5 Spd. Manual DG0 = All Auto. Trans. DBB =All Manual Trans.

Wheel, Spare Tailgate Mounted 1998 TJ
Figure 022-410

ITEM	PART NUMBER	QTY	LINE	SERIES	BODY	DESCRIPTION
1	5517 5913	1				BRACKET, Spare Tire
2	6035 053	5				SCREW AND WASHER, Hex Head, .312-18x1.125
3	55010 841AB	1				GASKET, Spare Tire Bracket, Upper Carrier
4	55010 928AB	1				GASKET, Spare Tire Bracket, Lower Carrier
5	J400 6956	23				NUT, Wheel, .50x20
6						COVER, Spare Tire
	5FF4 5TTB	1				Spice, 'Sahara' Europe
	5FF4 7TX7	1				Black
	5FF5 5TX7	1				Black, 'Sahara'
		1				Black, 'Sahara' Europe
	5FF5 7TTB	1				Spice, 'Sahara'
7						SCREW, (NOT SERVICED)

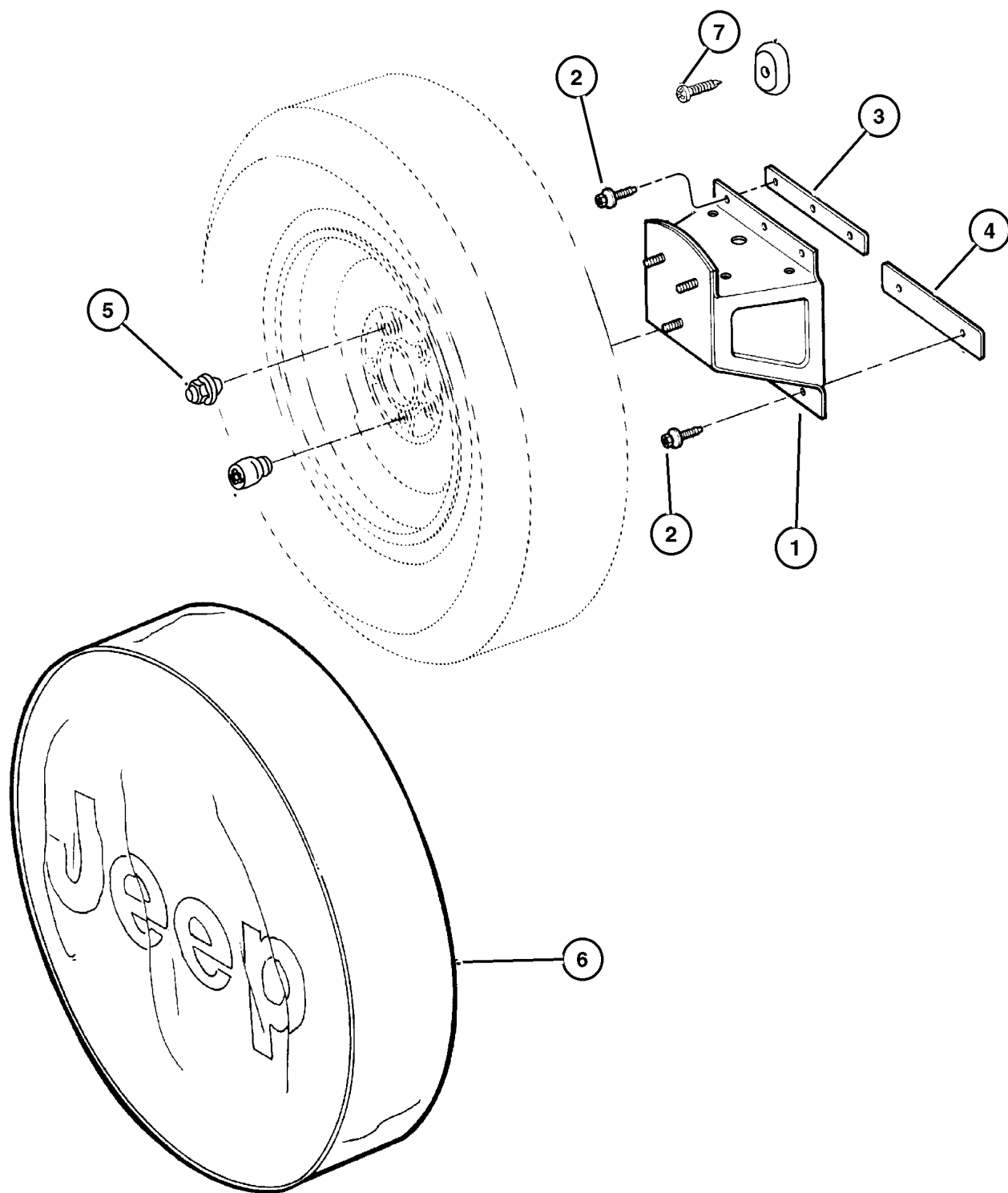


JEEP WRANGLER (TJ)

SERIES	LINE	BODY	ENGINE	TRANSMISSION
L=Low Line	J = Wrangler 4WD U = Wrangler 4WD (RHD)	77 = 93.4 WB	EPE, EP0 = 2.5L Power Tech ERH, ER0 = 4.0L Power Tech	DGG, DGD = 32RH 3 Spd. Auto. DDQ = 5 Spd. Manual DG0 = All Auto. Trans. DBB =All Manual Trans.

Wheel, Spare Tailgate Mounted 1999 TJ
Figure 022-410

ITEM	PART NUMBER	QTY	LINE	SERIES	BODY	DESCRIPTION
1	5517 5913	1				BRACKET, Spare Tire
2	6035 053	5				SCREW AND WASHER, Hex Head, .312-18x1.125
3	55010 841AB	1				GASKET, Spare Tire Bracket, Upper Carrier
4	55010 928AB	1				GASKET, Spare Tire Bracket, Lower Carrier
5	J400 6956	23				NUT, Wheel, .50x20
6						COVER, Spare Tire
	5FF4 5VK9	1				Spice, 'Sahara' Europe
	5FF4 7TX7	1				Black,
	5FF5 5TX7	1				Black, 'Sahara'
		1				Black, 'Saraha' Europe
	5FF5 7VK9	1				Spice, 'Sahara'
7						SCREW, (NOT SERVICED)



JEEP WRANGLER (TJ)

SERIES	LINE	BODY	ENGINE	TRANSMISSION
L=Low Line	J = Wrangler 4WD U = Wrangler 4WD (RHD)	77 = 93.4 WB	EPE, EP0 = 2.5L Power Tech ERH, ER0 = 4.0L Power Tech	DGG, DGD = 32RH 3 Spd. Auto. DDQ = 5 Spd. Manual DG0 = All Auto. Trans. DBB =All Manual Trans.

AR = Use as required - = Non illustrated part # = New this model year

June 7, 2002

Group – 23D

Wiper/Lock Cylinder and Keys

GROUP 23D - Wiper/Lock Cylinder and Keys

Illustration Title

Group-Fig. No.

Lock Cylinders and Keys

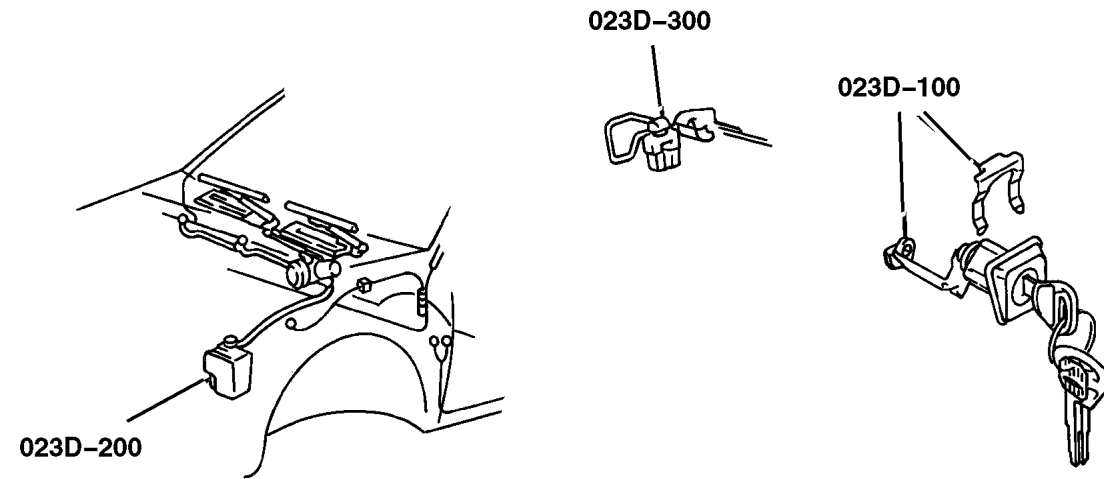
Lock Cylinders And Keys 1997 TJ	Fig. 23D-105
Lock Cylinders & Keys 1998 TJ	Fig. 23D-105
Lock Cylinders & Keys 1999 TJ	Fig. 23D-105

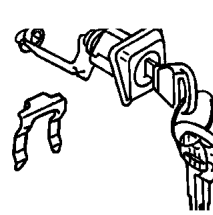
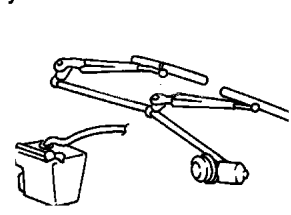
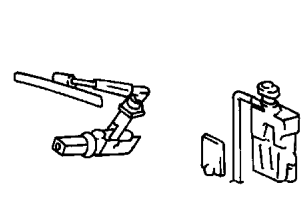
Windshield Wiper and Washer Systems

Wiper System 1997 TJ	Fig. 23D-205
Wiper System 1998 TJ	Fig. 23D-205
Wiper System 1999 TJ	Fig. 23D-205

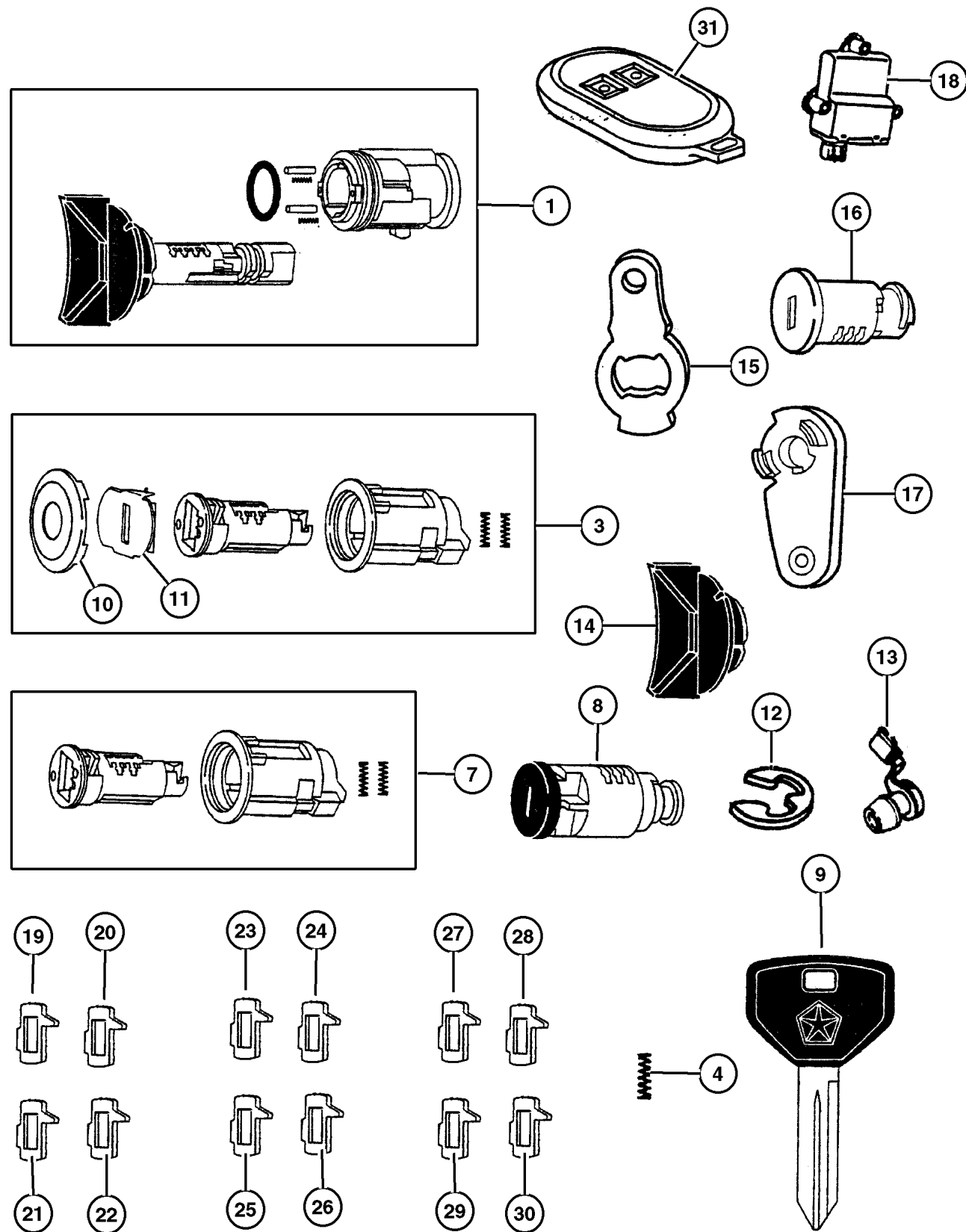
Rear Wiper and Washer System

Rear Wiper System 1997 TJ	Fig. 23D-305
Rear Wiper System 1998 TJ	Fig. 23D-305
Rear Wiper System 1999 TJ	Fig. 23D-305



<p>23D-100 Lock Cylinders and Keys</p> 	<p>23D-200 Windshield Wiper and Washer Systems</p> 	<p>23D-300 Rear Wiper and Washer System</p> 	
---	---	---	--

Lock Cylinders And Keys 1997 TJ Figure 23D-105



ITEM	PART NUMBER	QTY	LINE	BODY	DESCRIPTION
NOTE: ALL CYLINDERS ARE UNCODED J=Dana 35 Rear Axle---DRK=Dana 44 Rear Axle					
1	4746 667	1			CYLINDER LOCK PACKAGE, Ignition, Black Plastic
-2	4746 667	1			CYLINDER LOCK PACKAGE, Ignition, Black Plastic, Before 7/17/96 launch
3	4778 123	1			CYLINDER, Door Lock, Door Lock
4	4378 793	1			SPRING, Cylinder Return, Door Lock Return
-5	5507 4799	1			GASKET, Door Lock Cylinder, Black, Door Lock Cylinder (Black)
-6					RETAINER, Door Lock Cylinder
	2583 377	1			Half Door
	5517 6401	2	J	77	Full Door
7	4746 904	1			LOCK CYLINDER, Decklid, Black
8	4746 315	1			CYLINDER, Glove Box Lock
9	4746 316	2			KEY, Blank
10	5257 148	1			CAP, Door Lock Cylinder, Black
11	4778 150	1			SHUTTER, Door, Deck and Liftgate, Bright, Snap (Bright)
12	6026 125	1			CLIP, Retainer, Lever
13	4658 444	1			CLIP, Latch, Door & Tailgate
14	4740 760	1			KNOB, Ignition Cylinder, Black Plastic, 1998 Serviced w/ Cylinder
15	5507 5824	1			LEVER, Door Lock Cylinder, & Tailgate, Door Lock (Half Door) & Tailgate
16	4746 305	1			CYLINDER, Console Lock, Console Lock
17	5507 6307	1			LEVER, Door Lock, Door (Full Door)
18	5600 9109	1	J	77	MODULE, Security Alarm, Anti-Theft (Export)
19	4778 117	1			TUMBLER, Door and Deck Number 1, Wide
20	4778 118	1			TUMBLER, Door and Deck Number 2, Wide
21	4778 119	1			TUMBLER, Door and Deck Number 3, Wide
22	4778 120	1			TUMBLER, Door and Deck Number 4, Wide
23	5010 879AA	1			TUMBLER, Ignition Number 1, Sidebar
24	5010 880AA	1			TUMBLER, Ignition Number 2, Sidebar
25	5010 881AA	1			TUMBLER, Ignition Number 3, Sidebar
26	5010 882AA	1			TUMBLER, Ignition Number 4, Sidebar
27	5257 132	1			TUMBLER, Ignition Number 1, use with console and glove box cylinders
28	5257 133	1			TUMBLER, Ignition Number 2, use with console and glove box cylinders
29	5257 134	1			TUMBLER, Ignition Number 3, use with console and glove box cylinders
30	5257 135	1			TUMBLER, Ignition Number 4, use with console and glove box cylinders
31					TRANSMITTER, Anti Theft

JEEP WRANGLER (TJ)

SERIES	LINE	BODY	ENGINE	TRANSMISSION
L=Low Line	J = Wrangler 4WD U = Wrangler 4WD (RHD)	77 = 93.4 WB	EPE, EP0 = 2.5L Power Tech ERH, ER0 = 4.0L Power Tech	DGG, DGD = 32RH 3 Spd. Auto. DDQ = 5 Spd. Manual DG0 = All Auto. Trans. DBB =All Manual Trans.

AR = Use as required - = Non illustrated part # = New this model year

June 7, 2002

Lock Cylinders & Keys 1998 TJ
Figure 23D-105

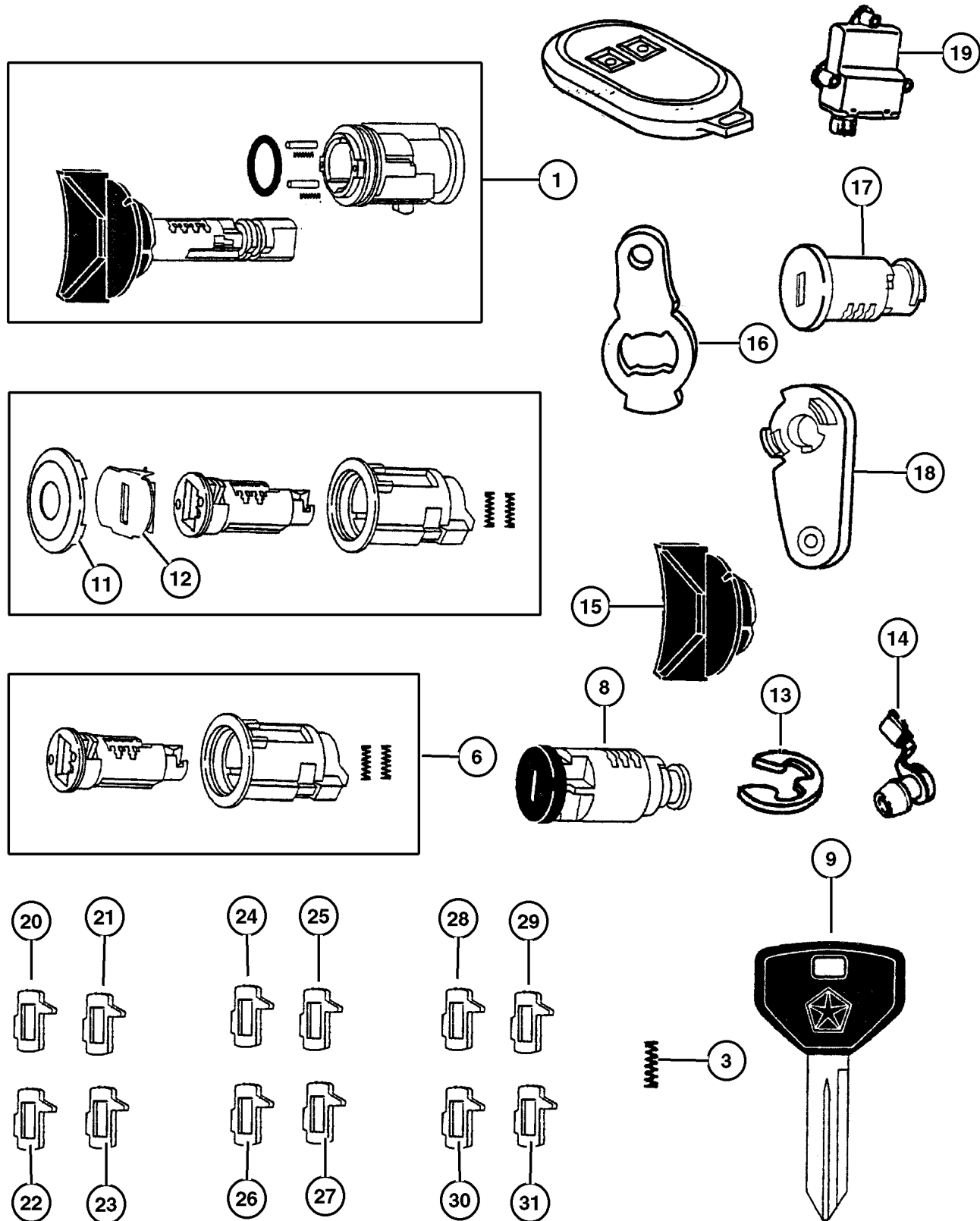
ITEM	PART NUMBER	QTY	LINE	BODY	DESCRIPTION
NOTE: ALL CYLINDERS ARE UNCODED J=Dana 35 Rear Axle---DRK=Dana 44 Rear Axle					
1	5003 843AA	1			CYLINDER, Ignition Lock
-2	4778 123	1			CYLINDER, Door Lock
3	4378 793	1			SPRING, Cylinder Return
-4	5507 4799	1			GASKET, Door Lock Cylinder, Black, Door Lock Cylinder (Black)
-5					RETAINER, Door Lock Cylinder
	2583 377	1			Half Door
	5517 6401	2			Full Door
6	4746 904	1			LOCK CYLINDER, Decklid, Black, w/Five Tumblers
-7	4778 148	1			CYLINDER, Deck Lid Lock, w/Seven Tumblers
8	4746 315	AR			CYLINDER, Glove Box Lock
9	4746 316	2			KEY, Blank
-10	5010 366AA	1			KEY, Master
11	5257 148	1			CAP, Door Lock Cylinder, Black
12	4778 150	1			SHUTTER, Door, Deck and Liftgate, Bright
13	6026 125	1			CLIP, Retainer
14					CLIP, Latch
	4658 444	1			(Purple)
	4658 445	1			(Orange)
15					KNOB, Ignition Cylinder, Black Plastic, 1998 Serviced w/ Cylinder, (NOT REQUIRED)
16	5507 5824	1			LEVER, Door Lock Cylinder, Tailgate
17	4746 305	1			CYLINDER, Console Lock
18	5507 6307	1			LEVER, Door Lock
19	56009 712AC	1			MODULE, Security Alarm
20	4778 117	1			TUMBLER, Door and Deck Number 1, Wide, Door/Tailgate
21	4778 118	1			TUMBLER, Door and Deck Number 2, Wide, Door/Tailgate
22	4778 119	1			TUMBLER, Door and Deck Number 3, Wide, Door/Tailgate
23	4778 120	1			TUMBLER, Door and Deck Number 4, Wide, Door/Tailgate
24	5010 879AA	1			TUMBLER, Ignition Number 1, Sidebar
25	5010 880AA	1			TUMBLER, Ignition Number 2, Sidebar
26	5010 881AA	1			TUMBLER, Ignition Number 3, Sidebar
27	5010 882AA	1			TUMBLER, Ignition Number 4, Sidebar
28	5257 132	AR			TUMBLER, Ignition Number 1, Console
29	5257 133	AR			TUMBLER, Ignition Number 2, Console
30	5257 134	AR			TUMBLER, Ignition Number 3, Console
31	5257 135	AR			TUMBLER, Ignition Number 4, Console

JEEP WRANGLER (TJ)

SERIES	LINE	BODY	ENGINE	TRANSMISSION
L=Low Line	J = Wrangler 4WD U = Wrangler 4WD (RHD)	77 = 93.4 WB	EPE, EP0 = 2.5L Power Tech ERH, ER0 = 4.0L Power Tech	DGG, DGD = 32RH 3 Spd. Auto. DDQ = 5 Spd. Manual DGO = All Auto. Trans. DBB =All Manual Trans.

AR = Use as required - = Non illustrated part # = New this model year

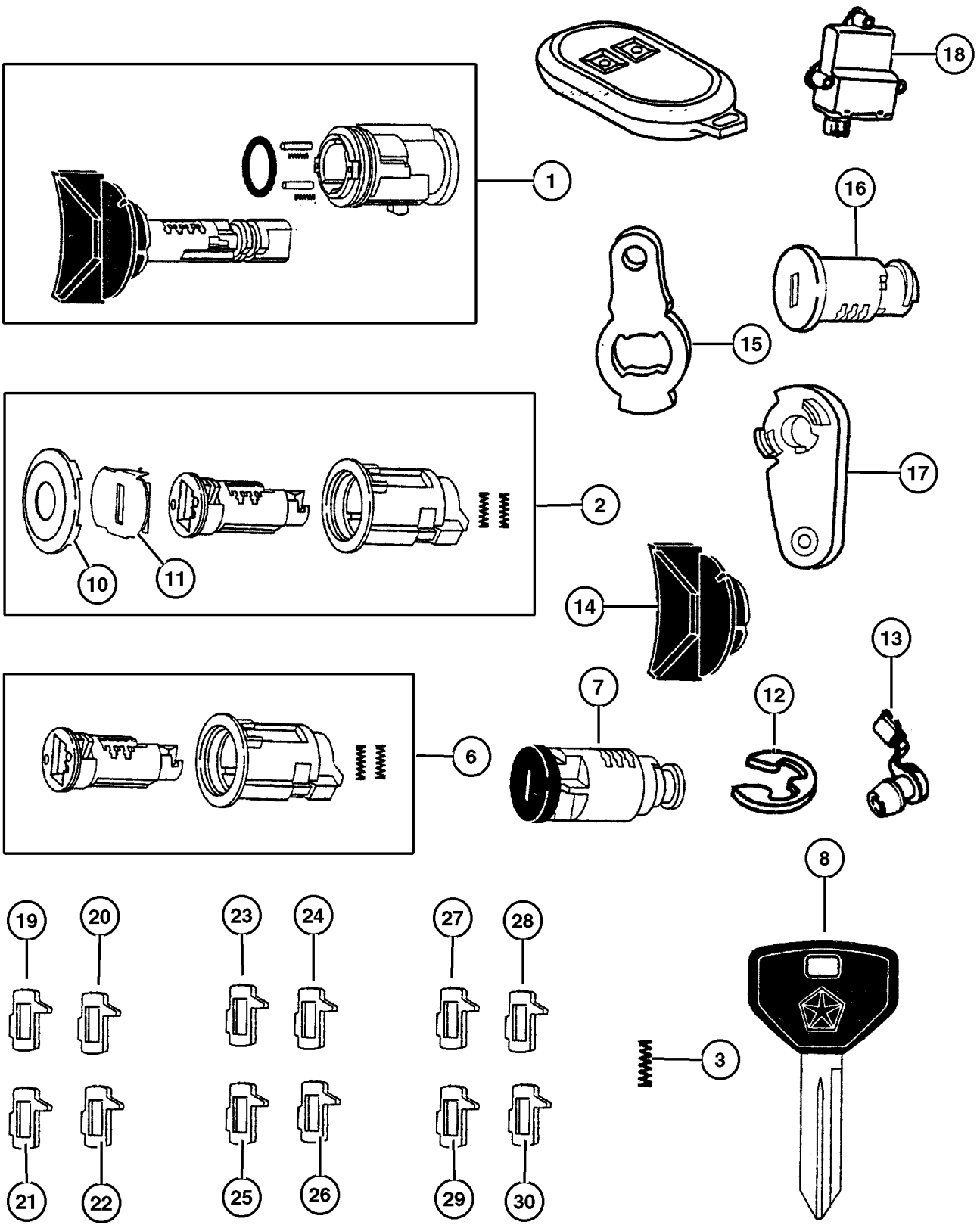
June 7, 2002



Lock Cylinders & Keys 1999 TJ
Figure 23D-105

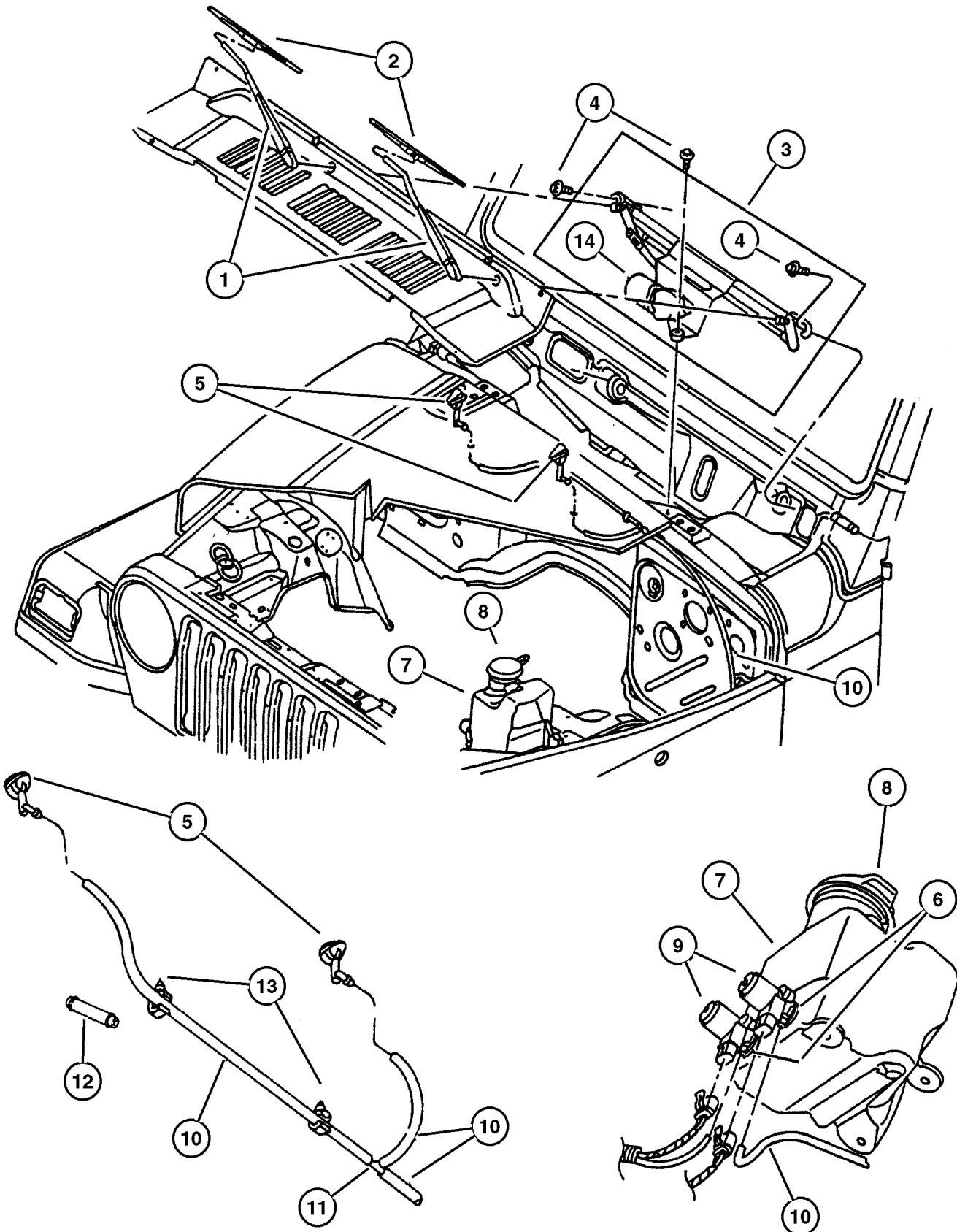
ITEM	PART NUMBER	QTY	LINE	BODY	DESCRIPTION
NOTE: ALL CYLINDERS ARE UNCODED J=Dana 35 Rear Axle---DRK=Dana 44 Rear Axle					
1	5003 843AA	1			CYLINDER, Ignition Lock
2	4778 123	1			CYLINDER, Door Lock
3	4378 793	1			SPRING, Cylinder Return
-4	5507 4799	1			GASKET, Door Lock Cylinder, Black, Door Lock Cylinder (Black)
-5					RETAINER, Door Lock Cylinder
	2583 377	1			Half Door
	5517 6401	2			Full Door
6	4746 904	1			LOCK CYLINDER, Decklid, Black
7	4746 315	AR			CYLINDER, Glove Box Lock
8	4746 316	2			KEY, Blank
-9					KEY, Master
	#5013 807AA	2			Century 'Jeep' Logo
	5010 366AA	2			Penta Star Logo
10	5257 148	1			CAP, Door Lock Cylinder, Black
11	4778 150	1			SHUTTER, Door, Deck and Liftgate, Bright
12	6026 125	1			CLIP, Retainer
13					CLIP, Latch
	4658 444	1			Purple
	4658 445	1			Orange
14					KNOB, Ignition Cylinder, Black Plastic, 1998 Serviced w/ Cylinder, (NOT REQUIRED)
15	5507 5824	1			LEVER, Door Lock Cylinder, Tailgate
16	4746 305	1			CYLINDER, Console Lock
17	5507 6307	1			LEVER, Door Lock
18	56009 712AC	1			MODULE, Security Alarm
19	4778 117	1			TUMBLER, Door and Deck Number 1, Wide
20	4778 118	1			TUMBLER, Door and Deck Number 2, Wide
21	4778 119	1			TUMBLER, Door and Deck Number 3, Wide
22	4778 120	1			TUMBLER, Door and Deck Number 4, Wide
23	5010 879AA	1			TUMBLER, Ignition Number 1, Sidebar
24	5010 880AA	1			TUMBLER, Ignition Number 2, Sidebar
25	5010 881AA	1			TUMBLER, Ignition Number 3, Sidebar
26	5010 882AA	1			TUMBLER, Ignition Number 4, Sidebar
27	5257 132	1			TUMBLER, Ignition Number 1, use with console and glove box cylinders
28	5257 133	AR			TUMBLER, Ignition Number 2, use with console and glove box cylinders
29	5257 134	AR			TUMBLER, Ignition Number 3, use with console and glove box cylinders
30	5257 135	1			TUMBLER, Ignition Number 4, use with console and glove box cylinders
-31	4778 148	1			CYLINDER, Deck Lid Lock

JEEP WRANGLER (TJ)				
SERIES	LINE	BODY	ENGINE	TRANSMISSION
L=Low Line	J = Wrangler 4WD U = Wrangler 4WD (RHD)	77 = 93.4 WB	EPE, EP0 = 2.5L Power Tech ERH, ER0 = 4.0L Power Tech	DGG, DGD = 32RH 3 Spd. Auto. DDQ = 5 Spd. Manual DGO = All Auto. Trans. DBB =All Manual Trans.



**Wiper System 1997 TJ
Figure 23D-205**

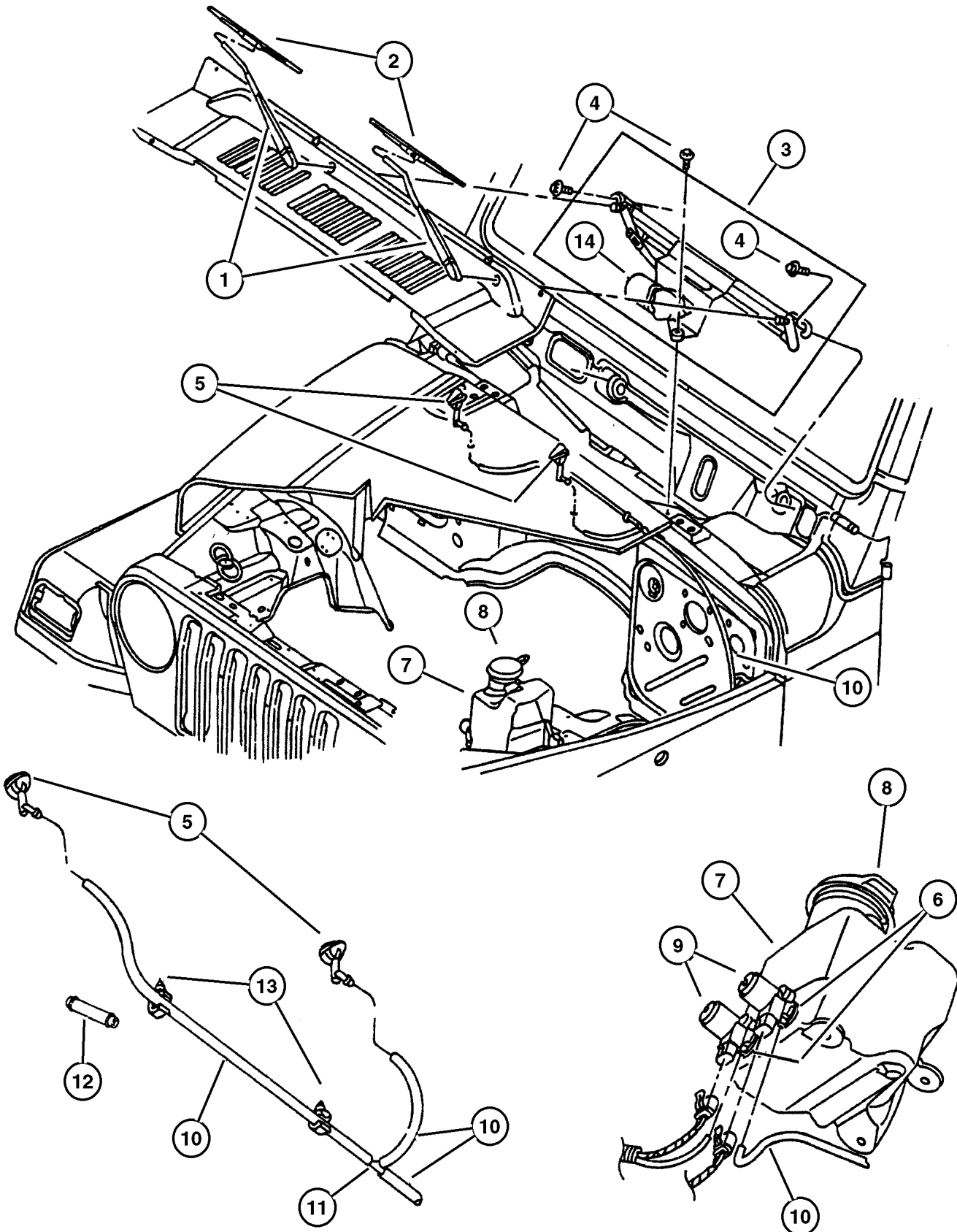
ITEM	PART NUMBER	QTY	LINE	BODY	DESCRIPTION
1					ARM, Wiper
	5515 5658	2	J		
	5515 5659	2	U		
2	5515 4762	2			BLADE, Wiper, Wiper
3					MODULE, Wiper
	5515 4766	1	J		
	5515 4768	1	U		
4	6100 568	3			BOLT AND WASHER, Implement Attaching
5	5515 4938	2			NOZZLE, Washer, Windshield
6					GROMMET, Windshield Washer Pump
	4798 779	1	J	77	Pump Mounting
		1	U	77	Pump Mounting
7					RESERVOIR, Washer
	4874 394	1	J	77	
		1	U	77	
8					CAP, Washer Reservoir Filler
	4874 395	1	J	77	
		1	U	77	
9					PUMP, Washer, Windshield
	4797 695	1	J	77	
		1	U	77	
10	4439 003	1			HOSE, Washer And Vacuum, 50 Foot Roll 5/32"
11	J321 0891	1			TEE, Washer Hose, Connector
12	4805 010	2			CHECK VALVE, Washer
13	5288 255	2			CLIP, Hood Washer Hose, Fastener
14					MOTOR, Wiper
	4864 892	1	J		Windshield Wiper
		1	U		Windshield Wiper



JEEP WRANGLER (TJ)
 SERIES LINE BODY ENGINE TRANSMISSION
 L=Low Line J = Wrangler 4WD 77 = 93.4 WB EPE, EP0 = 2.5L Power Tech DGG, DGD = 32RH 3 Spd. Auto.
 U = Wrangler 4WD (RHD) ERH, ER0 = 4.0L Power Tech DDQ = 5 Spd. Manual
 DG0 = All Auto. Trans.
 DBB =All Manual Trans.

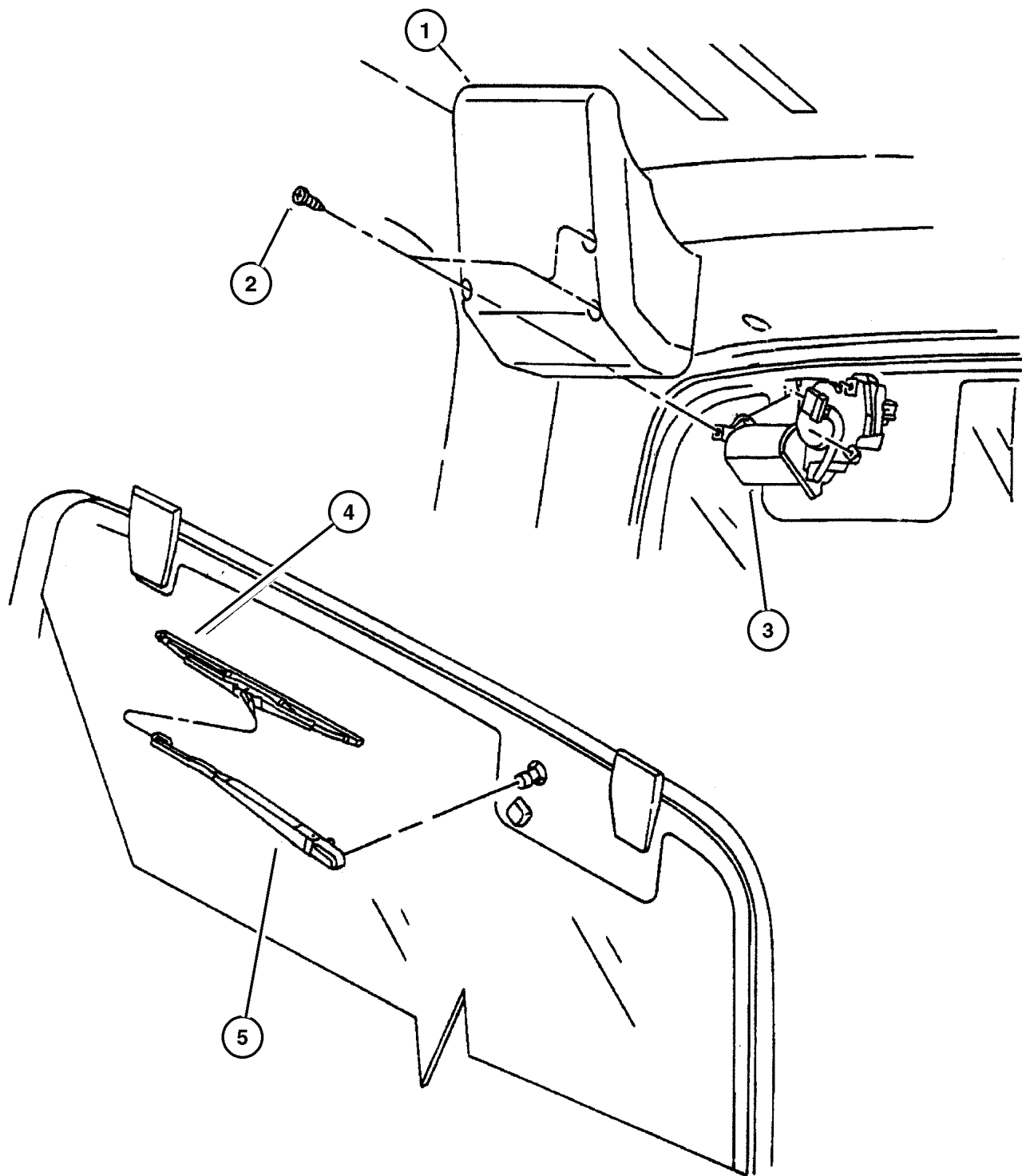
Wiper System 1999 TJ
Figure 23D-205

ITEM	PART NUMBER	QTY	LINE	BODY	DESCRIPTION
1					ARM, Wiper
	5515 5658	2	J		
	5515 5659	2	U		
2	5515 4762	2			BLADE, Wiper, Wiper
3					MODULE, Wiper
	5515 4766	1	J		
	5515 4768	1	U		
4	6100 568	3			BOLT AND WASHER, Implement Attaching
5	5515 4938	2			NOZZLE, Washer, Windshield
6	4798 779	1			GROMMET, Windshield Washer Pump
7					RESERVOIR, Washer
	4874 393	1			w/Dual Pump
	4874 394	1			w/Single Pump
8	4874 395	1			CAP, Washer Reservoir Filler, w/Gasket
9	4797 695	1			PUMP, Washer, Windshield
10	HWV0 0532	1			HOSE, Washer And Vacuum, 50 Foot Roll 5/32"
11	J321 0891	1			TEE, Washer Hose
12	4805 010	2			CHECK VALVE, Washer
13	5288 255	2			CLIP, Hood Washer Hose
14					MOTOR, Wiper
	4864 892	1	J		Windshield Wiper
		1	U		Windshield Wiper



JEEP WRANGLER (TJ)
 SERIES LINE BODY ENGINE TRANSMISSION
 L=Low Line J = Wrangler 4WD 77 = 93.4 WB EPE, EP0 = 2.5L Power Tech DGG, DGD = 32RH 3 Spd. Auto.
 U = Wrangler 4WD (RHD) ERH, ER0 = 4.0L Power Tech DDQ = 5 Spd. Manual
 DG0 = All Auto. Trans.
 DBB =All Manual Trans.

Rear Wiper System 1997 TJ
Figure 23D-305



ITEM	PART NUMBER	QTY	LINE	BODY	DESCRIPTION
1					COVER, Wiper Motor
	5515 5030	1	J	77	Rear Wiper Motor
		1	U	77	Rear Wiper Motor
2					SCREW, 164-18X.750 (Not Serviced) , (NOT SERVICED)
3	5515 5322	1			MOTOR, Wiper, Rear Wiper (Single Speed)
4					BLADE, Wiper
	5515 5445	1	J	77	Rear Wiper
		1	U	77	Rear Wiper
5	5515 5660	1			ARM, Wiper, Rear
-6	5517 6464	1		77	GROMMET, Wiper Motor And Bracket, Wiper Motor Hole (Hardtop)
-7	4883 520AA	1			NOZZLE, Liftgate Washer, Rear wiper
-8	5515 5457	1			CHECK VALVE, Washer, Check (Hard Top & Liftgate Tee/Connector)
-9	5600 3982	1			PLUG, Sealing, Tether (Hard Top)
-10	5515 4545	1			WASHER, Between Gass & Motor
-11	5515 4556	1			SPACER, Wiper Motor, Triangle Shaped
-12	5600 3682	1			NUT, Hex Flange, M16

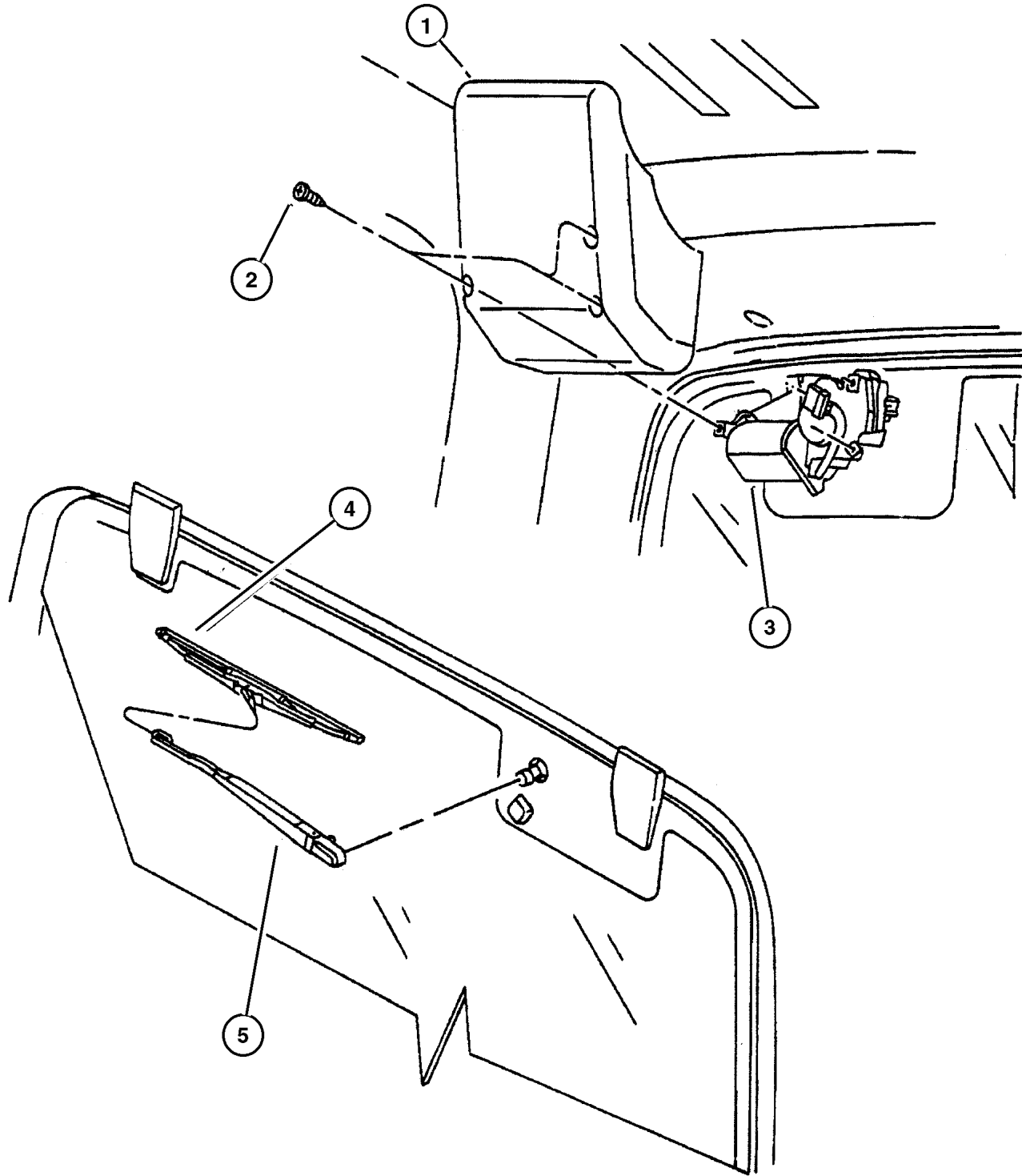
JEEP WRANGLER (TJ)

SERIES	LINE	BODY	ENGINE	TRANSMISSION
L=Low Line	J = Wrangler 4WD U = Wrangler 4WD (RHD)	77 = 93.4 WB	EPE, EP0 = 2.5L Power Tech ERH, ER0 = 4.0L Power Tech	DGG, DGD = 32RH 3 Spd. Auto. DDQ = 5 Spd. Manual DG0 = All Auto. Trans. DBB =All Manual Trans.

AR = Use as required - = Non illustrated part # = New this model year

June 7, 2002

Rear Wiper System 1998 TJ
Figure 23D-305



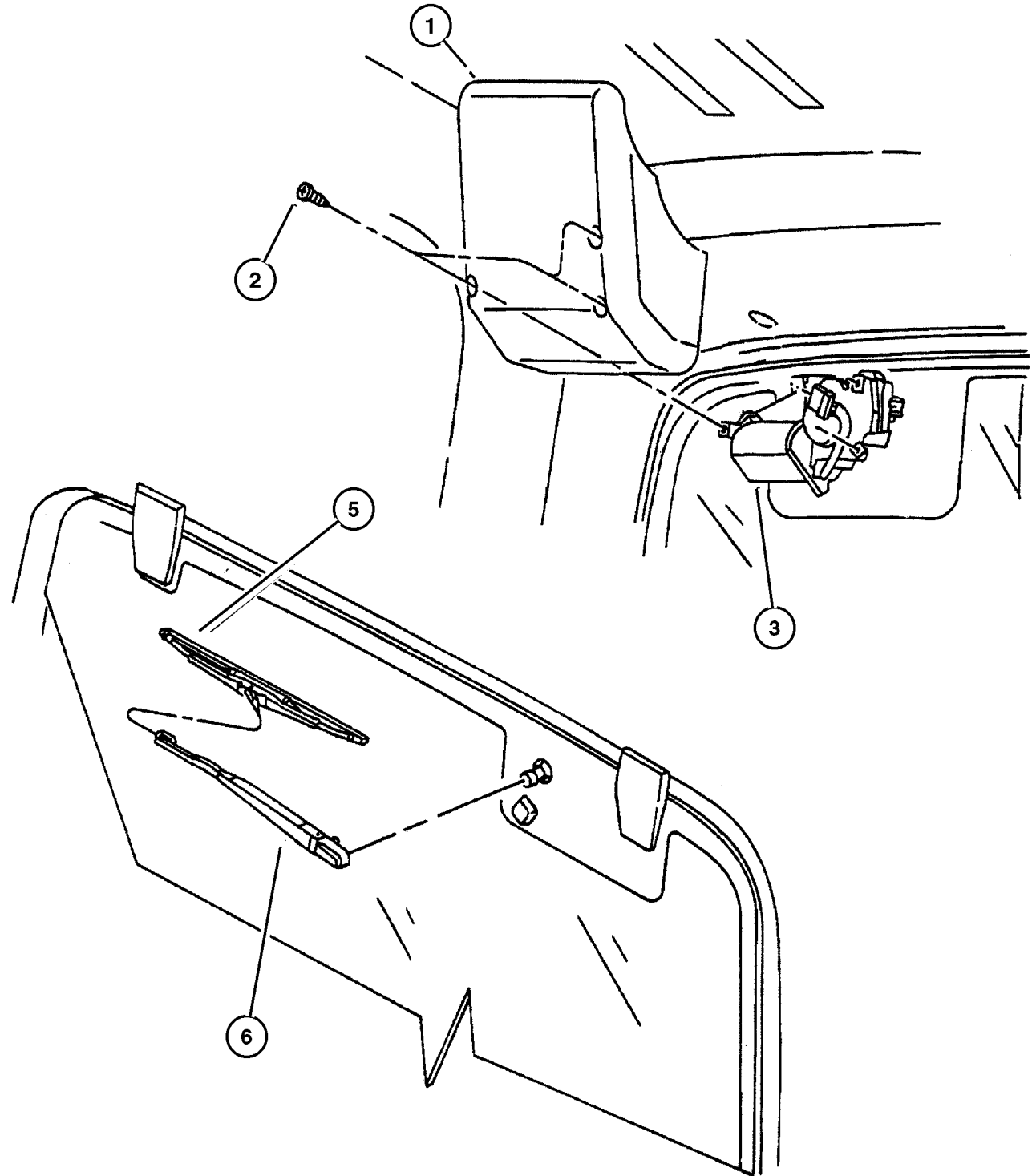
ITEM	PART NUMBER	QTY	LINE	BODY	DESCRIPTION
1	5515 5030	1			COVER, Wiper Motor
2					SCREW, 164-18X.750 (Not Serviced) , (NOT SERVICED)
3	5515 5322	1			MOTOR, Wiper, (Single Speed)
4	5515 5445	1			BLADE, Wiper
5	5515 5660	1			ARM, Wiper, Rear Wiper ***
-6	5517 6464	1			GROMMET, Wiper Motor And Bracket
-7	4883 520AA	1			NOZZLE, Liftgate Washer
-8	5515 5457	1			CHECK VALVE, Washer
-9	5600 3982	1			PLUG, Sealing, Tether (Hard Top)
-10	5515 4545	1			WASHER, Between Gass & Motor
-11	5515 4556	1			SPACER, Wiper Motor, Triangle Shaped
-12	5600 3682	1			NUT, Hex Flange, M16

JEEP WRANGLER (TJ)				
SERIES	LINE	BODY	ENGINE	TRANSMISSION
L=Low Line	J = Wrangler 4WD U = Wrangler 4WD (RHD)	77 = 93.4 WB	EPE, EP0 = 2.5L Power Tech ERH, ER0 = 4.0L Power Tech	DGG, DGD = 32RH 3 Spd. Auto. DDQ = 5 Spd. Manual DG0 = All Auto. Trans. DBB =All Manual Trans.

AR = Use as required - = Non illustrated part # = New this model year

June 7, 2002

Rear Wiper System 1999 TJ
Figure 23D-305



ITEM	PART NUMBER	QTY	LINE	BODY	DESCRIPTION
1	5515 5030	1			COVER, Wiper Motor
2					SCREW, 164-18X.750 (Not Serviced) , (NOT SERVICED)
3	55155 322AB	1			MOTOR, Wiper
-4	4883 521AA	1			NUT, Rear Wiper Motor
5	5515 5445	1			BLADE, Wiper
6	5515 5660	1			ARM, Wiper, Rear Wiper
-7	5517 6464	1			GROMMET, Wiper Motor And Bracket
-8	4883 520AA	1			NOZZLE, Liftgate Washer
-9	5515 5457	1			CHECK VALVE, Washer
-10	5600 3982	1			PLUG, Sealing
-11	5515 4545	1			WASHER, Between Glass & Motor
-12	5515 4556	1			SPACER, Wiper Motor, Triangle Shaped
-13	5600 3682	1			NUT, Hex Flange, M16

JEEP WRANGLER (TJ)				
SERIES	LINE	BODY	ENGINE	TRANSMISSION
L=Low Line	J = Wrangler 4WD U = Wrangler 4WD (RHD)	77 = 93.4 WB	EPE, EP0 = 2.5L Power Tech ERH, ER0 = 4.0L Power Tech	DGG, DGD = 32RH 3 Spd. Auto. DDQ = 5 Spd. Manual DG0 = All Auto. Trans. DBB =All Manual Trans.

AR = Use as required - = Non illustrated part # = New this model year

June 7, 2002

Group – 024

Air Conditioning & Heater

GROUP 24 - Air Conditioning & Heater

Illustration Title

Group-Fig. No.

Air Conditioner and Heater Units

Hevac Unit 1997 TJ 1998 TJ Fig. 024-110

Hevac Unit 1999 TJ Fig. 024-110

Air Conditioner and Heater Plumbing

Hoses, Heater 2.5L Engine Fig. 024-205

Hoses, Heater 2.5L Engine, RHD Fig. 024-210

Hoses, Heater 4.0L Engine 1997 TJ 1998 TJ Fig. 024-215

Hoses, Heater 4.0L Engine, LHD 1999 TJ Fig. 024-215

Hoses, Heater 4.0L Engine, RHD Fig. 024-220

Plumbing, Hevac 2.5L Engine 1997 TJ Fig. 024-225

Plumbing, Hevac 2.5L Engine 1998 TJ Fig. 024-225

Plumbing, Hevac 2.5L Engine 1999 TJ Fig. 024-225

Plumbing, Hevac 2.5L Engine, Rhd 1997 TJ Fig. 024-230

Plumbing, Hevac 2.5L Engine, Rhd 1998 TJ Fig. 024-230

Plumbing, Hevac 2.5L Engine, Rhd 1999 TJ Fig. 024-230

Plumbing, Hevac 4.0L Engine 1997 TJ Fig. 024-235

Plumbing, Hevac 4.0L Engine 1998 TJ Fig. 024-235

Plumbing, Hevac 4.0L Engine 1999 TJ Fig. 024-235

Plumbing, Hevac 4.0L Engine, Rhd 1997 TJ Fig. 024-240

Plumbing, Hevac 4.0L Engine, Rhd 1998 TJ Fig. 024-240

Plumbing, Hevac 4.0L Engine, Rhd 1999 TJ Fig. 024-240

Seals, A/c Condenser 1997 TJ 1998 TJ Fig. 024-245

Seals, A/c Condenser 1999 TJ Fig. 024-245

Air Conditioner and Heater Controls

Control, Heater And A/c 1997 TJ 1998 TJ Fig. 024-310

Control, Heater And A/c 1999 TJ Fig. 024-310

Air Conditioning Compressor

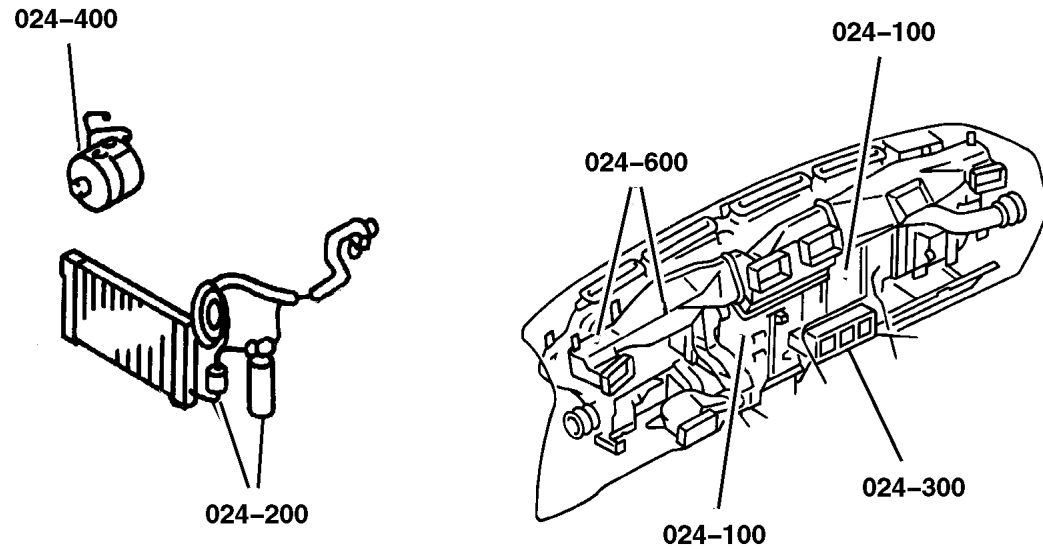
Compressor, A/c 1997 TJ 1998 TJ Fig. 024-410

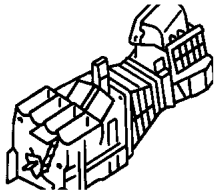
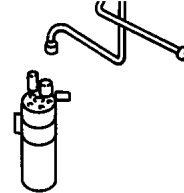
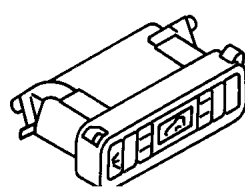
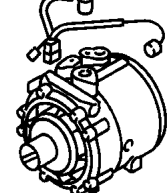
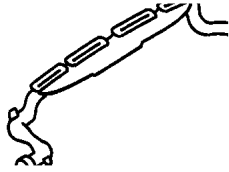
Compressor, A/c 1999 TJ Fig. 024-410

Air Ducts and Outlets

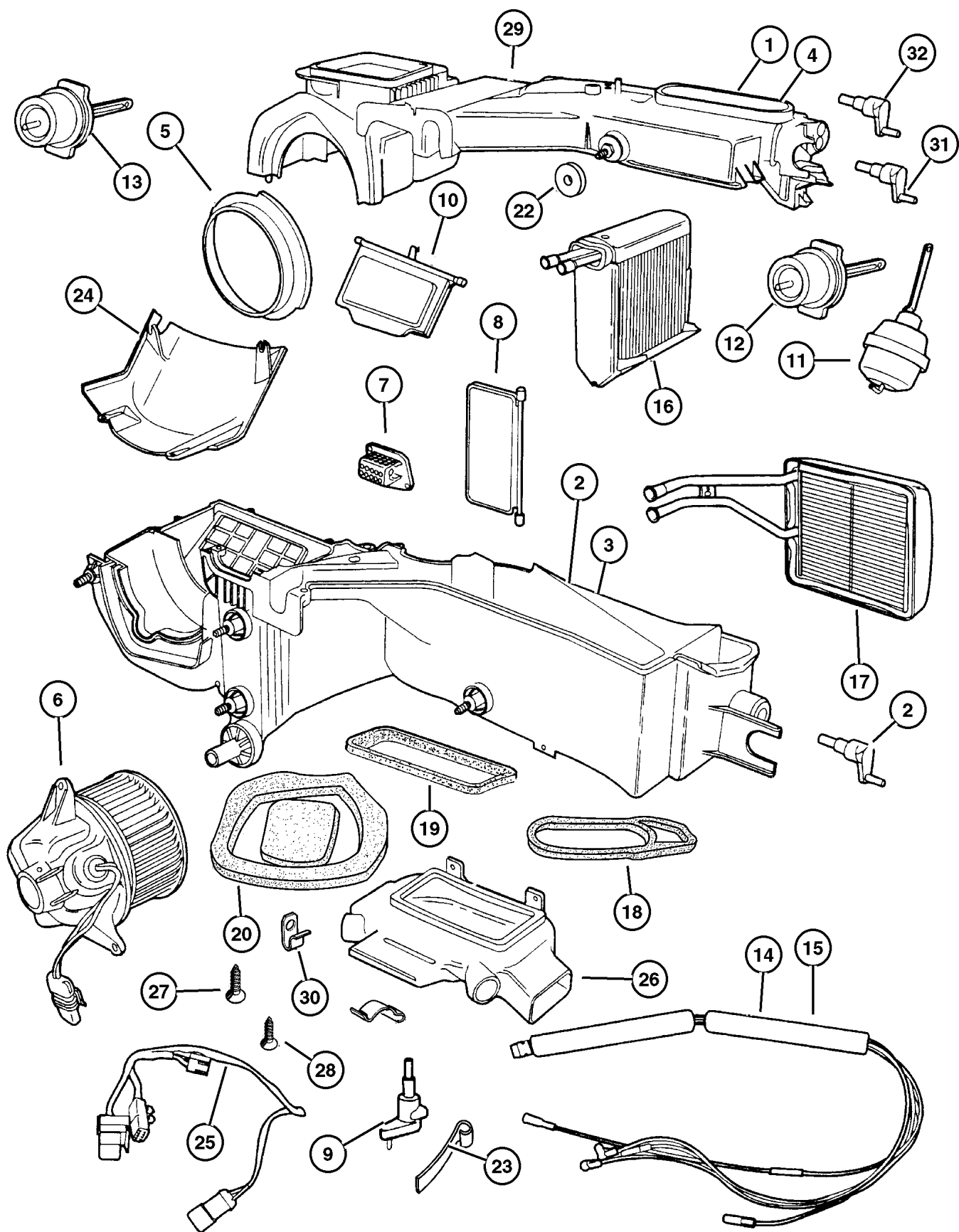
Ducts, Heater And A/c 1997 TJ 1998 TJ Fig. 024-610

Ducts, Heater And A/c 1999 TJ Fig. 024-610



<p>024-100 Air Conditioner and Heater Units</p> 	<p>024-200 Air Conditioner and Heater Plumbing</p> 	<p>024-300 Air Conditioner and Heater Controls</p> 	<p>024-400 Air Conditioning Compressor</p> 
<p>024-600 Air Ducts and Outlets</p> 			

Hevac Unit 1997 TJ 1998 TJ
Figure 024-110



ITEM	PART NUMBER	QTY	LINE	BODY	ENGINE	DESCRIPTION
Note: Sales Code EN0 = 2.5L Diesel Engine J=Dana 35 Rear Axle---DRK=Dana 44 Rear Axle						
Note: Sales Code EP0 = 2.5L Gas Engine J=Dana 35 Rear Axle---DRK=Dana 44 Rear Axle						
Note: Sales Code ER0 = 4.0L Gas Engine J=Dana 35 Rear Axle---DRK=Dana 44 Rear Axle						
1						HOUSING, Heater Upper
	4864 944	1	J			
	4864 946	1	U	77		1997 TJ, Upper
		1	U			1998 TJ, Upper
2						HOUSING, Heater Lower
	4864 948	1	J	77		1997 TJ, Lower
		1	J			1998 TJ, Lower
	4864 950	1	U	77		1997 TJ, Lower
		1	U			1998 TJ, Lower
3						HOUSING, A/C Lower
	4864 947	1	J	77		1997 TJ
	4864 947AB	1	J			1998 TJ
	4864 949	1	U	77		1997 TJ
		1	U			1998 TJ
4						HOUSING, A/C Upper
	4864 943	1	J			1997 TJ
	4864 945	1	U	77		1997 TJ
		1	U			1998 TJ
5						RING
	4338 909	1			EP0	
		1			EN0,	1997 TJ
					ER0	
		1			ER0	1998 TJ
	4864 951	1	J	77		Venturi, 1997 TJ
		1	U	77		Venturi, 1997 TJ
		1	J			Venturi, 1998 TJ
6						BLOWER
	4864 952	1	J	77		1997 TJ
	4864 956	1	U	77		1997 TJ
		1	U	77		with A/C, 1997 TJ
		1	U			1998 TJ
	4886 150AA	1	J			1998 TJ
7						RESISTOR, Blower Motor
	4864 957	1	U	77		Blower ***, 1997 TJ
		1	J			1998 TJ
		1	U			1998 TJ
8						DOOR, Blend Air
	4864 958	1	J	77		Blend Air, 1997 TJ
		1	J			1998 TJ
	4864 988	1	U	77		1997 TJ

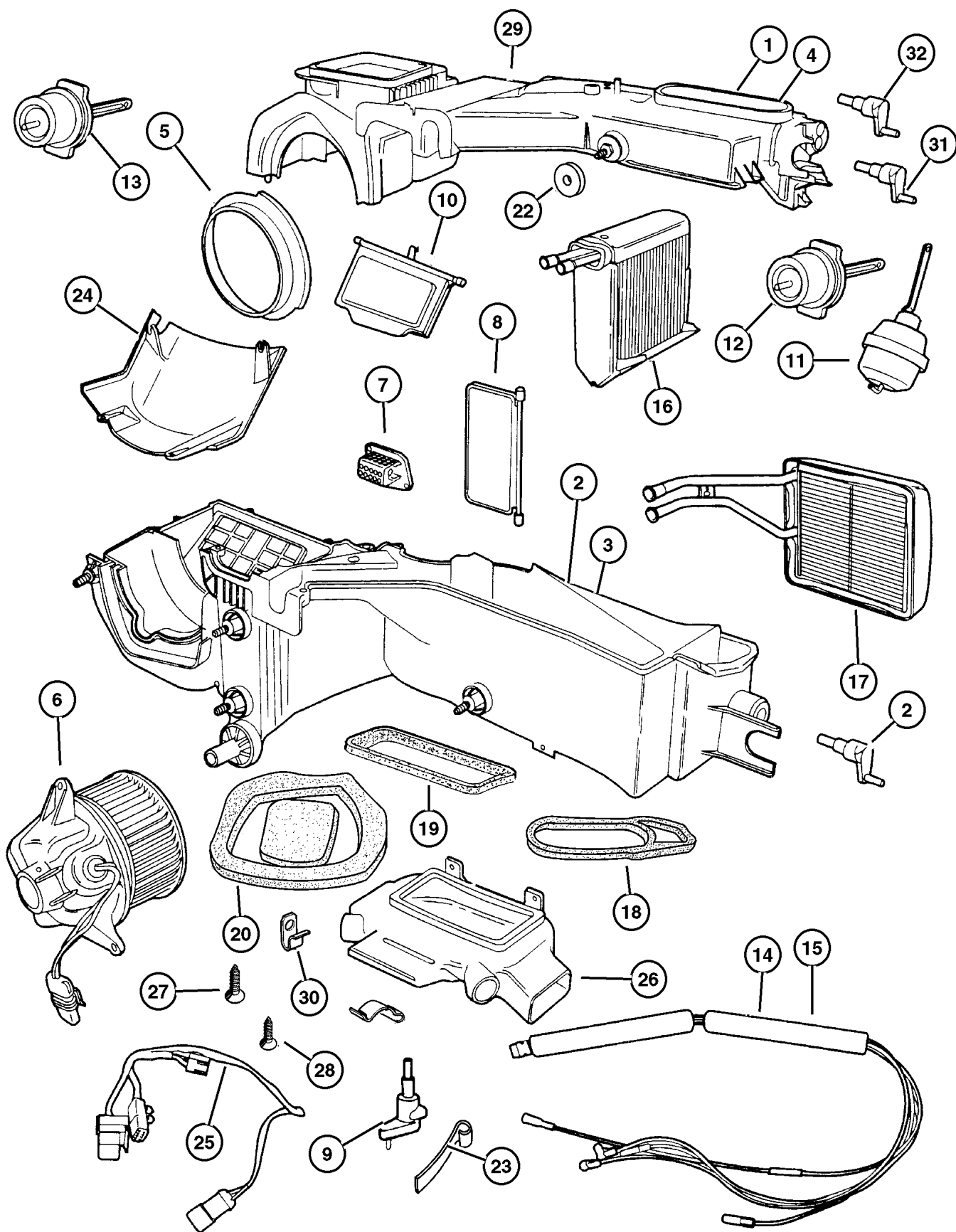
JEEP WRANGLER (TJ)

SERIES	LINE	BODY	ENGINE	TRANSMISSION
L=Low Line	J = Wrangler 4WD U = Wrangler 4WD (RHD)	77 = 93.4 WB	EPE, EP0 = 2.5L Power Tech ERH, ER0 = 4.0L Power Tech	DGG, DGD = 32RH 3 Spd. Auto. DDQ = 5 Spd. Manual DGO = All Auto. Trans. DBB =All Manual Trans.

AR = Use as required - = Non illustrated part # = New this model year

June 7, 2002

Hevac Unit 1997 TJ 1998 TJ
Figure 024-110



ITEM	PART NUMBER	QTY	LINE	BODY	ENGINE	DESCRIPTION
		1	U			1998 TJ
9						LEVER, Blend Air Door
	4864 990	1	J	77		1997 TJ
	4864 991	1	U	77		1997 TJ
	4897 626AA	1	J			1998 TJ
	4897 628AA	1	U			1998 TJ
10						DOOR, Fresh Air
	4864 992	1	J	77		Recirculating, 1997 TJ
		1	J			1998 TJ
	4864 993	1	U	77		1997 TJ
		1	U			1998 TJ
11						ACTUATOR, Vacuum
	4864 994	1	J	77		Defrost, 1997 TJ
		1	U	77		Defrost, 1997 TJ
		1	J			1998 TJ
		1	U			1998 TJ
12						ACTUATOR, Vacuum
	4864 995	2	J			Panel/Floor, 1997 TJ
		2	U			Panel/Floor, 1997 TJ
		1	J			1998 TJ
		1	U			1998 TJ
13						ACTUATOR, Vacuum
	4864 996	1	J	77		Recirculating, 1997 TJ
		1	U	77		Recirculating, 1997 TJ
		1	J			1998 TJ
		1	U			1998 TJ
14						HARNESS, Heater Vacuum
	4864 998	1	J	77		1997 TJ
		1	U	77		1997 TJ
	4864 998AB	1	U			1998 TJ
		1	J			1998 TJ
15						VACUUM HARNESS, Heater and A/C
	4864 997	1	J	77		1997 TJ
		1	U	77		1997 TJ
	4864 997AB	1	J			1998 TJ
		1	U			1998 TJ
16						EVAPORATOR KIT, A/C
	4864 999	1	J	77		Evaporator, 1997 TJ
	4864 999AB	1	J			1998 TJ
	4874 044	1	U	77		1997 TJ
	4874 044AB	1	U			1998 TJ
17						CORE, Heater
	4874 045	1	J	77		Heater Core, 1997 TJ

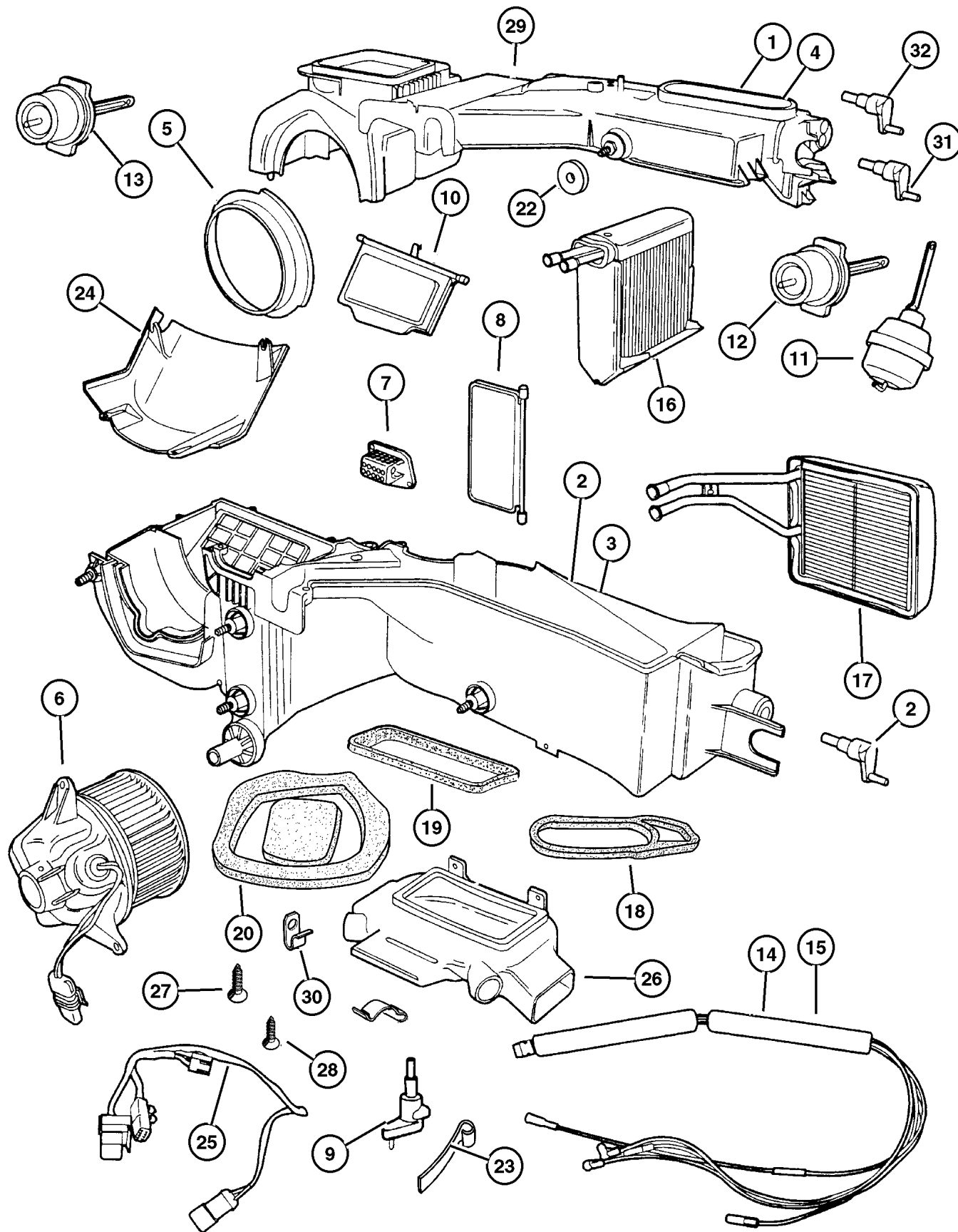
JEEP WRANGLER (TJ)

SERIES	LINE	BODY	ENGINE	TRANSMISSION
L=Low Line	J = Wrangler 4WD U = Wrangler 4WD (RHD)	77 = 93.4 WB	EPE, EP0 = 2.5L Power Tech ERH, ER0 = 4.0L Power Tech	DGG, DGD = 32RH 3 Spd. Auto. DDQ = 5 Spd. Manual DG0 = All Auto. Trans. DBB =All Manual Trans.

AR = Use as required - = Non illustrated part # = New this model year

June 7, 2002

Hevac Unit 1997 TJ 1998 TJ
Figure 024-110



ITEM	PART NUMBER	QTY	LINE	BODY	ENGINE	DESCRIPTION
		1	J			1998 TJ
	4874 046	1	U	77		1997 TJ
		1	U			1998 TJ
18						SEAL, Defroster Duct
	4874 064	1	J	77		Defrost/Demister, 1997 TJ
		1	J			1998 TJ
	4874 066	1	U	77		1997 TJ
		1	U			1998 TJ
19						SEAL, Vent
	4874 068	1	J	77		Vent Opening, 1997 TJ
		1	U	77		Vent Opening, 1997 TJ
		1	J			1998 TJ
		1	U			1998 TJ
20						SEAL, Drain To Dash
	4874 069AB	1	J	77		with Air Conditioning, 1997 TJ
		1	J			with Air Conditioning, 1998 TJ
	4874 070AB	1	U	77		with Air Conditioning, 1997 TJ
		1	U			with Air Conditioning, 1998 TJ
-21						SEAL, Drain Tube
	4874 071AB	1	J	77		without Air Conditioning, 1997 TJ
		1	J			without Air Conditioning, 1998 TJ
	4874 072AB	1	U	77		without Air Conditioning, 1997 TJ
		1	U			without Air Conditioning, 1998 TJ
22						WASHER, Sealing
	6031 087	5	J			Sealing, 1997 TJ
		5	U			Sealing, 1997 TJ
		1	J			1998 TJ
		1	U			1998 TJ
23						SPRING, A/C Heater Mode Door
	4874 077	1	J	77		1997 TJ
		1	U	77		1997 TJ
		1	J			1998 TJ
		1	U			1998 TJ
24						COVER, Recirculating Valve
	4874 078	1	J	77		Recirculating Protector, 1997 TJ
		1	J			1998 TJ
	4874 079	1	U	77		1997 TJ
		1	U			1998 TJ
25						WIRING, Air Conditioning Module
	4886 085AA	1	J	77		1997 TJ
		1	U	77		1997 TJ
		1	J			1998 TJ
		1	U			1998 TJ
26						DUCT, Floor Distribution

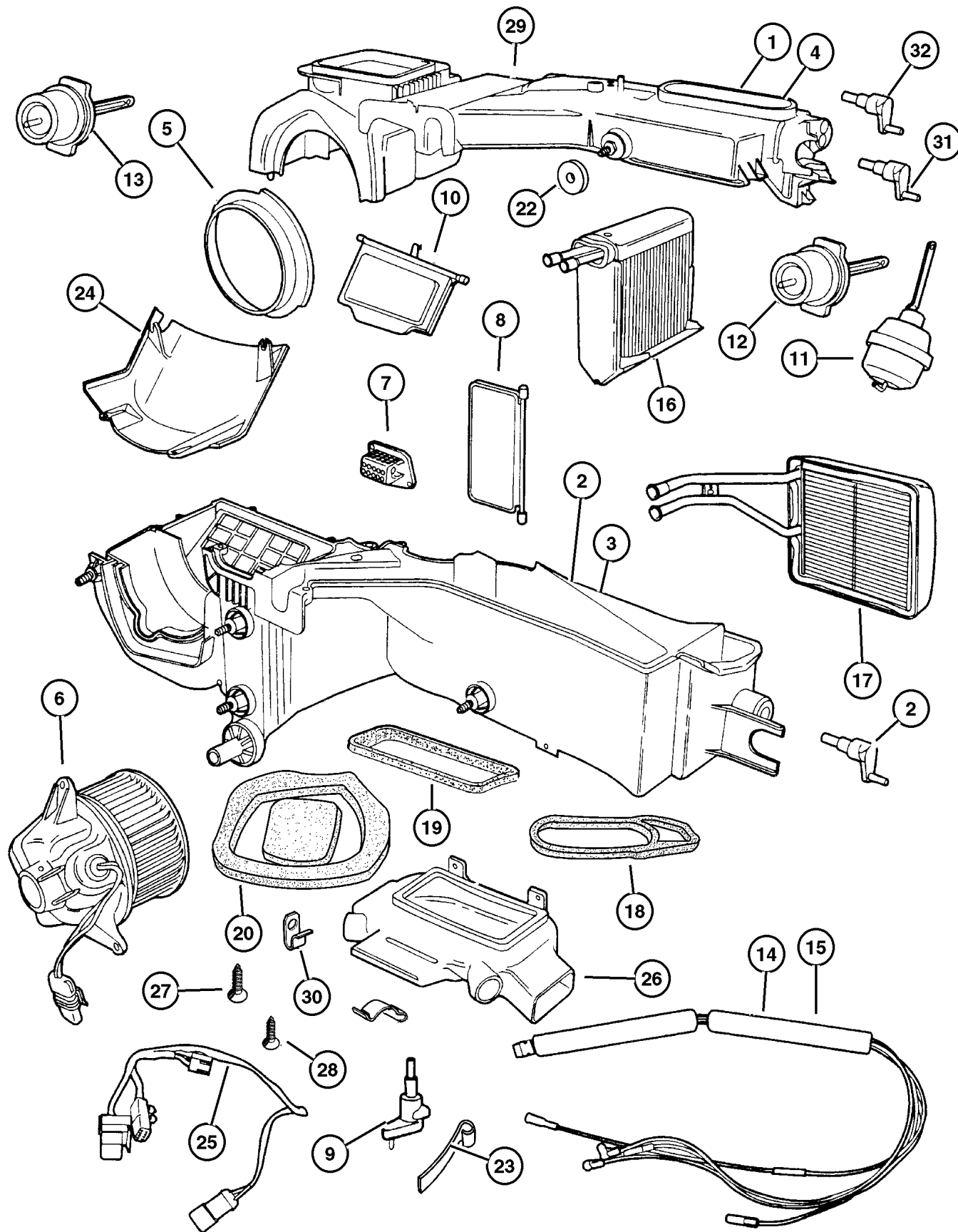
JEEP WRANGLER (TJ)

SERIES	LINE	BODY	ENGINE	TRANSMISSION
L=Low Line	J = Wrangler 4WD U = Wrangler 4WD (RHD)	77 = 93.4 WB	EPE, EP0 = 2.5L Power Tech ERH, ER0 = 4.0L Power Tech	DGG, DGD = 32RH 3 Spd. Auto. DDQ = 5 Spd. Manual DG0 = All Auto. Trans. DBB =All Manual Trans.

AR = Use as required - = Non illustrated part # = New this model year

June 7, 2002

Hevac Unit 1997 TJ 1998 TJ
Figure 024-110



ITEM	PART NUMBER	QTY	LINE	BODY	ENGINE	DESCRIPTION
	4874 088	1	J	77		w/Seal, Floor, 1997 TJ
		1	J			1998 TJ
	4874 089	1	U	77		1997 TJ
		1	U			1998 TJ
27						SCREW, Hex Head, M4.8-1.59x19
	4734 227	15	J			1997 TJ
		15	U			1997 TJ
		1	J			1998 TJ
		1	U			1998 TJ
28						SCREW
	9419 322	1	J	77		1997 TJ
		1	U	77		1997 TJ
		1	J			1998 TJ
		1	U			1998 TJ
29						CLIP, A/C Heater Housing
	4644 388	4	U			Housing, 1997 TJ
		4	J			Housing, 1997 TJ
		1	J			1998 TJ
		1	U			1998 TJ
30						CLIP, Air Conditioning, 25mm Diameter
	4644 127	1	J	77		Duct to Housing, 1997 TJ
		1	U	77		Duct to Housing, 1997 TJ
		1	J			1998 TJ
		1	U			1998 TJ
31	4886 086AB	1	J			LEVER, Panel Door
32	5014 108AA	1	J			LEVER, Defroster Door
-33						DOOR, Defroster, Serviced With Upper Housing Only, (NOT SERVICED)

JEEP WRANGLER (TJ)
 SERIES LINE BODY ENGINE TRANSMISSION
 L=Low Line J = Wrangler 4WD 77 = 93.4 WB EPE, EP0 = 2.5L Power Tech DGG, DGD = 32RH 3 Spd. Auto.
 U = Wrangler 4WD (RHD) ERH, ER0 = 4.0L Power Tech DDQ = 5 Spd. Manual
 DG0 = All Auto. Trans.
 DBB =All Manual Trans.

AR = Use as required - = Non illustrated part # = New this model year

June 7, 2002

Hevac Unit 1999 TJ
Figure 024-110

ITEM	PART NUMBER	QTY	LINE	BODY	ENGINE	DESCRIPTION
1						HOUSING, Heater
	#5013 731AA	1	J			Upper
	#5013 734AA	1	U			Upper
	5013 736AA	1	J			Lower
	5013 739AA	1	U			Lower
2						HOUSING, A/C Upper
	#5013 730AA	1	J			
	#5013 733AA	1	U			
3						HOUSING, A/C Lower
	5014 859AA	1	J			with A/C
	5014 860AA	1	J			without A/C
	5013 738AA	1	U			
4						RING
	4338 909	1			EPO, ERO EPO	
	4864 951	1	J			Venturi
		1	U			Venturi
5						BLOWER
	4864 956	1	U			
	4886 150AA	1	J			
6						RESISTOR, Blower Motor
	4864 957	1	J			
		1	U			
7						DOOR, Blend Air
	4897 610AA	1	J			
	4897 611AA	1	U			
8						DOOR, Fresh Air
	4864 992	1	J			
	4864 993	1	U			
9						ACTUATOR, Vacuum
	4864 994	1	J			
		1	U			
10						ACTUATOR, Vacuum
	4864 995	2	J			
		2	U			
-11						ACTUATOR, Blend Door
	5013 741AA	1	U			
		1	J			Electric
-12						ADAPTER, Blend Door, A/C and Heater
	5013 742AA	1	J			
	5013 743AA	1	U			
-13	5013 745AA	1	J			BRACKET, Blend Door Adapter, A/C and Heater
14						ACTUATOR, Vacuum

JEEP WRANGLER (TJ)

SERIES
L=Low Line

LINE
J = Wrangler 4WD
U = Wrangler 4WD (RHD)

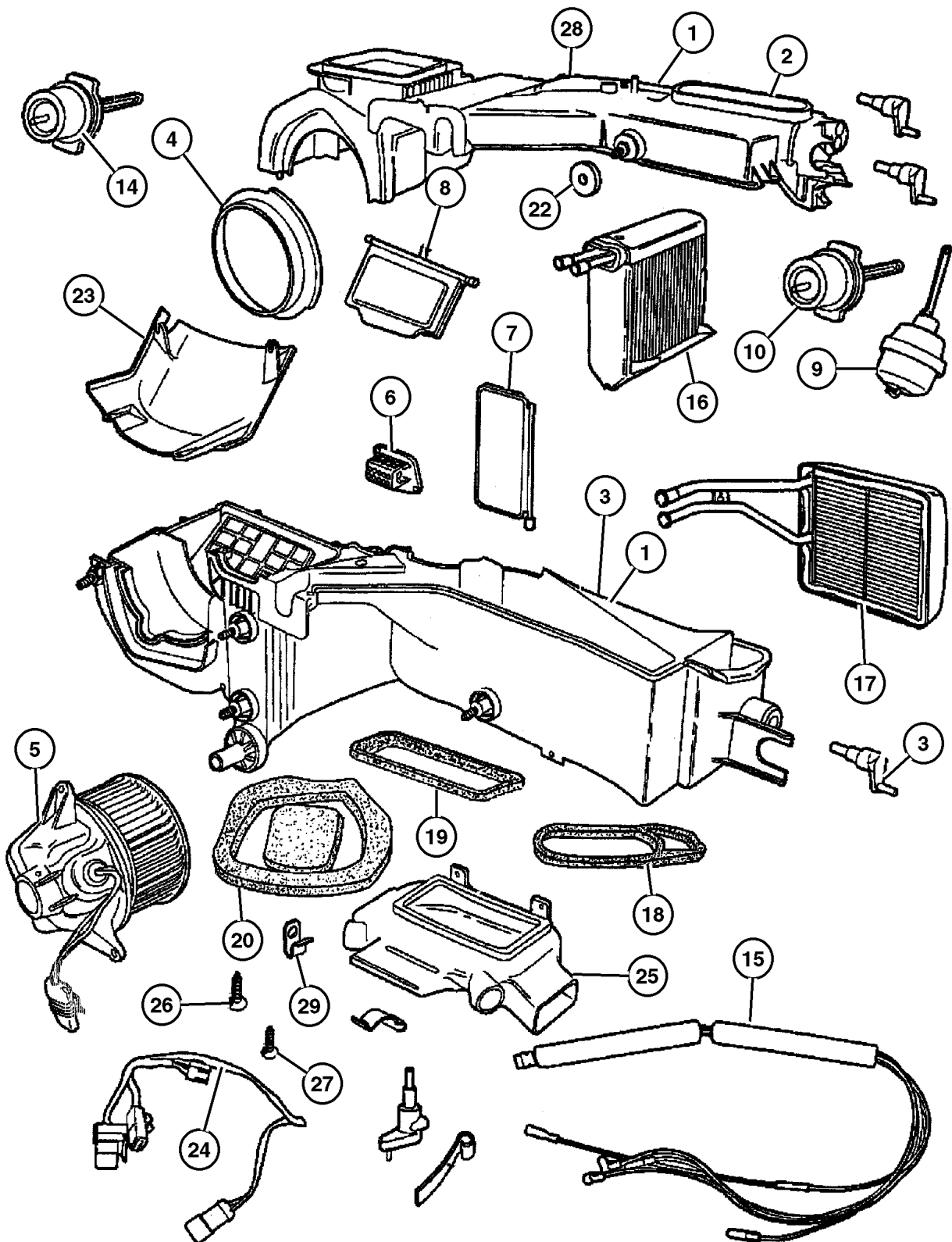
BODY
77 = 93.4 WB

ENGINE
EPE, EP0 = 2.5L Power Tech
ERH, ER0 = 4.0L Power Tech

TRANSMISSION
DGG, DGD = 32RH 3 Spd. Auto.
DDQ = 5 Spd. Manual
DGO = All Auto. Trans.
DBB =All Manual Trans.

AR = Use as required - = Non illustrated part # = New this model year

June 7, 2002



Hevac Unit 1999 TJ
Figure 024-110

ITEM	PART NUMBER	QTY	LINE	BODY	ENGINE	DESCRIPTION
	4864 996	1	J			
		1	U			
15						HARNESS, Heater Vacuum
	4864 998AB	1	J			
		1	U			
16						EVAPORATOR KIT, A/C
	4864 999AC	1	J			
	4874 044AC	1	U			
17						CORE, Heater
	4874 045	1	J			
	4874 046	1	U			
18						SEAL, Defroster Duct
	4874 064	1	J			
	4874 066	1	U			
19						SEAL, Vent
	4874 068	1	J			
		1	U			
20						SEAL, Drain To Dash with Air Conditioning
	4874 069AB	1	J			
	4874 070AB	1	U			with Air Conditioning
-21						SEAL, Drain Tube
	4874 071AB	1	J			without Air Conditioning
	4874 072AB	1	U			without Air Conditioning
22						WASHER, Sealing
	6031 087	5	J			
		5	U			
23						COVER, Recirculating Valve
	4874 078	1	J			
	4874 079	1	U			
24						WIRING, Air Conditioning Module
	5013 744AA	1	J			
		1	U			
25						DUCT, Floor Distribution
	4874 088	1	J			
	4874 089	1	U			
26						SCREW, Hex Head, M4.8-1.59x19
	4734 227	15	J			
		15	U			
27						SCREW
	9419 322	1	J			
		1	U			
28						CLIP, A/C Heater Housing
	4644 388	4	J			

JEEP WRANGLER (TJ)

SERIES
L=Low Line

LINE
J = Wrangler 4WD
U = Wrangler 4WD (RHD)

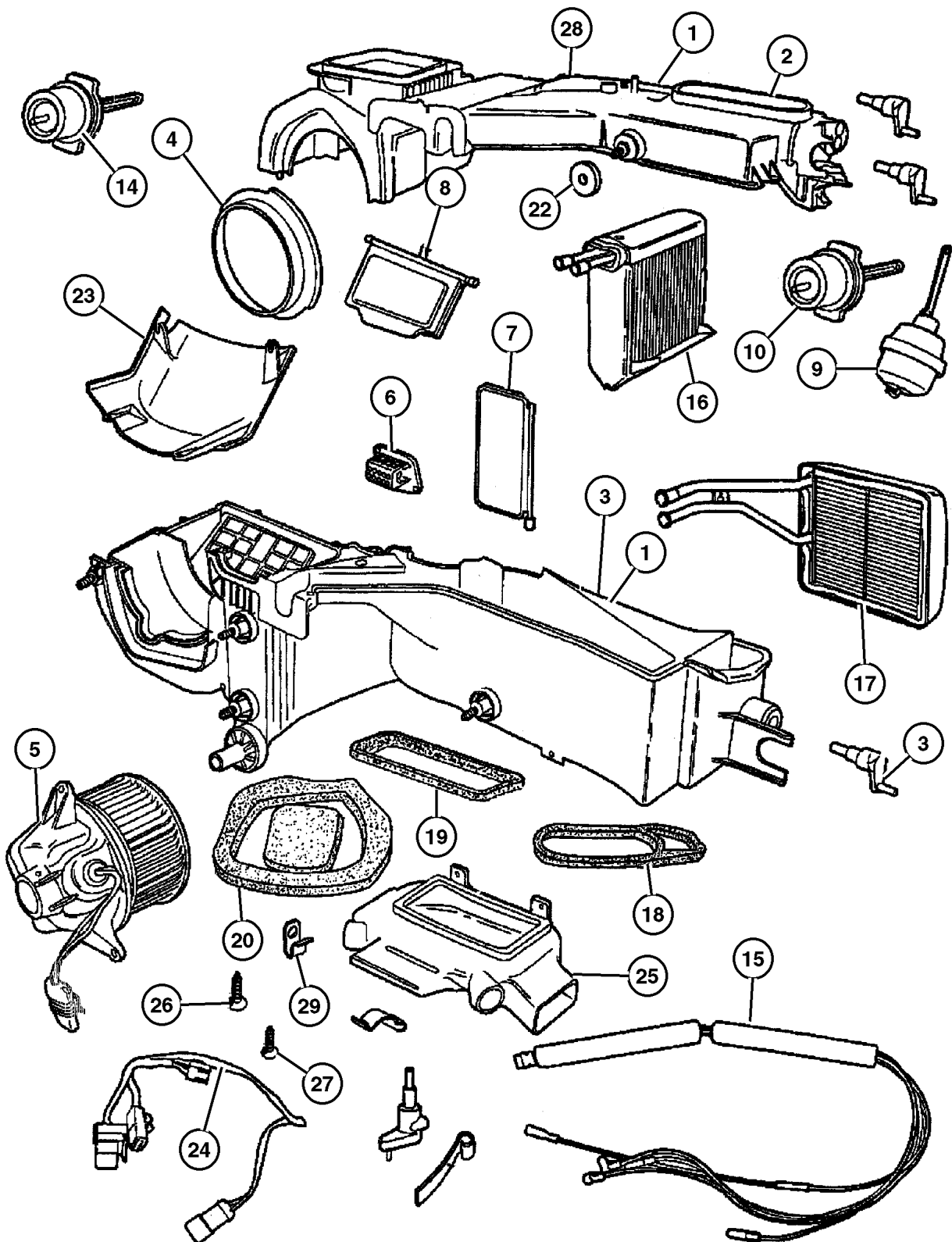
BODY
77 = 93.4 WB

ENGINE
EPE, EP0 = 2.5L Power Tech
ERH, ER0 = 4.0L Power Tech

TRANSMISSION
DGG, DGD = 32RH 3 Spd. Auto.
DDQ = 5 Spd. Manual
DGO = All Auto. Trans.
DBB =All Manual Trans.

AR = Use as required - = Non illustrated part # = New this model year

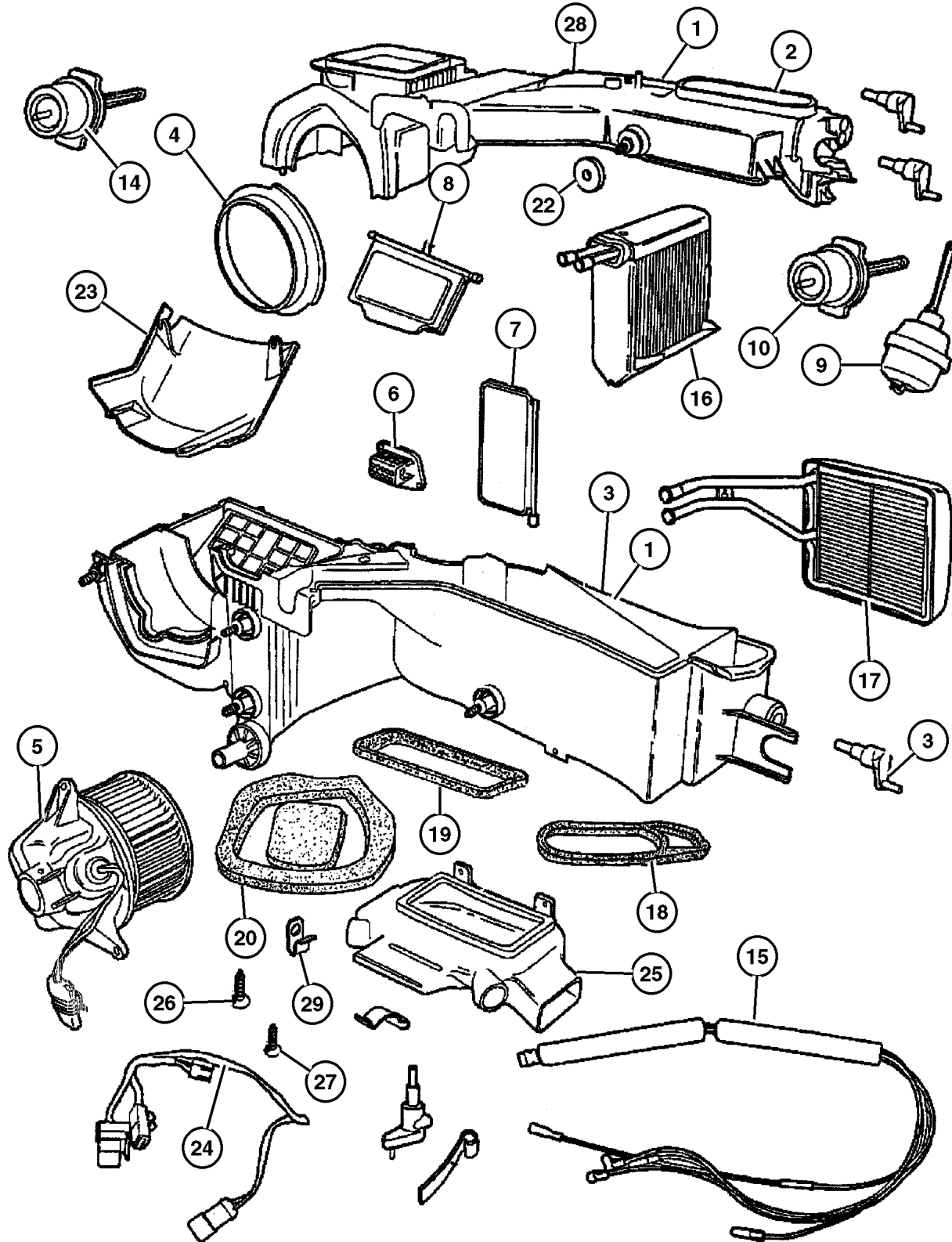
June 7, 2002



Hevac Unit 1999 TJ
Figure 024-110

ITEM	PART NUMBER	QTY	LINE	BODY	ENGINE	DESCRIPTION
------	-------------	-----	------	------	--------	-------------

		4	U			
29	4644 127	1	J			CLIP, Air Conditioning, 25mm Diameter
		1	U			



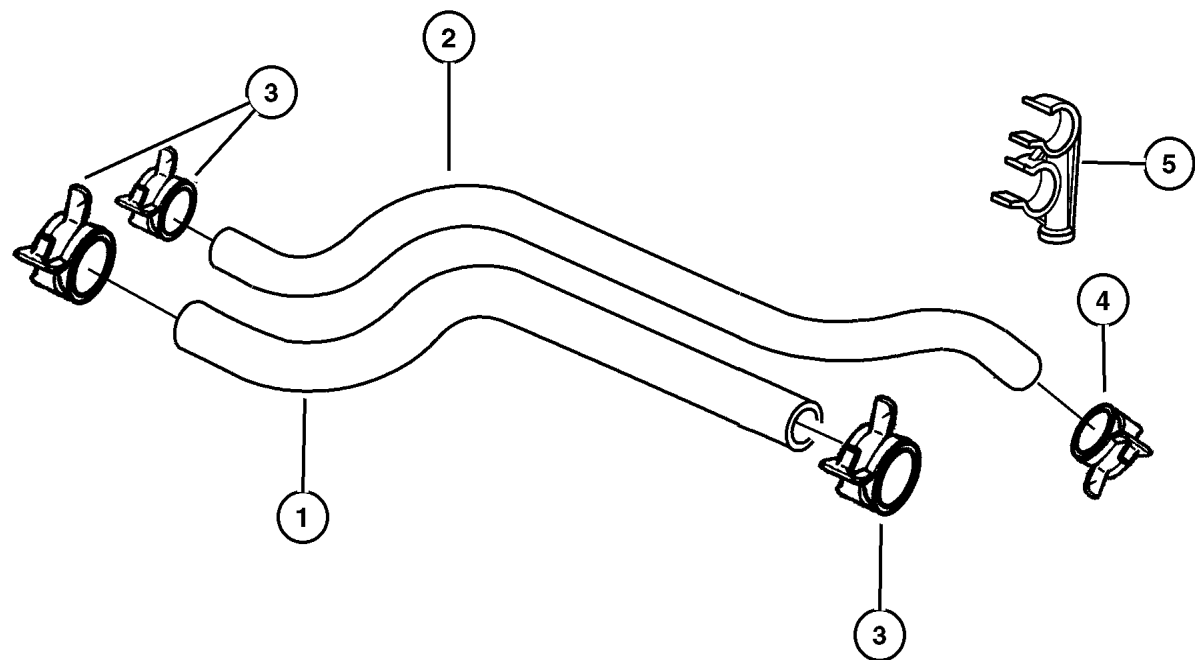
JEEP WRANGLER (TJ)

SERIES	LINE	BODY	ENGINE	TRANSMISSION
L=Low Line	J = Wrangler 4WD U = Wrangler 4WD (RHD)	77 = 93.4 WB	EPE, EP0 = 2.5L Power Tech ERH, ER0 = 4.0L Power Tech	DGG, DGD = 32RH 3 Spd. Auto. DDQ = 5 Spd. Manual DG0 = All Auto. Trans. DBB =All Manual Trans.

AR = Use as required - = Non illustrated part # = New this model year

June 7, 2002

Hoses, Heater 2.5L Engine Figure 024-205



ITEM	PART NUMBER	QTY	LINE	BODY	ENGINE	DESCRIPTION
Note: Sales Code EP0 = 2.5L Gas Engine J=Dana 35 Rear Axle---DRK=Dana 44 Rear Axle J=Dana 35 Rear Axle---DRK=Dana 44 Rear Axle						
1						HOSE, Heater Supply
	5503 6348	1	J	77	EP0	Supply, 1997 TJ
	5503 6379	1	U		EP0	1998 TJ, 1999 TJ
2	5503 6344	1	J		EP0	HOSE, Heater Return, Return
3	6502 017	2	J		ER0	CLAMP, Heater Hose
4						CLAMP, Hose, M28.9 x 1.60
	6502 018	2	J		EP0	
		2	J		ER0	1997 TJ
		1	J		EP0	1997 TJ, 1998 TJ
5						BRACKET, Hose
	5503 5933	AR				Hose, 1997 TJ
		1			EP0	Hose, 1997 TJ
		2	U		EP0,	1998 TJ, 1999 TJ
					ER0	
		1	J		EP0,	1998 TJ, 1999 TJ
					ER0	

JEEP WRANGLER (TJ)

SERIES	LINE	BODY	ENGINE	TRANSMISSION
L=Low Line	J = Wrangler 4WD U = Wrangler 4WD (RHD)	77 = 93.4 WB	EPE, EP0 = 2.5L Power Tech ERH, ER0 = 4.0L Power Tech	DGG, DGD = 32RH 3 Spd. Auto. DDQ = 5 Spd. Manual DG0 = All Auto. Trans. DBB =All Manual Trans.

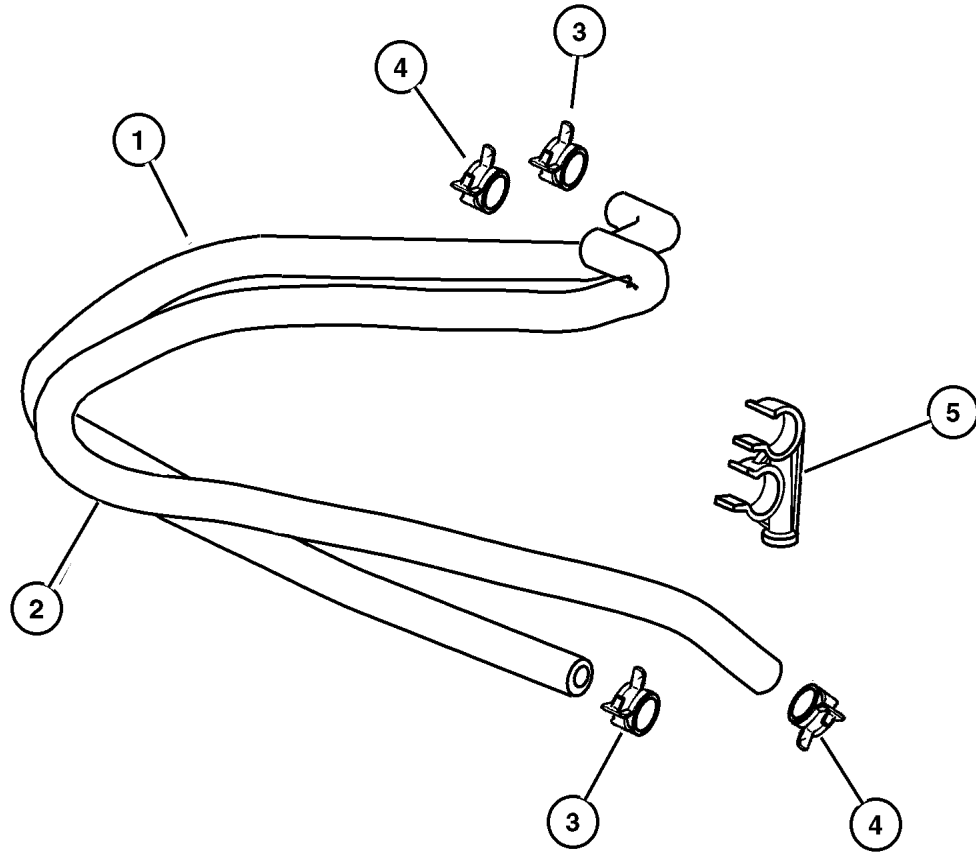
97J24 205

AR = Use as required - = Non illustrated part # = New this model year

June 7, 2002

Hoses, Heater 2.5L Engine, RHD
Figure 024-210

ITEM	PART NUMBER	QTY	LINE	BODY	ENGINE	DESCRIPTION
Note: Sales Code EP0 = 2.5L Gas Engine J=Dana 35 Rear Axle---DRK=Dana 44 Rear Axle						
1	5503 6481	1	U		EP0	HOSE, Heater Return
		1	U	77	EP0	Return, 1997 TJ
2	5503 6379	1	U		EP0	HOSE, Heater Supply
		1	U	77	EP0	Supply, 1997 TJ
3	6502 017	2	J		ER0	CLAMP, Heater Hose
4	6502 018	2	J		EP0	CLAMP, Hose, M28.9 x 1.60
		2	J		ER0	1997 TJ
		1	J		EP0	1997 TJ, 1998 TJ
5	5503 5933	AR				BRACKET, Hose
		2			ER0	Hose, 1997 TJ
		2	U		EP0, ER0	Hose, 1997 TJ, 1998 TJ, 1999 TJ



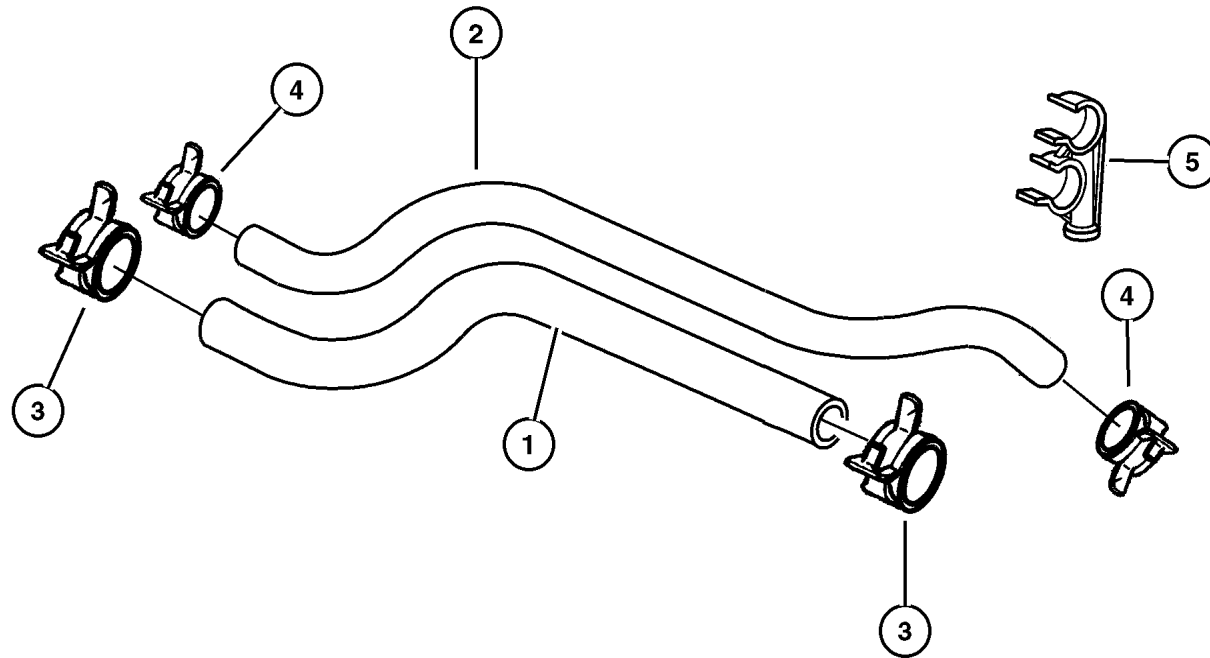
JEEP WRANGLER (TJ)				
SERIES	LINE	BODY	ENGINE	TRANSMISSION
L=Low Line	J = Wrangler 4WD U = Wrangler 4WD (RHD)	77 = 93.4 WB	EPE, EP0 = 2.5L Power Tech ERH, ER0 = 4.0L Power Tech	DGG, DGD = 32RH 3 Spd. Auto. DDQ = 5 Spd. Manual DG0 = All Auto. Trans. DBB =All Manual Trans.

AR = Use as required - = Non illustrated part # = New this model year

June 7, 2002

Hoses, Heater 4.0L Engine 1997 TJ 1998 TJ
Figure 024-215

ITEM	PART NUMBER	QTY	LINE	BODY	ENGINE	DESCRIPTION
Note: Sales Code ER0 = 4.0L Gas Engine J=Dana 35 Rear Axle---DRK=Dana 44 Rear Axle						
1	5503 6976	1	J		ER0	HOSE, Heater, Supply
2	5503 6345	1	J		ER0	HOSE, Heater Return, Return
3	6502 017	2	J		ER0	CLAMP, Heater Hose
4						CLAMP, Hose, M28.9 x 1.60
	6502 018	2	J		EPO	
		2	J		ER0	1997 TJ
		1	J		EPO	
5						BRACKET, Hose
	5503 5933	1			EPO	Hose, 1997 TJ
		1	J		ER0	1998 TJ
		AR				Hose, 1997 TJ



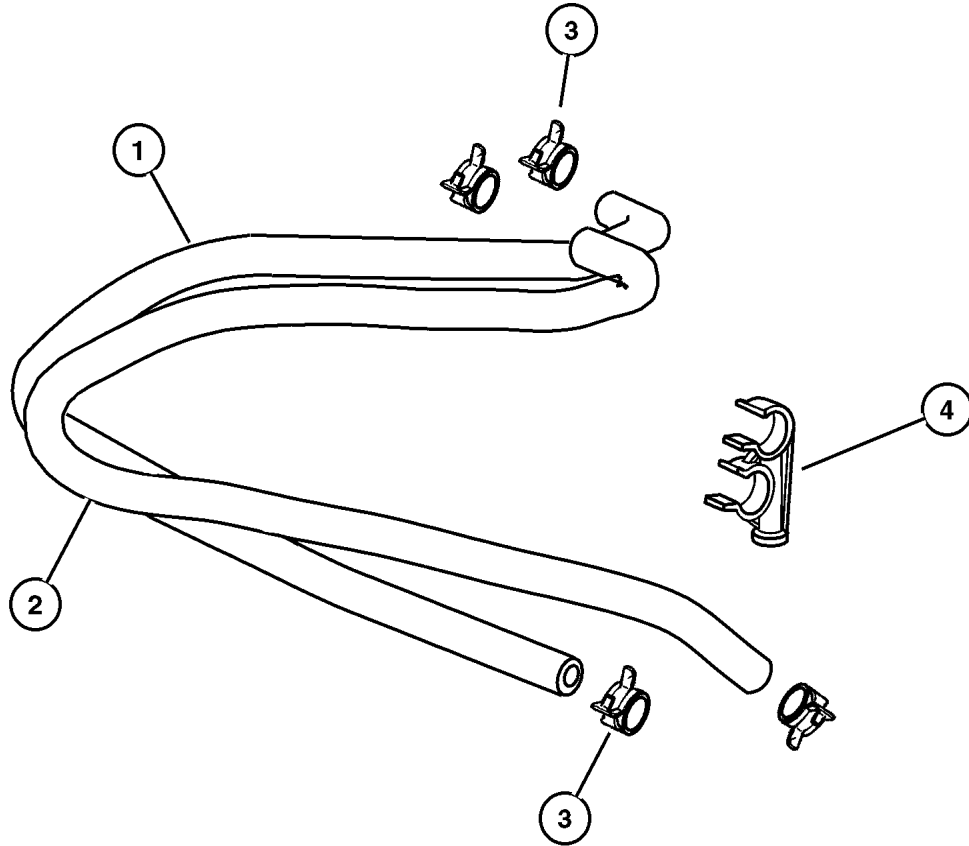
JEEP WRANGLER (TJ)				
SERIES	LINE	BODY	ENGINE	TRANSMISSION
L=Low Line	J = Wrangler 4WD U = Wrangler 4WD (RHD)	77 = 93.4 WB	EPE, EP0 = 2.5L Power Tech ERH, ER0 = 4.0L Power Tech	DGG, DGD = 32RH 3 Spd. Auto. DDQ = 5 Spd. Manual DG0 = All Auto. Trans. DBB =All Manual Trans.

AR = Use as required - = Non illustrated part # = New this model year

June 7, 2002

Hoses, Heater 4.0L Engine, LHD 1999 TJ
Figure 024-215

ITEM	PART NUMBER	QTY	LINE	BODY	ENGINE	DESCRIPTION
Note: Sales Code ER0 = 4.0L Gas Engine J=Dana 35 Rear Axle---DRK=Dana 44 Rear Axle						
1	5503 6345	1	J		ER0	HOSE, Heater Return
2	5503 6976	1	J		ER0	HOSE, Heater, Supply
3	6502 017	2	J		ER0	CLAMP, Heater Hose
4	5503 5933	2	U		EP0, ER0	BRACKET, Hose



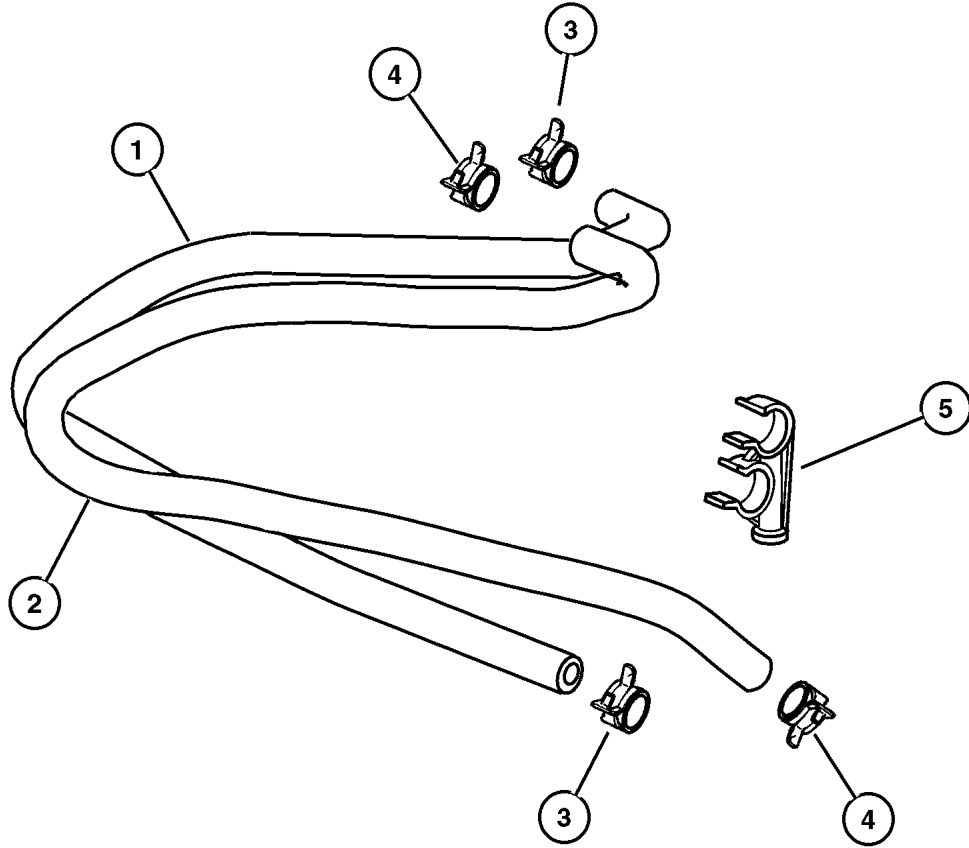
JEEP WRANGLER (TJ)

SERIES	LINE	BODY	ENGINE	TRANSMISSION
L=Low Line	J = Wrangler 4WD U = Wrangler 4WD (RHD)	77 = 93.4 WB	EPE, EP0 = 2.5L Power Tech ERH, ER0 = 4.0L Power Tech	DGG, DGD = 32RH 3 Spd. Auto. DDQ = 5 Spd. Manual DG0 = All Auto. Trans. DBB =All Manual Trans.

AR = Use as required - = Non illustrated part # = New this model year

June 7, 2002

Hoses, Heater 4.0L Engine, RHD
Figure 024-220



ITEM	PART NUMBER	QTY	LINE	BODY	ENGINE	DESCRIPTION
Note: Sales Code ER0 = 4.0L Gas Engine J=Dana 35 Rear Axle---DRK=Dana 44 Rear Axle						
1	5503 6382	1	U		ER0	HOSE, Heater Return
		1	U	77	ER0	Return
						Return, 1997 TJ
2	5503 6380	1	U		ER0	HOSE, Heater Supply
		1	U	77	ER0	Supply
						Supply, 1997 TJ
3	6502 017	2	J		ER0	CLAMP, Heater Hose
4	6502 018	2	J		EPO	CLAMP, Hose, M28.9 x 1.60
		2	J		ER0	1997 TJ
		1	J		EPO	1997 TJ, 1998 TJ
5	5503 5933	AR				BRACKET, Hose
		1			EPO	Hose, 1997 TJ
		2	U		EPO, ER0	Hose, 1997 TJ
						1998 TJ, 1999 TJ

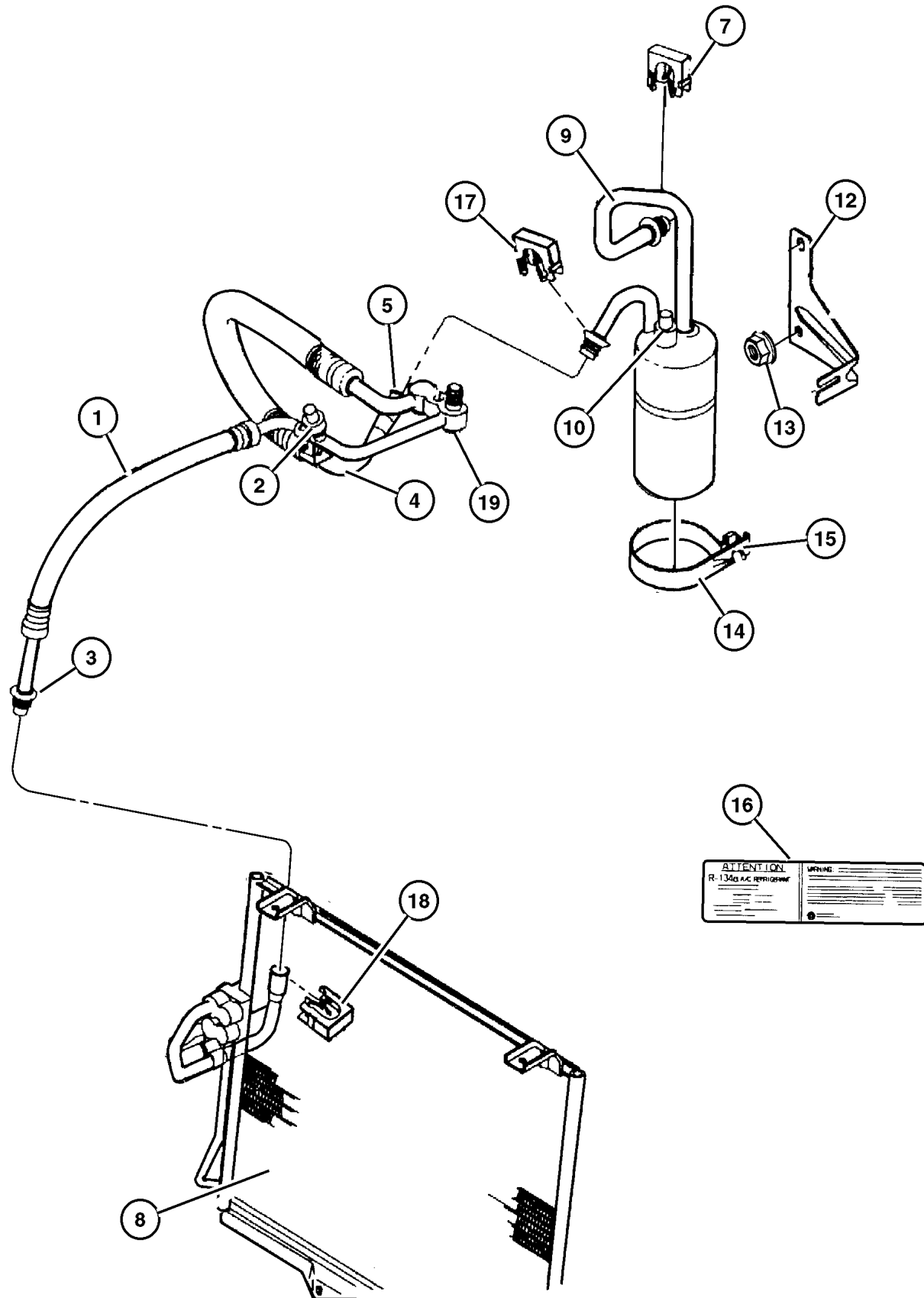
JEEP WRANGLER (TJ)

SERIES	LINE	BODY	ENGINE	TRANSMISSION
L=Low Line	J = Wrangler 4WD U = Wrangler 4WD (RHD)	77 = 93.4 WB	EPE, EP0 = 2.5L Power Tech ERH, ER0 = 4.0L Power Tech	DGG, DGD = 32RH 3 Spd. Auto. DDQ = 5 Spd. Manual DG0 = All Auto. Trans. DBB =All Manual Trans.

AR = Use as required - = Non illustrated part # = New this model year

June 7, 2002

Plumbing, Hevac 2.5L Engine 1997 TJ
Figure 024-225



ITEM	PART NUMBER	QTY	LINE	BODY	ENGINE	DESCRIPTION
Note: Sales Code EP0 = 2.5L Gas Engine J=Dana 35 Rear Axle---DRK=Dana 44 Rear Axle						
1	5503 6295	1	J	77	EP0	LINE, A/C Suction & Discharge
2	4773 190	1	J	77	ER0	SWITCH, A/C High Pressure Cut Off, High Pressure
3	4740 401	1	J	77	EP0, ER0	O RING, A/C Suction Line, Suction Line
4	5503 6291	1	J	77	EP0, ER0	LINE, A/C Liquid, Liquid
5	4741 705	1	J		EP0	O RING, A/C Liquid Line, Line
-6	4723 029	1	J		EP0	VALVE, A/C Discharge Line Check
7	5503 6022	1				CLIP, A/C Liquid Line, Liquid Line
8	5503 6366	1	J	77	EP0, ER0	CONDENSER, Air Conditioning, A/C
9	5503 6293	1	J	77	EP0, ER0	ACCUMULATOR, Suction Line
10	4856 849	1	J		EP0, ER0	SWITCH, A/C Cycling, Low Pressure
-11	4723 029	1	J		EP0	VALVE, A/C Discharge Line Check
12	5503 6303	1	J	77	EP0, ER0	BRACKET, Accumulator, Accumulator Mtg.
13						NUT, (NOT SERVICED)
14	55036 206AB	1				BAND, Accumulator Retaining, Accumulator Support
15						SCREW, (NOT SERVICED)
16	5503 6352	1				LABEL, Refrigerant, Charge
17	4596 153	2				CLIP, A/C Quick Disconnect, Quick (Suction) Connect
18	4596 152	1				CLIP, A/C Quick Disconnect, Quick (Discharge) Connect
19	4761 737	1	J		EP0	O RING, A/C Suction Line
-20	5503 6730	1	U		EP0, ER0	TUBE, A/C Liquid Line
-21	5503 6731	1	J		EP0, ER0	LINE, A/C Discharge
-22	4883 839AA	1	J		EP0, ER0	ORIFICE, Liquid Line

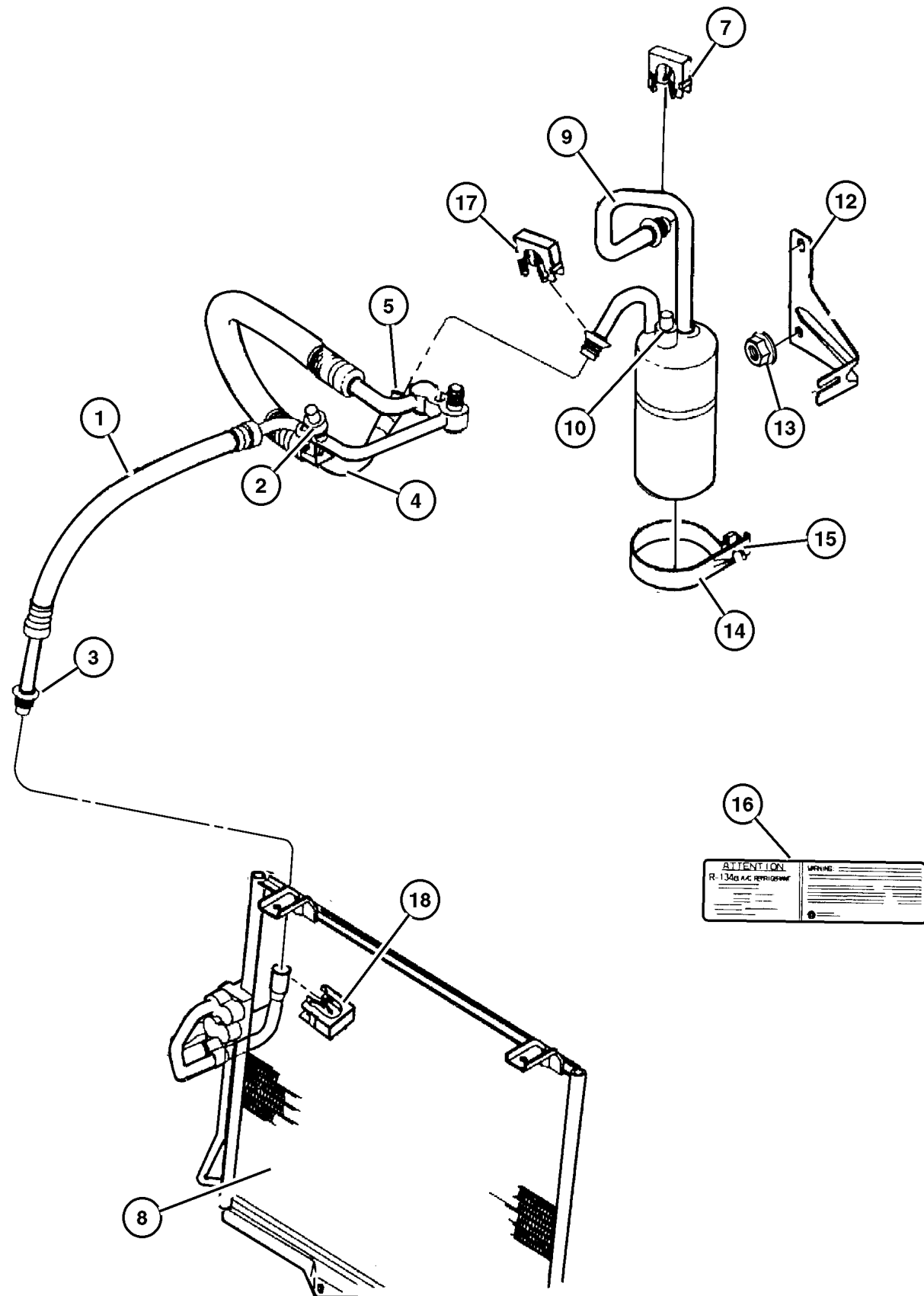
JEEP WRANGLER (TJ)

SERIES	LINE	BODY	ENGINE	TRANSMISSION
L=Low Line	J = Wrangler 4WD U = Wrangler 4WD (RHD)	77 = 93.4 WB	EPE, EP0 = 2.5L Power Tech ERH, ER0 = 4.0L Power Tech	DGG, DGD = 32RH 3 Spd. Auto. DDQ = 5 Spd. Manual DG0 = All Auto. Trans. DBB =All Manual Trans.

AR = Use as required - = Non illustrated part # = New this model year

June 7, 2002

Plumbing, Hevac 2.5L Engine 1998 TJ
Figure 024-225



ITEM	PART NUMBER	QTY	LINE	BODY	ENGINE	DESCRIPTION
Note: Sales Code EP0 = 2.5L Gas Engine J=Dana 35 Rear Axle---DRK=Dana 44 Rear Axle						
1	55036 299AB	1	J		ER0	LINE, A/C Suction & Discharge
2	4897 617AA	1	J		EP0	SWITCH, A/C High Pressure Cut Off, High Pressure
3	4740 401	1	J		EP0, ER0	O RING, A/C Suction Line, Suction Line
4	5503 6291	1	J		EP0, ER0	LINE, A/C Liquid, Liquid
5	4741 705	1	J		EP0	O RING, A/C Liquid Line
-6	4723 029	2	J		EP0	VALVE, A/C Discharge Line Check
7	5503 6022	1	J			CLIP, A/C Liquid Line
8	55036 366AB	1	J		EP0, ER0	CONDENSER, Air Conditioning
9	55036 293AB	1	J		EP0, ER0	ACCUMULATOR, Suction Line
10	4897 614AA	1	J		EP0, ER0	SWITCH, A/C Cycling
-11	4723 029	2	J		EP0	VALVE, A/C Discharge Line Check
12	5503 6303	1	J		EP0, ER0	BRACKET, Accumulator
13						NUT, (NOT SERVICED)
14	55036 206AB	1				BAND, Accumulator Retaining, Accumulator Support
15						SCREW, (NOT SERVICED)
16	5503 6352	1				LABEL, Refrigerant, Charge
17	4596 153	2				CLIP, A/C Quick Disconnect, Quick (Suction) Connect
18	4596 153	2				CLIP, A/C Quick Disconnect, Quick (Discharge) Connect
-19	4883 839AA	1	U		EP0, ER0	ORIFICE, Liquid Line

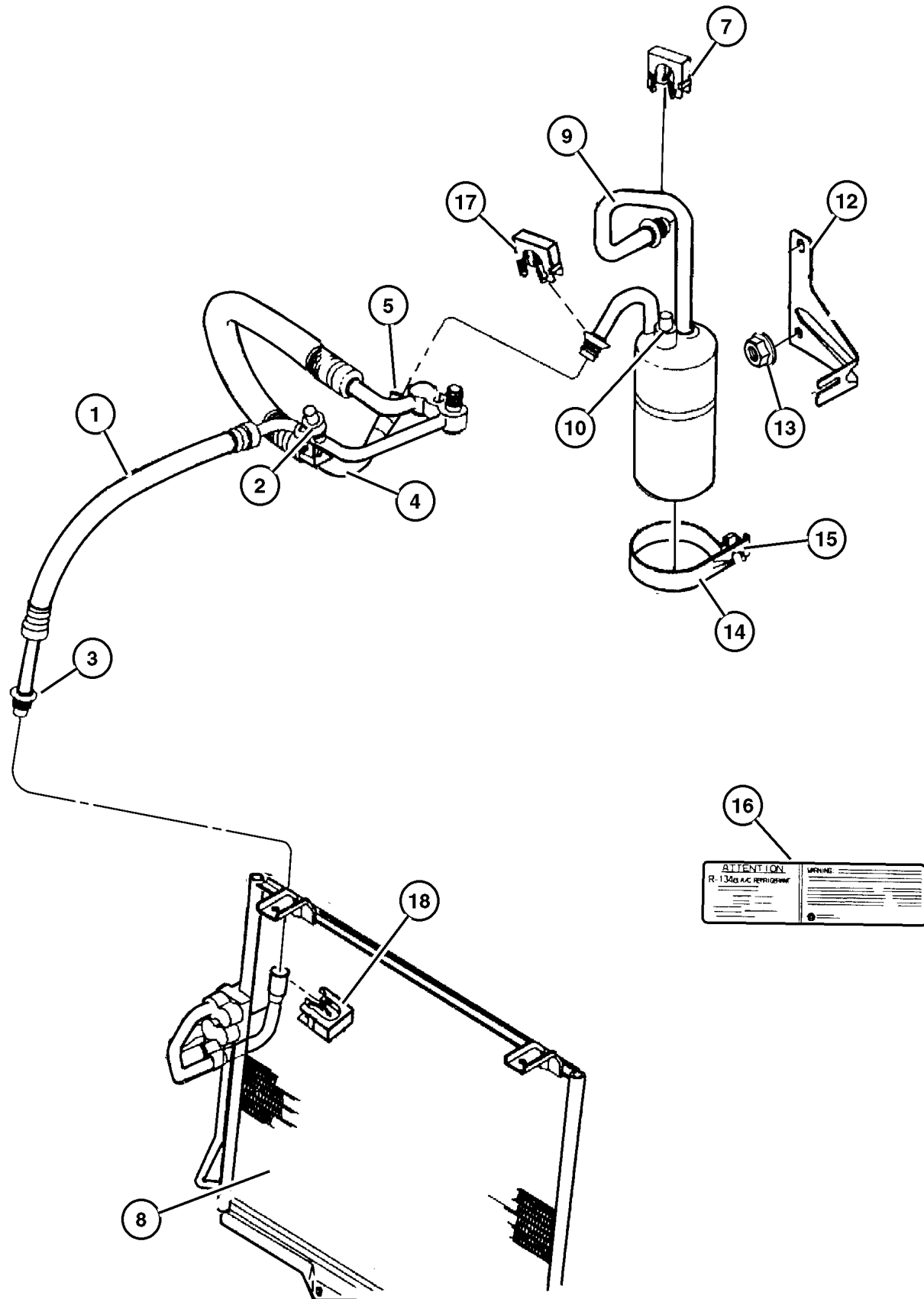
JEEP WRANGLER (TJ)

SERIES	LINE	BODY	ENGINE	TRANSMISSION
L=Low Line	J = Wrangler 4WD U = Wrangler 4WD (RHD)	77 = 93.4 WB	EPE, EP0 = 2.5L Power Tech ERH, ER0 = 4.0L Power Tech	DGG, DGD = 32RH 3 Spd. Auto. DDQ = 5 Spd. Manual DG0 = All Auto. Trans. DBB =All Manual Trans.

AR = Use as required - = Non illustrated part # = New this model year

June 7, 2002

Plumbing, Hevac 2.5L Engine 1999 TJ
Figure 024-225



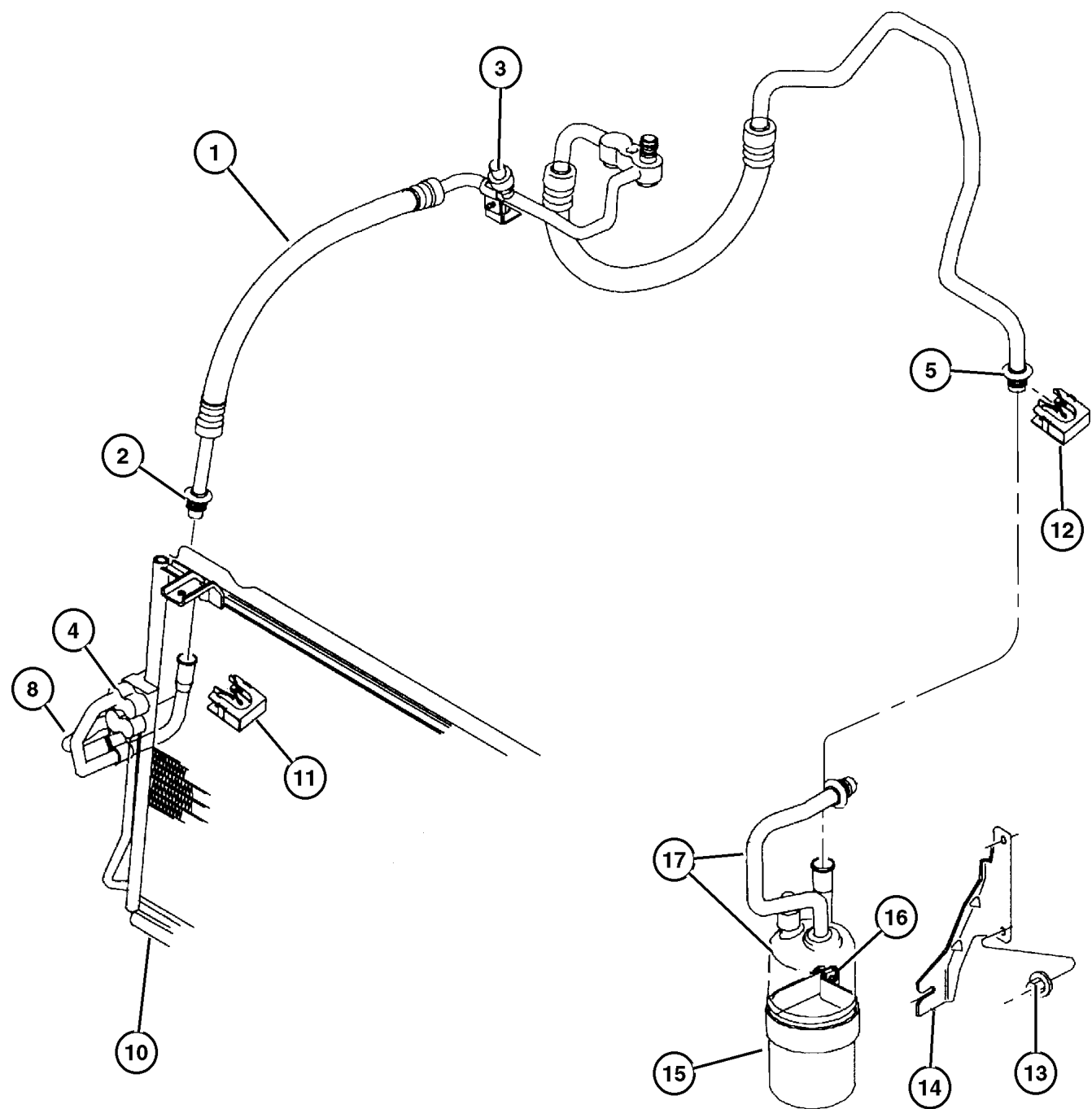
ITEM	PART NUMBER	QTY	LINE	BODY	ENGINE	DESCRIPTION
Note: Sales Code EP0 = 2.5L Gas Engine J=Dana 35 Rear Axle---DRK=Dana 44 Rear Axle						
1	#55037 435AB	1			EP0	LINE, A/C Discharge
2	4897 617AA	1	J		EP0	SWITCH, A/C High Pressure Cut Off
3	4740 401	2	J		EP0	O RING, A/C Suction Line
4	#55037 439AB	1	J		EP0,	LINE, A/C Liquid
					ER0	
5	4741 705	2	J		EP0	O RING, A/C Liquid Line
-6	4723 029	1	J		EP0	VALVE, A/C Discharge Line Check
7	5503 6022	1	J			CLIP, A/C Liquid Line
8	#55037 482AC	1	J		EP0,	CONDENSER, Air Conditioning
					ER0	
9	#55037 441AA	1	J		EP0	ACCUMULATOR, Suction Line
10	4897 614AA	1	J		EP0	SWITCH, A/C Cycling
-11	4723 029	1	J		EP0	VALVE, A/C Discharge Line Check
12	5503 6303	1	J		EP0,	BRACKET, Accumulator
					ER0	
13						NUT, (NOT SERVICED)
14	55036 206AB	1				BAND, Accumulator Retaining, Accumulator Support
15						SCREW, (NOT SERVICED)
16	5503 6352	1				LABEL, Refrigerant, Charge
17						CLIP, A/C Quick Disconnect
	4596 152	3	J			Quick (Suction) Connect
	4596 153	2				CLIP, A/C Quick Disconnect, (Discharge) Connect
18	4596 153	2				

JEEP WRANGLER (TJ)				
SERIES	LINE	BODY	ENGINE	TRANSMISSION
L=Low Line	J = Wrangler 4WD U = Wrangler 4WD (RHD)	77 = 93.4 WB	EPE, EP0 = 2.5L Power Tech ERH, ER0 = 4.0L Power Tech	DGG, DGD = 32RH 3 Spd. Auto. DDQ = 5 Spd. Manual DG0 = All Auto. Trans. DBB =All Manual Trans.

AR = Use as required - = Non illustrated part # = New this model year

June 7, 2002

Plumbing, Hevac 2.5L Engine, Rhd 1997 TJ
Figure 024-230

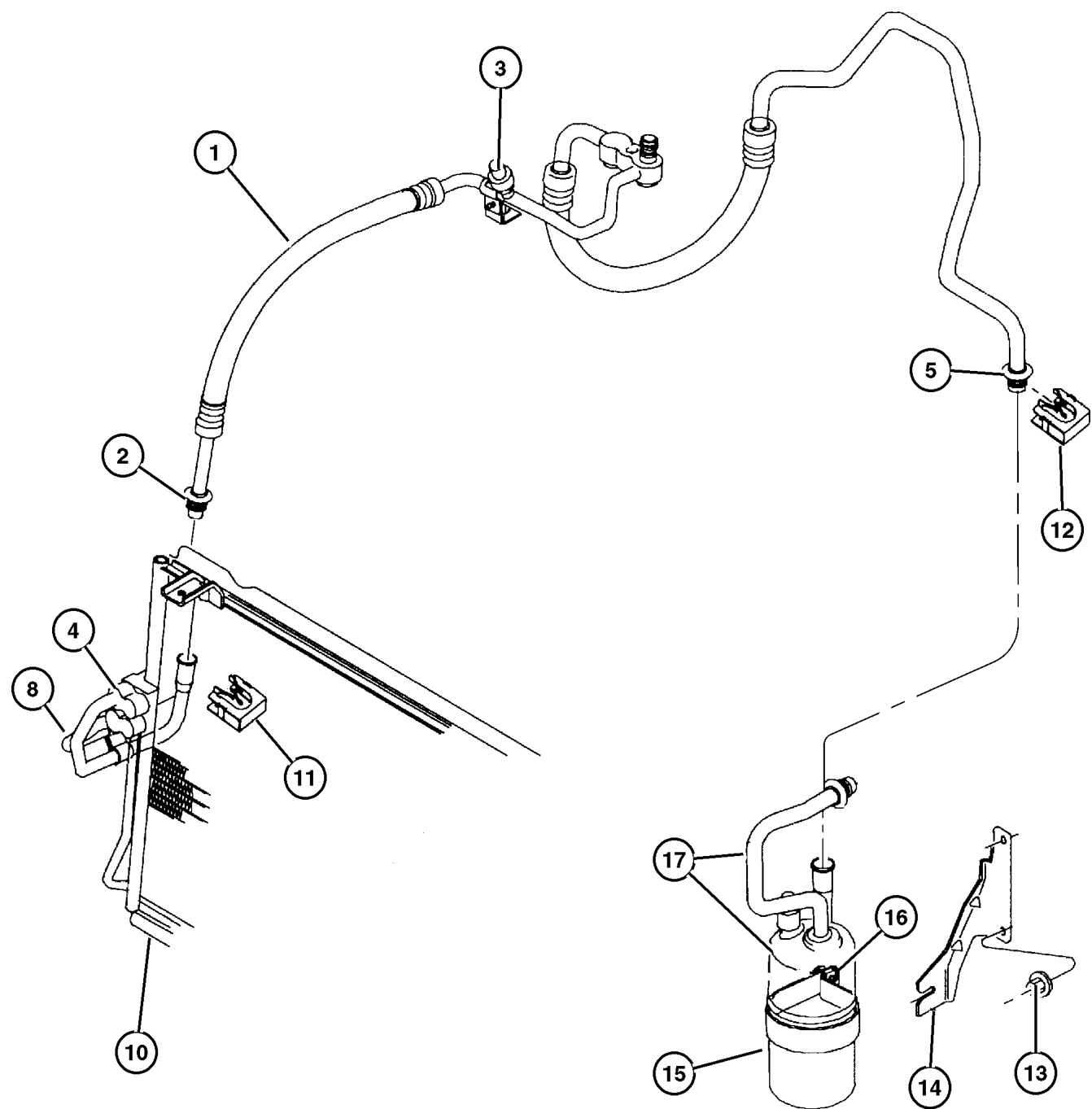


ITEM	PART NUMBER	QTY	LINE	BODY	ENGINE	DESCRIPTION
Note: Sales Code EP0 = 2.5L Gas Engine J=Dana 35 Rear Axle---DRK=Dana 44 Rear Axle						
1	5503 6298	1	U	77	EP0	LINE, A/C Suction & Discharge
2	4740 401	1	U		EP0, ERO	O RING, A/C Suction Line, Suction Line
3	4773 190	1	U		EP0	SWITCH, A/C High Pressure Cut Off, High Pressure
4	5503 6292	1	U	77	EP0, ERO	LINE, A/C Liquid, Liquid
5	4741 705	1	U		EP0	O RING, A/C Liquid Line, Discharge Line
-6	55036 782AB	2	U		EP0, ERO	RETAINER, A/C Supply Line, Supply Line
-7	5503 6022	2	U			CLIP, A/C Liquid Line, Liquid Line
8	5503 6819	1	U	77	EP0, ERO	TUBE, A/C Liquid Line, Liquid at Condenser
-9	4796 977	1	U		EP0, ERO	VALVE, A/C Discharge Line Check, Low Pressure Port
10	5503 6367	1	U	77	EP0, ERO	CONDENSER, Air Conditioning
11	4596 152	1				CLIP, A/C Quick Disconnect, Quick (Discharge) Connect
12	4596 153	1				CLIP, A/C Quick Disconnect, Quick (Suction) Connect
13						NUT, (NOT SERVICED)
14	5503 6304	1	U	77		BRACKET, Accumulator, Accumulator Mtg.
15	55036 206AB	1				BAND, Accumulator Retaining, Accumulator Support
16						SCREW, (NOT SERVICED)
17	5503 6294	1	U	77	EP0, ERO	ACCUMULATOR, Suction Line

JEEP WRANGLER (TJ)

SERIES	LINE	BODY	ENGINE	TRANSMISSION
L=Low Line	J = Wrangler 4WD U = Wrangler 4WD (RHD)	77 = 93.4 WB	EPE, EP0 = 2.5L Power Tech ERH, ER0 = 4.0L Power Tech	DGG, DGD = 32RH 3 Spd. Auto. DDQ = 5 Spd. Manual DG0 = All Auto. Trans. DBB =All Manual Trans.

Plumbing, Hevac 2.5L Engine, Rhd 1998 TJ
Figure 024-230



ITEM	PART NUMBER	QTY	LINE	BODY	ENGINE	DESCRIPTION
Note: Sales Code EP0 = 2.5L Gas Engine J=Dana 35 Rear Axle---DRK=Dana 44 Rear Axle						
1	55036 298AB	1	U		EP0	LINE, A/C Suction & Discharge
2	4740 401	1	U		EP0, ER0	O RING, A/C Suction Line
3	4897 617AA	1	U		EP0	SWITCH, A/C High Pressure Cut Off
4	5503 6292	1	U		EP0, ER0	LINE, A/C Liquid
5	4741 705	1	U		EP0	O RING, A/C Liquid Line
-6	55036 782AB	2	U		EP0, ER0	RETAINER, A/C Supply Line
-7	5503 6022	2	U			CLIP, A/C Liquid Line
8	55036 819AB	1	U		EP0, ER0	TUBE, A/C Liquid Line
-9	4796 977	1	U		EP0, ER0	VALVE, A/C Discharge Line Check, Low Pressure Port
10	5503 6367	1	U		EP0, ER0	CONDENSER, Air Conditioning
11	4596 152	4	U			CLIP, A/C Quick Disconnect
12	4596 153	2				CLIP, A/C Quick Disconnect
13						NUT, (NOT SERVICED)
14	5503 6304	1	U			BRACKET, Accumulator
15	55036 206AB	1				BAND, Accumulator Retaining, Support
16						SCREW, (NOT SERVICED)
17	55036 294AB	1	U		EP0, ER0	ACCUMULATOR, Suction Line

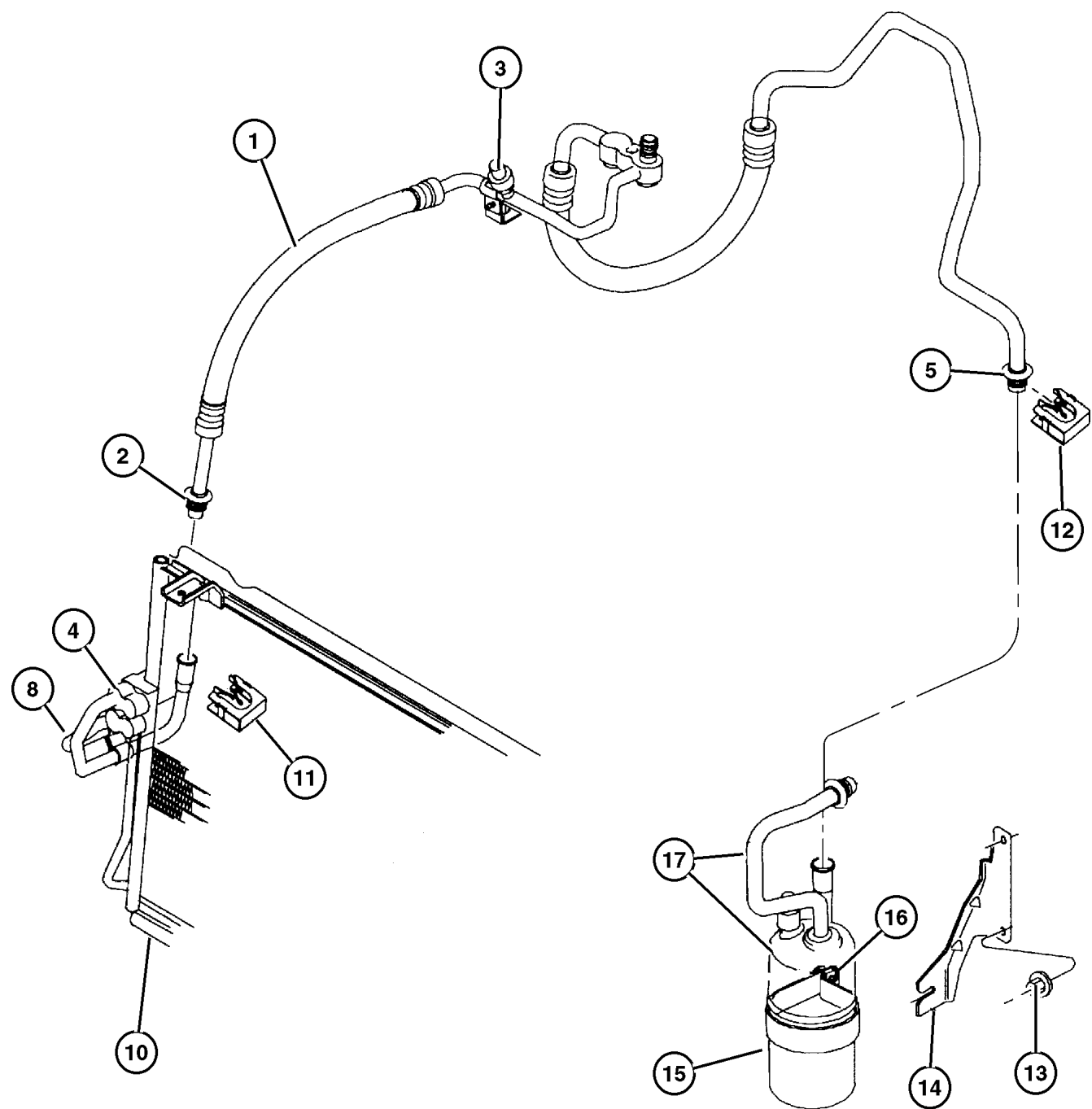
JEEP WRANGLER (TJ)

SERIES	LINE	BODY	ENGINE	TRANSMISSION
L=Low Line	J = Wrangler 4WD U = Wrangler 4WD (RHD)	77 = 93.4 WB	EPE, EP0 = 2.5L Power Tech ERH, ER0 = 4.0L Power Tech	DGG, DGD = 32RH 3 Spd. Auto. DDQ = 5 Spd. Manual DG0 = All Auto. Trans. DBB =All Manual Trans.

AR = Use as required - = Non illustrated part # = New this model year

June 7, 2002

Plumbing, Hevac 2.5L Engine, Rhd 1999 TJ
Figure 024-230



ITEM	PART NUMBER	QTY	LINE	BODY	ENGINE	DESCRIPTION
Note: Sales Code EP0 = 2.5L Gas Engine J=Dana 35 Rear Axle---DRK=Dana 44 Rear Axle						
1	#55037 435AB	1			EP0	LINE, A/C Discharge
2	4740 401	2	U		EP0, ER0	O RING, A/C Suction Line
3	4897 617AA	1			EP0	SWITCH, A/C High Pressure Cut Off
4	5503 6292	1	U		EP0, ER0	LINE, A/C Liquid
5	4741 705	2			EP0	O RING, A/C Liquid Line
-6	55036 782AB	2	U		EP0, ER0	RETAINER, A/C Supply Line, Supply Line
-7	5503 6022	2	U			CLIP, A/C Liquid Line, Liquid Line
8	#55037 502AB	1	U		EP0, ER0	TUBE, A/C Liquid Line
-9	4723 029	1			EP0	VALVE, A/C Discharge Line Check
10	#55037 483AC	1	U		EP0, ER0	CONDENSER, Air Conditioning
11	4596 152	4	U			CLIP, A/C Quick Disconnect
12	4596 153	2				CLIP, A/C Quick Disconnect
13						NUT, (NOT SERVICED)
14	5503 6304	1	U			BRACKET, Accumulator
15	55036 206AB	1				BAND, Accumulator Retaining, Accumulator Support
16						SCREW, (NOT SERVICED)
17	#55037 442AA	1	U		EP0, ER0	ACCUMULATOR, Suction Line

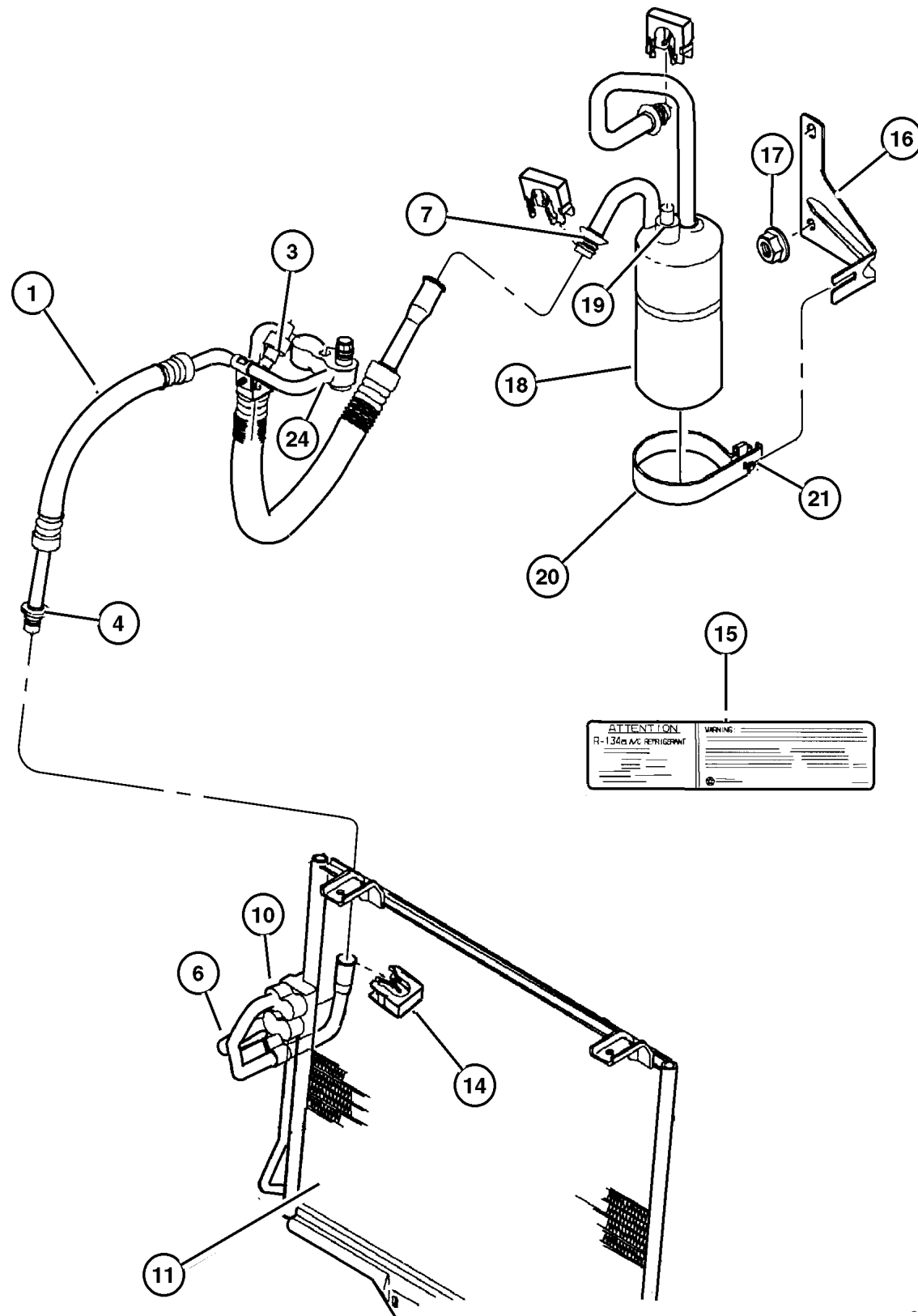
JEEP WRANGLER (TJ)

SERIES	LINE	BODY	ENGINE	TRANSMISSION
L=Low Line	J = Wrangler 4WD U = Wrangler 4WD (RHD)	77 = 93.4 WB	EPE, EP0 = 2.5L Power Tech ERH, ER0 = 4.0L Power Tech	DGG, DGD = 32RH 3 Spd. Auto. DDQ = 5 Spd. Manual DG0 = All Auto. Trans. DBB =All Manual Trans.

AR = Use as required - = Non illustrated part # = New this model year

June 7, 2002

Plumbing, Hevac 4.0L Engine 1997 TJ
Figure 024-235



ITEM	PART NUMBER	QTY	LINE	BODY	ENGINE	DESCRIPTION
Note: Sales Code ER0 = 4.0L Gas Engine J=Dana 35 Rear Axle---DRK=Dana 44 Rear Axle						
1	5503 6299	1	J	77	ER0	LINE, A/C Suction & Discharge
-2	5264 642	1	J	77	ER0	CAP, A/C Check Valve
3	4773 190	1	J		ER0	SWITCH, A/C High Pressure Cut Off
4	4740 401	1	J		EP0, ER0	O RING, A/C Suction Line
-5	4596 153	1				CLIP, A/C Quick Disconnect, Quick (Suction) Connect
6	5503 6291	1	J	77	EP0, ER0	LINE, A/C Liquid
7	4741 705	1	J		ER0	O RING, A/C Liquid Line, Discharge Line
-8	4723 029	1	J	77	EP0, ER0	VALVE, A/C Discharge Line Check
-9	5503 6732	1	J		EP0, ER0	TUBE, A/C Liquid Line
10	5503 6022	1				CLIP, A/C Liquid Line
11	5503 6366	1	J	77	EP0, ER0	CONDENSER, Air Conditioning, A/C
-12	J400 3120	4				WELL NUT, .25-20x.63
-13	J400 6906	4				BOLT, Hex Head, .25-20x.75
14	4596 152	1				CLIP, A/C Quick Disconnect, Quick (Discharge) Connect
15	5503 6352	1				LABEL, Refrigerant, Charge
16	5503 6303	1	J	77	EP0, ER0	BRACKET, Accumulator, Mtg.
17						NUT, (NOT SERVICED)
18	5503 6293	1	J	77	EP0, ER0	ACCUMULATOR, Suction Line
19	4856 849	1	J		EP0, ER0	SWITCH, A/C Cycling
20	55036 206AB	1				BAND, Accumulator Retaining, Support
21						SCREW, (NOT SERVICED)
-22	5264 642	1	J		ER0	CAP, A/C Check Valve
-23	4883 839AA	1	J		EP0, ER0	ORIFICE, Liquid Line
24	4761 737	1	J		ER0	O RING, A/C Suction Line

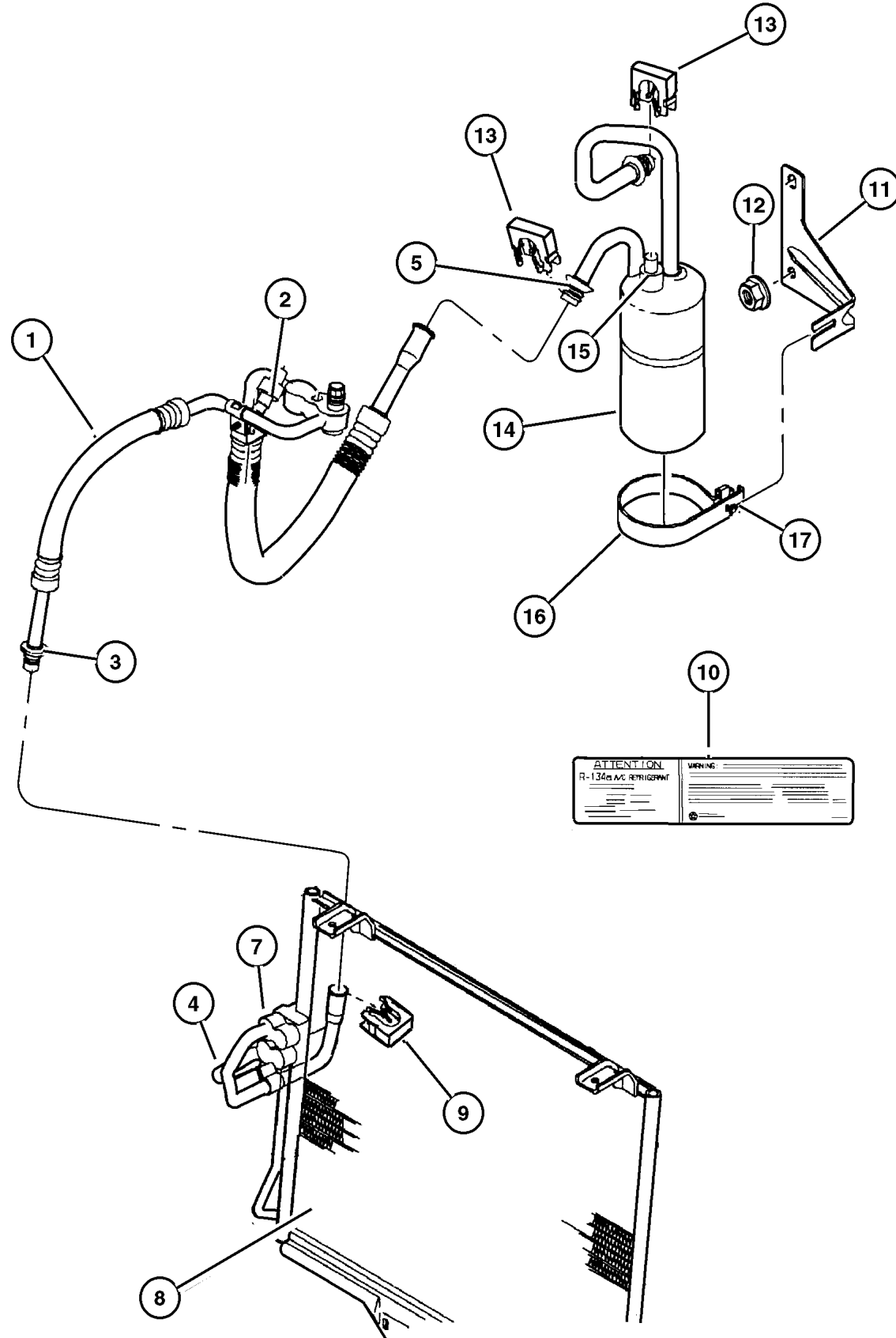
JEEP WRANGLER (TJ)

SERIES	LINE	BODY	ENGINE	TRANSMISSION
L=Low Line	J = Wrangler 4WD U = Wrangler 4WD (RHD)	77 = 93.4 WB	EPE, EP0 = 2.5L Power Tech ERH, ER0 = 4.0L Power Tech	DGG, DGD = 32RH 3 Spd. Auto. DDQ = 5 Spd. Manual DGO = All Auto. Trans. DBB =All Manual Trans.

AR = Use as required - = Non illustrated part # = New this model year

June 7, 2002

Plumbing, Hevac 4.0L Engine 1998 TJ
Figure 024-235



ITEM	PART NUMBER	QTY	LINE	BODY	ENGINE	DESCRIPTION
Note: Sales Code ER0 = 4.0L Gas Engine J=Dana 35 Rear Axle---DRK=Dana 44 Rear Axle						
1	55036 299AB	1	J		ER0	LINE, A/C Suction & Discharge
2	4897 617AA	1	J		ER0	SWITCH, A/C High Pressure Cut Off
3	4740 401	1	J		EP0, ER0	O RING, A/C Suction Line
4	5503 6291	1	J		EP0, ER0	LINE, A/C Liquid
5	4741 705	1	J		ER0	O RING, A/C Liquid Line
-6	4723 029	2	J		ER0	VALVE, A/C Discharge Line Check
7	5503 6022	1	J			CLIP, A/C Liquid Line
8	55036 366AB	1	J		EP0, ER0	CONDENSER, Air Conditioning
9	4596 152	3	J			CLIP, A/C Quick Disconnect
10	5503 6352	1				LABEL, Refrigerant, Charge
11	5503 6303	1	J		EP0, ER0	BRACKET, Accumulator
12						NUT, (NOT SERVICED)
13	4596 153	2				CLIP, A/C Quick Disconnect
14	55036 293AB	1	J		EP0, ER0	ACCUMULATOR, Suction Line
15	4897 614AA	1	J		EP0, ER0	SWITCH, A/C Cycling
16	55036 206AB	1				BAND, Accumulator Retaining, Support
17						SCREW, (NOT SERVICED)

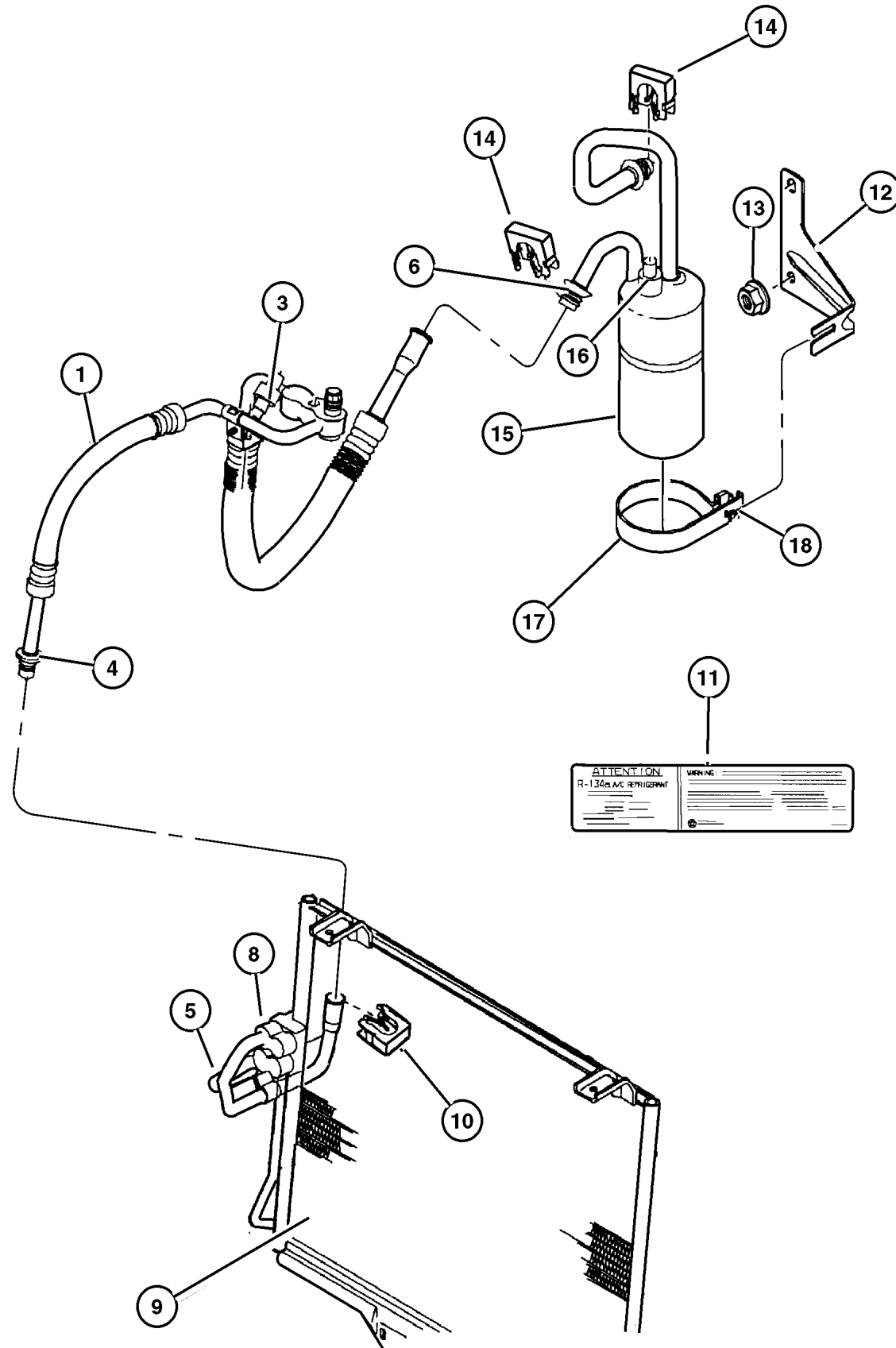
JEEP WRANGLER (TJ)

SERIES	LINE	BODY	ENGINE	TRANSMISSION
L=Low Line	J = Wrangler 4WD U = Wrangler 4WD (RHD)	77 = 93.4 WB	EPE, EP0 = 2.5L Power Tech ERH, ER0 = 4.0L Power Tech	DGG, DGD = 32RH 3 Spd. Auto. DDQ = 5 Spd. Manual DGO = All Auto. Trans. DBB =All Manual Trans.

AR = Use as required - = Non illustrated part # = New this model year

June 7, 2002

Plumbing, Hevac 4.0L Engine 1999 TJ
Figure 024-235



ITEM	PART NUMBER	QTY	LINE	BODY	ENGINE	DESCRIPTION
Note: Sales Code ER0 = 4.0L Gas Engine J=Dana 35 Rear Axle---DRK=Dana 44 Rear Axle						
1	#55037 437AB	1			ER0	LINE, A/C Discharge
-2	4796 666	1	J		ER0	O RING, A/C Discharge Line
3	4897 617AA	1	J		ER0	SWITCH, A/C High Pressure Cut Off
4						O RING, A/C Suction Line
	4740 401	2	J		ER0	
	4796 667	2	U		ER0	To Compressor
		3	J		ER0	To Compressor
5	#55037 439AA	1	J		EPO,	LINE, A/C Liquid
					ER0	
6	4741 705	2	J		ER0	O RING, A/C Liquid Line
-7	4723 029	1			ER0	VALVE, A/C Discharge Line Check
8	5503 6022	1	J			CLIP, A/C Liquid Line
9	#55037 482AC	1	J		EPO, ER0	CONDENSER, Air Conditioning
10	4596 152	3	J			CLIP, A/C Quick Disconnect
11	5503 6352	1				LABEL, Refrigerant, Charge
12	5503 6303	1	J		EPO, ER0	BRACKET, Accumulator
13						NUT, (NOT SERVICED)
14	4596 152	3	J			CLIP, A/C Quick Disconnect
15	#55037 440AA	1	J		ER0	ACCUMULATOR, Suction Line
16	4897 614AA	1	J		ER0	SWITCH, A/C Cycling
17	55036 206AB	1				BAND, Accumulator Retaining, Accumulator Support
18						SCREW, (NOT SERVICED)

JEEP WRANGLER (TJ)

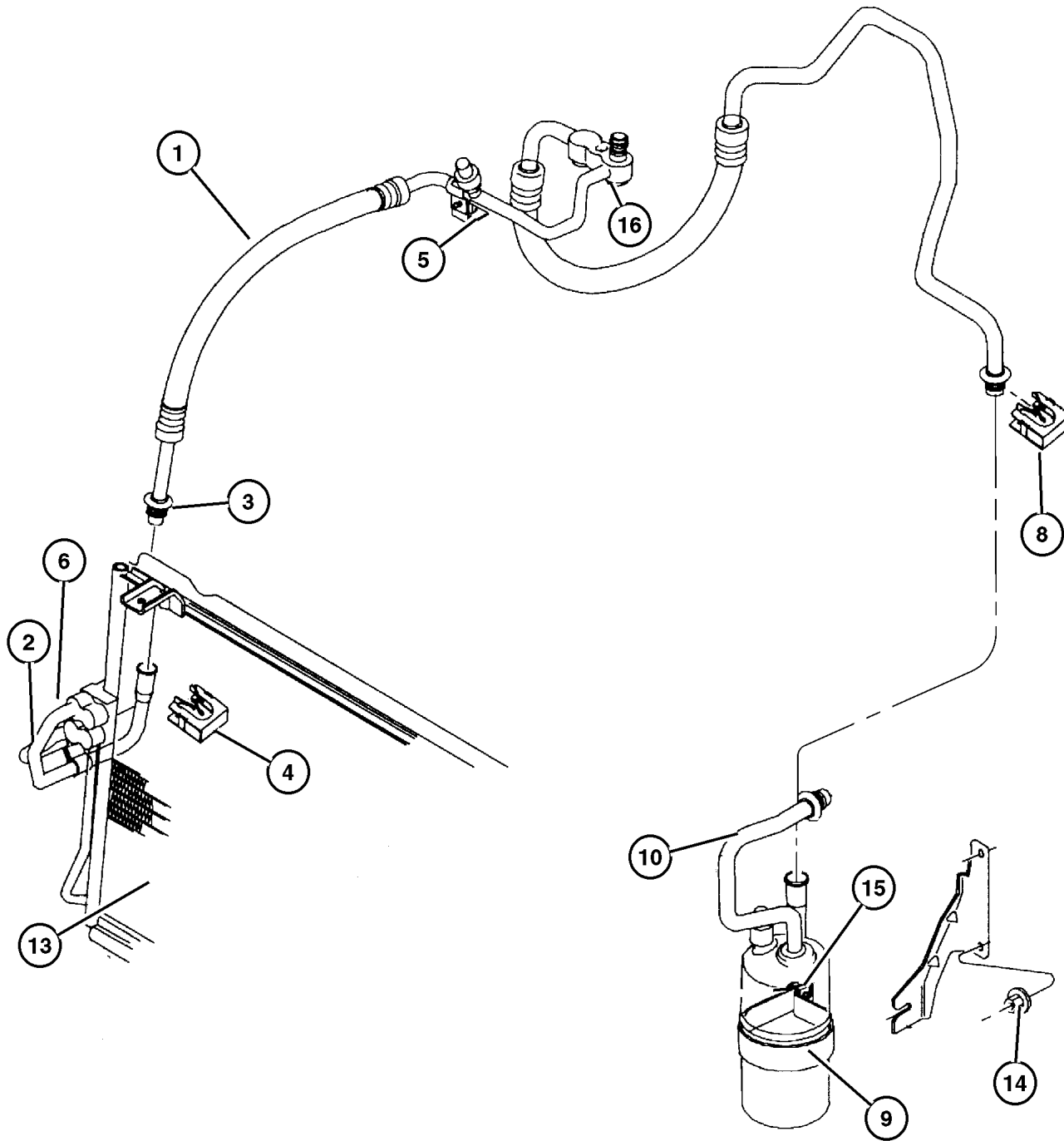
SERIES	LINE	BODY	ENGINE	TRANSMISSION
L=Low Line	J = Wrangler 4WD U = Wrangler 4WD (RHD)	77 = 93.4 WB	EPE, EP0 = 2.5L Power Tech ERH, ER0 = 4.0L Power Tech	DGG, DGD = 32RH 3 Spd. Auto. DDQ = 5 Spd. Manual DGO = All Auto. Trans. DBB =All Manual Trans.

AR = Use as required - = Non illustrated part # = New this model year

June 7, 2002

Plumbing, Hevac 4.0L Engine, Rhd 1997 TJ
Figure 024-240

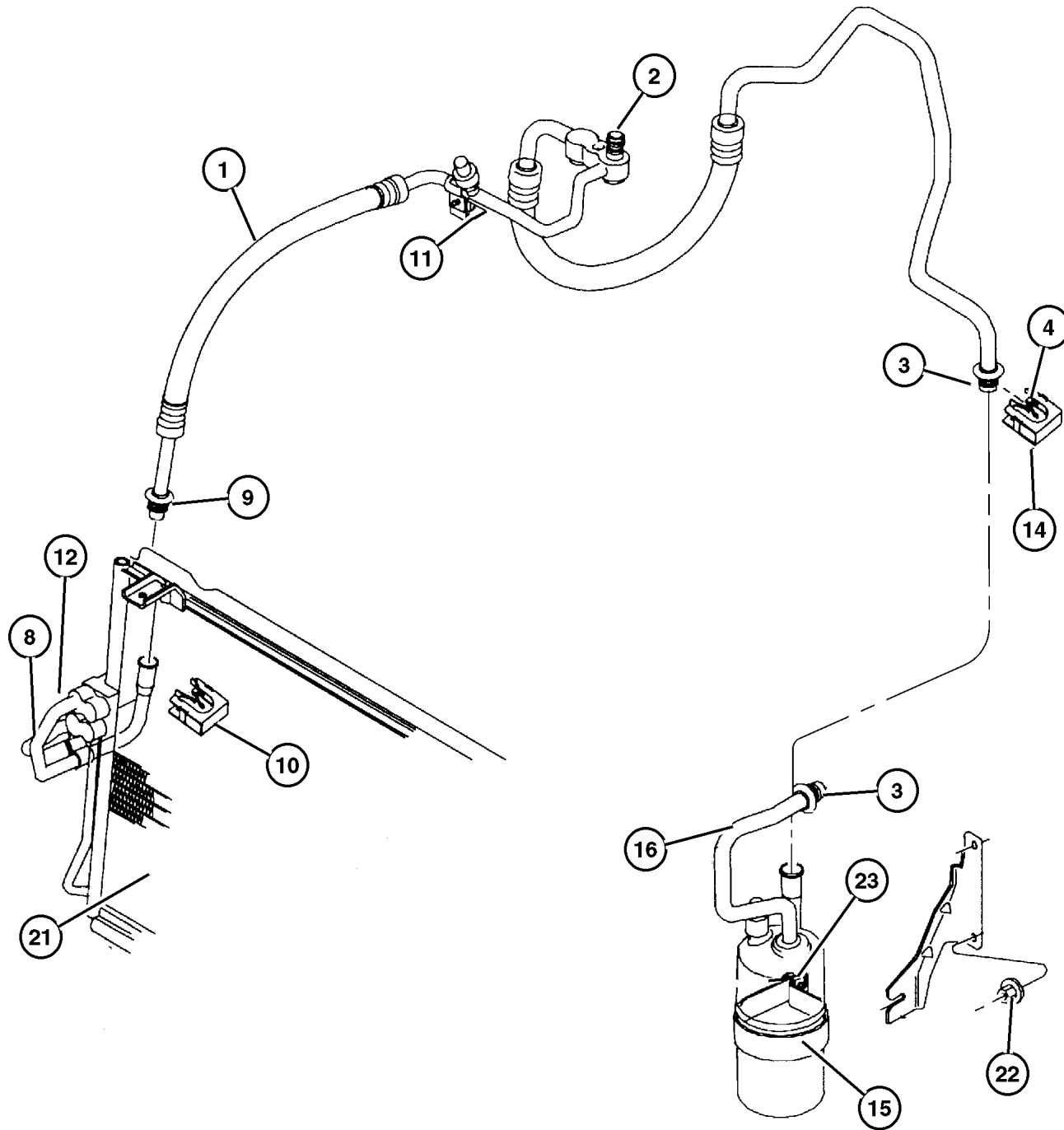
ITEM	PART NUMBER	QTY	LINE	BODY	ENGINE	DESCRIPTION
Note: Sales Code ER0 = 4.0L Gas Engine J=Dana 35 Rear Axle---DRK=Dana 44 Rear Axle						
1	5503 6301	1	U	77	ER0	LINE, A/C Suction & Discharge
2	5503 6292	1	U	77	EP0, ER0	LINE, A/C Liquid, Liquid
3	4741 705	1	U		ER0	O RING, A/C Liquid Line, Liquid Line
4	5503 6022	2	U			CLIP, A/C Liquid Line, Line
5	55036 782AB	2	U		EP0, ER0	RETAINER, A/C Supply Line, Supply Line
6	5503 6819	1	U	77	EP0, ER0	TUBE, A/C Liquid Line, Liquid at Condenser
-7	4596 153	1				CLIP, A/C Quick Disconnect, Quick (Suction) Connect
8	5503 6304	1	U	77		BRACKET, Accumulator, Accumulator Mtg.
9	55036 206AB	1				BAND, Accumulator Retaining, Accumulator Support
10	5503 6294	1	U	77	EP0, ER0	ACCUMULATOR, Suction Line
-11	4796 977	1	U		EP0, ER0	VALVE, A/C Discharge Line Check
-12	4596 152	4	U			CLIP, A/C Quick Disconnect
13	5503 6367	1	U		EP0, ER0	CONDENSER, Air Conditioning
14						NUT, (NOT SERVICED)
15						SCREW, (NOT SERVICED)
16	4761 737	1	U		ER0	O RING, A/C Suction Line



JEEP WRANGLER (TJ)
 SERIES LINE BODY ENGINE TRANSMISSION
 L=Low Line J = Wrangler 4WD 77 = 93.4 WB EPE, EP0 = 2.5L Power Tech DGG, DGD = 32RH 3 Spd. Auto.
 U = Wrangler 4WD (RHD) ERH, ER0 = 4.0L Power Tech DDQ = 5 Spd. Manual
 DG0 = All Auto. Trans.
 DBB =All Manual Trans.

Plumbing, Hevac 4.0L Engine, Rhd 1998 TJ
Figure 024-240

ITEM	PART NUMBER	QTY	LINE	BODY	ENGINE	DESCRIPTION
Note: Sales Code ER0 = 4.0L Gas Engine J=Dana 35 Rear Axle---DRK=Dana 44 Rear Axle						
1	55036 301AB	1	U		ER0	LINE, A/C Suction & Discharge
2	4897 617AA	1	U		EP0	SWITCH, A/C High Pressure Cut Off
3						O RING, A/C Discharge Line, 04796565, (NOT SERVICED)
4	4728 856	1	U		ER0	SPRING, Quick Disconnect
-5	4723 029	1	U		EP0, ER0	VALVE, A/C Discharge Line Check
-6	4882 139	1	U		EP0	O RING, High Pressure
-7	4741 705	1	U		ER0	O RING, A/C Liquid Line
8	5503 6292	1	U		EP0, ER0	LINE, A/C Liquid
9	4741 705	1	U		ER0	O RING, A/C Liquid Line
10	5503 6022	2	U			CLIP, A/C Liquid Line
11	55036 782AB	2	U		EP0, ER0	RETAINER, A/C Supply Line
12	55036 819AB	1	U		EP0, ER0	TUBE, A/C Liquid Line
-13	4596 153	2				CLIP, A/C Quick Disconnect
14	5503 6304	1	U			BRACKET, Accumulator
15	55036 206AB	1				BAND, Accumulator Retaining, Support
16	55036 294AB	1	U		EP0, ER0	ACCUMULATOR, Suction Line
-17	4740 401	2	U		EP0, ER0	O RING, A/C Suction Line
-18	4723 399	1	U		ER0	SPRING, Suction Line Coupling
-19	4723 029	1	U		EP0, ER0	VALVE, A/C Discharge Line Check
-20	4596 152	4	U			CLIP, A/C Quick Disconnect
21	55036 367AB	1	U		EP0, ER0	CONDENSER, Air Conditioning
22						NUT, (NOT SERVICED)
23						SCREW, (NOT SERVICED)



JEEP WRANGLER (TJ)

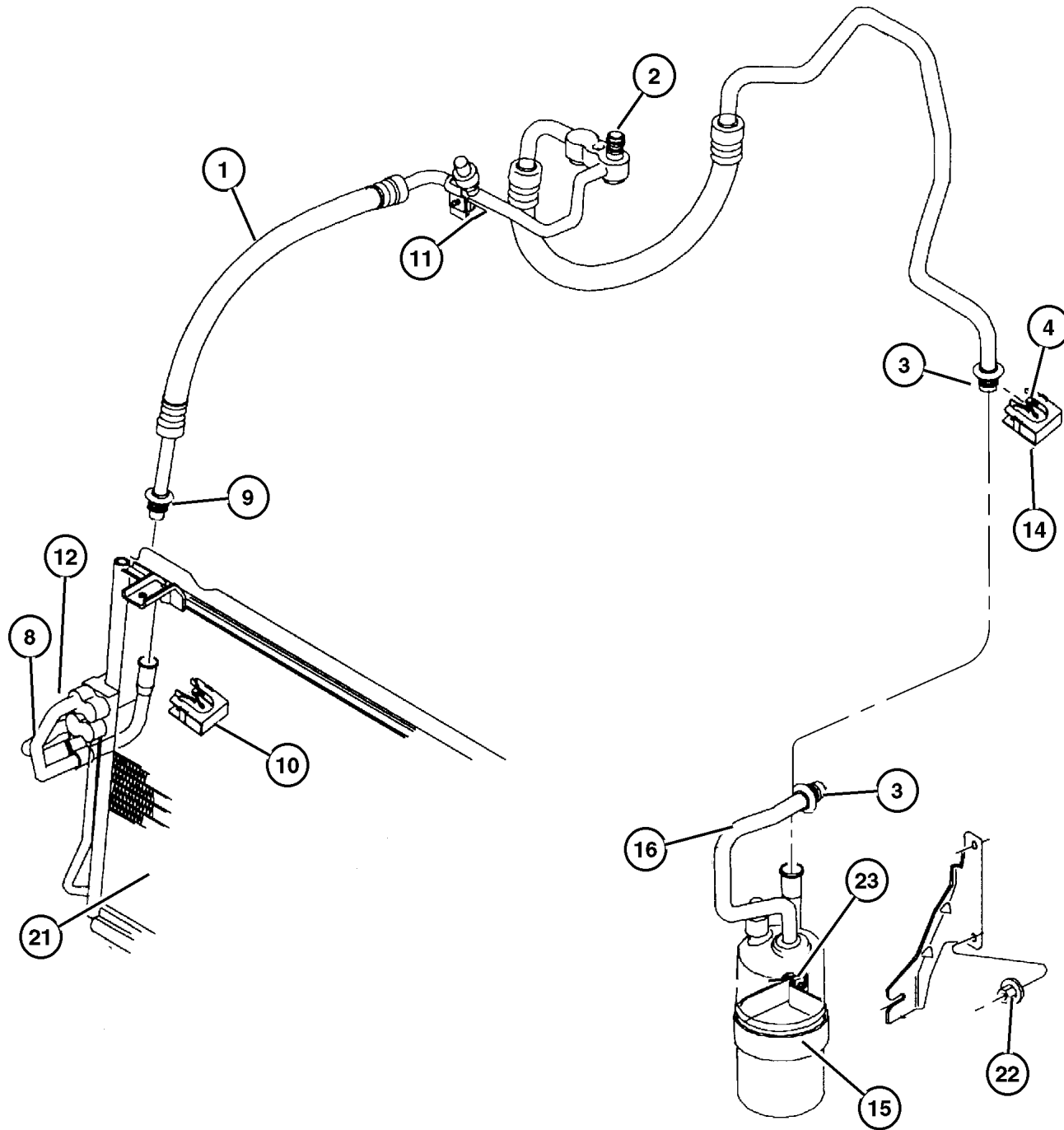
SERIES	LINE	BODY	ENGINE	TRANSMISSION
L=Low Line	J = Wrangler 4WD U = Wrangler 4WD (RHD)	77 = 93.4 WB	EPE, EP0 = 2.5L Power Tech ERH, ER0 = 4.0L Power Tech	DGG, DGD = 32RH 3 Spd. Auto. DDQ = 5 Spd. Manual DG0 = All Auto. Trans. DBB =All Manual Trans.

AR = Use as required - = Non illustrated part # = New this model year

June 7, 2002

Plumbing, Hevac 4.0L Engine, Rhd 1999 TJ
Figure 024-240

ITEM	PART NUMBER	QTY	LINE	BODY	ENGINE	DESCRIPTION
Note: Sales Code ER0 = 4.0L Gas Engine J=Dana 35 Rear Axle---DRK=Dana 44 Rear Axle						
1	#55037 437AB	1			ER0	LINE, A/C Discharge
2	4897 617AA	1			ER0	SWITCH, A/C High Pressure Cut Off
3	4796 565	1			ER0	O RING, A/C Discharge Line
4	4728 856	1	J		ER0	SPRING, Quick Disconnect
-5	4723 029	1			ER0	VALVE, A/C Discharge Line Check
-6	4882 139	1			ER0	O RING, High Pressure
-7	4741 705	2			ER0	O RING, A/C Liquid Line
8	5503 6292	1	U		EP0,	LINE, A/C Liquid
					ER0	
9	4741 705	2			ER0	O RING, A/C Liquid Line
10	5503 6022	2	U			CLIP, A/C Liquid Line
11	55036 782AB	2	U		EP0,	RETAINER, A/C Supply Line
					ER0	
12	#55037 502AB	1	U		EP0,	TUBE, A/C Liquid Line
					ER0	
-13	4596 153	2				CLIP, A/C Quick Disconnect
14	5503 6304	1	U			BRACKET, Accumulator
15	55036 206AB	1				BAND, Accumulator Retaining, Support
16	#55037 442AA	1	U		EP0,	ACCUMULATOR, Suction Line
					ER0	
-17	4740 401	2	U		EP0,	O RING, A/C Suction Line
					ER0	
-18	4723 399	1	U		EP0,	SPRING, Suction Line Coupling
					ER0	
-19	4723 029	1			ER0	VALVE, A/C Discharge Line Check
-20	4596 152	4	U			CLIP, A/C Quick Disconnect
21	#55037 483AC	1	U		EP0,	CONDENSER, Air Conditioning
					ER0	
22						NUT, (NOT SERVICED)
23						SCREW, (NOT SERVICED)



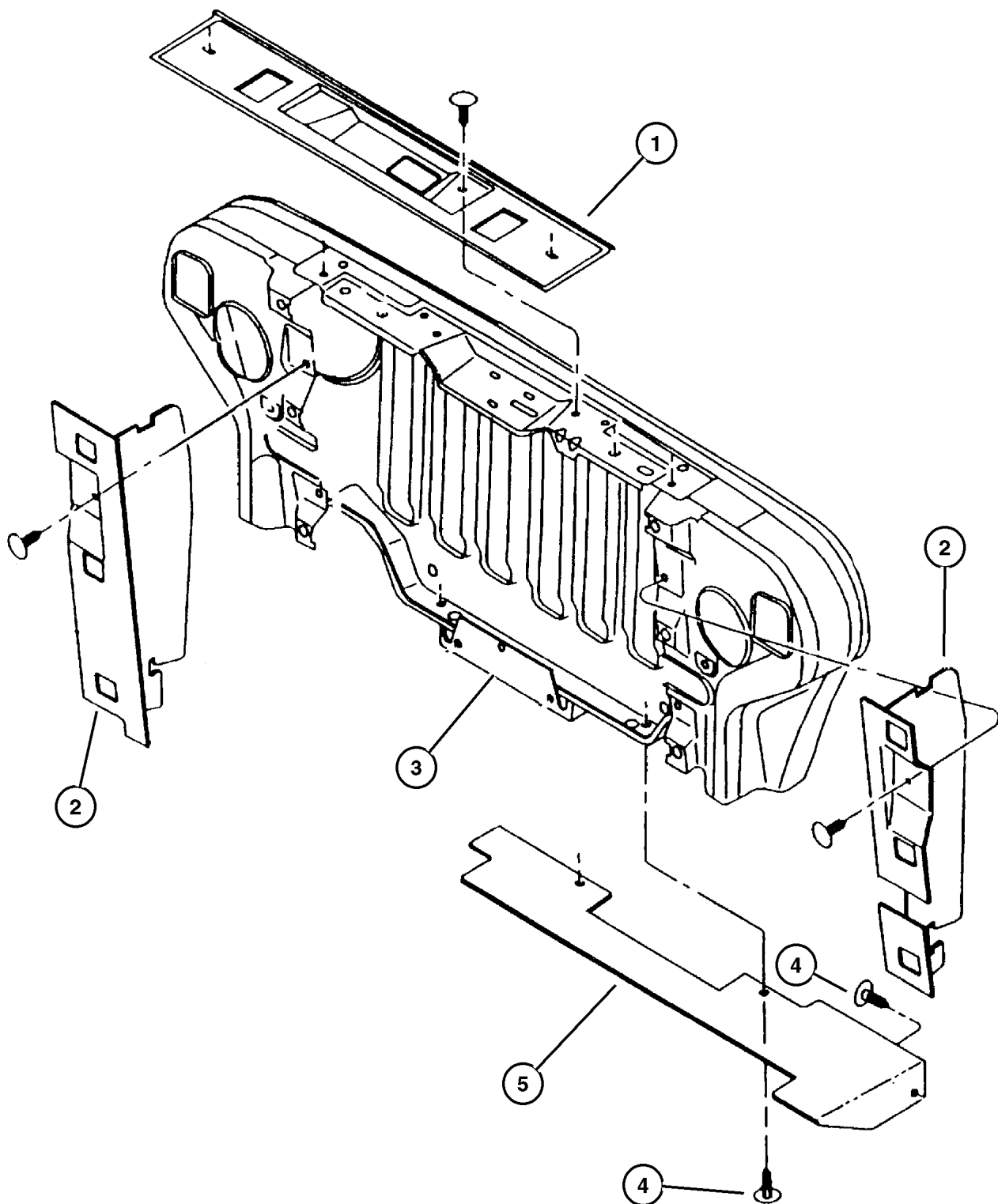
JEEP WRANGLER (TJ)

SERIES	LINE	BODY	ENGINE	TRANSMISSION
L=Low Line	J = Wrangler 4WD U = Wrangler 4WD (RHD)	77 = 93.4 WB	EPE, EP0 = 2.5L Power Tech ERH, ER0 = 4.0L Power Tech	DGG, DGD = 32RH 3 Spd. Auto. DDQ = 5 Spd. Manual DG0 = All Auto. Trans. DBB =All Manual Trans.

AR = Use as required - = Non illustrated part # = New this model year

June 7, 2002

Seals, A/c Condenser 1997 TJ 1998 TJ
Figure 024-245



ITEM	PART NUMBER	QTY	LINE	BODY	ENGINE	DESCRIPTION
1	55036 368AB	1				SEAL, Condenser
2	5503 6866	1	J	77		SEAL, Condenser Condenser to Grille, 1997 TJ
		1	U	77		Condenser to Grille, 1997 TJ 1998 TJ
		1				
3	5503 6867	1	J	77		SEAL, Condenser Condenser to Grille, 1997 TJ
		1	U	77		Condenser to Grille, 1997 TJ Condenser to Grille, 1998 TJ
		1				
4	6030 441	12				PIN, Retainer, Push
5	5503 6369	1	J	77		SEAL, Condenser Lower, 1997 TJ
		1	U	77		Lower, 1997 TJ
		1				Lower, 1998 TJ

JEEP WRANGLER (TJ)

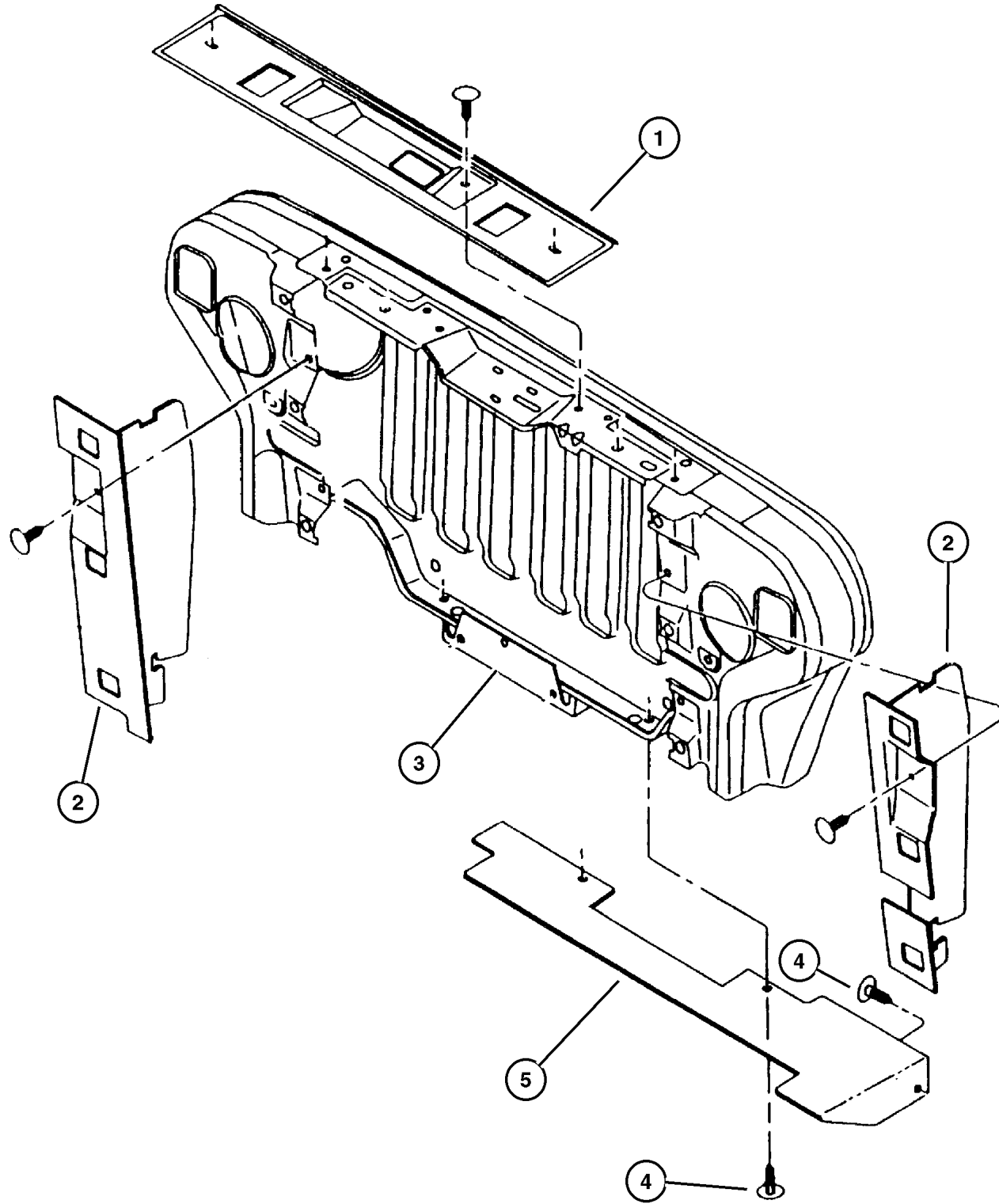
SERIES	LINE	BODY	ENGINE	TRANSMISSION
L=Low Line	J = Wrangler 4WD U = Wrangler 4WD (RHD)	77 = 93.4 WB	EPE, EP0 = 2.5L Power Tech ERH, ER0 = 4.0L Power Tech	DGG, DGD = 32RH 3 Spd. Auto. DDQ = 5 Spd. Manual DG0 = All Auto. Trans. DBB =All Manual Trans.

AR = Use as required - = Non illustrated part # = New this model year

June 7, 2002

Seals, A/c Condenser 1999 TJ
Figure 024-245

ITEM	PART NUMBER	QTY	LINE	BODY	ENGINE	DESCRIPTION
1	5503 6369	1				SEAL, Condenser
2	#55036 866AC	1				SEAL, Condenser
3	5503 6867	1				SEAL, Condenser, Condenser to Grille
4	6030 441	12				PIN, Retainer, Push
5	5503 6369	1				SEAL, Condenser, Lower



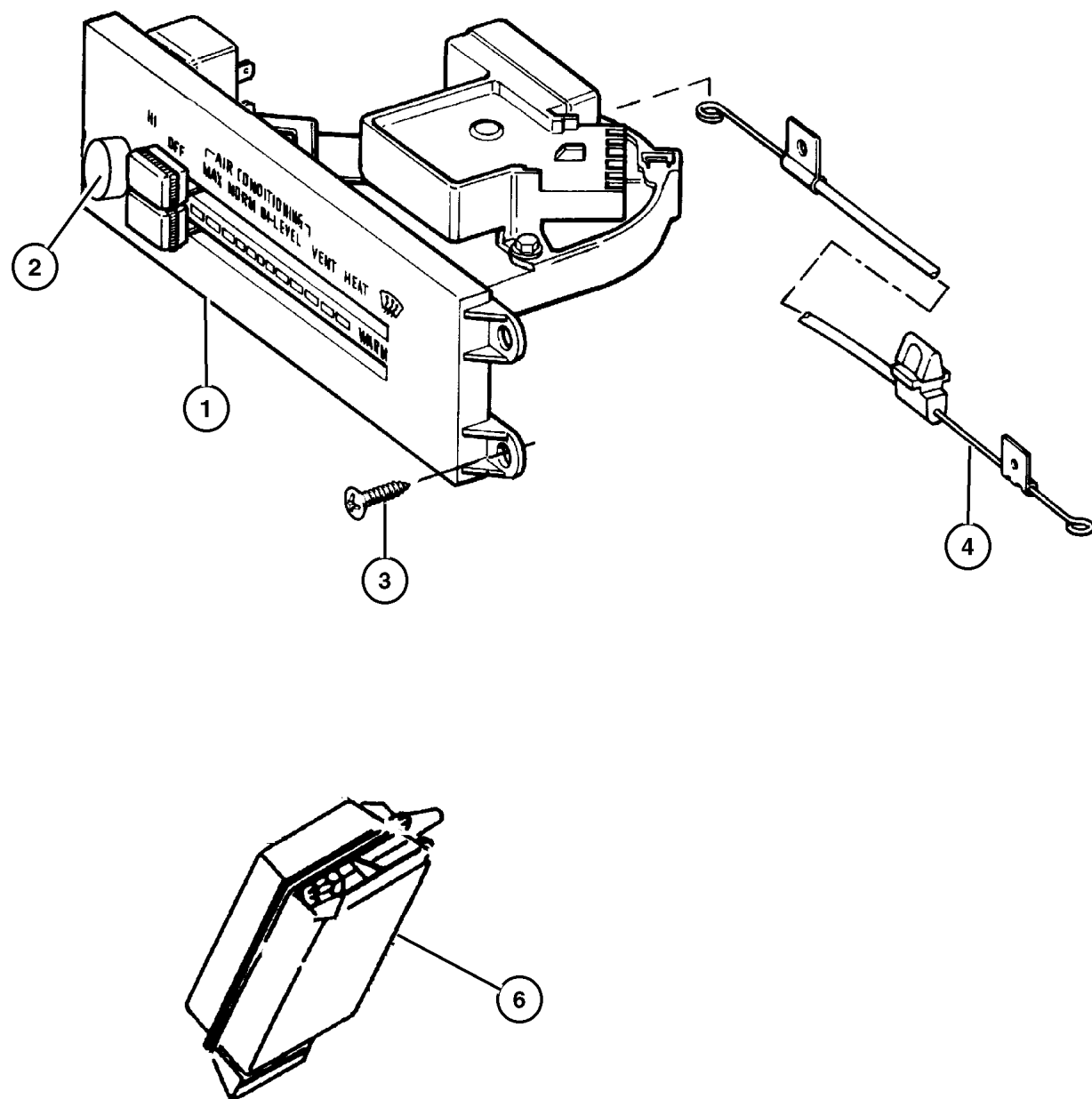
JEEP WRANGLER (TJ)

SERIES	LINE	BODY	ENGINE	TRANSMISSION
L=Low Line	J = Wrangler 4WD U = Wrangler 4WD (RHD)	77 = 93.4 WB	EPE, EP0 = 2.5L Power Tech ERH, ER0 = 4.0L Power Tech	DGG, DGD = 32RH 3 Spd. Auto. DDQ = 5 Spd. Manual DG0 = All Auto. Trans. DBB =All Manual Trans.

AR = Use as required - = Non illustrated part # = New this model year

June 7, 2002

Control, Heater And A/c 1997 TJ 1998 TJ
Figure 024-310



ITEM	PART NUMBER	QTY	LINE	BODY	ENGINE	DESCRIPTION
Note: Sales Code EP0 = 2.5L Gas Engine J=Dana 35 Rear Axle---DRK=Dana 44 Rear Axle						
Note: Sales Code ER0 = 4.0L Gas Engine J=Dana 35 Rear Axle---DRK=Dana 44 Rear Axle						
1						CONTROL UNIT, Air Conditioning
	5503 7340	1				without A/C (4-Terminal), 1997 TJ
		1	J			without A/C (4-Terminal), 1998 TJ
	5503 7341	1				with A/C (4- Terminal), 1997 TJ
		1	J			with A/C (4-Terminal), 1998 TJ
	5503 7361	1				without A/C (5-Terminal)
	55037 361AB	1				without A/C (7-Port Harness Connect), 1998 TJ
	55037 362AB	1				with A/C (5- Terminal), 1997 TJ
		1				with A/C (5-Terminal), 1998 TJ
	55037 362AC	1				with A/C (7-Port Harness Connect), 1998 TJ
2	4882 790	1				KNOB, Blower Switch
3	6032 723	4				SCREW, Self Tapping, M4.2x1.69x19.05
4						CABLE, Temperature Control
	55037 398AA	1	J			Temperature Control
	55037 405AA	1	U			
-5						CLIP
	5503 7284	1	J	77		Cable Support, 1997 TJ
		1				1998 TJ
6	5503 5614	1				RESERVOIR, Vacuum
-7						HOSE AND VALVE, Vacuum
	55036 353AC	1	U		EP0, ER0	1998 TJ
	55037 393AA	1	J		EP0, ER0	1997 TJ
	55037 393AC	1	J		EP0, ER0	1998 TJ
-8	J400 6866	1				NUT, Push On

JEEP WRANGLER (TJ)

SERIES	LINE	BODY	ENGINE	TRANSMISSION
L=Low Line	J = Wrangler 4WD U = Wrangler 4WD (RHD)	77 = 93.4 WB	EPE, EP0 = 2.5L Power Tech ERH, ER0 = 4.0L Power Tech	DGG, DGD = 32RH 3 Spd. Auto. DDQ = 5 Spd. Manual DG0 = All Auto. Trans. DBB =All Manual Trans.

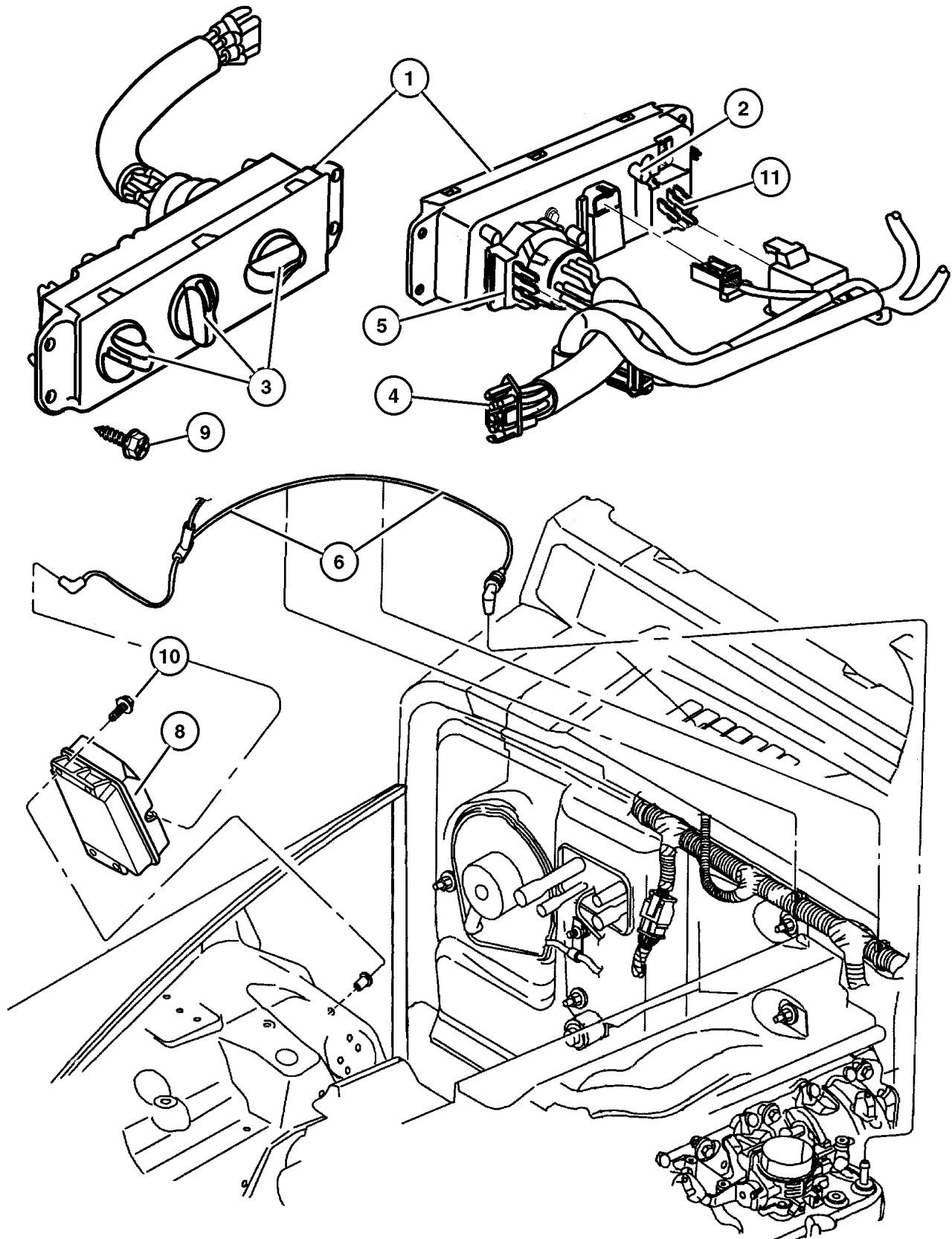
AR = Use as required - = Non illustrated part # = New this model year

June 7, 2002

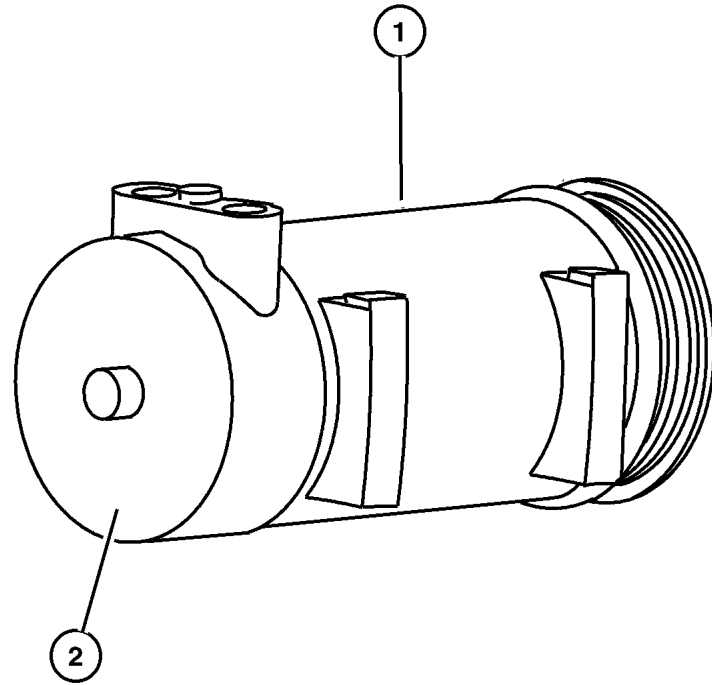
Control, Heater And A/c 1999 TJ
Figure 024-310

ITEM	PART NUMBER	QTY	LINE	BODY	ENGINE	DESCRIPTION
Note: Sales Code EP0 = 2.5L Gas Engine J=Dana 35 Rear Axle---DRK=Dana 44 Rear Axle						
Note: Sales Code ER0 = 4.0L Gas Engine J=Dana 35 Rear Axle---DRK=Dana 44 Rear Axle						
1						CONTROL UNIT, Air Conditioniing
	#55037 472AB	1				without A/C
	#55037 473AB	1				with A/C
2	#5013 829AA	1				BULB, Heater and A/C Control
3	5011 218AB	3				KNOB, A/C And Heater Control - Rotary
4						HARNESS, A/C And Heater Vacuum
	#5013 830AA	1				without A/C
	#5013 831AA	1				with A/C
5						SWITCH, A/C and Heater Vacuum
	#5013 832AA	1				without A/C
	#5013 833AA	1				with A/C
6						HOSE AND VALVE, Vacuum
	55036 353AC	1	U		EP0	
	55037 393AC	1	J		EP0	
	#55037 491AC	1	U		ER0	
	#55037 500AB	1	J		ER0	
-7	5503 7314	1	J			CLIP, Vacuum Harness
8	5503 5614	1				RESERVOIR, Vacuum, Cruise Control
9	6034 205	1				SCREW, Pan Head, .19-32x.625
10	6034 949	4				SCREW, M4.2x1.69x19.05
11	5011 214AA	1				SWITCH, Blower Control

JEEP WRANGLER (TJ)				
SERIES	LINE	BODY	ENGINE	TRANSMISSION
L=Low Line	J = Wrangler 4WD U = Wrangler 4WD (RHD)	77 = 93.4 WB	EPE, EP0 = 2.5L Power Tech ERH, ER0 = 4.0L Power Tech	DGG, DGD = 32RH 3 Spd. Auto. DDQ = 5 Spd. Manual DG0 = All Auto. Trans. DBB =All Manual Trans.



Compressor, A/c 1997 TJ 1998 TJ
Figure 024-410



ITEM	PART NUMBER	QTY	LINE	BODY	ENGINE	DESCRIPTION
------	-------------	-----	------	------	--------	-------------

Note: Sales Code EP0 = 2.5L Gas Engine J=Dana 35 Rear Axle---DRK=Dana 44 Rear Axle

Note: Sales Code ER0 = 4.0L Gas Engine J=Dana 35 Rear Axle---DRK=Dana 44 Rear Axle

1	5503 7205	1			EP0, ER0	COMPRESSOR, Air Conditioning 1998 TJ
		1			EP0, ER0	Without Clutch, 1997 TJ
	5503 7358	1			EP0, ER0	With Clutch, 1997 TJ
2	4882 005	1			EP0, ER0	CLUTCH, A/C Compressor Compressor, 1998 TJ
		1			EP0, ER0	With 55037205 Compressor, 1997 TJ
	4882 004	1			EP0, ER0	With 55037358 Compressor, 1997 TJ

JEEP WRANGLER (TJ)

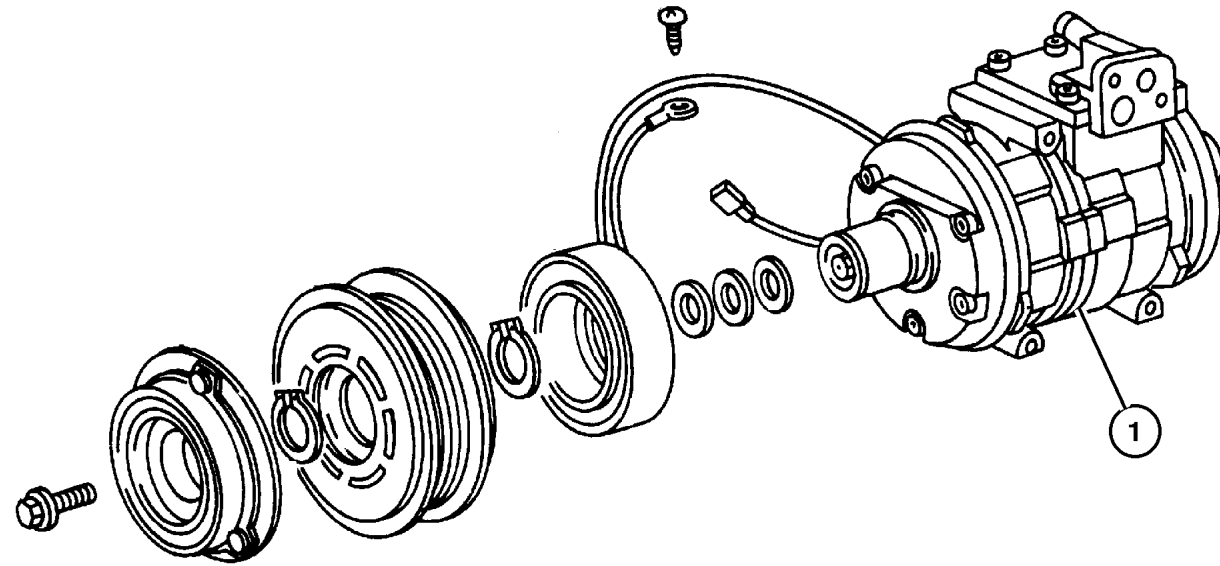
SERIES	LINE	BODY	ENGINE	TRANSMISSION
L=Low Line	J = Wrangler 4WD U = Wrangler 4WD (RHD)	77 = 93.4 WB	EPE, EP0 = 2.5L Power Tech ERH, ER0 = 4.0L Power Tech	DGG, DGD = 32RH 3 Spd. Auto. DDQ = 5 Spd. Manual DG0 = All Auto. Trans. DBB =All Manual Trans.

AR = Use as required - = Non illustrated part # = New this model year

June 7, 2002

**Compressor, A/c 1999 TJ
Figure 024-410**

ITEM	PART NUMBER	QTY	LINE	BODY	ENGINE	DESCRIPTION
Note: Sales Code ER0 = 4.0 L Engine J=Dana 35 Rear Axle---DRK=Dana 44 Rear Axle						
1	#55037 432AA	1			EP0, ER0	COMPRESSOR, Air Conditioning
-2	#5014 093AA	1			EP0, ER0	MANIFOLD KIT, A/C Compressor
-3	4728 854	1			EP0, ER0	SEAL, Manifold To Compressor
-4	5264 457	1			EP0, ER0	BOLT KIT, A/C Compressor Manifold
-5	5003 681AA	1			EP0, ER0	COIL, Air Conditioning Clutch
-6	4720 834	1			EP0, ER0	PULLEY HUB KIT, A/C Compressor
-7	5264 454	1			EP0, ER0	SNAP RING KIT, A/C Clutch
-8	8230 0102	1			EP0, ER0	LUBRICANT, Oil, 75w90

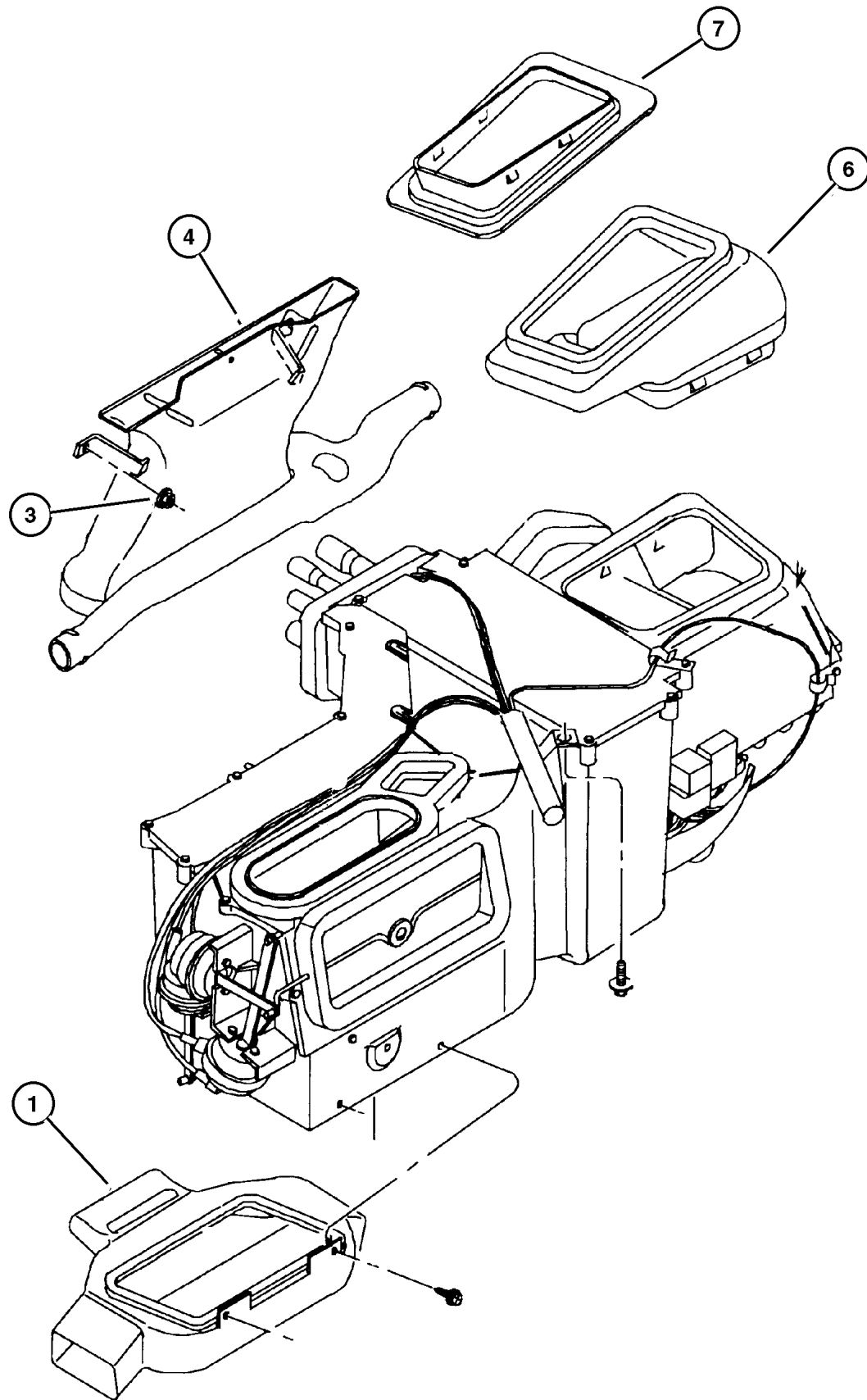


JEEP WRANGLER (TJ)				
SERIES	LINE	BODY	ENGINE	TRANSMISSION
L=Low Line	J = Wrangler 4WD U = Wrangler 4WD (RHD)	77 = 93.4 WB	EPE, EP0 = 2.5L Power Tech ERH, ER0 = 4.0L Power Tech	DGG, DGD = 32RH 3 Spd. Auto. DDQ = 5 Spd. Manual DG0 = All Auto. Trans. DBB =All Manual Trans.

AR = Use as required - = Non illustrated part # = New this model year

June 7, 2002

Ducts, Heater And A/c 1997 TJ 1998 TJ
Figure 024-610



ITEM	PART NUMBER	QTY	LINE	BODY	ENGINE	DESCRIPTION
1						DUCT, Floor Distribution
	4874 088	1	J			1998 TJ
	4874 089	1	U			1998 TJ
	5503 6466	1	U	77		1997 TJ
	5511 5177	1	J	77		Floor, 1997 TJ
-2						DUCT, A/C Outlet I/Panel A/C
	5511 5158	1	J			
	5511 5715	1	U			
3	6100 839	2				NUT, Push, M5
4						DUCT, Door Demister
	5511 5576	1	U			
	5511 5577	1	J			
-5						ADAPTER, Demister
	5503 6308	1	U			
	5503 6309	1	J			
6	5511 5157	1	J			DUCT, Fresh Air
7						COLLAR, Plenum
	5503 6474	1	J			Plenum Panel Air Inlet
	5503 6497	1	U			

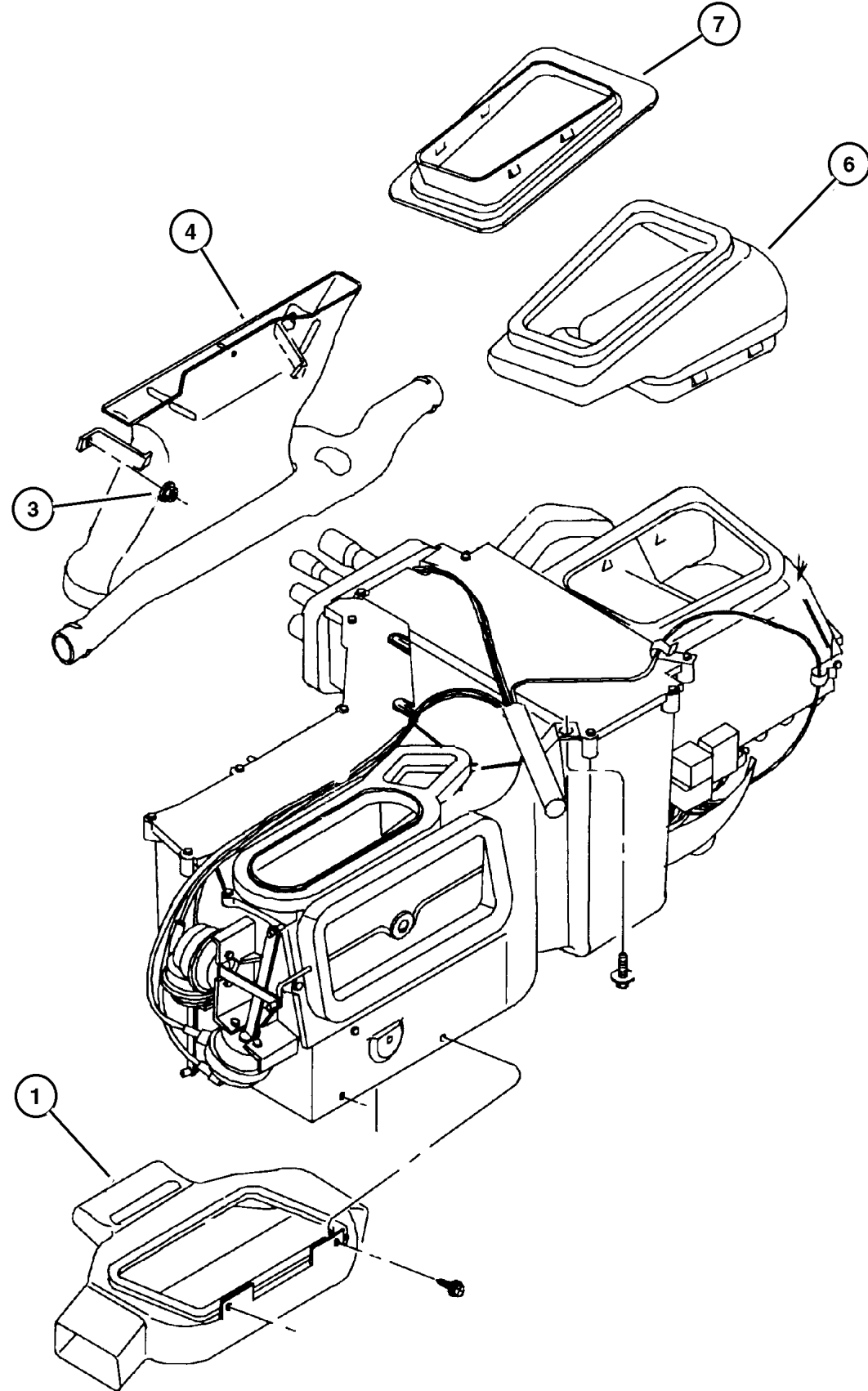
JEEP WRANGLER (TJ)

SERIES	LINE	BODY	ENGINE	TRANSMISSION
L=Low Line	J = Wrangler 4WD U = Wrangler 4WD (RHD)	77 = 93.4 WB	EPE, EP0 = 2.5L Power Tech ERH, ER0 = 4.0L Power Tech	DGG, DGD = 32RH 3 Spd. Auto. DDQ = 5 Spd. Manual DGO = All Auto. Trans. DBB =All Manual Trans.

AR = Use as required - = Non illustrated part # = New this model year

June 7, 2002

Ducts, Heater And A/c 1999 TJ
Figure 024-610



ITEM	PART NUMBER	QTY	LINE	BODY	ENGINE	DESCRIPTION
1	4874 088	1	J			DUCT, Floor Distribution
	4874 089	1	U			
-2	5511 5158	1	J			DUCT, A/C Outlet
	5511 5715	1	U			
3	6100 839	2				NUT, Push, M5
4	5511 5576	1	U			DUCT, Door Demister
	5511 5577	1	J			
-5	5503 6308	1	U			ADAPTER, Demister
	5503 6309	1	J			
6	5511 5157	1	J			DUCT, Fresh Air
7	5503 6474	1	J			COLLAR, Plenum
	5503 6497	1	U			Plenum Panel Air Inlet

JEEP WRANGLER (TJ)

SERIES	LINE	BODY	ENGINE	TRANSMISSION
L=Low Line	J = Wrangler 4WD U = Wrangler 4WD (RHD)	77 = 93.4 WB	EPE, EP0 = 2.5L Power Tech ERH, ER0 = 4.0L Power Tech	DGG, DGD = 32RH 3 Spd. Auto. DDQ = 5 Spd. Manual DG0 = All Auto. Trans. DBB =All Manual Trans.

AR = Use as required - = Non illustrated part # = New this model year

June 7, 2002

Group – 025

Emission Systems

GROUP 25 - Emission Systems

Illustration Title

Group-Fig. No.

Emission Labels

Emission Labels 2.5L (EPE), 4.0L (ERH) Engine Fig. 025-110

Vacuum Canister

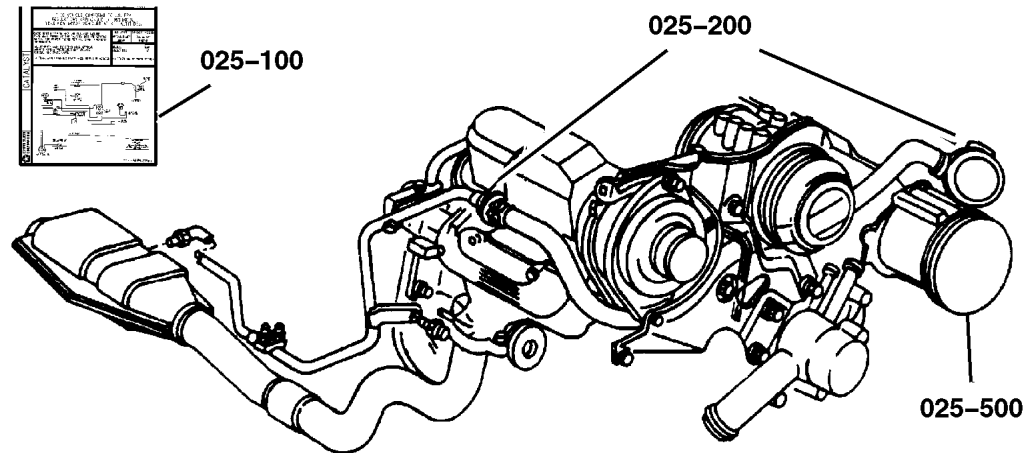
Vacuum Canister 2.5L (EPE), 4.0L (ERH) Engine 1997 TJ Fig. 025-310

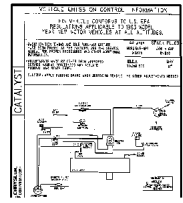
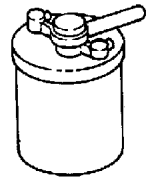
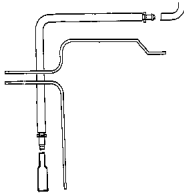
Vacuum Canister 1998 TJ 1999 TJ Fig. 025-315

Emission Harness

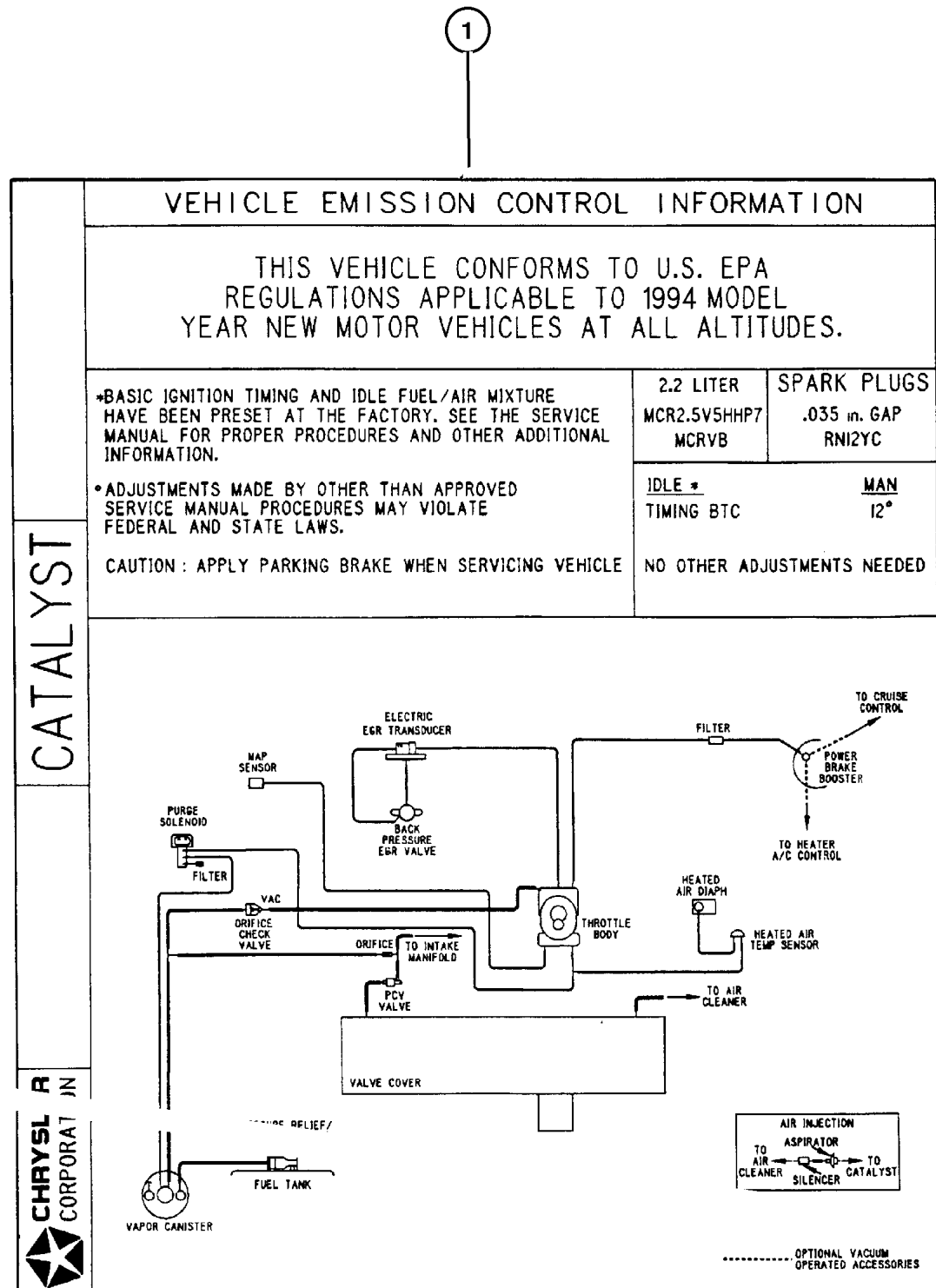
Emission Control Vacuum Harness 2.5L (EPE), 4.0 (ERH) Engine Fig. 025-410

Leak Detection Pump 1998 TJ 1999 TJ Fig. 025-420



<p>025-100 Emission Labels</p> 	<p>025-300 Vacuum Canister</p> 	<p>025-400 Emission Harness</p> 	
---	---	---	--

**Emission Labels 2.5L (EPE), 4.0L (ERH) Engine
Figure 025-110**



ITEM	PART NUMBER	QTY	LINE	BODY	ENGINE	TRANS	DESCRIPTION
------	-------------	-----	------	------	--------	-------	-------------

Note; DBB= All Manual Transmissions J=Dana 35 Rear Axle---DRK=Dana 44 Rear Axle
 DG0= All Automatic Transmissions J=Dana 35 Rear Axle---DRK=Dana 44 Rear Axle
 EPE= 2.5L Power Tech I-4 J=Dana 35 Rear Axle---DRK=Dana 44 Rear Axle
 ERH= 4.0L Power Tech I-6 J=Dana 35 Rear Axle---DRK=Dana 44 Rear Axle

1	LABEL, Emission						DESCRIPTION
4854 523AB	1				ERH	DG0	Federal, 1997 TJ
4854 524AB	1				ERH	DG0	Canada, 1997 TJ
53013 121AA	1				ERH		California, 1998 TJ
53013 633AC	1				EPE		Export, 1997 TJ
53013 633AD	1				EPE		Europe, 1998 TJ
53013 634AB	1				ERH		Export, 1997 TJ
	1				ERH		Europe, 1998 TJ
53013 806AB	1		J		EPE		California, 1998 TJ
53013 822AA	1		J		ERH		Federal, 1998 TJ
53013 824AA	1		J		ERH		Canada, 1998 TJ
53031 315AB	1				EPE		Federal, 1997 TJ
53031 316AB	1				EPE		California, 1997 TJ
53031 317AC	1				EPE		Canada, 1997 TJ
53031 318AB	1				ERH	DBB	Federal, 1997 TJ
53031 319AB	1				ERH		California, 1997 TJ
53031 320AB	1				ERH	DBB	Canada, 1997 TJ
53031 817AB	1		J		EPE		Federal, 1998 TJ
53031 819AB	1		J		EPE		Canada, 1998 TJ
#53031 824AA	1				EPE		Federal, 1999 TJ
#53031 825AA	1				EPE		Canada, 1999 TJ
#53031 827AA	1				EPE		California, 1999 TJ
#53031 828AA	1				EPE		Europe, 1999 TJ
#53031 829AA	1				ERH		Federal, 1999 TJ
#53031 831AA	1				ERH		California, 1999 TJ
#53031 832AA	1				ERH		Europe, 1999 TJ

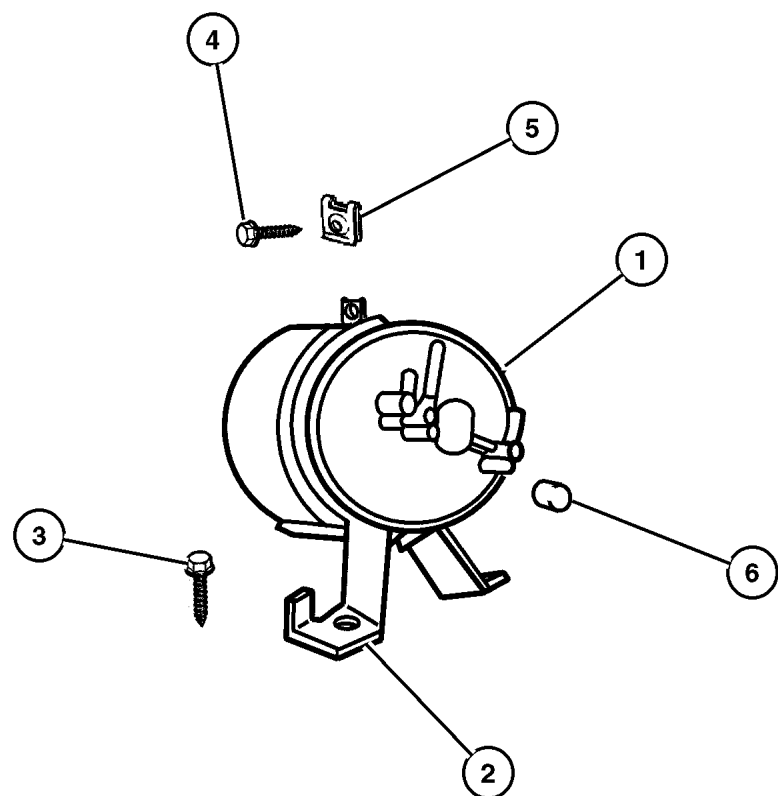
JEEP WRANGLER (TJ)
 SERIES LINE BODY ENGINE TRANSMISSION
 L=Low Line J = Wrangler 4WD 77 = 93.4 WB EPE, EP0 = 2.5L Power Tech DDG = 5 Spd. Manual
 U = Wrangler 4WD (RHD) ERH, ER0 = 4.0L Power Tech DG0 = All Auto. Trans.
 DBB =All Manual Trans.

AR = Use as required - = Non illustrated part # = New this model year

June 7, 2002

Vacuum Canister 2.5L (EPE), 4.0L (ERH) Engine 1997 TJ
Figure 025-310

ITEM	PART NUMBER	QTY	LINE	BODY	ENGINE	TRANS	DESCRIPTION
Note; EP0= All 2.5L Engines J=Dana 35 Rear Axle---DRK=Dana 44 Rear Axle							
ER0= All 4.0L Engines J=Dana 35 Rear Axle---DRK=Dana 44 Rear Axle							
1	53031 904AB	1			EP0, ER0		CANISTER, Vapor
2	53030 617AB	1			EP0, ER0		BRACKET, Vapor Canister
3							SCREW, M6x1.00x20.00, (NOT SERVICED)
4	6035 399	1			EP0, ER0		SCREW, .25-20
5	0153 355	1			EP0, ER0		U-NUT, .25-20
6	4192 074	1			EP0, ER0		CAP, Vapor Canister

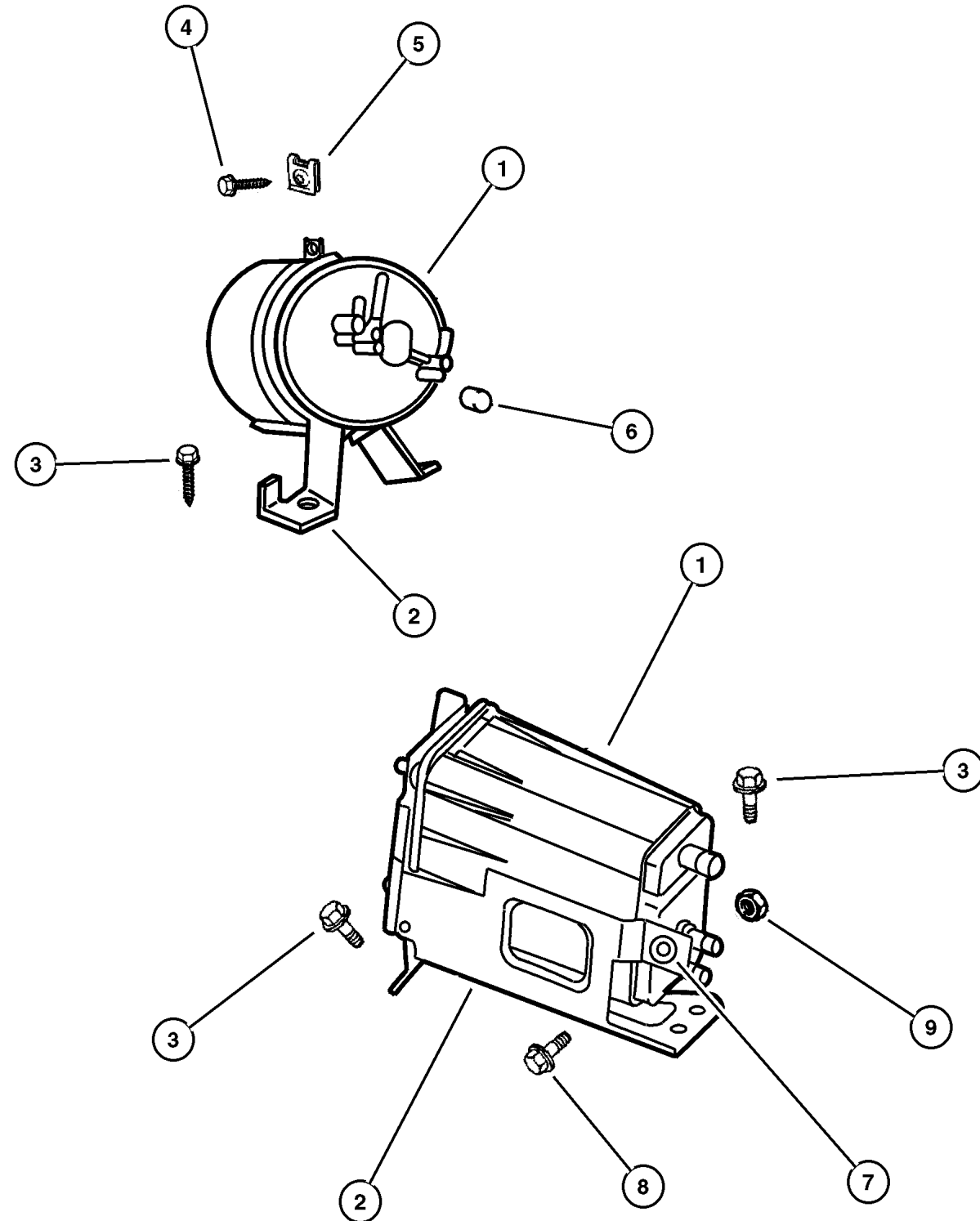


JEEP WRANGLER (TJ)				
SERIES	LINE	BODY	ENGINE	TRANSMISSION
L=Low Line	J = Wrangler 4WD U = Wrangler 4WD (RHD)	77 = 93.4 WB	EPE, EP0 = 2.5L Power Tech ERH, ER0 = 4.0L Power Tech	DGG, DGD = 32RH 3 Spd. Auto. DDQ = 5 Spd. Manual DG0 = All Auto. Trans. DBB =All Manual Trans.

AR = Use as required - = Non illustrated part # = New this model year

June 7, 2002

Vacuum Canister 1998 TJ 1999 TJ
Figure 025-315



ITEM	PART NUMBER	QTY	LINE	BODY	ENGINE	TRANS	DESCRIPTION
Note; EP0= All 2.5L Engines J=Dana 35 Rear Axle---DRK=Dana 44 Rear Axle							
ER0= All 4.0L Engines J=Dana 35 Rear Axle---DRK=Dana 44 Rear Axle							
1	5303 0838	1			EP0, ER0		CANISTER, Vapor Federal, California
	53031 904AB	1			EP0, ER0		Europe, Leaded Gas
2	53013 031AB	1			EP0, ER0		BRACKET, Vapor Canister Federal, California
	53030 617AC	1			EP0, ER0		Europe, Leaded Gas
3							SCREW, M6x1.00x20.00, (NOT SERVICED)
4	6035 399	1			EP0, ER0		SCREW, .25-20
5	0153 355	1			EP0, ER0		U-NUT, .25-20
6	4192 074	1			EP0, ER0		CAP, Vapor Canister
7	4669 177	2			EP0, ER0		GROMMET, Air Cleaner Bracket
8	6101 452	1			EP0, ER0		SCREW AND WASHER, Hex Head, M8x1.25x20
9	6101 467	1			EP0, ER0		NUT, Hex Flange, M8x1.25

JEEP WRANGLER (TJ)

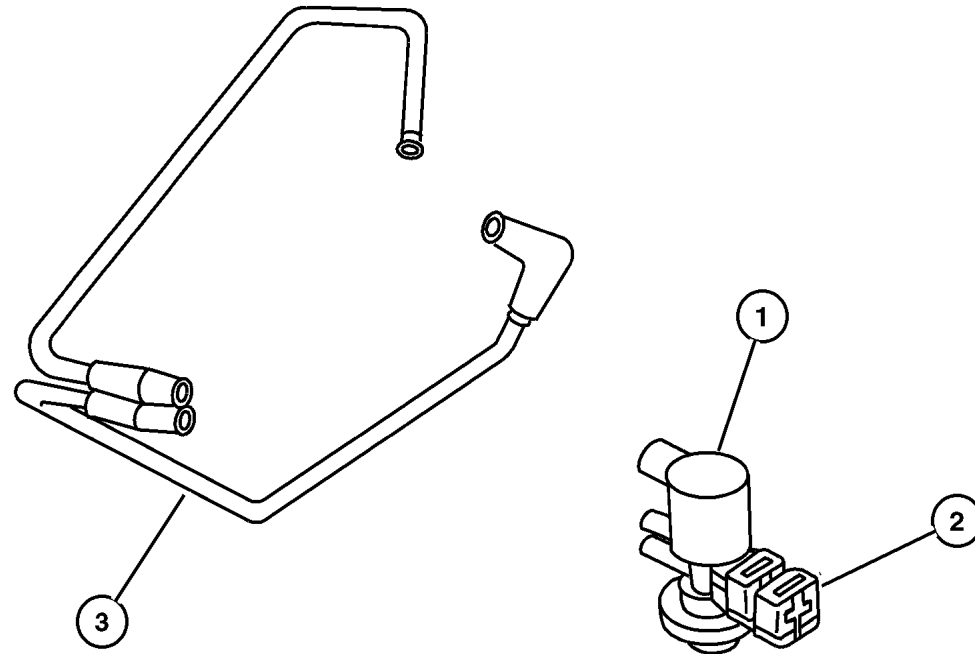
SERIES	LINE	BODY	ENGINE	TRANSMISSION
L=Low Line	J = Wrangler 4WD U = Wrangler 4WD (RHD)	77 = 93.4 WB	EPE, EP0 = 2.5L Power Tech ERH, ER0 = 4.0L Power Tech	DGG, DGD = 32RH 3 Spd. Auto. DDQ = 5 Spd. Manual DG0 = All Auto. Trans. DBB =All Manual Trans.

AR = Use as required - = Non illustrated part # = New this model year

June 7, 2002

**Emission Control Vacuum Harness 2.5L (EPE), 4.0 (ERH) Engine
Figure 025-410**

ITEM	PART NUMBER	QTY	LINE	BODY	ENGINE	TRANS	DESCRIPTION
Note; EP0= All 2.5L Engines J=Dana 35 Rear Axle---DRK=Dana 44 Rear Axle							
ER0= All 4.0L Engines J=Dana 35 Rear Axle---DRK=Dana 44 Rear Axle							
1	4669 475AB	1			EP0, ER0		SOLENOID, Duty Cycle Purge
2	4796 704	1			EP0, ER0		BRACKET, Duty Cycle Purge Solenoid, w/Bushing
3	4854 160	1			EP0		HARNESS, Vacuum Canister Purge 1997 TJ, 1998 TJ Leaded Fuel, 1999 TJ Federal, California, 1999 TJ
	4854 163	1			ER0		
	#4854 163AB	1			ER0		
	#4854 134AC	1			ER0		

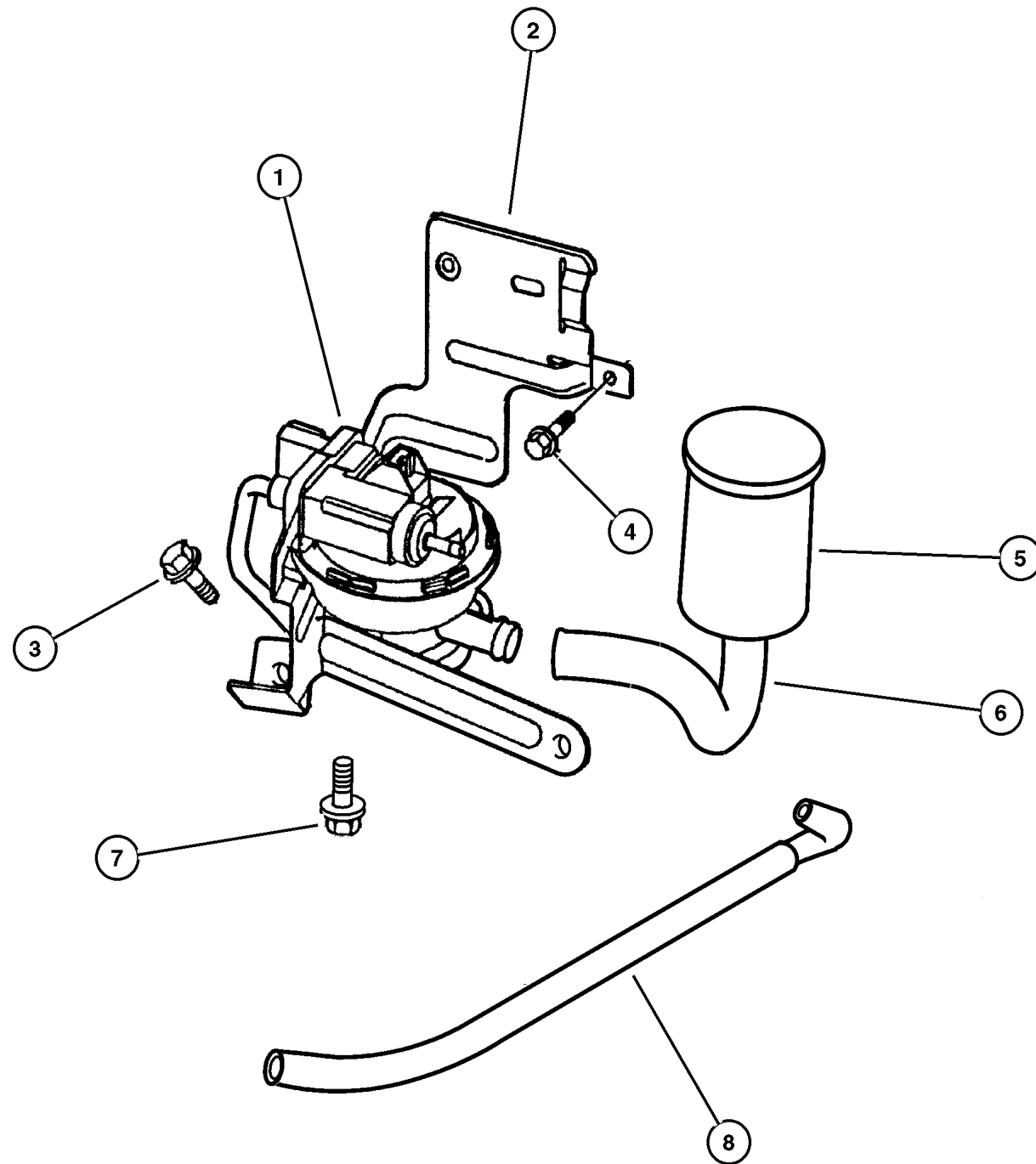


JEEP WRANGLER (TJ)				
SERIES	LINE	BODY	ENGINE	TRANSMISSION
L=Low Line	J = Wrangler 4WD U = Wrangler 4WD (RHD)	77 = 93.4 WB	EPE, EP0 = 2.5L Power Tech ERH, ER0 = 4.0L Power Tech	DGG, DGD = 32RH 3 Spd. Auto. DDQ = 5 Spd. Manual DG0 = All Auto. Trans. DBB =All Manual Trans.

AR = Use as required - = Non illustrated part # = New this model year

June 7, 2002

Leak Detection Pump 1998 TJ 1999 TJ
Figure 025-420



ITEM	PART NUMBER	QTY	LINE	BODY	ENGINE	TRANS	DESCRIPTION
Note; EP0= All 2.5L Engines J=Dana 35 Rear Axle---DRK=Dana 44 Rear Axle							
ER0= All 4.0L Engines J=Dana 35 Rear Axle---DRK=Dana 44 Rear Axle							
1	53013 114AA	1			EP0, ER0		PUMP, Leak Detection
2	4854 172	1			EP0, ER0		BRACKET, Leak Detection Pump
3							SCREW, M6x1.00x20.00, (NOT SERVICED)
4							SCREW, M6x1.00x11.00, (NOT SERVICED)
5	4612 901	1			EP0, ER0		FILTER, Leak Detection Pump
6	4854 195	1			EP0, ER0		HOSE, Leak Detection Pump
7	6035 482	3			EP0, ER0		SCREW, Tapping, .19-16x.375
8	4854 195AB	1			EP0, ER0		HOSE, Leak Detection Pump to Canister 1998 TJ
	#4854 195AC	1			EP0, ER0		1999 TJ

JEEP WRANGLER (TJ)				
SERIES	LINE	BODY	ENGINE	TRANSMISSION
L=Low Line	J = Wrangler 4WD U = Wrangler 4WD (RHD)	77 = 93.4 WB	EPE, EP0 = 2.5L Power Tech ERH, ER0 = 4.0L Power Tech	DGG, DGD = 32RH 3 Spd. Auto. DDQ = 5 Spd. Manual DG0 = All Auto. Trans. DBB =All Manual Trans.

AR = Use as required - = Non illustrated part # = New this model year

June 7, 2002

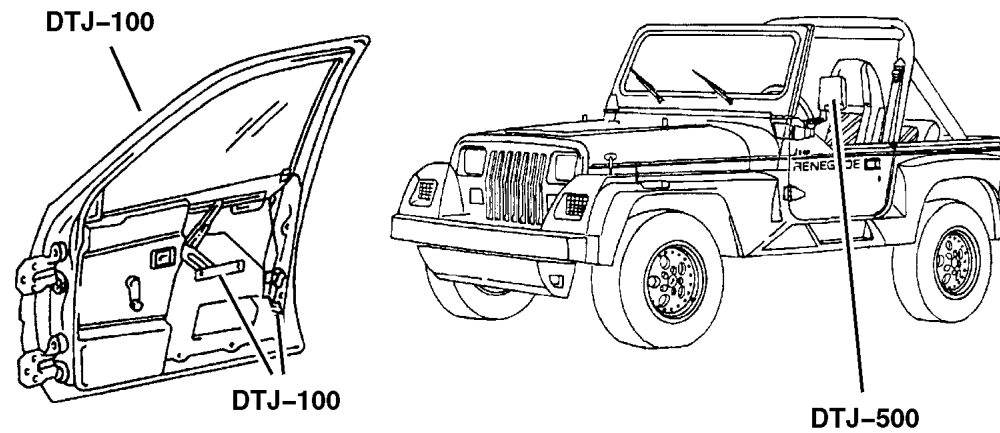
Group – DTJ

Doors and Related Parts

GROUP DTJ - Doors and Related Parts

Illustration Title

Group-Fig. No.



Front Door

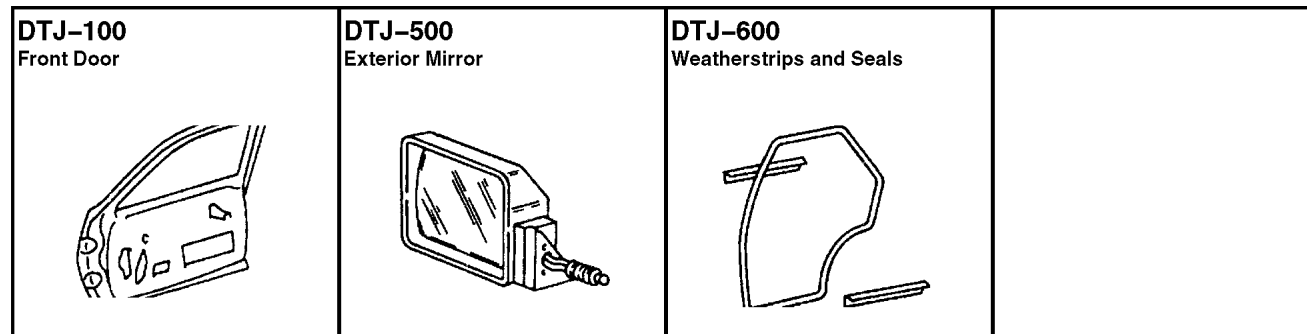
Door, Full Front Shell And Hinges 1997 TJ	Fig. DTJ-110
Door, Full Front Shell And Hinges 1998 TJ	Fig. DTJ-110
Door, Full Front Shell And Hinges 1999 TJ	Fig. DTJ-110
Door, Full Front Glass And Regulator	Fig. DTJ-120
Door, Full Front Lock And Controls 1997 TJ	Fig. DTJ-130
Door, Full Front Lock And Controls 1998 TJ	Fig. DTJ-130
Door, Full Front Lock And Controls 1999 TJ	Fig. DTJ-130
Door, Half Front Shell And Hinges 1997 TJ	Fig. DTJ-160
Door, Half Front Shell And Hinges 1998 TJ	Fig. DTJ-160
Door, Half Front Shell And Hinges 1999 TJ	Fig. DTJ-160
Door, Half Front Lock And Controls 1997 TJ	Fig. DTJ-170
Door, Half Front Lock And Controls 1998 TJ	Fig. DTJ-170
Door, Half Front Lock And Controls 1999 TJ	Fig. DTJ-170

Exterior Mirror

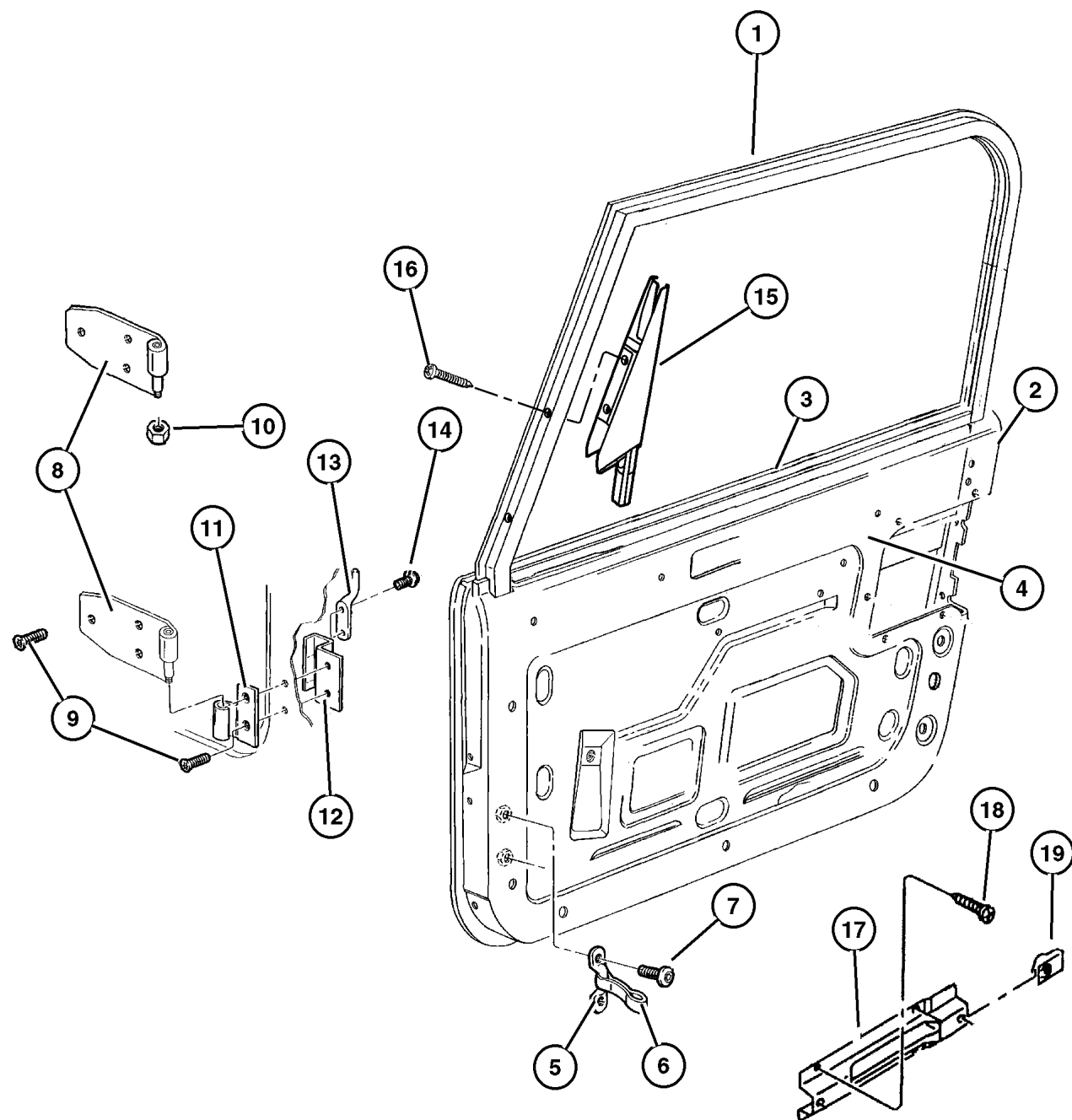
Mirror, Exterior	Fig. DTJ-510
------------------------	--------------

Weatherstrips and Seals

Door Weatherstrips And Runs 1997 TJ	Fig. DTJ-610
Door Weatherstrips And Runs 1998 TJ	Fig. DTJ-610
Door Weatherstrips And Runs 1999 TJ	Fig. DTJ-610



Door, Full Front Shell And Hinges 1997 TJ
Figure DTJ-110



ITEM	PART NUMBER	QTY	LINE	SERIES	BODY	DESCRIPTION
1						DOOR, Front, Complete
	4864 668AB	1				Right
	4864 669AB	1				Left
2						DOOR, Front, Shell
	55176 536AB	1				Right
	55176 537AB	1				Left
3						PANEL, Door Outer
	5517 6540	1				Right
	5517 6541	1				Left
4						WATERDAM, Front Door
	55175 786AB	1				Right
	55175 787AB	1				Left
5	5501 3666	1				FOOTMAN LOOP, Hold Down
6	5517 6339	2	J		77	CHECK, Front Door
7						SCREW, .19-24.50, 06036102AA, (NOT SERVICED)
8						HINGE, Door Half
	5517 6366	1	J		77	Lower Right
		1	U		77	Lower Right
	5517 6367	1	J		77	Lower Left
		1	U		77	Lower Left
	5517 6368	1	J		77	Upper Right
		1	U		77	Upper Right
	5517 6369	1	J		77	Upper Left
		1	U		77	Upper Left
9	6504 443	12				SCREW
10						NUT, Hex, M8x1.25
	6504 417	4	J		77	
		4	U		77	
11						HINGE, Body Half
	5507 5560	1	J		77	Lower Body Half, Right
		1	U		77	Lower Body Half, Right
	5507 5561	1	J		77	Lower Body Half, Left
		1	U		77	Lower Body Half, Left
12						TAPPING PLATE, Door Hinge Body Half
	J545 9281	2	J		77	Hinge Tapping
		2	U		77	Hinge Tapping
13	J545 9286	2				PIN, Restraint Strap, Check Strap
14	6501 979	2				SCREW AND WASHER, Hex Head, M6x1x17
15						PANEL, Door Outer
	55176 568AB	1				Sail, Right
	55176 569AB	1				Sail, Left
16						SCREW, (NOT SERVICED)
17	55175 848AB	2				BRACKET, Grab Handle, Grab Handle
18						SCREW, (NOT SERVICED)

JEEP WRANGLER (TJ)

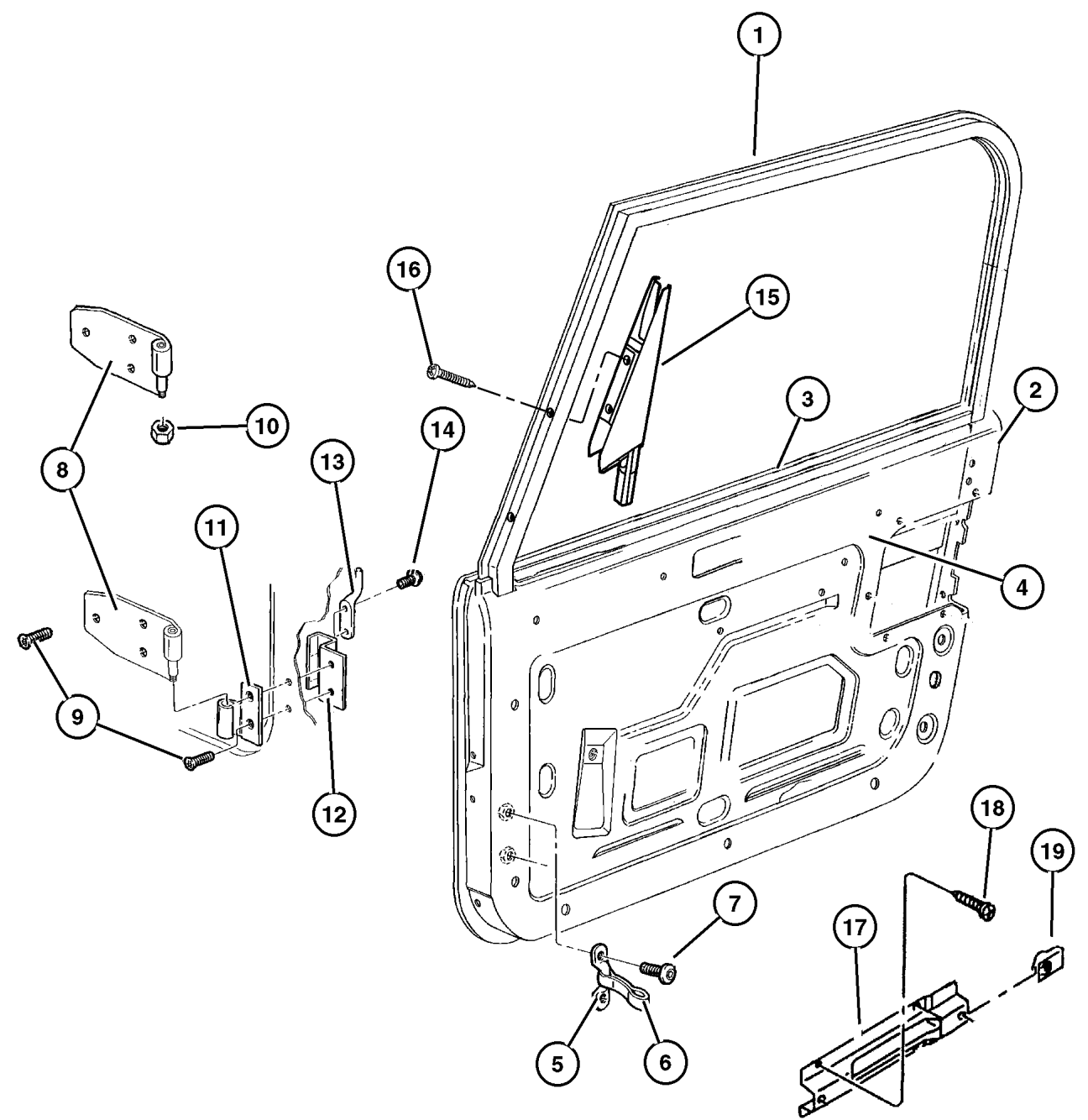
SERIES	LINE	BODY	ENGINE	TRANSMISSION
L=Low Line	J = Wrangler 4WD U = Wrangler 4WD (RHD)	77 = 93.4 WB	EPE, EP0 = 2.5L Power Tech ERH, ER0 = 4.0L Power Tech	DGG, DGD = 32RH 3 Spd. Auto. DDQ = 5 Spd. Manual DGO = All Auto. Trans. DBB =All Manual Trans.

AR = Use as required - = Non illustrated part # = New this model year

June 7, 2002

Door, Full Front Shell And Hinges 1997 TJ
Figure DTJ-110

ITEM	PART NUMBER	QTY	LINE	SERIES	BODY	DESCRIPTION
19	6504 993AA	4				NUT



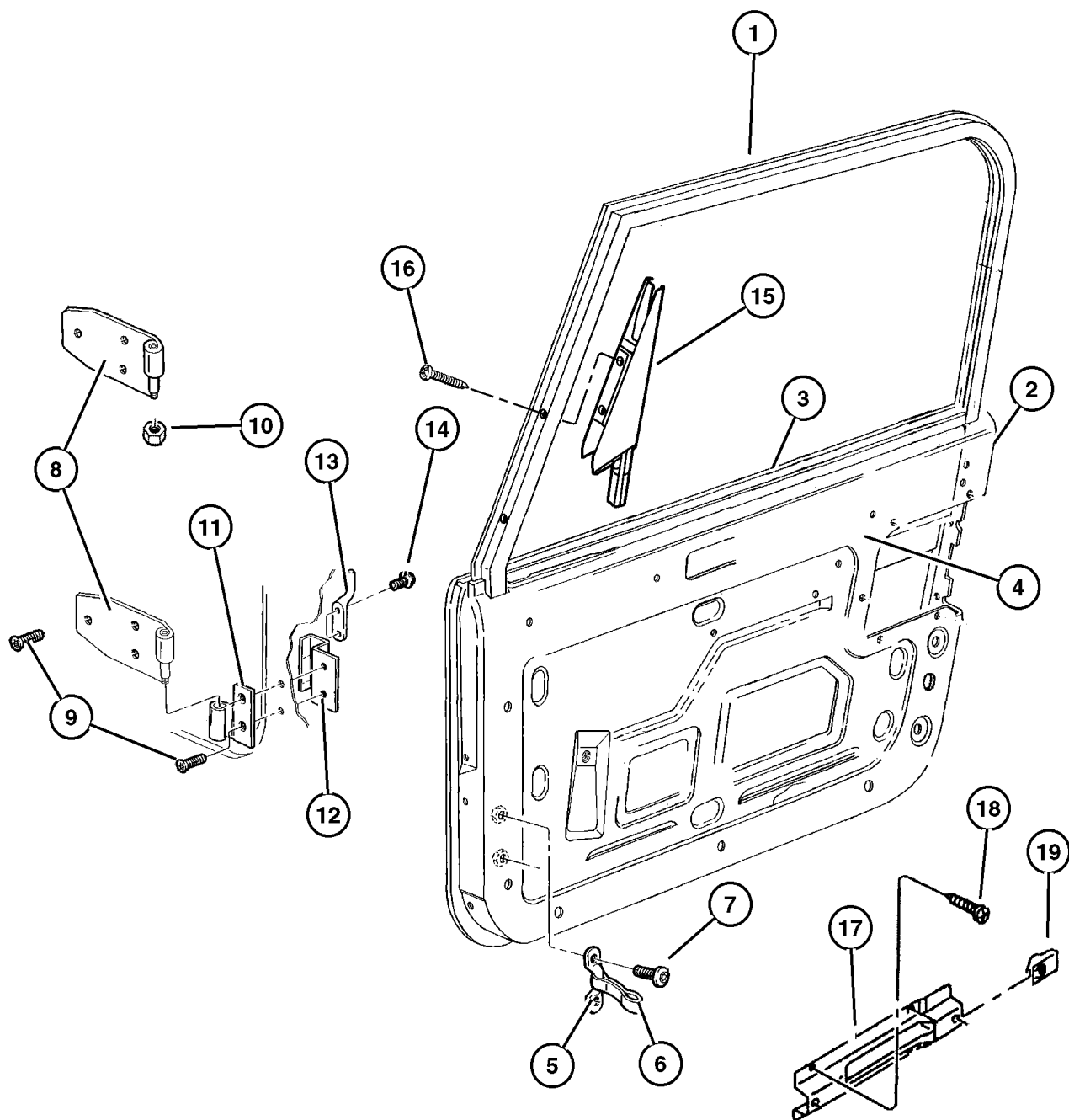
JEEP WRANGLER (TJ)				
SERIES	LINE	BODY	ENGINE	TRANSMISSION
L=Low Line	J = Wrangler 4WD U = Wrangler 4WD (RHD)	77 = 93.4 WB	EPE, EP0 = 2.5L Power Tech ERH, ER0 = 4.0L Power Tech	DGG, DGD = 32RH 3 Spd. Auto. DDQ = 5 Spd. Manual DG0 = All Auto. Trans. DBB =All Manual Trans.

AR = Use as required - = Non illustrated part # = New this model year

June 7, 2002

Door, Full Front Shell And Hinges 1998 TJ
Figure DTJ-110

ITEM	PART NUMBER	QTY	LINE	SERIES	BODY	DESCRIPTION
1						DOOR, Front, Complete
	4864 668AB	1				Right
	4864 669AB	1				Left
2						DOOR, Front, Shell
	55176 536AB	1				Right
	55176 537AB	1				Left
3						PANEL, Door Outer
	5517 6540	1				Right
	5517 6541	1				Left
4						WATERDAM, Front Door
	55175 786AB	1				Right
	55175 787AB	1				Left
5	5501 3666	1				FOOTMAN LOOP, Hold Down
6	5517 6339	2				CHECK, Front Door
7	6036 102AA	4				SCREW, .19-24.50
8						HINGE, Door Half
	5517 6366	1				Lower Right
	5517 6367	1				Lower Left
	5517 6368	1				Upper Right
	5517 6369	1				Upper Left
9	6504 443	12				SCREW
10	6504 417	4				NUT, Hex, M8x1.25
11						HINGE, Body Half
	5507 5560	1				Lower Body Half, Right
	5507 5561	1				Lower Body Half, Left
12	J545 9281	2				TAPPING PLATE, Door Hinge Body Half
13	J545 9286	2				PIN, Restraint Strap, Check Strap
14	6501 979	2				SCREW AND WASHER, Hex Head, M6x1x17
15						PANEL, Door Outer
	55176 568AB	1				Sail, Right
	55176 569AB	1				Sail, Left
16						SCREW, (NOT SERVICED)
17	55175 848AB	2				BRACKET, Grab Handle, Grab Handle
18						SCREW, (NOT SERVICED)
19	6504 993AA	4				NUT



JEEP WRANGLER (TJ)

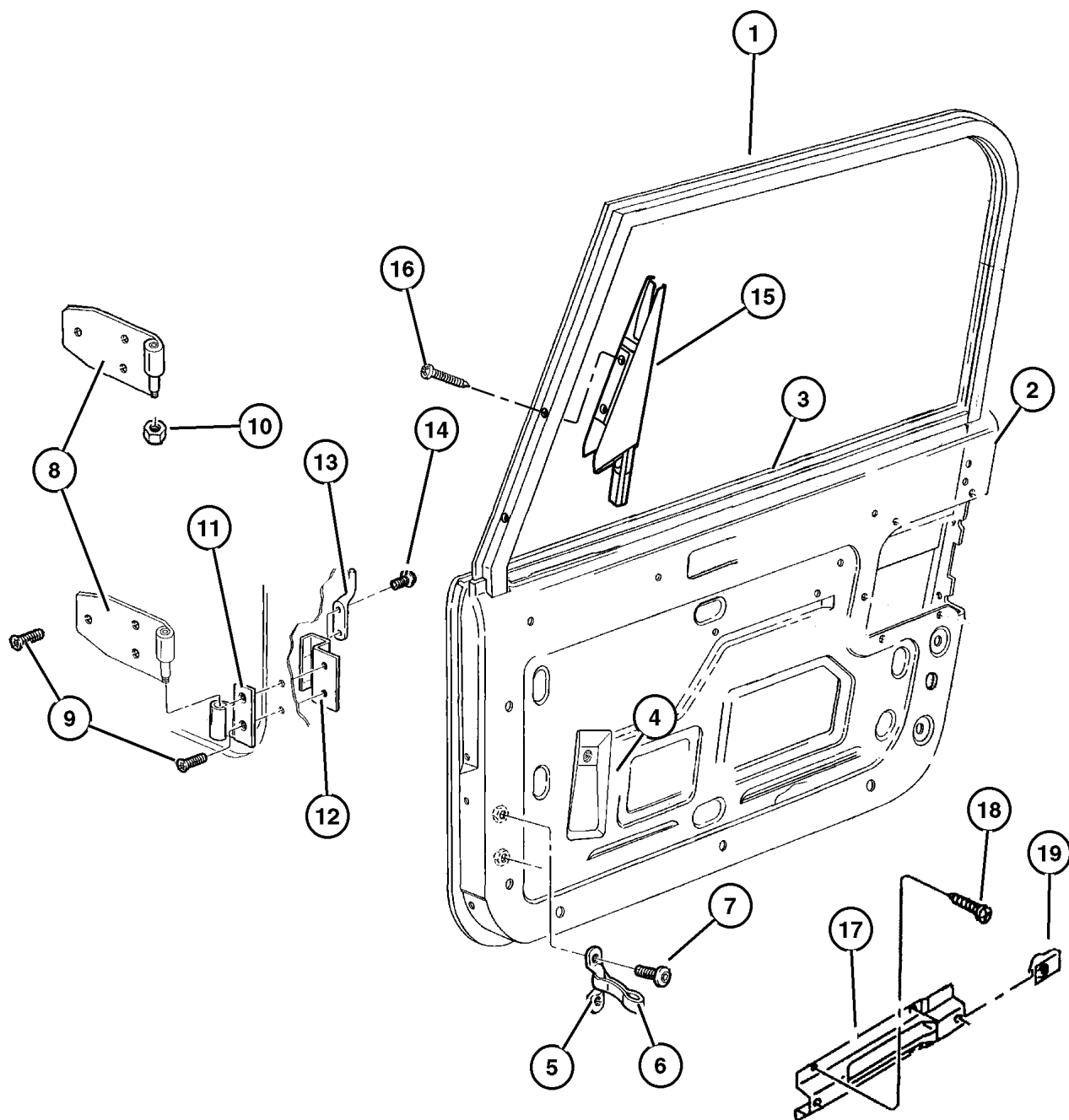
SERIES	LINE	BODY	ENGINE	TRANSMISSION
L=Low Line	J = Wrangler 4WD U = Wrangler 4WD (RHD)	77 = 93.4 WB	EPE, EP0 = 2.5L Power Tech ERH, ER0 = 4.0L Power Tech	DGG, DGD = 32RH 3 Spd. Auto. DDQ = 5 Spd. Manual DG0 = All Auto. Trans. DBB =All Manual Trans.

AR = Use as required - = Non illustrated part # = New this model year

June 7, 2002

Door, Full Front Shell And Hinges 1999 TJ
Figure DTJ-110

ITEM	PART NUMBER	QTY	LINE	SERIES	BODY	DESCRIPTION
1						DOOR, Front, Complete
	4864 668AB	1				Right
	4864 669AB	1				Left
2						DOOR, Front, Shell
	55176 536AB	1				Right
	55176 537AB	1				Left
3						PANEL, Door Outer
	5517 6540	1				Right
	5517 6541	1				Left
4						WATERSHIELD, Front Door
	#55175 786AD	1				Right
	#55175 787AD	1				Left
5	5501 3666	1				FOOTMAN LOOP, Hold Down
6	5517 6339	2				CHECK, Front Door
7	6504 443	12				SCREW, .19-24.50
8						HINGE, Door Half
	5517 6366	1				Lower Right
	5517 6367	1				Lower Left
	5517 6368	1				Upper Right
	5517 6369	1				Upper Left
9	6504 443	12				SCREW
10	6504 417	4				NUT, Hex, M8x1.25
11						HINGE, Body Half
	5507 5560	1				Lower Body Half, Right
	5507 5561	1				Lower Body Half, Left
12	J545 9281	2				TAPPING PLATE, Door Hinge Body Half
13	J545 9286	2				PIN, Restraint Strap, Check Strap
14	6501 979	2				SCREW AND WASHER, Hex Head, M6x1x17
15						PANEL, Door Outer
	55176 568AB	1				Sail, Right
	55176 569AB	1				Sail, Left
16						SCREW, (NOT SERVICED)
17	#55175 848AC	2				BRACKET, Grab Handle
18						SCREW, (NOT SERVICED)
19	6504 993AA	4				NUT



JEEP WRANGLER (TJ)

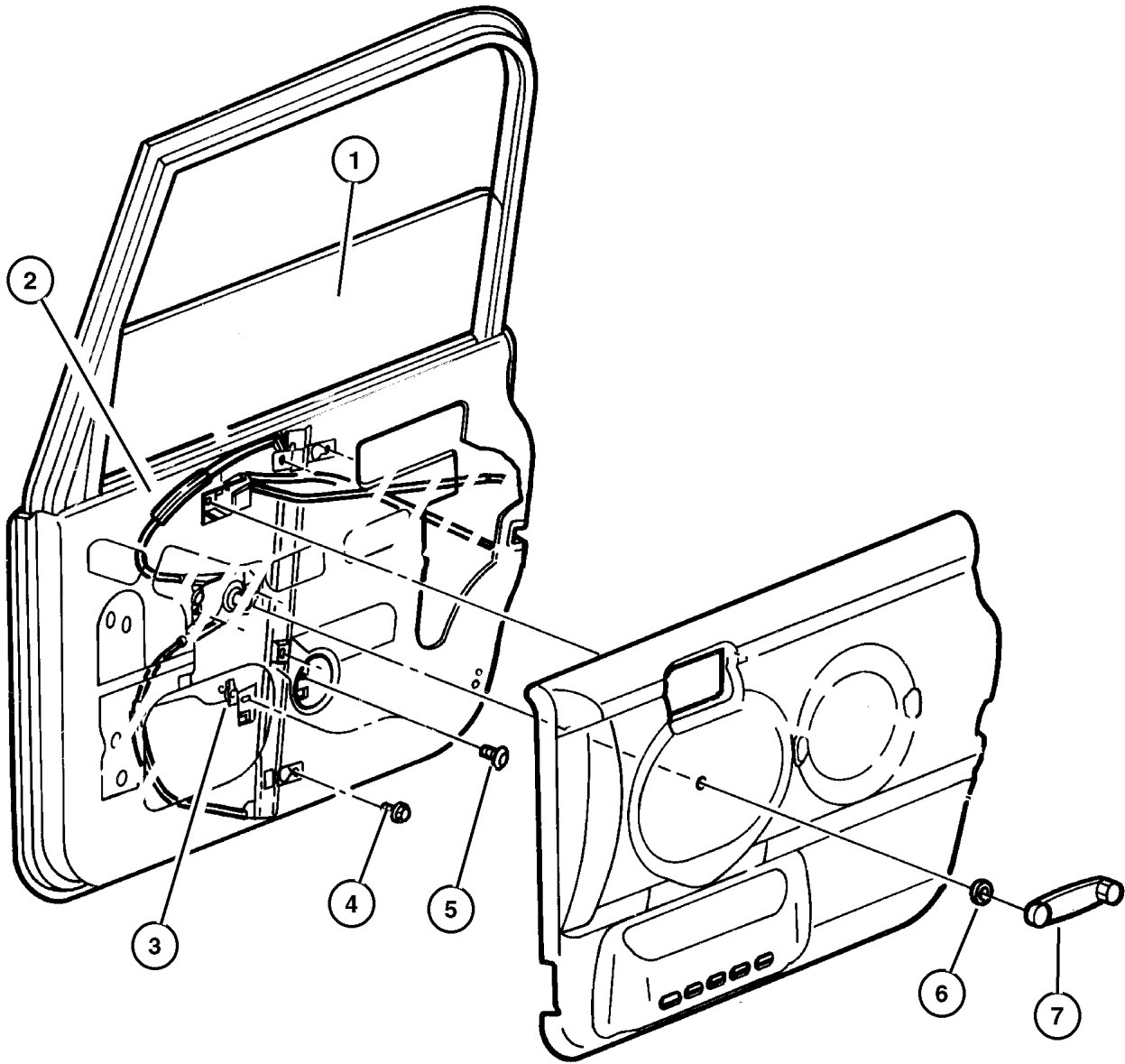
SERIES	LINE	BODY	ENGINE	TRANSMISSION
L=Low Line	J = Wrangler 4WD U = Wrangler 4WD (RHD)	77 = 93.4 WB	EPE, EP0 = 2.5L Power Tech ERH, ER0 = 4.0L Power Tech	DGG, DGD = 32RH 3 Spd. Auto. DDQ = 5 Spd. Manual DG0 = All Auto. Trans. DBB =All Manual Trans.

AR = Use as required - = Non illustrated part # = New this model year

June 7, 2002

**Door, Full Front Glass And Regulator
Figure DTJ-120**

ITEM	PART NUMBER	QTY	LINE	SERIES	BODY	DESCRIPTION
1						GLASS, Door
	5517 5324	1	J		77	1997 TJ, Right
		1	U		77	1997 TJ, Right
		1				1998 TJ, 1999 TJ, Right
	5517 5325	1	J		77	1997 TJ, Left
		1	U		77	1997 TJ, Left
		1				1998 TJ, 1999 TJ, Left
2						REGULATOR, Front Door Window
	5507 6024	1	J		77	Door Glass, 1997 TJ, Right
		1	U		77	Door Glass, 1997 TJ, Right
		1				1998 TJ, 1999 TJ, Right
	5507 6025	1	J		77	Door Glass, 1997 TJ, Left
		1	U		77	Door Glass, 1997 TJ, Left
		1				1998 TJ, 1999 TJ, Left
3	5517 6412	4				GROMMET, Body
4						SCREW, (NOT SERVICED)
5	6035 224	4				SCREW, Pan Head Special, .25x10x.625
6						SPACER, Door Handle
	5507 6218	2	J		77	Regulator Handle, 1997 TJ
		2	U		77	Regulator Handle, 1997 TJ
		2				1998 TJ, 1999 TJ
7						HANDLE, Window Regulator
	FW80 PX9	2				Glass, 1997 TJ
		2				Glass Regulator, 1998 TJ, 1999 TJ



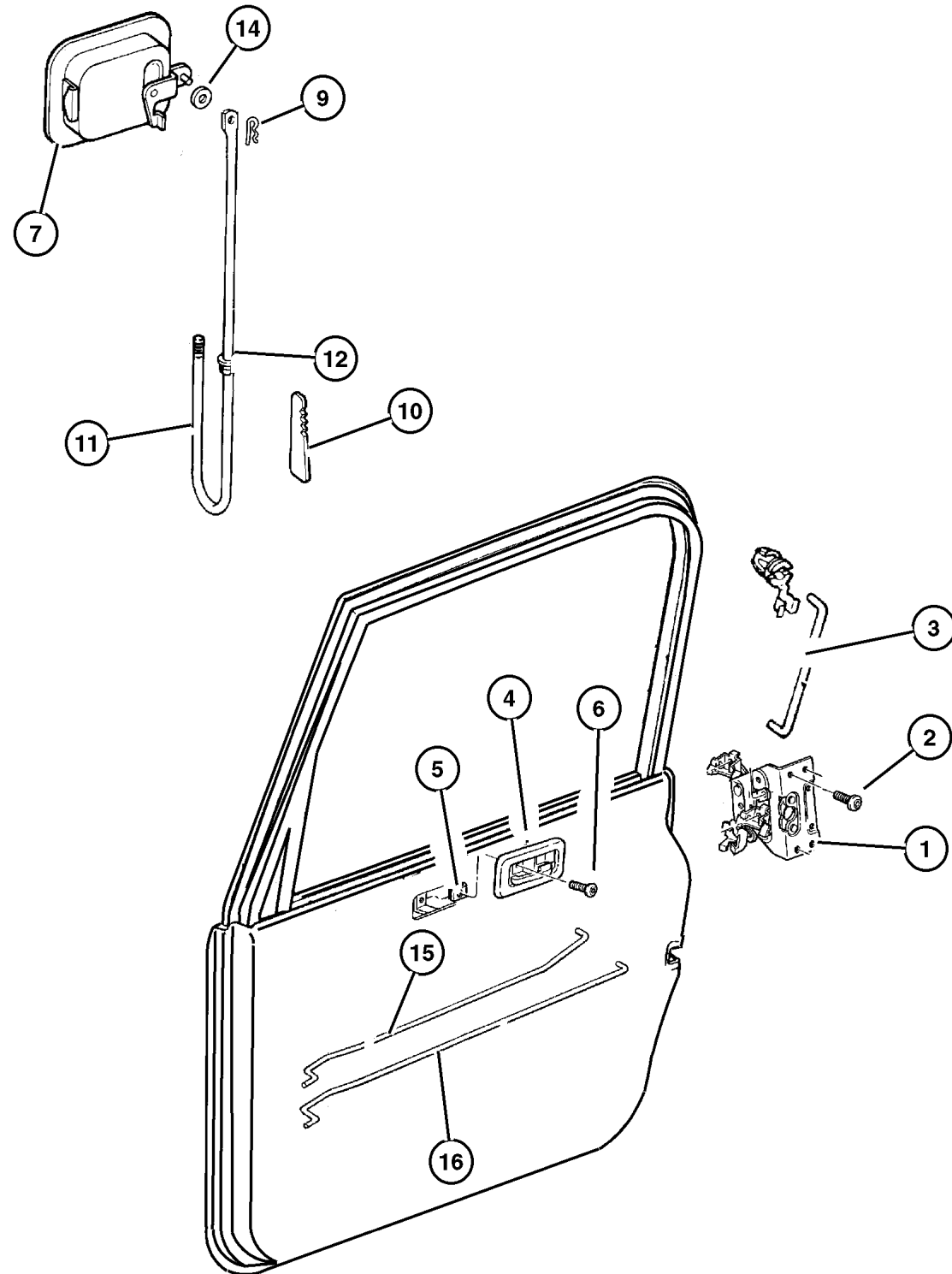
JEEP WRANGLER (TJ)

SERIES	LINE	BODY	ENGINE	TRANSMISSION
L=Low Line	J = Wrangler 4WD U = Wrangler 4WD (RHD)	77 = 93.4 WB	EPE, EP0 = 2.5L Power Tech ERH, ER0 = 4.0L Power Tech	DGG, DGD = 32RH 3 Spd. Auto. DDQ = 5 Spd. Manual DG0 = All Auto. Trans. DBB =All Manual Trans.

AR = Use as required - = Non illustrated part # = New this model year

June 7, 2002

Door, Full Front Lock And Controls 1997 TJ
Figure DTJ-130



ITEM	PART NUMBER	QTY	LINE	SERIES	BODY	DESCRIPTION
1						LATCH, Front Door
	5507 5990	1	J		77	Door, Right
		1	U		77	Door, Right
	5507 5991	1	J		77	Left
		1	U		77	Left
2	6033 876	6				SCREW, Tapping, M6.3x1.8x38.1, Latch
3						LINK, Latch Locking
	5507 5989	2	J		77	Lock Cylinder to Latch
		2	U		77	Lock Cylinder to Latch
4						HANDLE, Inside Release
	55176 476AB	1				Right
	55176 477AB	1				Left
5	6503 998	2				NUT, U Multi Thread, M5 x .80
6	6505 026AA	2				SCREW, M5x16, Remote Control
7						HANDLE, Exterior Door
	5517 6382	1				Right
	5517 6383	1				Left
-8	6505 026AA	2				SCREW, M5x16
9	J400 5122	2				PIN, Hitch, Exterior Handle Rod
10	5507 6221	4				KEEPER, Outside Handle
11						LINK, Latch Release
	5507 5992	1	J		77	Exterior Handle to Latch, Right
		1	U		77	Exterior Handle to Latch, Right
	5507 5993	1	J		77	Exterior Handle to Latch, Left
		1	U		77	Exterior Handle to Latch, Left
12						BUSHING, Door Handle
	5517 6399	2	J		77	Rod Guide
		2	U		77	Rod Guide
-13						BRACKET, Door Inside
	5517 6384	2	J		77	
		2	U		77	
14						WASHER, (NOT SERVICED)
15						LINK, Door Latch
	5517 6628	1				Right
	5517 6629	1				Left
16						LINK, Door Latch
	5517 6630	1				Right
	5517 6631	1				Left
-17	4673 358	4				CLIP, Anti Rattle

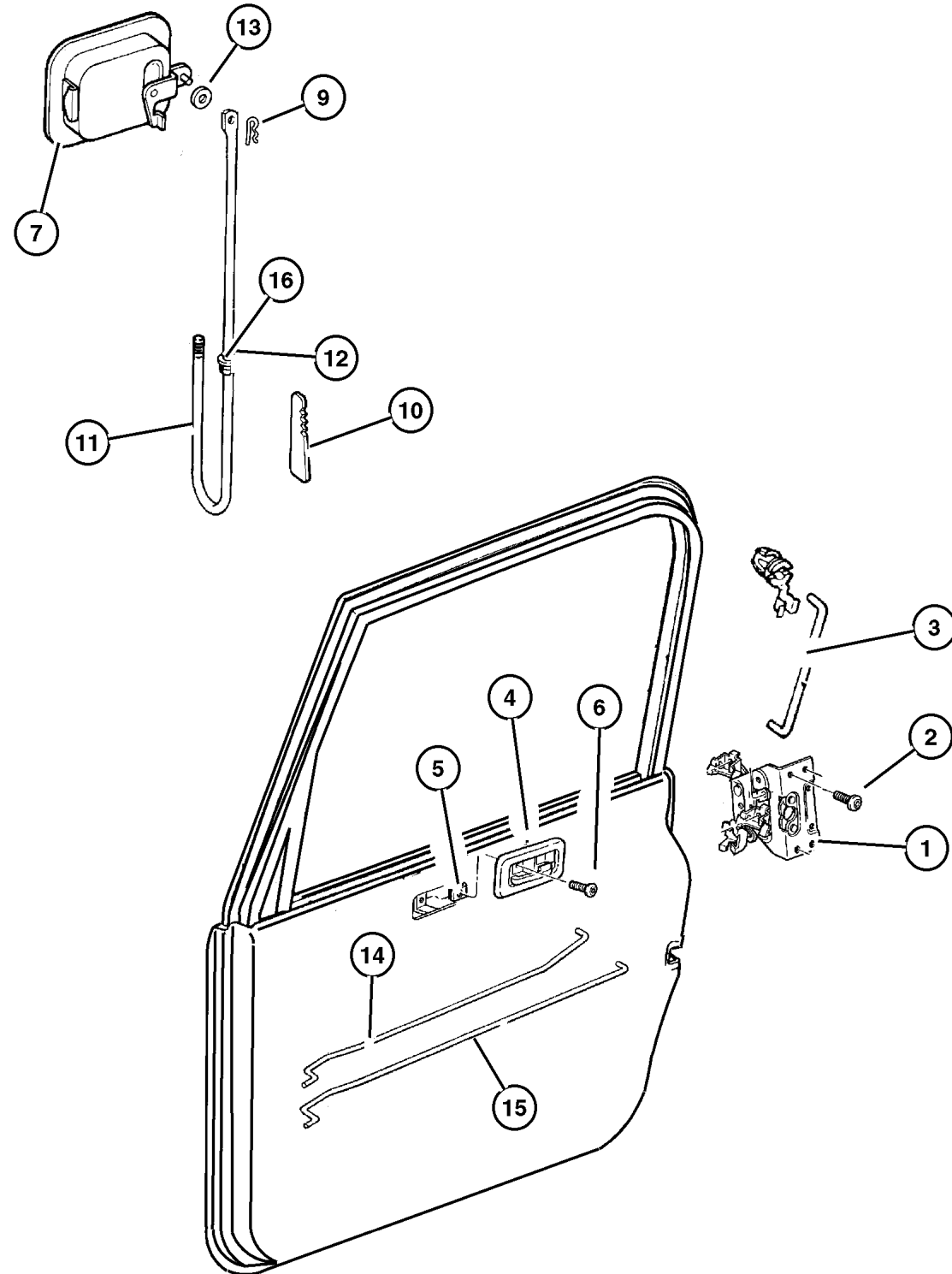
JEEP WRANGLER (TJ)

SERIES	LINE	BODY	ENGINE	TRANSMISSION
L=Low Line	J = Wrangler 4WD U = Wrangler 4WD (RHD)	77 = 93.4 WB	EPE, EP0 = 2.5L Power Tech ERH, ER0 = 4.0L Power Tech	DGG, DGD = 32RH 3 Spd. Auto. DDQ = 5 Spd. Manual DG0 = All Auto. Trans. DBB =All Manual Trans.

AR = Use as required - = Non illustrated part # = New this model year

June 7, 2002

Door, Full Front Lock And Controls 1998 TJ
Figure DTJ-130



ITEM	PART NUMBER	QTY	LINE	SERIES	BODY	DESCRIPTION
1						LATCH, Front Door
	55075 990AB	1				Right
	55075 991AB	1				Left
2	6033 876	6				SCREW, Tapping, M6.3x1.8x38.1, Latch
3	5507 5989	2				LINK, Latch Locking
4						HANDLE, Inside Release
	55176 476AB	1				Right
	55176 477AB	1				Left
5	6503 998	2				NUT, U Multi Thread, M5 x .80
6	6505 026AA	2				SCREW, M5x16, Remote Control
7						HANDLE, Exterior Door
	5517 6382	1				Right
	5517 6383	1				Left
-8	6505 026AA	2				SCREW, M5x16
9	J400 5122	2				PIN, Hitch, Exterior Handle Rod
10	5507 6221	4				KEEPER, Outside Handle
11						LINK, Latch Release
	5507 5992	1				Exterior Handle to Latch, Right
	5507 5993	1				Exterior Handle to Latch, Left
12	5517 6399	2				BUSHING, Door Handle, Rod Guide
13						WASHER, (NOT SERVICED)
14						LINK, Door Latch
	55176 628AB	1				Right
	55176 629AB	1				Left
15						LINK, Door Latch
	5517 6630	1				Right
	5517 6631	1				Left
16	55177 131AA	2				BRACKET, Door Inside

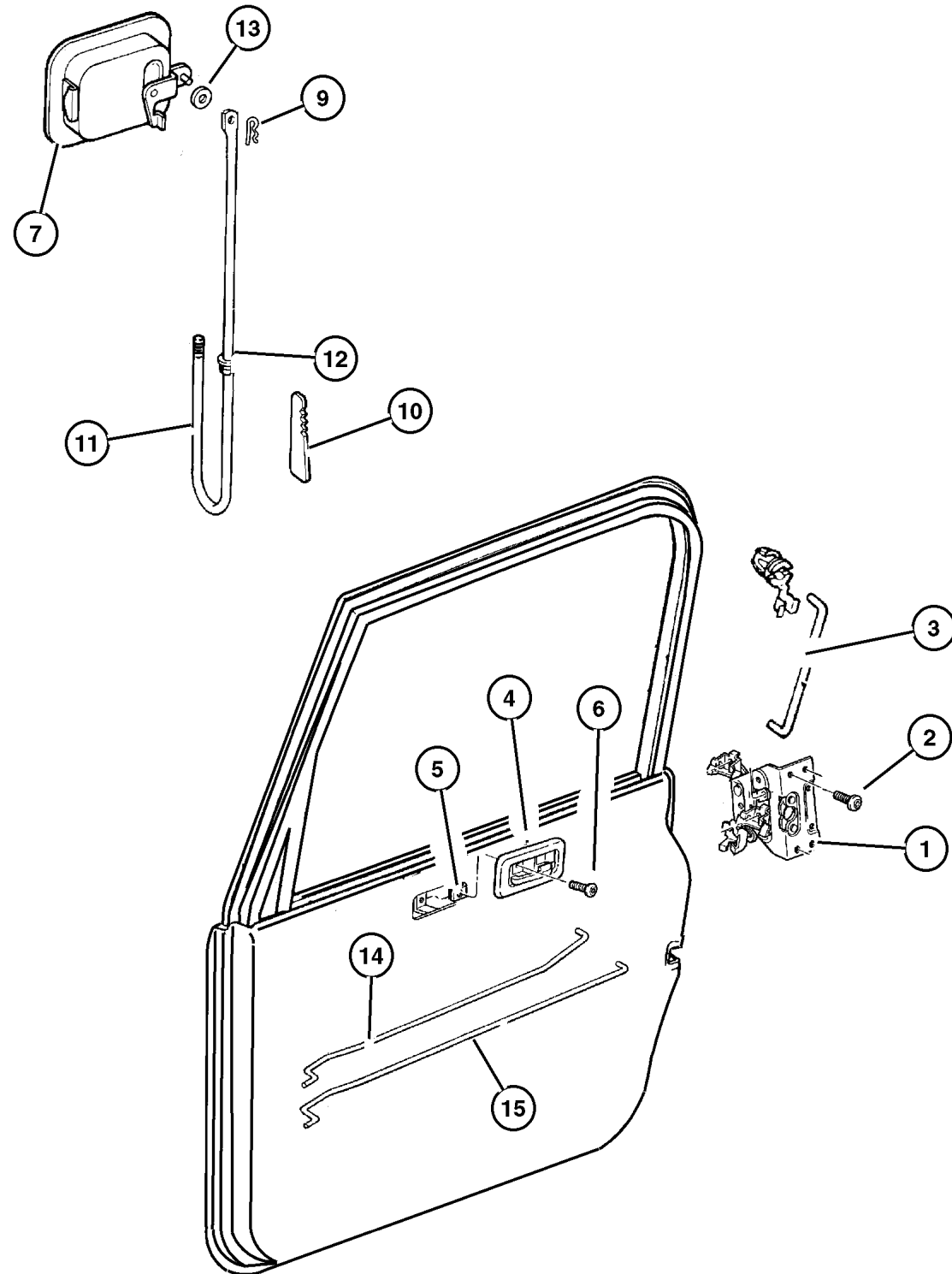
JEEP WRANGLER (TJ)

SERIES	LINE	BODY	ENGINE	TRANSMISSION
L=Low Line	J = Wrangler 4WD U = Wrangler 4WD (RHD)	77 = 93.4 WB	EPE, EP0 = 2.5L Power Tech ERH, ER0 = 4.0L Power Tech	DGG, DGD = 32RH 3 Spd. Auto. DDQ = 5 Spd. Manual DG0 = All Auto. Trans. DBB =All Manual Trans.

AR = Use as required - = Non illustrated part # = New this model year

June 7, 2002

Door, Full Front Lock And Controls 1999 TJ
Figure DTJ-130



ITEM	PART NUMBER	QTY	LINE	SERIES	BODY	DESCRIPTION
1						LATCH, Front Door
	55075 990AC	1				Right
	55075 991AC	1				Left
2	6033 876	6				SCREW, Tapping, M6.3x1.8x38.1, Latch
3	5507 5989	2				LINK, Latch Locking
4						HANDLE, Inside Release
	55176 476AB	1				Right
	55176 477AB	1				Left
5	6503 998	2				NUT, U Multi Thread, M5 x .80
6	6505 026AA	2				SCREW, M5x16, Remote Control
7						HANDLE, Exterior Door
	#55176 382AE	1				Right
	#55176 383AE	1				Left
-8	6505 026AA	2				SCREW, M5x16
9	J400 5122	2				PIN, Hitch, Exterior Handle Rod
10	5507 6221	4				KEEPER, Outside Handle
11						LINK, Latch Release
	5507 5992	1				Exterior Handle to Latch, Right
	5507 5993	1				Exterior Handle to Latch, Left
12	5517 6399	2				BUSHING, Door Handle
13						WASHER, (NOT SERVICED)
14						LINK, Door Latch
	55176 628AB	1				Right
	55176 629AB	1				Left
15						LINK, Door Latch
	5517 6630	1				Right
	5517 6631	1				Left

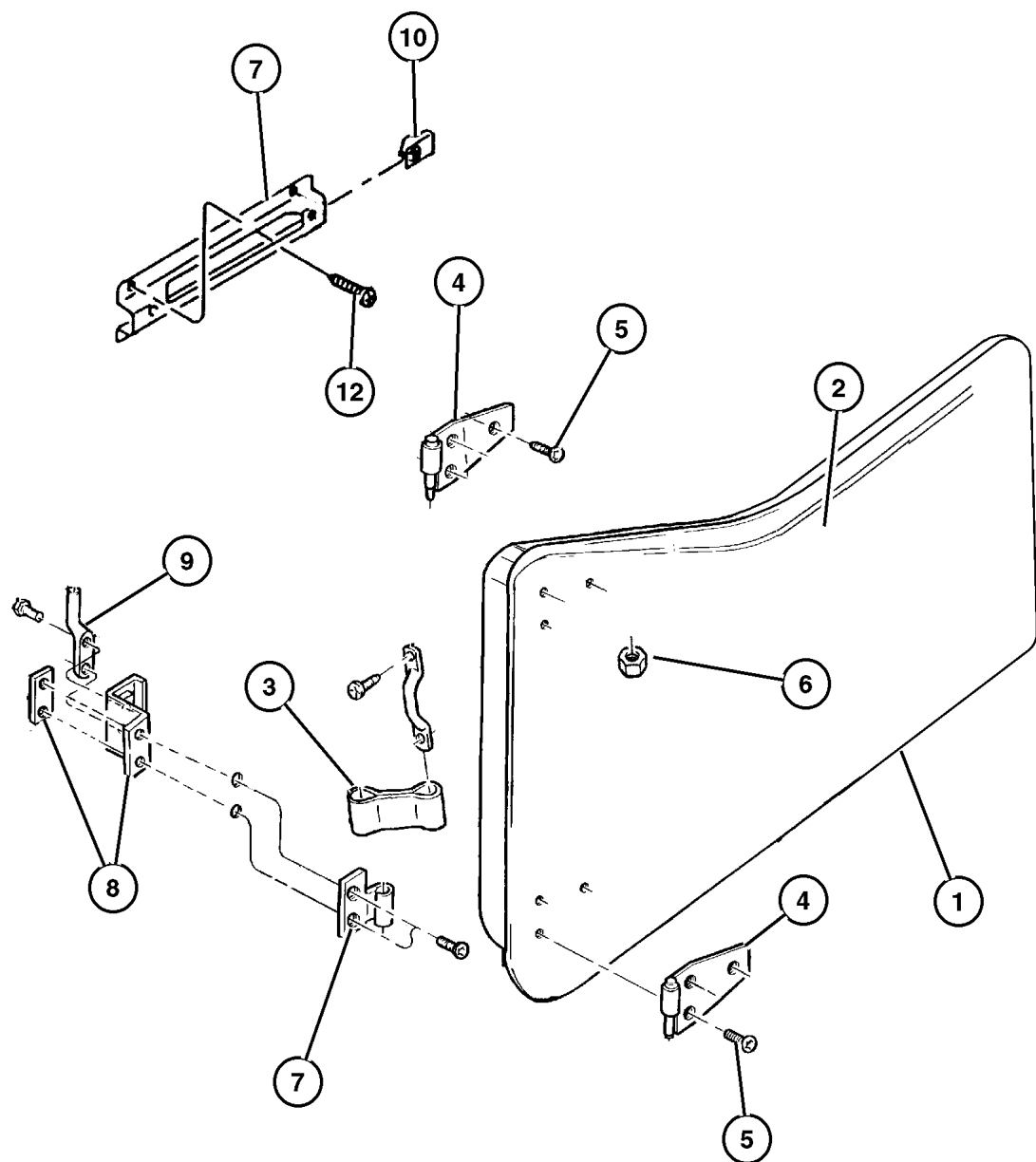
JEEP WRANGLER (TJ)

SERIES	LINE	BODY	ENGINE	TRANSMISSION
L=Low Line	J = Wrangler 4WD U = Wrangler 4WD (RHD)	77 = 93.4 WB	EPE, EP0 = 2.5L Power Tech ERH, ER0 = 4.0L Power Tech	DGG, DGD = 32RH 3 Spd. Auto. DDQ = 5 Spd. Manual DG0 = All Auto. Trans. DBB =All Manual Trans.

AR = Use as required - = Non illustrated part # = New this model year

June 7, 2002

Door, Half Front Shell And Hinges 1997 TJ
Figure DTJ-160



ITEM	PART NUMBER	QTY	LINE	SERIES	BODY	DESCRIPTION
1						DOOR, Front
	5517 4846	1	J		77	Right
		1	U		77	Right
	5517 4847	1	J		77	Left
		1	U		77	Left
2						PANEL, Door Outer
	5517 5196	1				Right
	5517 5197	1				Left
3						CHECK, Front Door
	5517 6339	2	J		77	Check
		2	U		77	Check
4						HINGE, Door Half
	5517 6367	1	J		77	Lower, Left
		1	U		77	Lower, Left
	5517 6368	1	J		77	Upper, Right
		1	U		77	Upper, Right
	5517 6369	1	J		77	Upper, Left
		1	U		77	Upper, Left
	5517 6366	1	J		77	Lower, Right
		1	U		77	Lower, Right
5	6504 443	12				SCREW
6						NUT, Hex, M8x1.25
	6504 417	4	J		77	
		4	U		77	
7						HINGE, Body Half
	5507 5560	1	J		77	Lower, Right
		1	U		77	Lower, Right
	5507 5561	1	J		77	Lower, Left
		1	U		77	Lower, Left
8						TAPPING PLATE, Door Hinge Body Half
	J545 9281	2	J		77	Tapping
		2	U		77	Tapping
9	J545 9286	2				PIN, Restraint Strap
10	6504 993AA	4				NUT
-11	55175 849AB	2				BRACKET, Grab Handle
12						SCREW, (NOT SERVICED)

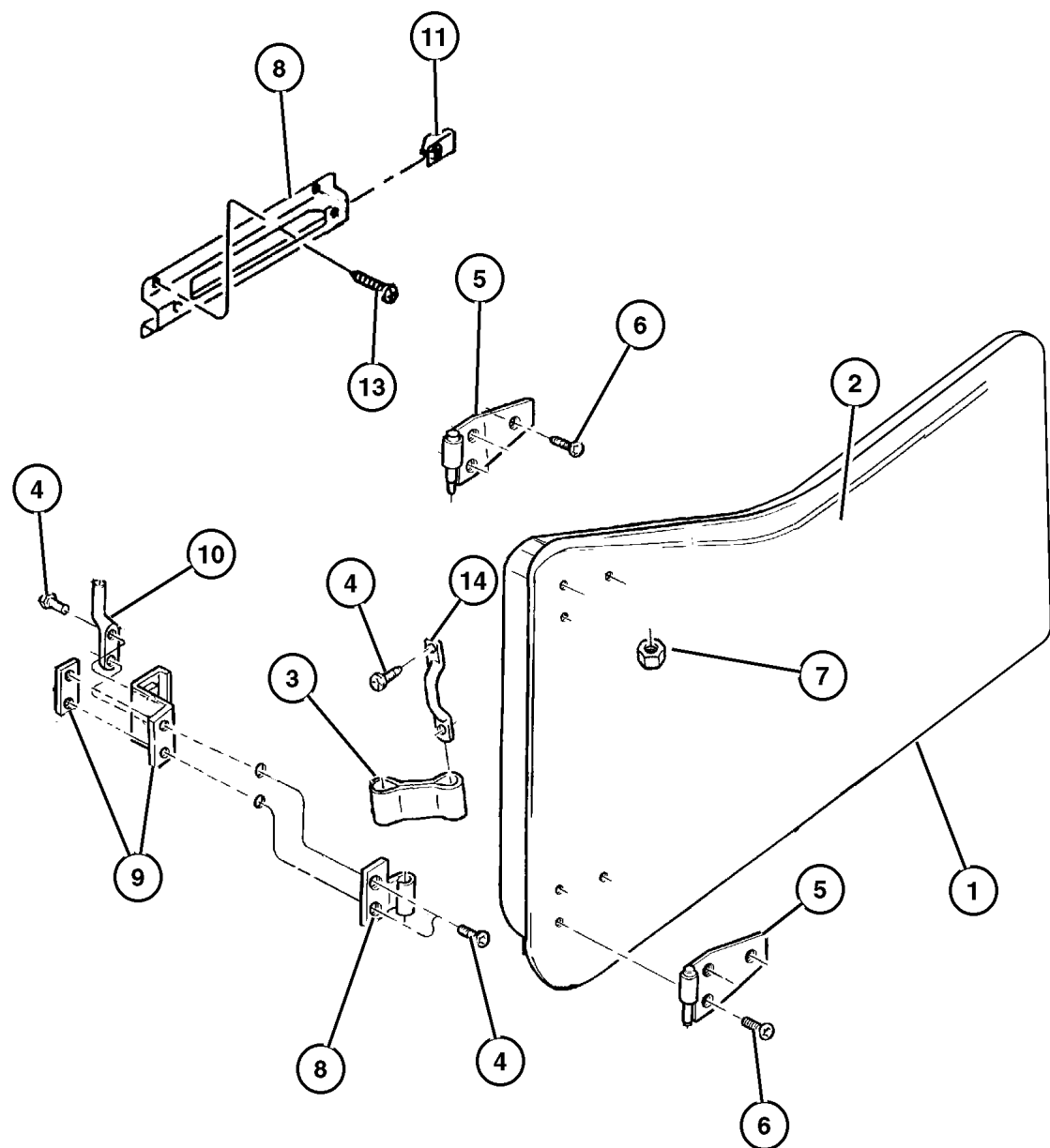
JEEP WRANGLER (TJ)

SERIES	LINE	BODY	ENGINE	TRANSMISSION
L=Low Line	J = Wrangler 4WD U = Wrangler 4WD (RHD)	77 = 93.4 WB	EPE, EP0 = 2.5L Power Tech ERH, ER0 = 4.0L Power Tech	DGG, DGD = 32RH 3 Spd. Auto. DDQ = 5 Spd. Manual DG0 = All Auto. Trans. DBB =All Manual Trans.

AR = Use as required - = Non illustrated part # = New this model year

June 7, 2002

Door, Half Front Shell And Hinges 1998 TJ
Figure DTJ-160

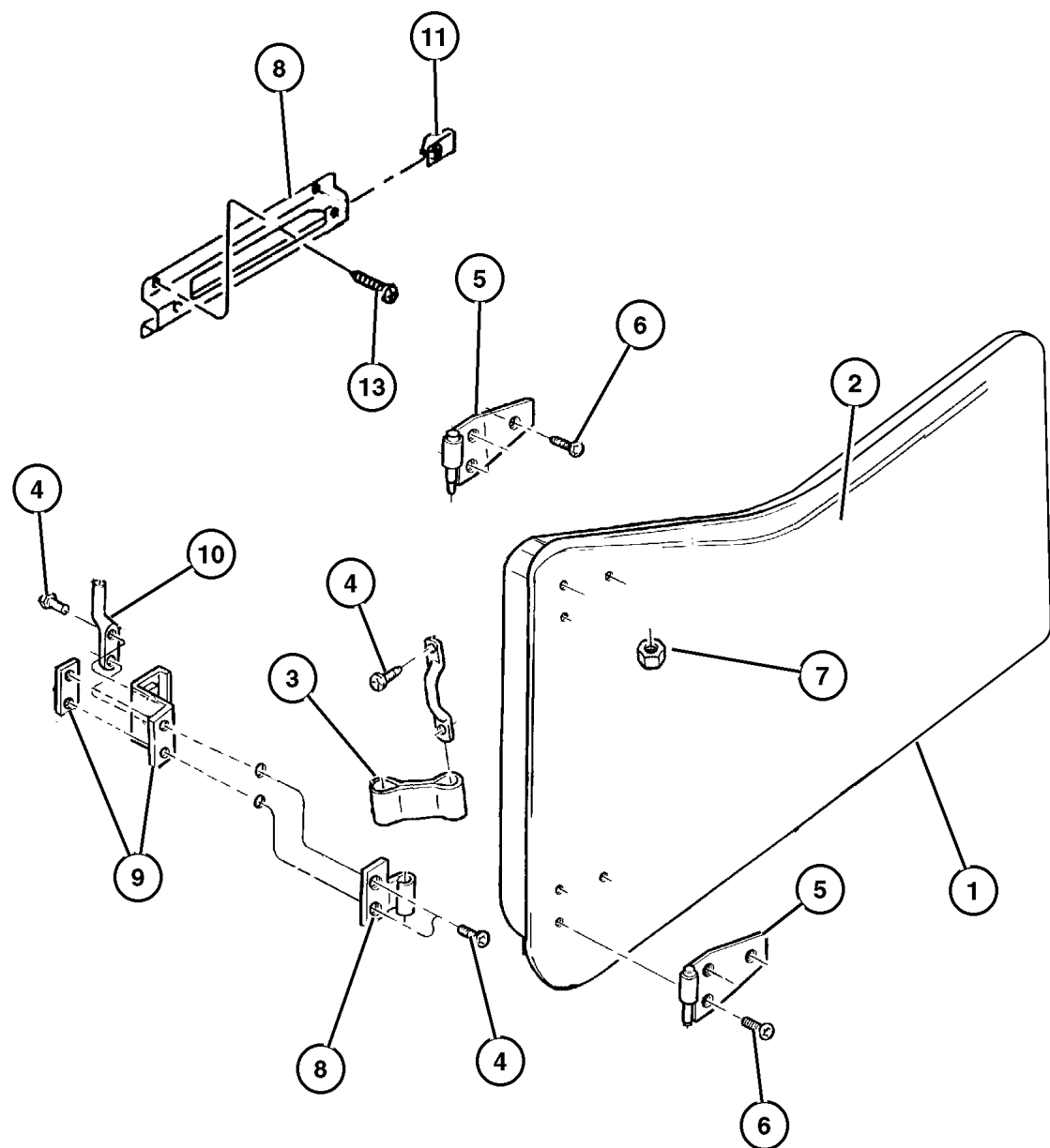


ITEM	PART NUMBER	QTY	LINE	SERIES	BODY	DESCRIPTION
1						DOOR, Front
	5517 4846	1				Right
	5517 4847	1				Left
2						PANEL, Door Outer
	5517 5196	1				Right
	5517 5197	1				Left
3	5517 6339	2				CHECK, Front Door
4	6036 102AA	4				SCREW, .19-24.50
5						HINGE, Door Half
	5517 6366	1				Lower, Right
	5517 6367	1				Lower, Left
	5517 6368	1				Upper, Right
	5517 6369	1				Upper, Left
6	6504 443	12				SCREW
7	6504 417	4				NUT, Hex, M8x1.25
8						HINGE, Body Half
	5507 5560	1				Lower Body Half, Right
	5507 5561	1				Lower Body Half, Left
9	J545 9281	2				TAPPING PLATE, Door Hinge Body Half
10	J545 9286	2				PIN, Restraint Strap
11	6504 993AA	4				NUT
-12	55175 849AB	2				BRACKET, Grab Handle
13						SCREW, (NOT SERVICED)
14	5501 3666	2				FOOTMAN LOOP, Hold Down

JEEP WRANGLER (TJ)

SERIES	LINE	BODY	ENGINE	TRANSMISSION
L=Low Line	J = Wrangler 4WD U = Wrangler 4WD (RHD)	77 = 93.4 WB	EPE, EP0 = 2.5L Power Tech ERH, ER0 = 4.0L Power Tech	DGG, DGD = 32RH 3 Spd. Auto. DDQ = 5 Spd. Manual DG0 = All Auto. Trans. DBB =All Manual Trans.

Door, Half Front Shell And Hinges 1999 TJ
Figure DTJ-160

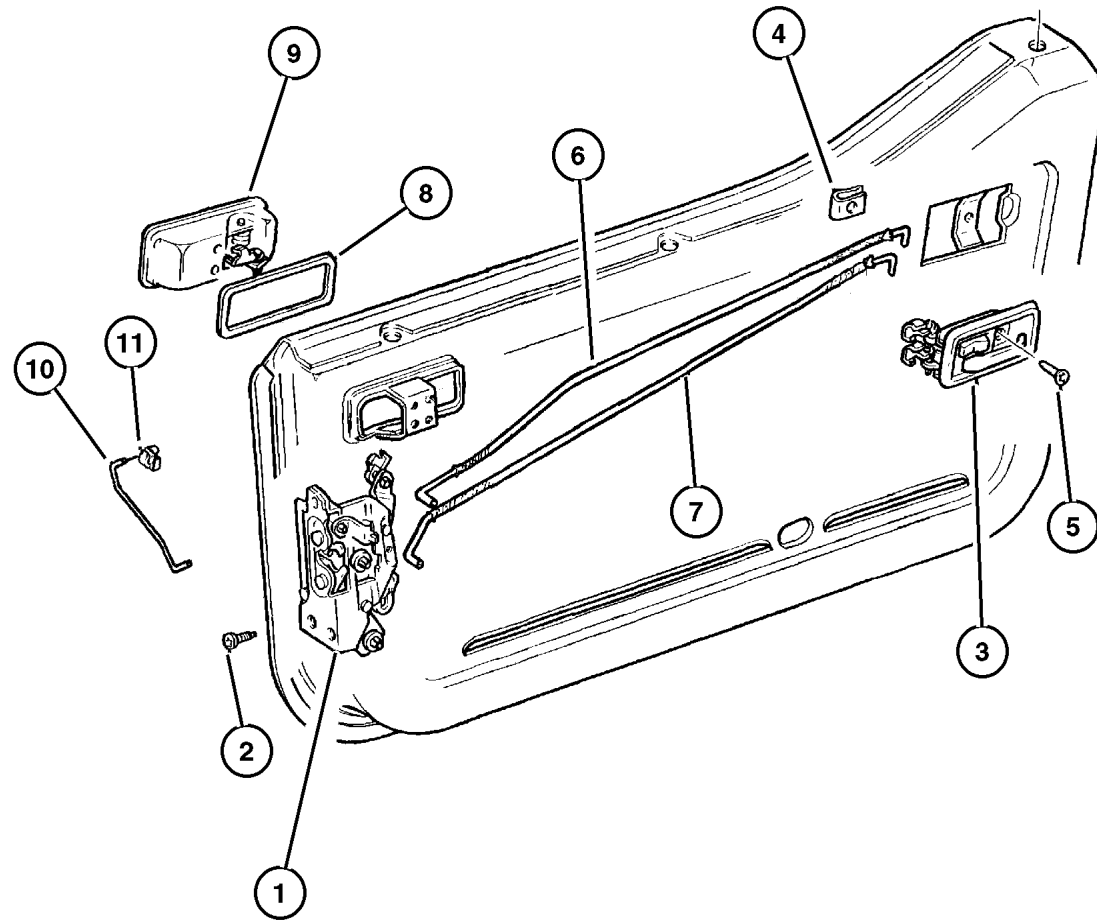


ITEM	PART NUMBER	QTY	LINE	SERIES	BODY	DESCRIPTION
1						DOOR, Front
	5517 4846	1				Right
	5517 4847	1				Left
2						PANEL, Door Outer
	5517 5196	1				Right
	5517 5197	1				Left
3	5517 6339	2				CHECK, Front Door
4	6036 102AA	4				SCREW, .19-24.50
5						HINGE, Door Half
	5517 6366	1				Lower, Right
	5517 6367	1				Lower, Left
	5517 6368	1				Upper, Right
	5517 6369	1				Upper, Left
6	6504 443	12				SCREW
7	6504 417	4				NUT, Hex, M8x1.25
8						HINGE, Body Half
	5507 5560	1				Lower Body Half, Right
	5507 5561	1				Lower Body Half, Left
9	J545 9281	2				TAPPING PLATE, Door Hinge Body Half
10	J545 9286	2				PIN, Restraint Strap
11	6504 993AA	4				NUT
-12	55175 849AC	2				BRACKET, Grab Handle
13						SCREW, (NOT SERVICED)

JEEP WRANGLER (TJ)

SERIES	LINE	BODY	ENGINE	TRANSMISSION
L=Low Line	J = Wrangler 4WD U = Wrangler 4WD (RHD)	77 = 93.4 WB	EPE, EP0 = 2.5L Power Tech ERH, ER0 = 4.0L Power Tech	DGG, DGD = 32RH 3 Spd. Auto. DDQ = 5 Spd. Manual DG0 = All Auto. Trans. DBB =All Manual Trans.

Door, Half Front Lock And Controls 1997 TJ
Figure DTJ-170



ITEM	PART NUMBER	QTY	LINE	SERIES	BODY	DESCRIPTION
1						LATCH, Front Door
	5507 5982	1	J		77	Door, Right
		1	U		77	Door, Right
	5507 5983	1	J		77	Door, Left
		1	U		77	Door, Left
2	6033 876	6				SCREW, Tapping, M6.3x1.8x38.1, Latch
3						HANDLE, Inside Release
	55176 476AB	1				Right
	55176 477AB	1				Left
4						LINK, Latch Locking
	5507 5974	2	J		77	Cylinder to Latch
		2	U		77	Cylinder to Latch
5	6505 026AA	2				SCREW, M5x16
6						LINK, Latch Release
	5507 5978	1	J		77	Inside Release to Latch, Right
		1	U		77	Inside Release to Latch, Right
	5507 5979	1	J		77	Left
		1	U		77	Left
7						LINK, Latch Locking
	5507 5970	1	J		77	Inside Locking to Latch, Right
		1	U		77	Inside Locking to Latch, Right
	5507 5971	1	J		77	Inside Locking to Latch, Left
		1	U		77	Inside Locking to Latch, Left
8	J374 3608	2				SEAL, Handle, Exterior Handle
9						HANDLE, Exterior Door
	5517 6548	1				Right
	5517 6549	1				Left
10						LINK, Latch Release
	5507 5976	1	J		77	Exterior Handle to Latch, Right
		1	U		77	Exterior Handle to Latch, Right
	5507 5977	1	J		77	Exterior Handle to Latch, Left
		1	U		77	Exterior Handle to Latch, Left
11	6503 998	2				NUT, U Multi Thread, M5 x .80

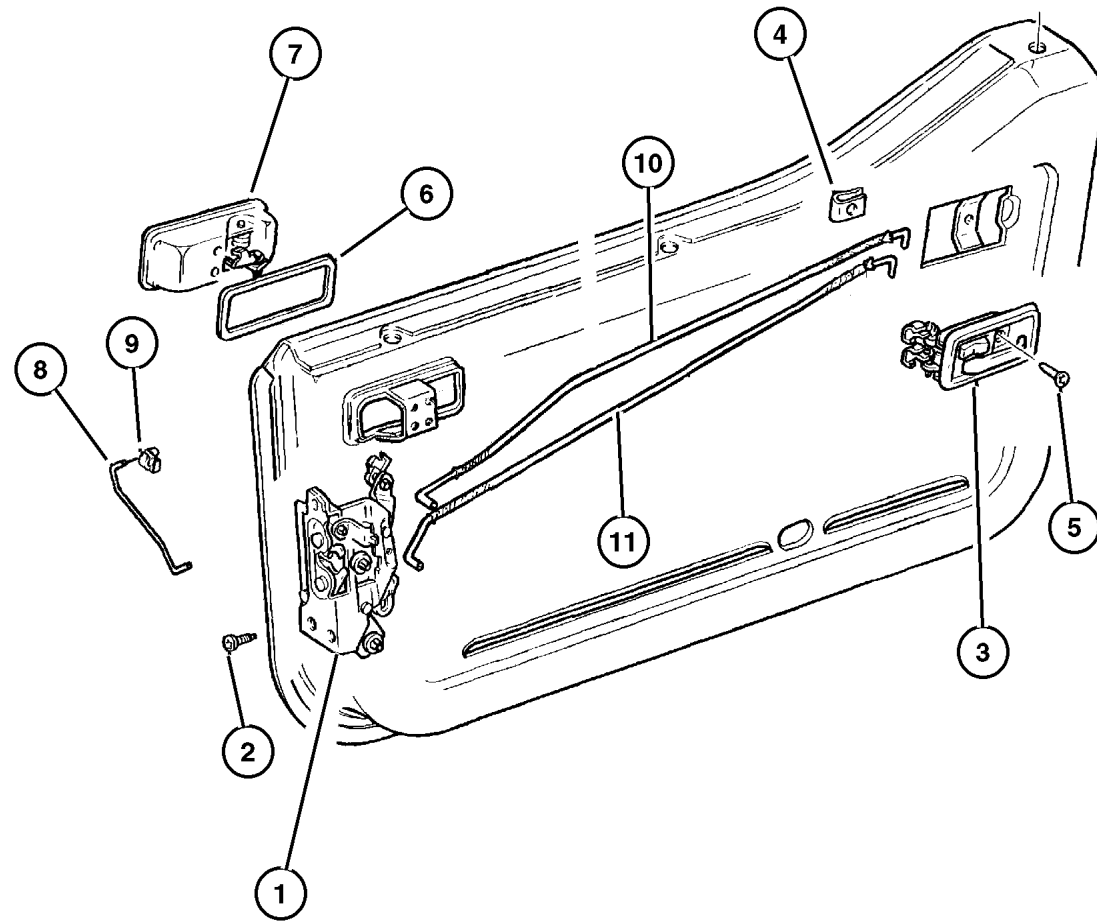
JEEP WRANGLER (TJ)

SERIES	LINE	BODY	ENGINE	TRANSMISSION
L=Low Line	J = Wrangler 4WD U = Wrangler 4WD (RHD)	77 = 93.4 WB	EPE, EP0 = 2.5L Power Tech ERH, ER0 = 4.0L Power Tech	DGG, DGD = 32RH 3 Spd. Auto. DDQ = 5 Spd. Manual DG0 = All Auto. Trans. DBB =All Manual Trans.

AR = Use as required - = Non illustrated part # = New this model year

June 7, 2002

Door, Half Front Lock And Controls 1998 TJ
Figure DTJ-170



ITEM	PART NUMBER	QTY	LINE	SERIES	BODY	DESCRIPTION
1						LATCH, Front Door
	5507 5982	1				Right
	5507 5983	1				Left
2	6033 876	6				SCREW, Tapping, M6.3x1.8x38.1, Latch
3						HANDLE, Inside Release
	55176 476AB	1				Right
	55176 477AB	1				Left
4	55075 974AB	2				LINK, Latch Locking, Cylinder to Latch
5	6505 026AA	2				SCREW, M5x16
6	J374 3608	2				SEAL, Handle, Exterior Handle
7						HANDLE, Exterior Door
	55176 548AB	1				Right
	55176 549AB	1				Left
8						LINK, Latch Release
	5507 5976	1				Right
	5507 5977	1				Left
9	6503 998	2				NUT, U Multi Thread, M5 x .80
10						LINK, Door Latch
	5517 6626	1				Right
	5517 6627	1				Left
11						LINK, Door Latch
	5517 6624	1				Right
	5517 6625	1				Left

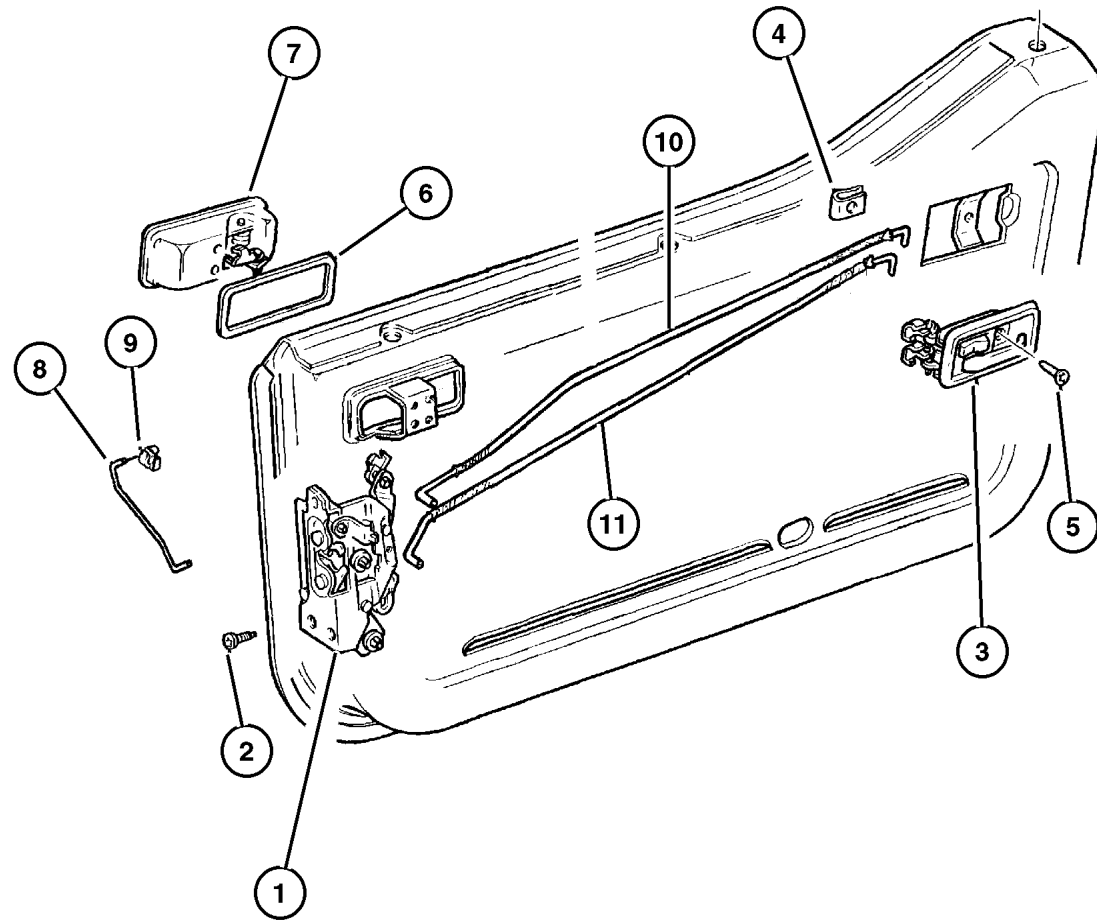
JEEP WRANGLER (TJ)

SERIES	LINE	BODY	ENGINE	TRANSMISSION
L=Low Line	J = Wrangler 4WD U = Wrangler 4WD (RHD)	77 = 93.4 WB	EPE, EP0 = 2.5L Power Tech ERH, ER0 = 4.0L Power Tech	DGG, DGD = 32RH 3 Spd. Auto. DDQ = 5 Spd. Manual DG0 = All Auto. Trans. DBB =All Manual Trans.

AR = Use as required - = Non illustrated part # = New this model year

June 7, 2002

Door, Half Front Lock And Controls 1999 TJ
Figure DTJ-170



ITEM	PART NUMBER	QTY	LINE	SERIES	BODY	DESCRIPTION
1						LATCH, Front Door
	5507 5982	1				Right
	5507 5983	1				Left
2	6033 876	6				SCREW, Tapping, M6.3x1.8x38.1, Latch
3						HANDLE, Inside Release
	55176 476AB	1				Right
	55176 477AB	1				Left
4	55075 974AB	2				LINK, Latch Locking
5	6505 026AA	2				SCREW, M5x16
6	J374 3608	2				SEAL, Handle, Exterior Handle
7						HANDLE, Exterior Door
	55176 548AB	1				Right
	55176 549AB	1				Left
8						LINK, Latch Release
	5507 5976	1				Right
	5507 5977	1				Left
9	6503 998	2				NUT, U Multi Thread, M5 x .80
10						LINK, Door Latch
	5517 6626	1				Right
	5517 6627	1				Left
11						LINK, Door Latch
	5517 6624	1				Right
	5517 6625	1				Left

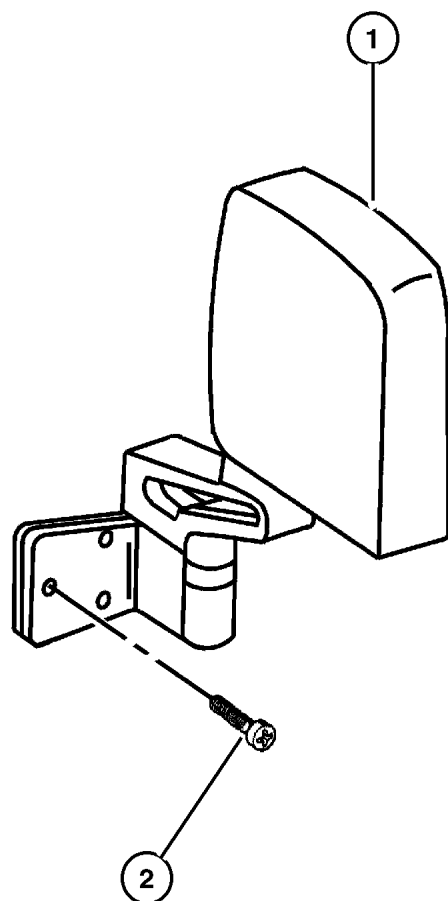
JEEP WRANGLER (TJ)

SERIES	LINE	BODY	ENGINE	TRANSMISSION
L=Low Line	J = Wrangler 4WD U = Wrangler 4WD (RHD)	77 = 93.4 WB	EPE, EP0 = 2.5L Power Tech ERH, ER0 = 4.0L Power Tech	DGG, DGD = 32RH 3 Spd. Auto. DDQ = 5 Spd. Manual DG0 = All Auto. Trans. DBB =All Manual Trans.

AR = Use as required - = Non illustrated part # = New this model year

June 7, 2002

Mirror, Exterior Figure DTJ-510



ITEM	PART NUMBER	QTY	LINE	SERIES	BODY	DESCRIPTION
J=Dana 35 Rear Axle---DRK=Dana 44 Rear Axle						
Note: Sales Code GSE = Mirror Right J=Dana 35 Rear Axle---DRK=Dana 44 Rear Axle						
Note: Sales Code GRE = Mirror Left J=Dana 35 Rear Axle---DRK=Dana 44 Rear Axle						
Note: Sales Code GSV = Mirror Right Manual J=Dana 35 Rear Axle---DRK=Dana 44 Rear Axle						
Note: Sales Code GRV = Mirror Left Manual J=Dana 35 Rear Axle---DRK=Dana 44 Rear Axle						
1						MIRROR, Outside Rearview
	5515 4880	1				GSE, 1997 TJ, 1998 TJ, Right
	5515 4881	1				GRE, 1997 TJ, 1998 TJ, Left
	5515 4882	1	J			GSV, Right
	5515 4883	1	J			GRV, Left
	5515 5044	1	U			GSV, 1997 TJ, Right
	5515 5045	1	U			GRV, 1997 TJ, Left
	5515 5588	1	J			Middle East, Right
	5515 5589	1	J			Middle East, Left
2	6034 566	6				SCREW, Tapping Flange Head, .25-20x.875, Mirror

JEEP WRANGLER (TJ)

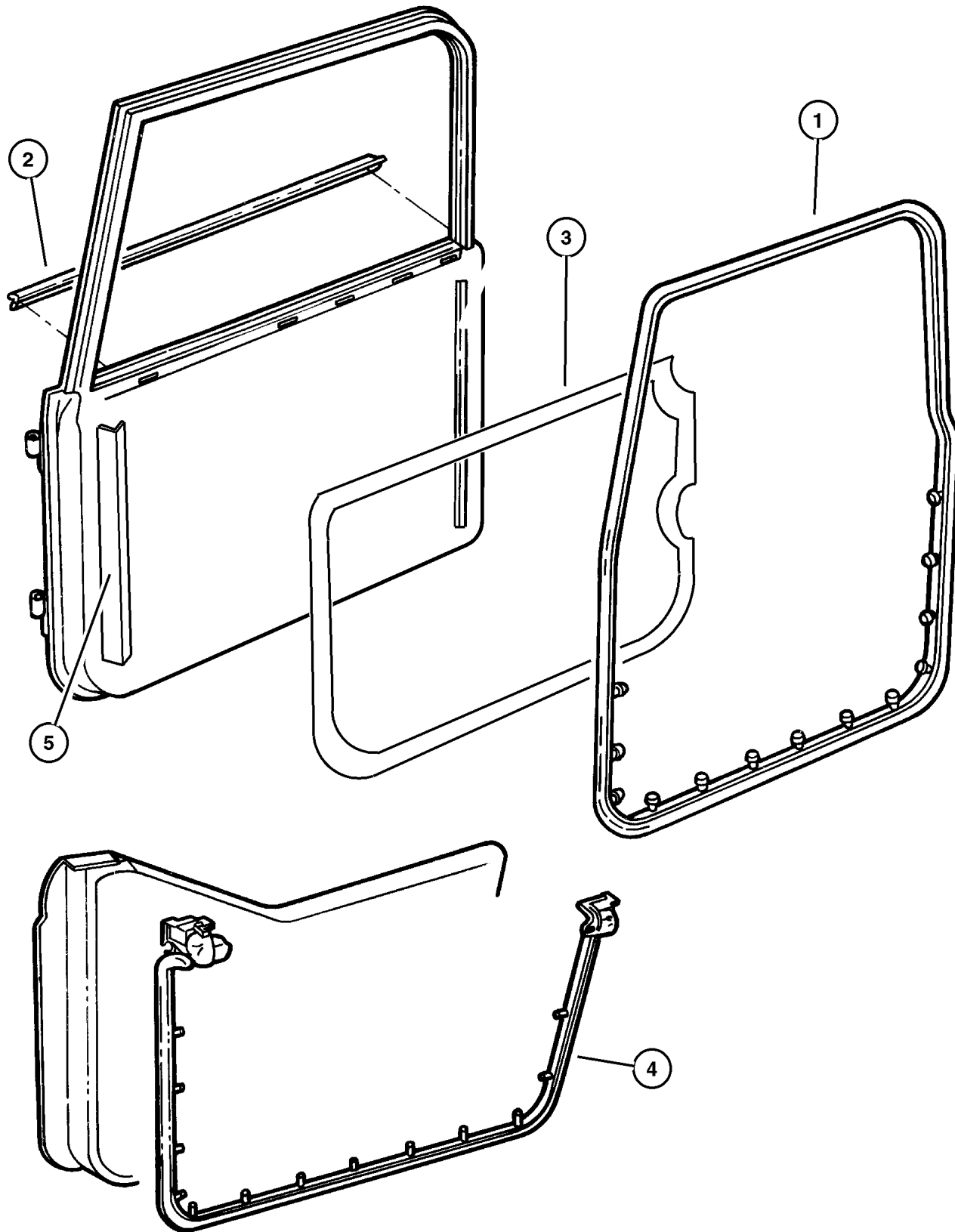
SERIES	LINE	BODY	ENGINE	TRANSMISSION
L=Low Line	J = Wrangler 4WD U = Wrangler 4WD (RHD)	77 = 93.4 WB	EPE, EP0 = 2.5L Power Tech ERH, ER0 = 4.0L Power Tech	DGG, DGD = 32RH 3 Spd. Auto. DDQ = 5 Spd. Manual DG0 = All Auto. Trans. DBB =All Manual Trans.

AR = Use as required - = Non illustrated part # = New this model year

June 7, 2002

**Door Weatherstrips And Runs 1997 TJ
Figure DTJ-610**

ITEM	PART NUMBER	QTY	LINE	SERIES	BODY	DESCRIPTION
1	55176 514AE	1				WEATHERSEAL, Full Door To Body Right
	55176 515AE	1				Left
2	5517 6564	1				WEATHERSTRIP, Door Belt Right
	5517 6565	1				Left
3	55175 786AB	1				WATERDAM, Front Door Right
	55175 787AB	1				Left
4	55254 894AC	1				WEATHERSTRIP, Front Door Right
	55254 895AC	1				Left
5						WEATHERSTRIP, Glass Channel Run
	5517 5226	2	J		77	Weatherstrip
		2	U		77	Weatherstrip
	5517 5750	2	J		77	Channel
		2	U		77	Channel



JEEP WRANGLER (TJ)

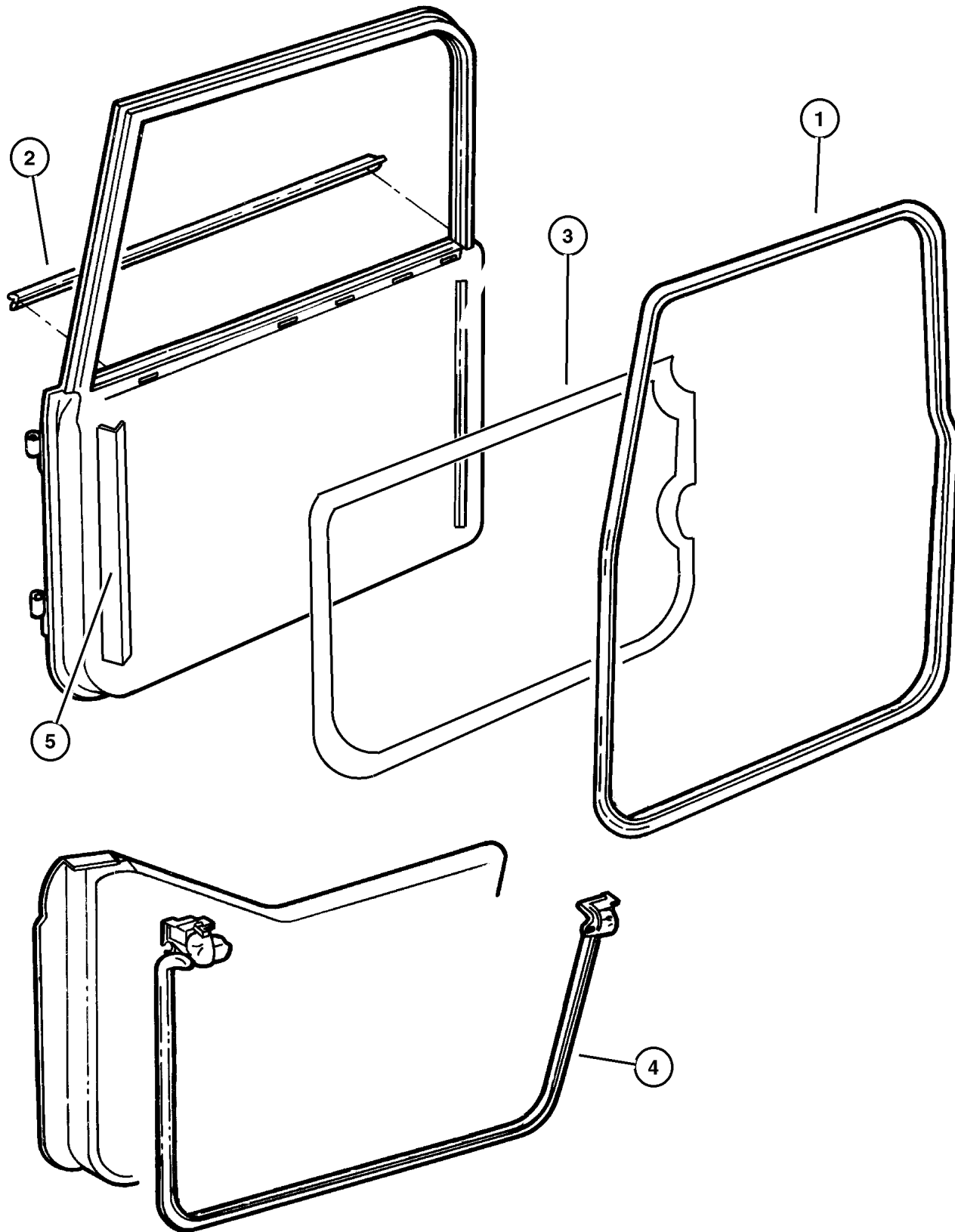
SERIES	LINE	BODY	ENGINE	TRANSMISSION
L=Low Line	J = Wrangler 4WD U = Wrangler 4WD (RHD)	77 = 93.4 WB	EPE, EP0 = 2.5L Power Tech ERH, ER0 = 4.0L Power Tech	DGG, DGD = 32RH 3 Spd. Auto. DDQ = 5 Spd. Manual DG0 = All Auto. Trans. DBB =All Manual Trans.

AR = Use as required - = Non illustrated part # = New this model year

June 7, 2002

**Door Weatherstrips And Runs 1998 TJ
Figure DTJ-610**

ITEM	PART NUMBER	QTY	LINE	SERIES	BODY	DESCRIPTION
1						WEATHERSEAL, Full Door To Body
	55176 514AE	1				Right
	55176 515AE	1				Left
2						WEATHERSTRIP, Door Belt
	5517 6564	1				Right
	5517 6565	1				Left
3	55175 787AB	1				WATERDAM, Front Door, Left
4						WEATHERSTRIP, Front Door
	55254 894AC	1				Right
	55254 895AC	1				Left
5						WEATHERSTRIP, Glass Channel Run
	55175 226AB	2				Weatherstrip
	55175 750AB	2				Channel



JEEP WRANGLER (TJ)

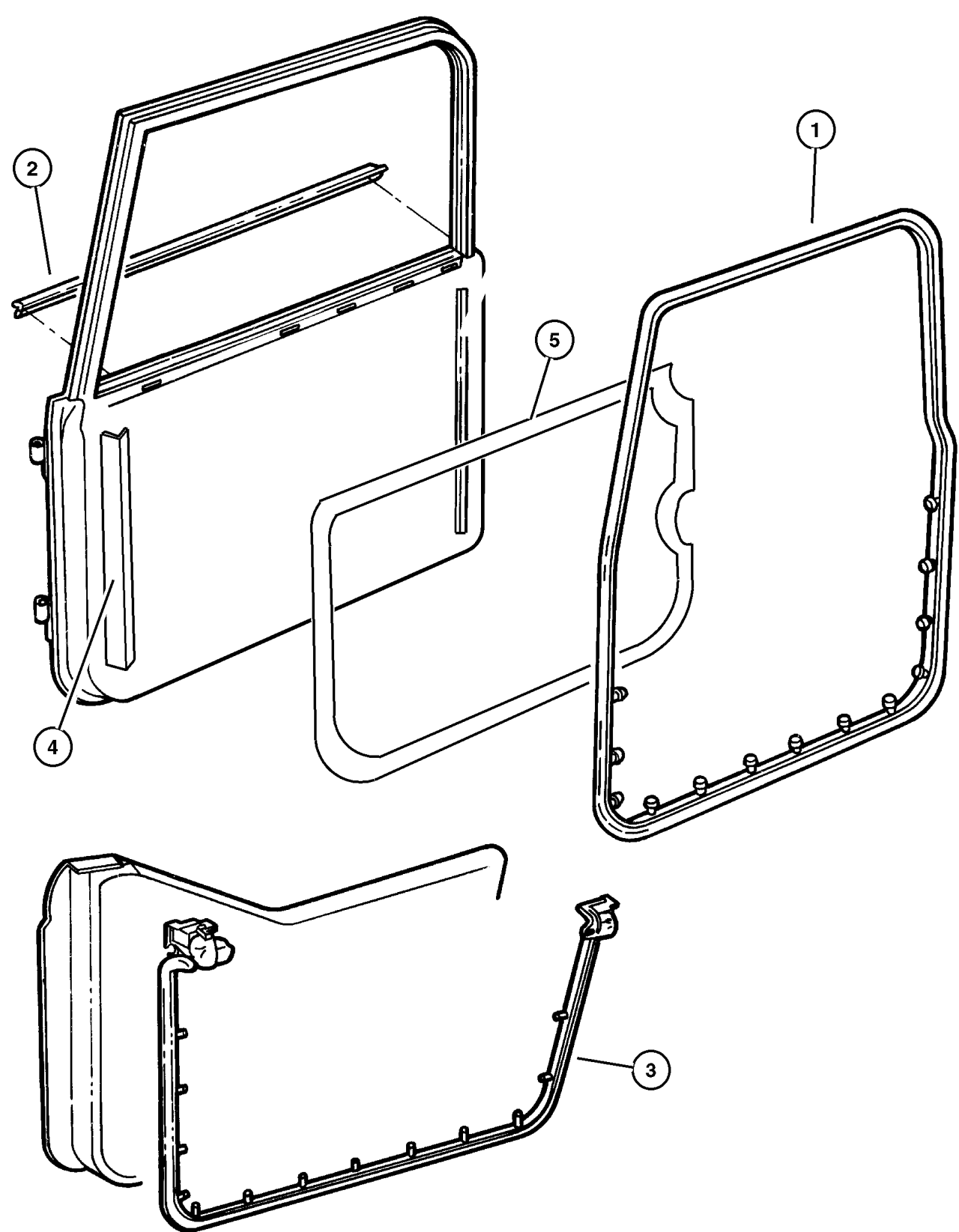
SERIES	LINE	BODY	ENGINE	TRANSMISSION
L=Low Line	J = Wrangler 4WD U = Wrangler 4WD (RHD)	77 = 93.4 WB	EPE, EP0 = 2.5L Power Tech ERH, ER0 = 4.0L Power Tech	DGG, DGD = 32RH 3 Spd. Auto. DDQ = 5 Spd. Manual DG0 = All Auto. Trans. DBB =All Manual Trans.

AR = Use as required - = Non illustrated part # = New this model year

June 7, 2002

**Door Weatherstrips And Runs 1999 TJ
Figure DTJ-610**

ITEM	PART NUMBER	QTY	LINE	SERIES	BODY	DESCRIPTION
1	55176 514AF	1				WEATHERSEAL, Full Door To Body Right
	55176 515AF	1				Left
2	55176 564AC	1				WEATHERSTRIP, Door Belt Right
	55176 565AC	1				Left
3	55254 894AF	1				WEATHERSTRIP, Front Door Right
	55254 895AF	1				Left
4	55175 226AB	2				WEATHERSTRIP, Glass Channel Run Weatherstrip
	55175 750AB	2				Channel
5	#55175 786AD	1				WATERSHIELD, Front Door Right
	#55175 787AD	1				Left



JEEP WRANGLER (TJ)
 SERIES LINE BODY ENGINE TRANSMISSION
 L=Low Line J = Wrangler 4WD 77 = 93.4 WB EPE, EP0 = 2.5L Power Tech DGG, DGD = 32RH 3 Spd. Auto.
 U = Wrangler 4WD (RHD) ERH, ER0 = 4.0L Power Tech DDQ = 5 Spd. Manual
 DG0 = All Auto. Trans.
 DBB =All Manual Trans.

AR = Use as required - = Non illustrated part # = New this model year

June 7, 2002

Group – ETJ

Exterior Ornamentation

GROUP ETJ - Exterior Ornamentation

Illustration Title

Group-Fig. No.

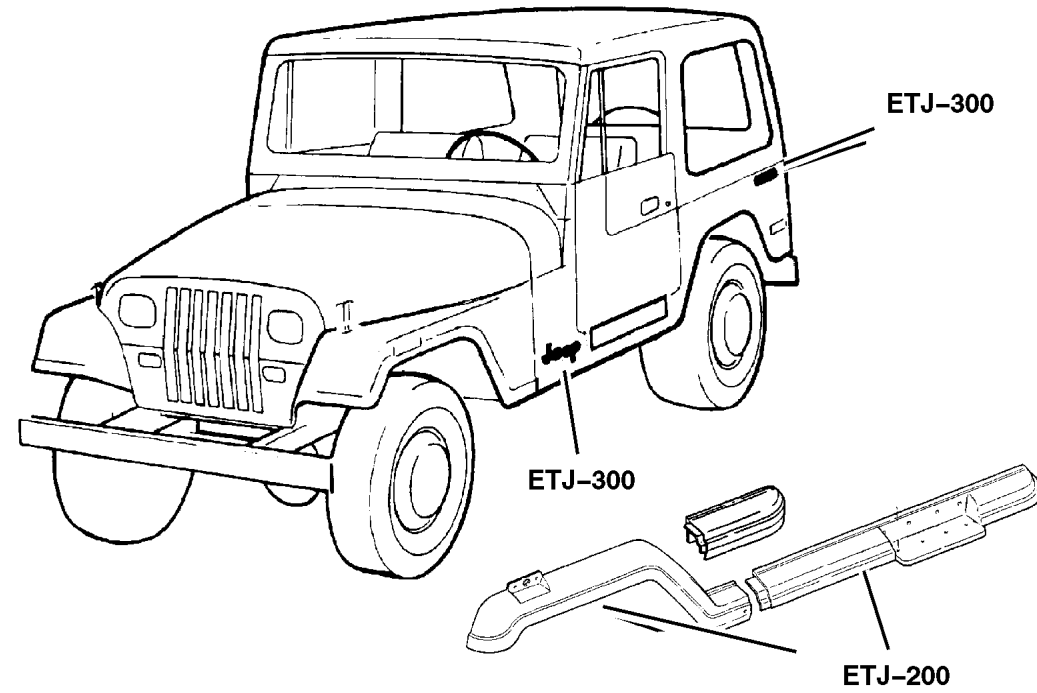
Moldings and Ornamentation

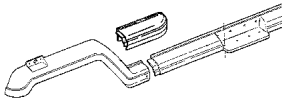
Moldings Fig. ETJ-210

Decals and Tapestripes

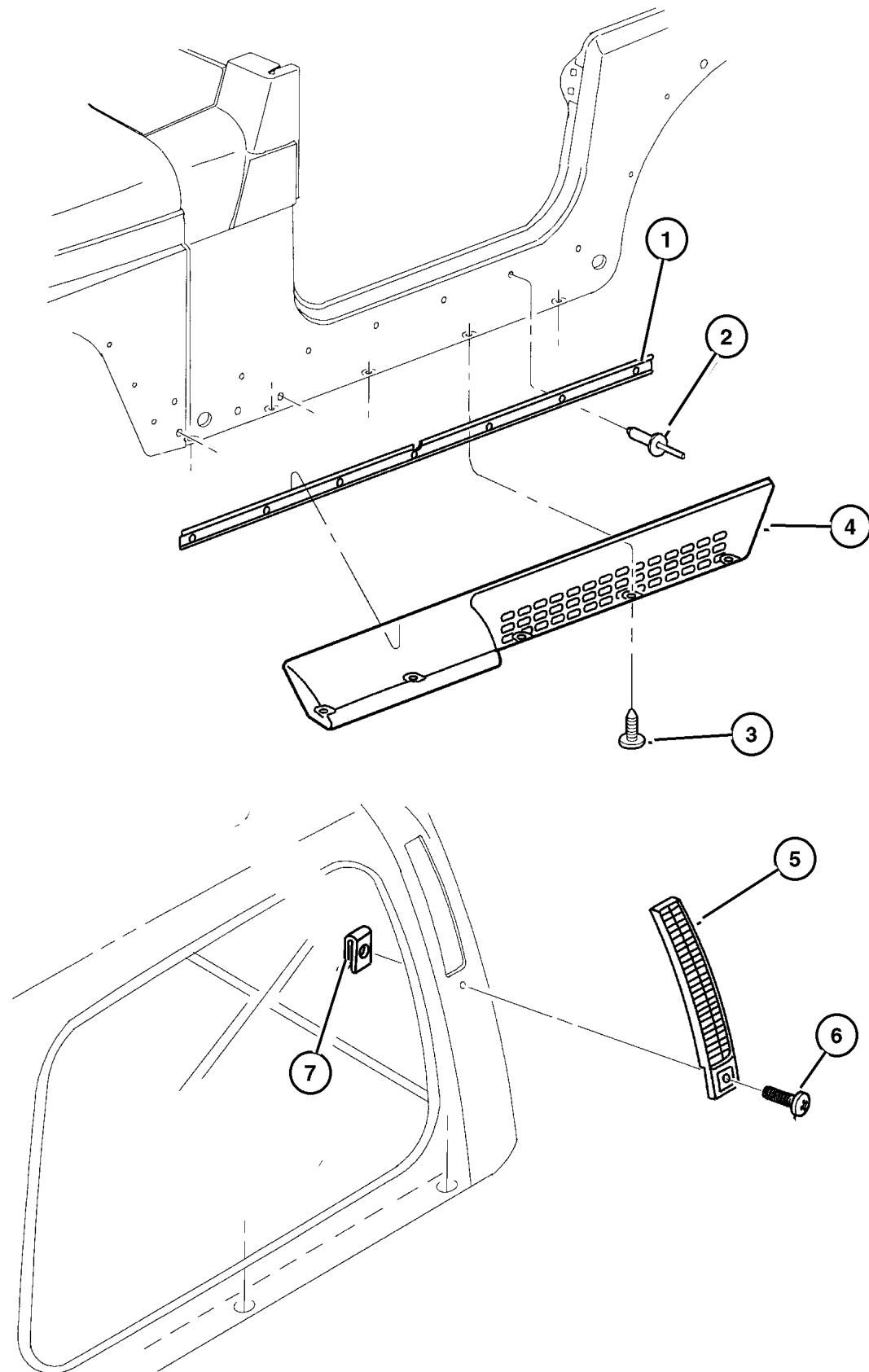
Decals 1997 TJ 1998 TJ Fig. ETJ-310

Decals 1999 TJ Fig. ETJ-310



<p>ETJ-200 Moldings and Ornamentation</p> 	<p>ETJ-300 Decals and Tapestripes</p> <p>JEEP</p> <p>WRANGLER</p>		
--	--	--	--

Mouldings Figure ETJ-210



ITEM	PART NUMBER	QTY	LINE	SERIES	BODY	DESCRIPTION
1						RAIL, Sill Molding Hanger
	5517 4995	2	J		77	1997 TJ
	55174 995AB	2				1998 TJ, 1999 TJ
2	3420 1597	14				RIVET, Dome Head Blind, .1875x.625
3						PIN, Retainer
	6030 441	2				1997 TJ
		2	J			1998 TJ, 1999 TJ
4						MOLDING, Body Side, Service Dealer Paint
	5DS7 6TX8	1				Lower Sill, 1997 TJ, 1999 TJ, Right
		1				1998 TJ, Right
	5DS7 7TX8	1				1997 TJ, 1998 TJ, Left
		1				Lower Sill, 1999 TJ, Left
5						EXHAUSTER, Front Door
	5503 6306	1	J		77	Air, 1997 TJ, Right
		1				1998 TJ, 1999 TJ, Right
	5503 6307	1	J		77	1997 TJ, Left
		1				1998 TJ, 1999 TJ, Left
6						SCREW, (NOT SERVICED)
7						NUT, (NOT SERVICED)

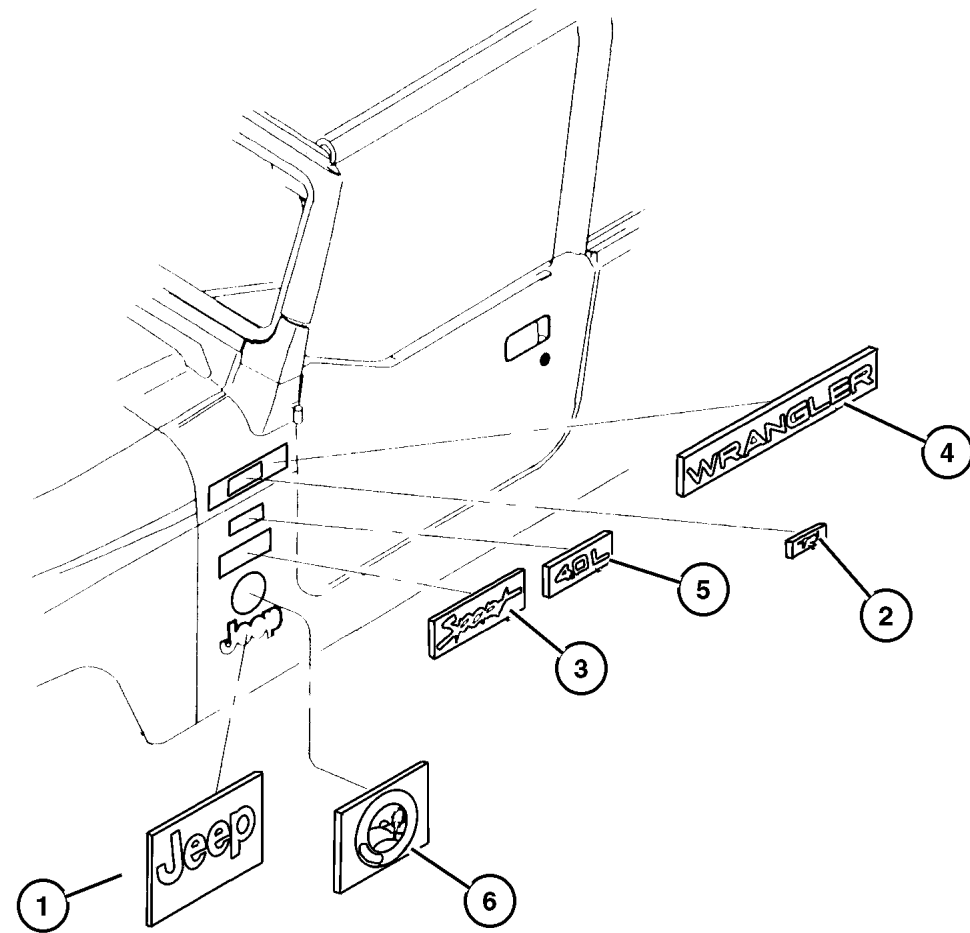
JEEP WRANGLER (TJ)

SERIES	LINE	BODY	ENGINE	TRANSMISSION
L=Low Line	J = Wrangler 4WD U = Wrangler 4WD (RHD)	77 = 93.4 WB	EPE, EP0 = 2.5L Power Tech ERH, ER0 = 4.0L Power Tech	DGG, DGD = 32RH 3 Spd. Auto. DDQ = 5 Spd. Manual DG0 = All Auto. Trans. DBB =All Manual Trans.

AR = Use as required - = Non illustrated part # = New this model year

June 7, 2002

Decals 1997 TJ 1998 TJ
Figure ETJ-310



ITEM	PART NUMBER	QTY	LINE	SERIES	BODY	DESCRIPTION
1						DECAL, Bodyside, JEEP
	5FC8 4TA2	2				[KWP]
	5FC8 4TA9	2				[KWR]
2						DECAL
	5FE5 6TA2	2				[KVP]
	5FE5 6TA9	2				[KVR]
3						DECAL, Bodyside, SPORT
	5FC8 1TC4	2				[KFC]
	5FC8 1TW1	2				[KFW]
4						DECAL, Bodyside, Wrangler
	5FC8 3TA2	2				[KXP]
	5FC8 3TA9	2				[KXR]
5						DECAL, 4.0L High Output
	5FC8 5TA2	2				[KYP]
	5FC8 5TA9	2				[KYR]
6	5FE5 2TVJ	2				DECAL, Sahara, [KBJ]
-7	5515 5566	2				PROTECTOR, Door Opening, Lower Door

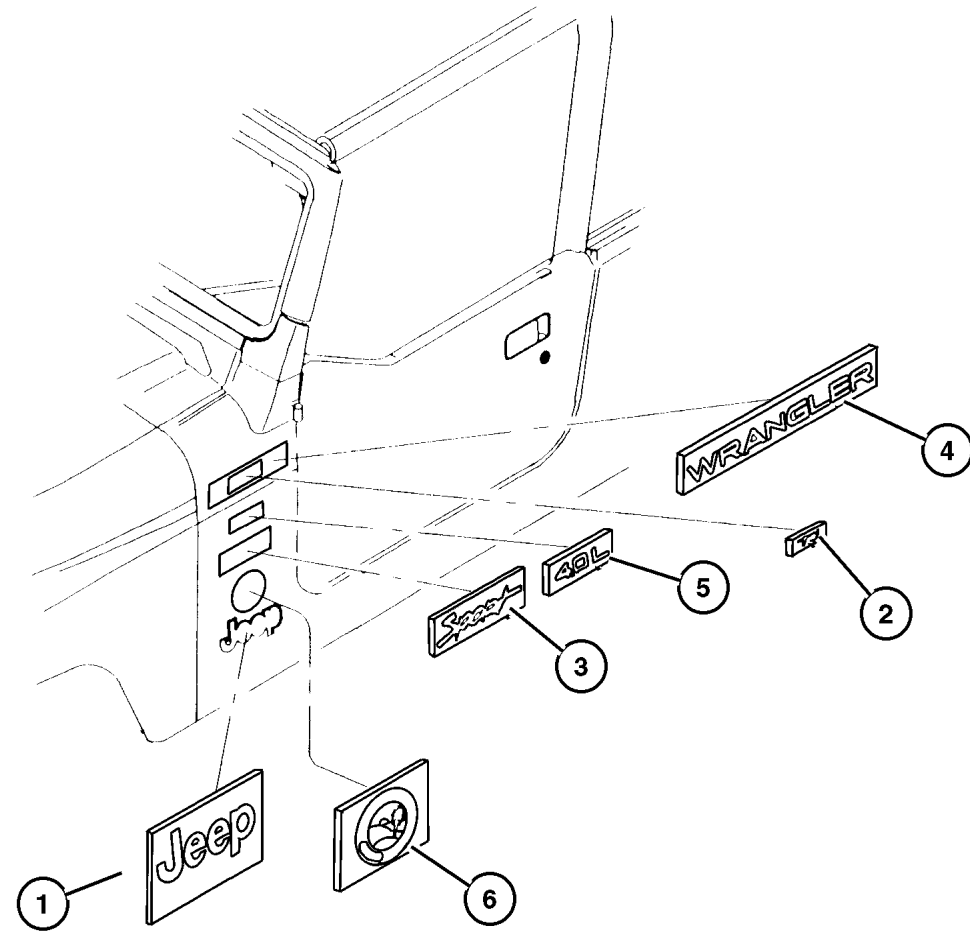
JEEP WRANGLER (TJ)

SERIES	LINE	BODY	ENGINE	TRANSMISSION
L=Low Line	J = Wrangler 4WD U = Wrangler 4WD (RHD)	77 = 93.4 WB	EPE, EP0 = 2.5L Power Tech ERH, ER0 = 4.0L Power Tech	DGG, DGD = 32RH 3 Spd. Auto. DDQ = 5 Spd. Manual DG0 = All Auto. Trans. DBB =All Manual Trans.

AR = Use as required - = Non illustrated part # = New this model year

June 7, 2002

Decals 1999 TJ
Figure ETJ-310



ITEM	PART NUMBER	QTY	LINE	SERIES	BODY	DESCRIPTION
1						DECAL, Bodyside, JEEP
	5FC8 4TA2	2				[KWP]
	5FC8 4TA9	2				[KWR]
2						DECAL
	5FE5 6TA2	2				[KVP]
	5FE5 6TA9	2				[KVR]
3						DECAL, Bodyside, SPORT
	5FC8 1HA2	2				[KFP]
	5FC8 1HA9	2				[KFR]
4						DECAL, Bodyside, Wrangler
	5FC8 3TA2	2				[KXP]
	5FC8 3TA9	2				[KXR]
5						DECAL, 4.0L High Output
	5FC8 5TA2	2				[KYP]
	5FC8 5TA9	2				[KYR]
6	5FE5 2WGK	2				DECAL, Sahara, [KBT]
-7	5515 5566	2				PROTECTOR, Door Opening, Lower Door

JEEP WRANGLER (TJ)
 SERIES LINE BODY ENGINE TRANSMISSION
 L=Low Line J = Wrangler 4WD 77 = 93.4 WB EPE, EP0 = 2.5L Power Tech DGG, DGD = 32RH 3 Spd. Auto.
 U = Wrangler 4WD (RHD) ERH, ER0 = 4.0L Power Tech DDQ = 5 Spd. Manual
 DG0 = All Auto. Trans.
 DBB =All Manual Trans.

AR = Use as required - = Non illustrated part # = New this model year

June 7, 2002

Group – ITJ

Interior Trim

GROUP ITJ - Interior Trim

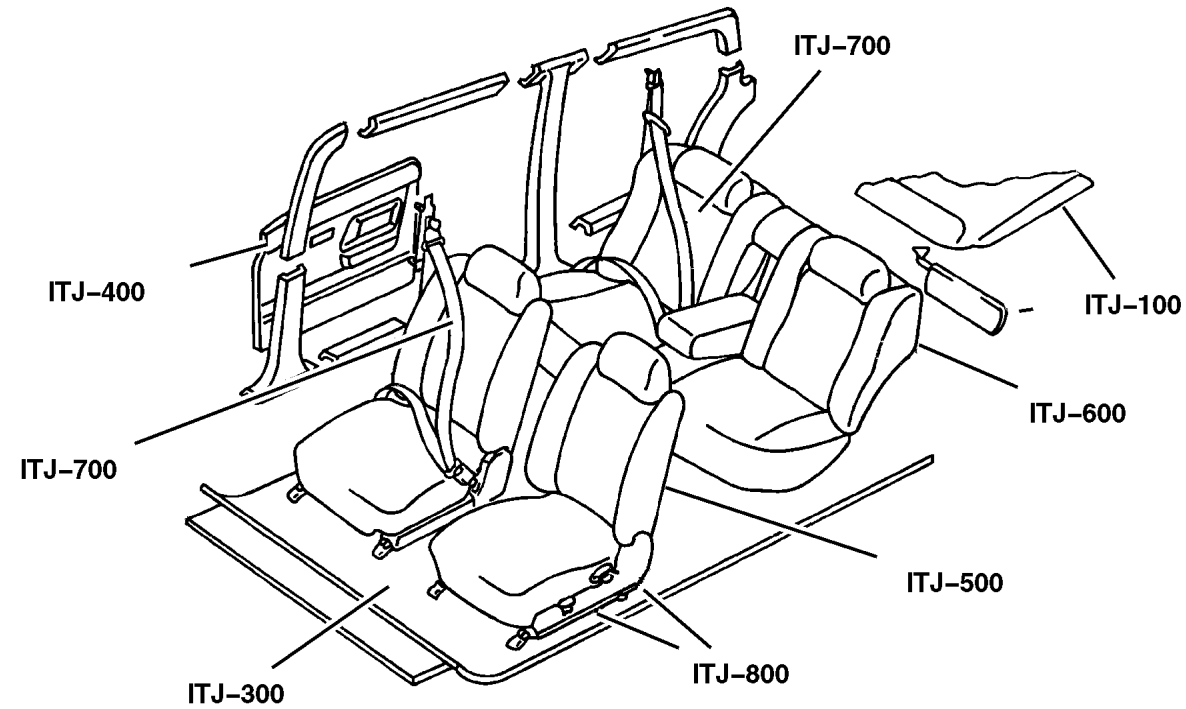


Illustration Title

Group-Fig. No.

Headliner and Visor

Sunvisors Fig. ITJ-110

Carpet and Tonneau Cover

Carpets And Interior Trim Panels Wrangler 1997 TJ Fig. ITJ-310
 Carpets And Interior Trim Panels Wrangler 1998 TJ Fig. ITJ-310
 Carpets And Interior Trim Panels 1999 TJ Fig. ITJ-310

Door Trim Panels- Front and Sliding

Door Trim Panels Half Doors & Full Doors 1997 TJ Fig. ITJ-410
 Door Trim Panels Half Doors & Full Doors 1998 TJ Fig. ITJ-410
 Door Trim Panels Half Doors & Full Doors 1999 TJ Fig. ITJ-410

Front Seats and Attaching Parts

Front Seats Wrangler 1997 TJ Fig. ITJ-510
 Front Seats 1998 TJ Fig. ITJ-510
 Front Seats 1999 TJ Fig. ITJ-510

Rear Seats and Attaching Parts

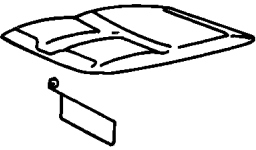
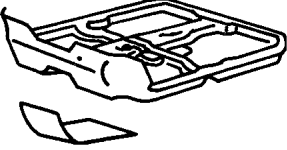
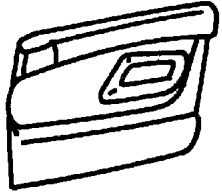
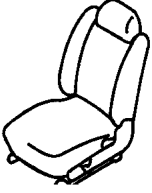
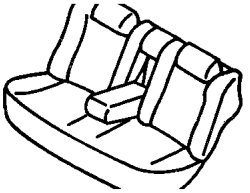
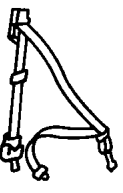
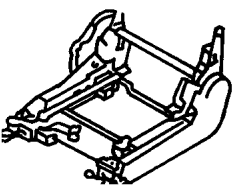
Seat Assemblies, Seat Covers Rear Seat Wrangler 1997 TJ Fig. ITJ-610
 Seat Assemblies, Seat Covers Rear Seat Wrangler 1998 TJ Fig. ITJ-610
 Seat Assemblies, Seat Covers Rear Seat Wrangler 1999 TJ Fig. ITJ-610

Seat Belts-Front and Rear

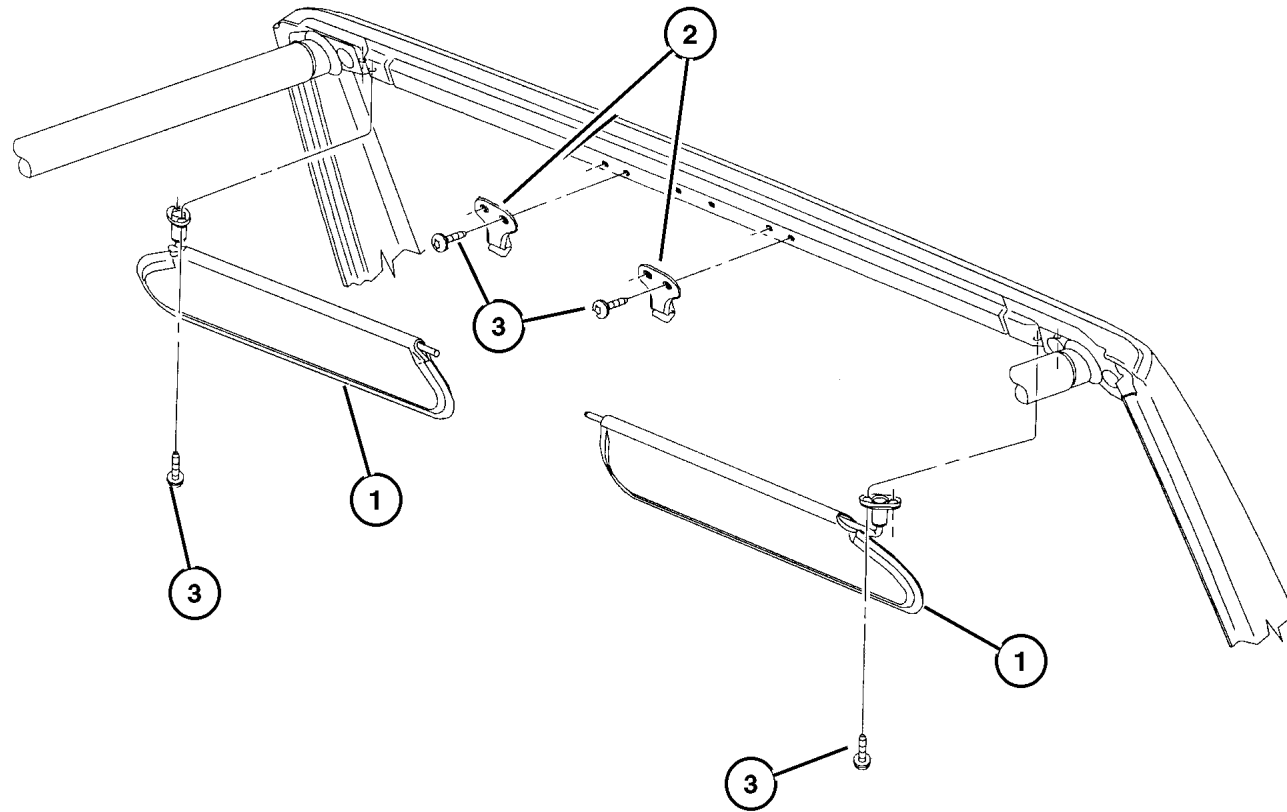
Seat Belts Wrangler 1997 TJ 1998 TJ Fig. ITJ-710
 Seat Belts Wrangler 1999 TJ Fig. ITJ-710

Adjusters, Covers, Shields, and Risers

Seat Assemblies, Adjusters, Recliners 1997 TJ Fig. ITJ-810
 Seat Assemblies, Adjusters, Recliners 1998 TJ Fig. ITJ-810
 Seat Assemblies, Adjusters, Recliners 1999 TJ Fig. ITJ-810

<p>ITJ-100 Headliner and Visor</p> 	<p>ITJ-300 Carpet and Tonneau Cover</p> 	<p>ITJ-400 Door Trim Panels- Front and Sliding</p> 	<p>ITJ-500 Front Seats and Attaching Parts</p> 
<p>ITJ-600 Rear Seats and Attaching Parts</p> 	<p>ITJ-700 Seat Belts-Front and Rear</p> 	<p>ITJ-800 Adjusters, Covers, Shields, and Risers</p> 	

Sunvisors Figure ITJ-110



ITEM	PART NUMBER	QTY	LINE	SERIES	BODY	TRIM	DESCRIPTION
1							VISOR
	5EP34 LAZAD	1	J				Agate, 1998 TJ, Right
	5EP34 LAZAE	1	J				Agate, 1999 TJ, Right
	5EP34 RK5AE	1	J				Camel, 1999 TJ, Right
	5EP34 RT6AD	1	J				Saddle, 1998 TJ, Right
	5EP3 4TAZ	1	J				Agate, 1997 TJ, Right
	5EP3 4TT6	1	J				Saddle, 1997 TJ, Right
	5EP35 LAZAD	1	J				Agate, 1998 TJ, Left
	5EP35 LAZAE	1	J				Agate, 1999 TJ, Left
	5EP35 RK5AE	1	J				Camel, 1999 TJ, Left
	5EP35 RT6AD	1	J				Saddle, 1998 TJ, Left
	5EP3 5TAZ	1	J				Agate, 1997 TJ, Left
	5EP3 5TT6	1	J				Saddle, 1997 TJ, Left
	5FP0 0LAZ	1	J				Agate, Up to 2-17-97, 1997 TJ, Right,Export
	5FP00 LAZAC	1	J				Agate, After 2-17-97, 1997 TJ, Right,Export
	5FP00 LAZAD	1	J				Agate, 1998 TJ, Right,Export
	5FP0 0RT6	1	J				Saddle, Up to 2-17-97, 1997 TJ, Right,Export
	5FP00 RT6AC	1	J				Saddle, After 2-17-97, 1997 TJ, Right,Export
	5FP00 RT6AD	1	J				Saddle, 1998 TJ, Right,Export
	5FP0 1LAZ	1	J				Agate, Up to 2-17-97, 1997 TJ, Left,Export
	5FP01 LAZAC	1	J				Agate, After 2-17-97, 1997 TJ, Left,Export
	5FP01 LAZAD	1	J				Agate, 1998 TJ, Left,Export
	5FP0 1RT6	1	J				Saddle, Up to 2-17-97, 1997 TJ, Left,Export
	5FP01 RT6AC	1	J				Saddle, After 2-17-97, 1997 TJ, Left,Export
	5FP01 RT6AD	1	J				Saddle, 1998 TJ, Left,Export
	5FP0 2LAZ	1	U				Agate, Up to 2-17-97, 1997 TJ, Right,Export
	5FP02 LAZAC	1	U				Agate, After 2-17-97, 1997 TJ, Right,Export
	5FP02 LAZAD	1	U				Agate, Up to 5-13-98, 1998 TJ, Right,Export
	5FP02 LAZAE	1	U				Agate, After 5-13-98, (With Passenger Disarm Label), 1998 TJ, Right,Export
		1	U				Agate, 1999 TJ, Right
	5FP02 RK5AE	1	U				Camel, 1999 TJ, Right
	5FP0 2RT6	1	U				Saddle, Up to 2-17-97, 1997 TJ, Right,Export
	5FP02 RT6AC	1	U				Saddle, After 2-17-97, 1997 TJ, Right,Export
	5FP02 RT6AD	1	U				Saddle, Up to 5-13-98, 1998 TJ, Right,Export
	5FP02 RT6AE	1	U				Saddle, After 5-13-98, (With Passenger Disarm Label), 1998 TJ, Right,Export
	5FP0 3LAZ	1	U				Agate, Up to 2-17-97, 1997 TJ, Left,Export
	5FP03 LAZAC	1	U				Agate, After 2-17-97, 1997 TJ, Left,Export
	5FP03 LAZAD	1	U				Agate, Up to 5-13-98, 1998 TJ, Left,Export
	5FP03 LAZAE	1	U				Agate, After 5-13-98, (With Passenger Disarm Label), 1998 TJ
		1	U				Agate, 1999 TJ, Left

JEEP WRANGLER (TJ)

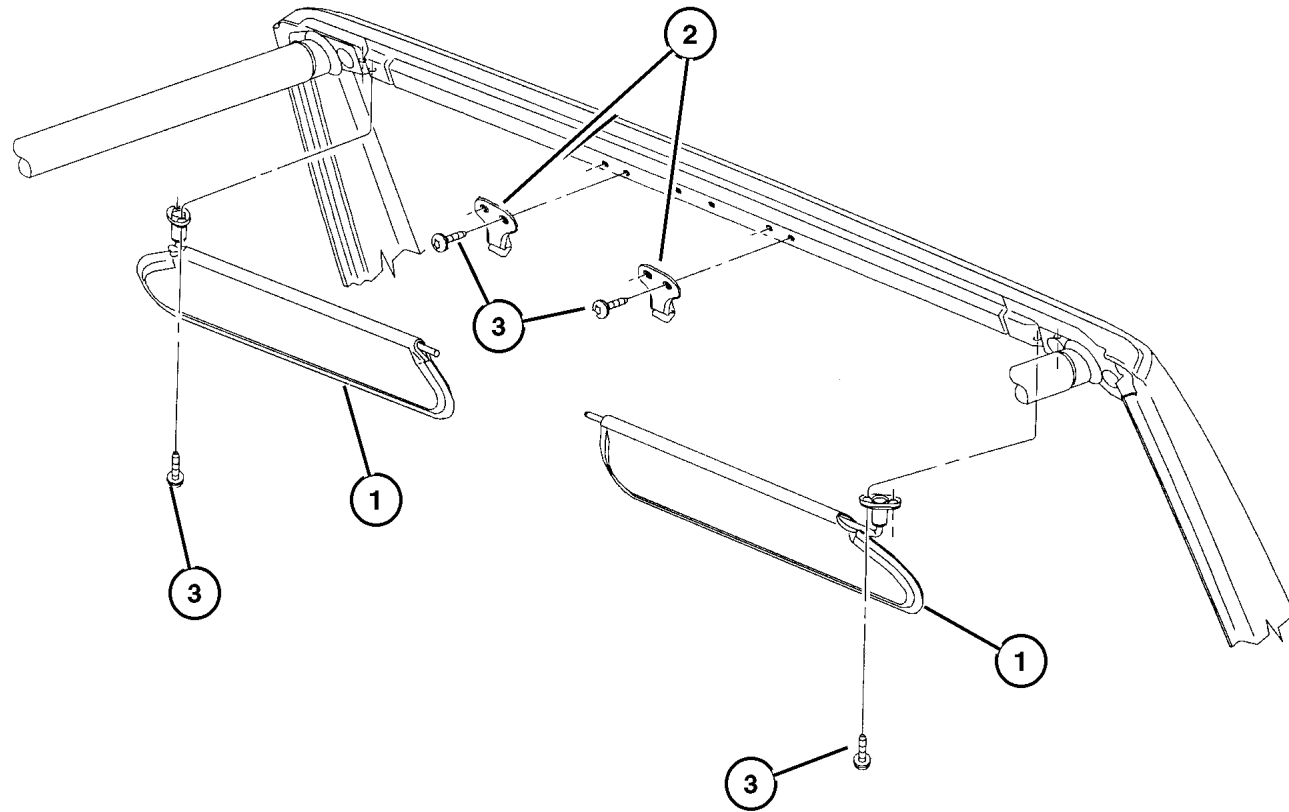
SERIES	LINE	BODY	ENGINE	TRANSMISSION
L=Low Line	J = Wrangler 4WD U = Wrangler 4WD (RHD)	77 = 93.4 WB	EPE, EP0 = 2.5L Power Tech ERH, ER0 = 4.0L Power Tech	DGG, DGD = 32RH 3 Spd. Auto. DDQ = 5 Spd. Manual DG0 = All Auto. Trans. DBB =All Manual Trans.

AR = Use as required - = Non illustrated part # = New this model year

June 7, 2002

**Sunvisors
Figure ITJ-110**

ITEM	PART NUMBER	QTY	LINE	SERIES	BODY	TRIM	DESCRIPTION
	5FP03 RK5AE	1	U				Camel, 1999 TJ, Left
	5FP0 3RT6	1	U				Saddle, Up to 2-17-97, 1997 TJ, Left,Export
	5FP03 RT6AC	1	U				Saddle, After 2-17-97, 1997 TJ, Left,Export
	5FP03 RT6AD	1	U				Saddle, Up to 5-13-98, 1998 TJ, Left,Export
	5FP03 RT6AE	1	U				Saddle, After 5-13-98, (With Passenger Disarm Label), 1998 TJ, Left,Export
2							SUPPORT, Visor
	5521 7264	2					1997 TJ
	55217 264AB	2					1998 TJ, 1999 TJ
3							SCREW, .164-18x.75, (NOT SERVICED)
-4							LABEL, Transfer Case Shift (NOT REQUIRED), 1999 TJ
	5300 8695	1					Driver Visor, Transfer Case shift Pattern NP231, 1997 TJ
		1					1998 TJ
-5							LABEL, Airbag (NOT REQUIRED), 1997 TJ, 1999 TJ
	55196 783AA	1	J				Referral, 1998 TJ
-6							LABEL, Air Bag Warning (NOT REQUIRED), 1997 TJ
	4787 437AA	2	J				English/French 5 Points, 1998 TJ, 1999 TJ
	55315 001AA	1	J				CANADA, Passenger Disarm Warning, 1998 TJ
		1	J				CANADA, Passenger Airbag Disarm Warning, 1999 TJ



JEEP WRANGLER (TJ)

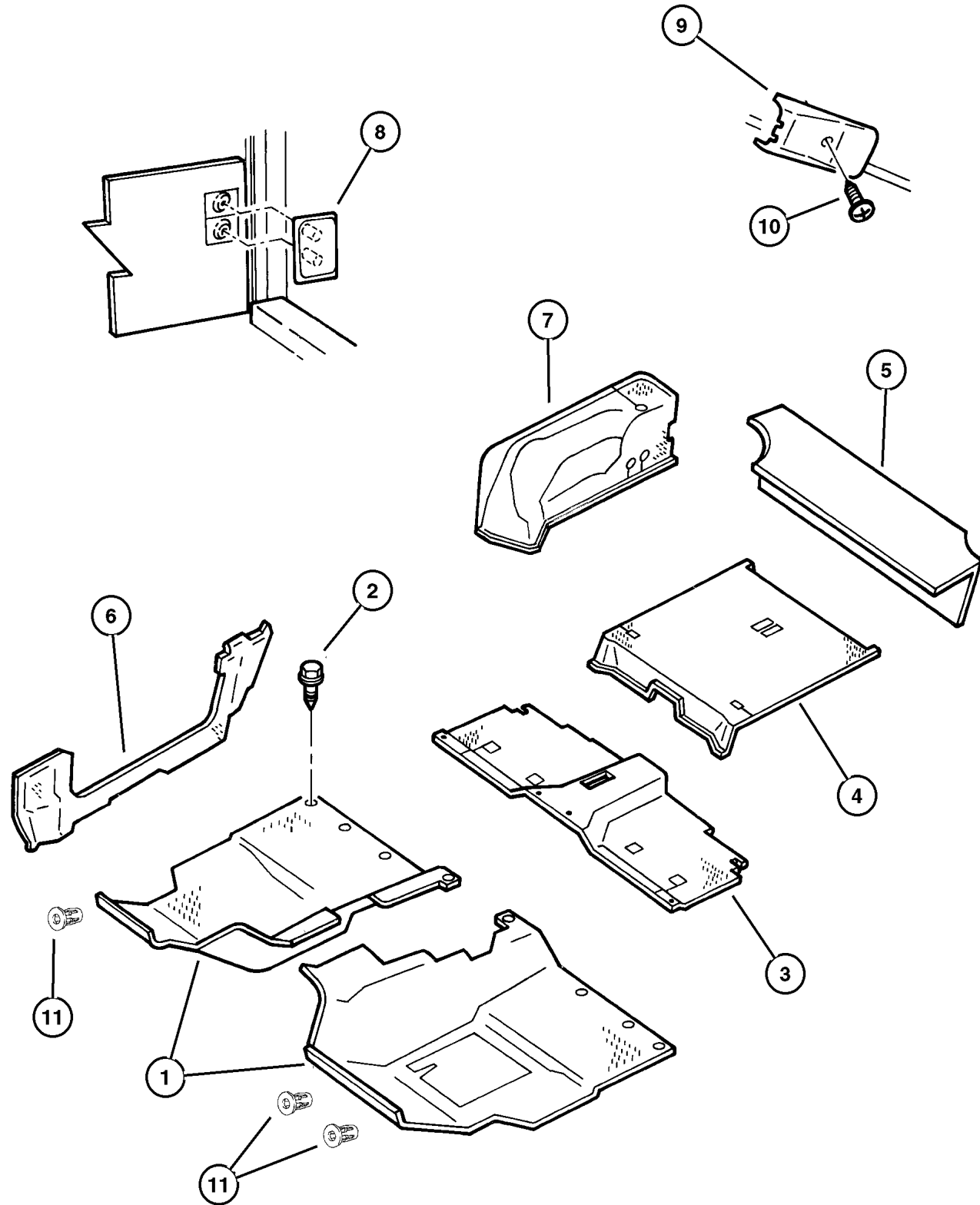
SERIES	LINE	BODY	ENGINE	TRANSMISSION
L=Low Line	J = Wrangler 4WD U = Wrangler 4WD (RHD)	77 = 93.4 WB	EPE, EP0 = 2.5L Power Tech ERH, ER0 = 4.0L Power Tech	DGG, DGD = 32RH 3 Spd. Auto. DDQ = 5 Spd. Manual DG0 = All Auto. Trans. DBB =All Manual Trans.

AR = Use as required - = Non illustrated part # = New this model year

June 7, 2002

Carpets And Interior Trim Panels Wrangler 1997 TJ
Figure ITJ-310

ITEM	PART NUMBER	QTY	LINE	SERIES	BODY	TRIM	DESCRIPTION
1							CARPET, Front Floor
	5FV5 1RC3	1	J				Mist Gray, Left
	5FV5 1RT6	1	J				Saddle, Left
	5FW1 4RC3	1	U				Mist Gray, Right
	5FW1 4RT6	1	U				Saddle, Right
	5FW1 5RC3	1	U				Mist Gray, Left
	5FW1 5RT6	1	U				Saddle, Left
	5FW5 0RC3	1	J				Mist Gray, Right
	5FW5 0RT6	1	J				Saddle, Right
2	J400 7545	4					SCREW AND WASHER, Snap Head, .164-18x.375
3							CARPET, Rear Floor
	5FV4 8RC3	1					Mist Gray, Full Console
	5FV4 8RT6	1					Saddle, Full Console
	5FV4 9RC3	1					Mist Gray, With Mini Console
	5FV4 9RT6	1					Saddle, With Mini Console
4							CARPET, Cargo Floor
	5EA1 8TC3	1					Mist Gray
	5EA1 8TT6	1					Saddle
5							CARPET, Floor
	5FB3 8TC3	1					Mist Gray, Add A Trunk
	5FB3 8TT6	1					Saddle, Add A Trunk
6							CARPET, Floor
	5DR3 4TT6	1					Right
	5DR3 5TT6	1					Left
7							CARPET, Wheelhouse
	5DR9 6TC3	1					Mist Gray, Right
	5DR9 6TT6	1					Saddle, Right
	5DR9 7TC3	1					Mist Gray, Left
	5DR9 7TT6	1					Saddle, Left
8							COVER, Wheelhouse Carpet
	5DM8 9TC3	1					Mist Gray
	5DM8 9TT6	1					Saddle
9	5521 7099	1					COVER, Contact Button, Chmsl Contact Button
							Bracket
10							SCREW, .164-18x.500, (NOT SERVICED)
11	6503 274	1					NUT, Push On
-12	5521 7379	1					NET, Cargo, Cargo



JEEP WRANGLER (TJ)

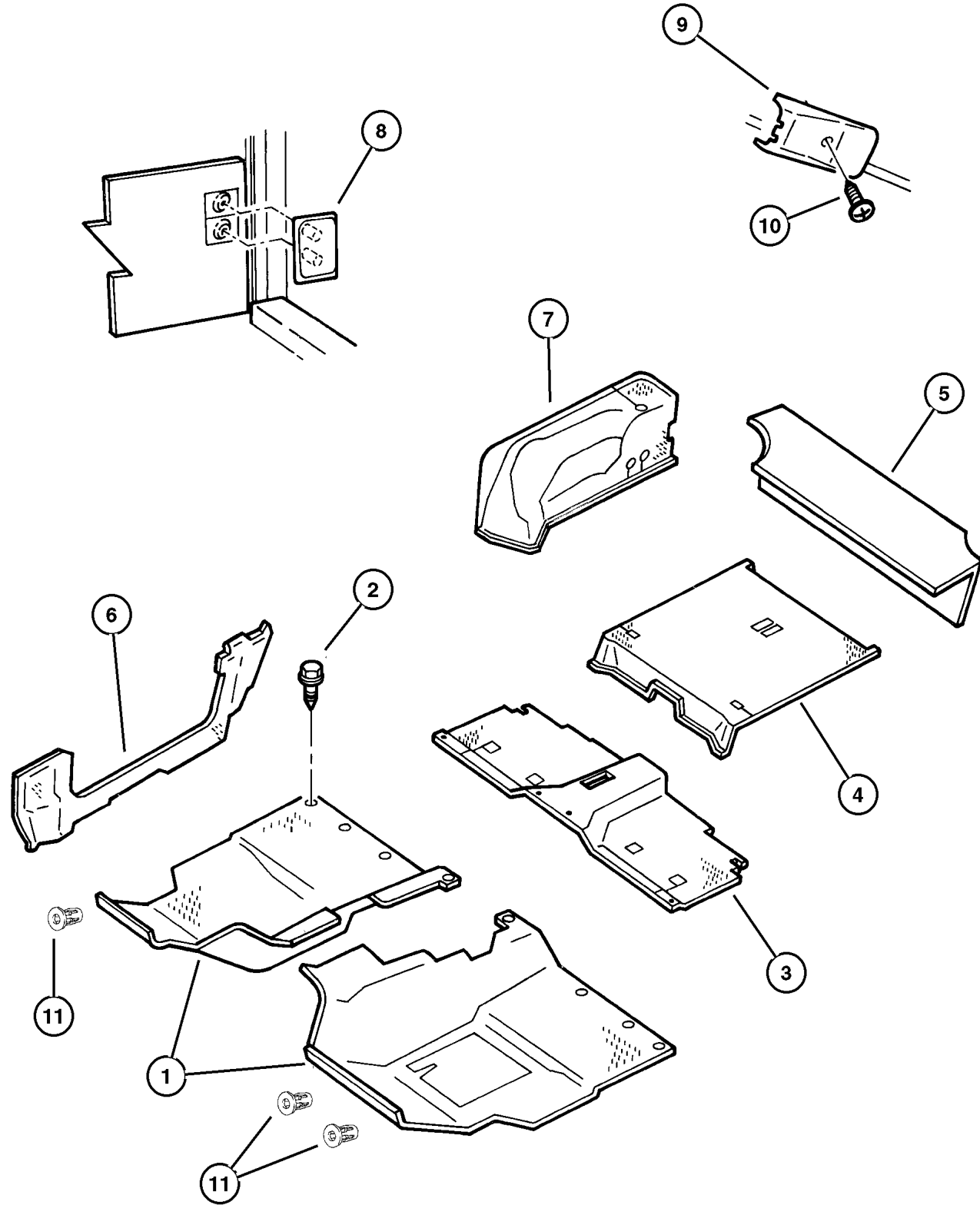
SERIES	LINE	BODY	ENGINE	TRANSMISSION
L=Low Line	J = Wrangler 4WD U = Wrangler 4WD (RHD)	77 = 93.4 WB	EPE, EP0 = 2.5L Power Tech ERH, ER0 = 4.0L Power Tech	DGG, DGD = 32RH 3 Spd. Auto. DDQ = 5 Spd. Manual DG0 = All Auto. Trans. DBB =All Manual Trans.

AR = Use as required - = Non illustrated part # = New this model year

June 7, 2002

Carpets And Interior Trim Panels Wrangler 1998 TJ
Figure ITJ-310

ITEM	PART NUMBER	QTY	LINE	SERIES	BODY	TRIM	DESCRIPTION
1							CARPET, Front Floor
	5FV5 1RC3	1	J				Mist Gray, With Snaps, Left
	5FV51 RC3AB	1	J				Mist Gray, With Velcro, Left
	5FV5 1RT6	1	J				Saddle, With Snaps, Left
	5FV51 RT6AB	1	J				Saddle, With Velcro, Left
	5FW14 RC3AB	1	U				Mist Gray, With Snaps, Right
	5FW14 RC3AD	1	U				Mist Gray, With Velcro, Right
	5FW14 RT6AB	1	U				Saddle, With Snaps, Right
	5FW14 RT6AD	1	U				Saddle, With Velcro, Right
	5FW1 5RC3	1	U				Mist Gray, With Snaps, Left
	5FW15 RC3AB	1	U				Mist Gray, With Velcro, Left
	5FW1 5RT6	1	U				Saddle, With Snaps, Left
	5FW15 RT6AB	1	U				Saddle, With Velcro, Left
	5FW50 RC3AB	1	J				Mist Gray, With Snaps, Right
	5FW50 RC3AD	1	J				Mist Gray, With Velcro, Right
	5FW50 RT6AB	1	J				Saddle, With Snaps, Right
	5FW50 RT6AD	1	J				Saddle, With Velcro, Right
2	J400 7545	2					SCREW AND WASHER, Snap Head, .164-18x.375
3							CARPET, Rear Floor
	5FV4 8RC3	1					Mist Gray, Full Console
	5FV4 8RT6	1					Saddle, Full Console
	5FV4 9RC3	1					Mist Gray, With Mini Console
	5FV4 9RT6	1					Saddle, With Mini Console
4							CARPET, Cargo Floor
	5FW1 6RC3	1					Mist Gray
	5FW1 6RT6	1					Saddle
5							PANEL, Add A Trunk
	5FV2 51C3	1					Mist Gray
	5FV2 51TJ	1					Saddle
6							CARPET, Floor
	5GA74 RT6AB	1					Right
	5GA75 RT6AB	1					Left
7							CARPET, Wheelhouse
	5FV1 6RC3	1					Mist Gray, Right
	5FV1 6RT6	1					Saddle, Right
	5FV1 7RC3	1					Mist Gray, Left
	5FV1 7RT6	1					Saddle, Left
8							COVER, Wheelhouse Carpet, (NOT REQUIRED)
9	5521 7099	1					COVER, Contact Button, Chmsl Contact Button Bracket
10							SCREW, .164-18x.500, (NOT SERVICED)
11							NUT, Push On
	6503 274	4	J				



JEEP WRANGLER (TJ)

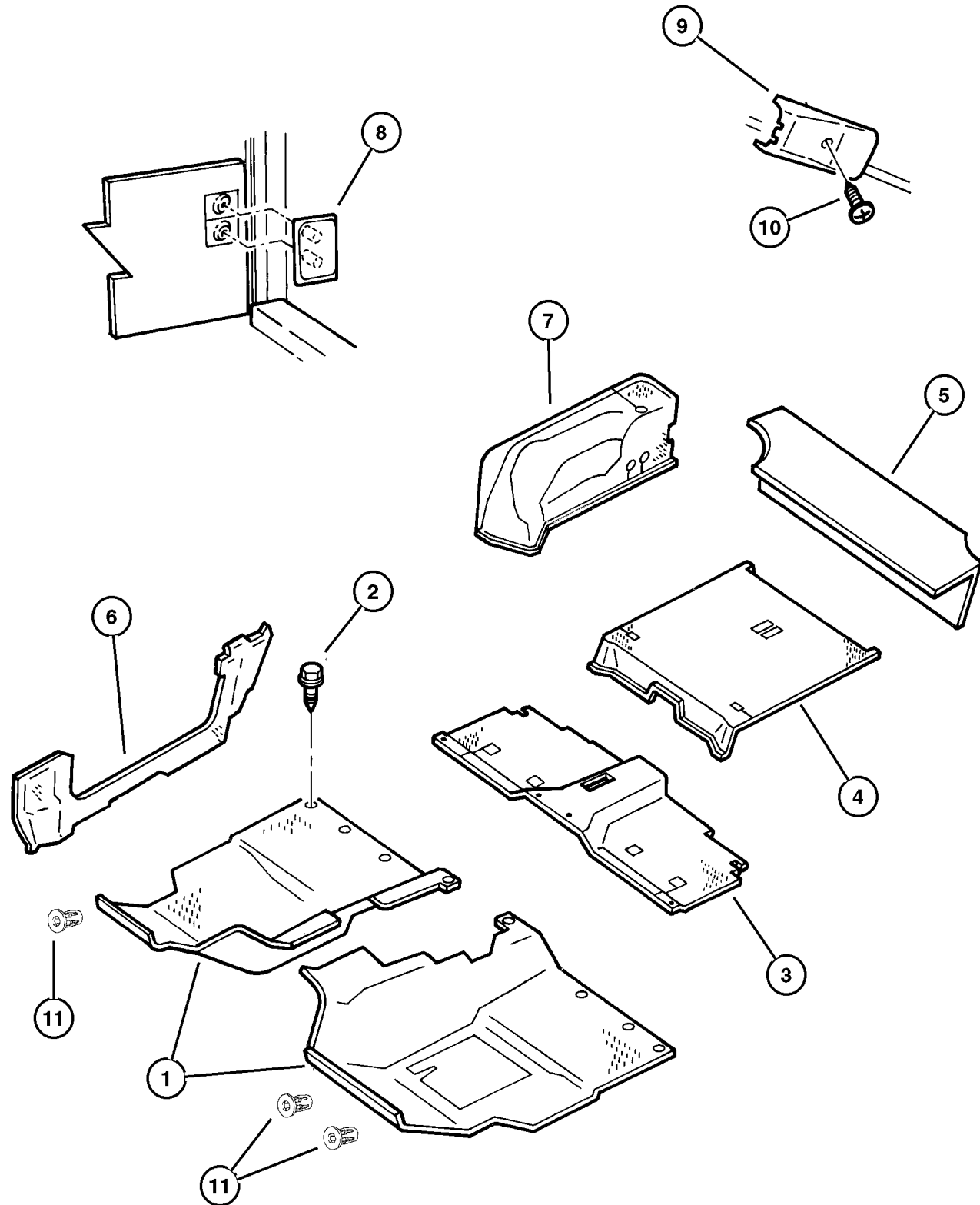
SERIES	LINE	BODY	ENGINE	TRANSMISSION
L=Low Line	J = Wrangler 4WD U = Wrangler 4WD (RHD)	77 = 93.4 WB	EPE, EP0 = 2.5L Power Tech ERH, ER0 = 4.0L Power Tech	DGG, DGD = 32RH 3 Spd. Auto. DDQ = 5 Spd. Manual DG0 = All Auto. Trans. DBB =All Manual Trans.

AR = Use as required - = Non illustrated part # = New this model year

June 7, 2002

Carpets And Interior Trim Panels Wrangler 1998 TJ
Figure ITJ-310

ITEM	PART NUMBER	QTY	LINE	SERIES	BODY	TRIM	DESCRIPTION
-12	5521 7379	1	5	U			NET, Cargo, Cargo



JEEP WRANGLER (TJ)

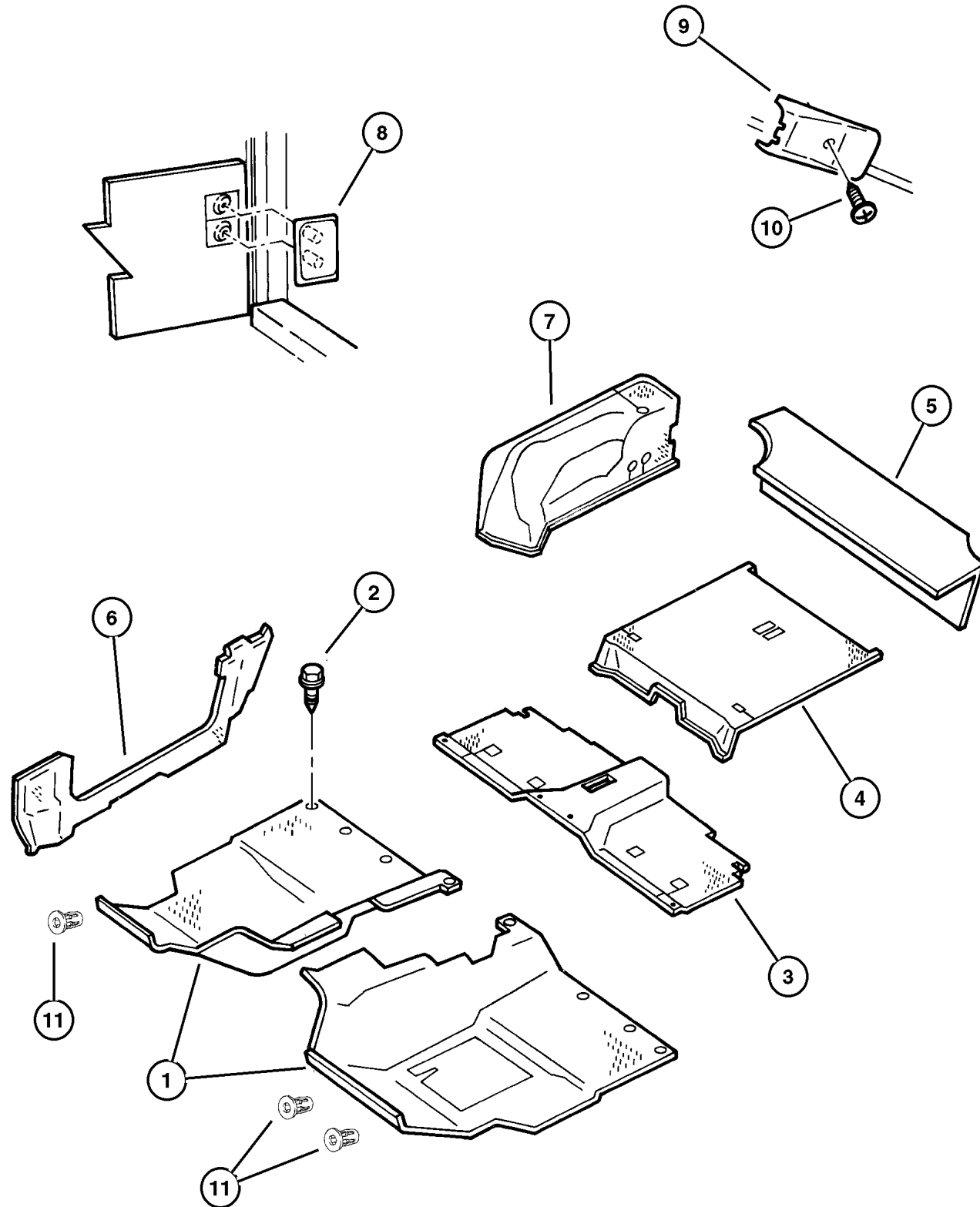
SERIES	LINE	BODY	ENGINE	TRANSMISSION
L=Low Line	J = Wrangler 4WD U = Wrangler 4WD (RHD)	77 = 93.4 WB	EPE, EP0 = 2.5L Power Tech ERH, ER0 = 4.0L Power Tech	DGG, DGD = 32RH 3 Spd. Auto. DDQ = 5 Spd. Manual DG0 = All Auto. Trans. DBB =All Manual Trans.

AR = Use as required - = Non illustrated part # = New this model year

June 7, 2002

Carpets And Interior Trim Panels 1999 TJ
Figure ITJ-310

ITEM	PART NUMBER	QTY	LINE	SERIES	BODY	TRIM	DESCRIPTION
1							CARPET, Front Floor
	5FV51 LAZAB	1	J				Agate, Left
	5FV51 VK9AB	1	J				Tan, Left
	5FW14 LAZAD	1	U				Agate, Right
	5FW14 VK9AD	1	U				Tan, Right
	5FW15 LAZAB	1	U				Agate, Left
	5FW15 VK9AB	1	U				Tan, Left
	5FW50 LAZAD	1	J				Agate, Right
	5FW50 VK9AD	1	J				Tan, Right
2	J400 7545	2					SCREW AND WASHER, Snap Head, .164-18x.375
3							CARPET, Rear Floor
	5FV4 8LAZ	1					Agate, With Full Console
	5FV4 8VK9	1					Tan, With Full Console
	5FV4 9LAZ	1					Agate, With Mini Console
	5FV4 9VK9	1					Tan, With Mini Console
4							CARPET, Cargo Floor
	5FW1 6LAZ	1					Agate
	5FW1 6VK9	1					Tan
5							PANEL, Add A Trunk
	5FV25 1AZAB	1					Mist Gray
	5FV25 1K9AB	1					Saddle
6							CARPET, Floor
	5GA74 VK9AB	1					Right
	5GA75 VK9AB	1					Left
7							CARPET, Wheelhouse
	5FV16 LAZAC	1					Agate, Right
	5FV16 VK9AC	1					Tan, Right
	5FV17 LAZAC	1					Agate
	5FV17 VK9AC	1					Tan, Left
8							COVER, Wheelhouse Carpet, (NOT REQUIRED)
9	5521 7099	1					COVER, Contact Button
10							SCREW, .164-18x.500, (NOT SERVICED)
11							NUT, Push On
	6503 274	5	U				
		4	J				



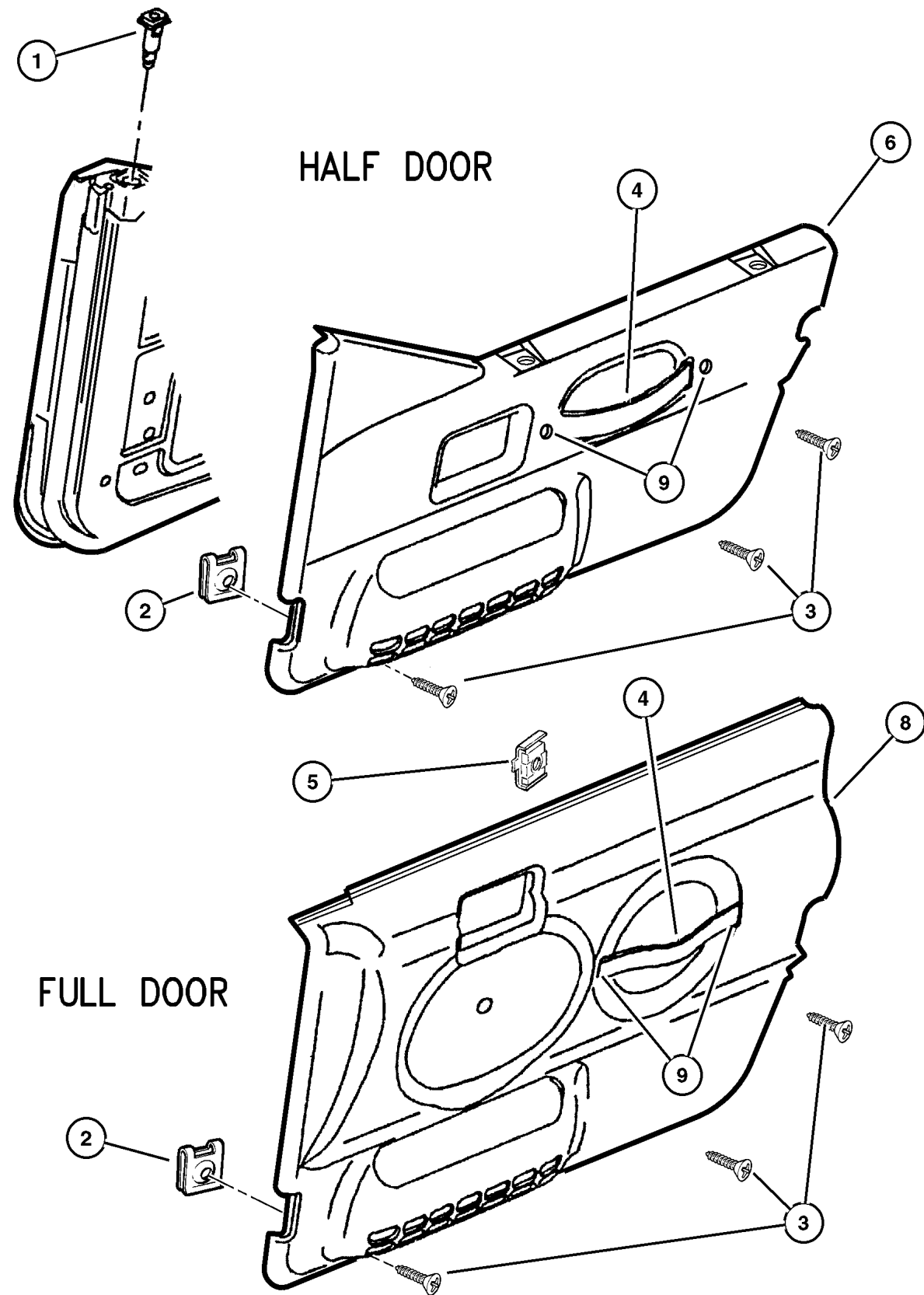
JEEP WRANGLER (TJ)

SERIES	LINE	BODY	ENGINE	TRANSMISSION
L=Low Line	J = Wrangler 4WD U = Wrangler 4WD (RHD)	77 = 93.4 WB	EPE, EP0 = 2.5L Power Tech ERH, ER0 = 4.0L Power Tech	DGG, DGD = 32RH 3 Spd. Auto. DDQ = 5 Spd. Manual DG0 = All Auto. Trans. DBB =All Manual Trans.

AR = Use as required - = Non illustrated part # = New this model year

June 7, 2002

Door Trim Panels Half Doors & Full Doors 1997 TJ
Figure ITJ-410



ITEM	PART NUMBER	QTY	LINE	SERIES	BODY	TRIM	DESCRIPTION
1							GROMMET, Door Window Stabilizer
	5EJ6 4TC3	6					Mist Gray
	5EJ6 4TT6	6					Saddle
2	3420 1872	4					NUT, Snap In, M4.2 x 1.41, Door Trim Mounting
3	6504 617	6					SCREW, M4.2-1.41x13
4	5ES4 3TAZ	1					HANDLE, Door Interior
5	6504 993AA	4					NUT, Door Pull Strap Mounting
6							PANEL, Door Trim
	5DY6 4TC3	1					Mist Gray, Right
	5DY6 4TT6	1					Saddle, Right
	5DY6 5TC3	1					Mist Gray, Left
	5DY6 5TT6	1					Saddle, Left
-7							PIN, Push
	5FP8 4RC3	2					Mist Gray
	5FP8 4RT6	2					Saddle
8							PANEL, Door Trim
	5DY6 6TC3	1					Mist Gray, Right
	5DY6 6TT6	1					Saddle, Right
	5DY6 7TC3	1					Mist Gray, Left
	5DY6 7TT6	1					Saddle, Left
9	6035 747	2					SCREW, M4.2-1.41x13

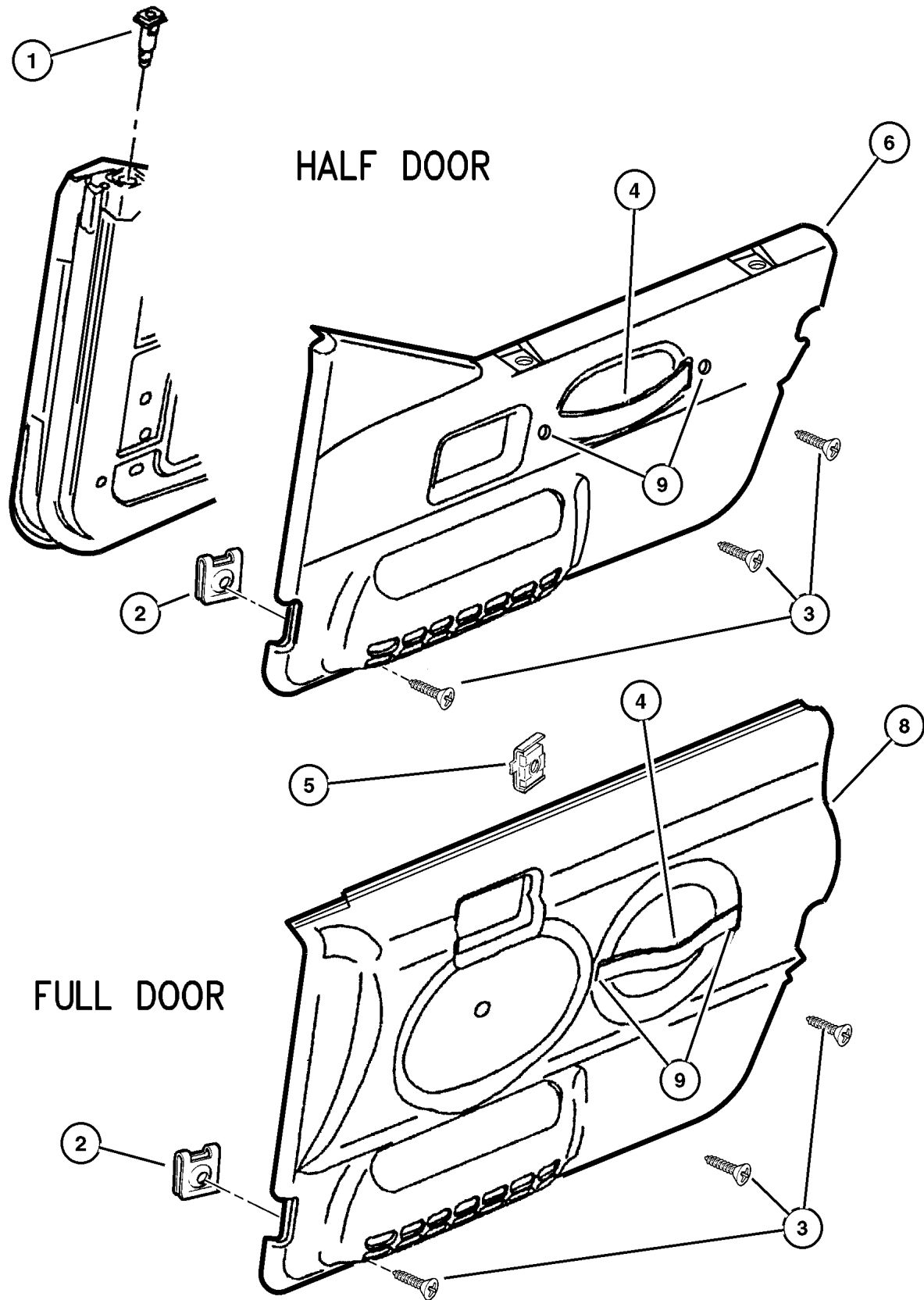
JEEP WRANGLER (TJ)

SERIES	LINE	BODY	ENGINE	TRANSMISSION
L=Low Line	J = Wrangler 4WD U = Wrangler 4WD (RHD)	77 = 93.4 WB	EPE, EP0 = 2.5L Power Tech ERH, ER0 = 4.0L Power Tech	DGG, DGD = 32RH 3 Spd. Auto. DDQ = 5 Spd. Manual DG0 = All Auto. Trans. DBB =All Manual Trans.

AR = Use as required - = Non illustrated part # = New this model year

June 7, 2002

Door Trim Panels Half Doors & Full Doors 1998 TJ
Figure ITJ-410



ITEM	PART NUMBER	QTY	LINE	SERIES	BODY	TRIM	DESCRIPTION
1							GROMMET, Door Window Stabilizer
	5EJ6 4TC3	6					Mist Gray
	5EJ6 4TT6	6					Saddle
2	3420 1872	4					NUT, Snap In, M4.2 x 1.41, Door Trim Mounting
3	6504 617	6					SCREW, M4.2-1.41x13
4	5ES4 3TAZ	1					HANDLE, Door Interior
5	6504 993AA	4					NUT, Door Pull Strap Mounting
6							PANEL, Door Trim
	5DY6 4TC3	1					Mist Gray, Right
	5DY6 4TT6	1					Saddle, Right
	5DY6 5TC3	1					Mist Gray, Left
	5DY6 5TT6	1					Saddle, Left
-7							PIN, Push
	5FP8 4RC3	2					Mist Gray
	5FP8 4RT6	2					Saddle
8							PANEL, Door Trim
	5DY6 6TC3	1					Mist Gray, Right
	5DY6 6TT6	1					Saddle, Right
	5DY6 7TC3	1					Mist Gray, Left
	5DY6 7TT6	1					Saddle, Left
9	6035 747	2					SCREW, M4.2-1.41x13

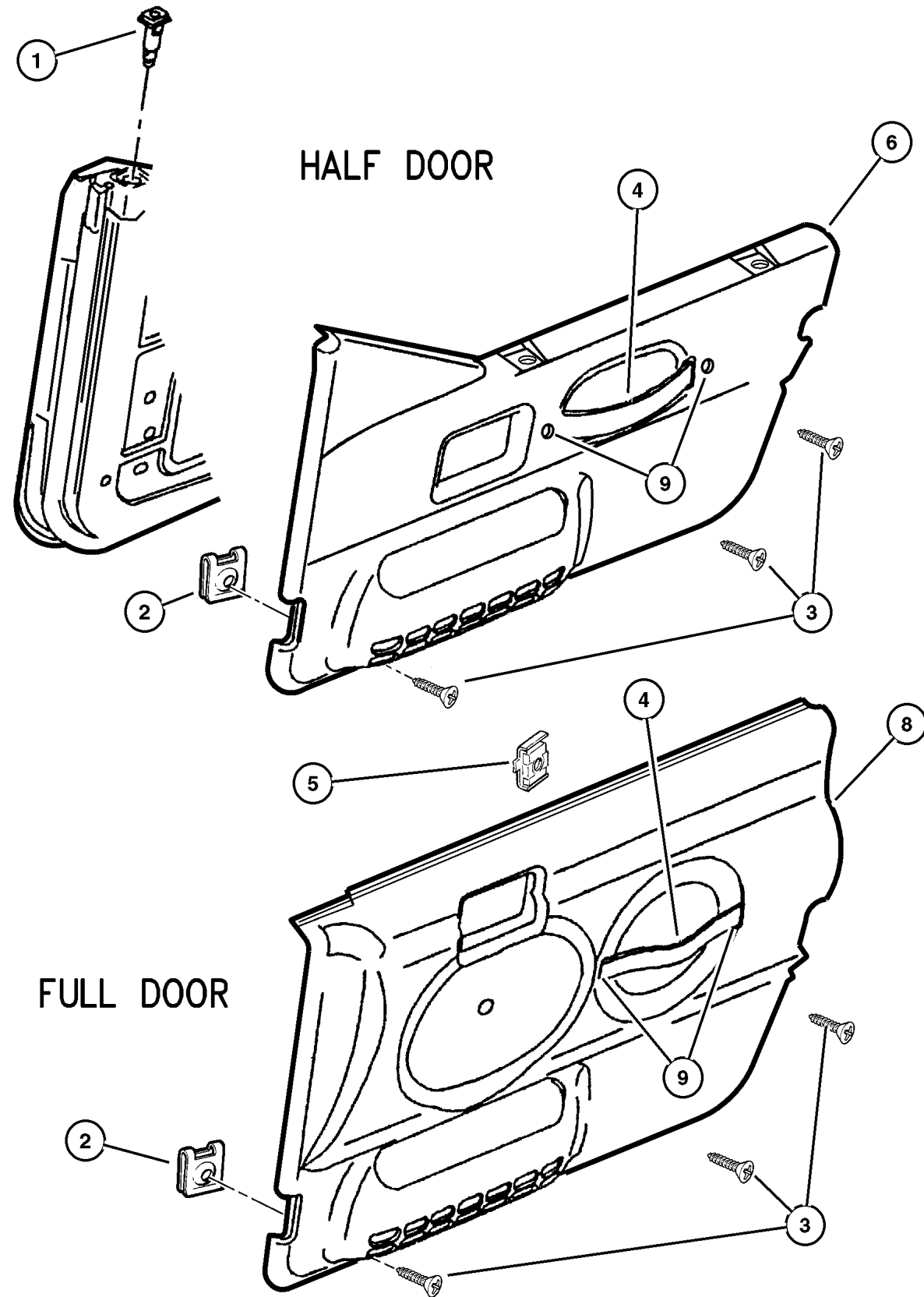
JEEP WRANGLER (TJ)

SERIES	LINE	BODY	ENGINE	TRANSMISSION
L=Low Line	J = Wrangler 4WD U = Wrangler 4WD (RHD)	77 = 93.4 WB	EPE, EP0 = 2.5L Power Tech ERH, ER0 = 4.0L Power Tech	DGG, DGD = 32RH 3 Spd. Auto. DDQ = 5 Spd. Manual DG0 = All Auto. Trans. DBB =All Manual Trans.

AR = Use as required - = Non illustrated part # = New this model year

June 7, 2002

Door Trim Panels Half Doors & Full Doors 1999 TJ
Figure ITJ-410



ITEM	PART NUMBER	QTY	LINE	SERIES	BODY	TRIM	DESCRIPTION
1							GROMMET, Door Window Stabilizer
	5EJ6 4LAZ	6					Agate
	5EJ6 4RK5	6					Camel
2	3420 1872	4					NUT, Snap In, M4.2 x 1.41, Door Trim Mounting
3	6504 617	6					SCREW, M4.2-1.41x13
4	5ES4 3TAZ	1					HANDLE, Door Interior
5	6504 993AA	4					NUT
6							PANEL, Door Trim
	5DY64 1K5AB	1					Camel, Right
	5DY64 LAZAB	1					Agate, Right
	5DY65 1K5AB	1					Camel, Left
	5DY65 LAZAB	1					Agate, Left
-7							PIN, Push
	5FP8 4LAZ	4					Agate
	5FP8 4RK5	4					Camel
8							PANEL, Door Trim
	5DY6 61K5	1					Camel, Right
	5DY6 6LAZ	1					Agate, Right
	5DY6 71K5	1					Camel, Left
	5DY6 7LAZ	1					Agate, Left
9	6035 747	2					SCREW, M4.2-1.41x13

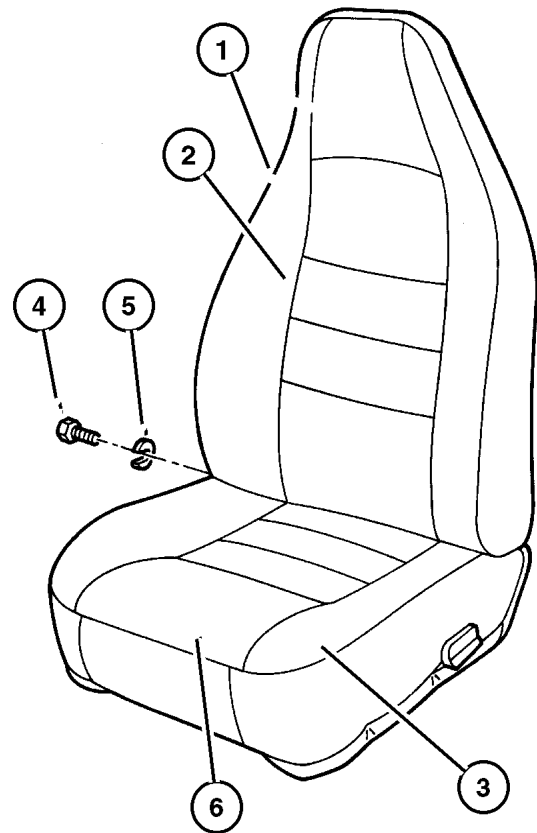
JEEP WRANGLER (TJ)

SERIES	LINE	BODY	ENGINE	TRANSMISSION
L=Low Line	J = Wrangler 4WD U = Wrangler 4WD (RHD)	77 = 93.4 WB	EPE, EP0 = 2.5L Power Tech ERH, ER0 = 4.0L Power Tech	DGG, DGD = 32RH 3 Spd. Auto. DDQ = 5 Spd. Manual DG0 = All Auto. Trans. DBB =All Manual Trans.

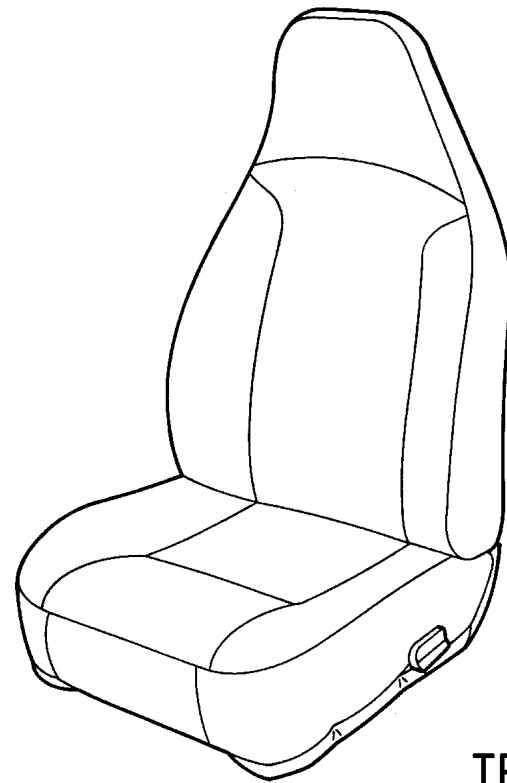
AR = Use as required - = Non illustrated part # = New this model year

June 7, 2002

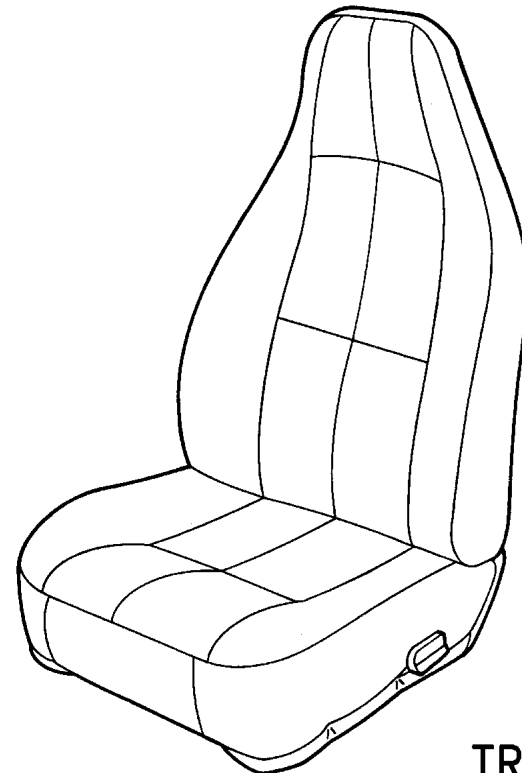
Front Seats Wrangler 1997 TJ
Figure ITJ-510



TRIM D6 & J6



TRIM K5



TRIM M5

ITEM	PART NUMBER	QTY	LINE	SERIES	BODY	TRIM	DESCRIPTION
Trim Codes [D6 & J6] = FUSION VINYL, ([D6] Has No Rear Seat) J=Dana 35 Rear Axle---DRK=Dana 44 Rear Axle							
Trim Code [K5] = PUEBLO CLOTH J=Dana 35 Rear Axle---DRK=Dana 44 Rear Axle							
Trim Code M5 = TRAIL CLOTH J=Dana 35 Rear Axle---DRK=Dana 44 Rear Axle							
1							BACK, Front Seat
	PY28 TJ4	1	J		77	M5	Moss, Passenger
		1	U		77	M5	Moss, Passenger
	PY29 TJ4	1	J		77	M5	Moss, Driver
		1	U		77	M5	Moss, Without Easy Entry, Driver
	PY30 TJ4	1				M5	Moss, With Easy Entry, Driver
	PY31 TC3	1				K5	Mist Gray, With Easy Entry, Driver
	PY31 TTB	1				K5	Saddle, With Easy Entry, Driver
	PY34 TC3	1			77	J6	Mist Gray, With Easy Entry, Driver,Export
		1			77	D6	Mist Gray, With Easy Entry, Driver,Export
	PY34 TT6	1			77	J6	Saddle, With Easy Entry, Driver,Export
		1			77	D6	Saddle, With Easy Entry, Driver,Export
	PY36 TC3	1			77	K5	Mist Gray, Passenger
	PY36 TTB	1			77	K5	Saddle, Passenger
	PY37 TC3	1			77	K5	Mist Gray, Driver
	PY37 TTB	1			77	K5	Saddle, Driver
	PY38 TC3	1			77	J6	Mist Gray, Passenger
		1			77	D6	Mist Gray, Passenger
	PY38 TT6	1			77	J6	Saddle, Passenger
		1			77	D6	Saddle, Passenger
	PY39 TC3	1			77	J6	Mist Gray, Driver
		1			77	D6	Mist Gray, Driver
	PY39 TT6	1			77	J6	Saddle, Driver
		1			77	D6	Saddle, Driver
2							COVER, Front Seat Back
	PY54 TJ4	1			77	M5	Moss, Passenger
	PY56 TJ4	1			77	M5	Moss, Driver
	PY57 TC3	1				K5	Mist Gray, With Easy Entry, Driver
	PY57 TTB	1				K5	Saddle, With Easy Entry, Driver
	PY60 TC3	1				K5	Mist Gray, Passenger
	PY60 TTB	1				K5	Saddle, Passenger
	PY61 TC3	1			77	K5	Mist Gray, Without Easy Entry, Driver
	PY61 TTB	1			77	K5	Saddle, Without Easy Entry, Driver
	PY63 TC3	1			77	J6	Mist Gray, With Easy Entry, Driver,Export
		1			77	D6	Mist Gray, With Easy Entry, Driver,Export
	PY63 TT6	1			77	J6	Saddle, With Easy Entry, Driver,Export
		1			77	D6	Saddle, With Easy Entry, Driver,Export
	PY66 TC3	1			77	D6	Mist Gray, Passenger
		1			77	J6	Mist Gray, Passenger
	PY66 TT6	1			77	J6	Saddle, Passenger

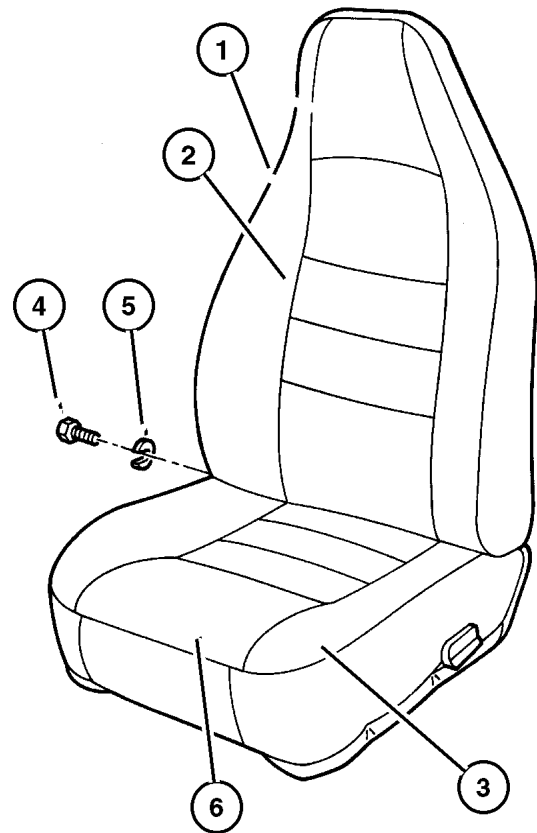
JEEP WRANGLER (TJ)

SERIES	LINE	BODY	ENGINE	TRANSMISSION
L=Low Line	J = Wrangler 4WD U = Wrangler 4WD (RHD)	77 = 93.4 WB	EPE, EP0 = 2.5L Power Tech ERH, ER0 = 4.0L Power Tech	DGG, DGD = 32RH 3 Spd. Auto. DDQ = 5 Spd. Manual DG0 = All Auto. Trans. DBB =All Manual Trans.

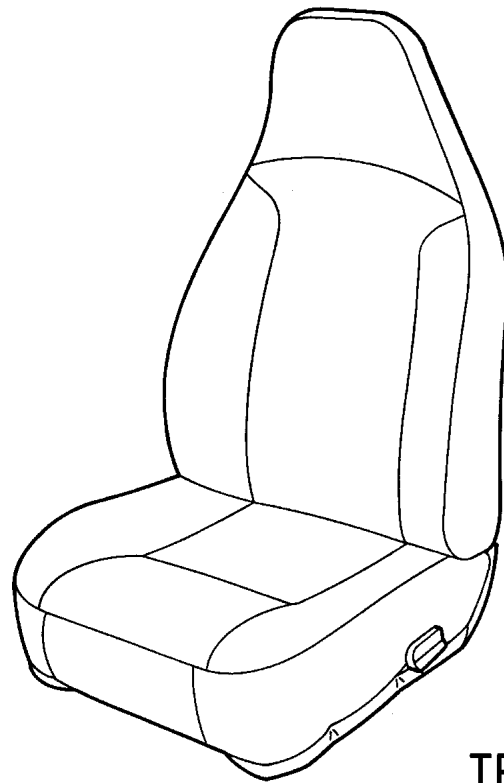
AR = Use as required - = Non illustrated part # = New this model year

June 7, 2002

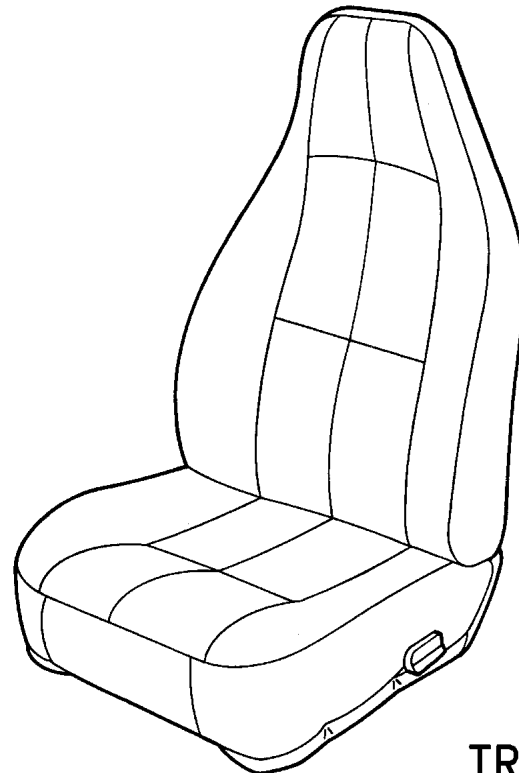
Front Seats Wrangler 1997 TJ
Figure ITJ-510



TRIM D6 & J6



TRIM K5



TRIM M5

ITEM	PART NUMBER	QTY	LINE	SERIES	BODY	TRIM	DESCRIPTION
		1			77	D6	Saddle, Passenger
	PY67 TC3	1			77	J6	Mist Gray, Without Easy Entry, Driver
		1			77	D6	Mist Gray, Without Easy Entry, Driver
	PY67 TT6	1			77	J6	Saddle, Without Easy Entry, Driver
		1			77	D6	Saddle, Without Easy Entry, Driver
3							COVER AND PAD, Cushion
	PY52 TJ4	1				M5	Moss, Passenger
	PY53 TJ4	1				M5	Moss, Driver
	PY58 TC3	1				K5	Mist Gray, Passenger
	PY58 TTB	1			77	K5	Saddle, Passenger
	PY59 TC3	1				K5	Mist Gray, Driver
	PY59 TTB	1				K5	Saddle, Driver
	PY64 TC3	1			77	J6	Mist Gray, Passenger
		1			77	D6	Mist Gray, Passenger
	PY64 TT6	1			77	J6	Saddle, Passenger
		1			77	D6	Saddle, Passenger
	PY65 TC3	1			77	J6	Mist Gray, Driver
		1			77	D6	Mist Gray, Driver
	PY65 TT6	1			77	J6	Saddle, Driver
		1			77	D6	Saddle, Driver
4							BOLT, Shoulder, I.B.-Back To Cushion-Pivot
	4797 554	2			77	M5	
		2			77	K5	
		2			77	J6	
		2			77	D6	
5							U-NUT, Seat Back
	4713 982	2			77	M5	Without Easy Entry
		2			77	K5	Without Easy Entry
		2			77	J6	Without Easy Entry
		2			77	D6	Without Easy Entry
	4874 145	1			77	J6	With Easy Entry
		1			77	D6	With Easy Entry
		2				M5	With Easy Entry
		2				K5	With Easy Entry
6							FRAME, Front Seat
	5012 161AA	1				D6	Left
	5012 160AA	1				D6	Right
	5012 161AA	1				J6	Left
	5012 160AA	1				J6	Right
	5012 161AA	1				K5	Left
	5012 160AA	1				K5	Right
		1				M5	Right
	5012 161AA	1				M5	Left

JEEP WRANGLER (TJ)

SERIES
L=Low Line

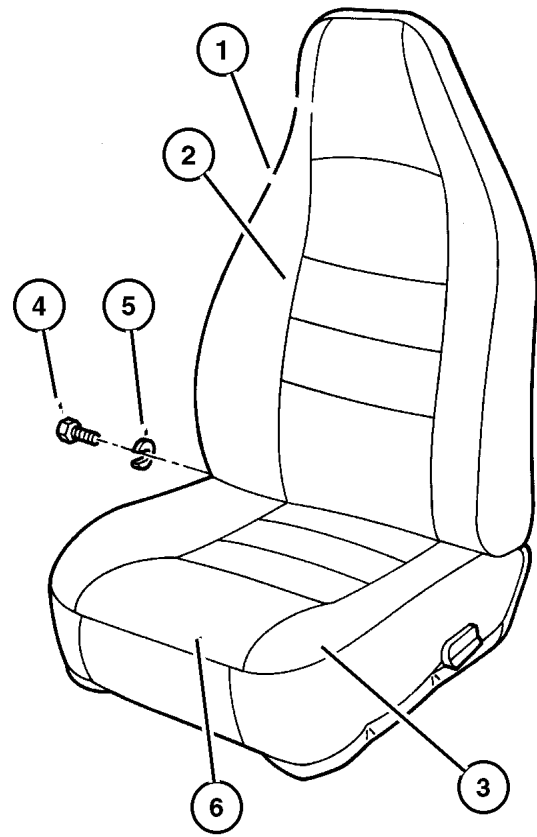
LINE
J = Wrangler 4WD
U = Wrangler 4WD (RHD)

BODY
77 = 93.4 WB

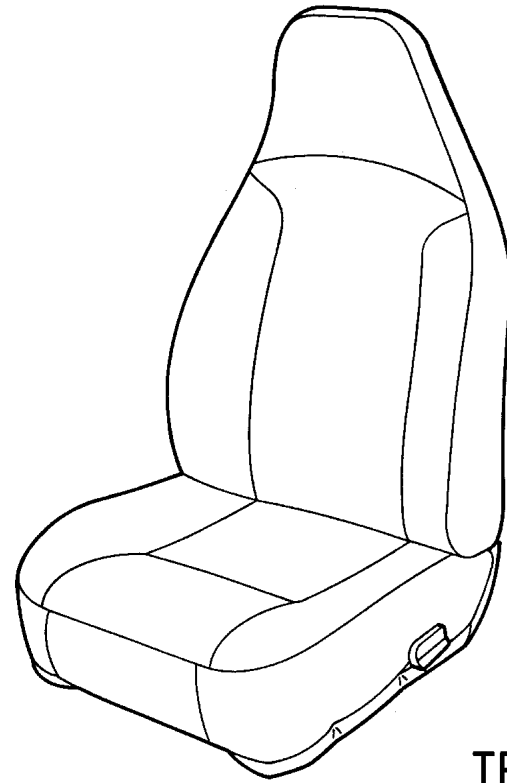
ENGINE
EPE, EP0 = 2.5L Power Tech
ERH, ER0 = 4.0L Power Tech

TRANSMISSION
DGG, DGD = 32RH 3 Spd. Auto.
DDQ = 5 Spd. Manual
DG0 = All Auto. Trans.
DBB =All Manual Trans.

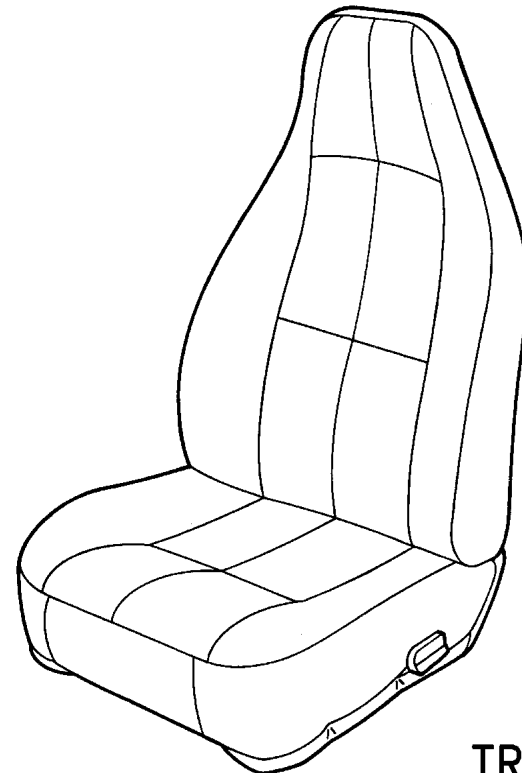
Front Seats Wrangler 1997 TJ
Figure ITJ-510



TRIM D6 & J6



TRIM K5



TRIM M5

ITEM	PART NUMBER	QTY	LINE	SERIES	BODY	TRIM	DESCRIPTION
------	-------------	-----	------	--------	------	------	-------------

-7	6502 137	2					BOLT, Hex Flange Head, M10x1.50x35, Cushion to Frame
----	----------	---	--	--	--	--	--

JEEP WRANGLER (TJ)

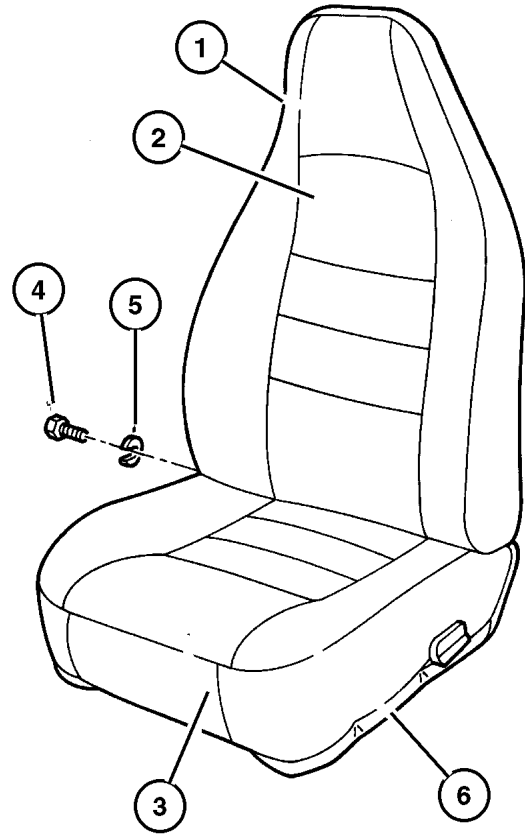
SERIES	LINE	BODY	ENGINE	TRANSMISSION
L=Low Line	J = Wrangler 4WD U = Wrangler 4WD (RHD)	77 = 93.4 WB	EPE, EP0 = 2.5L Power Tech ERH, ER0 = 4.0L Power Tech	DGG, DGD = 32RH 3 Spd. Auto. DDQ = 5 Spd. Manual DG0 = All Auto. Trans. DBB =All Manual Trans.

AR = Use as required - = Non illustrated part # = New this model year

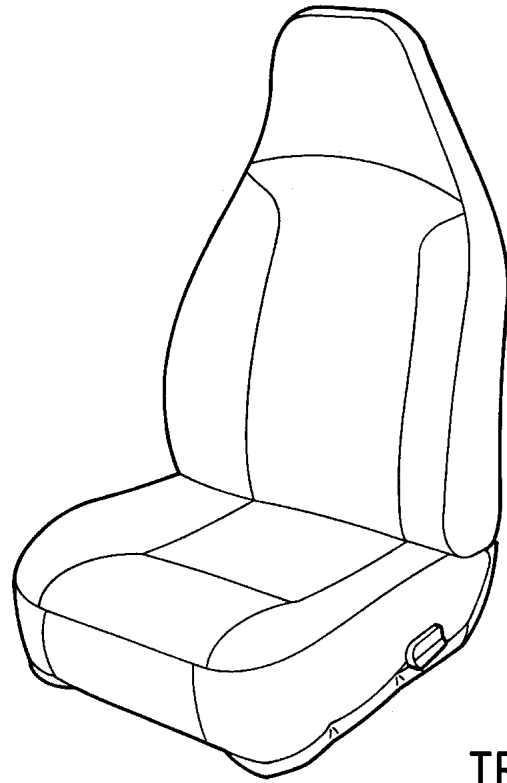
June 7, 2002

Front Seats 1998 TJ
Figure ITJ-510

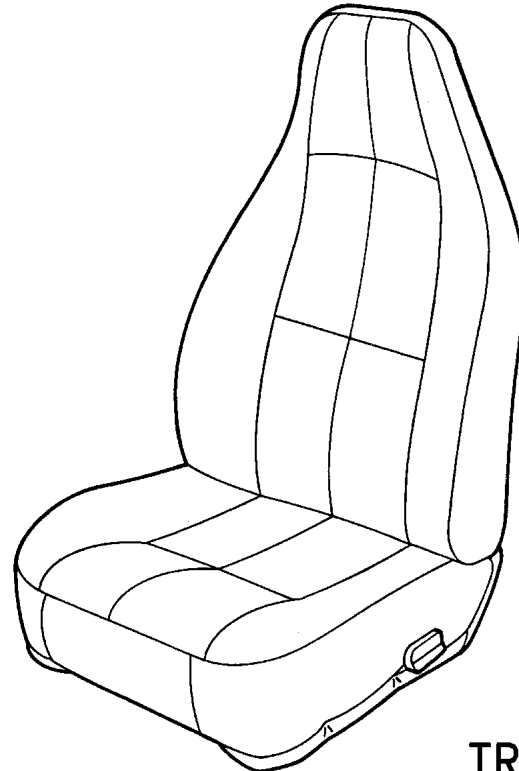
ITEM	PART NUMBER	QTY	LINE	SERIES	BODY	TRIM	DESCRIPTION
1							SEAT BACK, Front
	SG70 1C3AA	1				D6	Mist Gray, Passenger
	SG70 1T6AA	1				D6	Saddle, Passenger
	SG71 1C3AA	1				D6	Mist Gray, Without Easy Entry, Driver
	SG71 1T6AA	1				D6	Saddle, Without Easy Entry, Driver
	SG72 1C3AA	1	J			D6	Mist Gray, Passenger,Export
		1	U			D6	Mist Gray, Passenger,Export
	SG72 1T6AA	1	J			D6	Saddle, Passenger,Export
		1	U			D6	Saddle, Passenger,Export
	SG73 1T6AA	1	U			D6	Saddle, With Easy Entry, Driver,Export
	SG73 1C3AA	1	U			D6	Mist Gray, With Easy Entry, Driver,Export
	SG73 1T6AA	1	J			D6	Saddle, With Easy Entry, Driver,Export
	SG73 1C3AA	1	J			D6	Mist Gray, With Easy Entry, Driver,Export
	SG73 1T6AA	1	U			J6	Saddle, With Easy Entry, Driver,Export
	SG73 1C3AA	1	J			J6	Mist Gray, With Easy Entry, Driver,Export
		1	U			J6	Mist Gray, With Easy Entry, Driver,Export
	SG73 1T6AA	1	J			J6	Saddle, With Easy Entry, Driver,Export
	SG70 1C3AA	1				J6	Mist Gray, Passenger
	SG70 1T6AA	1				J6	Saddle, Passenger
	SG71 1C3AA	1				J6	Mist Gray, Without Easy Entry, Driver
	SG71 1T6AA	1				J6	Saddle, Without Easy Entry, Driver
	SG72 1C3AA	1	U			J6	Mist Gray, Passenger,Export
		1	J			J6	Mist Gray, Passenger,Export
	SG72 1T6AA	1	J			J6	Saddle, Passenger,Export
		1	U			J6	Saddle, Passenger,Export
	SG76 2C3AA	1				K5	Mist Gray, Passenger
	SG76 2T6AA	1				K5	Saddle, Passenger
	SG78 1T6AA	1	U			K5	Saddle, Passenger,Export
		1	J			K5	Saddle, Passenger,Export
	SG78 1C3AA	1	U			K5	Mist Gray, Passenger,Export
		1	J			K5	Mist Gray, Passenger,Export
	SG77 2T6AA	1				K5	Saddle, With Easy Entry, Driver
	SG77 2C3AA	1				K5	Mist Gray, With Easy Entry, Driver
	SG68 1TJAA	1	U			M5	Moss, Passenger
		1	J			M5	Moss, Passenger
	SG67 1TJAA	1				M5	Moss, With Easy Entry, Driver
	SG66 1TJAA	1				M5	Moss, Passenger
2							COVER, Front Seat Back
	SG79 1C3AA	1	U			D6	Mist Gray, With Easy Entry, Driver,Export
		1	J			D6	Mist Gray, With Easy Entry, Driver,Export
		1	J			J6	Mist Gray, With Easy Entry, Driver,Export
		1	U			J6	Mist Gray, With Easy Entry, Driver,Export
	SG79 1T6AA	1	J			J6	Saddle, With Easy Entry, Driver,Export



TRIM D6 & J6



TRIM K5



TRIM M5

JEEP WRANGLER (TJ)

SERIES
L=Low Line

LINE
J = Wrangler 4WD
U = Wrangler 4WD (RHD)

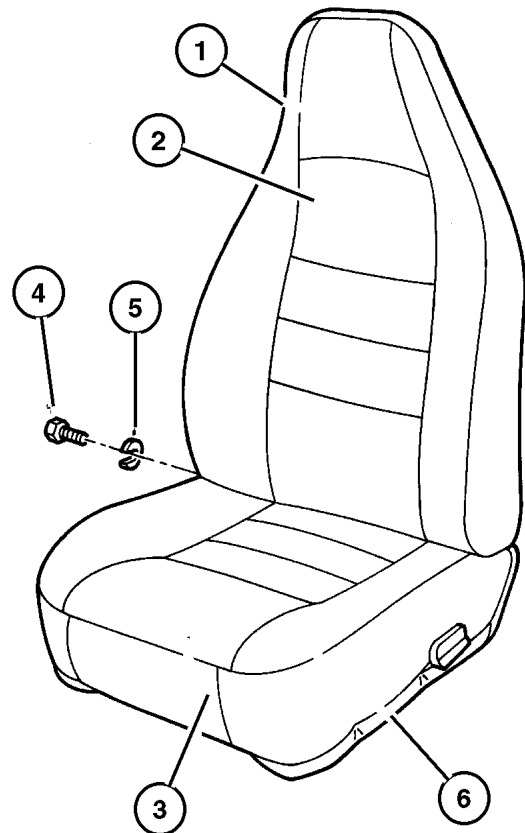
BODY
77 = 93.4 WB

ENGINE
EPE, EP0 = 2.5L Power Tech
ERH, ER0 = 4.0L Power Tech

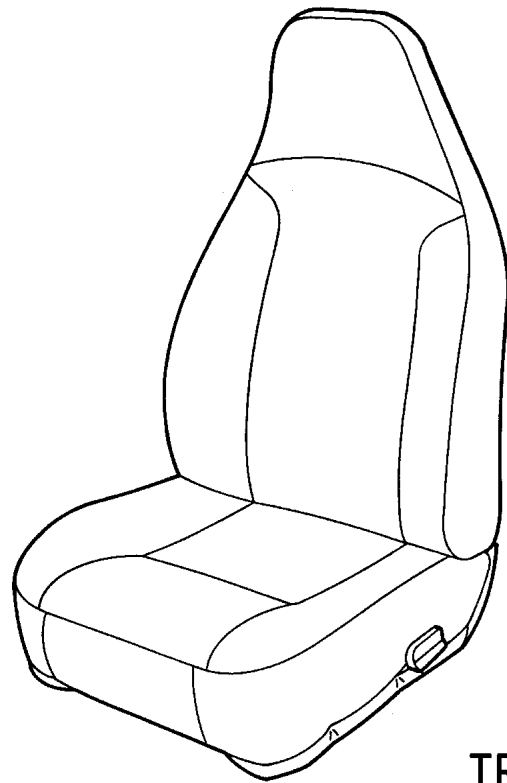
TRANSMISSION
DGG, DGD = 32RH 3 Spd. Auto.
DDQ = 5 Spd. Manual
DG0 = All Auto. Trans.
DBB =All Manual Trans.

Front Seats 1998 TJ
Figure ITJ-510

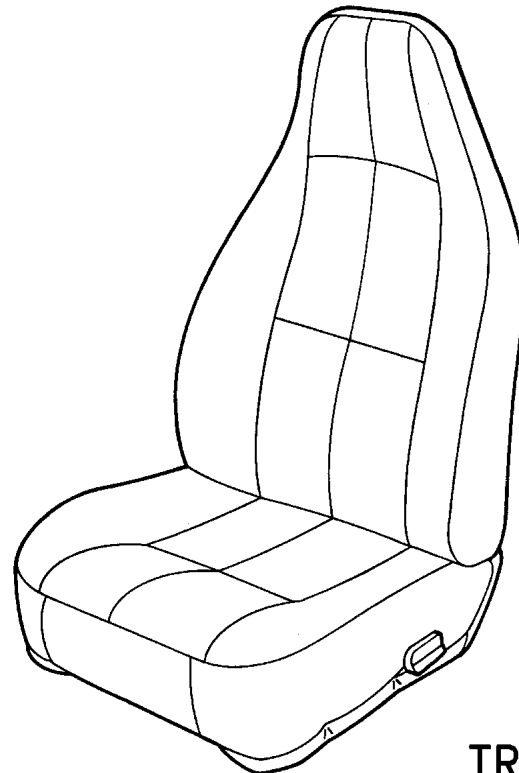
ITEM	PART NUMBER	QTY	LINE	SERIES	BODY	TRIM	DESCRIPTION
		1	U			J6	Saddle, With Easy Entry, Driver,Export
		1	U			D6	Saddle, With Easy Entry, Driver,Export
		1	J			D6	Saddle, With Easy Entry, Driver,Export
	SG80 1TJAA	1				M5	Moss, Passenger
	SG81 1TJAA	1				M5	Moss, Driver
	SG82 1C3AA	1				J6	Mist Gray, Passenger
		1				D6	Mist Gray, Passenger
	SG82 1T6AA	1				D6	Saddle, Passenger
		1				J6	Saddle, Passenger
	SG83 1C3AA	1				J6	Mist Gray, Without Easy Entry, Driver
		1				D6	Mist Gray, Without Easy Entry, Driver
	SG83 1T6AA	1				J6	Saddle, Without Easy Entry, Driver
		1				D6	Saddle, Without Easy Entry, Driver
	SG84 2C3AA	1				K5	Mist Gray, Passenger
	SG84 2T6AA	1				K5	Saddle, Passenger
	SG85 2C3AA	1				K5	Mist Gray, With Easy Entry, Driver
	SG85 2T6AA	1				K5	Saddle, With Easy Entry, Driver
3							COVER AND PAD, Cushion
	RZ67 1T6AA	1				D6	Saddle, Left
	RZ67 1C3AA	1				D6	Mist Gray, Left
	RZ66 1T6AA	1				D6	Saddle, Right
	RZ66 1C3AA	1				D6	Mist Gray, Right
	RZ67 1T6AA	1				J6	Saddle, Left
	RZ67 1C3AA	1				J6	Mist Gray, Left
	RZ66 1C3AA	1	U			J6	Mist Gray, Right
	RZ66 1T6AA	1	U			J6	Saddle, Right
	PY58 2C3	1				K5	Mist Gray, Right
	PY58 2T6	1				K5	Saddle, Right
	PY59 2T6	1				K5	Saddle, Left
	PY59 2C3	1				K5	Mist Gray, Left
	PY53 TJ4	1				M5	Moss, Left
	PY52 TJ4	1				M5	Moss, Right
4							BOLT, Shoulder, I.B.-Back To Cushion-Pivot
	4797 554	1				D6	
		1				J6	
		1				K5	
		1				M5	
5							U-NUT, Seat Back
	4713 982	1				D6	Without Easy Entry
		1				J6	Without Easy Entry
		1				K5	Without Easy Entry
		1				M5	Without Easy Entry
	4874 145	1				M5	With Easy Entry



TRIM D6 & J6



TRIM K5



TRIM M5

JEEP WRANGLER (TJ)

SERIES
L=Low Line

LINE
J = Wrangler 4WD
U = Wrangler 4WD (RHD)

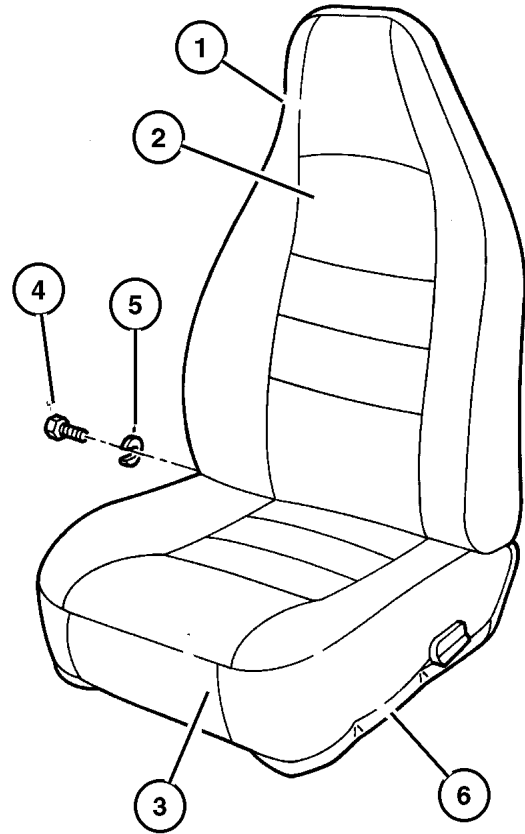
BODY
77 = 93.4 WB

ENGINE
EPE, EP0 = 2.5L Power Tech
ERH, ER0 = 4.0L Power Tech

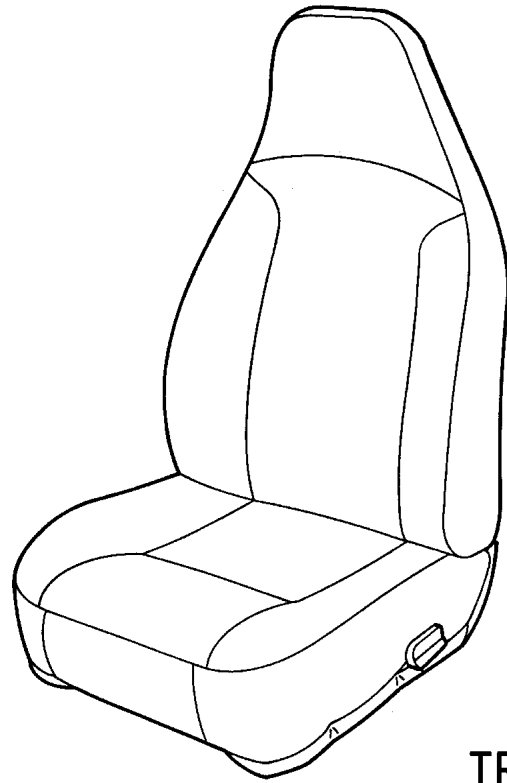
TRANSMISSION
DGG, DGD = 32RH 3 Spd. Auto.
DDQ = 5 Spd. Manual
DG0 = All Auto. Trans.
DBB =All Manual Trans.

Front Seats 1998 TJ
Figure ITJ-510

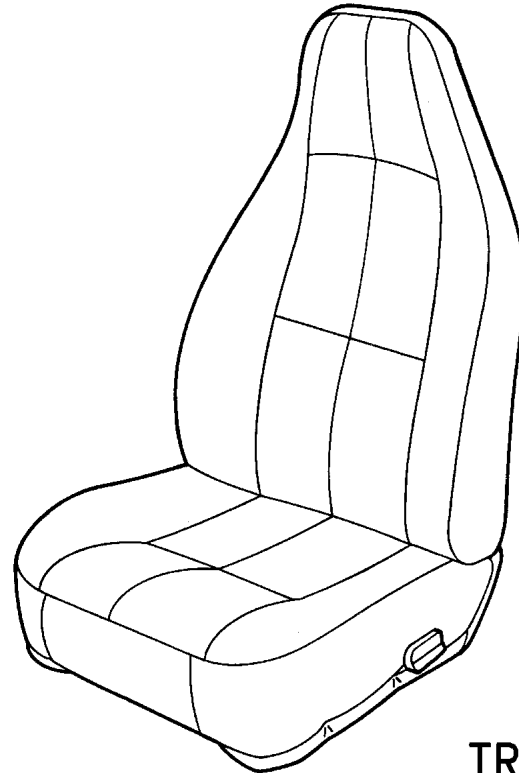
ITEM	PART NUMBER	QTY	LINE	SERIES	BODY	TRIM	DESCRIPTION
		1				K5	With Easy Entry
		1				J6	With Easy Entry
		1				D6	With Easy Entry
6							FRAME, Front Seat
	5012 160AA	1	J			J6	Right
		1	U			J6	Right
		1	U			K5	Right
		1	J			K5	Right
		1	U			M5	Right
		1	J			M5	Right
		1	J			D6	Right
		1	U			D6	Right
	5012 161AA	1				M5	Left
		1				K5	Left
		1				J6	Left
		1				D6	Left
-7	6502 137	2					BOLT, Hex Flange Head, M10x1.50x35



TRIM D6 & J6



TRIM K5



TRIM M5

JEEP WRANGLER (TJ)

SERIES
L=Low Line

LINE
J = Wrangler 4WD
U = Wrangler 4WD (RHD)

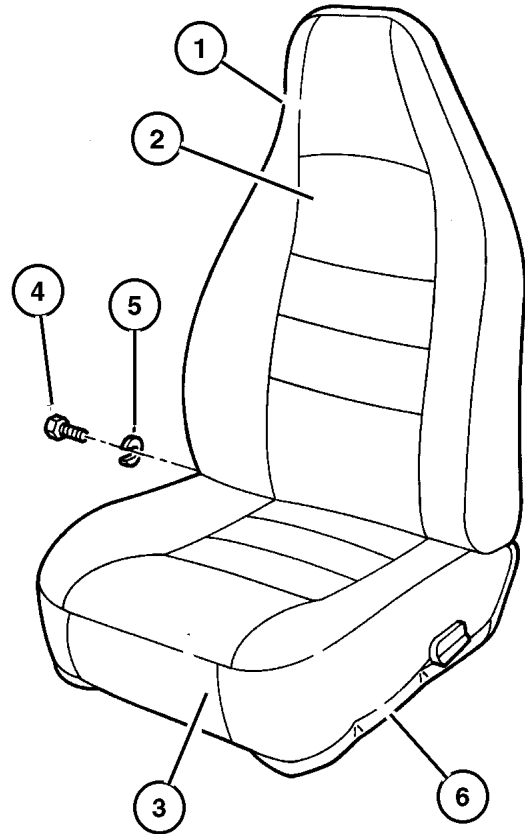
BODY
77 = 93.4 WB

ENGINE
EPE, EP0 = 2.5L Power Tech
ERH, ER0 = 4.0L Power Tech

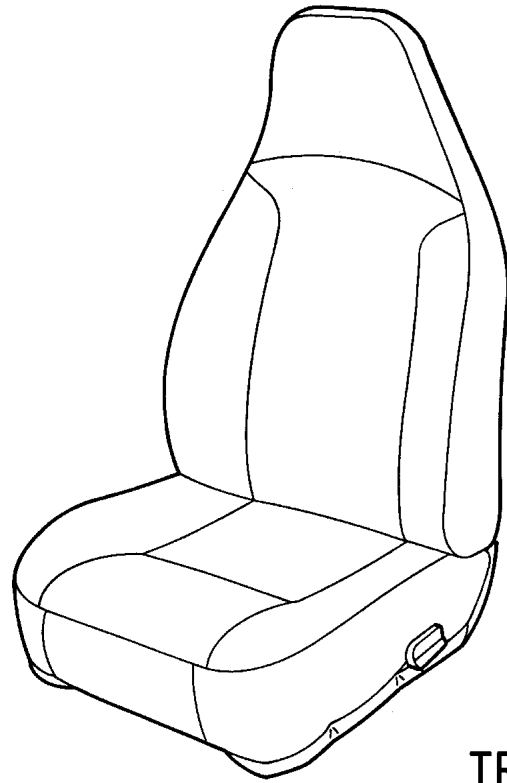
TRANSMISSION
DGG, DGD = 32RH 3 Spd. Auto.
DDQ = 5 Spd. Manual
DG0 = All Auto. Trans.
DBB =All Manual Trans.

Front Seats 1999 TJ
Figure ITJ-510

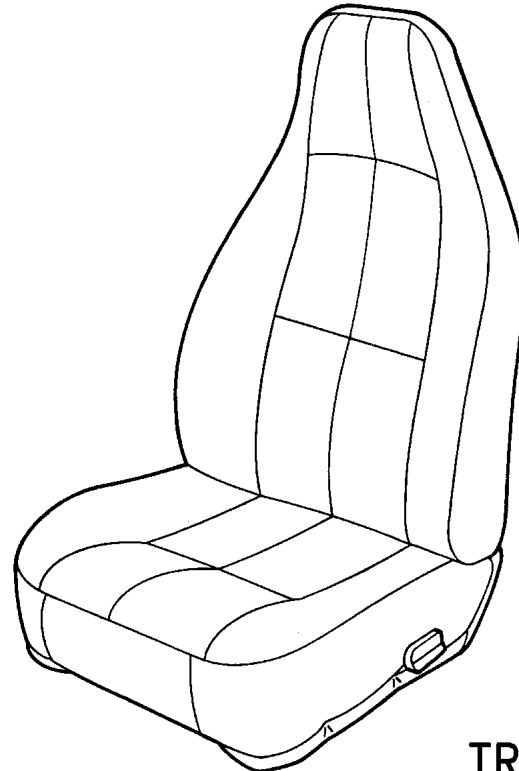
ITEM	PART NUMBER	QTY	LINE	SERIES	BODY	TRIM	DESCRIPTION
1							SEAT BACK, Front
	SG70 1AZAA	1				D6	Agate, Passenger
	SG70 1K5AA	1				D6	Camel, Passenger
	SG71 1AZAA	1				D6	Agate, Without Easy Entry, Driver
	SG71 1K5AA	1				D6	Camel, Without Easy Entry, Driver
	SG72 1AZAA	1	J			D6	Agate, Passenger,Export
		1	U			D6	Agate, Passenger,Export
	SG72 1K5AA	1	J			D6	Camel, Passenger,Export
		1	U			D6	Camel, Passenger,Export
	SG70 1AZAA	1				J6	Agate, Passenger
	SG70 1K5AA	1				J6	Camel, Passenger
	SG71 1AZAA	1				J6	Agate, Without Easy Entry, Driver
	SG71 1K5AA	1				J6	Camel, Without Easy Entry, Driver
	SG72 1AZAA	1	J			J6	Agate, Passenger,Export
		1	U			J6	Agate, Passenger,Export
	SG72 1K5AA	1	J			J6	Camel, Passenger,Export
	SG73 1K5AA	1	U			J6	Camel, With Easy Entry, Driver,Export
		1	J			J6	Camel, With Easy Entry, Driver,Export
	SG73 1AZAA	1	U			J6	Agate, With Easy Entry, Driver,Export
		1	J			J6	Agate, With Easy Entry, Driver,Export
	SG72 1K5AA	1	U			J6	Camel, Passenger,Export
	SG76 1AZAA	1				K5	Agate, Passenger
	SG76 1K5AA	1				K5	Camel, Passenger
	SG77 1AZAA	1				K5	Agate, With Easy Entry, Driver
	SG77 1K5AA	1				K5	Camel, With Easy Entry, Driver
	SG78 1AZAA	1	J			K5	Agate, Passenger,Export
		1	U			K5	Agate, Passenger,Export
	SG78 1K5AA	1	J			K5	Camel, Passenger,Export
		1	U			K5	Camel, Passenger,Export
	SG66 1KGAA	1				M5	Moss, Passenger
	SG67 1KGAA	1				M5	Moss, Driver
	SG68 1KGAA	1	J			M5	Moss, Passenger,Export
2							COVER, Front Seat Back
	SG79 1AZAA	1	J			J6	Agate, With Easy Entry, Driver,Export
		1	U			J6	Agate, With Easy Entry, Driver,Export
		1	J			D6	Agate, With Easy Entry, Driver,Export
		1	U			D6	Agate, With Easy Entry, Driver,Export
	SG79 1K5AA	1	J			J6	Camel, With Easy Entry, Driver,Export
		1	U			J6	Camel, With Easy Entry, Driver,Export
		1	J			D6	Camel, With Easy Entry, Driver,Export
		1	U			D6	Camel, With Easy Entry, Driver,Export
	SG80 1KGAA	1				M5	Moss, Passenger
	SG81 1KGAA	1				M5	Moss, Driver



TRIM D6 & J6



TRIM K5



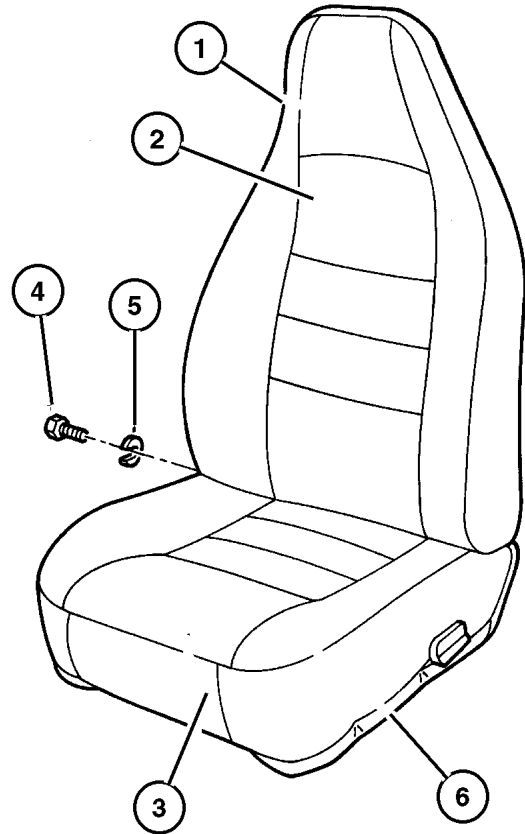
TRIM M5

JEEP WRANGLER (TJ)

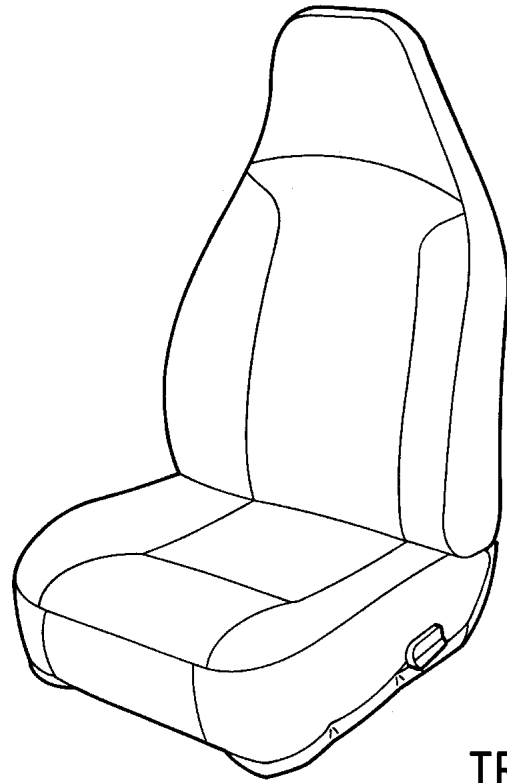
SERIES	LINE	BODY	ENGINE	TRANSMISSION
L=Low Line	J = Wrangler 4WD U = Wrangler 4WD (RHD)	77 = 93.4 WB	EPE, EP0 = 2.5L Power Tech ERH, ER0 = 4.0L Power Tech	DGG, DGD = 32RH 3 Spd. Auto. DDQ = 5 Spd. Manual DG0 = All Auto. Trans. DBB =All Manual Trans.

Front Seats 1999 TJ
Figure ITJ-510

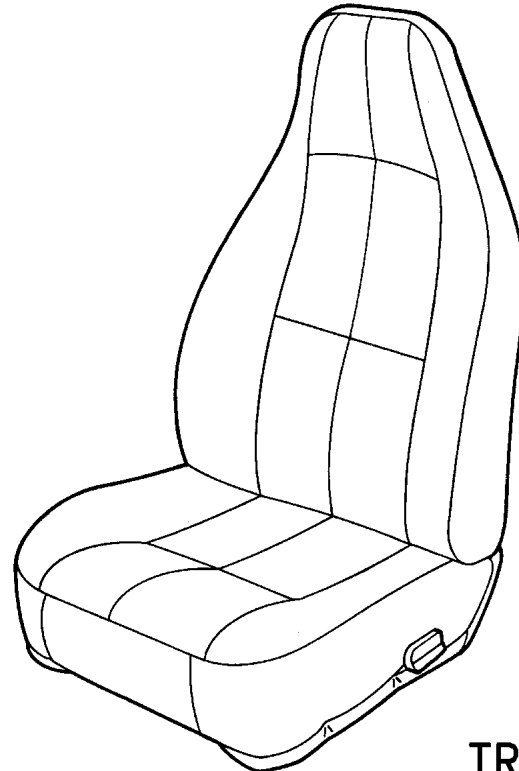
ITEM	PART NUMBER	QTY	LINE	SERIES	BODY	TRIM	DESCRIPTION
	SG82 1AZAA	1				J6	Agate, Passenger
		1				D6	Agate, Passenger
	SG82 1K5AA	1				J6	Camel, Passenger
		1				D6	Camel, Passenger
	SG83 1AZAA	1				D6	Agate, Without Easy Entry
		1				J6	Agate, Without Easy Entry, Driver
	SG83 1K5AA	1				J6	Camel, Without Easy Entry
		1				D6	Camel, Without Easy Entry
	SG84 1AZAA	1				K5	Agate, Passenger
	SG84 1K5AA	1				K5	Camel, Passenger
	SG85 1AZAA	1				K5	Agate, With Easy Entry, Driver
	SG85 1K5AA	1				K5	Camel, With Easy Entry, Driver
3							COVER AND PAD, Cushion
	PY52 1KG	1				M5	Moss, Right
	PY53 1KG	1				M5	Moss, Left
	PY58 1AZ	1				K5	Agate, Right
	PY58 1K5	1				K5	Camel, Right
	PY59 1AZ	1				K5	Agate, Left
	PY59 1K5	1				K5	Camel, Left
	RZ66 1AZAA	1				J6	Agate, Right
		1				D6	Agate, Right
	RZ66 1K5AA	1				J6	Camel, Right
		1				D6	Camel, Right
	RZ67 1AZAA	1				J6	Agate, Left
		1				D6	Agate, Left
	RZ67 1K5AA	1				J6	Camel, Left
		1				D6	Camel, Left
4							BOLT, Shoulder, I.B.-Back To Cushion-Pivot
	4797 554	1				D6	
		1				J6	
		1				K5	
		1				M5	
5							U-NUT, Seat Back
	4713 982	2				D6	Without Easy Entry
		1				J6	Without Easy Entry
		1				K5	Without Easy Entry
		1				M5	Without Easy Entry
	4874 145	1				M5	With Easy Entry
		1				K5	With Easy Entry
		1				D6	With Easy Entry
		1				J6	With Easy Entry
6							FRAME, Front Seat
	5012 160AA	1	J			D6	Right



TRIM D6 & J6



TRIM K5



TRIM M5

JEEP WRANGLER (TJ)

SERIES
L=Low Line

LINE
J = Wrangler 4WD
U = Wrangler 4WD (RHD)

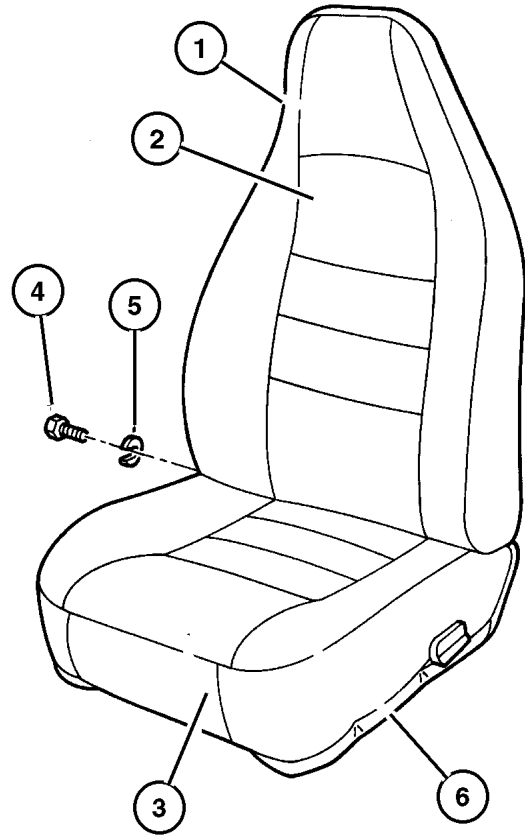
BODY
77 = 93.4 WB

ENGINE
EPE, EP0 = 2.5L Power Tech
ERH, ER0 = 4.0L Power Tech

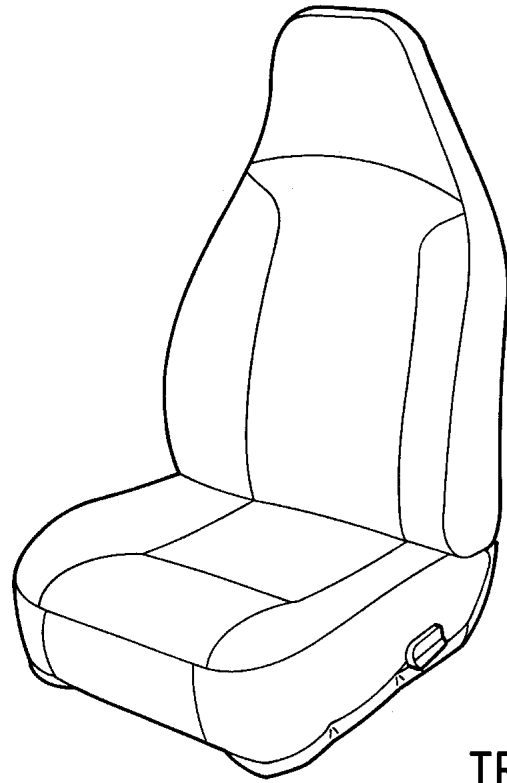
TRANSMISSION
DGG, DGD = 32RH 3 Spd. Auto.
DDQ = 5 Spd. Manual
DG0 = All Auto. Trans.
DBB =All Manual Trans.

Front Seats 1999 TJ
Figure ITJ-510

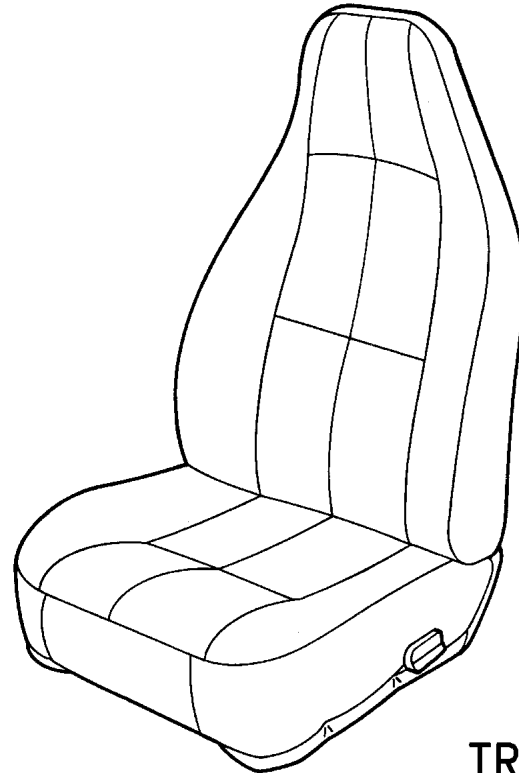
ITEM	PART NUMBER	QTY	LINE	SERIES	BODY	TRIM	DESCRIPTION
		1	U			D6	Right
	5012 161AA	1				D6	Left
	5012 160AA	1	J			J6	Right
		1	U			J6	Right
	5012 161AA	1				J6	Left
	5012 160AA	1	U			K5	Right
		1	J			K5	Right
	5012 161AA	1				K5	Left
	5012 160AA	1	J			M5	Right
		1	U			M5	Right
	5012 161AA	1				M5	Left
-7	6502 137	2					BOLT, Hex Flange Head, M10x1.50x35



TRIM D6 & J6



TRIM K5



TRIM M5

JEEP WRANGLER (TJ)

SERIES
L=Low Line

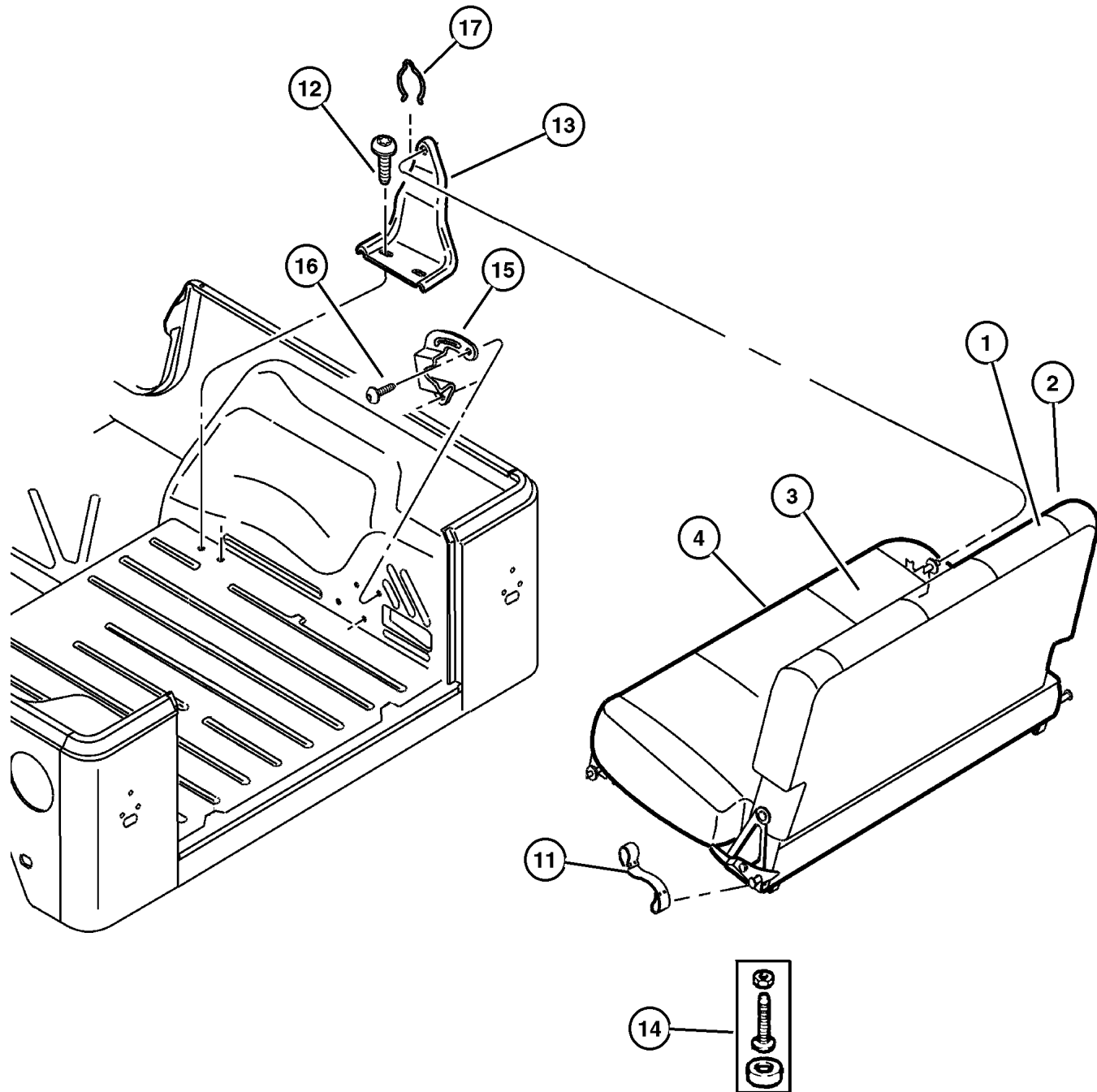
LINE
J = Wrangler 4WD
U = Wrangler 4WD (RHD)

BODY
77 = 93.4 WB

ENGINE
EPE, EP0 = 2.5L Power Tech
ERH, ER0 = 4.0L Power Tech

TRANSMISSION
DGG, DGD = 32RH 3 Spd. Auto.
DDQ = 5 Spd. Manual
DG0 = All Auto. Trans.
DBB =All Manual Trans.

Seat Assemblies, Seat Covers Rear Seat Wrangler 1997 TJ
Figure ITJ-610



ITEM	PART NUMBER	QTY	LINE	SERIES	BODY	TRIM	DESCRIPTION
Trim Code "D6" does not come with a rear seat. Rear seats are available through the accessories catalog. 82202302 Saddle or 82202303 Mist Gray J=Dana 35 Rear Axle---DRK=Dana 44 Rear Axle							
1							COVER, Rear Seat Back
	PY70 TJ4	1				M5	Moss
	PY83 TC3	1				K5	Mist Gray
	PY83 TTB	1				K5	Saddle
	PY87 TC3	1			77	J6	Mist Gray
	PY87 TT6	1			77	J6	Saddle
2							SEAT BACK, Rear
	PY43 TJ4	1				M5	Moss
	PY48 TC3	1				K5	Mist Gray
	PY48 TTB	1				K5	Saddle
	PY50 TC3	1			77	J6	Mist Gray
	PY50 TT6	1			77	J6	Saddle
3							COVER, Rear Seat Cushion
	PY82 TJ4	1			77	M5	Moss, Up to 2-3-97
	PY86 TC3	1				K5	Mist Gray, Up to 2-3-97
	PY86 TTB	1				K5	Saddle, Up to 2-3-97
	PY88 TC3	1			77	J6	Mist Gray, Up to 2-3-97
	PY88 TT6	1			77	J6	Saddle, Up to 2-3-97
	RH46 1TJAA	1				M5	Moss, After 2-3-97
	RH47 1C3AA	1				K5	Mist Gray, After 2-3-97
	RH47 1T6AA	1				K5	Saddle, After 2-3-97
	RH48 1C3AA	1				J6	Mist Gray, After 2-3-97
	RH48 1T6AA	1				J6	Saddle, After 2-3-97
4							CUSHION, Rear Seat
	PY47 TJ4	1				M5	Moss, Up to 2-3-97
	PY49 TC3	1				K5	Mist Gray, Up to 2-3-97
	PY49 TTB	1				K5	Saddle, Up to 2-3-97
	PY51 TC3	1			77	J6	Mist Gray, Up to 2-3-97
	PY51 TT6	1			77	J6	Saddle, Up to 2-3-97
	RH11 1TJAA	1				M5	Moss, After 2-3-97
	RH13 1C3AA	1				K5	Mist Gray, After 2-3-97
	RH13 1T6AA	1				K5	Saddle, After 2-3-97
	RH39 1C3AA	1				J6	Mist Gray, After 2-3-97
	RH39 1T6AA	1				J6	Saddle, After 2-3-97
-5							LEVER, Rear Seat Release
	4713 794	1				M5	
		1			77	K5	
		1			77	J6	
-6							RIVNUT, Seat Latch Cover
	4728 280	2			77	M5	
		2			77	K5	

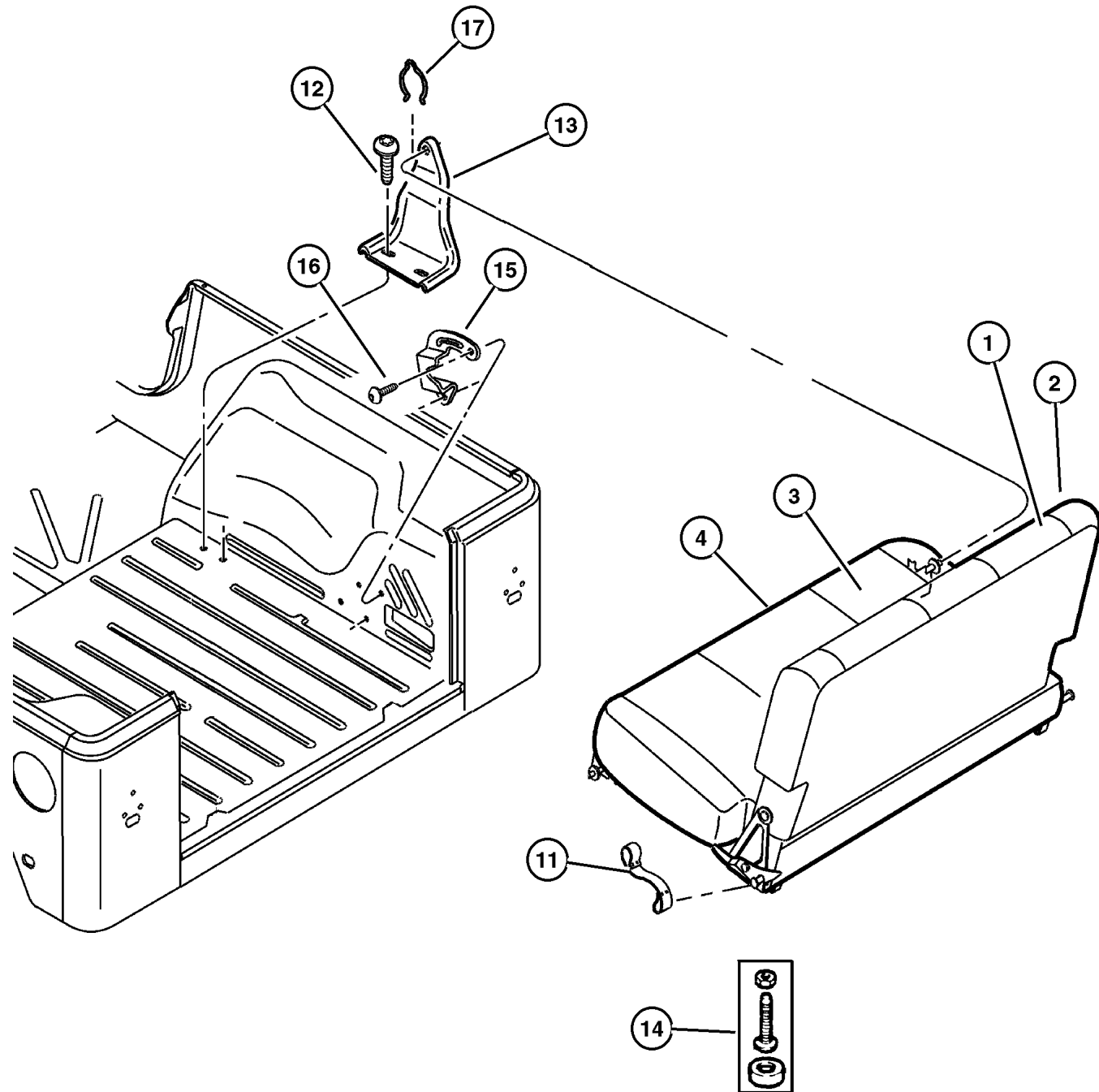
JEEP WRANGLER (TJ)

SERIES	LINE	BODY	ENGINE	TRANSMISSION
L=Low Line	J = Wrangler 4WD U = Wrangler 4WD (RHD)	77 = 93.4 WB	EPE, EP0 = 2.5L Power Tech ERH, ER0 = 4.0L Power Tech	DGG, DGD = 32RH 3 Spd. Auto. DDQ = 5 Spd. Manual DG0 = All Auto. Trans. DBB =All Manual Trans.

AR = Use as required - = Non illustrated part # = New this model year

June 7, 2002

Seat Assemblies, Seat Covers Rear Seat Wrangler 1997 TJ
Figure ITJ-610



ITEM	PART NUMBER	QTY	LINE	SERIES	BODY	TRIM	DESCRIPTION
-7		2			77	J6	SPRING, Seat Release Lever
	4713 795	1			77	M5	
		1			77	K5	
		1			77	J6	
-8		2			77	M5	WASHER, Rear Seat Pivot, Black Nylon
	4713 799	2			77	K5	
		2			77	J6	
-9		3			77	M5	BOLT, Shoulder Torx, Shoulder, (Seat Back Pivot and Release Lever)
	4638 585	3			77	K5	Torx, Shoulder, (Seat Back Pivot and Release Lever)
		3			77	J6	Torx, Shoulder, (Seat Back Pivot and Release Lever)
-10		4				M5	U-NUT, Seat Back, Used with Bolt 4638585
	4713 982	4				K5	
		4				J6	
		2			77	J6	
		2			77	D6	
11	5519 6450	1					STRAP, Retaining
12		4	J		77		SCREW AND WASHER, Hex Head, M8x1.25x35
	6500 664	4	U		77		
13		1					BRACKET, Rear Seat Pivot Right
	5521 7130	1					Left
14		1					BUMPER, Seat
	4874 151	3				M5	Cushion Base
		3				K5	Cushion Base
		2			77	J6	Cushion Base
15		1					BRACKET, Seat Latch
	5521 7128	1					Rear Seat Lock Striker, Right
	5521 7129	1					Rear Seat Lock Striker, Left
16	6034 564	4					SCREW, Pan Head, .312-18x1
17	6504 571	2					PIN, Rear Seat, Spring Wire

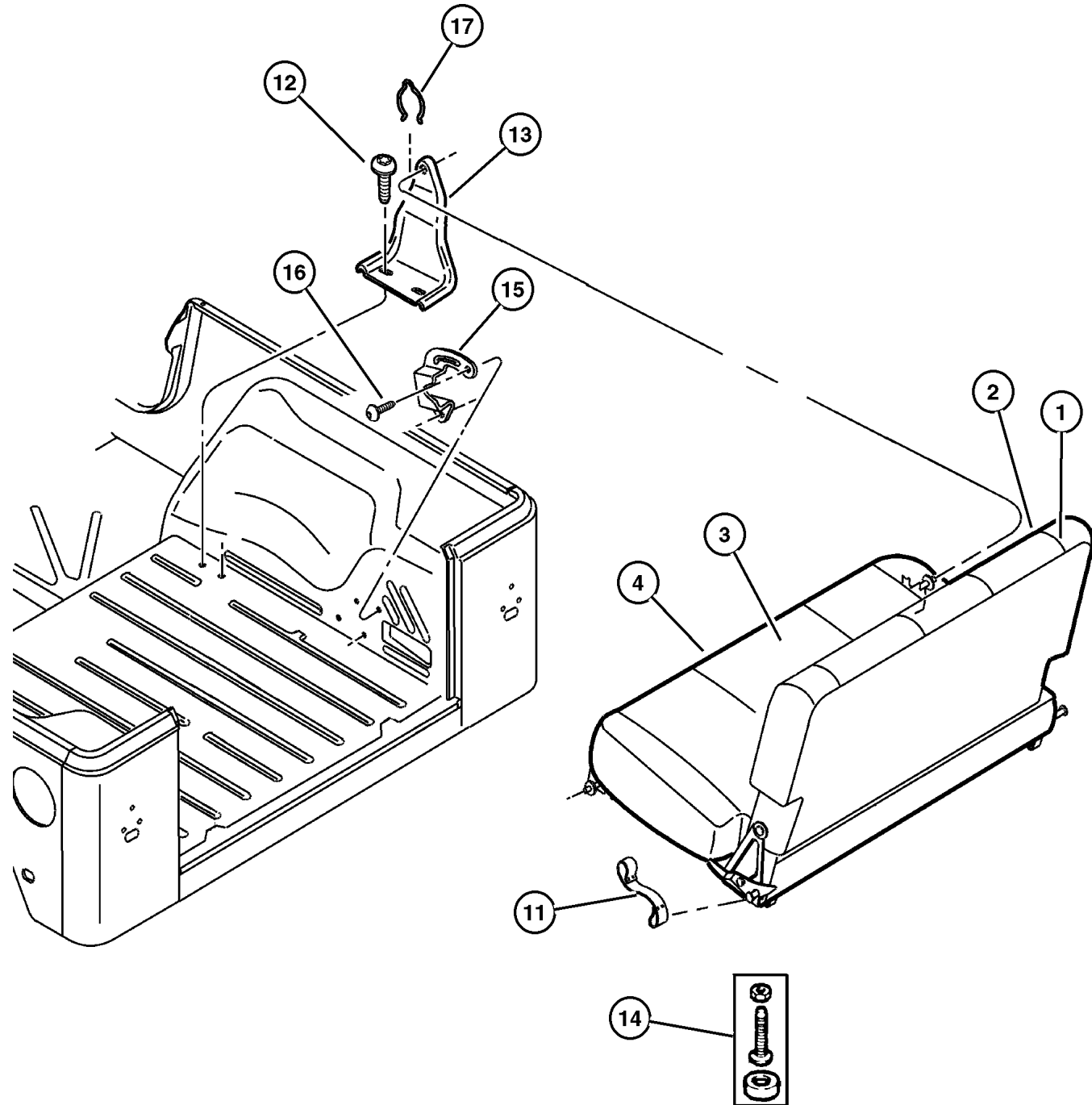
JEEP WRANGLER (TJ)

SERIES	LINE	BODY	ENGINE	TRANSMISSION
L=Low Line	J = Wrangler 4WD U = Wrangler 4WD (RHD)	77 = 93.4 WB	EPE, EP0 = 2.5L Power Tech ERH, ER0 = 4.0L Power Tech	DGG, DGD = 32RH 3 Spd. Auto. DDQ = 5 Spd. Manual DG0 = All Auto. Trans. DBB =All Manual Trans.

AR = Use as required - = Non illustrated part # = New this model year

June 7, 2002

Seat Assemblies, Seat Covers Rear Seat Wrangler 1998 TJ Figure ITJ-610



ITEM	PART NUMBER	QTY	LINE	SERIES	BODY	TRIM	DESCRIPTION
Trim Code "D6" does not come with a rear seat. J=Dana 35 Rear Axle---DRK=Dana 44 Rear Axle							
1							COVER, Rear Seat Back
	PY70 TJ4	1				M5	Moss
	PY83 2C3	1				K5	Mist Gray
	PY83 2T6	1				K5	Saddle
	PY87 TC3	1				J6	Mist Gray
	PY87 TT6	1				J6	Saddle
2							SEAT BACK, Rear
	PY43 1TJ	1				M5	Export
	PY43 TJ4	1				M5	Moss
	PY48 2C3	1				K5	Mist Gray
	PY48 2T6	1				K5	Saddle
	PY50 TC3	1				J6	Mist Gray
	PY50 TT6	1				J6	Saddle
3							COVER, Rear Seat Cushion
	RH46 1TJAA	1				M5	Moss
	RH47 2C3AA	1				K5	Mist Gray
	RH48 1C3AA	1				J6	Mist Gray
	RH48 1T6AA	1				J6	Saddle
4							CUSHION, Rear Seat
	RH11 1TJAA	1				M5	Moss
	RH13 2C3AA	1				K5	Mist Gray
	RH13 2T6AA	1				K5	Saddle
	RH39 1C3AA	1				J6	Mist Gray
	RH39 1T6AA	1				J6	Saddle
-5							LEVER, Rear Seat Release
	4713 794	1				M5	
		1				K5	
		1				J6	
-6							RIVNUT, Seat Latch Cover, (NOT REQUIRED)
-7							SPRING, Seat Release Lever
	4713 795	1				M5	
		1				K5	
		1				J6	
-8							WASHER, Rear Seat Pivot, Black Nylon
	4713 799	2				M5	
		2				K5	
		2				J6	
-9							BOLT, Shoulder
	4638 585	3				M5	
		3				K5	
		3				J6	
-10							U-NUT, Seat Back, Used with Bolt 4638585

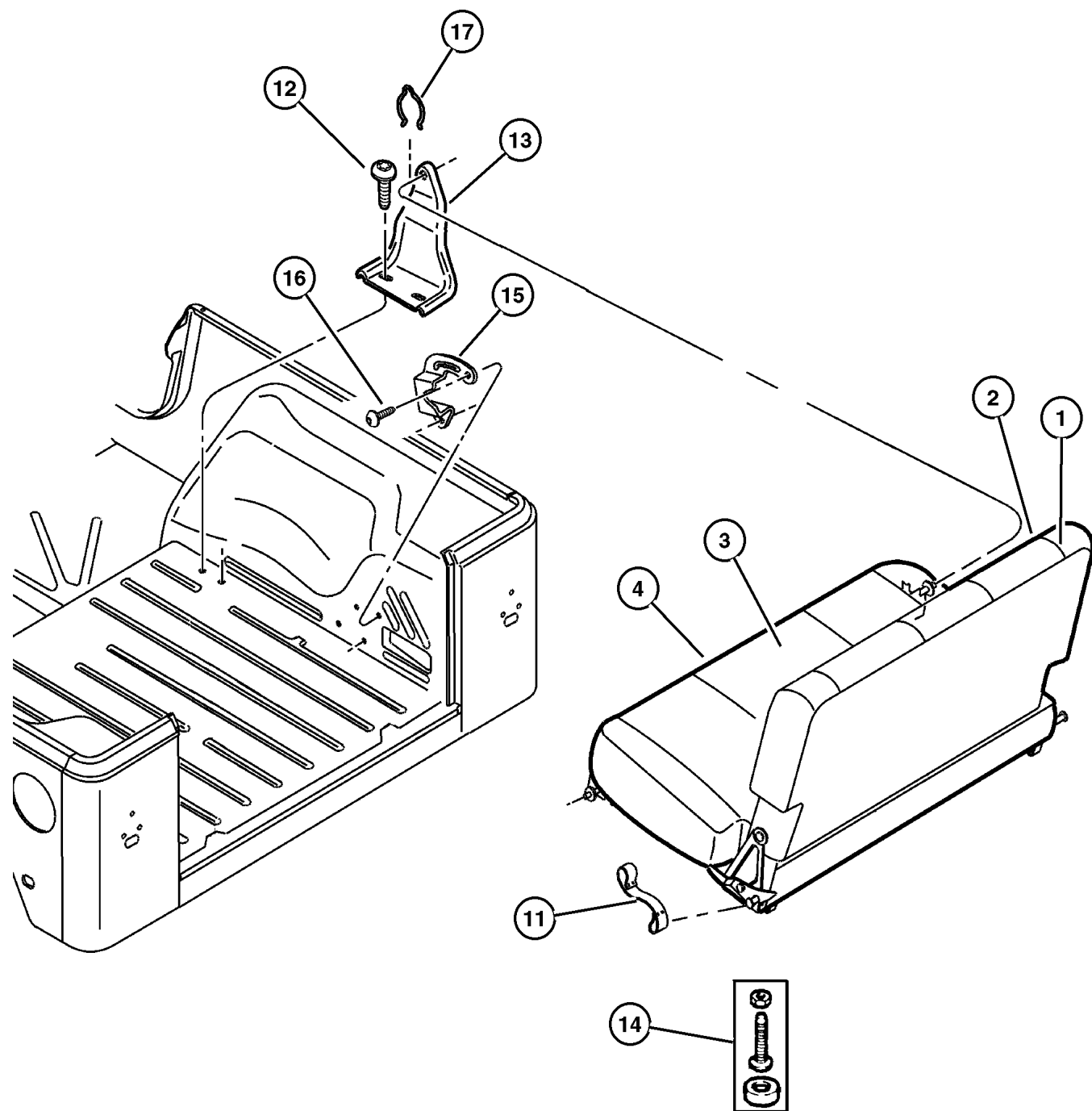
JEEP WRANGLER (TJ)

SERIES	LINE	BODY	ENGINE	TRANSMISSION
L=Low Line	J = Wrangler 4WD U = Wrangler 4WD (RHD)	77 = 93.4 WB	EPE, EP0 = 2.5L Power Tech ERH, ER0 = 4.0L Power Tech	DGG, DGD = 32RH 3 Spd. Auto. DDQ = 5 Spd. Manual DG0 = All Auto. Trans. DBB =All Manual Trans.

AR = Use as required - = Non illustrated part # = New this model year

June 7, 2002

Seat Assemblies, Seat Covers Rear Seat Wrangler 1998 TJ
Figure ITJ-610

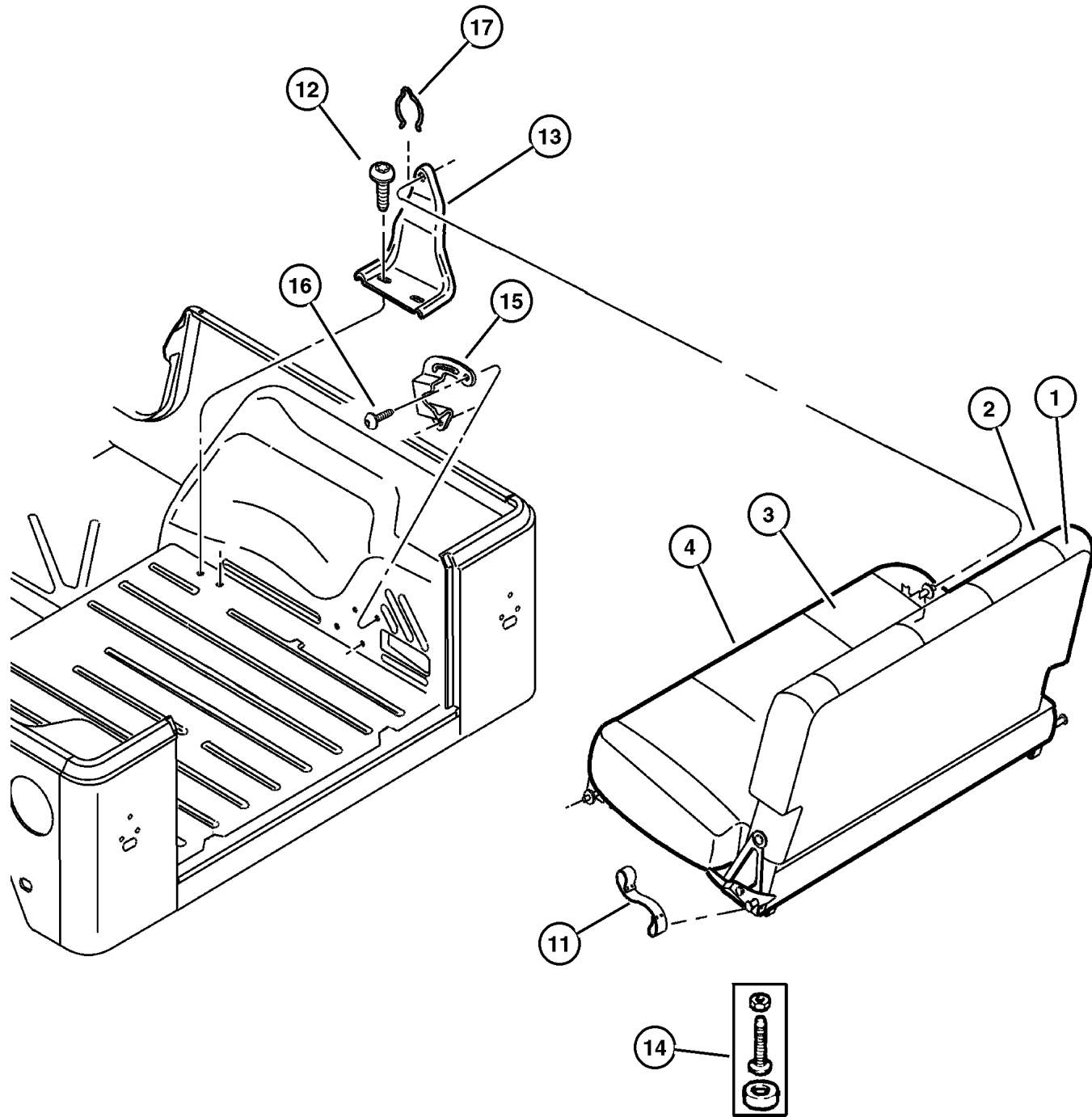


ITEM	PART NUMBER	QTY	LINE	SERIES	BODY	TRIM	DESCRIPTION
	4713 982	4				M5	
		4				K5	
		4				J6	
11	5519 6450	1					STRAP, Retaining
12	6500 664	6					SCREW AND WASHER, Hex Head, M8x1.25x35
13							BRACKET, Rear Seat Pivot
	5521 7130	1					Right
	5521 7131	1					Left
14							BUMPER, Seat
	4874 151	3				M5	Cushion Base
		3				K5	Cushion Base
		3				J6	Cushion Base
15							BRACKET, Seat Latch
	5521 7128	1					Rear Seat Lock Striker, Right
	5521 7129	1					Rear Seat Lock Striker, Left
16	6034 564	4					SCREW, Pan Head, .312-18x1
17	6504 571	2					PIN, Rear Seat

JEEP WRANGLER (TJ)

SERIES	LINE	BODY	ENGINE	TRANSMISSION
L=Low Line	J = Wrangler 4WD U = Wrangler 4WD (RHD)	77 = 93.4 WB	EPE, EP0 = 2.5L Power Tech ERH, ER0 = 4.0L Power Tech	DGG, DGD = 32RH 3 Spd. Auto. DDQ = 5 Spd. Manual DG0 = All Auto. Trans. DBB =All Manual Trans.

Seat Assemblies, Seat Covers Rear Seat Wrangler 1999 TJ
Figure ITJ-610



ITEM	PART NUMBER	QTY	LINE	SERIES	BODY	TRIM	DESCRIPTION
Trim Code "D6" does not come with a rear seat. J=Dana 35 Rear Axle---DRK=Dana 44 Rear Axle							
1							COVER, Rear Seat Back
	PY87 1AZ	1				J6	Agate
	PY87 1K5	1				J6	Camel
	PY83 1AZ	1				K5	Agate
	PY83 1K5	1				K5	Camel
	PY70 1KG	1				M5	Dark Green
2							SEAT BACK, Rear
	PY50 1AZ	1				J6	Agate
	PY50 1K5	1				J6	Camel
	PY48 1AZ	1				K5	Agate
	PY48 1K5	1				K5	Camel
	PY43 1KG	1				M5	Dark Green
3							COVER, Rear Seat Cushion
	RH48 1AZAA	1				J6	Agate
	RH48 1K5AA	1				J6	Camel
	RH47 1AZAA	1				K5	Agate
	RH47 1K5AA	1				K5	Camel
	RH46 1KGAA	1				M5	Dark Green
4							CUSHION, Rear Seat
	RH39 1AZAA	1				J6	Agate
	RH39 1K5AA	1				J6	Camel
	RH13 1AZAA	1				K5	Agate
	RH13 1K5AA	1				K5	Camel
	RH11 1KGAA	1				M5	Dark Green
-5							LEVER, Rear Seat Release
	4713 794	1				J6	
		1				K5	
		1				M5	
-6							RIVNUT, Seat Latch Cover, (NOT REQUIRED)
-7							SPRING, Seat Release Lever
	4713 795	1				J6	
		1				K5	
		1				M5	
-8							WASHER, Rear Seat Pivot, Black Nylon
	4713 799	2				J6	
		2				K5	
		2				M5	
-9							BOLT, Shoulder
	4638 585	3				J6	
		3				K5	
		3				M5	
-10							U-NUT, Seat Back, Used with Bolt 4638585

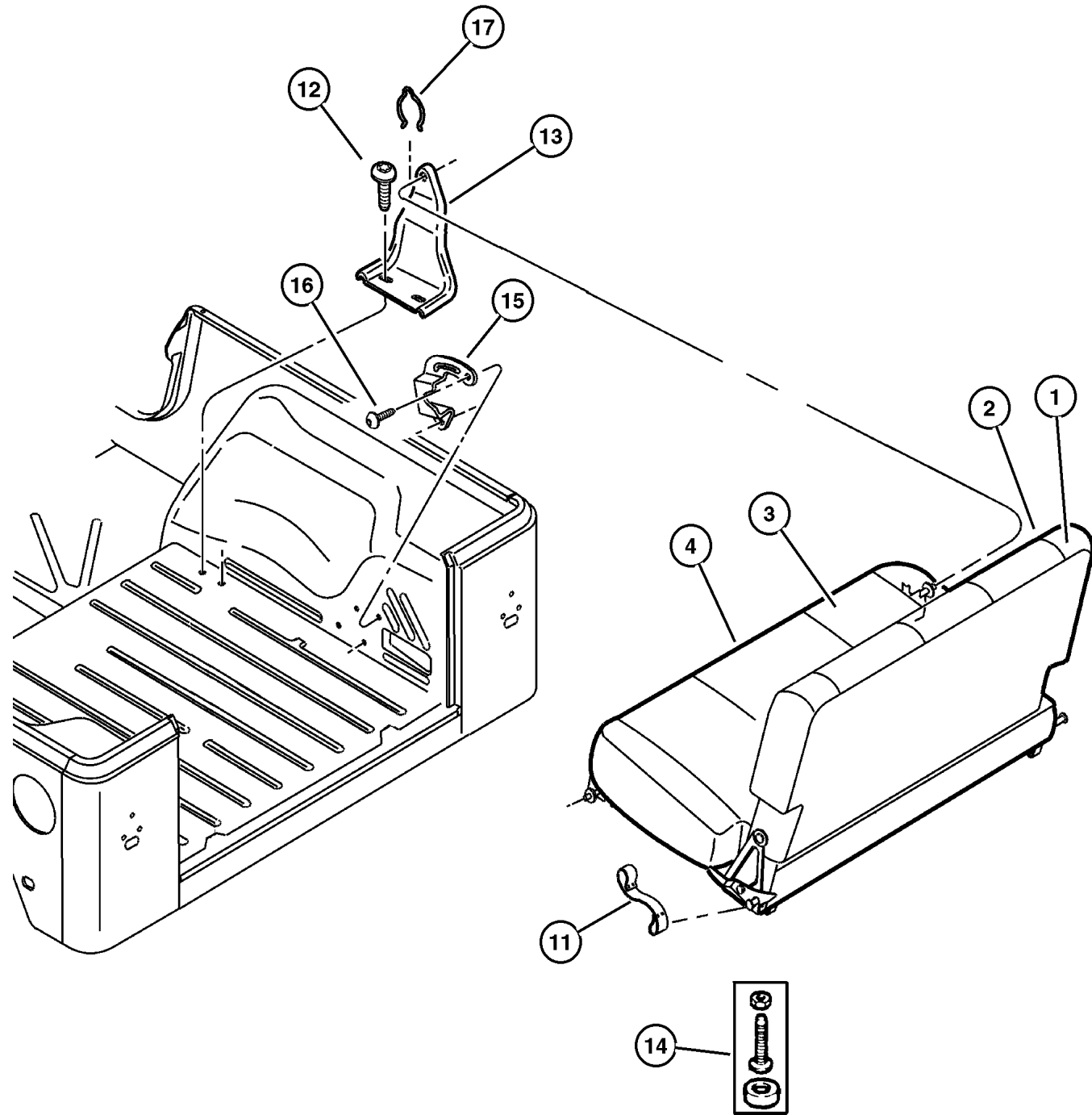
JEEP WRANGLER (TJ)

SERIES	LINE	BODY	ENGINE	TRANSMISSION
L=Low Line	J = Wrangler 4WD U = Wrangler 4WD (RHD)	77 = 93.4 WB	EPE, EP0 = 2.5L Power Tech ERH, ER0 = 4.0L Power Tech	DGG, DGD = 32RH 3 Spd. Auto. DDQ = 5 Spd. Manual DG0 = All Auto. Trans. DBB =All Manual Trans.

AR = Use as required - = Non illustrated part # = New this model year

June 7, 2002

Seat Assemblies, Seat Covers Rear Seat Wrangler 1999 TJ
Figure ITJ-610



ITEM	PART NUMBER	QTY	LINE	SERIES	BODY	TRIM	DESCRIPTION
	4713 982	4				J6	
		4				K5	
		4				M5	
11	5519 6450	1					STRAP, Retaining
12	6500 664	2					SCREW AND WASHER, Hex Head, M8x1.25x35
13							BRACKET, Rear Seat Pivot
	55217 130AB	1					Right
	55217 131AB	1					Left
14							BUMPER, Seat
	4874 151	3				J6	Cushion Base
		3				K5	Cushion Base
		3				M5	Cushion Base
15							BRACKET, Seat Latch
	5521 7128	1					Right
	5521 7129	1					Left
16	6034 564	1					SCREW, Pan Head, .312-18x1
17	6504 571	2					PIN, Rear Seat

JEEP WRANGLER (TJ)

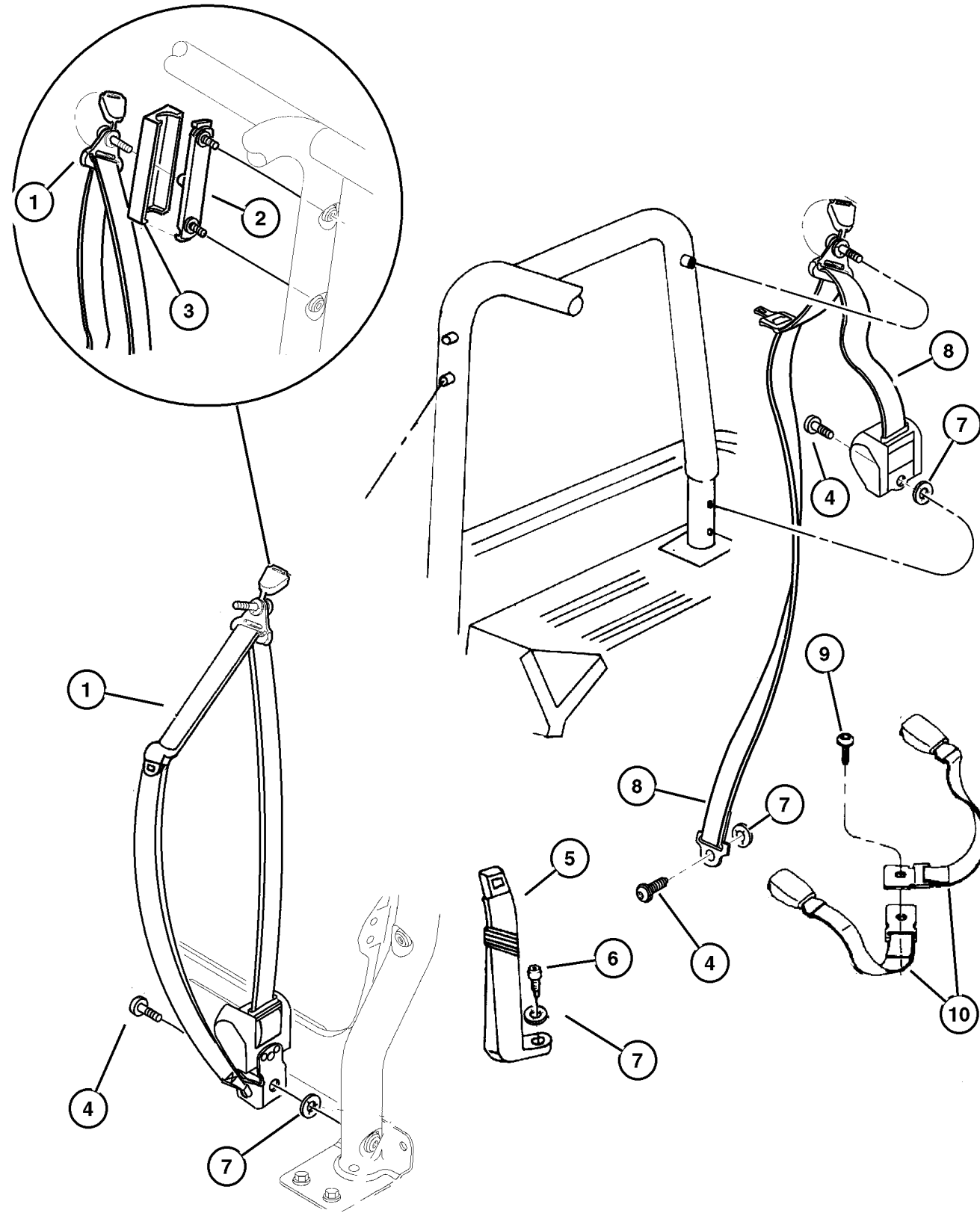
SERIES	LINE	BODY	ENGINE	TRANSMISSION
L=Low Line	J = Wrangler 4WD U = Wrangler 4WD (RHD)	77 = 93.4 WB	EPE, EP0 = 2.5L Power Tech ERH, ER0 = 4.0L Power Tech	DGG, DGD = 32RH 3 Spd. Auto. DDQ = 5 Spd. Manual DG0 = All Auto. Trans. DBB =All Manual Trans.

AR = Use as required - = Non illustrated part # = New this model year

June 7, 2002

Seat Belts Wrangler 1997 TJ 1998 TJ
Figure ITJ-710

ITEM	PART NUMBER	QTY	LINE	SERIES	BODY	TRIM	DESCRIPTION
1							SEAT BELT, Retractor
	5EV7 0TAZ	1	J		77		1997 TJ, Right
		1	U		77		1997 TJ, Right
		1					1998 TJ, Right
	5EV7 1TAZ	1	J		77		1997 TJ, Left
		1	U		77		1997 TJ, Left
		1					1998 TJ, Left
	5EV7 2TAZ	1	J		77		1997 TJ, Right,Export
		1	U		77		1997 TJ, Right,Export
		1					1998 TJ, Right,Export
	5EV7 3TAZ	1	J		77		1997 TJ, Left,Export
		1	U		77		1997 TJ, Left,Export
		1					1998 TJ, Left,Export
2	5521 7173	2					ADJUSTER, Seat Belt Turning Loop
3	5EZ7 0TAZ	2					COVER, Turning Loop
4	6034 385	2					SCREW, Pan Head, .437-20x1.38
5							SEAT BELT, Buckle Half
	5FU0 6LAZ	1				D6	Right
		1				J6	Right
		1				K5	Right
		1				M5	Right
	5FU0 7LAZ	1				D6	Left
		1				J6	Left
		1				K5	Left
		1				M5	Left
	5FU0 8LAZ	1				D6	1997 TJ, Left,Export
		1				J6	1997 TJ, Left,Export
		1				K5	1997 TJ, Left,Export
		1				M5	1997 TJ, Left,Export
		1	U			K5	1998 TJ, Left,Export
		1	U			J6	1998 TJ, Left,Export
		1	U			D6	1998 TJ, Left,Export
		1	J			M5	1998 TJ, Left,Export
	5FV3 4LAZ	1	U			D6	Right,Export
		1	U			J6	Right,Export
		1	U			K5	Right,Export
		1	U			M5	Right,Export
6							BOLT, Seat Belt
	4874 129	2			77	M5	1997 TJ
		2			77	K5	1997 TJ
		2			77	J6	1997 TJ
		2			77	D6	1997 TJ
		2				M5	1998 TJ



JEEP WRANGLER (TJ)

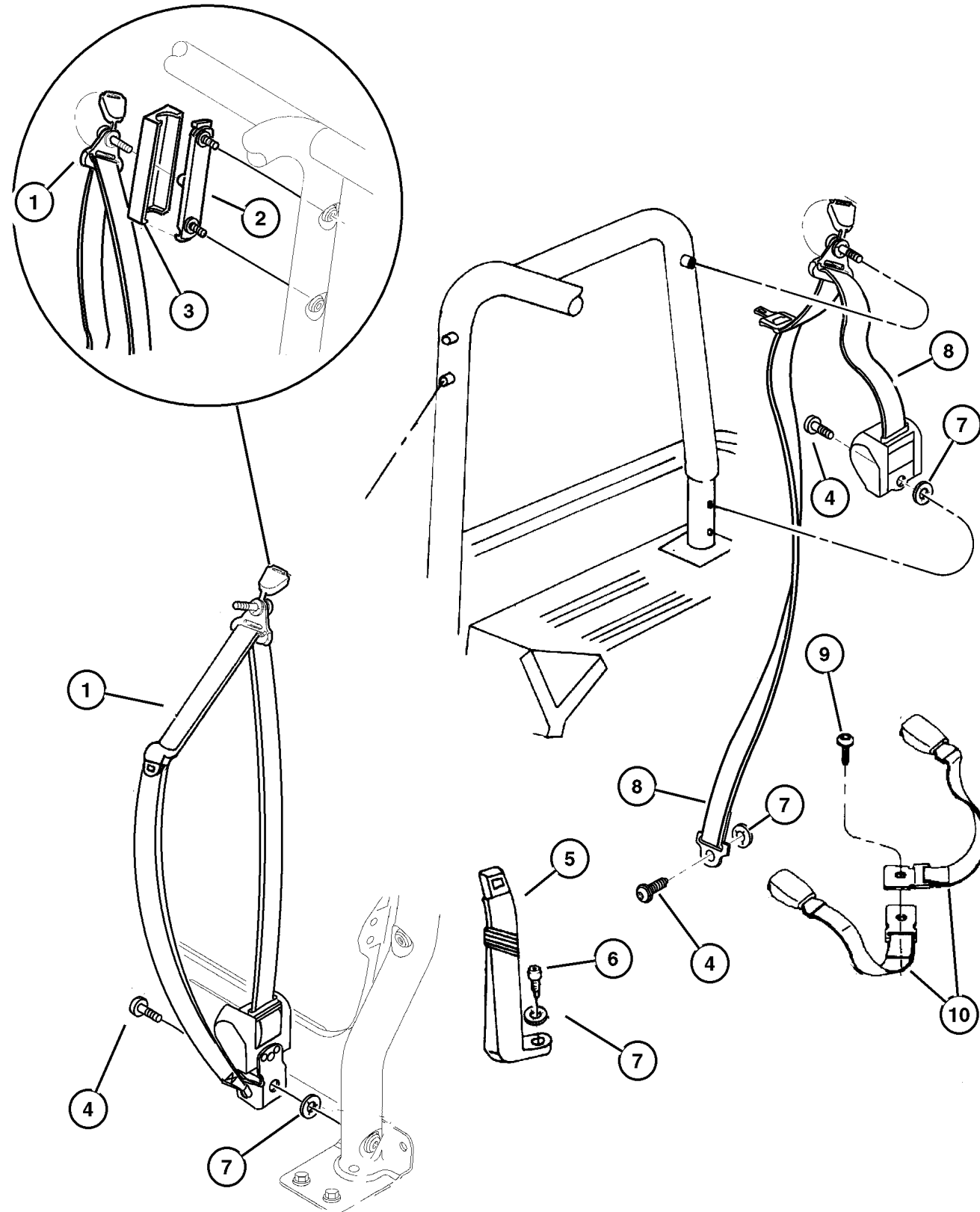
SERIES	LINE	BODY	ENGINE	TRANSMISSION
L=Low Line	J = Wrangler 4WD U = Wrangler 4WD (RHD)	77 = 93.4 WB	EPE, EP0 = 2.5L Power Tech ERH, ER0 = 4.0L Power Tech	DGG, DGD = 32RH 3 Spd. Auto. DDQ = 5 Spd. Manual DG0 = All Auto. Trans. DBB =All Manual Trans.

AR = Use as required - = Non illustrated part # = New this model year

June 7, 2002

Seat Belts Wrangler 1997 TJ 1998 TJ
Figure ITJ-710

ITEM	PART NUMBER	QTY	LINE	SERIES	BODY	TRIM	DESCRIPTION
		2				K5	1998 TJ
		2				J6	1998 TJ
		2				D6	1998 TJ
7							WASHER, Seat Belt Attaching
	4798 898	2			77	M5	1997 TJ
		2			77	K5	1997 TJ
		2			77	J6	1997 TJ
		2			77	D6	1997 TJ
		2				M5	1998 TJ
		2				K5	1998 TJ
		2				J6	1998 TJ
		2				D6	1998 TJ
8							SEAT BELT, Rear Outer
	5EV6 2TAZ	2	J		77		1997 TJ
		2	U		77		1997 TJ, Export
		2					1998 TJ
	5EV6 6TAZ	2					1998 TJ, Export
9	6034 384	1					SCREW, Pan Head, .437-20x1.15
10							SEAT BELT, Buckle Half
	5EV6 4TAZ	2	J		77		1997 TJ
		2	U		77		1997 TJ
	5FX94 LAZAA	2					1998 TJ
-11	4740 415	1					EXTENDER, Seat Belt
-12							SCREW, Button Head, .375-24x.62, Front Traveling Inboard Buckle Mounting
	6035 115	2				D6	1997 TJ
		2				J6	1997 TJ
		2				K5	1997 TJ
		2				M5	1997 TJ
		1				D6	1998 TJ
		1				J6	1998 TJ
		1				K5	1998 TJ
		1				M5	1998 TJ



JEEP WRANGLER (TJ)

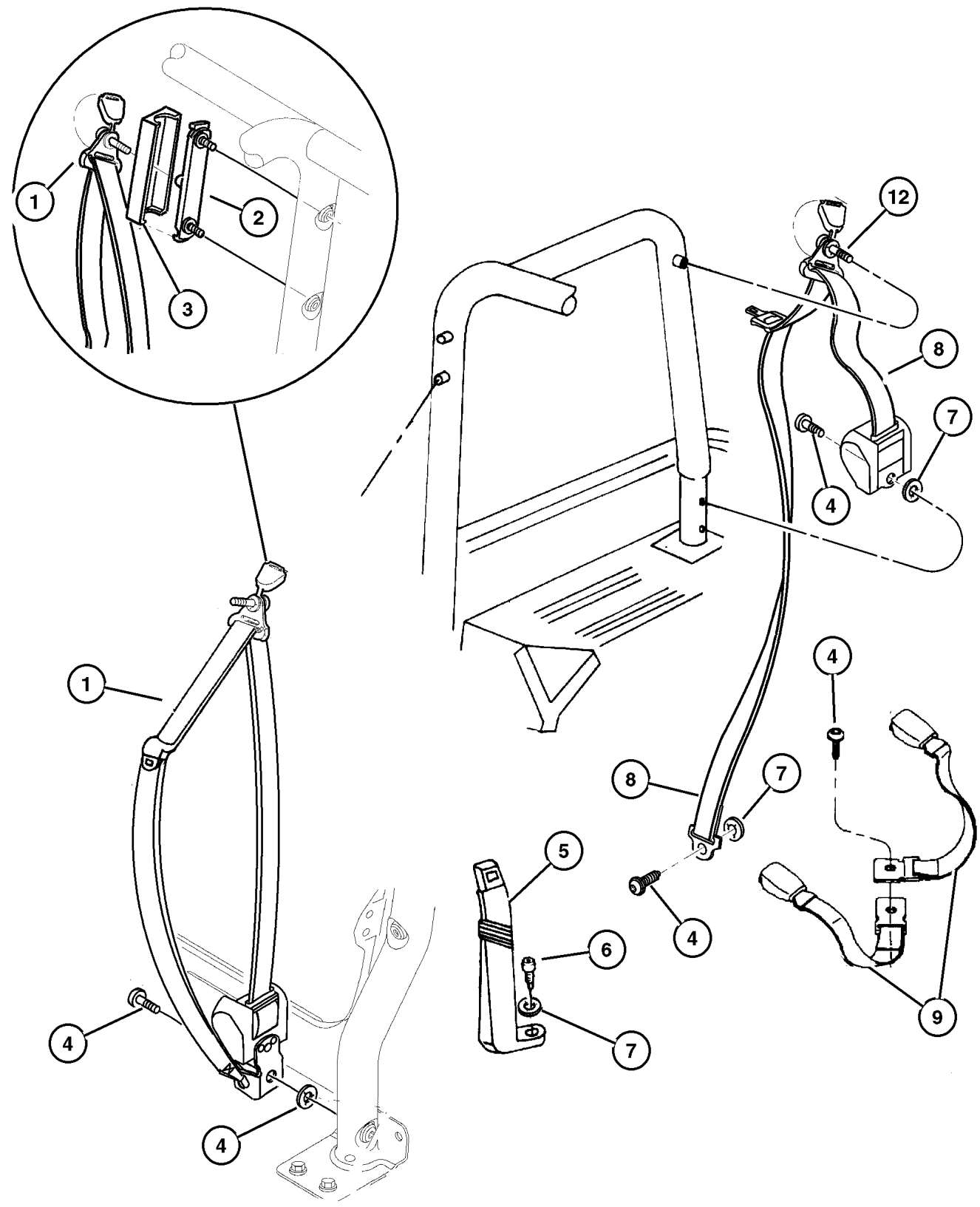
SERIES	LINE	BODY	ENGINE	TRANSMISSION
L=Low Line	J = Wrangler 4WD U = Wrangler 4WD (RHD)	77 = 93.4 WB	EPE, EP0 = 2.5L Power Tech ERH, ER0 = 4.0L Power Tech	DGG, DGD = 32RH 3 Spd. Auto. DDQ = 5 Spd. Manual DG0 = All Auto. Trans. DBB =All Manual Trans.

AR = Use as required - = Non illustrated part # = New this model year

June 7, 2002

Seat Belts Wrangler 1999 TJ
Figure ITJ-710

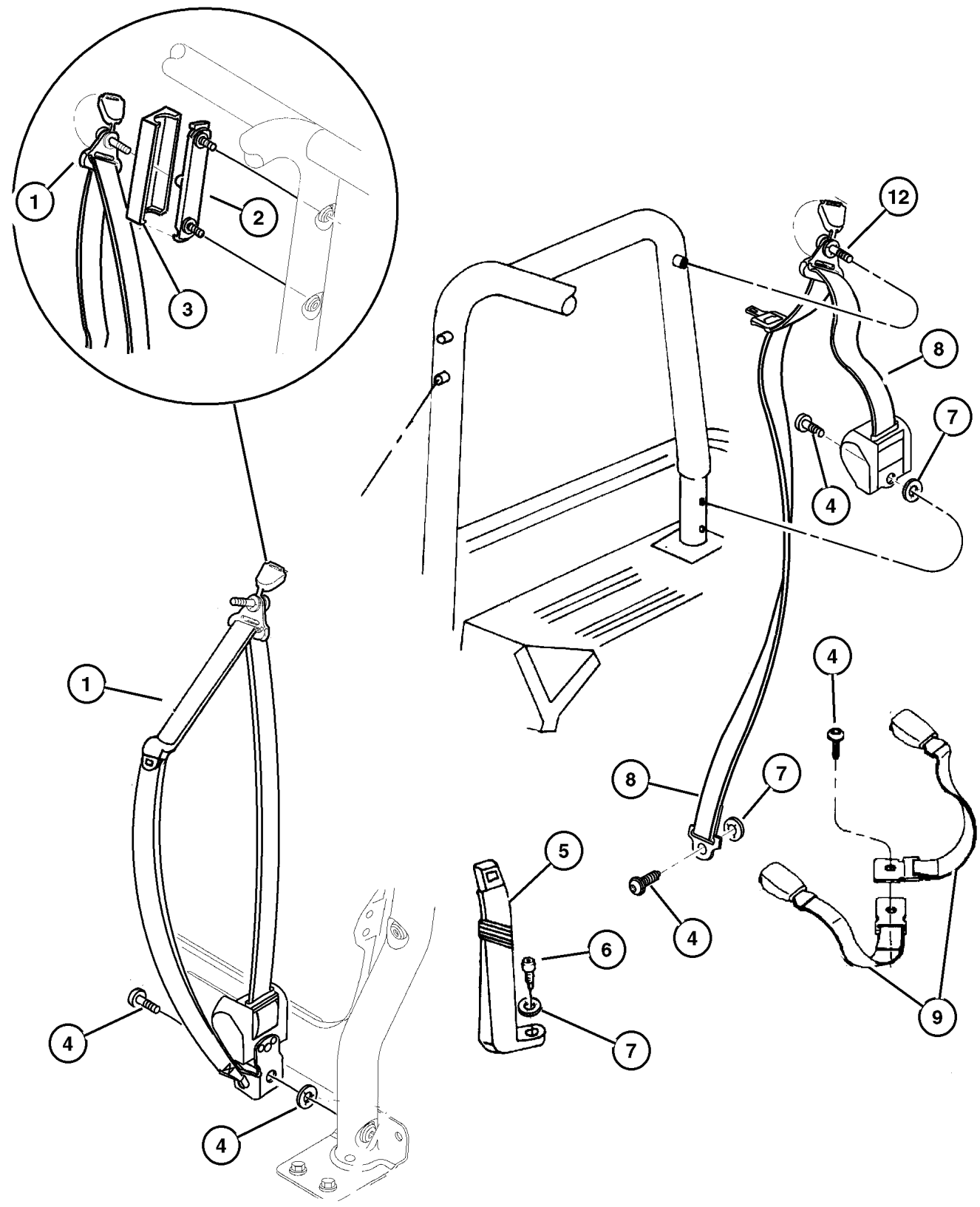
ITEM	PART NUMBER	QTY	LINE	SERIES	BODY	TRIM	DESCRIPTION
1							SEAT BELT, Retractor
	5EV70 LAZAB	1					Right
	5EV71 LAZAB	1					Left
	5EV72 LAZAB	1					Right,Export
	5EV73 LAZAB	1					Left,Export
2	55217 173AB	2					ADJUSTER, Seat Belt Turning Loop
3	5EZ7 0TAZ	2					COVER, Turning Loop
4	#6036 187AA	2					SCREW, Pan Head
5							SEAT BELT, Buckle Half
	5FU0 6LAZ	1				D6	Right
		1				J6	Right
		1				K5	Right
	5FU0 7LAZ	1				D6	Left
		1				J6	Left
		1				K5	Left
	5FU0 8LAZ	1	U			M5	Left,Export
		1	U			K5	Left,Export
		1	U			J6	Left,Export
		1	U			D6	Left,Export
		1	J			M5	Left,Export
		1	J			K5	Left,Export
		1	J			J6	Left,Export
		1	J			D6	Left,Export
	5FV3 4LAZ	1	U			M5	Right,Export
		1	U			K5	Right,Export
		1	U			J6	Right,Export
		1	U			D6	Right,Export
6							BOLT, Seat Belt
	4874 129	2				M5	
		2				K5	
		2				J6	
		2				D6	
7							WASHER, Seat Belt Attaching
	4798 898	2				M5	
		2				K5	
		2				J6	
		2				D6	
8							SEAT BELT, Rear Outer
	5EV62 LAZAB	2					Export
	5EV66 LAZAB	2					Export
9	5FX94 LAZAA	1					SEAT BELT, Buckle Half
-10	4740 415	1					EXTENDER, Seat Belt
-11							SCREW, Button Head, .375-24x.62, Front Traveling Inboard Buckle Mounting



JEEP WRANGLER (TJ)
 SERIES LINE BODY ENGINE TRANSMISSION
 L=Low Line J = Wrangler 4WD 77 = 93.4 WB EPE, EP0 = 2.5L Power Tech DGG, DGD = 32RH 3 Spd. Auto.
 U = Wrangler 4WD (RHD) ERH, ER0 = 4.0L Power Tech DDQ = 5 Spd. Manual
 DG0 = All Auto. Trans.
 DBB =All Manual Trans.

Seat Belts Wrangler 1999 TJ
Figure ITJ-710

ITEM	PART NUMBER	QTY	LINE	SERIES	BODY	TRIM	DESCRIPTION
	6035 115	1				D6	
		1				J6	
		1				K5	
		1				M5	
12	#6036 294AA	2					BOLT, Shoulder

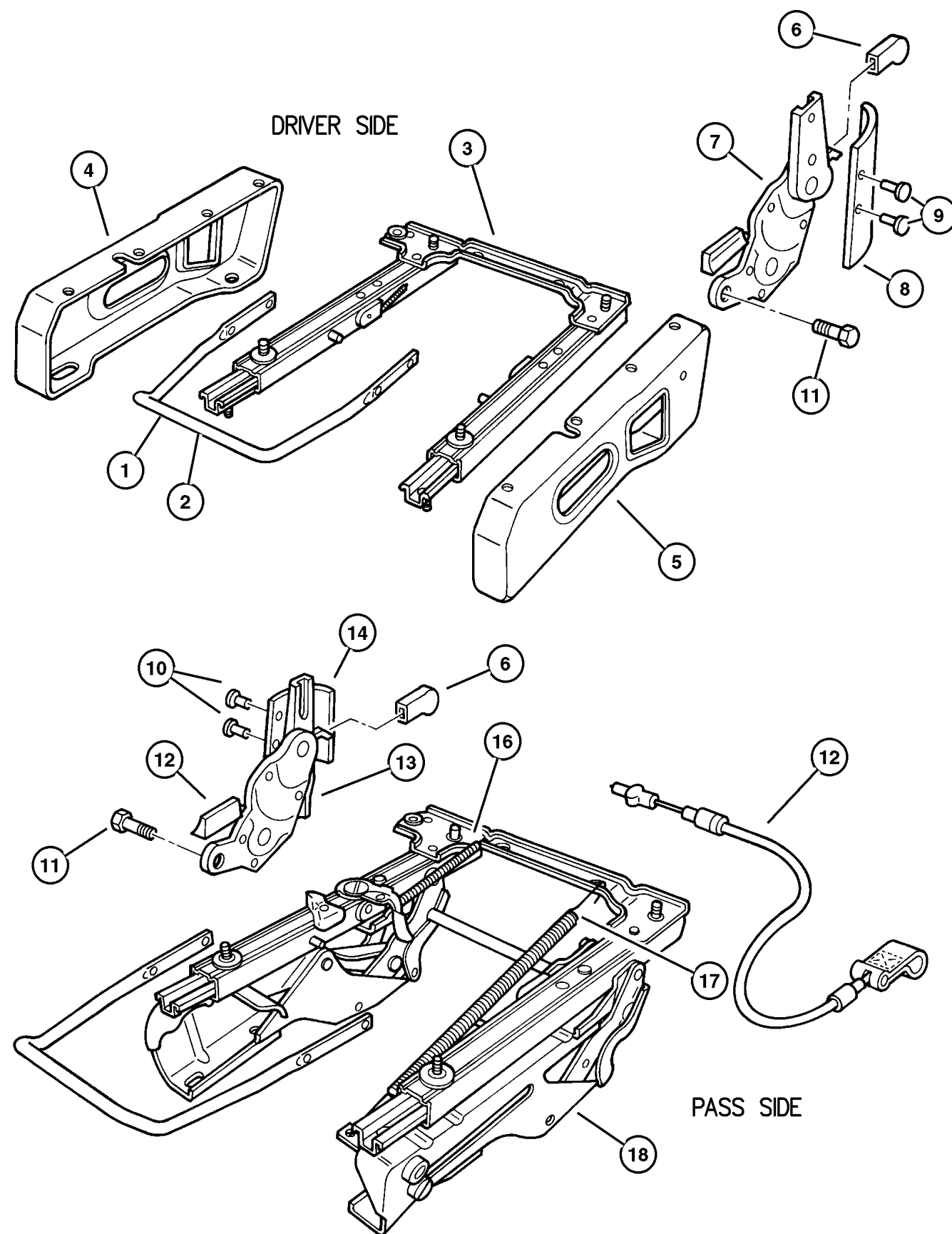


JEEP WRANGLER (TJ)
 SERIES LINE BODY ENGINE TRANSMISSION
 L=Low Line J = Wrangler 4WD 77 = 93.4 WB EPE, EP0 = 2.5L Power Tech DGG, DGD = 32RH 3 Spd. Auto.
 U = Wrangler 4WD (RHD) ERH, ER0 = 4.0L Power Tech DDQ = 5 Spd. Manual
 DG0 = All Auto. Trans.
 DBB =All Manual Trans.

AR = Use as required - = Non illustrated part # = New this model year

June 7, 2002

Seat Assemblies, Adjusters, Recliners 1997 TJ Figure ITJ-810



ITEM	PART NUMBER	QTY	LINE	SERIES	BODY	TRIM	DESCRIPTION
1							HANDLE, Towel Bar, (NOT REQUIRED)
2	4874 265	2				M5	HANDLE
		2				K5	
		2			77	J6	
		2			77	D6	
3	4874 120	1			77	M5	ADJUSTER, Manual Seat Driver
		1			77	K5	
		1			77	J6	
		1			77	D6	
4	4874 126	1			77	M5	RISER, Seat Inboard Driver Seat
		1			77	K5	
		1			77	J6	
		1			77	D6	
5	4874 127	1			77	M5	RISER, Seat Outboard Driver Seat
		1			77	K5	
		1			77	J6	
		1			77	D6	
6	4796 720	2			77	M5	KNOB, Seat Recliner
		2			77	K5	
		2			77	J6	
		2			77	D6	
7	4874 113	1			77	M5	RECLINER, Front Seat Back Driver Seat
		1			77	K5	
		1			77	J6	
		1			77	D6	
8	4874 117	1			77	M5	SHIELD SIDE, Seat With Easy Entry Cable
		1			77	K5	
		1			77	J6	
		1			77	D6	
9	4874 111	4			77	M5	SCREW, M4.2-1.41x13 Shield to Seat Frame
		4			77	K5	
		4			77	J6	
		4			77	D6	
10	4720 768	4			77	M5	BOLT, Recliner to Seat Back

JEEP WRANGLER (TJ)

SERIES
L=Low Line

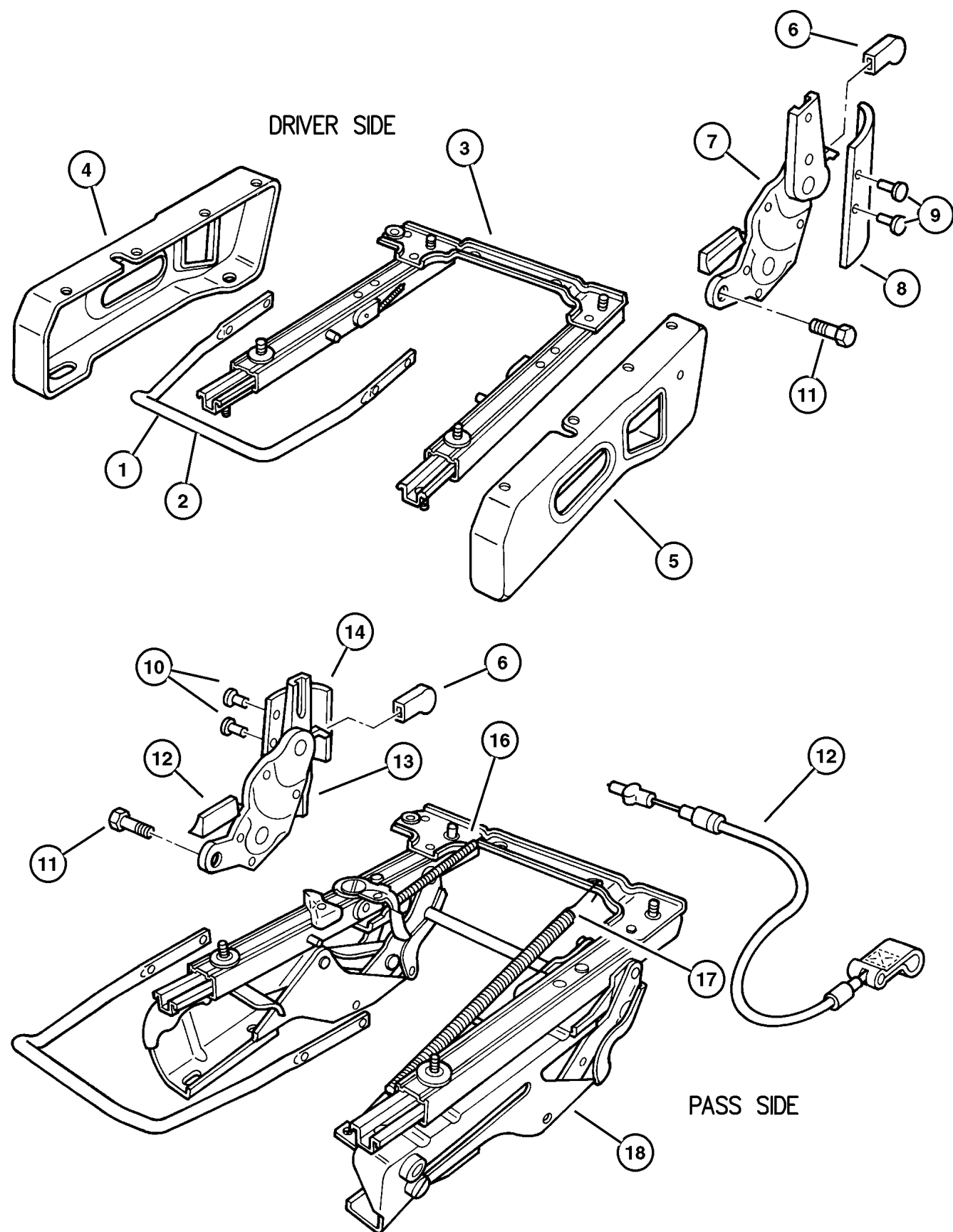
LINE
J = Wrangler 4WD
U = Wrangler 4WD (RHD)

BODY
77 = 93.4 WB

ENGINE
EPE, EP0 = 2.5L Power Tech
ERH, ER0 = 4.0L Power Tech

TRANSMISSION
DGG, DGD = 32RH 3 Spd. Auto.
DDQ = 5 Spd. Manual
DGO = All Auto. Trans.
DBB =All Manual Trans.

Seat Assemblies, Adjusters, Recliners 1997 TJ Figure ITJ-810



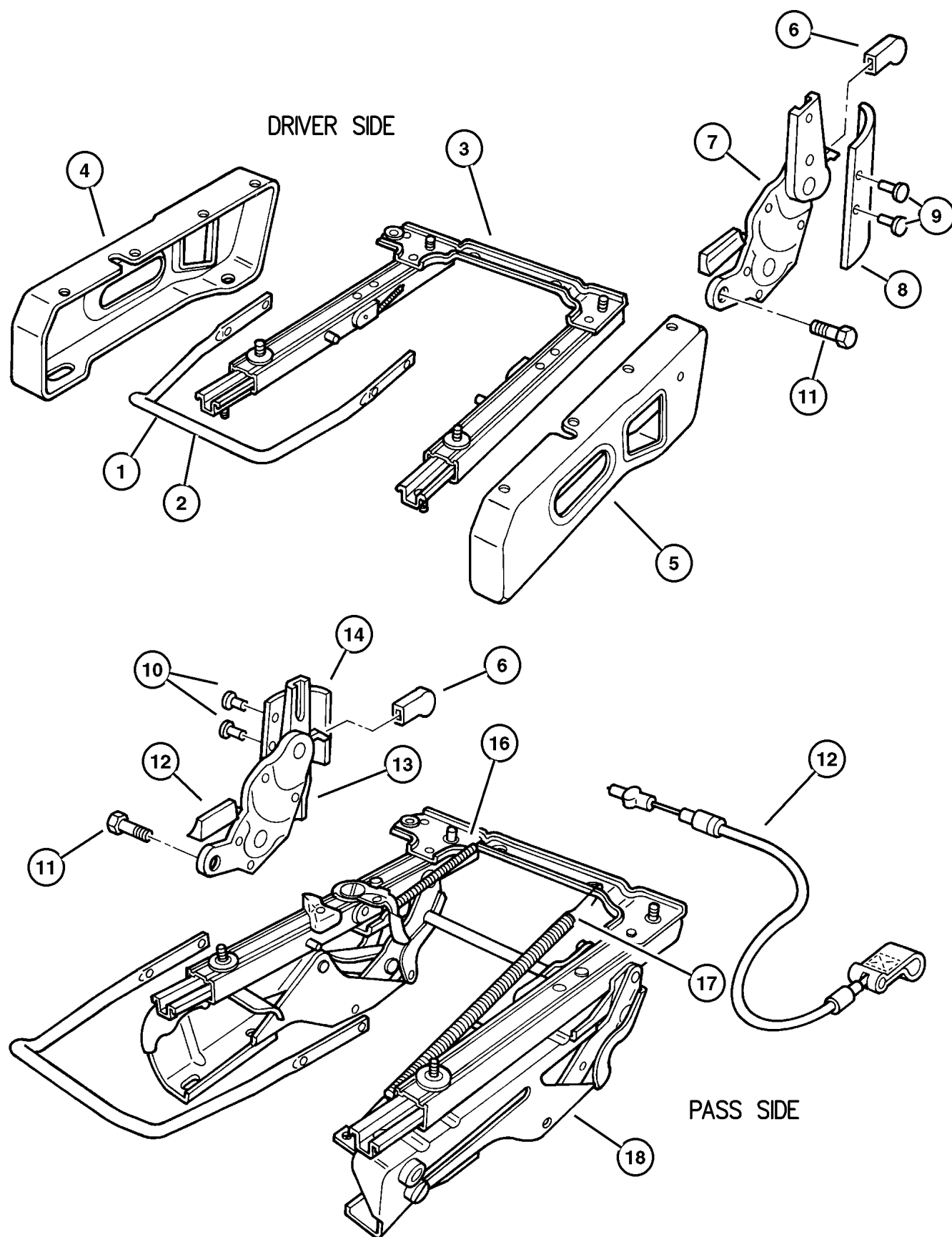
ITEM	PART NUMBER	QTY	LINE	SERIES	BODY	TRIM	DESCRIPTION
		4			77	K5	
		4			77	J6	
		4			77	D6	
11	4796 793	4			77	M5	BOLT, Recliner To Cushion, Front Seat
		4			77	K5	
		4			77	J6	
		4			77	D6	
12	4874 138	1			77	M5	CABLE, Seat Adjuster, Includes Strap
		1			77	K5	Release Easy Entry
		1			77	J6	Release Easy Entry
		1			77	D6	Release Easy Entry
13	4874 112	1			77	M5	RECLINER, Front Seat Back
		1			77	K5	Passenger
		1			77	J6	Passenger
		1			77	D6	Passenger
14	4874 116	1			77	M5	SHIELD SIDE, Seat
		1			77	K5	Easy Entry Cable
		1			77	J6	Easy Entry Cable
		1			77	D6	Easy Entry Cable
-15	4874 111	4			77	M5	SCREW, M4.2-1.41x13
		4			77	K5	Shield to Seat Frame
		4			77	J6	Shield to Seat Frame
		4			77	D6	Shield to Seat Frame
16	4874 266	1			77	M5	SPRING, Seat Lever Return
		1			77	K5	Lever Return, (Short)
		1			77	J6	Lever Return, (Short)
		1			77	D6	Lever Return, (Short)
17	4874 267	1			77	M5	SPRING, Seat Release Lever
		1			77	K5	
		1			77	J6	
		1			77	D6	
18	4874 143	1			77	M5	ADJUSTER, Manual Seat
		1			77	K5	Passenger
		1			77	J6	Passenger
		1			77	D6	Passenger

JEEP WRANGLER (TJ)
 SERIES LINE BODY ENGINE TRANSMISSION
 L=Low Line J = Wrangler 4WD 77 = 93.4 WB EPE, EP0 = 2.5L Power Tech DGG, DGD = 32RH 3 Spd. Auto.
 U = Wrangler 4WD (RHD) ERH, ER0 = 4.0L Power Tech DDQ = 5 Spd. Manual
 DG0 = All Auto. Trans.
 DBB =All Manual Trans.

AR = Use as required - = Non illustrated part # = New this model year

June 7, 2002

Seat Assemblies, Adjusters, Recliners 1997 TJ Figure ITJ-810

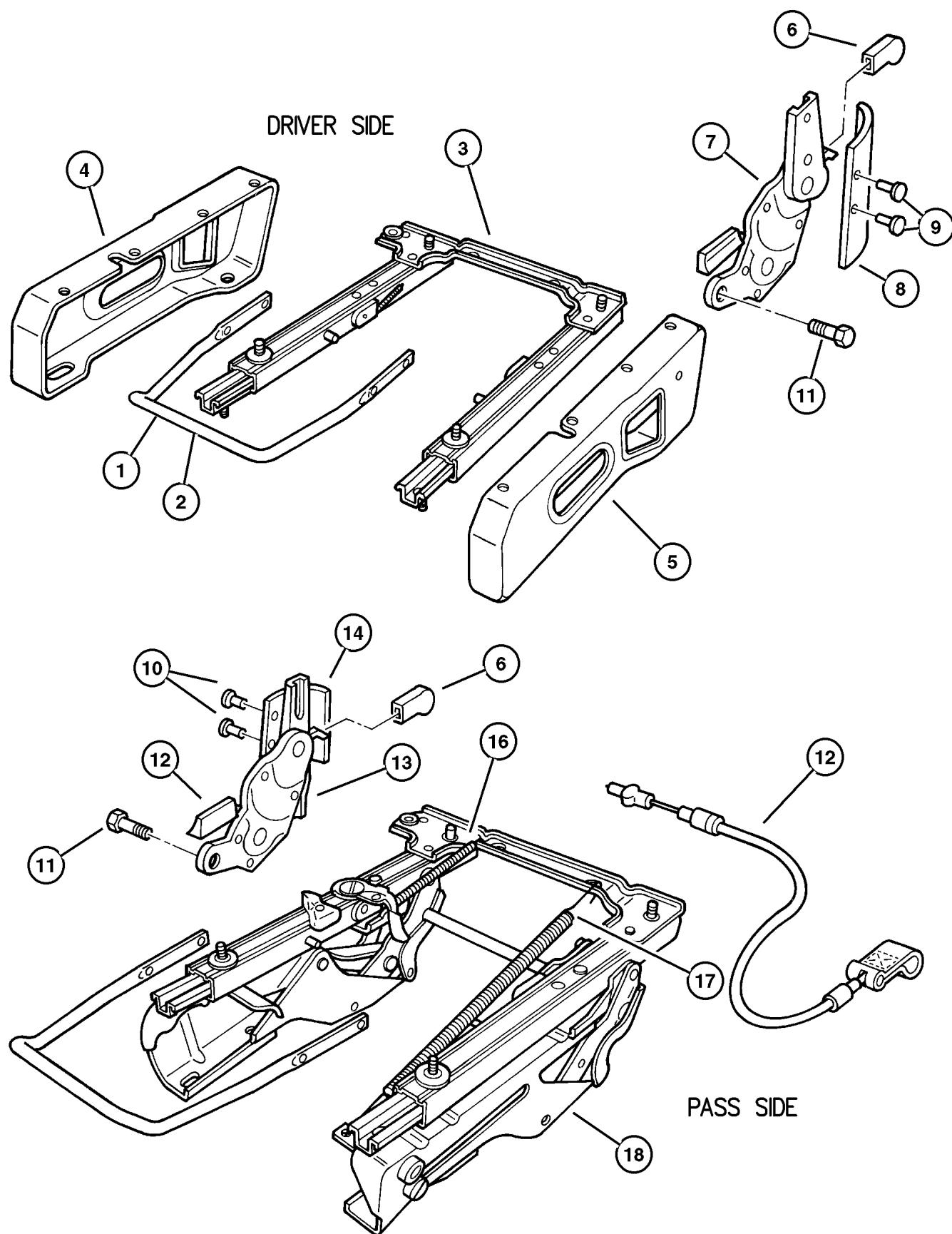


ITEM	PART NUMBER	QTY	LINE	SERIES	BODY	TRIM	DESCRIPTION
	4874 144	1			77	M5	Driver
		1			77	K5	Driver
		1			77	J6	Driver
		1			77	D6	Driver
-19							CABLE, Seat Adjuster, Seat Track
	4886 308AA	1				K5	28 Inches Long, (Also Serviced in 4874143)
		1				M5	28 Inches Long, (Also Serviced in 4874143)
		1			77	J6	28 Inches Long, (Also Serviced in 4874143)
		1			77	D6	28 Inches Long, (Also Serviced in 4874143)
	4886 309AA	1				K5	40 Inches Long, (Also Serviced in 4874144)
		1				M5	40 Inches Long, (Also Serviced in 4874144)
		1			77	D6	40 Inches Long, (Also Serviced in 4874144)
		1			77	J6	40 Inches Long, (Also Serviced in 4874144)
-20	J400 6832	2					BOLT, Pan Head, .437-20x1.375, .437-20x1.38, Passenger & Driver Seat To Floor Pan

JEEP WRANGLER (TJ)

SERIES	LINE	BODY	ENGINE	TRANSMISSION
L=Low Line	J = Wrangler 4WD U = Wrangler 4WD (RHD)	77 = 93.4 WB	EPE, EP0 = 2.5L Power Tech ERH, ER0 = 4.0L Power Tech	DGG, DGD = 32RH 3 Spd. Auto. DDQ = 5 Spd. Manual DG0 = All Auto. Trans. DBB =All Manual Trans.

Seat Assemblies, Adjusters, Recliners 1998 TJ
Figure ITJ-810



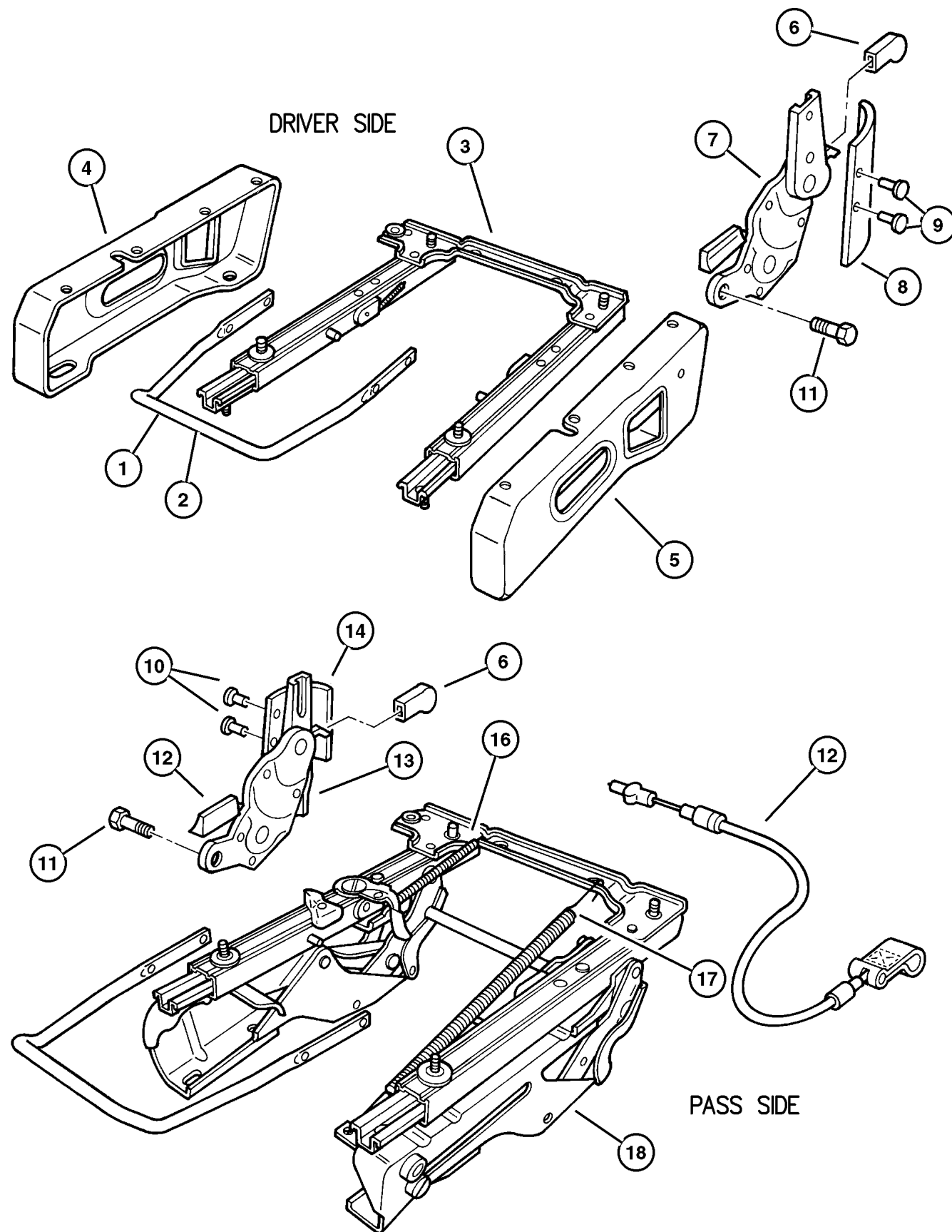
ITEM	PART NUMBER	QTY	LINE	SERIES	BODY	TRIM	DESCRIPTION
1	5014 288AA	1				D6	HANDLE, Towel Bar
						J6	Right
						K5	Right
						M5	Right
							Right
	5014 756AA	1				M5	
						K5	Left
						J6	
						D6	
2						HANDLE, (NOT REQUIRED)	
3	4874 120	1				J6	Driver
						D6	Driver
	4874 143	1				M5	Driver
						K5	Driver
4	4874 126	1				J6	RISER, Seat
						D6	Inboard,Driver
5	4874 127	1				J6	RISER, Seat
						D6	Outboard,Driver
6	4796 720	1				D6	KNOB, Seat Recliner
						J6	
						K5	
							J
							U
7	4874 113	1				M5	RECLINER, Front Seat Back
						K5	Driver
						J6	Driver
						D6	Driver
							J
	5012 149AA	1				J6	Driver,Export
						K5	Driver,Export
8	4874 117	1				K5	SHIELD SIDE, Seat
						M5	With Easy Entry
						K5	With Easy Entry
						J6	With Easy Entry
							D6
9	4874 111	4				M5	SCREW, M4.2-1.41x13
							U
							J

JEEP WRANGLER (TJ)
 SERIES LINE BODY ENGINE TRANSMISSION
 L=Low Line J = Wrangler 4WD 77 = 93.4 WB EPE, EP0 = 2.5L Power Tech DGG, DGD = 32RH 3 Spd. Auto.
 U = Wrangler 4WD (RHD) ERH, ER0 = 4.0L Power Tech DDQ = 5 Spd. Manual
 DG0 = All Auto. Trans.
 DBB =All Manual Trans.

AR = Use as required - = Non illustrated part # = New this model year

June 7, 2002

Seat Assemblies, Adjusters, Recliners 1998 TJ Figure ITJ-810



ITEM	PART NUMBER	QTY	LINE	SERIES	BODY	TRIM	DESCRIPTION
		4	U			K5	
		4	J			J6	
		4	U			J6	
		4	J			D6	
		4	U			D6	
10	4720 768	4				M5	BOLT, Recliner to Seat Back
		4				K5	
		4				J6	
		4				D6	
11	4796 793	4				M5	BOLT, Recliner To Cushion, Front Seat
		4				K5	
		4				D6	
		4				J6	
12	4874 138	1				M5	CABLE, Seat Adjuster, Recliner, Easy Entry, Includes Strap
		1				K5	Release Easy Entry
		1				J6	Release Easy Entry
		1				D6	Release Easy Entry
		1				D6	Release Easy Entry
13	4874 112	1				M5	RECLINER, Front Seat Back
		1				K5	Passenger
		1				J6	Passenger
		1				D6	Passenger
	5012 148AA	1	J			J6	Passenger,Export
		1	U			J6	Passenger,Export
		1	U			K5	Passenger,Export
14	4874 116	1				M5	SHIELD SIDE, Seat
		1				J6	Easy Entry Cable
		1				D6	Easy Entry Cable
		1				D6	Easy Entry Cable
-15	4874 111	1				D6	SCREW, M4.2-1.41x13
		1				J6	
		1				K5	
		1				M5	
16	4874 266	1				M5	SPRING, Seat Lever Return
		1				K5	Short
		1				K5	Short
		1				J6	Short
		1				D6	Short
17		1				D6	SPRING, Seat Release Lever

JEEP WRANGLER (TJ)

SERIES
L=Low Line

LINE
J = Wrangler 4WD
U = Wrangler 4WD (RHD)

BODY
77 = 93.4 WB

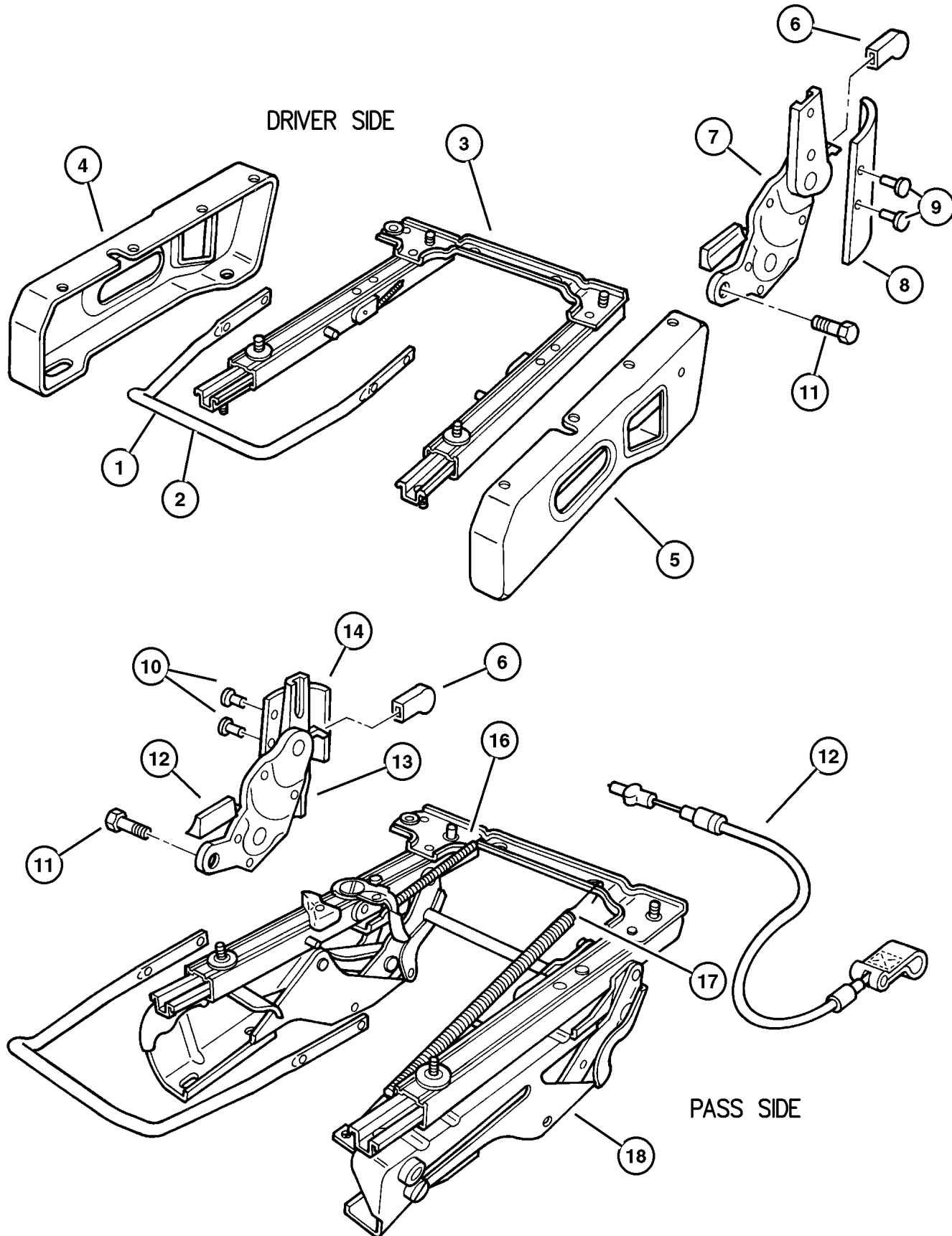
ENGINE
EPE, EP0 = 2.5L Power Tech
ERH, ER0 = 4.0L Power Tech

TRANSMISSION
DGG, DGD = 32RH 3 Spd. Auto.
DDQ = 5 Spd. Manual
DG0 = All Auto. Trans.
DBB =All Manual Trans.

AR = Use as required - = Non illustrated part # = New this model year

June 7, 2002

Seat Assemblies, Adjusters, Recliners 1999 TJ
Figure ITJ-810



ITEM	PART NUMBER	QTY	LINE	SERIES	BODY	TRIM	DESCRIPTION
1	5014 288AA	1				D6	Right
		1				J6	Right
		1				K5	Right
		1				M5	Right
5014 756AA	1					M5	Left
	1					K5	Left
	1					J6	Left
	1					D6	Left
2						HANDLE, (NOT REQUIRED)	
3	4874 120	1				J6	Driver
		1				D6	Driver
4874 143	1					M5	Driver
	1					K5	Driver
4	5014 290AA	1				D6	RISER, Seat Inboard,Driver
		1				J6	Inboard,Driver
5	5014 291AA	1				J6	RISER, Seat Outboard,Driver
		1				D6	Outboard,Driver
6	4796 720	1				D6	KNOB, Seat Recliner
		1				J6	
		1				M5	
		1				K5	
7	4874 113	1				M5	RECLINER, Front Seat Back Driver
		1				K5	
		1				J6	
		1				D6	
		1	U			K5	
		1	U			J6	
5012 149AA	1	J				J6	Driver,Export
	1						SHIELD SIDE, Seat
	1					M5	With Easy Entry
4874 117	1					K5	With Easy Entry
	1					J6	With Easy Entry
	1					D6	With Easy Entry
9	4874 111	2				M5	SCREW, M4.2-1.41x13
		2				J6	
		2	J			K5	

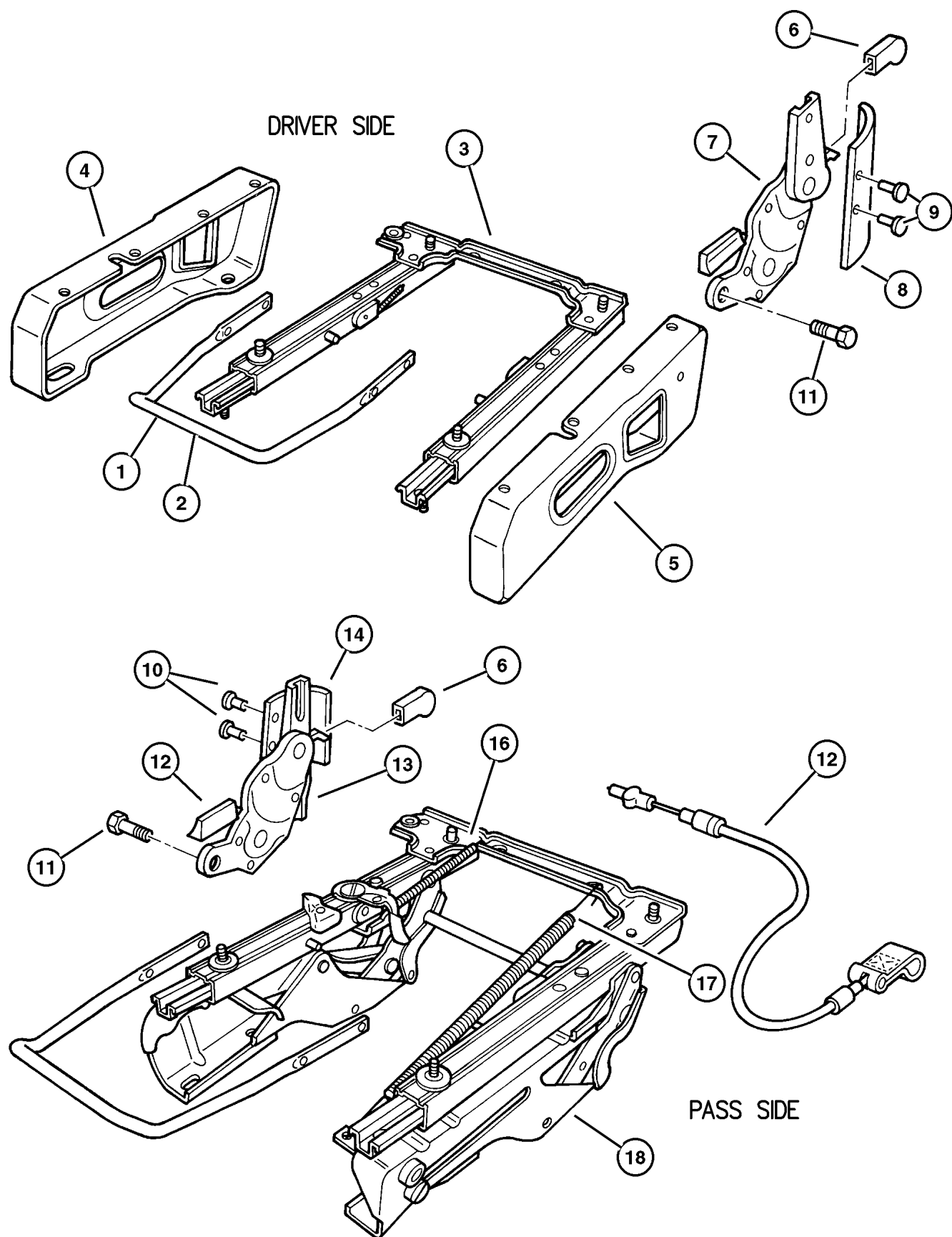
JEEP WRANGLER (TJ)

SERIES	LINE	BODY	ENGINE	TRANSMISSION
L=Low Line	J = Wrangler 4WD U = Wrangler 4WD (RHD)	77 = 93.4 WB	EPE, EP0 = 2.5L Power Tech ERH, ER0 = 4.0L Power Tech	DGG, DGD = 32RH 3 Spd. Auto. DDQ = 5 Spd. Manual DG0 = All Auto. Trans. DBB =All Manual Trans.

AR = Use as required - = Non illustrated part # = New this model year

June 7, 2002

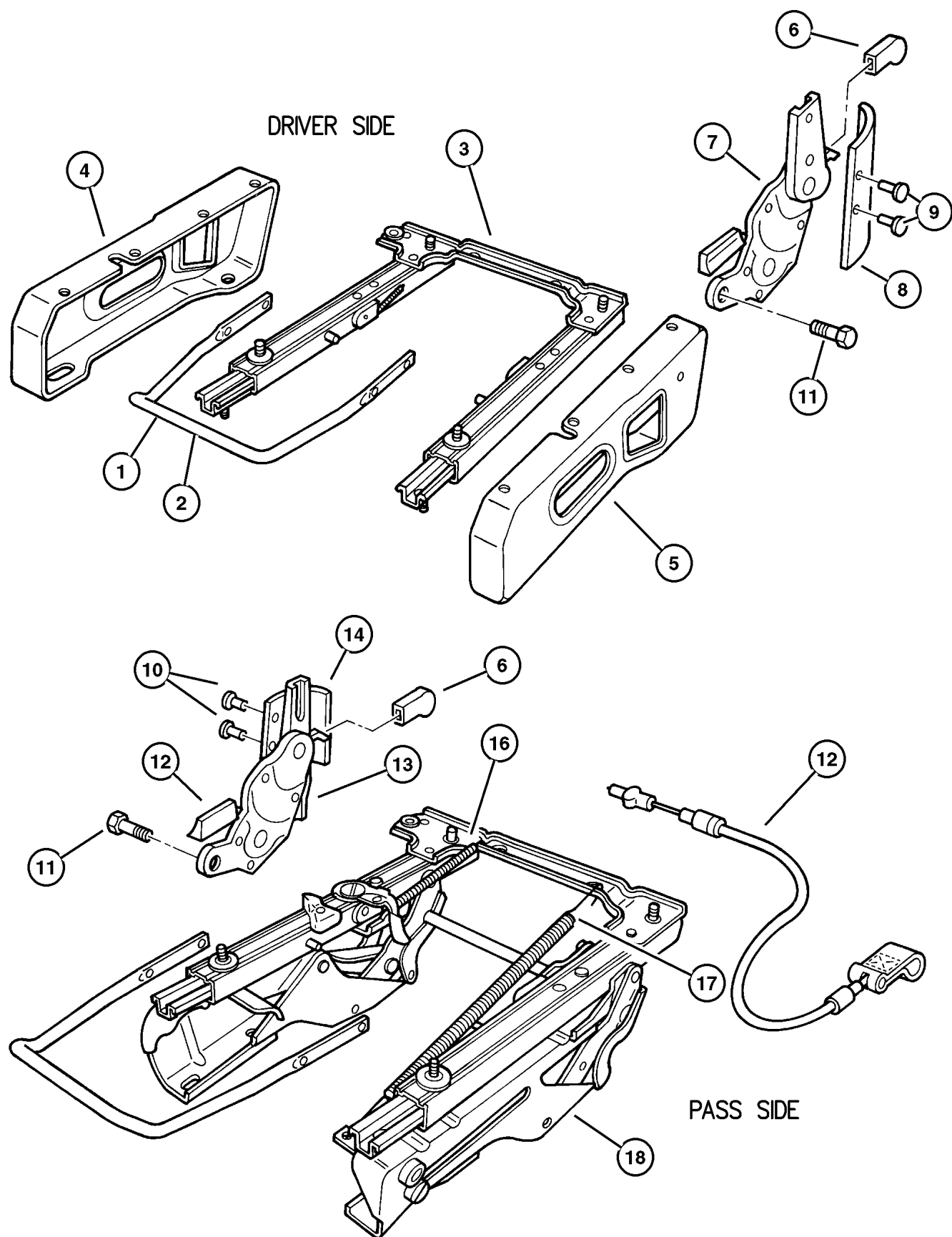
Seat Assemblies, Adjusters, Recliners 1999 TJ
Figure ITJ-810



ITEM	PART NUMBER	QTY	LINE	SERIES	BODY	TRIM	DESCRIPTION
		2				D6	
10	4720 768	4				M5	BOLT, Recliner to Seat Back
		4				K5	
		4				J6	
11	4796 793	4				D6	BOLT, Recliner To Cushion, Front Seat
		4				M5	
		4				K5	
		4				J6	
12		4				D6	CABLE, Seat Adjuster, Recliner, Easy Entry, Includes Strap
	5014 292AA	1				M5	Cable And Pull Strap
		1				K5	Cable And Pull Strap
		1				J6	Cable And Pull Strap
		1				D6	Cable And Pull Strap
13	4874 112	1					RECLINER, Front Seat Back
		1				M5	Passenger
		1				K5	Passenger
		1				J6	Passenger
	5012 148AA	1				D6	Passenger
		1	U			J6	Passenger,Export
		1	J			J6	Passenger,Export
		1	U			K5	Passenger,Export
14	4874 116	1					SHIELD SIDE, Seat
		1				M5	Easy Entry Cable
		1				K5	Easy Entry Cable
		1				J6	Easy Entry Cable
		1				D6	Easy Entry Cable
-15	4874 111	1					SCREW, M4.2-1.41x13
		1				D6	
		1				J6	
		1				K5	
		1				M5	
16	4874 266	1					SPRING, Seat Lever Return
		1				M5	Short
		1				K5	Short
		1				J6	Short
		1				D6	Short
17	4874 267	1					SPRING, Seat Release Lever
		1				M5	Long
		1				K5	Long

JEEP WRANGLER (TJ)
 SERIES LINE BODY ENGINE TRANSMISSION
 L=Low Line J = Wrangler 4WD 77 = 93.4 WB EPE, EP0 = 2.5L Power Tech DGG, DGD = 32RH 3 Spd. Auto.
 U = Wrangler 4WD (RHD) ERH, ER0 = 4.0L Power Tech DDQ = 5 Spd. Manual
 DGO = All Auto. Trans.
 DBB =All Manual Trans.

Seat Assemblies, Adjusters, Recliners 1999 TJ
Figure ITJ-810

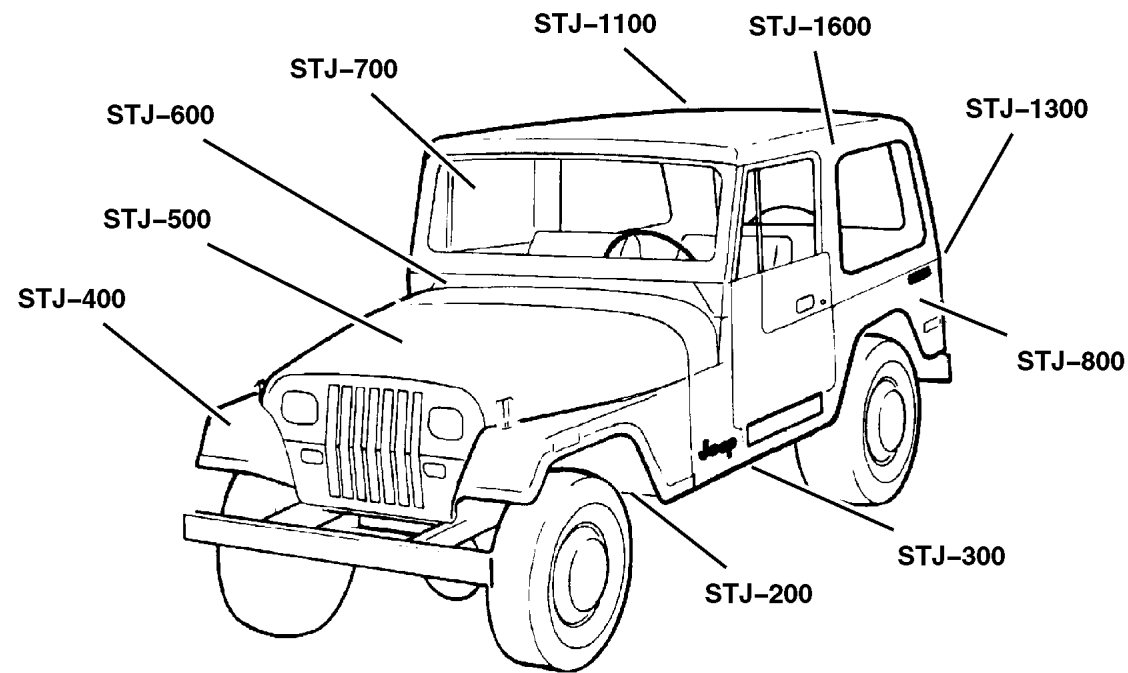


ITEM	PART NUMBER	QTY	LINE	SERIES	BODY	TRIM	DESCRIPTION
		1				J6	Long
		1				D6	Long
	5012 162AA	1	J			M5	Long, Export
		1	U			M5	Long, Export
		1	J			K5	Long, Export
		1	U			K5	Long, Export
		1	J			J6	Long, Export
		1	U			J6	Long, Export
		1	J			D6	Long, Export
18		1	U			D6	Long, Export
	4874 143	1				M5	Passenger
		1				K5	Passenger
		1				J6	Passenger
	4874 144	1				D6	Passenger
		1				M5	Driver
		1				K5	Driver
		1				J6	Driver
	5012 150AA	1	J			D6	Driver
		1	U			M5	Right,Export
		1	J			M5	Right,Export
		1	U			K5	Right,Export
		1	J			K5	Right,Export
		1	J			J6	Right,Export
		1	U			J6	Right,Export
		1	J			D6	Right,Export
	5012 151AA	1	U			D6	Right,Export
		1	J			M5	Left,Export
		1	U			M5	Left,Export
		1	J			K5	Left,Export
		1	U			K5	Left,Export
		1	J			J6	Left,Export
		1	U			J6	Left,Export
		1	J			D6	Left,Export
		1	U			D6	Left,Export
-19							CABLE, Seat Adjuster, Seat Track
	4886 308AA	1				M5	28 Inches Long, (Also Serviced in 4874143)
		1				K5	28 Inches Long, (Also Serviced in 4874143)
		1				J6	28 Inches Long, (Also Serviced in 4874143)
		1				D6	28 Inches Long, (Also Serviced in 4874143)
	4886 309AA	1				M5	40 Inches Long, (Also Serviced in 4874144)
		1				K5	40 Inches Long, (Also Serviced in 4874144)
		1				J6	40 Inches Long, (Also Serviced in 4874144)

JEEP WRANGLER (TJ)
 SERIES LINE BODY ENGINE TRANSMISSION
 L=Low Line J = Wrangler 4WD 77 = 93.4 WB EPE, EP0 = 2.5L Power Tech DGG, DGD = 32RH 3 Spd. Auto.
 U = Wrangler 4WD (RHD) ERH, ER0 = 4.0L Power Tech DDQ = 5 Spd. Manual
 DG0 = All Auto. Trans.
 DBB =All Manual Trans.

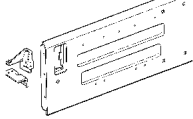
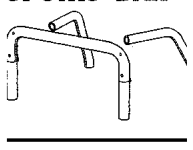
Group – STJ

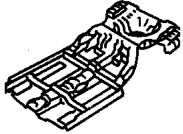

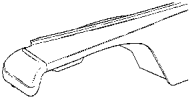

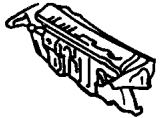

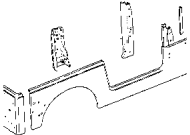
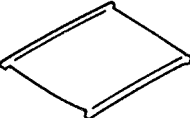
Body Sheet Metal Except Doors



Group – STJ

Body Sheet Metal Except Doors

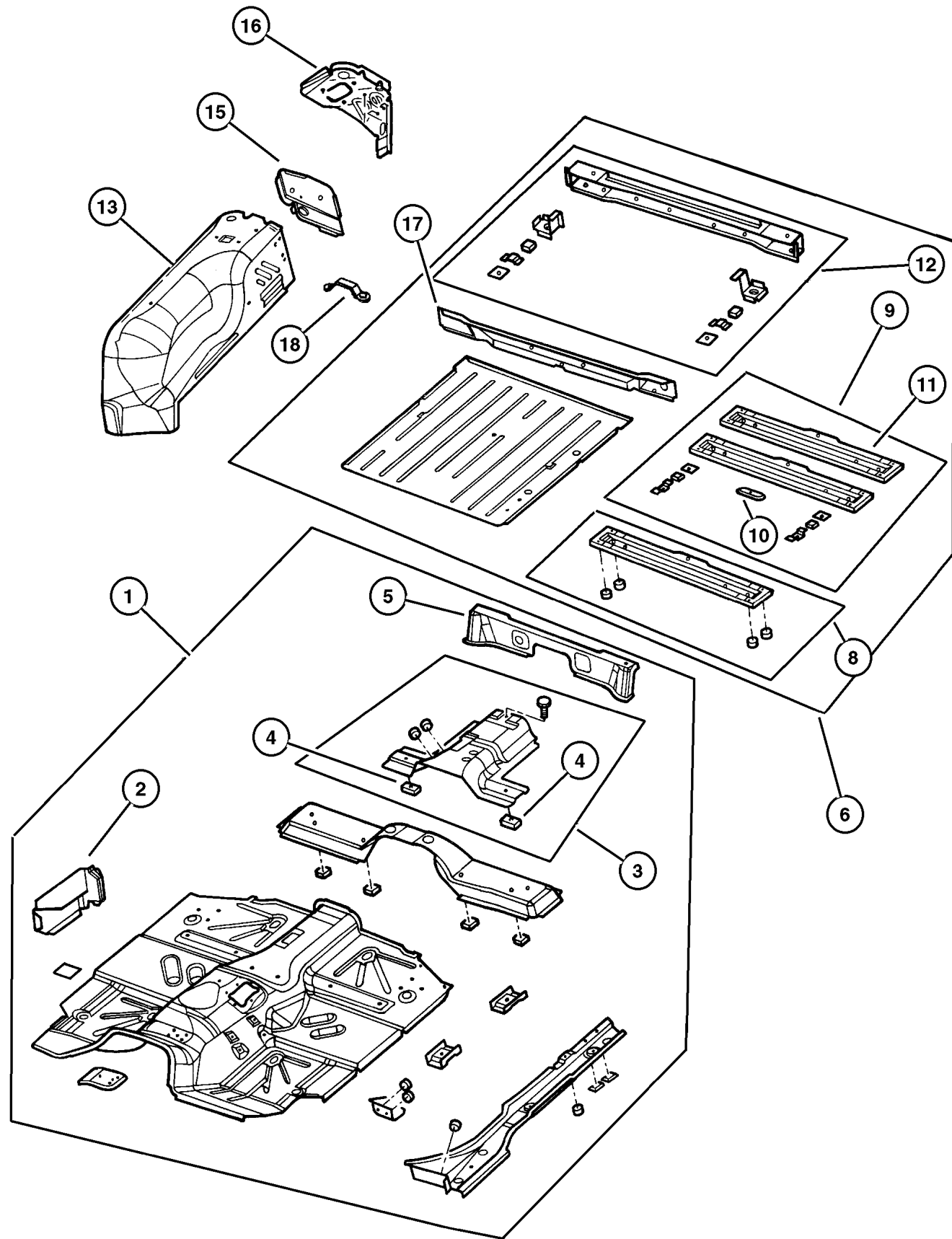
<p>STJ-1300 Tailgate</p> 	<p>STJ-1600 Luggage Rack</p> 		
---	---	--	--

<p>STJ-200 Floor Pans</p> 	<p>STJ-300 Plugs</p> 	<p>STJ-400 Front Fenders</p> 	<p>STJ-500 Hood and Hood Release</p> 
<p>STJ-600 Cowl and Dash Panel</p> 	<p>STJ-700 Glass and Rear View Mirror</p> 	<p>STJ-800 Aperture Panel</p> 	<p>STJ-1100 Roof – Hard & Soft Top</p> 

GROUP STJ - Body Sheet Metal Except Doors

Illustration Title	Group-Fig. No.
Floor Pans	
Pan, Floor Front And Rear	Fig. STJ-210
Plugs	
Plugs Wrangler 1997 TJ	Fig. STJ-310
Plugs 1998 TJ 1999 TJ	Fig. STJ-310
Front Fenders	
Fender And Flare, Front Wrangler 1997 TJ	Fig. STJ-410
Fender And Flare, Front Wrangler 1998 TJ 1999 TJ	Fig. STJ-410
Hood and Hood Release	
Hood, Lock, Catches Wrngler 1997 TJ 1998 TJ	Fig. STJ-510
Hood, Lock, Catches 1999 TJ	Fig. STJ-510
Cowl and Dash Panel	
Panels, Cowl And Dash Wrangler 1997 TJ	Fig. STJ-610
Panels, Cowl And Dash Wrangler 1998 TJ	Fig. STJ-610
Panels, Cowl And Dash Wrangler 1999 TJ	Fig. STJ-610
Glass and Rear View Mirror	
Glass, Windshield, Backlite, Quarter Windshield Frame, Hinges Wrangler 1997 TJ	Fig. STJ-710
Glass, Windshield, Backlite, Quarter Windshield Frame, Hinges 1998 TJ	Fig. STJ-710
Glass, Windshield, Backlite, Quarter Windshield Frame, Hinges 1999 TJ	Fig. STJ-710
Aperture Panel	
Panels, Body Side Wrangler 1997 TJ	Fig. STJ-810
Panels, Body Side Wrangler 1998 TJ	Fig. STJ-810
Panels, Body Side Wrangler 1999 TJ	Fig. STJ-810
Roof - Hard & Soft Top	
Soft Top And Windows Wrangler 1997 TJ	Fig. STJ-1110
Soft Top And Windows Wrangler 1998 TJ 1999 TJ	Fig. STJ-1110
Top Enclosure, Hard 1997 TJ	Fig. STJ-1120
Top Enclosure, Hard 1998 TJ	Fig. STJ-1120
Top Enclosure, Hard 1999 TJ	Fig. STJ-1120
Tailgate	
Tailgate Wrangler 1997 TJ	Fig. STJ-1310
Tailgate Wrangler 1998 TJ	Fig. STJ-1310
Tailgate Wrangler 1999 TJ	Fig. STJ-1310
Add-a-Trunk	Fig. STJ-1320
Luggage Rack	
Sport Bar Wrangler	Fig. STJ-1610

Pan, Floor Front And Rear
Figure STJ-210



ITEM	PART NUMBER	QTY	LINE	BODY	DESCRIPTION
1					PAN, Floor
	5534 6185	1	J	77	1997 TJ
		1	U	77	1997 TJ
	55346 185AB	1			1998 TJ
	55346 185AC	1			1999 TJ
2					PANEL, Cowl Side
	5517 4828	1	J	77	1997 TJ, Right
		1	U	77	1997 TJ, Right
		1			1998 TJ, 1999 TJ, Right
	5517 4829	1	J	77	1997 TJ, Left
		1	U	77	1997 TJ, Left
	55174 829AB	1			1998 TJ, 1999 TJ, Left
3	5517 5209	1			REINFORCEMENT, Park Brake Mounting
4	6033 150	2			NUT PLATE, .25-20
5					RISER, Seat
	5517 4809	1	J	77	1997 TJ
		1	U	77	1997 TJ
	55174 809AB	1			1998 TJ, 1999 TJ
6					PAN, Floor
	5517 4811	1	J	77	Rear Floor, 1997 TJ
		1	U	77	Rear Floor, 1997 TJ
		1			1998 TJ, 1999 TJ
-7					NUT, Rivet
	6035 880	2	U		Child Restraint, R.H.D., AUSTRALIA, 1997 TJ
		2	U		Child Restraint, AUSTRALIA, 1998 TJ, 1999 TJ
8					CROSSMEMBER, Seat Belt Mount
	5517 6240	1	J	77	1997 TJ
		1	U	77	1997 TJ
		1			1998 TJ, 1999 TJ
9					CROSSMEMBER, Underbody
	5517 6241	1	J	77	Body Mount #4, 1997 TJ
		1	U	77	Body Mount #4, 1997 TJ
		1			Body Mount #4, 1998 TJ, 1999 TJ
10					REINFORCEMENT, Shoulder Belt
	4490 835	1			1997 TJ, 1998 TJ
	4490 835AB	1			1999 TJ
11					CROSSMEMBER, Rear Floor
	5517 6237	1	J	77	Rear Floor, 1997 TJ
		1	U	77	Rear Floor, 1997 TJ
		1			1998 TJ, 1999 TJ
12					SILL, Rear
	5517 5788	1			1997 TJ
	55175 788AB	1			1998 TJ
	55175 788AC	1			1999 TJ

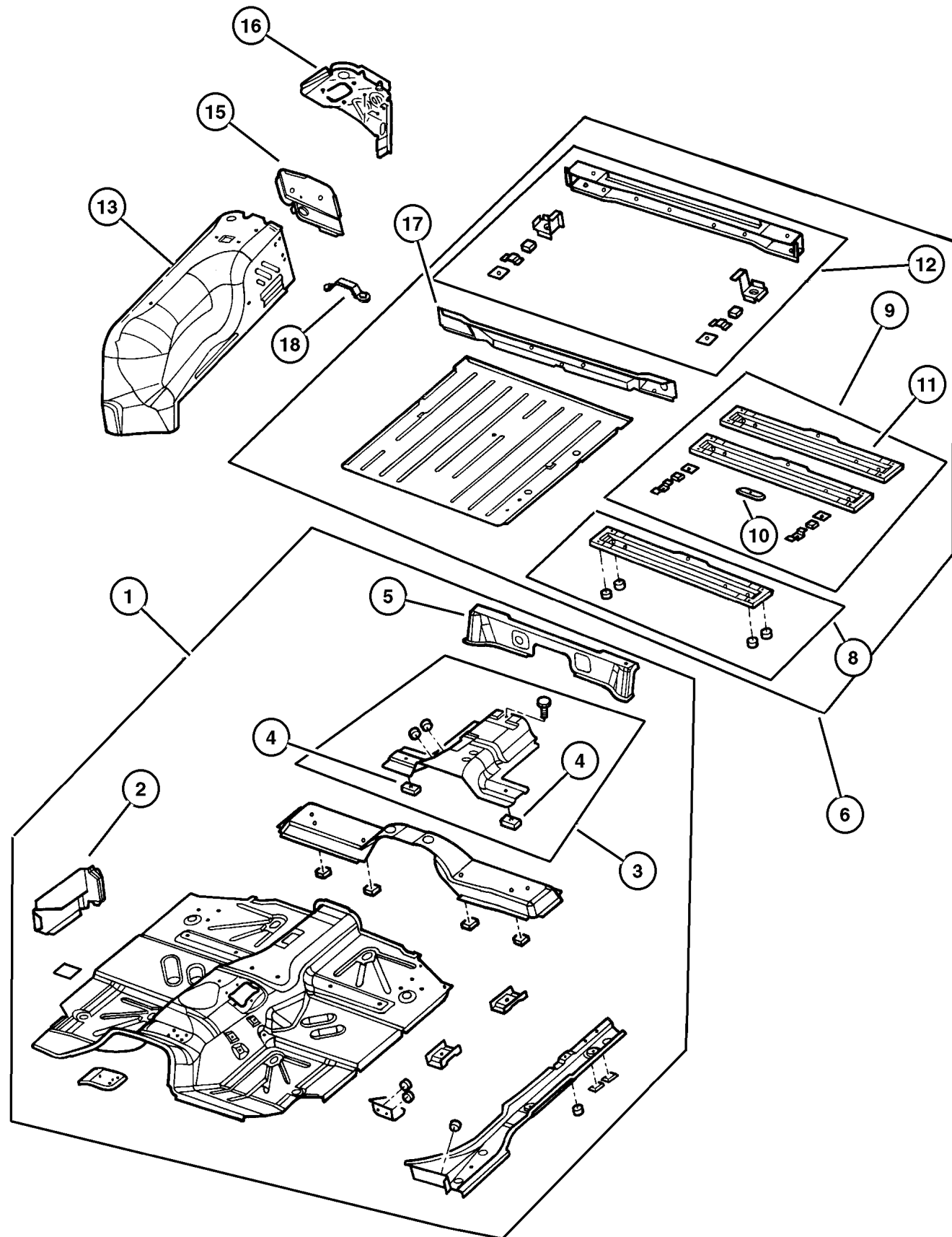
JEEP WRANGLER (TJ)

SERIES	LINE	BODY	ENGINE	TRANSMISSION
L=Low Line	J = Wrangler 4WD U = Wrangler 4WD (RHD)	77 = 93.4 WB	EPE, EP0 = 2.5L Power Tech ERH, ER0 = 4.0L Power Tech	DGG, DGD = 32RH 3 Spd. Auto. DDQ = 5 Spd. Manual DG0 = All Auto. Trans. DBB =All Manual Trans.

AR = Use as required - = Non illustrated part # = New this model year

June 7, 2002

Pan, Floor Front And Rear
Figure STJ-210



ITEM	PART NUMBER	QTY	LINE	BODY	DESCRIPTION
13					PANEL, Wheelhouse
	5517 5230	1	J	77	1997 TJ, Right
		1	U	77	1997 TJ, Right
	55175 230AC	1			1998 TJ, 1999 TJ, Right
	5517 5231	1	J	77	1997 TJ, Left
		1	U	77	1997 TJ, Left
	55175 231AC	1			1998 TJ, 1999 TJ, Left
-14					TAPPING PLATE
	4490 111	1			(Included in Wheelhouse Panel), 1997 TJ
		1			Also Serviced in Panel, Wheelhouse, 1998 TJ, 1999 TJ
15					PANEL, Rear Closure
	55176 526AB	1			1997 TJ, 1998 TJ, Right
	55176 526AC	1			1999 TJ, Right
	55176 527AB	1			1997 TJ, 1998 TJ, Left
	55176 527AC	1			1999 TJ, Left
16					REINFORCEMENT, Wheelhouse
	5517 5064	1	J	77	1997 TJ, Right
		1	U	77	1997 TJ, Right
	55175 064AB	1			1998 TJ, 1999 TJ, Right
	5517 5065	1	J	77	1997 TJ, Left
		1	U	77	1997 TJ, Left
	55175 065AB	1			1998 TJ, 1999 TJ, Left
17	5517 5790	1			PANEL, Rear Body Closing, Lower Center Panel
18	5501 3668	8			CHECK, Front Door

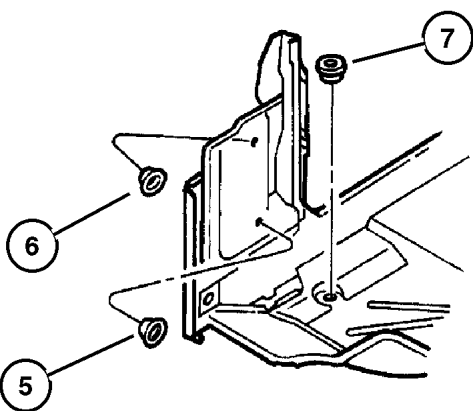
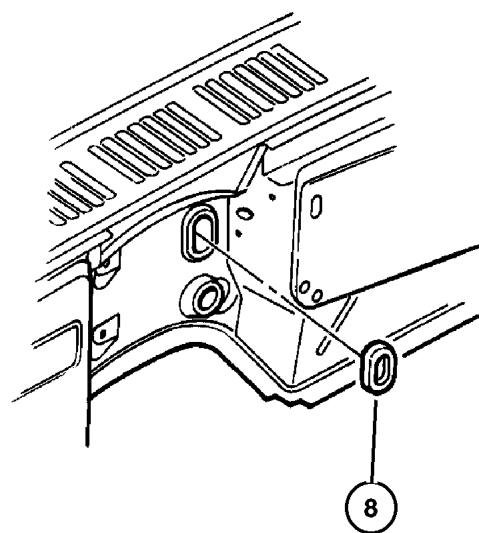
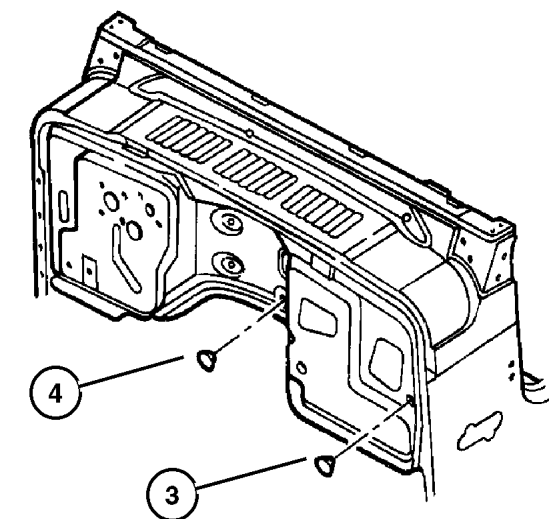
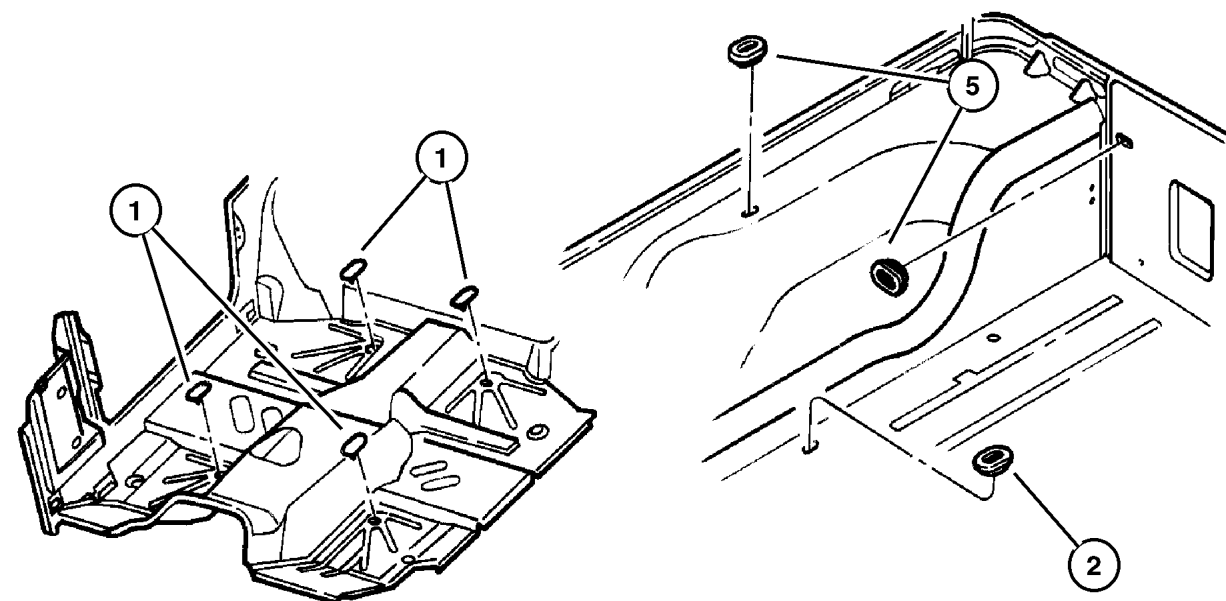
JEEP WRANGLER (TJ)

SERIES	LINE	BODY	ENGINE	TRANSMISSION
L=Low Line	J = Wrangler 4WD U = Wrangler 4WD (RHD)	77 = 93.4 WB	EPE, EP0 = 2.5L Power Tech ERH, ER0 = 4.0L Power Tech	DGG, DGD = 32RH 3 Spd. Auto. DDQ = 5 Spd. Manual DG0 = All Auto. Trans. DBB =All Manual Trans.

AR = Use as required - = Non illustrated part # = New this model year

June 7, 2002

Plugs Wrangler 1997 TJ
Figure STJ-310



ITEM	PART NUMBER	QTY	LINE	BODY	DESCRIPTION
1	4586 055	8			PLUG, Floor Pan, Front Floor Pan Drain Holes
2	6004 507	2			PLUG, Body, 25.4mm x 38.1mm, Rubber 25.4x38.1, Rear Floor Pan
3	2424 864	1			PLUG, Body, 1.75 Diameter, w/o Automatic
4	4780 194	AR			PLUG, Dash Panel Rear Body Wiring
5	1774 076	2			PLUG
6	5517 6185	2	J	77	PLUG, Body, Rubber #16
		2	U	77	
7	4646 855	2			PLUG, Floor Pan
8	6502 246	1			PLUG, Body, 4.0mm X 76.4mm, Dash Center Hole, Rubber 4.0x76.4

JEEP WRANGLER (TJ)

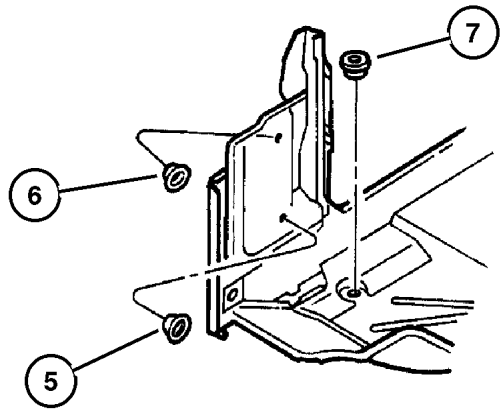
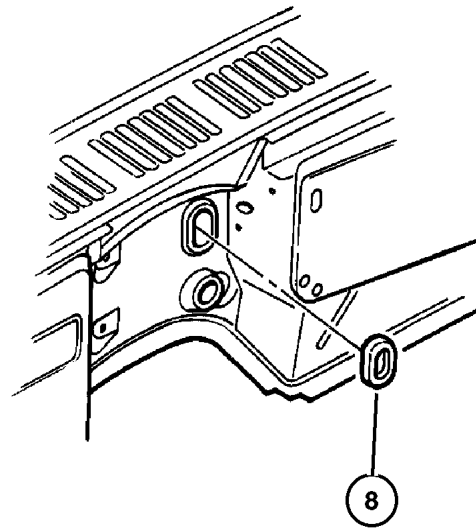
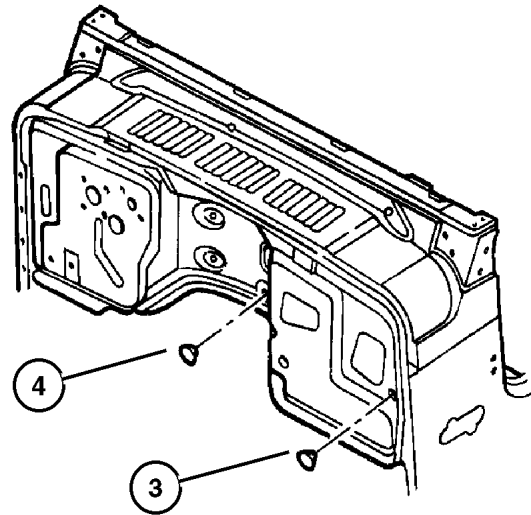
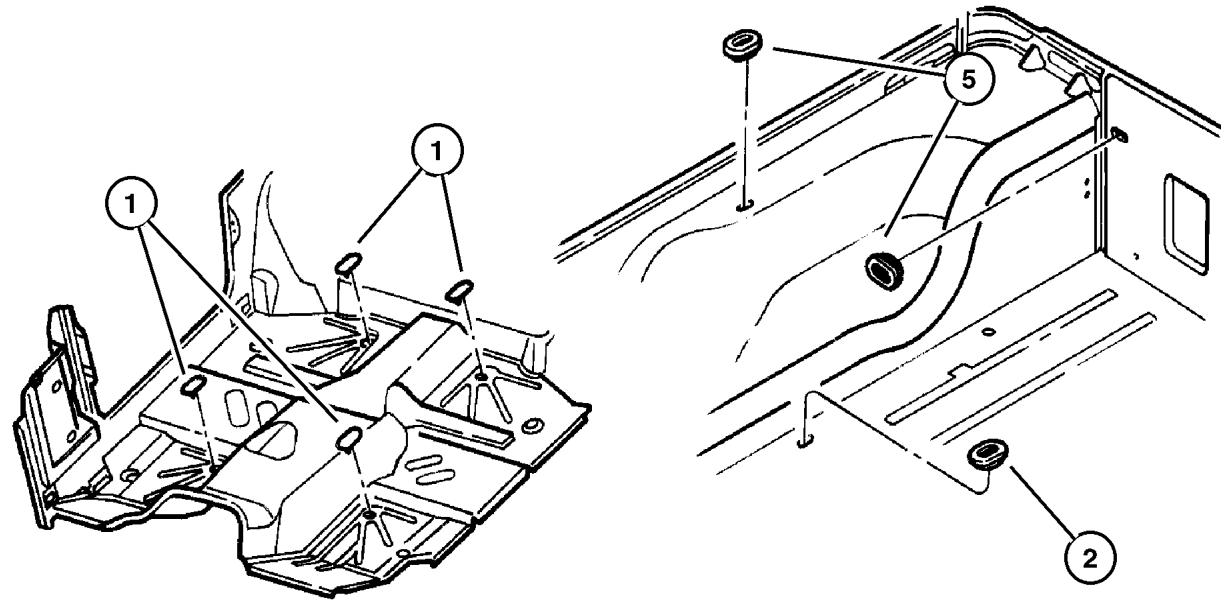
SERIES	LINE	BODY	ENGINE	TRANSMISSION
L=Low Line	J = Wrangler 4WD U = Wrangler 4WD (RHD)	77 = 93.4 WB	EPE, EP0 = 2.5L Power Tech ERH, ER0 = 4.0L Power Tech	DGG, DGD = 32RH 3 Spd. Auto. DDQ = 5 Spd. Manual DGO = All Auto. Trans. DBB =All Manual Trans.

AR = Use as required - = Non illustrated part # = New this model year

June 7, 2002

Plugs 1998 TJ 1999 TJ
Figure STJ-310

ITEM	PART NUMBER	QTY	LINE	BODY	DESCRIPTION
1	4586 055	8			PLUG, Floor Pan, Front
2	6004 507	2			PLUG, Body, 25.4mm x 38.1mm, Rubber, Rear Floor Pan
3	2424 864	1			PLUG, Body, 1.75 Diameter
4	4780 194	AR			PLUG, Dash Panel Rear Body Wiring
5	1774 076	2			PLUG
6	55176 729AA	2			PLUG, Cowl Side
7	4646 855	2			PLUG, Floor Pan
8					PLUG, Body, 4.0mm X 76.4mm (NOT SERVICED), 1999 TJ
	6502 246	1			Dash Center Hole, Rubber 4.0x76.4, 1998 TJ



JEEP WRANGLER (TJ)

SERIES	LINE	BODY	ENGINE	TRANSMISSION
L=Low Line	J = Wrangler 4WD U = Wrangler 4WD (RHD)	77 = 93.4 WB	EPE, EP0 = 2.5L Power Tech ERH, ER0 = 4.0L Power Tech	DGG, DGD = 32RH 3 Spd. Auto. DDQ = 5 Spd. Manual DG0 = All Auto. Trans. DBB =All Manual Trans.

AR = Use as required - = Non illustrated part # = New this model year

June 7, 2002

Fender And Flare, Front Wrangler 1997 TJ Figure STJ-410

ITEM	PART NUMBER	QTY	LINE	BODY	DESCRIPTION
------	-------------	-----	------	------	-------------

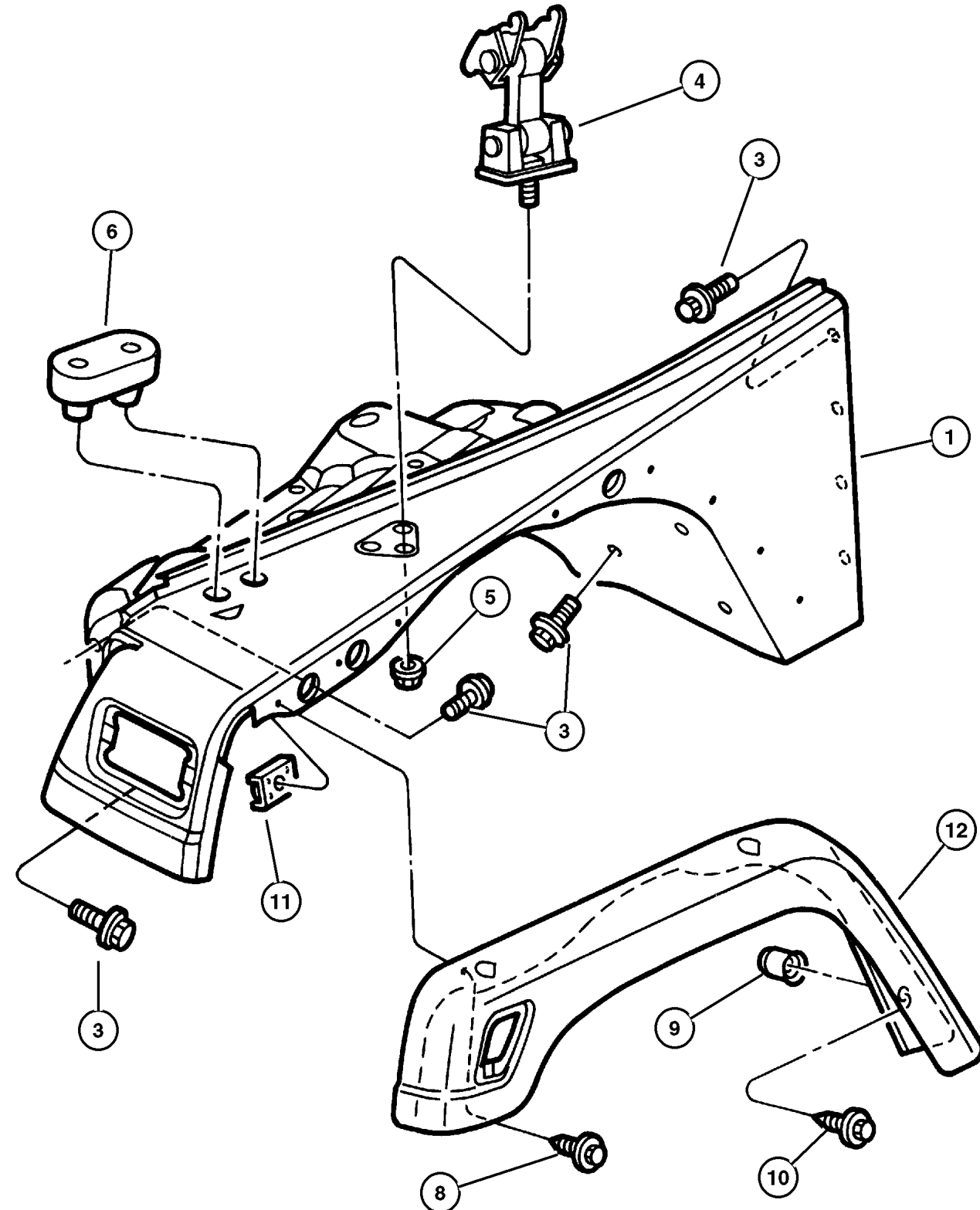
Note: J=Dana 35 Rear Axle---DRK=Dana 44 Rear Axle

Sales Code: J=Dana 35 Rear Axle---DRK=Dana 44 Rear Axle

K30 = Fender Flares J=Dana 35 Rear Axle---DRK=Dana 44 Rear Axle

K50 = Fender Flares Premium J=Dana 35 Rear Axle---DRK=Dana 44 Rear Axle

1					PANEL, Fender
	5517 4678	1	J	77	Right
		1	U	77	Right
	5517 4679	1	J	77	Left
		1	U	77	Left
-2	5517 4658	2			SHIELD, Splash, Front
3	6101 542	12			SCREW, Hex Head, M8-1.25 x 20
4	55176 636AB	2			CATCH, Hood
5	6101 445	2			NUT AND WASHER, Hex Nut-Coned Washer, M8 x 1.25
6	J400 7541	2			BUMPER, Fender, Oblong Head in Front Fender as Hood Cushion
-7	55176 741AA	2			BUMPER, Fender, Fender Mid Span
8					SCREW AND WASHER, .190-16x.750, (NOT SERVICED)
9	6503 812	5			NUT, Rivet Round, M5x0.80x11.09
10					SCREW AND WASHER, M5x.080x20.00, (NOT SERVICED)
11					NUT, Plastic
	J400 4868	10			Rear
		14			Front
12					EXTENSION, Fender
	5525 4918	1		77	Black, Textured, (K30), Right
	5525 4919	1		77	Black, Textured, (K30), Left
	5DS7 0DX9	1		77	Black, Flat, SAHARA, (K50), Right
	5DS7 0TJN	1		77	Moss Green, SAHARA, (K50), Right
	5DS7 0TW1	1		77	White, SAHARA, (K50), Right
	5DS7 0TX8	1		77	Black, High Gloss, SAHARA, (K50), Right
	5DS7 1DX9	1		77	Black, Flat, SAHARA, (K50), Left
	5DS7 1TJN	1		77	Moss Green, SAHARA, (K50), Left
	5DS7 1TW1	1		77	White, SAHARA, (K50), Left
	5DS7 1TX8	1		77	Black, High Gloss, SAHARA, (K50), Left



JEEP WRANGLER (TJ)

SERIES	LINE	BODY	ENGINE	TRANSMISSION
L=Low Line	J = Wrangler 4WD U = Wrangler 4WD (RHD)	77 = 93.4 WB	EPE, EP0 = 2.5L Power Tech ERH, ER0 = 4.0L Power Tech	DGG, DGD = 32RH 3 Spd. Auto. DDQ = 5 Spd. Manual DG0 = All Auto. Trans. DBB =All Manual Trans.

AR = Use as required - = Non illustrated part # = New this model year

June 7, 2002

Fender And Flare, Front Wrangler 1998 TJ 1999 TJ
Figure STJ-410

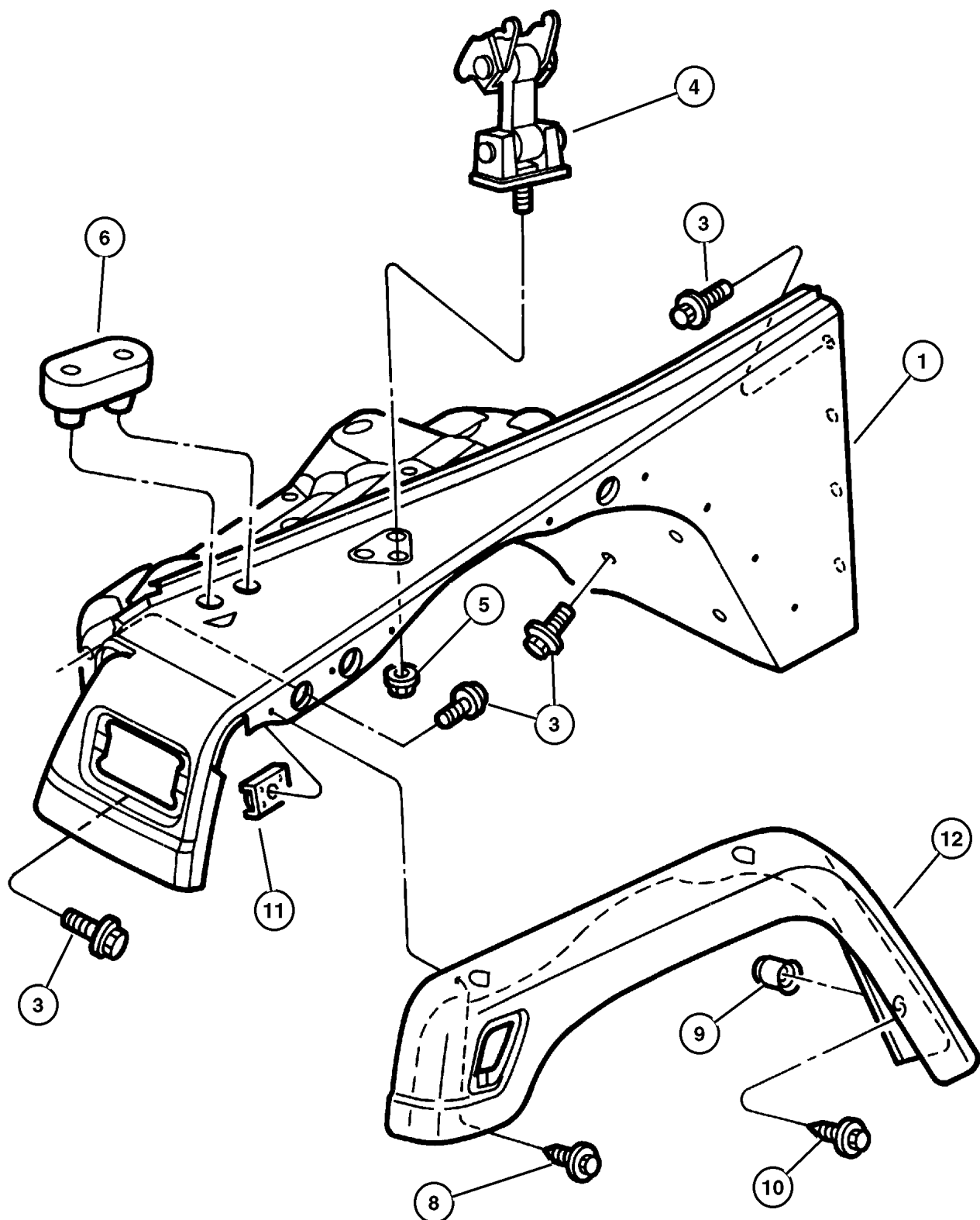
ITEM	PART NUMBER	QTY	LINE	BODY	DESCRIPTION
1					PANEL, Fender
	5003 950AB	1			Right
	5003 951AB	1			Left
-2	5517 4658	2			SHIELD, Splash, Front
3	6100 583	8			BOLT AND CONED WASHER, Hex Head, M8x25x20
4					CATCH, Hood
	55176 636AC	2			1998 TJ
	55176 636AD	2			1999 TJ
5	6101 445	2			NUT AND WASHER, Hex Nut-Coned Washer, M8 x 1.25
6	J400 7541	2			BUMPER, Fender, Oblong Head in Front Fender as Hood Cushion
-7	55176 741AA	2			BUMPER, Fender, Mid Span
8					SCREW AND WASHER, .190-16x.750, (NOT SERVICED)
9					NUT, M5x0.80x11.09, (NOT SERVICED)
10					SCREW AND WASHER, M5x.080x20.00, (NOT SERVICED)
11					NUT, Plastic
	J400 4868	10			Rear
		14			Front
12					EXTENSION, Fender
	QP94 DX8	1			Black High Gloss, SAHARA, 1998 TJ, Right
		1			Black, High Gloss, SAHARA, 1999 TJ, Right
	QP94 DX9	1			Black, Flat, SAHARA, Right
	QP94 RJN	1			Moss Green, SAHARA, 1998 TJ, Right
	QP94 SG8	1			Forest Green, SAHARA, 1999 TJ, Right
	QP94 SW1	1			White, SAHARA, Right
	QP94 WTD	1			Sand, SAHARA, 1999 TJ, Right
	QP95 DX8	1			Black High Gloss, SAHARA, 1998 TJ, Left
		1			Black, High Gloss, SAHARA, 1999 TJ
	QP95 DX9	1			Black, Flat, SAHARA, Left
	QP95 RJN	1			Moss Green, SAHARA, 1998 TJ, Left
	QP95 SG8	1			Forest Green, SAHARA, 1999 TJ
	QP95 SW1	1			White, SAHARA, Left
	QP95 WTD	1			Sand, SAHARA, 1999 TJ
	5525 4918	1			Black, Textured, Right
	5525 4919	1			Black, Textured, Left

JEEP WRANGLER (TJ)

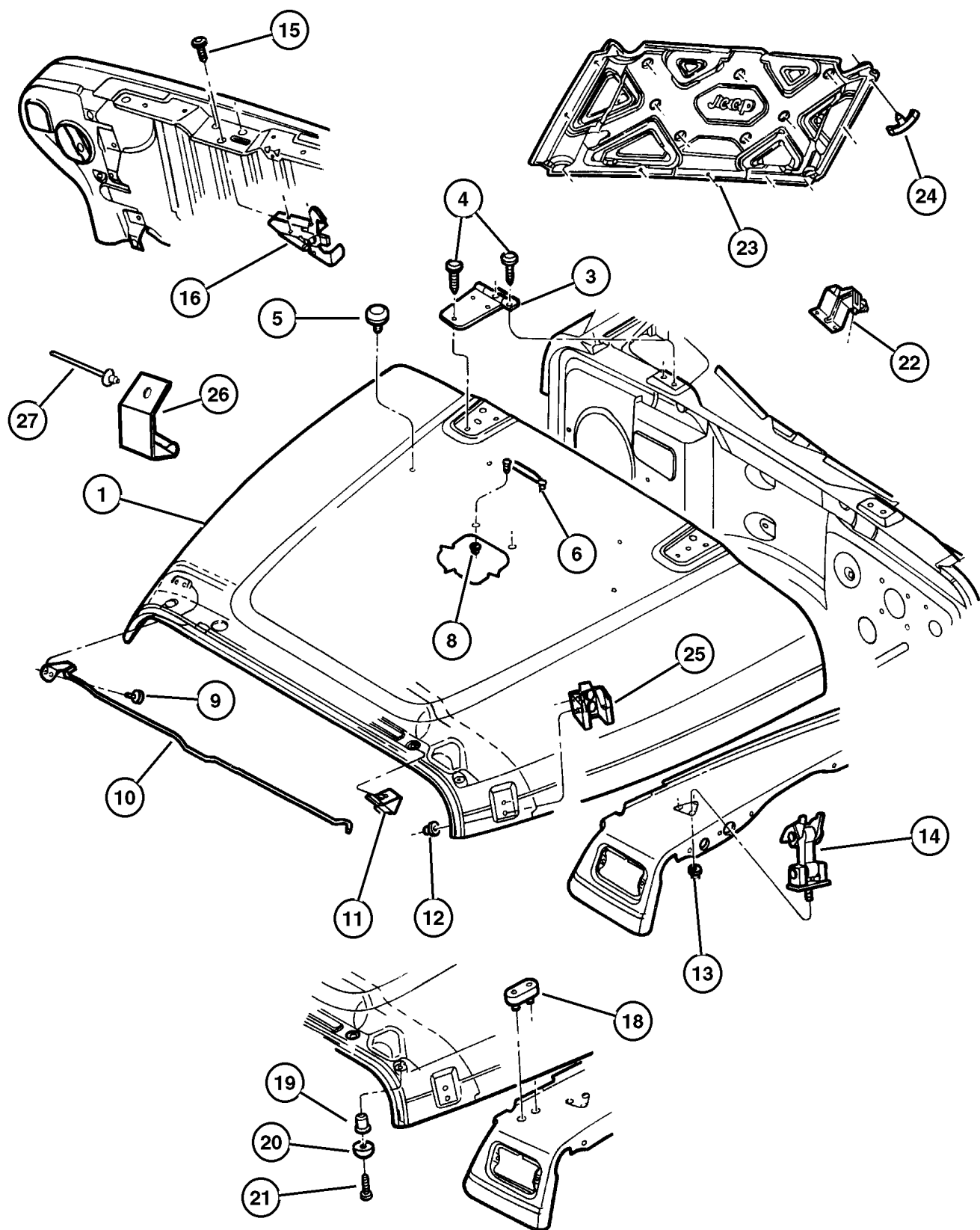
SERIES	LINE	BODY	ENGINE	TRANSMISSION
L=Low Line	J = Wrangler 4WD U = Wrangler 4WD (RHD)	77 = 93.4 WB	EPE, EP0 = 2.5L Power Tech ERH, ER0 = 4.0L Power Tech	DGG, DGD = 32RH 3 Spd. Auto. DDQ = 5 Spd. Manual DG0 = All Auto. Trans. DBB =All Manual Trans.

AR = Use as required - = Non illustrated part # = New this model year

June 7, 2002



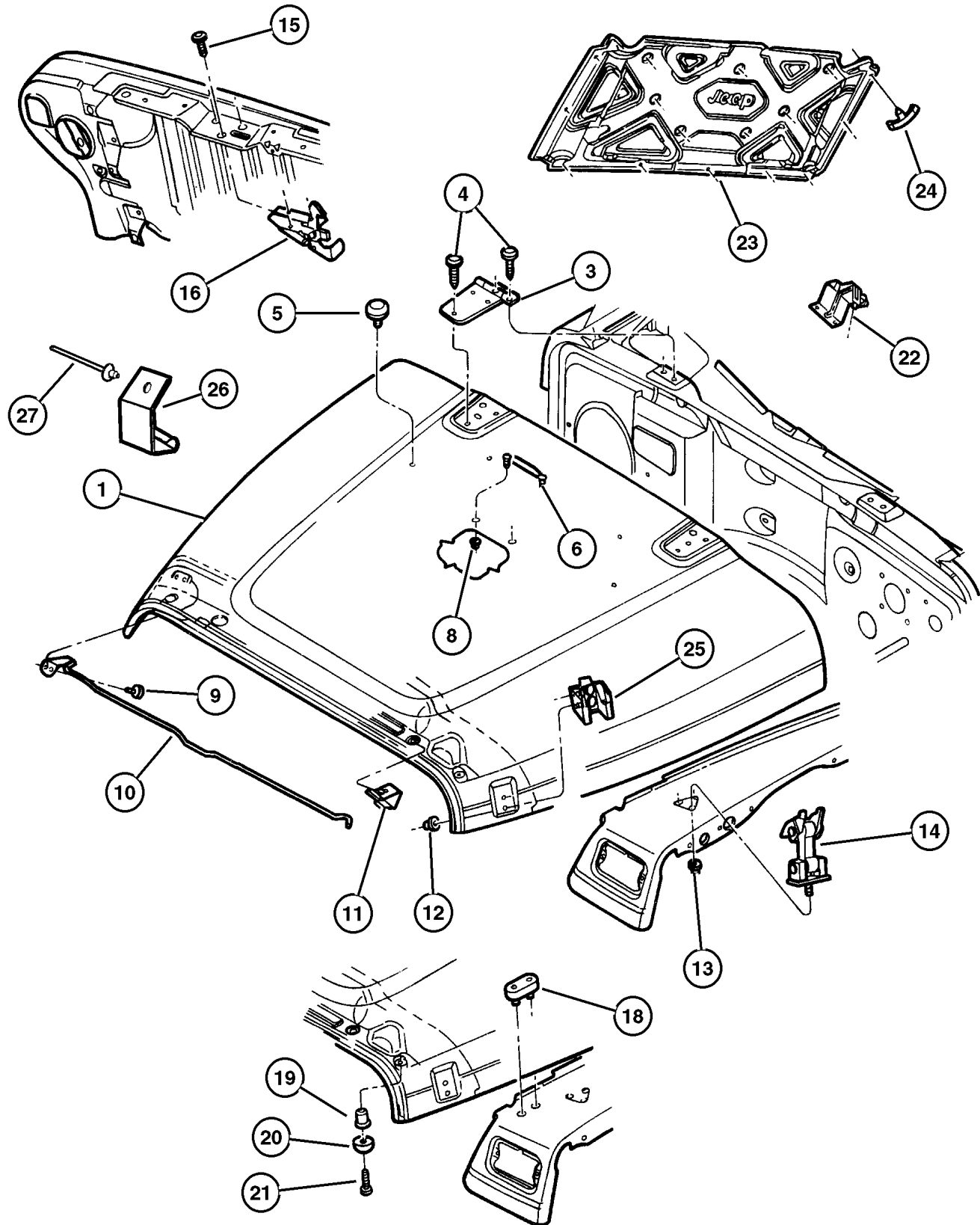
Hood, Lock, Catches Wrngler 1997 TJ 1998 TJ
Figure STJ-510



ITEM	PART NUMBER	QTY	LINE	BODY	DESCRIPTION
1					HOOD
	5517 6498	1			Up to 1-2-97, 1997 TJ
	55176 594AB	1			After 1-3-97, 1997 TJ
	55176 594AC	1			1998 TJ
-2	5517 6589	AR			SHIM
3					HINGE, Hood
	5507 5559	2	J	77	With Shims, 1997 TJ
		2	U	77	With Shims, 1997 TJ
		2			1998 TJ
4	6503 154	6			SCREW AND WASHER, Round Head, M8x1.25x20
5					BUMPER, Hood
	5507 5590	2	J	77	Hood Windshield Rest, 1997 TJ
		2	U	77	Hood Windshield Rest, 1997 TJ
		2			1998 TJ
6	5517 6422	1			BRACKET, Windshield Hold Down
-7					SCREW, .19-24.50 (NOT SERVICED), 1997 TJ
	6036 102AA	2			1998 TJ
8	6502 028	2			NUT AND WASHER, Hex Nut-Coned Washer, M4 x 0.70
9	6034 980	2			SCREW, Pan Head, .19-24x.437, Hood Prop Rod Mounting
10					ROD, Hood Prop
	5517 6144	1	J	77	1997 TJ
		1	U	77	1997 TJ
	5517 6635	1			1998 TJ
11					CLIP, Prop Rod
	55075 480AB	1			1997 TJ
	55075 480AC	1			1998 TJ
12	6504 030	4			NUT AND WASHER, Hex, M6x1
13	6101 445	2			NUT AND WASHER, Hex Nut-Coned Washer, M8 x 1.25
14	55176 636AC	2			CATCH, Hood
15					SCREW, Tapping, M6x1x20 (NOT SERVICED), 1997 TJ
	6502 064	1			1998 TJ
16					HOOK, Hood Safety Catch
	55074 952AB	1			Up to 1-2-97, 1997 TJ
	55176 731AA	1			After 1-3-97
-17	55176 732AB	1			SPRING, Hood Pop Up
18	J400 7541	2			BUMPER, Fender, Oblong
19	J400 5237	2			NUT, Hex, .19-32x430, Well Type Hood Bumper support, .190-32x.430
20	5517 6291	2			BUMPER, Steel Insert
21	6034 205	2			SCREW, Pan Head, .19-32x.625, Hood Bumper Support, .190-32.620
22					REINFORCEMENT, Hood Hinge

JEEP WRANGLER (TJ)
 SERIES LINE BODY ENGINE TRANSMISSION
 L=Low Line J = Wrangler 4WD 77 = 93.4 WB EPE, EP0 = 2.5L Power Tech DGG, DGD = 32RH 3 Spd. Auto.
 U = Wrangler 4WD (RHD) ERH, ER0 = 4.0L Power Tech DDQ = 5 Spd. Manual
 DG0 = All Auto. Trans.
 DBB =All Manual Trans.

Hood, Lock, Catches Wrngler 1997 TJ 1998 TJ
Figure STJ-510



ITEM	PART NUMBER	QTY	LINE	BODY	DESCRIPTION
	5517 5096	2	J	77	1997 TJ, Rear
		2	U	77	1997 TJ, Rear
		2			1998 TJ
23					INSULATION, Hood
	5521 6674	1	J	77	1997 TJ, Export
		1	U	77	1997 TJ, Export
	55216 674AB	1			1998 TJ
24	6003 351	12			RETAINER, Hood Insulation, .415x.690
25					BRACKET, Hood Catch
	5517 6428	2			1997 TJ
	55176 428AB	2			1998 TJ
26					SKID PLATE, Secondary Hood Catch, (NOT REQUIRED)
27					RIVET, M5x11.30, (NOT REQUIRED)

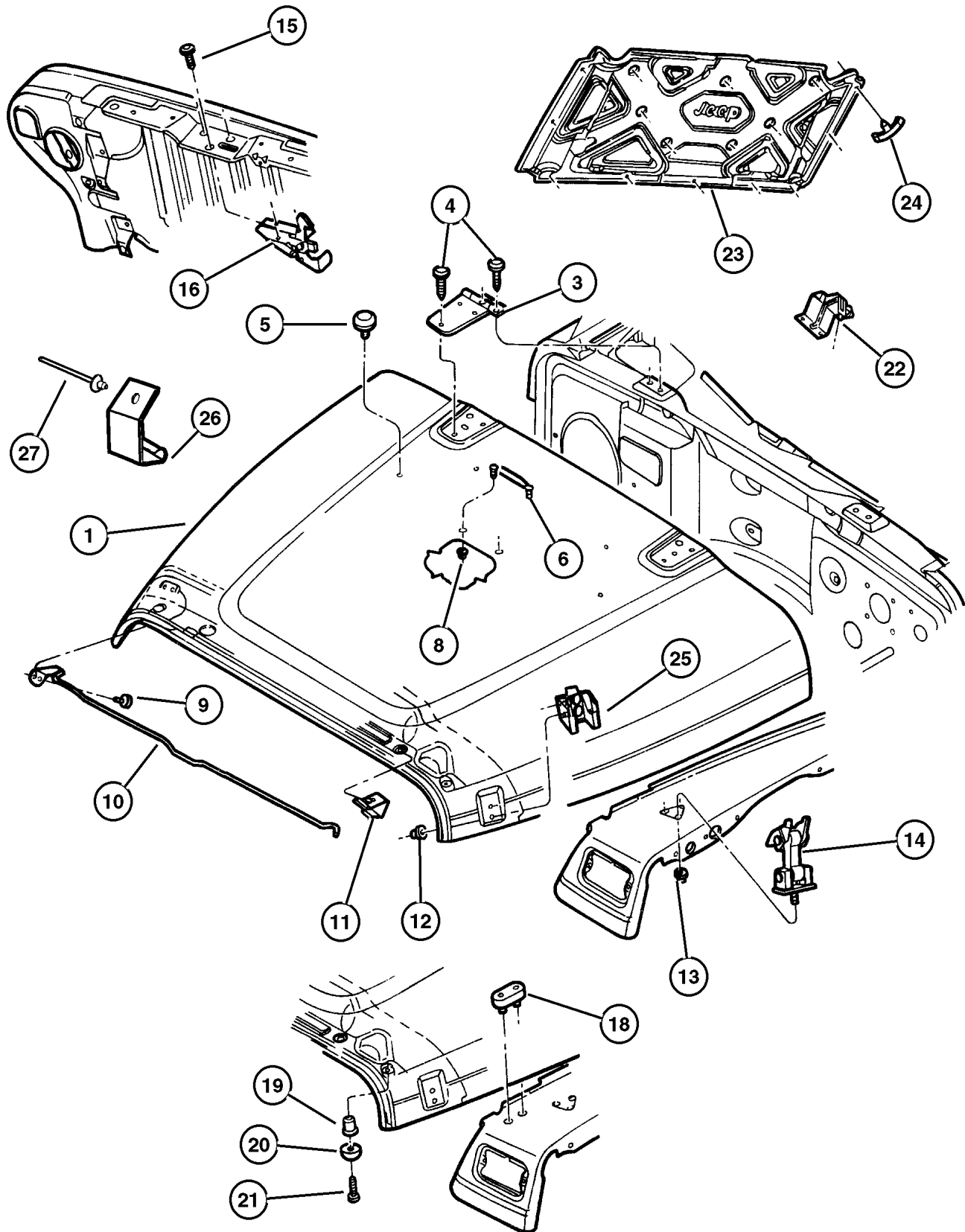
JEEP WRANGLER (TJ)				
SERIES	LINE	BODY	ENGINE	TRANSMISSION
L=Low Line	J = Wrangler 4WD U = Wrangler 4WD (RHD)	77 = 93.4 WB	EPE, EP0 = 2.5L Power Tech ERH, ER0 = 4.0L Power Tech	DGG, DGD = 32RH 3 Spd. Auto. DDQ = 5 Spd. Manual DG0 = All Auto. Trans. DBB =All Manual Trans.

AR = Use as required - = Non illustrated part # = New this model year

June 7, 2002

Hood, Lock, Catches 1999 TJ
Figure STJ-510

ITEM	PART NUMBER	QTY	LINE	BODY	DESCRIPTION
1	55176 594AC	1			HOOD
-2	5517 6589	AR			SHIM
3	5507 5559	2			HINGE, Hood
4	6503 154	6			SCREW AND WASHER, Round Head, M8x1.25x20
5	5507 5590	2			BUMPER, Hood
6	5517 6422	1			BRACKET, Windshield Hold Down
-7	6036 102AA	2			SCREW, .19-24.50
8	6502 028	2			NUT AND WASHER, Hex Nut-Coned Washer, M4 x 0.70
9	6034 980	2			SCREW, Pan Head, .19-24x.437, Hood Prop Rod Mounting
10	55176 635AB	1			ROD, Hood Prop
11	55075 480AC	1			CLIP, Prop Rod
12	6504 030	4			NUT AND WASHER, Hex, M6x1
13	6101 445	2			NUT AND WASHER, Hex Nut-Coned Washer, M8 x 1.25
14	55176 636AD	2			CATCH, Hood
15					SCREW AND WASHER, (NOT SERVICED)
16	55176 731AE	1			HOOK, Hood Safety Catch
-17	55176 732AB	1			SPRING, Hood Pop Up
18	J400 7541	2			BUMPER, Fender, Oblong
19	J400 5237	2			NUT, Hex, .19-32x430, Well Type Hood Bumper support, .190-32x.430
20	5517 6291	2			BUMPER, Steel Insert
21	6034 205	2			SCREW, Pan Head, .19-32x.625, Hood Bumper Support, .190-32.620
22	5517 5096	2			REINFORCEMENT, Hood Hinge
23					INSULATION, Hood, (NOT REQUIRED)
24					RETAINER, Hood Insulation, .415x.690, (NOT REQUIRED)
25	55176 428AC	2			BRACKET, Hood Catch
26	5503 2768	1			SKID PLATE, Secondary Hood Catch
27	6500 787	1			RIVET, M5x11.30



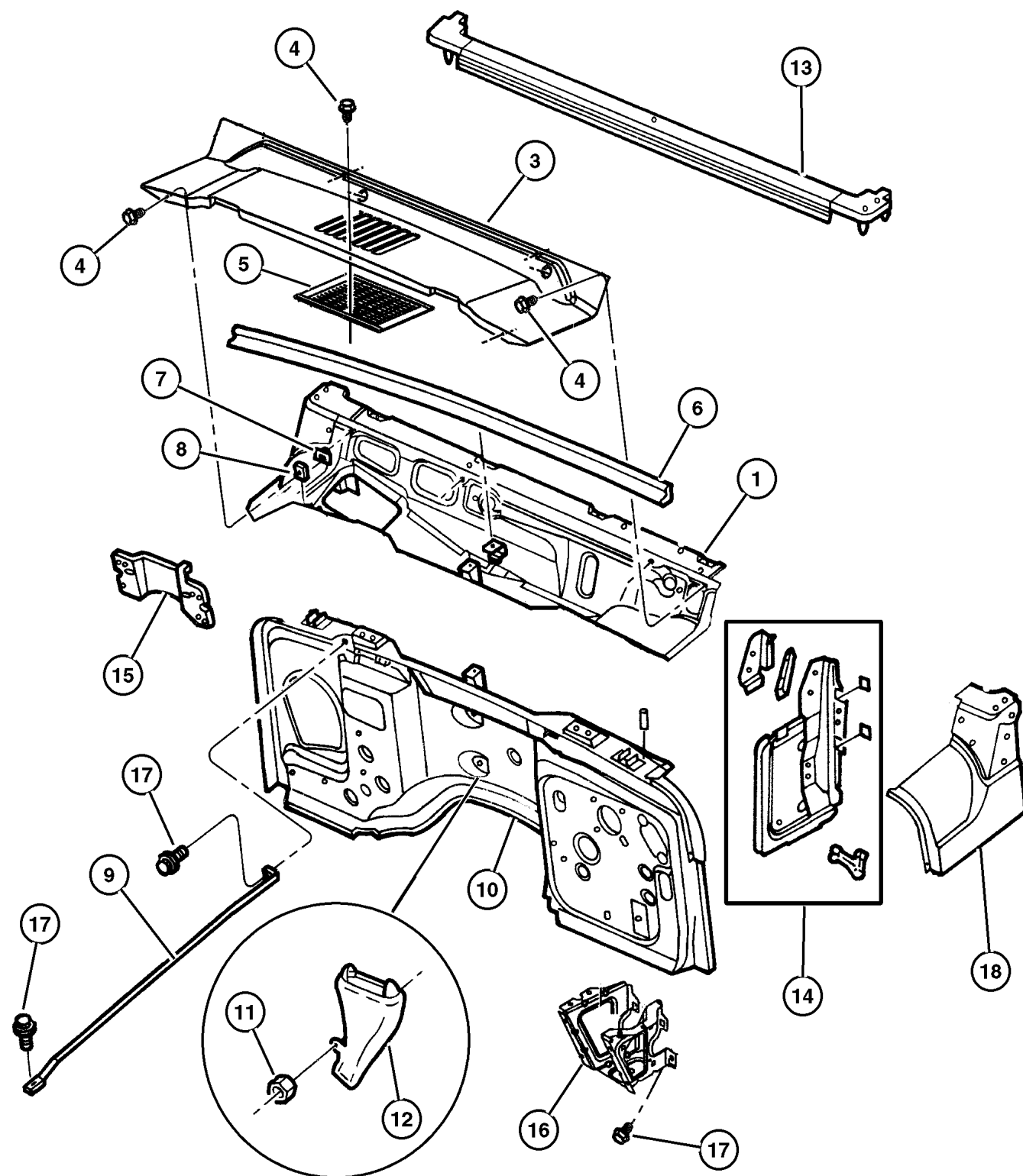
JEEP WRANGLER (TJ)

SERIES	LINE	BODY	ENGINE	TRANSMISSION
L=Low Line	J = Wrangler 4WD U = Wrangler 4WD (RHD)	77 = 93.4 WB	EPE, EP0 = 2.5L Power Tech ERH, ER0 = 4.0L Power Tech	DGG, DGD = 32RH 3 Spd. Auto. DDQ = 5 Spd. Manual DG0 = All Auto. Trans. DBB =All Manual Trans.

AR = Use as required - = Non illustrated part # = New this model year

June 7, 2002

Panels, Cowl And Dash Wrangler 1997 TJ
Figure STJ-610



ITEM	PART NUMBER	QTY	LINE	BODY	DESCRIPTION
1					PANEL, Cowl
	5517 4624	1	J	77	
	5517 4625	1	U	77	
-2					SEAL, Cowl
	5503 7285	1	J		
	5503 7286	1	U		
3					GRILLE, Cowl Panel
	5517 4636	1	J	77	
	55174 637AB	1	U		
4					SCREW, .164-18x1.00, (NOT SERVICED)
5					SCREEN, Cowl
	5503 6717	1	U	77	
	5517 4638	1	J	77	
6					WEATHERSTRIP, Hood to Cowl
	5517 4640	1	J	77	
		1	U	77	
7	3420 1872	4			NUT, Snap In, M4.2 x 1.41, Plastic Closed End Cowl Grille Attach
8					NUT, Spring, .16-18
	0152 490	3	J		
		3	U		
9	5517 6588	2			BRACKET, Dash Panel to Plenum
10					PANEL, Dash
	5517 4644	1	J	77	
	5517 4645	1	U	77	
11	6500 284	1			NUT, Hex, M6x1.00, Hex, M6x1.00
12					PLENUM, Air Cleaner
	5517 6108	1	J	77	
		1	U	77	
13	55176 566AB	1			WEATHERSTRIP, Windshield to Cowl
14					PANEL, Cowl Side
	5517 6092	1	J	77	Upper,Right
		1	U	77	Upper,Right
	5517 6093	1	U		Upper,Left
		1	J	77	Upper,Left
15					BRACKET, Module
	5517 6011	1	J	77	
	5517 6099	1	U	77	
16					REINFORCEMENT, Battery Tray
	5517 4782	1	J	77	Right
		1	U	77	Right
	5517 4783	1	J	77	Left
		1	U	77	Left
17	6101 542	6			SCREW, Hex Head, M8-1.25 x 20

JEEP WRANGLER (TJ)
 SERIES LINE BODY ENGINE TRANSMISSION
 L=Low Line J = Wrangler 4WD 77 = 93.4 WB EPE, EP0 = 2.5L Power Tech DGG, DGD = 32RH 3 Spd. Auto.
 U = Wrangler 4WD (RHD) ERH, ER0 = 4.0L Power Tech DDQ = 5 Spd. Manual
 DG0 = All Auto. Trans.
 DBB =All Manual Trans.

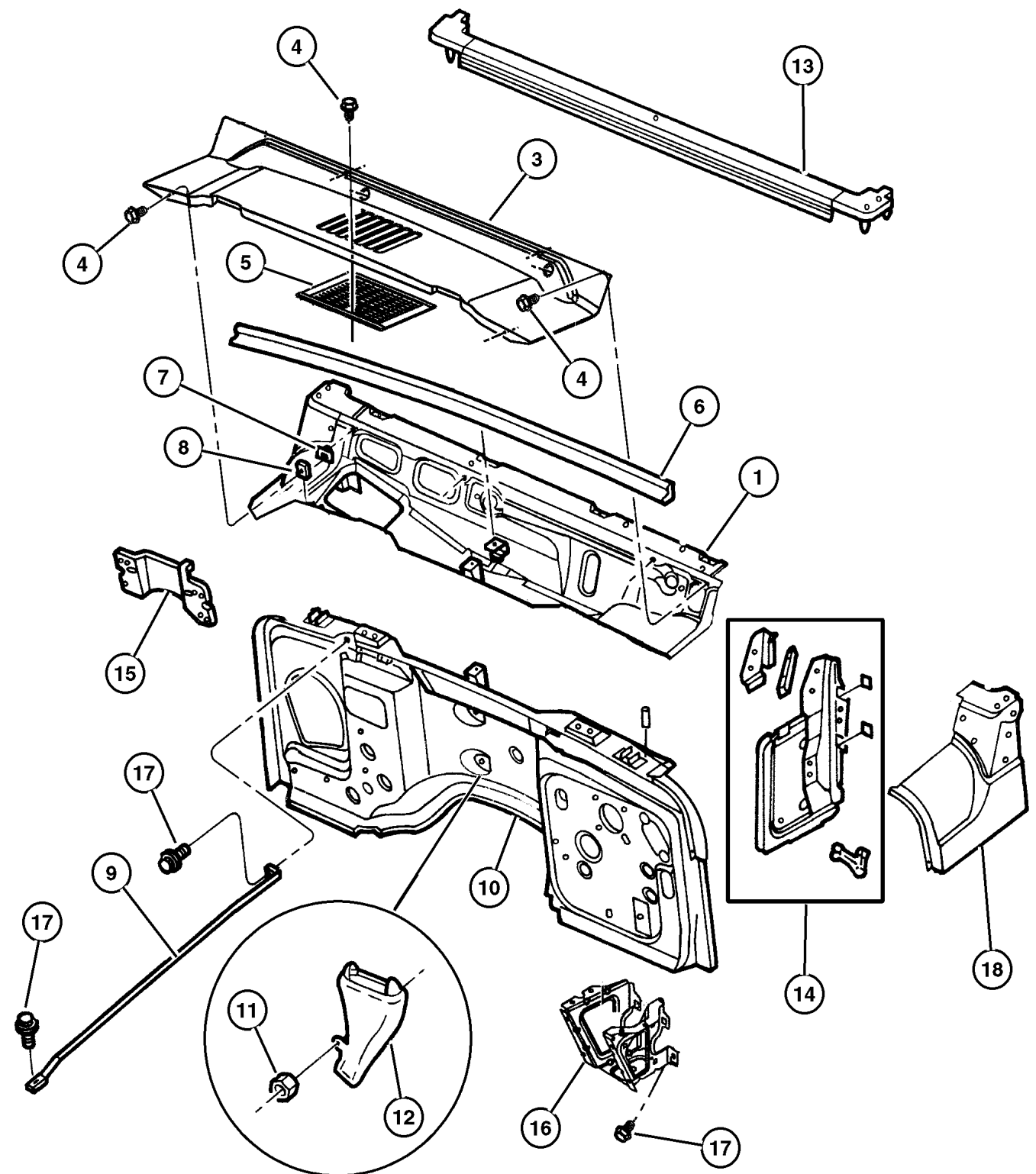
AR = Use as required - = Non illustrated part # = New this model year

June 7, 2002

Panels, Cowl And Dash Wrangler 1997 TJ
Figure STJ-610

ITEM	PART NUMBER	QTY	LINE	BODY	DESCRIPTION
------	-------------	-----	------	------	-------------

18					PANEL, Cowl Top, Serviced in Panel Body Side, (NOT SERVICED)
----	--	--	--	--	--

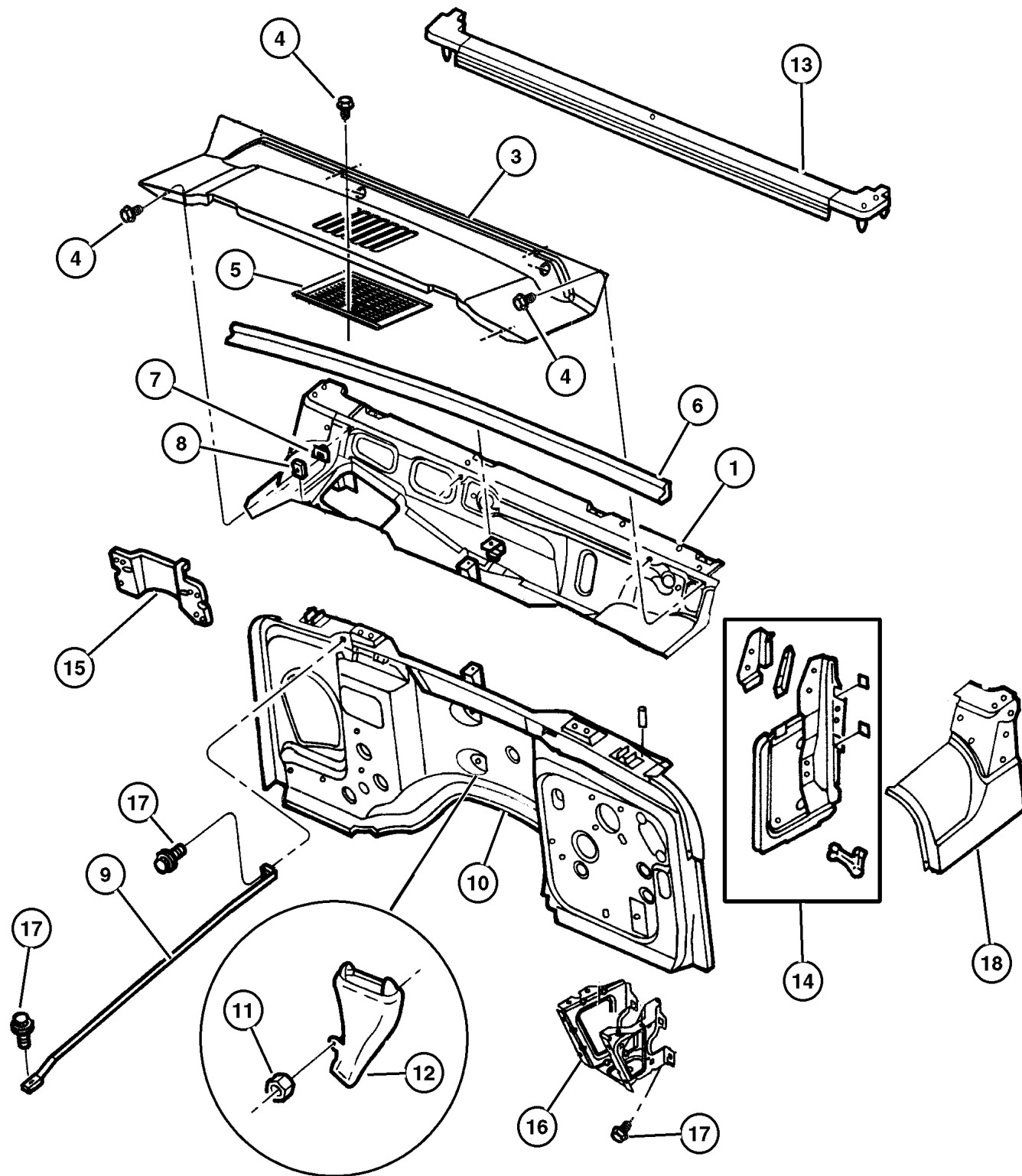


JEEP WRANGLER (TJ)				
SERIES	LINE	BODY	ENGINE	TRANSMISSION
L=Low Line	J = Wrangler 4WD U = Wrangler 4WD (RHD)	77 = 93.4 WB	EPE, EP0 = 2.5L Power Tech ERH, ER0 = 4.0L Power Tech	DGG, DGD = 32RH 3 Spd. Auto. DDQ = 5 Spd. Manual DG0 = All Auto. Trans. DBB =All Manual Trans.

AR = Use as required - = Non illustrated part # = New this model year

June 7, 2002

Panels, Cowl And Dash Wrangler 1998 TJ
Figure STJ-610



ITEM	PART NUMBER	QTY	LINE	BODY	DESCRIPTION
1					PANEL, Cowl
	55174 624AB	1	J		
	55174 625AB	1	U		
-2					SEAL, Plenum Drain
	55037 488AA	1	U		
	55037 489AA	1	J		
3					GRILLE, Cowl Panel
	55174 636AB	1	J		
	55174 637AC	1	U		
4					SCREW, 164-15x1.21, (NOT SERVICED)
5	55037 422AA	1			SCREEN, Cowl
6	5517 4640	1			WEATHERSTRIP, Hood to Cowl
7	3420 1872	4			NUT, Snap In, M4.2 x 1.41, Plastic Closed End Cowl Grille Attach
8					NUT, Spring, .16-18
	0152 490	3	J		
		3	U		
9	5517 6588	2			BRACKET, Dash Panel to Plenum
10					PANEL, Dash
	5517 4644	1	J		
	5517 4645	1	U		
11	6500 284	1			NUT, Hex, M6x1.00
12	5517 6555	1			DRAIN, Heater and A/C
13	55176 566AD	1			WEATHERSTRIP, Windshield to Cowl
14					PANEL, Cowl Side
	5517 6092	1	J		Upper,Right
		1	U		Upper,Right
	5517 6093	1	J		Upper,Left
		1	U		Upper,Left
15					BRACKET, Module
	5517 6011	1	J		
	5517 6099	1	U		
16					REINFORCEMENT, Battery Tray
	5517 4782	1			Right
	5517 4783	1			Left
17	6100 583	6			BOLT AND CONED WASHER, Hex Head, M8x25x20
18					PANEL, Cowl Top, Serviced in Panel Body Side, (NOT SERVICED)

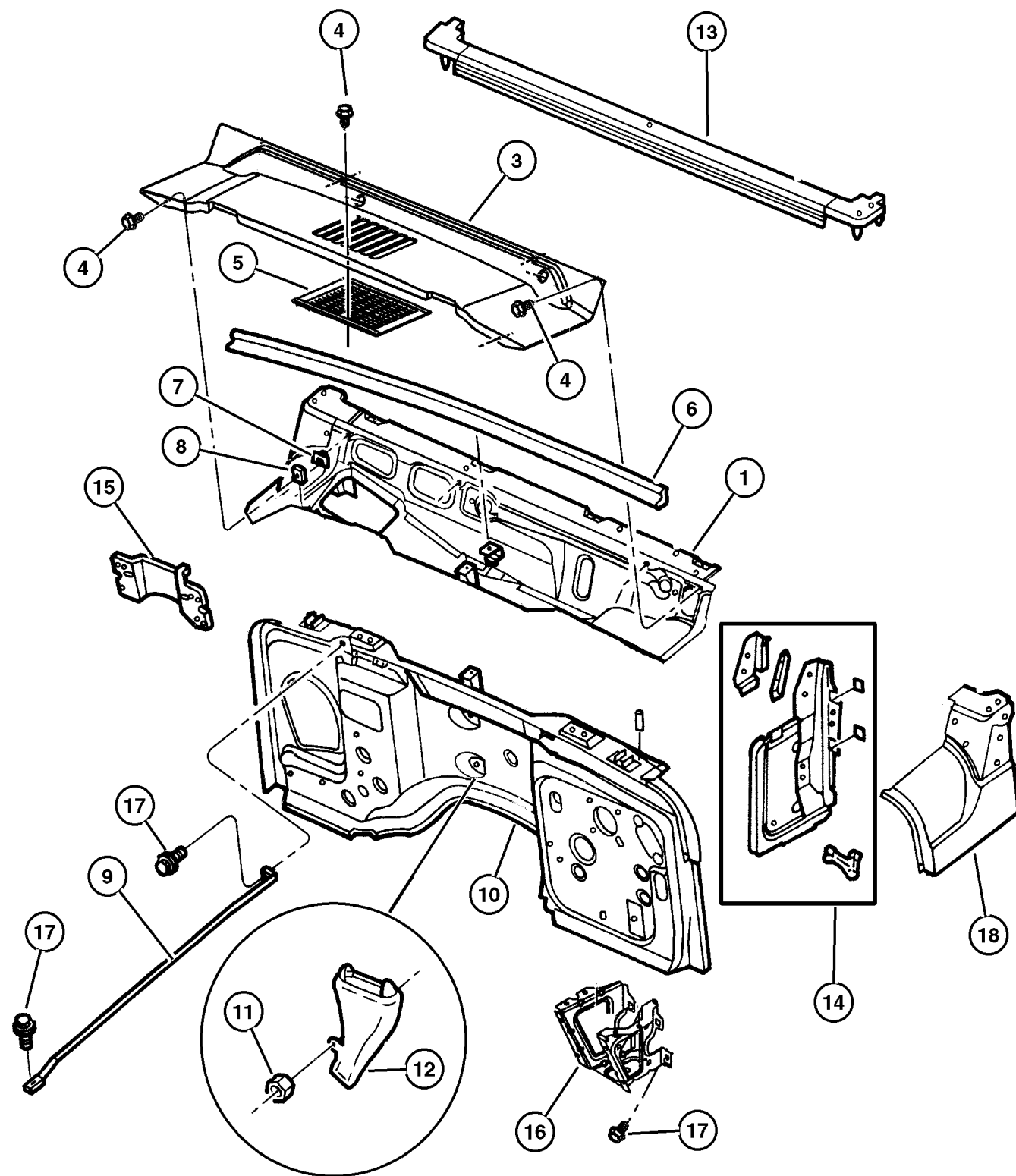
JEEP WRANGLER (TJ)

SERIES	LINE	BODY	ENGINE	TRANSMISSION
L=Low Line	J = Wrangler 4WD U = Wrangler 4WD (RHD)	77 = 93.4 WB	EPE, EP0 = 2.5L Power Tech ERH, ER0 = 4.0L Power Tech	DGG, DGD = 32RH 3 Spd. Auto. DDQ = 5 Spd. Manual DG0 = All Auto. Trans. DBB =All Manual Trans.

AR = Use as required - = Non illustrated part # = New this model year

June 7, 2002

Panels, Cowl And Dash Wrangler 1999 TJ
Figure STJ-610



ITEM	PART NUMBER	QTY	LINE	BODY	DESCRIPTION
1					PANEL, Cowl
	55174 624AB	1	J		
	55174 625AB	1	U		
-2					SEAL, Plenum Drain
	55037 488AB	1	U		
	55037 489AB	1	J		
3					GRILLE, Cowl Panel
	55174 636AB	1	J		
	55174 637AC	1	U		
4					SCREW, .164-15x1.21, (NOT SERVICED)
5	55037 422AA	1			SCREEN, Cowl
6	5517 4640	1			WEATHERSTRIP, Hood to Cowl
7					NUT, Snap In
	6505 366AA	4	J		
		4	U		
8					NUT, Spring, .16-18
	0152 490	3	J		
		3	U		
9	5517 6588	2			BRACKET, Dash Panel to Plenum
10					PANEL, Dash
	#55174 644AB	1	J		
	#55174 645AB	1	U		
11	6500 284	1			NUT, Hex, M6x1.00
12	5517 6555	1			DRAIN, Heater and A/C
13	55176 566AE	1			WEATHERSTRIP, Windshield to Cowl
14					PANEL, Cowl Side
	5517 6092	1	J		Upper,Right
		1	U		Upper,Right
	5517 6093	1	J		Upper,Left
		1	U		Upper,Left
15					BRACKET, Module
	5517 6011	1	J		
	5517 6099	1	U		
16					REINFORCEMENT, Battery Tray
	5517 4782	1			Right
	5517 4783	1			Left
17	6100 583	6			BOLT AND CONED WASHER, Hex Head, M8x25x20
18					PANEL, Cowl Top, Serviced in Panel Body Side, (NOT SERVICED)

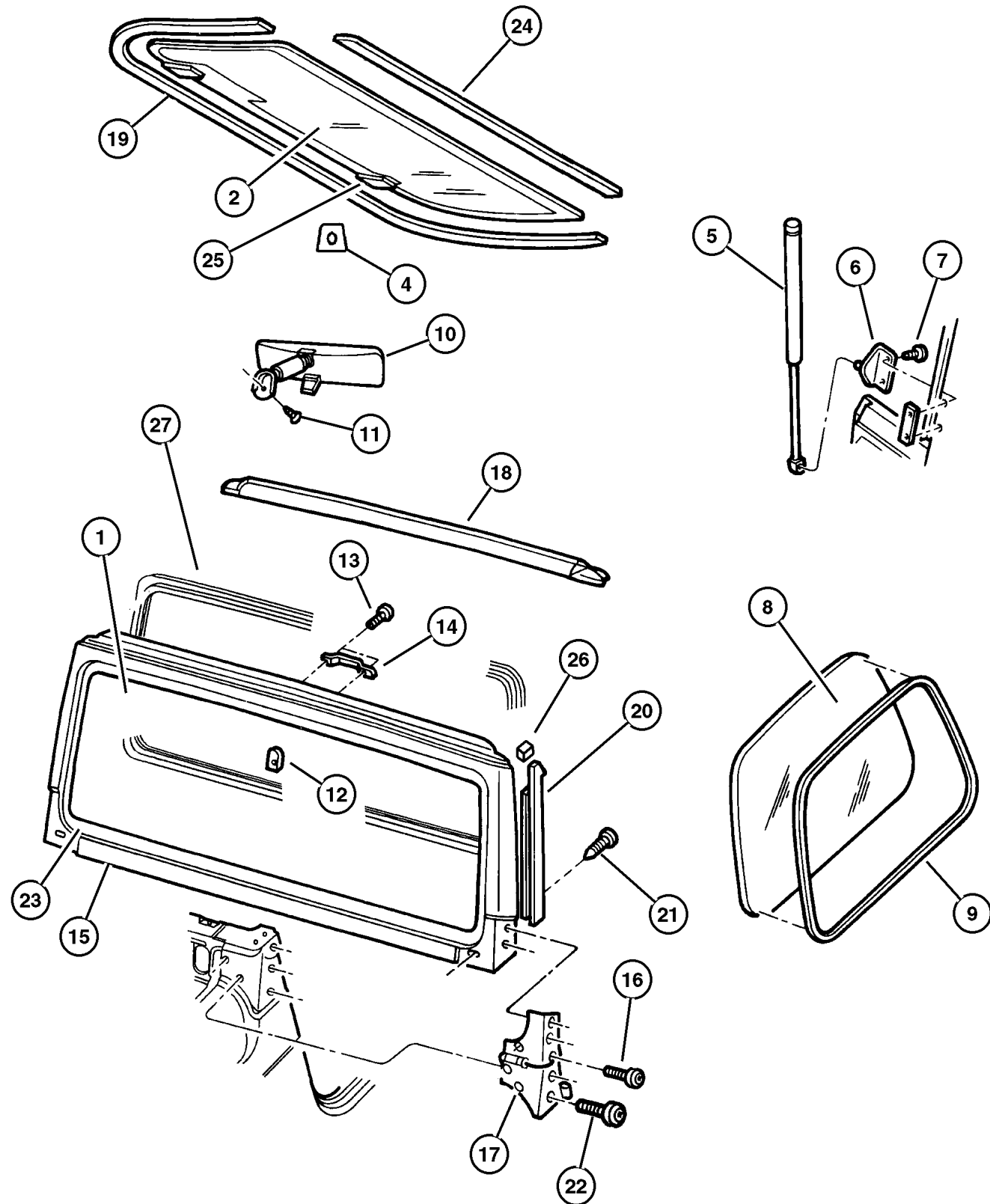
JEEP WRANGLER (TJ)

SERIES	LINE	BODY	ENGINE	TRANSMISSION
L=Low Line	J = Wrangler 4WD U = Wrangler 4WD (RHD)	77 = 93.4 WB	EPE, EP0 = 2.5L Power Tech ERH, ER0 = 4.0L Power Tech	DGG, DGD = 32RH 3 Spd. Auto. DDQ = 5 Spd. Manual DG0 = All Auto. Trans. DBB =All Manual Trans.

AR = Use as required - = Non illustrated part # = New this model year

June 7, 2002

Glass, Windshield, Backlite, Quarter Windshield Frame, Hinges Wrangler 1997 TJ
Figure STJ-710



ITEM	PART NUMBER	QTY	LINE	BODY	DESCRIPTION
1					WINDSHIELD
	5513 5127	1	J	77	
		1	U	77	
2					BACKLITE
	4883 306	1			Tint, Heated
	4883 306AB	1			Privacy, Heated
	4883 307	1			Tinted
	4883 307AB	1			Privacy
-3					BRACKET, Ballstud
	4883 302	1			Right
	4883 303	1			Left
4					BRACKET, Ballstud
	4883 496AA	1			Right
	4883 497AA	1			Left
5					PROP, Liftgate
	5507 6310	2	J	77	
		2	U	77	
6					BALL STUD, Body Side
	5507 6311	2	J	77	
		2	U	77	
7					SCREW, M6x1.00x20.00, (NOT SERVICED)
8					GLASS, Rear Quarter, Vented
	5517 6278	1	J	77	Tinted, Right
		1	U	77	Tinted, Right
	5517 6279	1	J	77	Tinted, Left
		1	U	77	Tinted, Left
	5517 6306	1	J	77	Solar, Right
		1	U	77	Solar, Right
	5517 6307	1	J	77	Solar, Left
		1	U	77	Solar, Left
9	5517 6577	2			MOLDING, Quarter Window
10					MIRROR, Inside Rear View
	5500 9784	1	J	77	Day/Night,With Screw
		1	U	77	Day/Night,With Screw
11					SCREW, Pan Head, .164-32x.460
	J400 5766	1	J	77	.164-32x.460
		1	U	77	.164-32x.460
12	J365 7374	1			SUPPORT, Rear View Mirror
13					SCREW, .190-24x.500, (NOT SERVICED)
14	5501 3666	1			FOOTMAN LOOP, Hold Down
15					PANEL, Windshield Frame
	5517 4607	1	J	77	
		1	U	77	
16					SCREW AND WASHER, Truss Head, .312-18x1.12

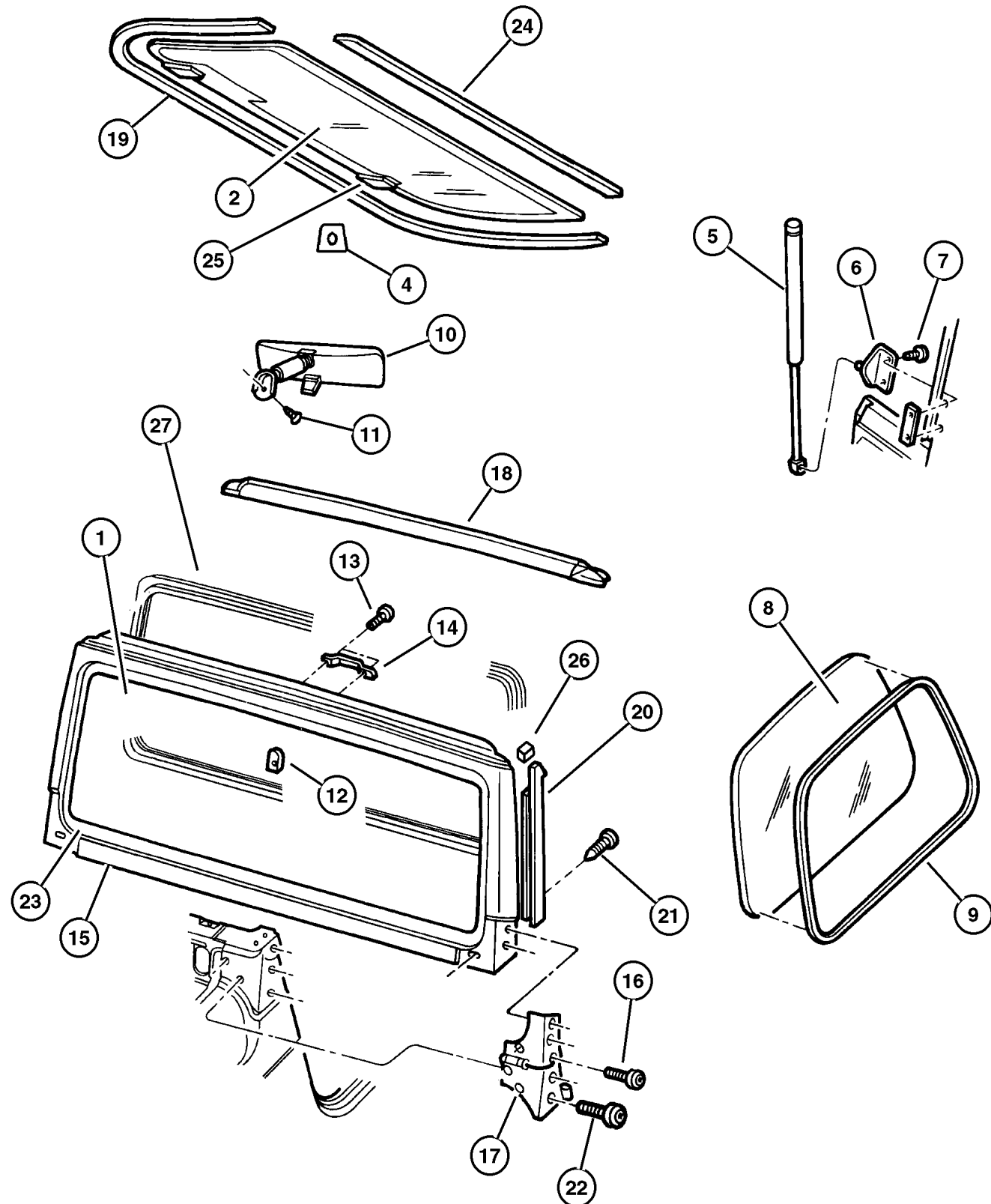
JEEP WRANGLER (TJ)

SERIES	LINE	BODY	ENGINE	TRANSMISSION
L=Low Line	J = Wrangler 4WD U = Wrangler 4WD (RHD)	77 = 93.4 WB	EPE, EP0 = 2.5L Power Tech ERH, ER0 = 4.0L Power Tech	DGG, DGD = 32RH 3 Spd. Auto. DDQ = 5 Spd. Manual DG0 = All Auto. Trans. DBB =All Manual Trans.

AR = Use as required - = Non illustrated part # = New this model year

June 7, 2002

Glass, Windshield, Backlite, Quarter Windshield Frame, Hinges Wrangler 1997 TJ
Figure STJ-710



ITEM	PART NUMBER	QTY	LINE	BODY	DESCRIPTION
	6035 639	2	J	77	
		2	U	77	
17					HINGE, Door
	5507 5702	1	J	77	Right
		1	U	77	Right
	5507 5703	1	J	77	Left
		1	U	77	Left
18	55176 512AD	1			SEAL, Header Opening
19	55175 041AC	1			WEATHERSEAL, LIFTGATE
20					WEATHERSTRIP, Front Door
	55176 618AB	1			Right
	55176 619AB	1			Left
21	6035 369	6			SCREW, Piercing, .164-15x1.25, .164-15x1.00
22					SCREW
	6035 757	8	J	77	Windshield Hinge to Body
		8	U	77	Windshield Hinge to Body
		6	J	77	Windshield Hinge to Windshield
		6	U	77	Windshield Hinge to Windshield
23	5513 5148	1			MOLDING, Windshield Reveal
24	5517 5042	1			WEATHERSTRIP, Backlite
25					HINGE, Liftglass
	5507 4548	1			Right
	5507 4549	1			Left
26					SEAL, Header Top And Side Rail
	4886 350AA	1			Right
	4886 351AA	1			Left
27	55176 430AC	1			MOLDING, Windshield Garnish, Inner
-28	5500 9433	1			GASKET, Hinge To Glass
-29	5500 9434	1			BUSHING, Hinge to Glass
-30	5500 9788	1			SEAL, Hinge To Glass
-31	J400 7384	1			NUT AND WASHER, Hex
-32	5501 9378	1			CAP, Hinge Cover
-33	5517 6464	2			GROMMET, Wiper Motor And Bracket
-34	5517 6421	2			TAPE, Anti Chip

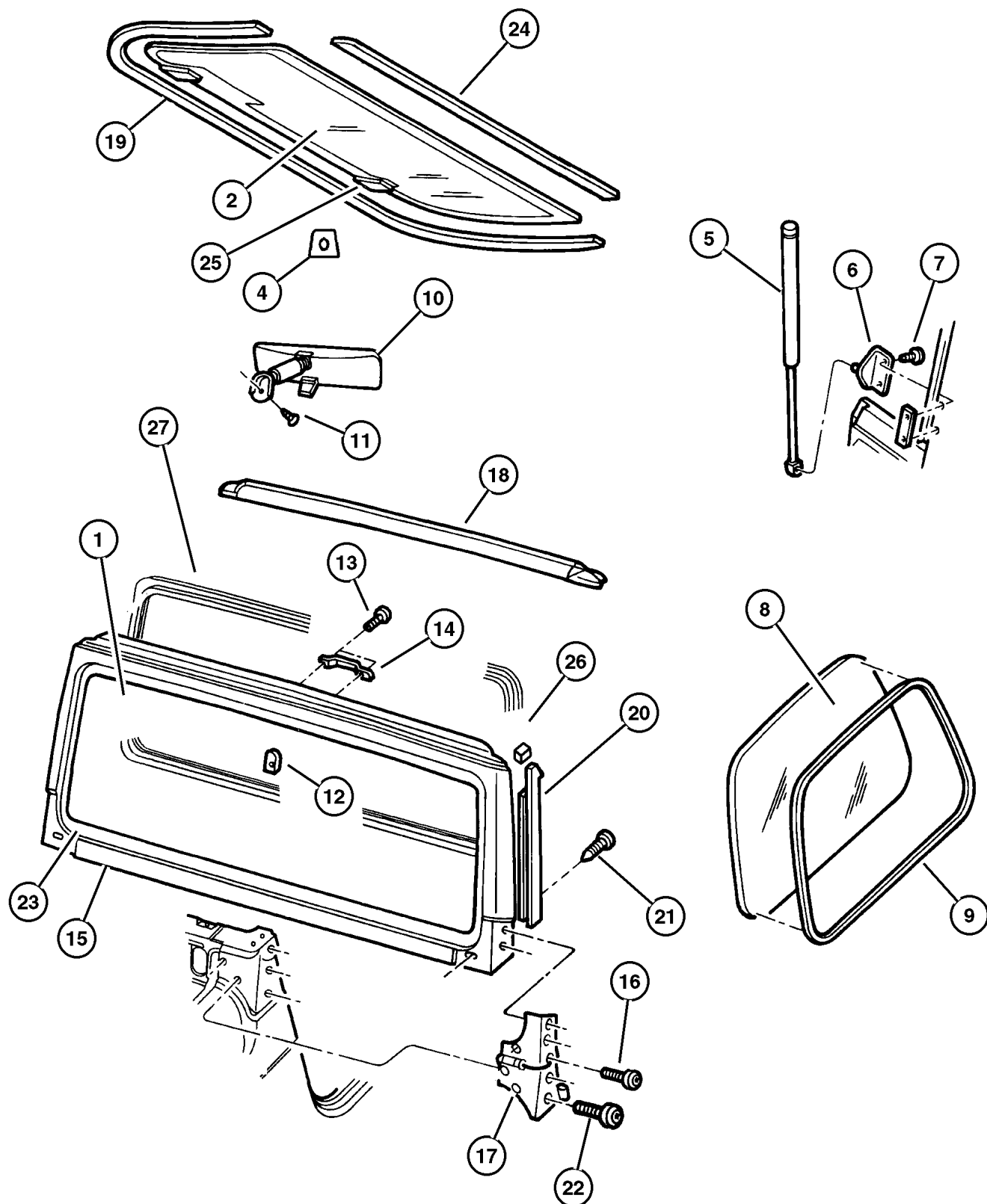
JEEP WRANGLER (TJ)

SERIES	LINE	BODY	ENGINE	TRANSMISSION
L=Low Line	J = Wrangler 4WD U = Wrangler 4WD (RHD)	77 = 93.4 WB	EPE, EP0 = 2.5L Power Tech ERH, ER0 = 4.0L Power Tech	DGG, DGD = 32RH 3 Spd. Auto. DDQ = 5 Spd. Manual DGO = All Auto. Trans. DBB =All Manual Trans.

AR = Use as required - = Non illustrated part # = New this model year

June 7, 2002

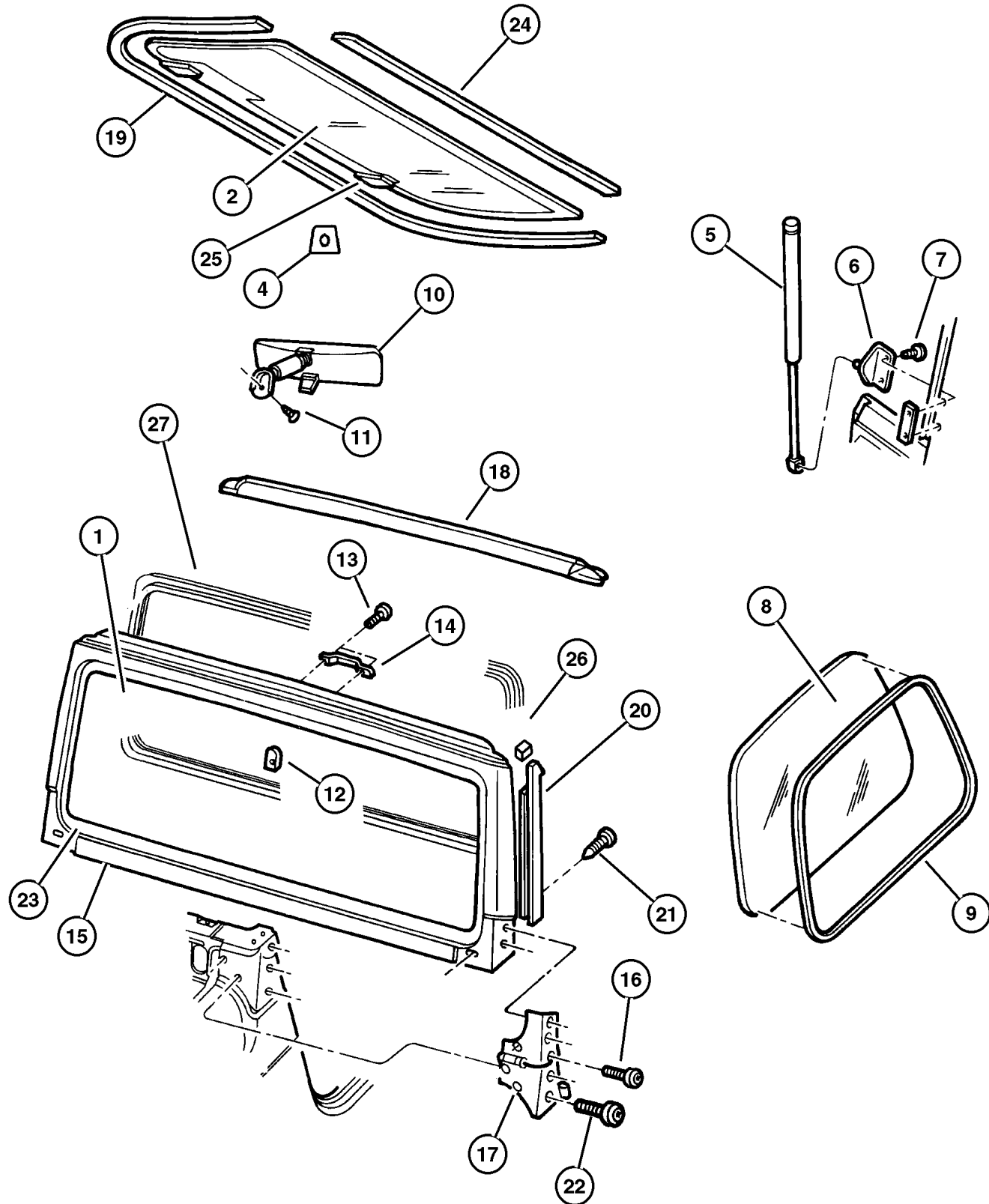
Glass, Windshield, Backlite, Quarter Windshield Frame, Hinges 1998 TJ
Figure STJ-710



ITEM	PART NUMBER	QTY	LINE	BODY	DESCRIPTION
1	5513 5127	1			WINDSHIELD
2	4883 306	1			BACKLITE Tint, Heated
	4883 306AB	1			Privacy, Heated
	4883 307	1			Tinted
	4883 307AB	1			Privacy
-3	4883 302	1			BRACKET, Ballstud Right
	4883 303	1			Left
4	4883 496AA	1			BRACKET, Ballstud Right
	4883 497AA	1			Left
5	55076 310AB	2			PROP, Liftgate
6	5507 6311	2			BALL STUD, Body Side
7					SCREW, M6x1.00x20.00, (NOT SERVICED)
8	5517 6278	1			GLASS, Rear Quarter, Vented Tinted, Right
	5517 6279	1			Tinted, Left
	5517 6306	1			Privacy, Right
	5517 6307	1			Privacy, Left
9	5517 6577	2			MOLDING, Quarter Window
10	5500 9784	1			MIRROR, Inside Rear View
11	J400 5766	1			SCREW, Pan Head, .164-32x.460
12	J365 7374	1			SUPPORT, Rear View Mirror
13					SCREW, .190-24x.500, (NOT SERVICED)
14	5501 3666	1			FOOTMAN LOOP, Hold Down
15	55174 607AB	1			PANEL, Windshield Frame
16	6035 898	2			SCREW AND WASHER, Truss Head, .312-18x1.12
17	5507 5702	1			HINGE, Door Right
	5507 5703	1			Left
18	55176 512AD	1			SEAL, Header Opening
19	55175 041AC	1			WEATHERSEAL, LIFTGATE
20	55176 618AB	1			WEATHERSTRIP, Front Door Right
	55176 619AB	1			Left
21	6035 369	6			SCREW, Piercing, .164-15x1.25, .164-15x1.00
22	6035 757	8			SCREW
23	55176 567AB	1			MOLDING, Windshield Reveal
24	5517 5042	1			WEATHERSTRIP, Backlite
25	5013 722AA	1			HINGE, Liftglass Right
	5013 723AA	1			Left
26					SEAL, Header Top And Side Rail, (NOT REQUIRED)

JEEP WRANGLER (TJ)
 SERIES LINE BODY ENGINE TRANSMISSION
 L=Low Line J = Wrangler 4WD 77 = 93.4 WB EPE, EP0 = 2.5L Power Tech DGG, DGD = 32RH 3 Spd. Auto.
 U = Wrangler 4WD (RHD) ERH, ER0 = 4.0L Power Tech DDQ = 5 Spd. Manual
 DG0 = All Auto. Trans.
 DBB =All Manual Trans.

**Glass, Windshield, Backlite, Quarter Windshield Frame, Hinges 1998 TJ
Figure STJ-710**



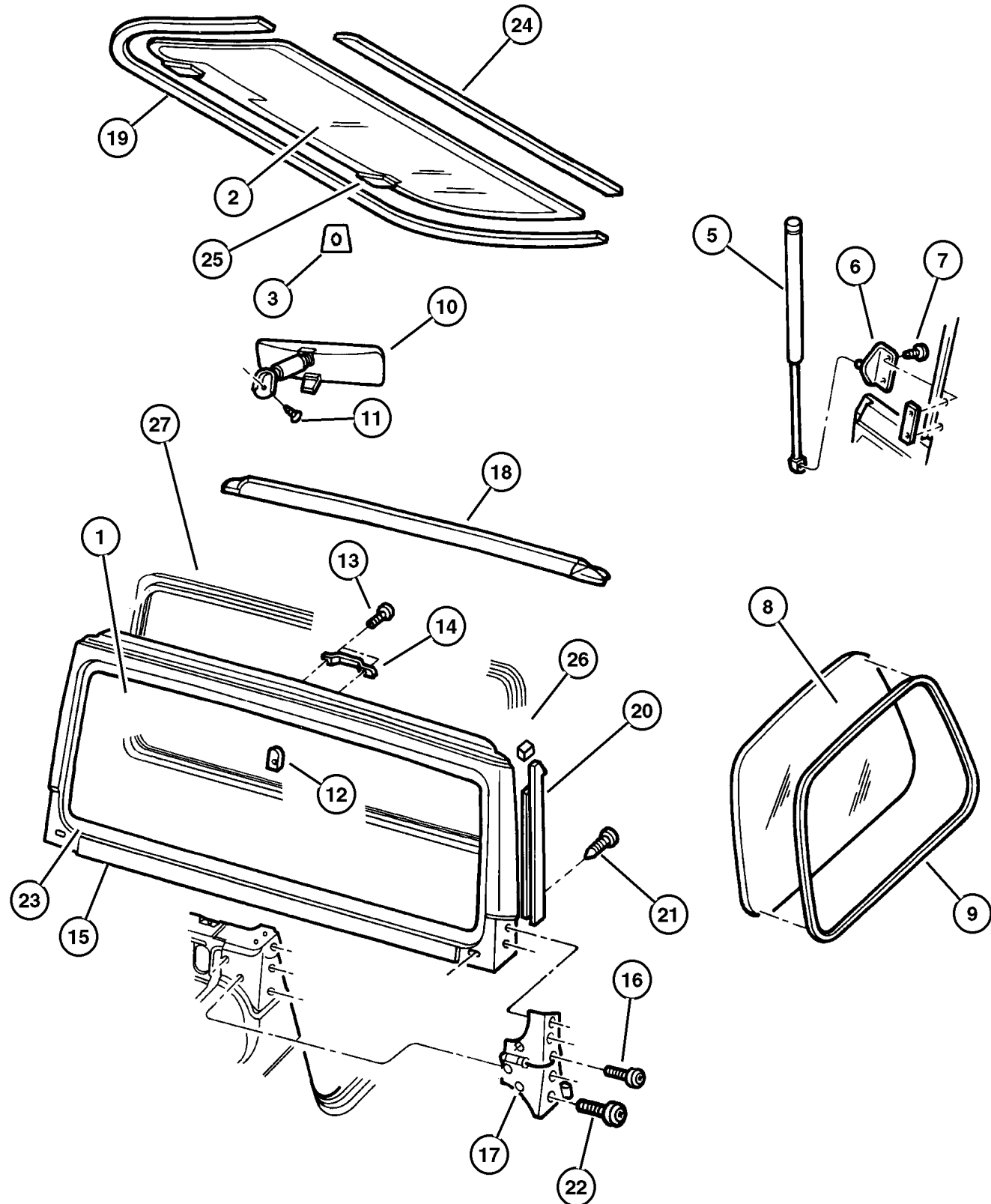
ITEM	PART NUMBER	QTY	LINE	BODY	DESCRIPTION
27	55176 430AC	1			MOLDING, Windshield Garnish, Inner
-28	5500 9433	1			GASKET, Hinge To Glass
-29	5500 9434	1			BUSHING, Hinge to Glass
-30	5500 9788	1			SEAL, Hinge To Glass
-31	J400 7384	1			NUT AND WASHER, Hex
-32	5501 9378	1			CAP, Hinge Cover
-33	5517 6464	1			GROMMET, Wiper Motor And Bracket
-34	5517 6421	2			TAPE, Anti Chip

JEEP WRANGLER (TJ)				
SERIES	LINE	BODY	ENGINE	TRANSMISSION
L=Low Line	J = Wrangler 4WD U = Wrangler 4WD (RHD)	77 = 93.4 WB	EPE, EP0 = 2.5L Power Tech ERH, ER0 = 4.0L Power Tech	DGG, DGD = 32RH 3 Spd. Auto. DDQ = 5 Spd. Manual DG0 = All Auto. Trans. DBB =All Manual Trans.

AR = Use as required - = Non illustrated part # = New this model year

June 7, 2002

**Glass, Windshield, Backlite, Quarter Windshield Frame, Hinges 1999 TJ
Figure STJ-710**



ITEM	PART NUMBER	QTY	LINE	BODY	DESCRIPTION
1	5513 5127	1			WINDSHIELD
2	4883 306	1			BACKLITE Tint, Heated
	4883 306AB	1			Privacy, Heated
	4883 307	1			Tinted
3	4883 496AA	1			BRACKET, Ballstud Right
	4883 497AA	1			Left
-4					BRACKET, Ballstud, (NOT REQUIRED)
5	55076 310AB	2			PROP, Liftgate
6	5507 6311	2			BALL STUD, Body Side
7					SCREW, M6x1.00x20.00, (NOT SERVICED)
8					GLASS, Rear Quarter, Vented
	5517 6278	1			Tinted, Right
	5517 6279	1			Tinted, Left
	5517 6306	1			Privacy, Right
	5517 6307	1			Privacy, Left
9	5517 6577	2			MOLDING, Quarter Window
10	5500 9784	1			MIRROR, Inside Rear View
11	J400 5766	1			SCREW, Pan Head, .164-32x.460
12	J365 7374	1			SUPPORT, Rear View Mirror
13					SCREW, .190-24x.500, (NOT SERVICED)
14	5501 3666	1			FOOTMAN LOOP, Hold Down
15	55174 607AB	1			PANEL, Windshield Frame
16	6035 898	2			SCREW AND WASHER, Truss Head, .312-18x1.12
17					HINGE, Door
	55075 702AC	1			Right
	55075 703AC	1			Left
18	55176 512AE	1			SEAL, Header Opening
19	55175 041AD	1			WEATHERSEAL, LIFTGATE
20					WEATHERSTRIP, Front Door
	55176 618AB	1			Right
	55176 619AB	1			Left
21	6035 369	6			SCREW, Piercing, .164-15x1.25, .164-15x1.00
22	6035 757	8			SCREW
23	55176 567AB	1			MOLDING, Windshield Reveal
24	5517 5042	1			WEATHERSTRIP, Backlite
25					HINGE, Liftglass
	5013 722AA	1			Right
	5013 723AA	1			Left
26					SEAL, Header Top And Side Rail, (NOT REQUIRED)
27	55176 430AC	1			MOLDING, Windshield Garnish
-28	5500 9433	1			GASKET, Hinge To Glass
-29	5500 9434	1			BUSHING, Hinge to Glass

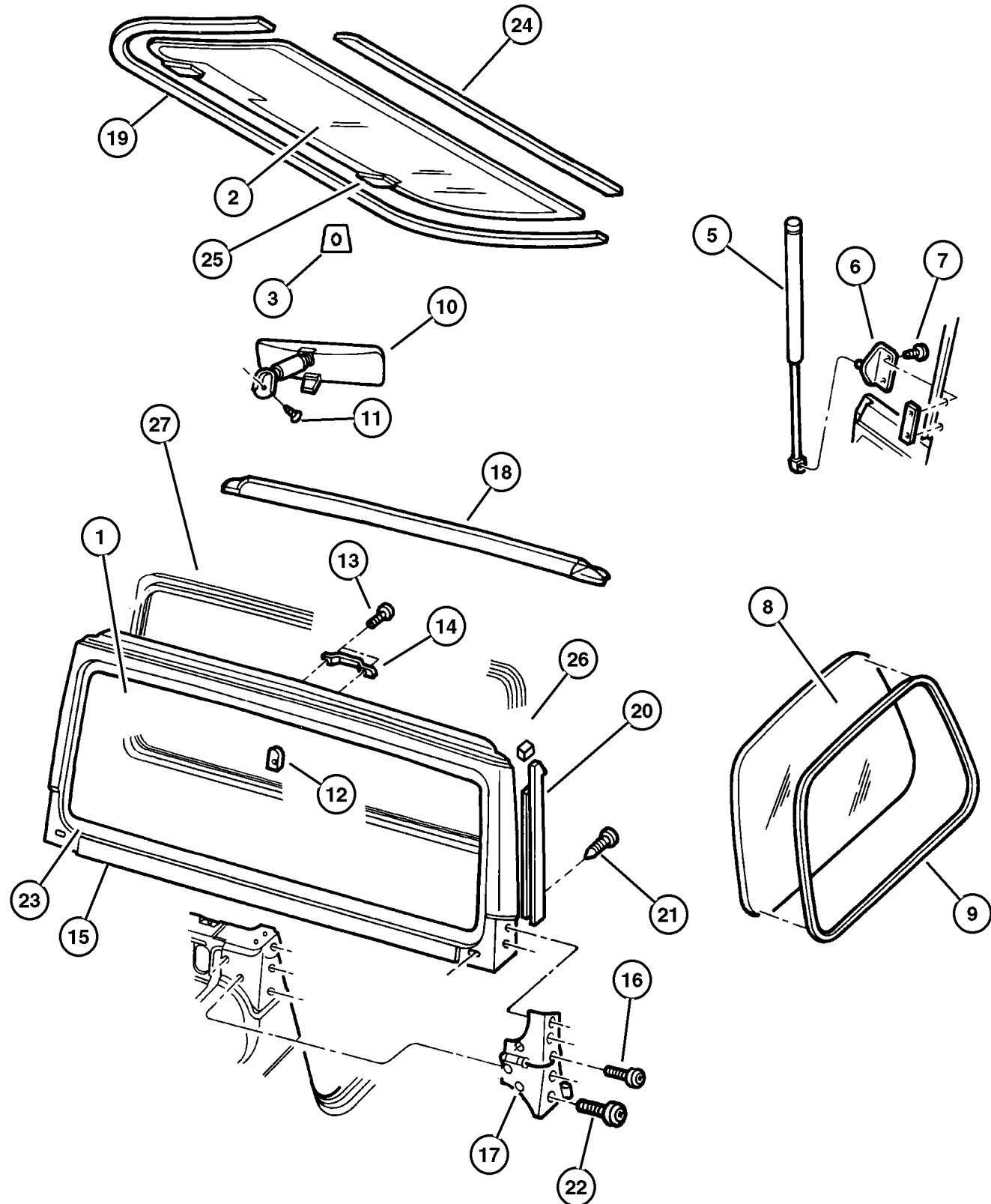
JEEP WRANGLER (TJ)

SERIES	LINE	BODY	ENGINE	TRANSMISSION
L=Low Line	J = Wrangler 4WD U = Wrangler 4WD (RHD)	77 = 93.4 WB	EPE, EP0 = 2.5L Power Tech ERH, ER0 = 4.0L Power Tech	DGG, DGD = 32RH 3 Spd. Auto. DDQ = 5 Spd. Manual DGO = All Auto. Trans. DBB =All Manual Trans.

AR = Use as required - = Non illustrated part # = New this model year

June 7, 2002

**Glass, Windshield, Backlite, Quarter Windshield Frame, Hinges 1999 TJ
Figure STJ-710**



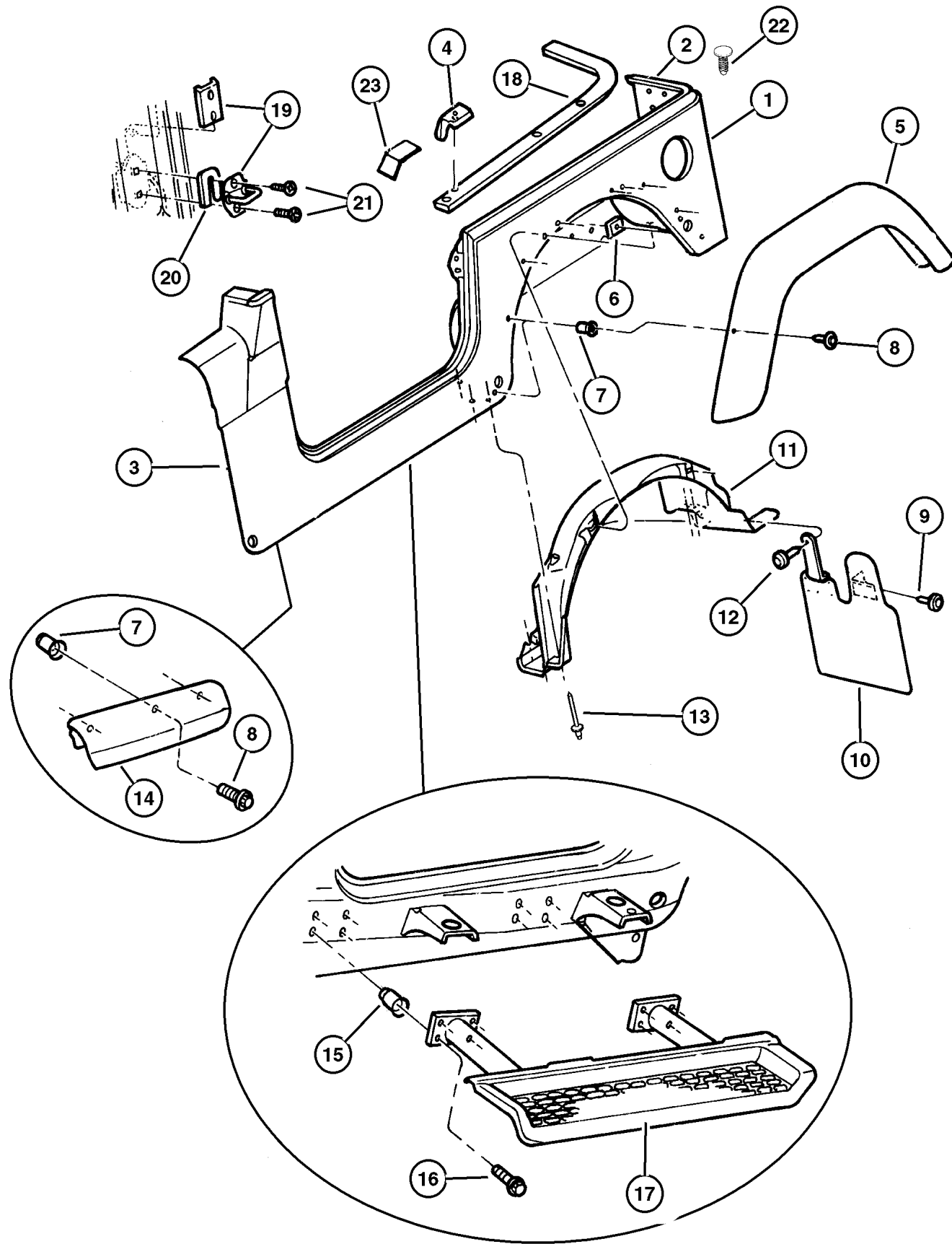
ITEM	PART NUMBER	QTY	LINE	BODY	DESCRIPTION
-30	5500 9788	1			SEAL, Hinge To Glass
-31	J400 7384	1			NUT AND WASHER, Hex
-32	5501 9378	1			CAP, Hinge Cover
-33	5517 6464	1			GROMMET, Wiper Motor And Bracket
-34	5517 6421	2			TAPE, Anti Chip

JEEP WRANGLER (TJ)				
SERIES	LINE	BODY	ENGINE	TRANSMISSION
L=Low Line	J = Wrangler 4WD U = Wrangler 4WD (RHD)	77 = 93.4 WB	EPE, EP0 = 2.5L Power Tech ERH, ER0 = 4.0L Power Tech	DGG, DGD = 32RH 3 Spd. Auto. DDQ = 5 Spd. Manual DG0 = All Auto. Trans. DBB =All Manual Trans.

AR = Use as required - = Non illustrated part # = New this model year

June 7, 2002

Panels, Body Side Wrangler 1997 TJ
Figure STJ-810



ITEM	PART NUMBER	QTY	LINE	BODY	DESCRIPTION
1					PANEL, Body Side
	4874 196	1	J	77	Right
		1	U	77	Right
	4874 197	1	J	77	Left
		1	U	77	Left
2					PANEL, Rear Corner
	5517 5664	1	J	77	Right
		1	U	77	Right
	5517 5665	1	J	77	Left
		1	U	77	Left
3					REINFORCEMENT, Side Panel
	5517 5024	1	J	77	
		1	U	77	
4					SEAL, Mucket
	55176 524AB	1			Right
	55176 525AB	1			Left
5					EXTENSION, Wheel House
	5517 5726	1		77	Black, Textured, Right
	5517 5727	1		77	Black, Textured, Left
	5DS7 4DX9	1		77	Black, Flat, SAHARA, Right
	5DS7 4TJN	1		77	Moss Green, SAHARA, Right
	5DS7 4TW1	1		77	White, SAHARA, Right
	5DS7 4TX8	1		77	Black, High Gloss, SAHARA, Right
	5DS7 5DX9	1		77	Black, Flat, SAHARA, Left
	5DS7 5TJN	1		77	Moss Green, SAHARA, Left
	5DS7 5TW1	1		77	White, SAHARA, Left
	5DS7 5TX8	1		77	Black, High Gloss, SAHARA, Left
6					NUT, Plastic
	J400 4868	10			Rear
		14			Front
7	6503 812	5			NUT, Rivet Round, M5x0.80x11.09
8					SCREW AND WASHER, M5X.80X20.00, (NOT SERVICED)
9					SCREW, .190-16x.750, (NOT SERVICED)
10					SHIELD, Splash
	5515 5416	1			2 Piece Design, Right
	5515 5417	1			2 Piece Design, Left
	55155 696AA	1			1 Piece Design, After 1-16-97, Right
	55155 697AA	1			1 Piece Design, After 1-16-97, Left
11					SHIELD, Splash, Liner, Rear Wheelhouse
	5517 4676	1	J	77	Right
		1	U	77	Right
	5517 4677	1	J	77	Left
		1	U	77	Left
12					RIVET, .250x.492, (NOT SERVICED)

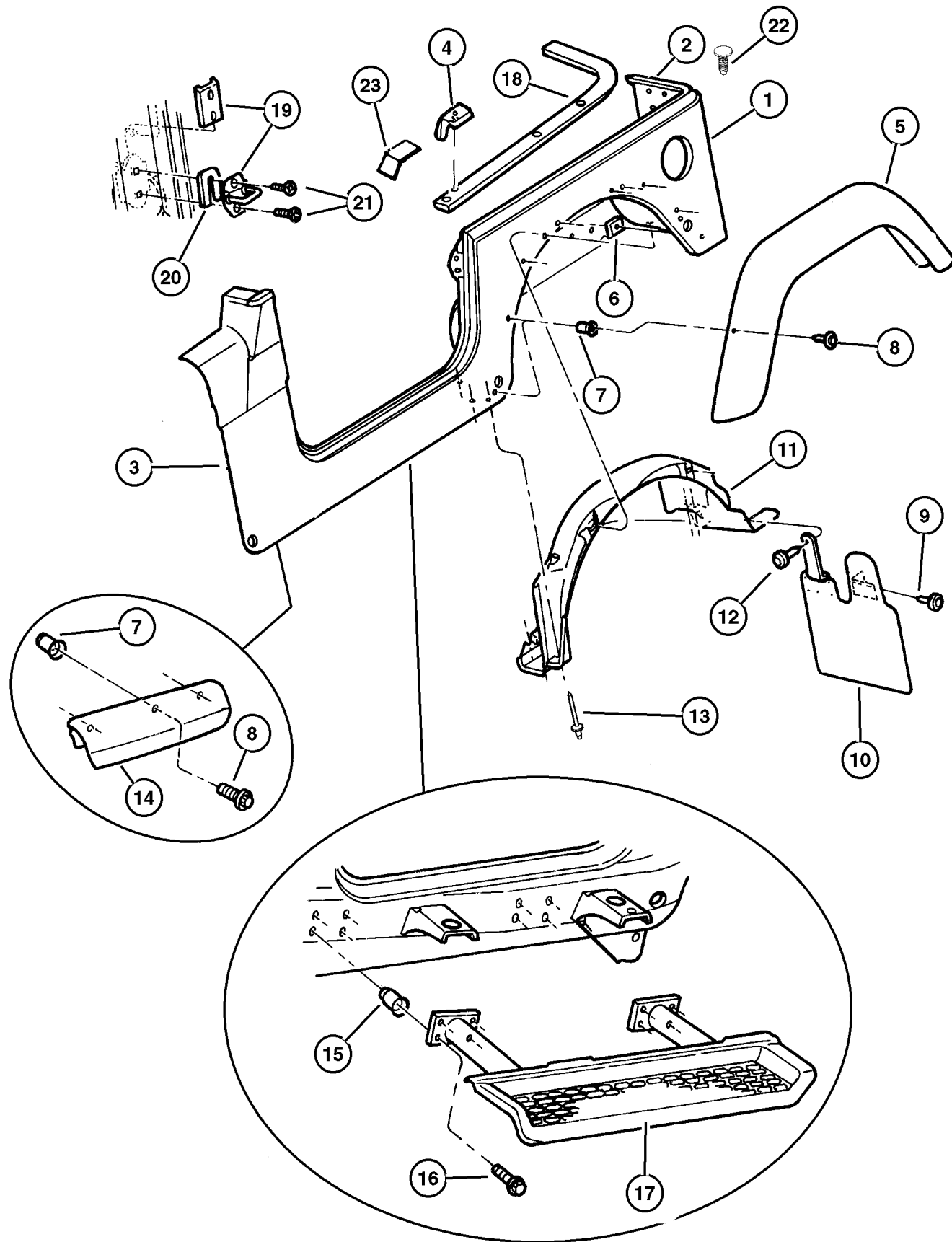
JEEP WRANGLER (TJ)

SERIES	LINE	BODY	ENGINE	TRANSMISSION
L=Low Line	J = Wrangler 4WD U = Wrangler 4WD (RHD)	77 = 93.4 WB	EPE, EP0 = 2.5L Power Tech ERH, ER0 = 4.0L Power Tech	DGG, DGD = 32RH 3 Spd. Auto. DDQ = 5 Spd. Manual DG0 = All Auto. Trans. DBB =All Manual Trans.

AR = Use as required - = Non illustrated part # = New this model year

June 7, 2002

Panels, Body Side Wrangler 1997 TJ
Figure STJ-810



ITEM	PART NUMBER	QTY	LINE	BODY	DESCRIPTION
13	3420 2672	14			RIVET, .197 Grip-.187-.375, Slash Shield to Rear
14					Wheelhouse, M6.2x22.80
					EXTENSION, Fender
	5525 4928	1	J	77	Black, Flat, SPORT, Right
		1	U	77	Black, Flat, SPORT, Right
	5525 4929	1	J	77	Black, Flat, SPORT, Left
		1	U	77	Black, Flat, SPORT, Left
	5DV1 2DX9	1			Black, Flat, SAHARA, Right
	5DV1 2TX8	1			Black, High Gloss, SAHARA, Right
15	5DV1 3DX9	1			Black, Flat, SAHARA, Left
	5DV1 3TX8	1			Black, High Gloss, SAHARA, Left
	6504 397	16			NUT, M8-1.25, Side Step
	6501 648	14			SCREW, Hex Flange Head, M8x1.25x25.00, Side Step
17					STEP PAD, Side Step
	5517 5158	1	J	77	Right
		1	U	77	Right
	5517 5159	1	J	77	Left
		1	U	77	Left
18					RETAINER, Belt Rail
	5517 5754	1	J	77	Right
		1	U	77	Right
	5517 5755	1	J	77	Left
		1	U	77	Left
19	4520 288	2			STRIKER, Door Latch, Door Latch
20					SPACER, Door Latch Striker
	4520 289	AR			
	5507 5483	AR			2.0/2.5 Thick
21	6503 120	4			SCREW AND WASHER, Button Head Torx, M8x1.25x39.50
22	6504 662	4			RETAINER, Push On, License Plate Holes
23	5517 6532	2			FOAM BLOCK, Upper B-Pillar

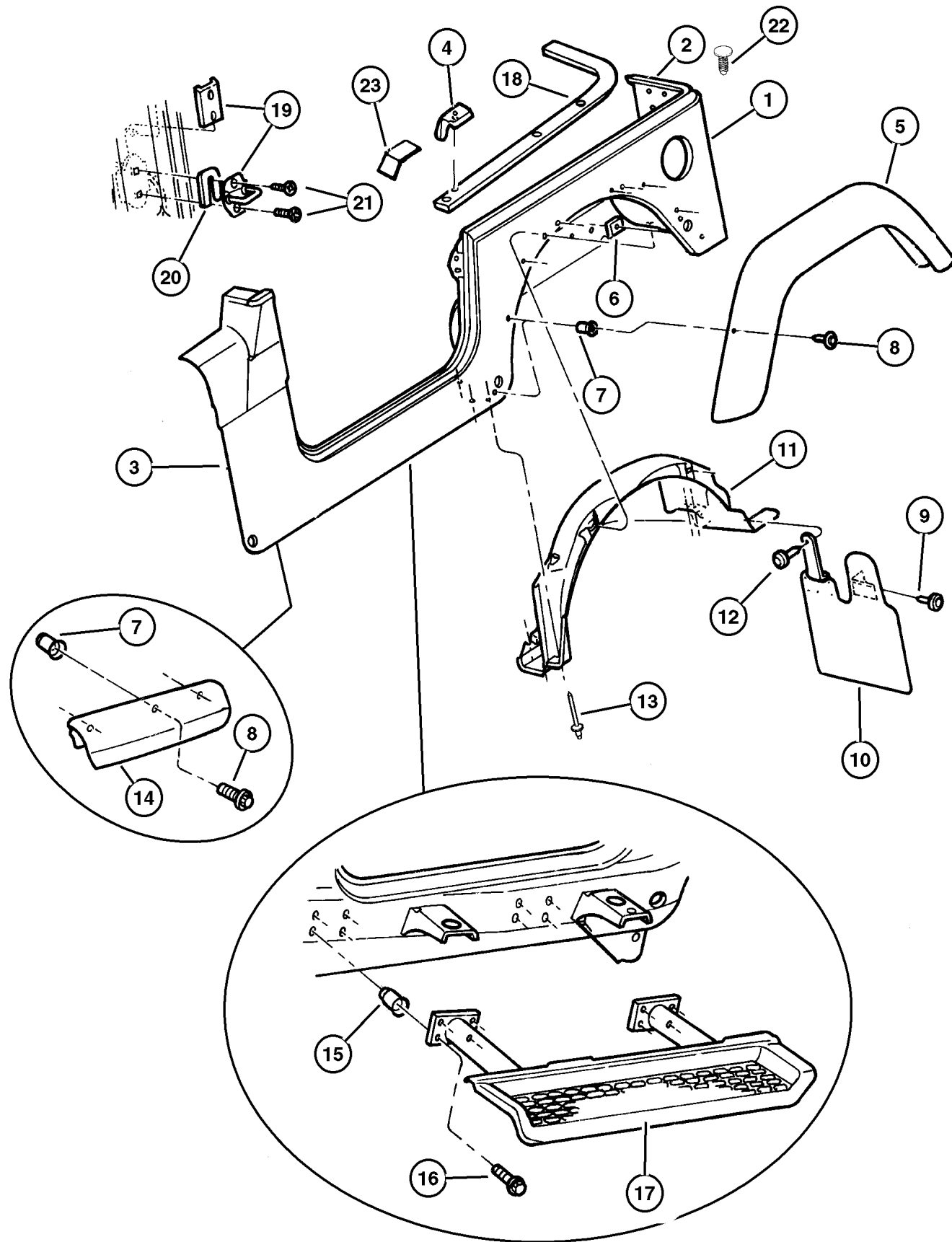
JEEP WRANGLER (TJ)

SERIES	LINE	BODY	ENGINE	TRANSMISSION
L=Low Line	J = Wrangler 4WD U = Wrangler 4WD (RHD)	77 = 93.4 WB	EPE, EP0 = 2.5L Power Tech ERH, ER0 = 4.0L Power Tech	DGG, DGD = 32RH 3 Spd. Auto. DDQ = 5 Spd. Manual DG0 = All Auto. Trans. DBB =All Manual Trans.

AR = Use as required - = Non illustrated part # = New this model year

June 7, 2002

Panels, Body Side Wrangler 1998 TJ
Figure STJ-810



ITEM	PART NUMBER	QTY	LINE	BODY	DESCRIPTION
1					PANEL, Body Side
	4874 196AB	1			Right
	4874 197AB	1			Left
2					PANEL, Rear Corner
	5517 5664	1			Right
	5517 5665	1			Left
3	5517 5024	1			REINFORCEMENT, Side Panel
4					SEAL, Mocket
	55176 524AB	1			Right
	55176 525AB	1			Left
5					EXTENSION, Wheel House
	5517 5726	1			Black, Textured, Right
	5517 5727	1			Black, Textured, Left
	5DS7 4DX9	1			Black, Flat, SAHARA, Right
	5DS7 4TJN	1			Moss Green, SAHARA, Right
	5DS7 4TW1	1			White, SAHARA, Right
	5DS7 4TX8	1			Black High Gloss, SAHARA, Right
	5DS7 5DX9	1			Black, Flat, SAHARA, Left
	5DS7 5TJN	1			Moss Green, SAHARA, Left
	5DS7 5TW1	1			White, SAHARA, Left
	5DS7 5TX8	1			Black High Gloss, SAHARA, Left
6					NUT, Plastic
	J400 4868	10			Rear
		14			Front
7	6504 601	6			NUT, Rivet Round, M5x0.80x11.09
8					SCREW AND WASHER, M5X.80X20.00, (NOT SERVICED)
9					SCREW, (.190-16x.750), (NOT SERVICED)
10					SHIELD, Splash
	55155 696AA	1			1 Piece Design, After 1-16-97, Right
	55155 697AA	1			1 Piece Design, After 1-16-97, Left
11					SHIELD, Splash, Liner, Rear Wheelhouse
	5515 5632	1			Right
	5515 5633	1			Left
12					RIVET, (.250x.492), (NOT SERVICED)
13	6030 441	10			PIN, Retainer
14					EXTENSION, Fender
	5525 4928	1			Black, Flat, SPORT, Right
	5525 4929	1			Black, Flat, SPORT, Left
	5DV1 2DX9	1			Black, Flat, SAHARA, Right
	5DV1 2TX8	1			Black, High Gloss, SAHARA, Right
	5DV1 3DX9	1			Black, Flat, SAHARA, Left
	5DV1 3TX8	1			Black, High Gloss, SAHARA, Left
15	6504 397	14			NUT, M8-1.25
16	6501 648	14			SCREW, Hex Flange Head, M8x1.25x25.00, Side Step

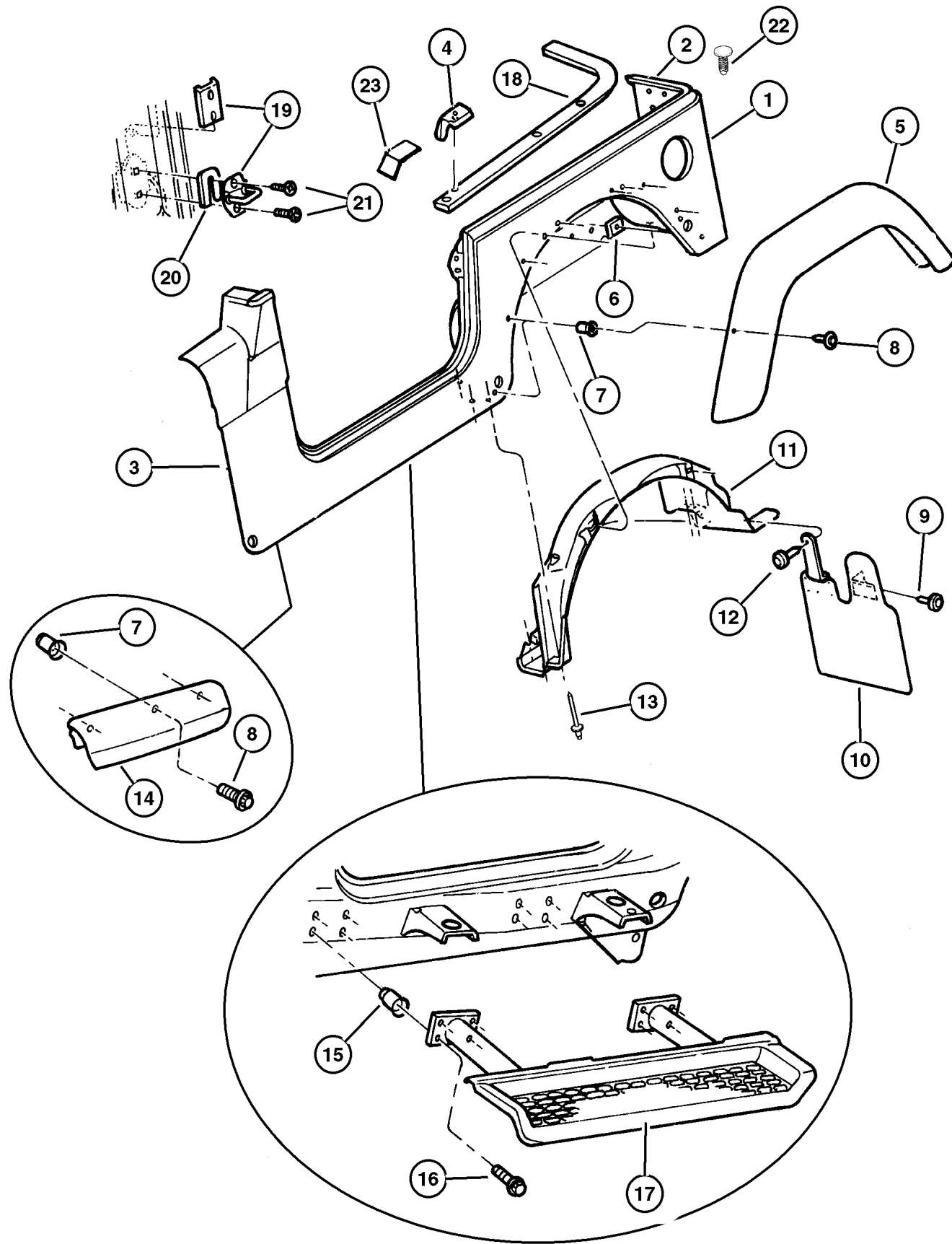
JEEP WRANGLER (TJ)

SERIES	LINE	BODY	ENGINE	TRANSMISSION
L=Low Line	J = Wrangler 4WD U = Wrangler 4WD (RHD)	77 = 93.4 WB	EPE, EP0 = 2.5L Power Tech ERH, ER0 = 4.0L Power Tech	DGG, DGD = 32RH 3 Spd. Auto. DDQ = 5 Spd. Manual DG0 = All Auto. Trans. DBB =All Manual Trans.

AR = Use as required - = Non illustrated part # = New this model year

June 7, 2002

Panels, Body Side Wrangler 1998 TJ
Figure STJ-810



ITEM	PART NUMBER	QTY	LINE	BODY	DESCRIPTION
17					STEP PAD, Side Step
	5517 5158	1			Right
	5517 5159	1			Left
18					RETAINER, Belt Rail
	5517 5754	1			Right
	5517 5755	1			Left
19	4520 288	2			STRIKER, Door Latch, Door Latch
20					SPACER, Door Latch Striker
	4520 289	AR			
	5507 5483	AR			2.0/2.5 Thick
21	6503 120	4			SCREW AND WASHER, Button Head Torx, M8x1.25x39.50
22	6504 662	4			RETAINER, Push On, License Plate Holes
23					FOAM BLOCK, Upper B-Pillar, (NOT REQUIRED)

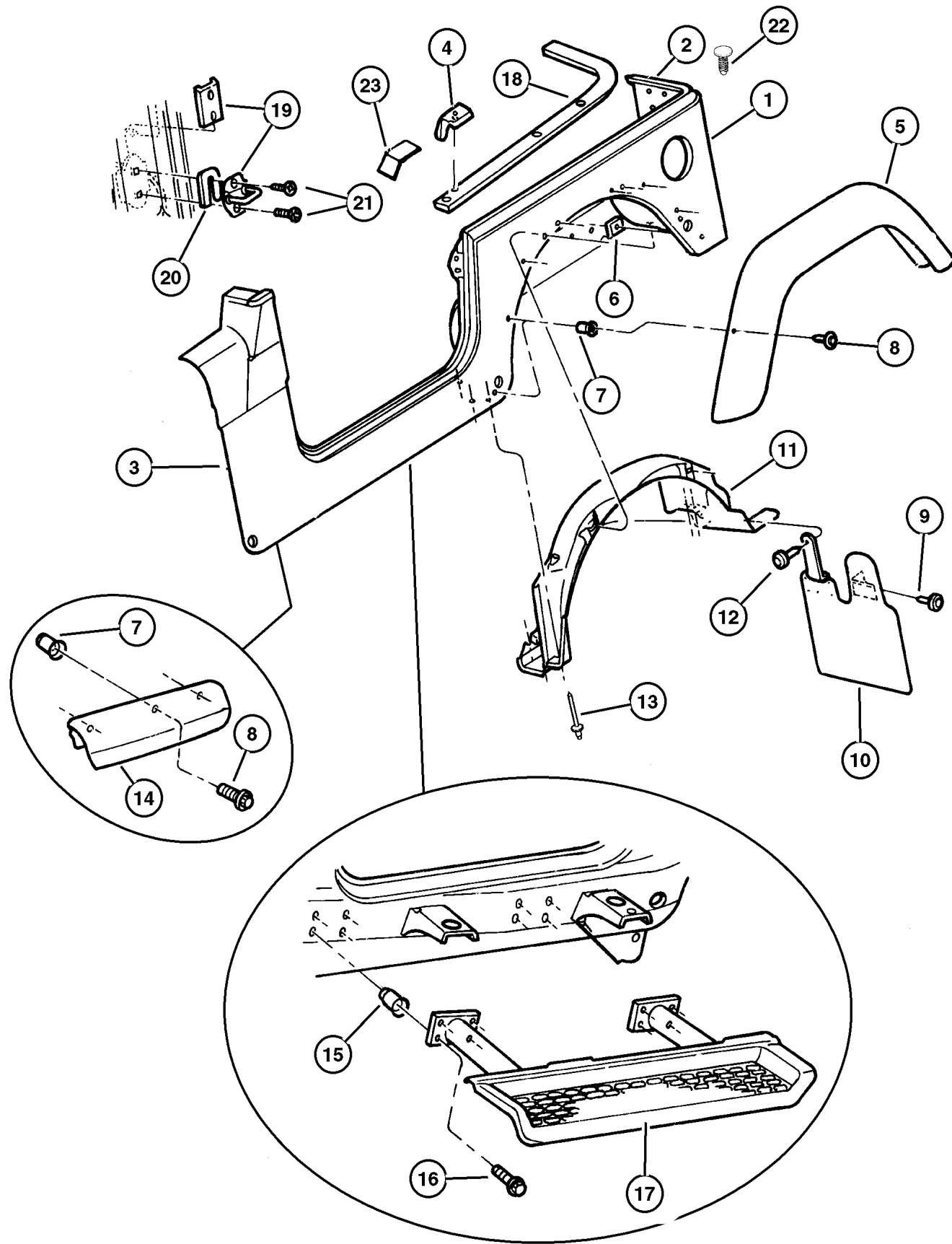
JEEP WRANGLER (TJ)

SERIES	LINE	BODY	ENGINE	TRANSMISSION
L=Low Line	J = Wrangler 4WD U = Wrangler 4WD (RHD)	77 = 93.4 WB	EPE, EP0 = 2.5L Power Tech ERH, ER0 = 4.0L Power Tech	DGG, DGD = 32RH 3 Spd. Auto. DDQ = 5 Spd. Manual DG0 = All Auto. Trans. DBB =All Manual Trans.

AR = Use as required - = Non illustrated part # = New this model year

June 7, 2002

Panels, Body Side Wrangler 1999 TJ
Figure STJ-810



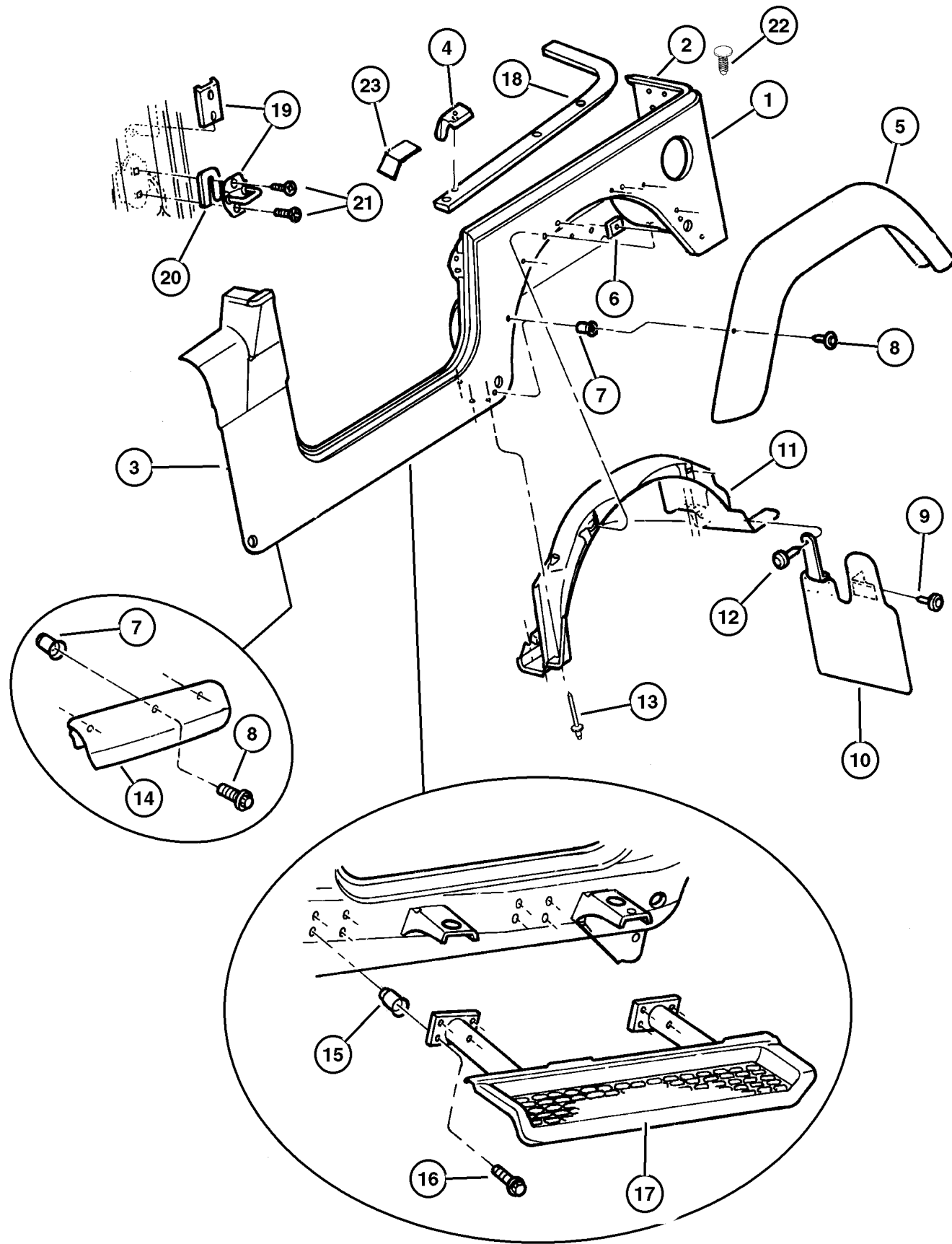
ITEM	PART NUMBER	QTY	LINE	BODY	DESCRIPTION
1					PANEL, Body Side
	4874 196AB	1			Right
	4874 197AB	1			Left
2					PANEL, Rear Corner
	5517 5664	1			Right
	5517 5665	1			Left
3	5517 5024	1			REINFORCEMENT, Side Panel
4					SEAL, Mocket
	55176 524AB	1			Right
	55176 525AB	1			Left
5					EXTENSION, Wheel House
	5517 5726	1			Black, Textured, Right
	5517 5727	1			Black, Textured, Left
	5DS7 4DX9	1			Black, Flat, SAHARA, Right
	5DS7 4SG8	1			Forest Green, SAHARA, Right
	5DS7 4TW1	1			White, SAHARA, Right
	5DS7 4TX8	1			Black High Gloss, SAHARA, Right
	5DS7 4WTD	1			Sand, SAHARA, Right
	5DS7 5DX9	1			Black, Flat, SAHARA, Left
	5DS7 5SG8	1			Forest Green, SAHARA, Left
	5DS7 5TW1	1			White, SAHARA, Left
	5DS7 5TX8	1			Black High Gloss, SAHARA, Left
	5DS7 5WTD	1			Sand, SAHARA, Left
6					NUT, Plastic
	J400 4868	10			Rear
		14			Front
7	6504 601	6			NUT, Rivet Round, M5x0.80x11.09
8					SCREW AND WASHER, M5X.80X20.00, (NOT SERVICED)
9					SCREW, (.190-16x.750), (NOT SERVICED)
10					SHIELD, Splash
	55155 696AA	1			1 Piece Design, After 1-16-97, Right
	55155 697AA	1			1 Piece Design, After 1-16-97, Left
11					SHIELD, Splash, Liner, Rear Wheelhouse
	55155 632AB	1			Right
	55155 633AB	1			Left
12					RIVET, (.250x.492), (NOT SERVICED)
13	6030 441	10			PIN, Retainer
14					EXTENSION, Fender
	5525 4928	1			Black, Flat, SPORT, Right
	5525 4929	1			Black, Flat, SPORT, Left
	5DV1 2DX9	1			Black, Flat, SAHARA, Right
	5DV1 3DX9	1			Black, Flat, SAHARA, Left
15	6504 397	14			NUT, M8-1.25
16	6501 648	14			SCREW, Hex Flange Head, M8x1.25x25.00, Side Step

JEEP WRANGLER (TJ)

SERIES	LINE	BODY	ENGINE	TRANSMISSION
L=Low Line	J = Wrangler 4WD U = Wrangler 4WD (RHD)	77 = 93.4 WB	EPE, EP0 = 2.5L Power Tech ERH, ER0 = 4.0L Power Tech	DGG, DGD = 32RH 3 Spd. Auto. DDQ = 5 Spd. Manual DG0 = All Auto. Trans. DBB =All Manual Trans.

AR = Use as required - = Non illustrated part # = New this model year

Panels, Body Side Wrangler 1999 TJ
Figure STJ-810



ITEM	PART NUMBER	QTY	LINE	BODY	DESCRIPTION
17					STEP PAD, Side Step
	5517 5158	1			Right
	5517 5159	1			Left
18					RETAINER, Belt Rail
	55175 754AB	1			Right
	55175 755AB	1			Left
19	4520 288	2			STRIKER, Door Latch, Door Latch
20					SPACER, Door Latch Striker
	4520 289	AR			
	5507 5483	AR			2.0/2.5 Thick
21	6503 120	4			SCREW AND WASHER, Button Head Torx, M8x1.25x39.50
22	6504 662	4			RETAINER, Push On
23					FOAM BLOCK, Upper B-Pillar, (NOT REQUIRED)

JEEP WRANGLER (TJ)

SERIES	LINE	BODY	ENGINE	TRANSMISSION
L=Low Line	J = Wrangler 4WD U = Wrangler 4WD (RHD)	77 = 93.4 WB	EPE, EP0 = 2.5L Power Tech ERH, ER0 = 4.0L Power Tech	DGG, DGD = 32RH 3 Spd. Auto. DDQ = 5 Spd. Manual DG0 = All Auto. Trans. DBB =All Manual Trans.

AR = Use as required - = Non illustrated part # = New this model year

June 7, 2002

Soft Top And Windows Wrangler 1997 TJ
Figure STJ-1110

ITEM	PART NUMBER	QTY	LINE	BODY	DESCRIPTION
1					COVER, Soft Top
	5FM9 9TTB	1			Spice
	5FM9 9TW1	1			White
	5FM9 9TX7	1			Black
2					WINDOW, Half Door Soft Top
	5FV2 2TTB	1			Spice, Right
	5FV2 2TW1	1			White, Right
	5FV2 2TX7	1			Black, Right
	5FV2 3TTB	1			Spice, Left
	5FV2 3TW1	1			White, Left
	5FV2 3TX7	1			Black, Left
3					WINDOW, Quarter
	5EZ0 0TTB	1	U	77	Spice
		1	J	77	Spice, Right
	5EZ0 0TW1	1	J	77	White, Right
		1	U	77	White, Right
	5EZ0 0TX7	1	J	77	Black, Right
		1	U	77	Black, Right
	5EZ0 1TTB	1	J	77	Spice, Left
		1	U	77	Spice, Left
	5EZ0 1TW1	1	J	77	White, Left
		1	U	77	White, Left
	5EZ0 1TX7	1	J	77	Black, Left
		1	U	77	Black, Left
4					WINDOW, Tailgate
	5EZ0 3TTB	1			Spice
	5EZ0 3TW1	1			White
	5EZ0 3TX7	1			Black
5					FRAME, Door Glass
	5517 5858	1	J	77	Right
		1	U	77	Right
	5517 5859	1	J	77	Left
		1	U	77	Left
6	5517 6287	2			LATCH AND BASE, Folding Top, Reinforcement to Windshield Frame
7					BOW, Folding Top, Number 3
	5517 6442	1			With Pivot, Up to 12-3-96
	55176 442AB	1			With Pivot, After 12-3-96
-8	4778 470	1			SNAP KIT, Soft Top, Male, Cover Attaching, Bow #3
9	4874 281	1			BOW, Folding Top, Number 1, Soft Top, #1,#2, w/Pivot, Includes Front Header
10	5517 6206	2			BUMPER, Rubber, # 2 Bow Rest
11					BRACKET, Soft Top Bow 1 & 3

JEEP WRANGLER (TJ)

SERIES
L=Low Line

LINE
J = Wrangler 4WD
U = Wrangler 4WD (RHD)

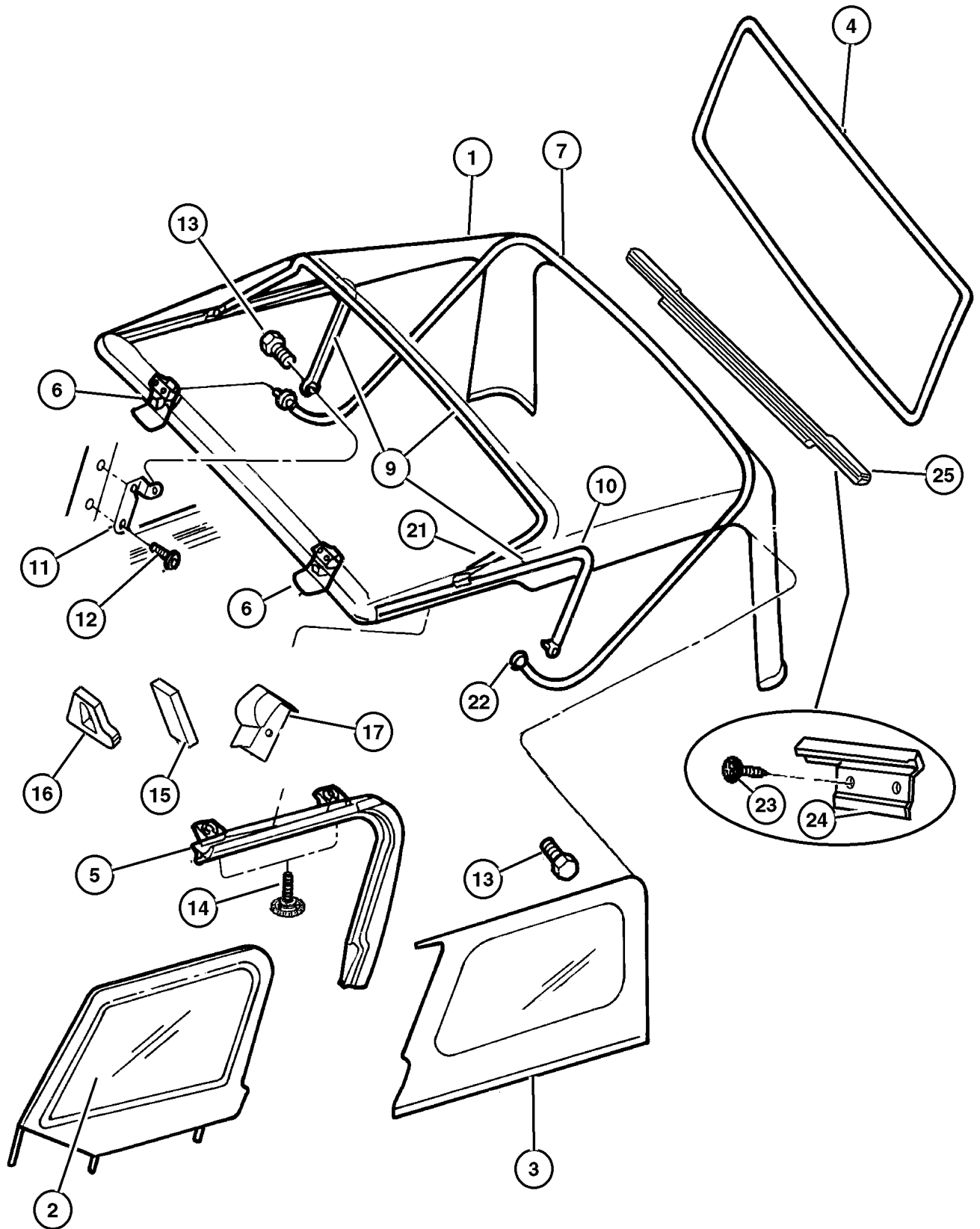
BODY
77 = 93.4 WB

ENGINE
EPE, EP0 = 2.5L Power Tech
ERH, ER0 = 4.0L Power Tech

TRANSMISSION
DGG, DGD = 32RH 3 Spd. Auto.
DDQ = 5 Spd. Manual
DG0 = All Auto. Trans.
DBB =All Manual Trans.

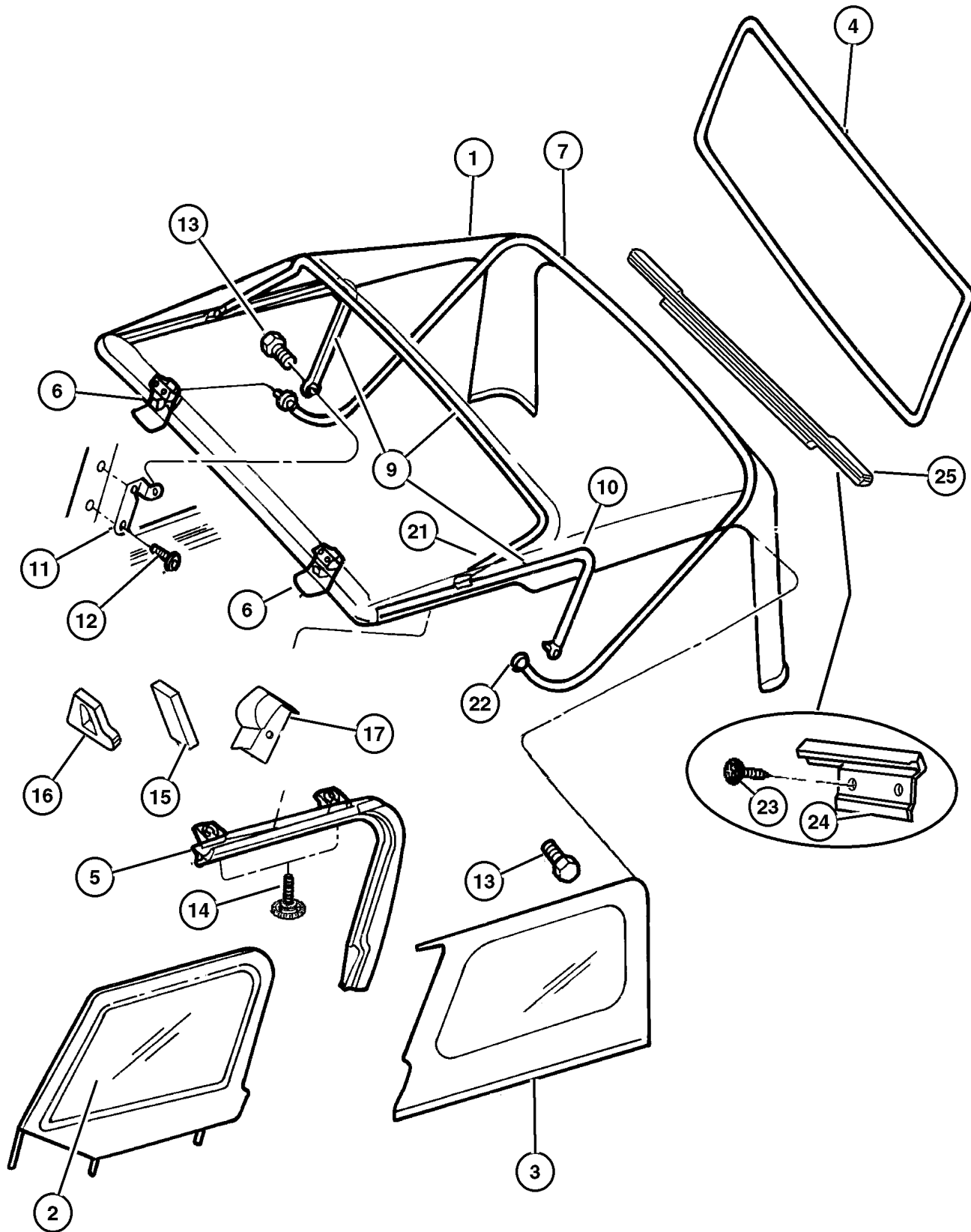
AR = Use as required - = Non illustrated part # = New this model year

June 7, 2002



Soft Top And Windows Wrangler 1997 TJ
Figure STJ-1110

ITEM	PART NUMBER	QTY	LINE	BODY	DESCRIPTION
	5517 5802	1	J	77	Right
		1	U	77	Right
	5517 5803	1	J	77	Left
		1	U	77	Left
12	6503 267	4			SCREW, Round Head, M6x1x25
13	6035 797	4			SCREW, Shoulder, .190-24x.625
14	5517 6198	2			PIN, Release Lever
15					SEAL, Door, Also Serviced in Frame Door Glass
	5517 6304	1	J	77	Right
		1	U	77	Right
	5517 6305	1	J	77	Left
		1	U	77	Left
16					SEAL, A-Pillar Blocker
	55176 714AA	1			Right
	55176 715AA	1			Left
17					SEAL, Header Top And Side Rail
	55176 722AA	1			Right
	55176 723AA	1			Left
-18	5517 6444	2			STRAP, Retaining, 2 Bow to 3 Bow Connect
-19	4897 190AA	1			PULL STRAP KIT, Attaches to zipper pull, contains 5 straps
-20					BOOT, Folding Top
	5FZ85 BX7AA	1			Black
	5FZ85 LTBA	1			Spice
	5FZ85 SW1AA	1			White
21	5517 6064	2		77	KNUCKLE, Rear
22	5517 5813	2			KNUCKLE, Rear
23					SCREW AND WASHER, [.164-18x.625], (NOT SERVICED)
24					CLIP, Tailgate Opening
	5517 6470	1			Up to 1-6-97, Right
	5517 6471	1			Up to 1-6-97, Left
	55176 738AA	1			After 1-6-97, Right
	55176 739AA	1			After 1-6-97, Left
25					RETAINER, Soft Top Rail
	55176 736AA	1			After 1/6/97
	5517 6232	1			Up to 1/6/97
-26					TOOL, Wrench, (NOT SERVICED)



JEEP WRANGLER (TJ)

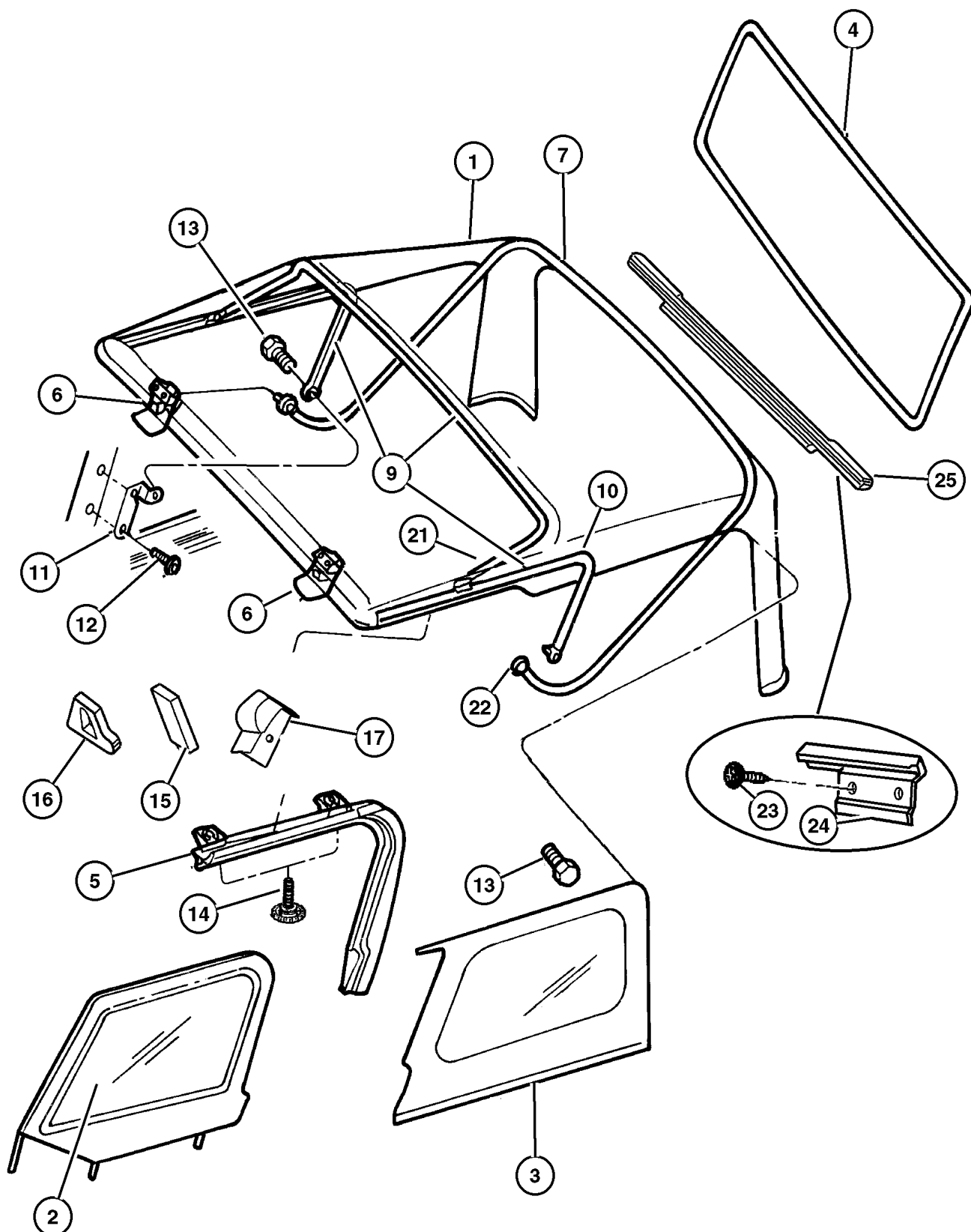
SERIES	LINE	BODY	ENGINE	TRANSMISSION
L=Low Line	J = Wrangler 4WD U = Wrangler 4WD (RHD)	77 = 93.4 WB	EPE, EP0 = 2.5L Power Tech ERH, ER0 = 4.0L Power Tech	DGG, DGD = 32RH 3 Spd. Auto. DDQ = 5 Spd. Manual DG0 = All Auto. Trans. DBB =All Manual Trans.

AR = Use as required - = Non illustrated part # = New this model year

June 7, 2002

Soft Top And Windows Wrangler 1998 TJ 1999 TJ
Figure STJ-1110

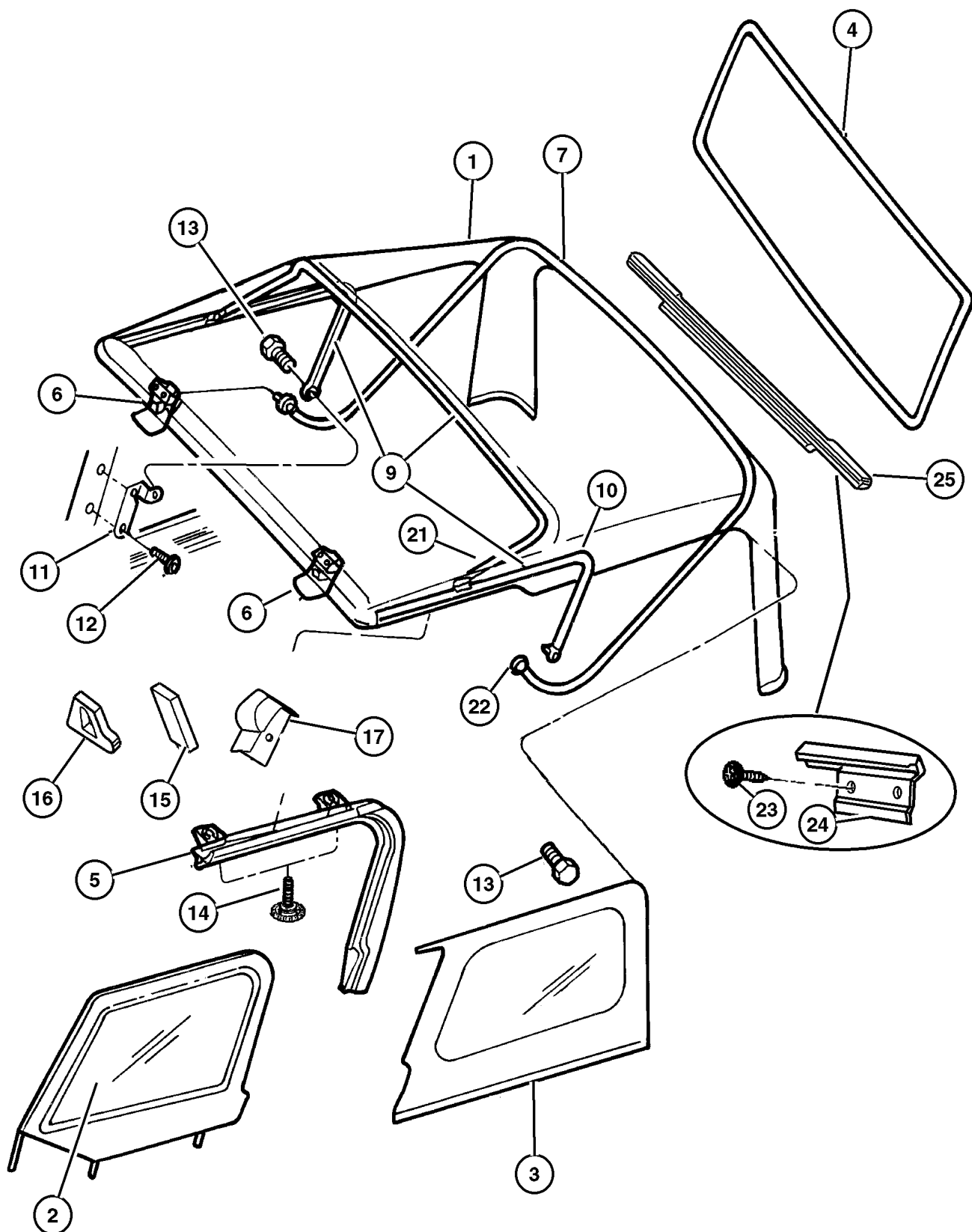
ITEM	PART NUMBER	QTY	LINE	BODY	DESCRIPTION
1					COVER, Soft Top
	5FM99 TTBAB	1			Spice, 1998 TJ
	5FM99 TW1AB	1			White, 1999 TJ
	5FM99 TX7AB	1			Black
	5FM99 VK9AB	1			Tan, 1999 TJ
2					WINDOW, Half Door Soft Top
	5FV22 BX7AE	1			Black, 1999 TJ, Right
	5FV22 SW1AE	1			White, 1999 TJ, Right
	5FV22 TTBAC	1			Spice, 1998 TJ, Right
	5FV22 TW1AC	1			White, 1998 TJ, Right
	5FV22 TX7AC	1			Black, 1998 TJ, Right
	5FV22 VK9AE	1			Tan, 1999 TJ, Right
	5FV23 BX7AE	1			Black, 1999 TJ, Left
	5FV23 SW1AE	1			White, 1999 TJ, Left
	5FV23 TTBAC	1			Spice, 1998 TJ, Left
	5FV23 TW1AC	1			White, 1998 TJ, Left
	5FV23 TX7AC	1			Black, 1998 TJ, Left
	5FV23 VK9AE	1			Tan, 1999 TJ, Left
3					WINDOW, Quarter
	5EZ00 BX7AB	1			Black, Right
	5EZ00 LTBAB	1			Spice, 1998 TJ, Right
	5EZ00 SW1AB	1			White, Right
	5EZ00 VK9AB	1			Tan, 1999 TJ, Right
	5EZ01 BX7AB	1			Black, Left
	5EZ01 LTBAB	1			Spice, 1998 TJ, Left
	5EZ01 SW1AB	1			White, 1999 TJ, Left
	5EZ01 VK9AB	1			Tan, 1999 TJ, Left
4					WINDOW, Tailgate
	5EZ03 BX7AB	1			Black, 1999 TJ
	5EZ03 SW1AB	1			White, 1999 TJ
	5EZ0 3TTB	1			Spice, 1998 TJ
	5EZ0 3TX7	1			Black, 1998 TJ
	5EZ03 VK9AB	1			Tan, 1999 TJ
5					FRAME, Door Glass
	55175 858AC	1			Up to 8-19-97, 1998 TJ, Right
	55175 858AD	1			1999 TJ, Right
	55175 859AC	1			Up to 8-19-97, 1998 TJ
	55175 859AD	1			After 8-19-97, 1998 TJ, Left
		1			1999 TJ, Left
6	5517 6287	2			LATCH AND BASE, Folding Top
7					BOW, Folding Top, Number 3
	55176 442AB	1			With Pivot, After 12-3-96, 1998 TJ
		1			1999 TJ
-8					SNAP KIT, Soft Top



JEEP WRANGLER (TJ)
 SERIES LINE BODY ENGINE TRANSMISSION
 L=Low Line J = Wrangler 4WD 77 = 93.4 WB EPE, EP0 = 2.5L Power Tech DGG, DGD = 32RH 3 Spd. Auto.
 U = Wrangler 4WD (RHD) ERH, ER0 = 4.0L Power Tech DDQ = 5 Spd. Manual
 DG0 = All Auto. Trans.
 DBB =All Manual Trans.

**Soft Top And Windows Wrangler 1998 TJ 1999 TJ
Figure STJ-1110**

ITEM	PART NUMBER	QTY	LINE	BODY	DESCRIPTION
	4778 470	4			1998 TJ
9		1			Male, Soft Top Cover Attaching, Bow #3, 1999 TJ
	4874 281	1			BOW, Folding Top, Number 1
		1			and Number 2, with Pivot, Includes Front Header, 1998 TJ
		1			And Number 2, With Pivot, Includes Front Header, 1999 TJ
10		2			BUMPER, Rubber
	5517 6206	2			1998 TJ
		2			Number 2 Bow Rest, 1999 TJ
11					BRACKET, Soft Top Bow 1 & 3
	5517 5802	1			Right
	5517 5803	1			Left
12	6503 267	4			SCREW, Round Head, M6x1x25
13	6035 797	4			SCREW, Shoulder, .190-24x.625
14	5517 6198	4			PIN, Release Lever
15					SEAL, Door, Also Serviced in Frame Door Glass, (NOT REQUIRED)
16					SEAL, A-Pillar Blocker
	5012 298AA	1			After 8-19-97, 1998 TJ, Right
		1			1999 TJ, Right
	5012 299AA	1			After 8-19-97, 1998 TJ, Left
		1			1999 TJ, Left
	55176 714AA	1			Up to 8-19-97, 1998 TJ, Right
	55176 715AA	1			Up to 8-19-97, 1998 TJ, Left
17					SEAL, Header Top And Side Rail
	5012 300AA	1			After 8-19-97, 1998 TJ, Right
		1			1999 TJ, Right
	5012 301AA	1			After 8-19-97, 1998 TJ, Left
		1			1999 TJ, Left
	55176 722AA	1			Up to 8-19-97, 1998 TJ, Right
	55176 723AA	1			Up to 8-19-97, 1998 TJ, Left
-18					STRAP, Retaining
	5517 6444	2			1998 TJ
		1			2 Bow to 3 Bow Connect, 1999 TJ
-19	4897 190AA	1			PULL STRAP KIT, Attaches to Zipper Pull, Contains 5 Straps
-20					BOOT, Folding Top
	5FZ85 BX7AA	1			Black
	5FZ85 SW1AA	1			White
	5FZ85 VK9AA	1			Tan, 1999 TJ
21	5517 6064	2			KNUCKLE, Rear
22					KNUCKLE, Rear
	5517 5813	2			1998 TJ
		1			1999 TJ
23					SCREW AND WASHER, .164-18x.625, (NOT SERVICED)
24					CLIP, Tailgate Opening



JEEP WRANGLER (TJ)

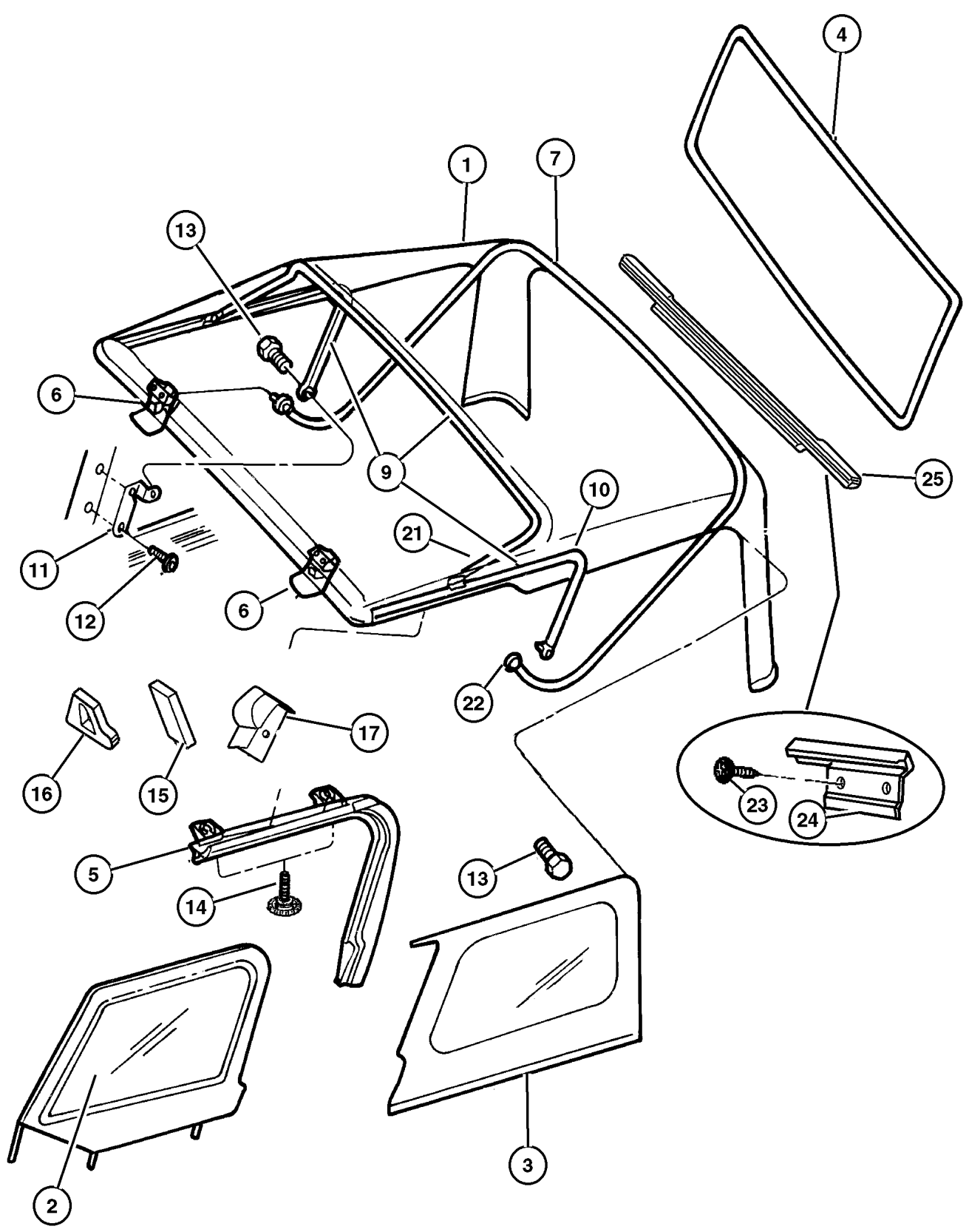
SERIES	LINE	BODY	ENGINE	TRANSMISSION
L=Low Line	J = Wrangler 4WD U = Wrangler 4WD (RHD)	77 = 93.4 WB	EPE, EP0 = 2.5L Power Tech ERH, ER0 = 4.0L Power Tech	DGG, DGD = 32RH 3 Spd. Auto. DDQ = 5 Spd. Manual DG0 = All Auto. Trans. DBB =All Manual Trans.

AR = Use as required - = Non illustrated part # = New this model year

June 7, 2002

Soft Top And Windows Wrangler 1998 TJ 1999 TJ
Figure STJ-1110

ITEM	PART NUMBER	QTY	LINE	BODY	DESCRIPTION
	55176 738AA	1			Right
	55176 739AA	1			Left
25	55176 736AA	1			RETAINER, Soft Top Rail 1998 TJ
	55176 736AB	1			1999 TJ
-26					TOOL, Wrench (NOT SERVICED), 1998 TJ
	#55177 245AA	1			Torx, 1999 TJ



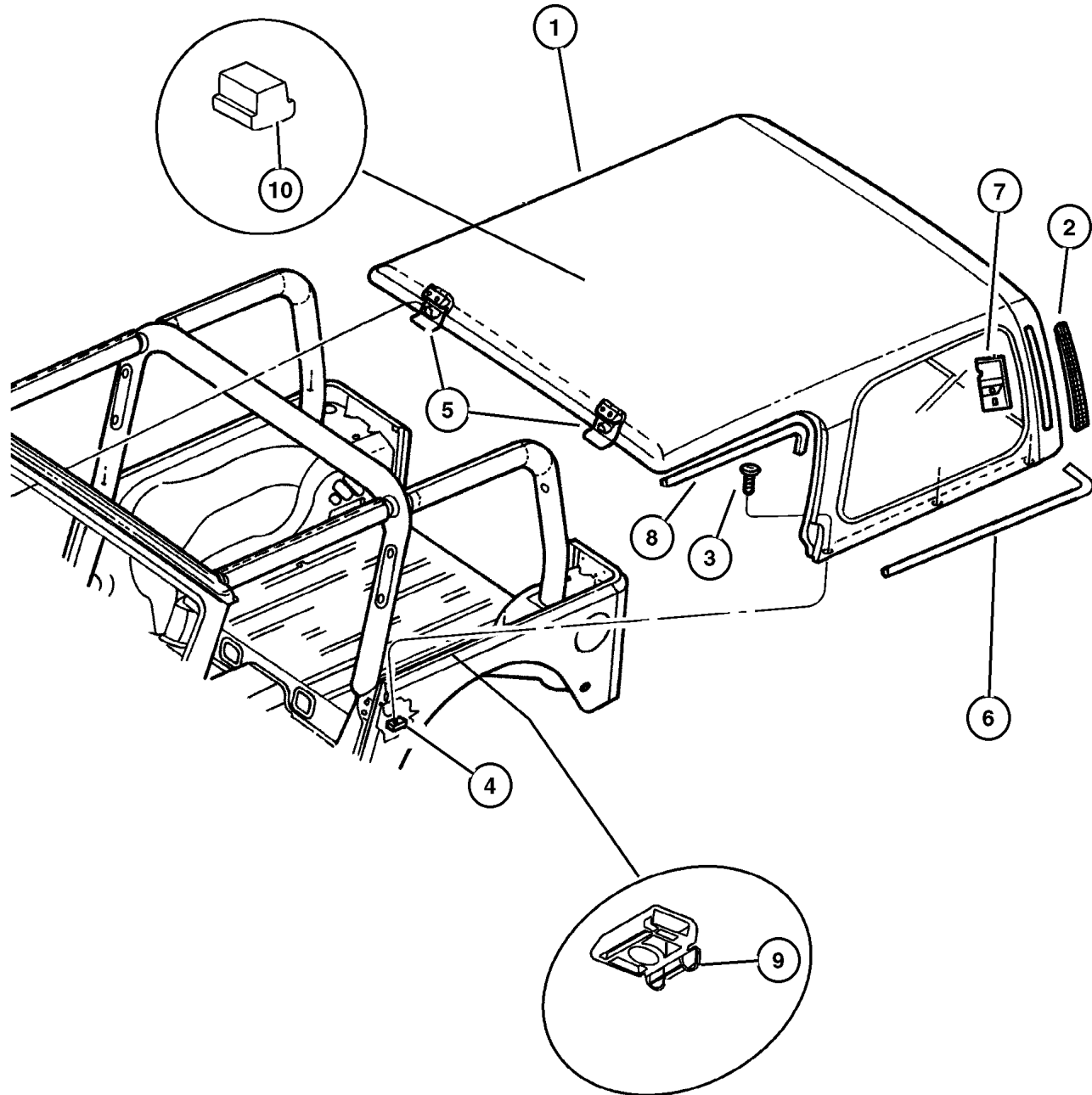
JEEP WRANGLER (TJ)				
SERIES	LINE	BODY	ENGINE	TRANSMISSION
L=Low Line	J = Wrangler 4WD U = Wrangler 4WD (RHD)	77 = 93.4 WB	EPE, EP0 = 2.5L Power Tech ERH, ER0 = 4.0L Power Tech	DGG, DGD = 32RH 3 Spd. Auto. DDQ = 5 Spd. Manual DG0 = All Auto. Trans. DBB =All Manual Trans.

AR = Use as required - = Non illustrated part # = New this model year

June 7, 2002

Top Enclosure, Hard 1997 TJ
Figure STJ-1120

ITEM	PART NUMBER	QTY	LINE	BODY	DESCRIPTION
1					HARDTOP, Shell Only
	5FT4 7TTB	1			Spice
	5FT4 7TW1	1			White
	5FT4 7TX7	1			Black
2					EXHAUSTER, Front Door
	5503 6306	1	J	77	Right
		1	U	77	Right
	5503 6307	1	J	77	Left
		1	U	77	Left
3	6035 627	4			SCREW AND WASHER, Truss Head, .312-18x1.12
4	J096 8155	6			NUT, .312-18, Side Panel Reinforcement
5	5517 5816	2			LATCH AND BASE, Folding Top, Header to Windshield
6					SEAL, Enclosure To Body
	5517 6372	1	J	77	Right
		1	U	77	Right
	5517 6373	1	J	77	Left
		1	U	77	Left
7	5517 6190	1			COVER, Wiring Protector
8	5517 6465	1			MOLDING, Door Window Opening
9	55176 746AA	4			RETAINER, Folding Top Deck Closure, Dual Top Nut Plate
10	5517 6466	2			BUMPER, Upper Slam, Hardtop to Sport Bar
-11					TOOL, Wrench, (NOT SERVICED)



JEEP WRANGLER (TJ)

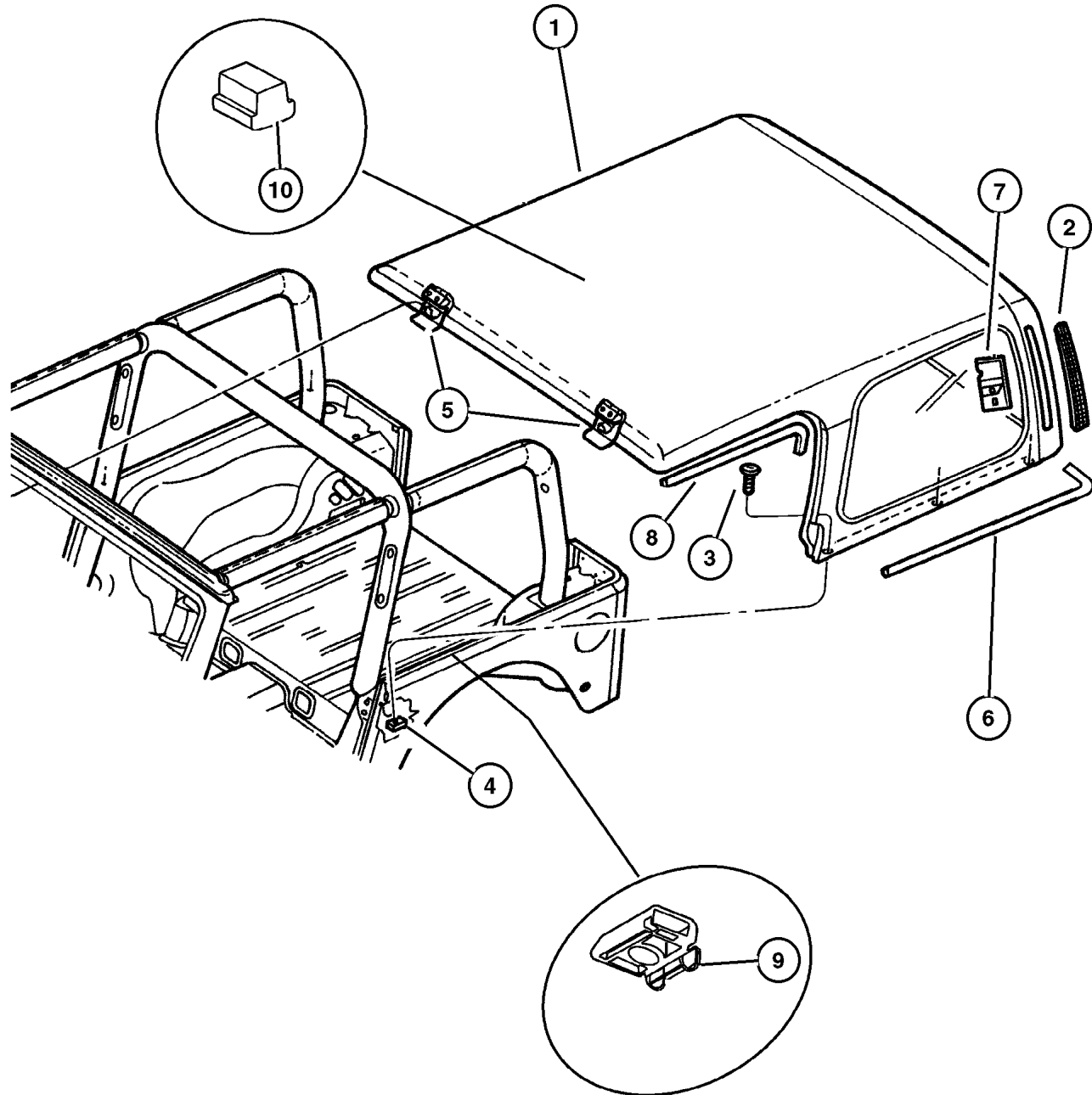
SERIES	LINE	BODY	ENGINE	TRANSMISSION
L=Low Line	J = Wrangler 4WD U = Wrangler 4WD (RHD)	77 = 93.4 WB	EPE, EP0 = 2.5L Power Tech ERH, ER0 = 4.0L Power Tech	DGG, DGD = 32RH 3 Spd. Auto. DDQ = 5 Spd. Manual DG0 = All Auto. Trans. DBB =All Manual Trans.

AR = Use as required - = Non illustrated part # = New this model year

June 7, 2002

Top Enclosure, Hard 1998 TJ
Figure STJ-1120

ITEM	PART NUMBER	QTY	LINE	BODY	DESCRIPTION
1					HARDTOP, Shell Only
	5GN27 BX7AA	1			[VKX], Black
	5GN27 LTBA	1			[VKU], Spice
	5GN27 SW1AA	1			[VKN], White
2					EXHAUSTER, Front Door
	5503 6306	1			Right
	5503 6307	1			Left
3	6035 627	4			SCREW AND WASHER, Truss Head, .312-18x1.12
4	6036 084AA	6			NUT, .312-18
5	5517 5816	2			LATCH AND BASE, Folding Top
6					SEAL, Enclosure To Body
	5517 6372	1			Right
	5517 6373	1			Left
7	5517 6190	1			COVER, Wiring Protector
8					MOLDING, Door Window Opening, (NOT REQUIRED)
9	55176 746AA	4			RETAINER, Folding Top Deck Closure, Dual Top Nut Plate
10	5517 6466	2			BUMPER, Upper Slam
-11					TOOL, Wrench, (NOT SERVICED)



JEEP WRANGLER (TJ)

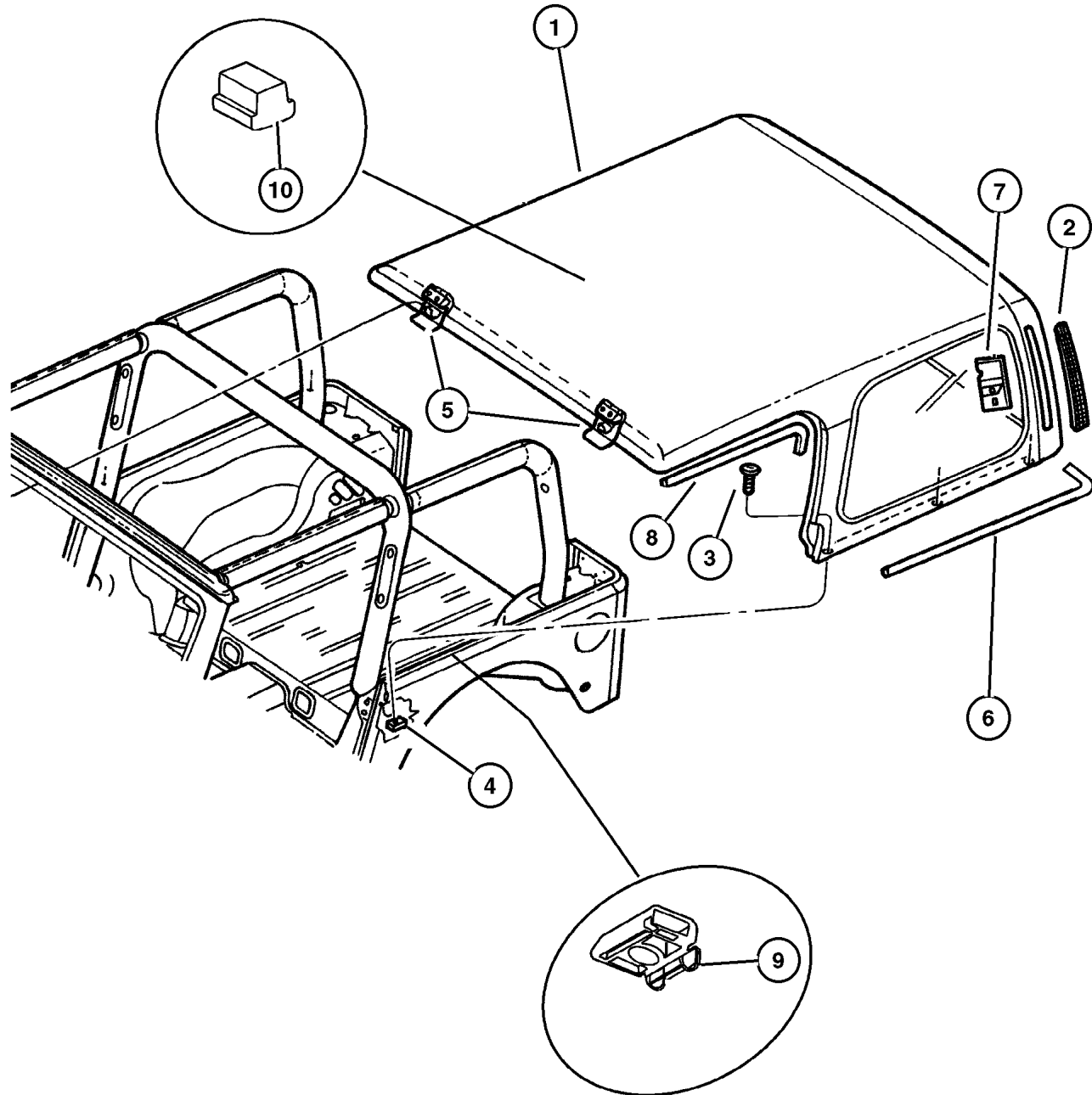
SERIES	LINE	BODY	ENGINE	TRANSMISSION
L=Low Line	J = Wrangler 4WD U = Wrangler 4WD (RHD)	77 = 93.4 WB	EPE, EP0 = 2.5L Power Tech ERH, ER0 = 4.0L Power Tech	DGG, DGD = 32RH 3 Spd. Auto. DDQ = 5 Spd. Manual DG0 = All Auto. Trans. DBB =All Manual Trans.

AR = Use as required - = Non illustrated part # = New this model year

June 7, 2002

Top Enclosure, Hard 1999 TJ
Figure STJ-1120

ITEM	PART NUMBER	QTY	LINE	BODY	DESCRIPTION
1					HARDTOP, Shell Only
	5GN27 BX7AA	1			Black
	5GN27 SW1AA	1			White
	5GN27 VK9AA	1			Tan
2					EXHAUSTER, Front Door
	5503 6306	1			Right
	5503 6307	1			Left
3	6035 627	4			SCREW AND WASHER, Truss Head, .312-18x1.12
4	6036 084AA	6			NUT, .312-18
5	5517 5816	2			LATCH AND BASE, Folding Top
6					SEAL, Enclosure To Body
	55176 372AB	1			Right
	55176 373AB	1			Left
7	5517 6190	1			COVER, Wiring Protector
8					MOLDING, Door Window Opening, (NOT REQUIRED)
9	55176 746AB	4			RETAINER, Folding Top Deck Closure
10	5517 6466	2			BUMPER, Upper Slam
-11	#55177 245AA	1			TOOL, Wrench, Torx



JEEP WRANGLER (TJ)

SERIES	LINE	BODY	ENGINE	TRANSMISSION
L=Low Line	J = Wrangler 4WD U = Wrangler 4WD (RHD)	77 = 93.4 WB	EPE, EP0 = 2.5L Power Tech ERH, ER0 = 4.0L Power Tech	DGG, DGD = 32RH 3 Spd. Auto. DDQ = 5 Spd. Manual DG0 = All Auto. Trans. DBB =All Manual Trans.

AR = Use as required - = Non illustrated part # = New this model year

June 7, 2002

Tailgate Wrangler 1997 TJ
Figure STJ-1310

ITEM	PART NUMBER	QTY	LINE	BODY	DESCRIPTION
1					TAILGATE
	5517 6340	1	J	77	
		1	U	77	
2	5500 8127	1			ROD, Tailgate Handle to Latch
3					SLEEVE, Anti-Rattle, [Handle to Latch Rod], (NOT SERVICED)
4	J400 4532	1			CLIP, Rod End, Attach Lock Cylinder Rod
5	5517 6547	1			HANDLE, Liftgate
6	55176 650AA	1			PIN, Latch Striker
7	5503 3620	AR			WASHER, Flat, .490x1.14x.060
8	5507 4800	AR			WASHER, Striker Latch
9	5517 6450	1			BRACKET, Tailgate Striker
10	J400 6303	2			RIVET, Dome Head Blind, .125x.275
11	6505 046AA	7			SCREW, Pan Head, M6x1x20
12					SCREW, Pan Head, [M8x1.25x18.00], (NOT SERVICED)
13	5517 6533	1			COVER, Tailgate Latch
14	J374 3608	1			SEAL, Handle, Outside Door Handle
15	6034 980	2			SCREW, Pan Head, .19-24x.437
16	5507 6011	1			LINK, Key Cylinder To Latch
17					SCREW, .164-18x.625, (NOT SERVICED)
18	55175 043AB	1			WEATHERSEAL, Tailgate
19					SCREW
	6035 493	8	J	77	
		8	U	77	
20					HINGE, Tailgate
	5507 5567	2	J	77	
		2	U	77	
21					SCREW AND WASHER, [.164-18x.625], (NOT SERVICED)
22					CLIP, Tailgate Opening
	5517 6470	1			Up to 1-6-97, Right
	5517 6471	1			Up to 1-6-97, Left
	55176 738AA	1			After 1-6-97, Right
	55176 739AA	1			After 1-6-97, Left
23	55076 310AB	2			PROP, Liftgate
24	5507 4947	1			LATCH, Tailgate
25					PLATE, Tailgate Latch
	5517 6109	2	J	77	
		2	U	77	
26	5502 5280	1			WATERSHIELD, Tailgate Latch
27					RETAINER, Soft Top Rail
	5517 6232	1			Up to 1-6-97
	55176 736AA	1			After 1-6-97
28					REINFORCEMENT, Tailgate Hinge

JEEP WRANGLER (TJ)

SERIES
L=Low Line

LINE
J = Wrangler 4WD
U = Wrangler 4WD (RHD)

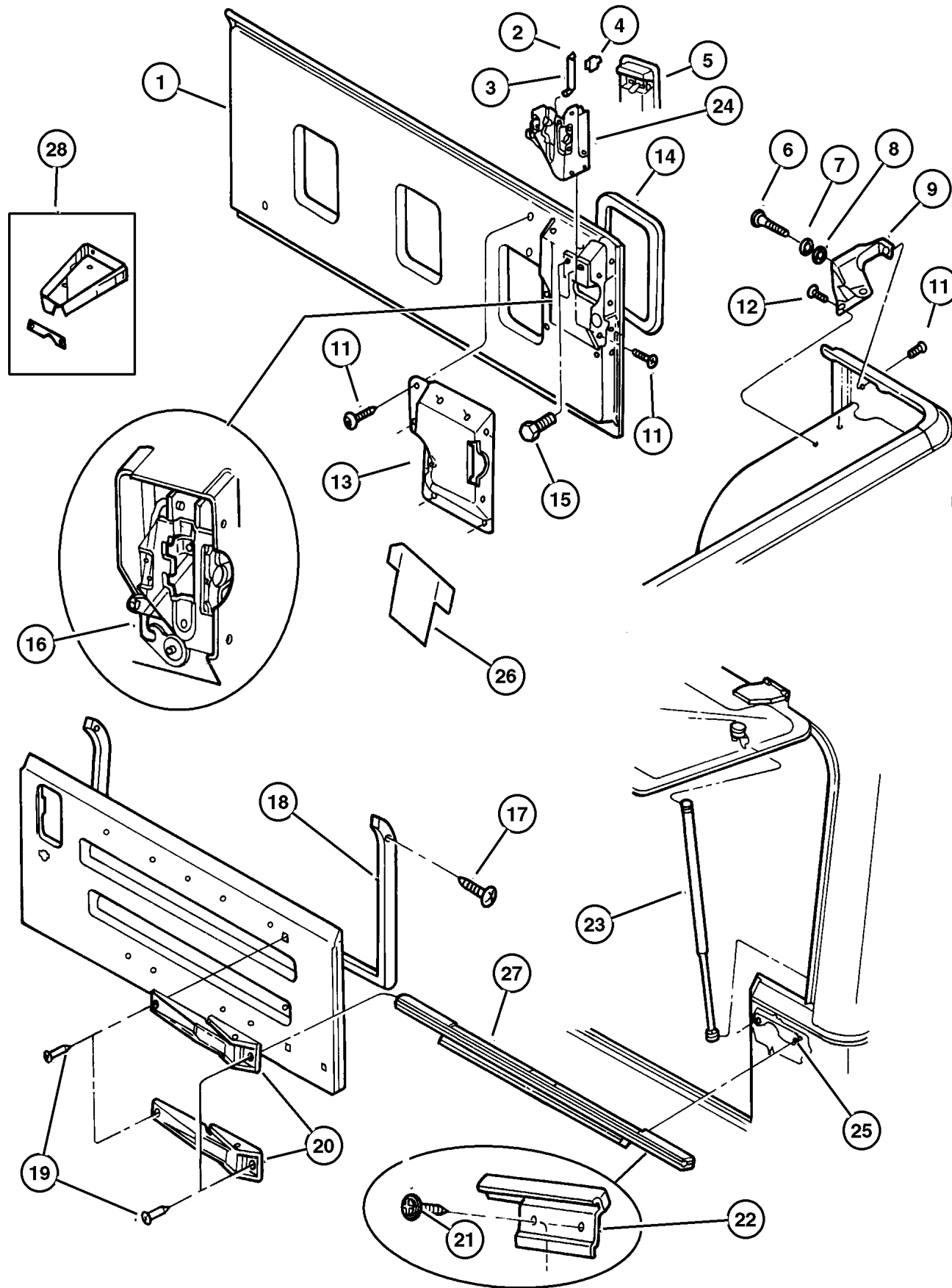
BODY
77 = 93.4 WB

ENGINE
EPE, EP0 = 2.5L Power Tech
ERH, ER0 = 4.0L Power Tech

TRANSMISSION
DGG, DGD = 32RH 3 Spd. Auto.
DDQ = 5 Spd. Manual
DG0 = All Auto. Trans.
DBB =All Manual Trans.

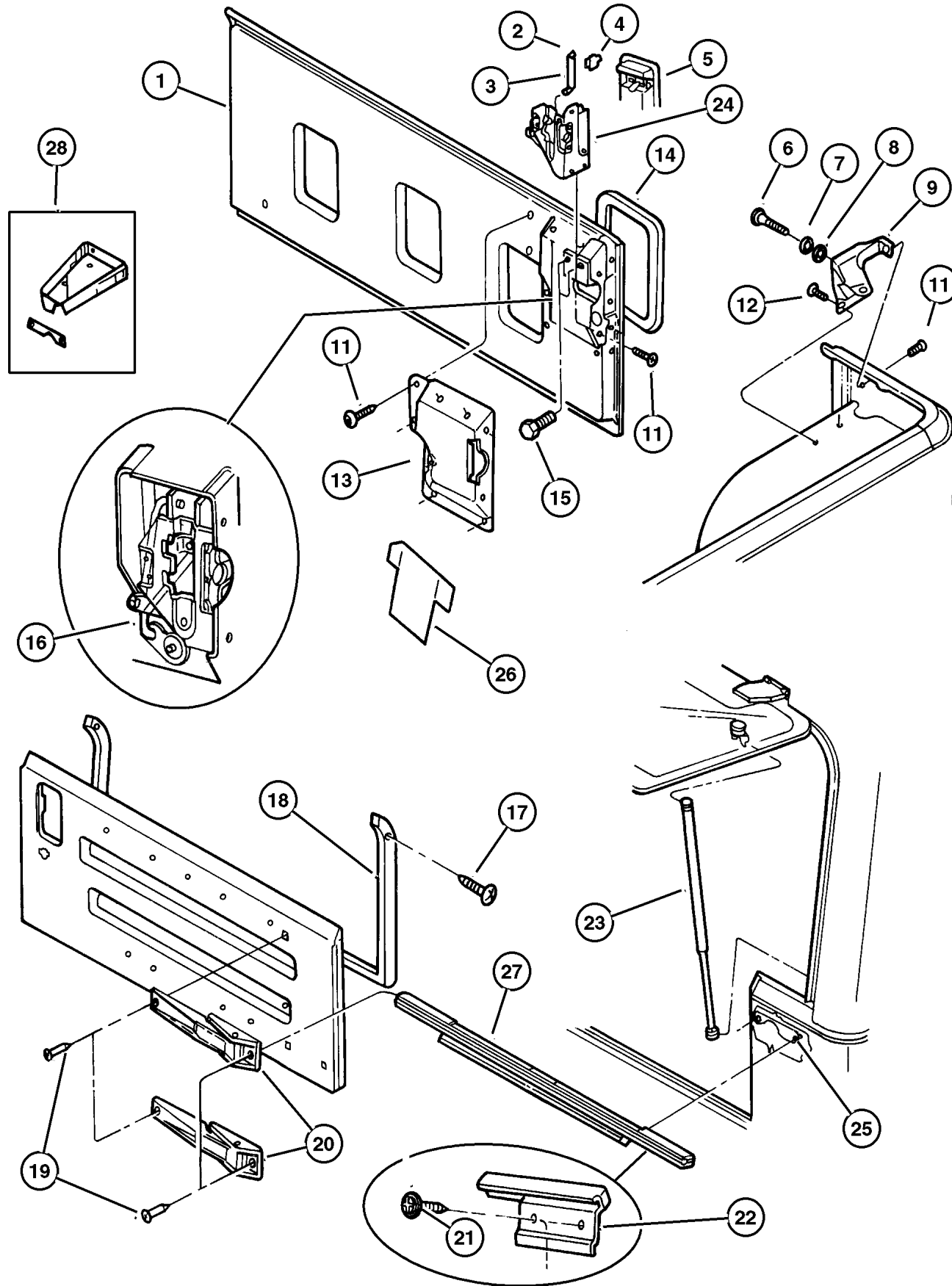
AR = Use as required - = Non illustrated part # = New this model year

June 7, 2002



Tailgate Wrangler 1997 TJ
Figure STJ-1310

ITEM	PART NUMBER	QTY	LINE	BODY	DESCRIPTION
	5517 5668	1	J	77	
		1	U	77	
-29	J400 4455	1	J	77	SCREW AND WASHER, Hex Head, .312-18x1.12
		1	U	77	



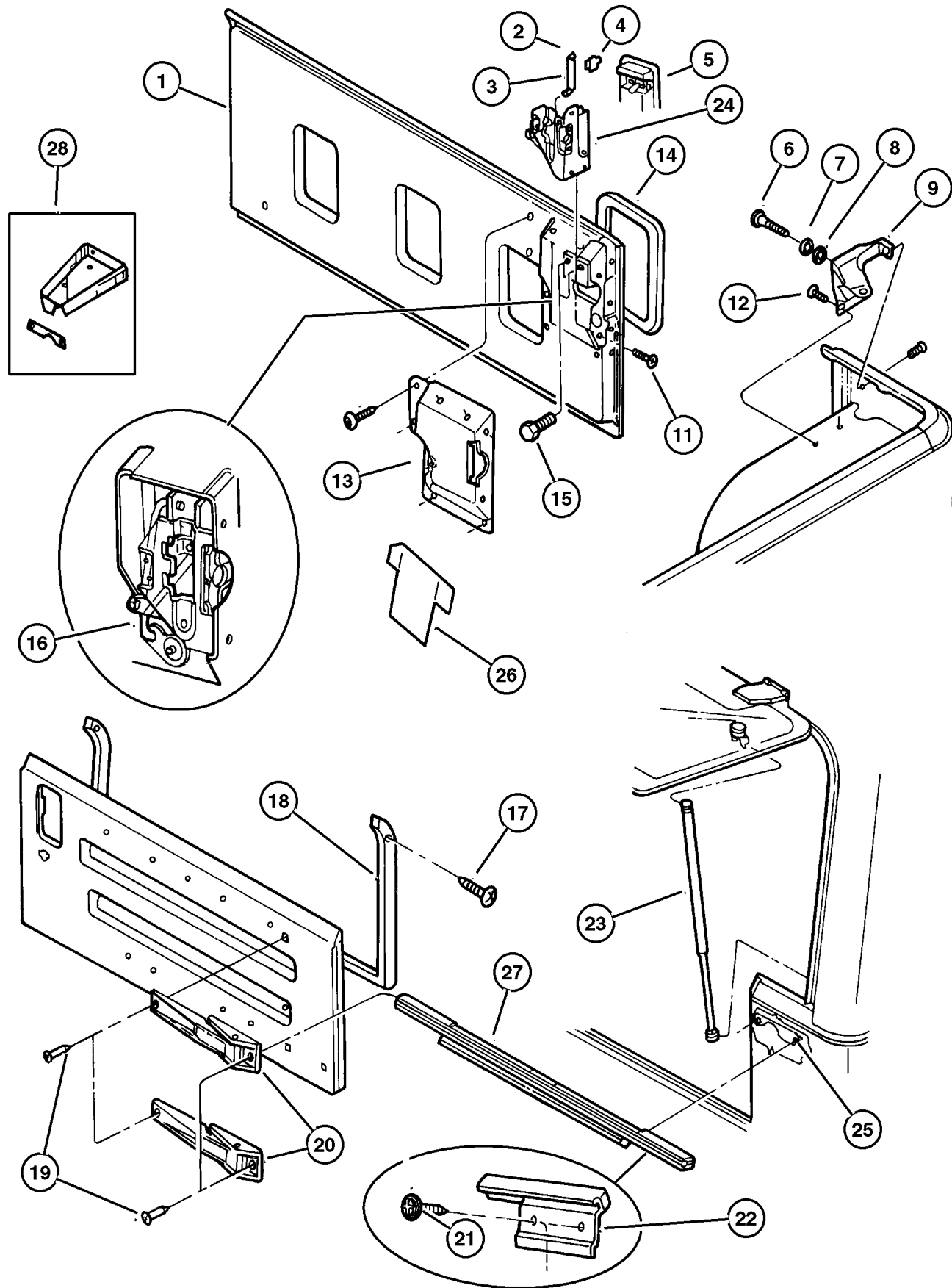
JEEP WRANGLER (TJ)				
SERIES	LINE	BODY	ENGINE	TRANSMISSION
L=Low Line	J = Wrangler 4WD U = Wrangler 4WD (RHD)	77 = 93.4 WB	EPE, EP0 = 2.5L Power Tech ERH, ER0 = 4.0L Power Tech	DGG, DGD = 32RH 3 Spd. Auto. DDQ = 5 Spd. Manual DG0 = All Auto. Trans. DBB =All Manual Trans.

AR = Use as required - = Non illustrated part # = New this model year

June 7, 2002

Tailgate Wrangler 1998 TJ
Figure STJ-1310

ITEM	PART NUMBER	QTY	LINE	BODY	DESCRIPTION
1	55176 340AB	1			TAILGATE
2	5500 8127	1			ROD, Tailgate Handle to Latch
3					SLEEVE, Anti-Rattle, Handle to Latch Rod, (NOT SERVICED)
4	J400 4532	1			CLIP, Rod End, Attach Lock Cylinder Rod
5	5517 6547	1			HANDLE, Liftgate
6	5507 6217	1			PIN, Latch Striker
7	5503 3620	AR			WASHER, Flat, .490x1.14x.060
8	5507 4800	AR			WASHER, Striker Latch
9	55176 450AB	1			BRACKET, Tailgate Striker
-10	J400 6303	2			RIVET, Dome Head Blind, .125x.275
11	J400 7536	3			SCREW AND WASHER, Tapping, .312-18x.120
12	6505 070AA	4			SCREW, Pan Head
13	55176 533AB	1			COVER, Tailgate Latch
14	J374 3608	1			SEAL, Handle, Outside Door Handle
15	6034 980	2			SCREW, Pan Head, .19-24x.437
16	5507 6011	1			LINK, Key Cylinder To Latch
17					SCREW, .164-18x.625, (NOT SERVICED)
18	55175 043AB	1			WEATHERSEAL, Tailgate
19	6035 493	8			SCREW
20	5507 5567	2			HINGE, Tailgate
21					SCREW AND WASHER, .164-18x.625, (NOT SERVICED)
22					CLIP, Tailgate Opening
	55176 738AA	1			Right
	55176 739AA	1			Left
23	55076 310AB	2			PROP, Liftgate
24	55074 947AB	1			LATCH, Tailgate
25	5517 6615	2			PLATE, Tailgate Latch
26	5502 5280	1			WATERSHIELD, Tailgate Latch
27	55176 736AA	1			RETAINER, Soft Top Rail
28	5517 5668	1			REINFORCEMENT, Tailgate Hinge
-29	J400 4455	1			SCREW AND WASHER, Hex Head, .312-18x1.12



JEEP WRANGLER (TJ)

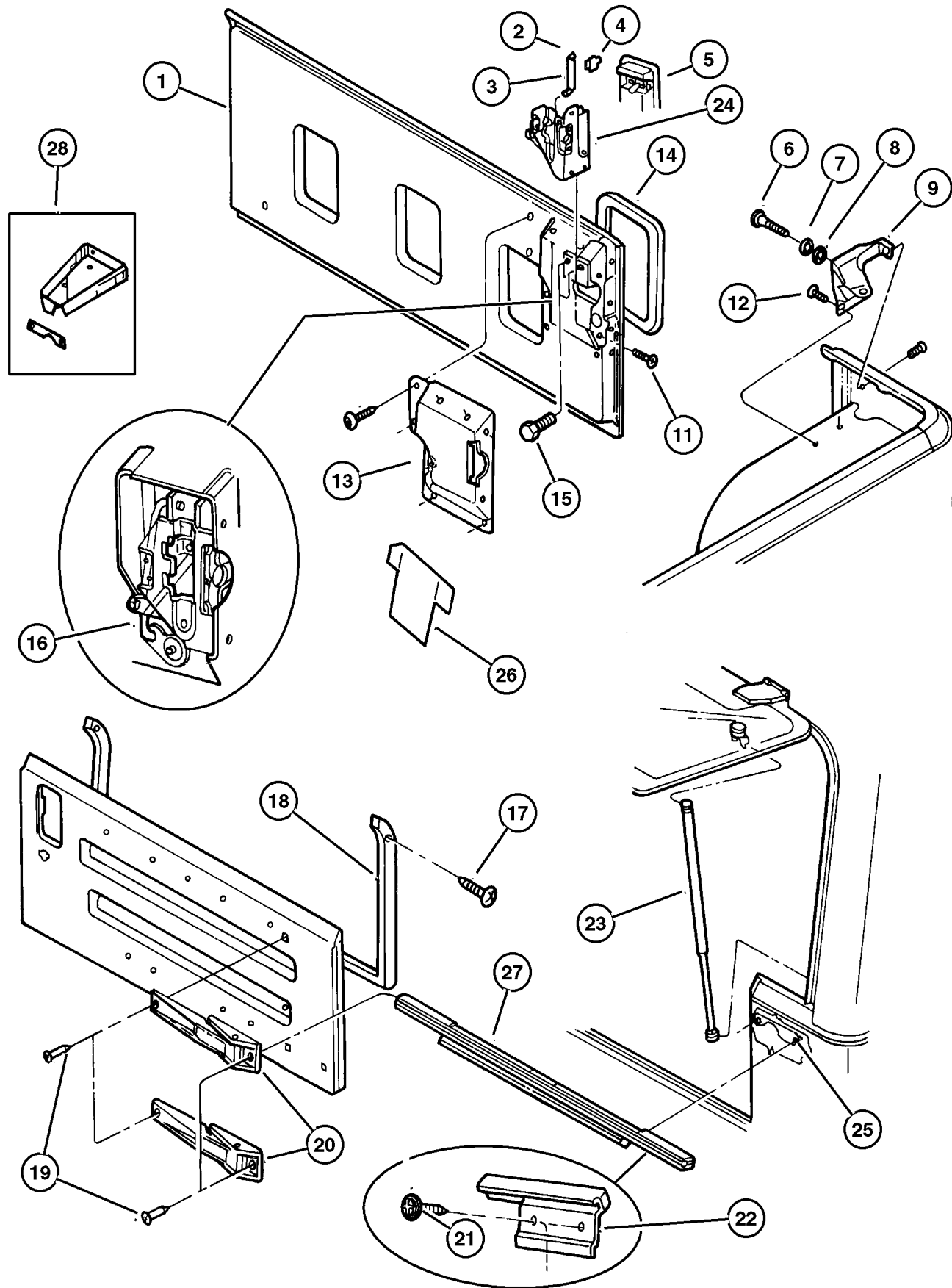
SERIES	LINE	BODY	ENGINE	TRANSMISSION
L=Low Line	J = Wrangler 4WD U = Wrangler 4WD (RHD)	77 = 93.4 WB	EPE, EP0 = 2.5L Power Tech ERH, ER0 = 4.0L Power Tech	DGG, DGD = 32RH 3 Spd. Auto. DDQ = 5 Spd. Manual DG0 = All Auto. Trans. DBB =All Manual Trans.

AR = Use as required - = Non illustrated part # = New this model year

June 7, 2002

Tailgate Wrangler 1999 TJ
Figure STJ-1310

ITEM	PART NUMBER	QTY	LINE	BODY	DESCRIPTION
1	55176 340AC	1			TAILGATE
2	55008 127AB	1			ROD, Tailgate Handle to Latch
3					SLEEVE, Anti-Rattle, Handle to Latch Rod, (NOT SERVICED)
4	J400 4532	1			CLIP, Rod End, Attach Lock Cylinder Rod
5	5517 6547	1			HANDLE, Liftgate
6	5507 6217	1			PIN, Latch Striker
7	5503 3620	AR			WASHER, Flat, .490x1.14x.060
8	5507 4800	AR			WASHER, Striker Latch
9	55176 450AC	1			BRACKET, Tailgate Striker
-10	J400 6303	2			RIVET, Dome Head Blind, .125x.275
11	J400 7536	3			SCREW AND WASHER, Tapping, .312-18x.120
12	6505 070AA	4			SCREW, Pan Head
13	55176 533AB	1			COVER, Tailgate Latch
14	J374 3608	1			SEAL, Handle, Outside Door Handle
15	6034 980	2			SCREW, Pan Head, .19-24x.437
16	5507 6011	1			LINK, Key Cylinder To Latch
17					SCREW, .164-18x.625, (NOT SERVICED)
18	55175 043AC	1			WEATHERSEAL, Tailgate
19	6035 493	8			SCREW
20	5507 5567	2			HINGE, Tailgate
21					SCREW AND WASHER, .164-18x.625, (NOT SERVICED)
22					CLIP, Tailgate Opening
	55176 738AA	1			Right
	55176 739AA	1			Left
23	55076 310AB	2			PROP, Liftgate
24	55074 947AB	1			LATCH, Tailgate
25	5517 6615	2			PLATE, Tailgate Latch
26	5502 5280	1			WATERSHIELD, Tailgate Latch
27	55176 736AB	1			RETAINER, Soft Top Rail
28	5517 5668	1			REINFORCEMENT, Tailgate Hinge
-29	J400 4455	1			SCREW AND WASHER, Hex Head, .312-18x1.12



JEEP WRANGLER (TJ)

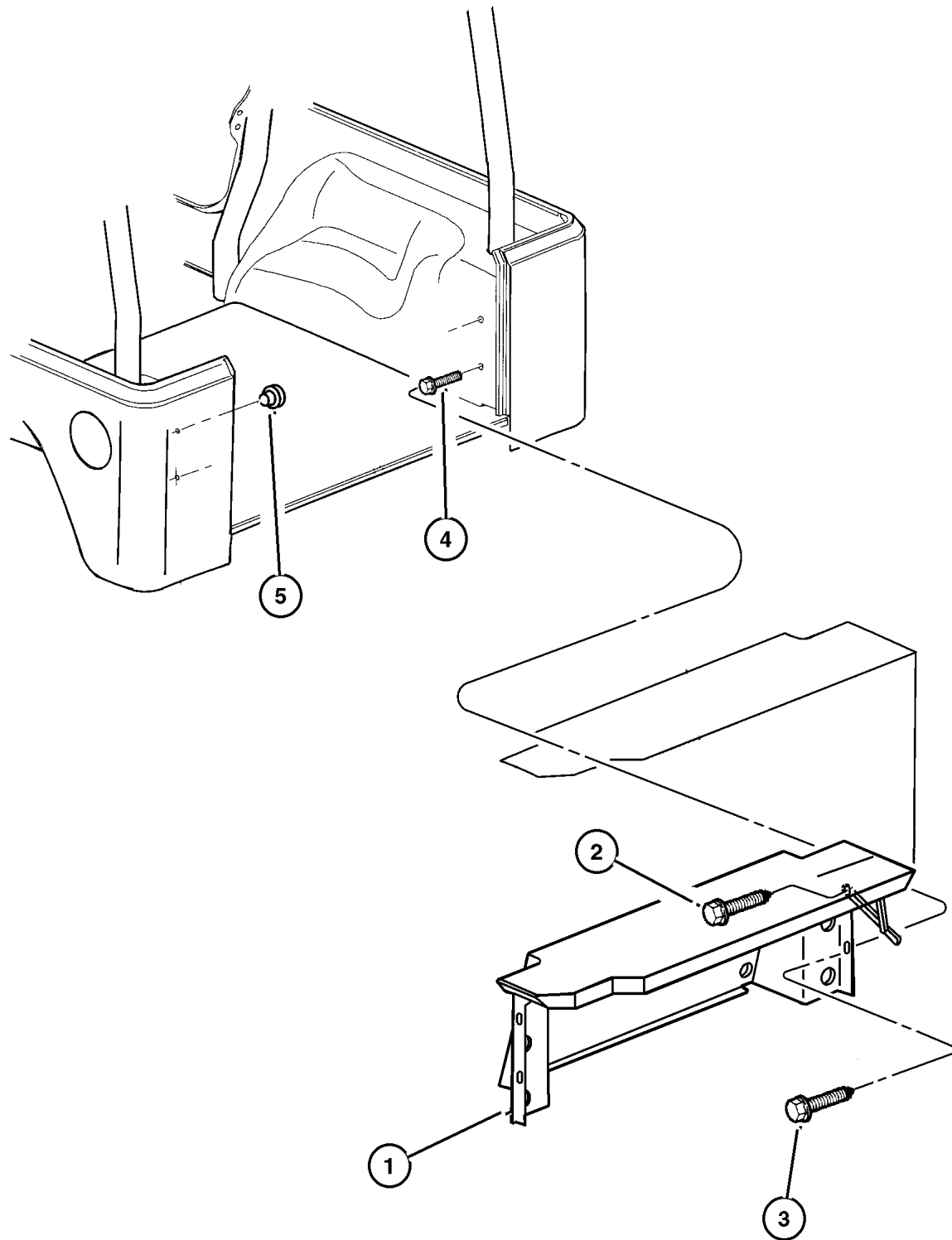
SERIES	LINE	BODY	ENGINE	TRANSMISSION
L=Low Line	J = Wrangler 4WD U = Wrangler 4WD (RHD)	77 = 93.4 WB	EPE, EP0 = 2.5L Power Tech ERH, ER0 = 4.0L Power Tech	DGG, DGD = 32RH 3 Spd. Auto. DDQ = 5 Spd. Manual DGO = All Auto. Trans. DBB =All Manual Trans.

AR = Use as required - = Non illustrated part # = New this model year

June 7, 2002

**Add-a-Trunk
Figure STJ-1320**

ITEM	PART NUMBER	QTY	LINE	BODY	DESCRIPTION
1					PANEL, Add A Trunk
	5521 7141	1			1997 TJ
	5FV2 51AZ	1			Agate, 1999 TJ
	5FV2 51C3	1			Mist Gray, 1998 TJ
	5FV2 51K9	1			Tan, 1999 TJ
	5FV2 51TJ	1			Saddle, 1998 TJ
2	5521 6140	1			THUMBSCREW, M6x1-17
3	6101 719	3			SCREW AND WASHER, Tapping, M6-1.0x20.0
4	6503 245	4			NUT/RIVET, Cooler To Closure Panel, M6x1.00
5					PLUG, (NOT SERVICED)



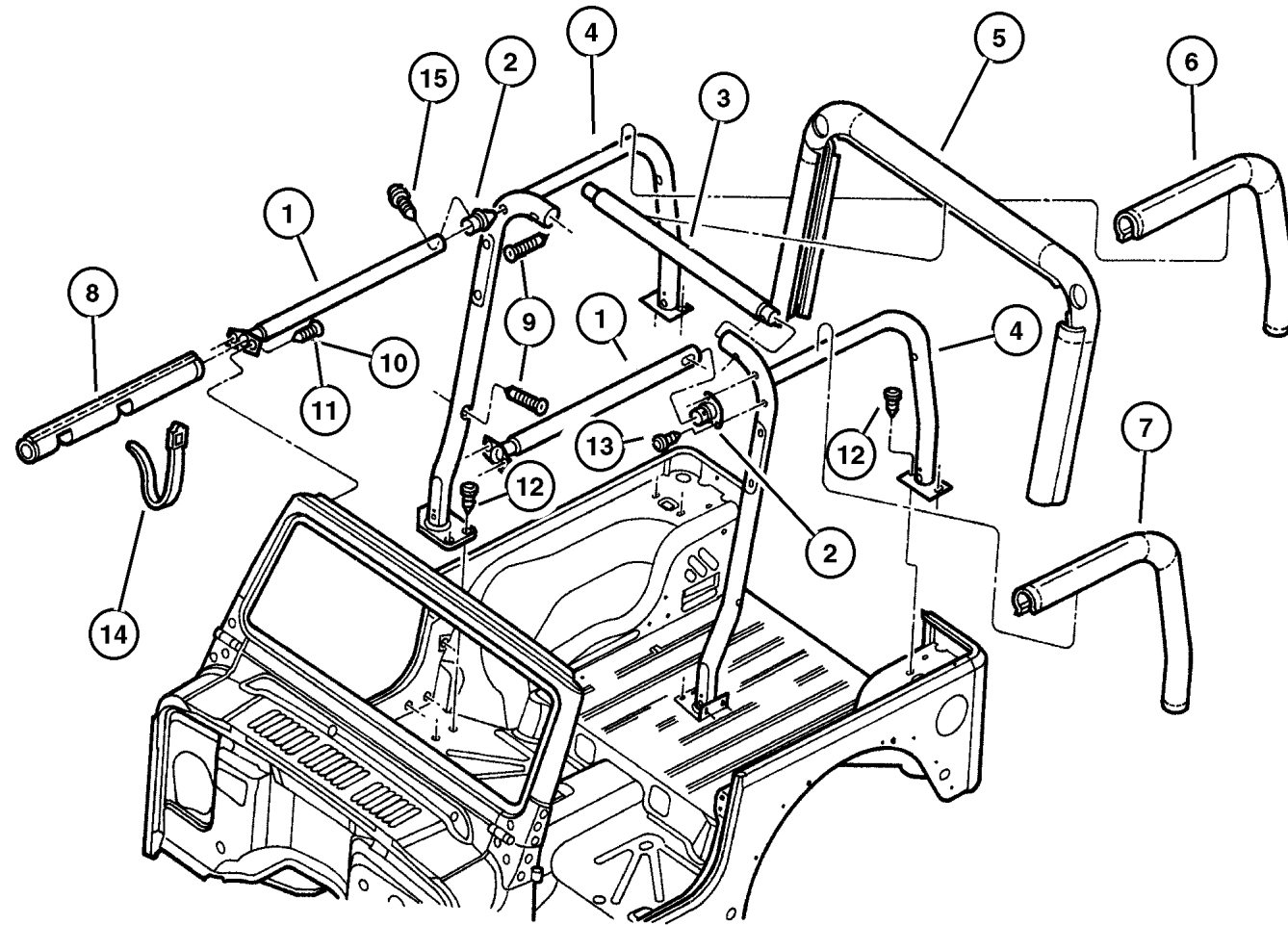
JEEP WRANGLER (TJ)

SERIES	LINE	BODY	ENGINE	TRANSMISSION
L=Low Line	J = Wrangler 4WD U = Wrangler 4WD (RHD)	77 = 93.4 WB	EPE, EP0 = 2.5L Power Tech ERH, ER0 = 4.0L Power Tech	DGG, DGD = 32RH 3 Spd. Auto. DDQ = 5 Spd. Manual DG0 = All Auto. Trans. DBB =All Manual Trans.

AR = Use as required - = Non illustrated part # = New this model year

June 7, 2002

**Sport Bar Wrangler
Figure STJ-1610**



ITEM	PART NUMBER	QTY	LINE	BODY	DESCRIPTION
1					SIDE BAR, Sport Bar
	5517 6504	1			Up to 1-6-97, 1997 TJ, Right
	55176 504AB	1			After 1-6-97, 1997 TJ, 1998 TJ, Right
	5517 6505	1			Up to 1-6-97, 1997 TJ, Left
	55176 505AB	1			After 1-6-97, 1997 TJ, 1998 TJ, Left
	55176 504AC	1			1999 TJ, Right
	55176 505AC	1			1999 TJ, Left
2					BRACKET, Side
	5517 6506	1			Right
	5517 6507	1			Left
3					BAR, Sport, Center
	5517 6022	1	J	77	1997 TJ
		1	U	77	1997 TJ
		1			1998 TJ, 1999 TJ
4					BAR, Sport
	5517 5862	1	J	77	Up to 3-1-96, 1997 TJ, Right
		1	U	77	Up to 3-1-96, 1997 TJ, Right
	5517 5863	1	J	77	Up to 3-1-96, 1997 TJ, Left
		1	U	77	Up to 3-1-96, 1997 TJ, Left
	5517 6488	1			After 3-1-96, 1997 TJ, 1998 TJ, Right
	5517 6489	1			After 3-1-96, 1997 TJ, Left
		1			1998 TJ, 1999 TJ, Left
	5517 6488	1			1999 TJ, Right
5					PAD, Sport Bar, Center
	5FN9 1LAZ	1			Agate, 1997 TJ, Export
	5FN9 1RT6	1			Spice, 1997 TJ, Export
	5FU7 9LAZ	1			Agate, 1997 TJ
	5FU79 LAZAB	1			Agate, 1998 TJ
	5FU7 9RT6	1			Spice, 1997 TJ
	5FU79 RT6AB	1			Spice, 1998 TJ
	5GA16 LAZAA	1			Agate, 1998 TJ, Export
	5FU79 LAZAC	1			Agate, 1999 TJ
	5FU79 RK5AC	1			Camel, 1999 TJ
	5GA16 LAZAB	1			Agate, 1999 TJ, Export
6					PAD, Sport Bar, Right
	5EH5 5TAZ	1			Agate, Without Speakers, 1997 TJ
	5EH5 5TT6	1			Spice, Without Speakers, 1997 TJ
	5FN9 3LAZ	1			Agate, Without Speakers, 1997 TJ, Export
	5FN9 3RT6	1			Spice, Without Speakers, 1997 TJ, Export
	5FU8 1LAZ	1			Agate, Without Speakers, 1998 TJ, 1999 TJ
	5FU8 1RT6	1			Spice, Without Speakers, 1998 TJ
	5FV0 8LAZ	1			Agate, With Speakers
	5FV0 8RT6	1			Spice, With Speakers, 1997 TJ, 1998 TJ
	5GA17 LAZAA	1			Agate, Without Speakers, 1998 TJ, 1999 TJ, Export

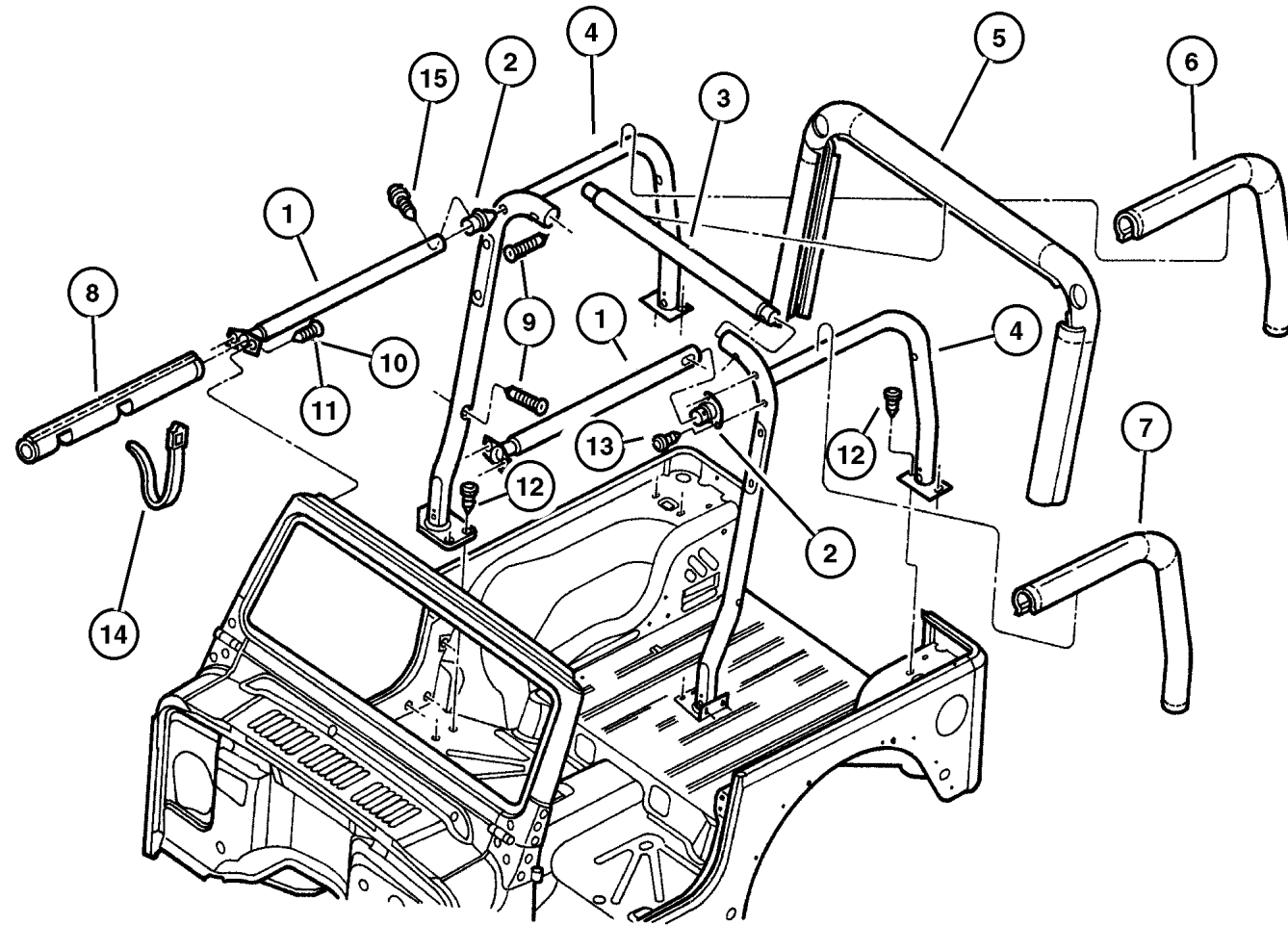
JEEP WRANGLER (TJ)

SERIES	LINE	BODY	ENGINE	TRANSMISSION
L=Low Line	J = Wrangler 4WD U = Wrangler 4WD (RHD)	77 = 93.4 WB	EPE, EP0 = 2.5L Power Tech ERH, ER0 = 4.0L Power Tech	DGG, DGD = 32RH 3 Spd. Auto. DDQ = 5 Spd. Manual DGO = All Auto. Trans. DBB =All Manual Trans.

AR = Use as required - = Non illustrated part # = New this model year

June 7, 2002

Sport Bar Wrangler Figure STJ-1610



ITEM	PART NUMBER	QTY	LINE	BODY	DESCRIPTION
	5FU8 1RK5	1			Camel, Without Speakers, 1999 TJ
	5FV0 8RK5	1			Camel, With Speakers, 1999 TJ
7					PAD, Sport Bar, Left
	5FN9 5LAZ	1			Agate, Without Speakers, 1997 TJ, Export
	5FN9 5RT6	1			Saddle, Without Speakers, 1997 TJ, Export
	5FU8 3LAZ	1			Agate, Without Speakers
	5FU8 3RT6	1			Saddle, Without Speakers, 1997 TJ
		1			Spice, Without Speakers, 1998 TJ
	5FV0 9LAZ	1			Agate, With Speakers
	5FV0 9RT6	1			Saddle, With Speakers, 1997 TJ
		1			Spice, With Speakers, 1998 TJ
	5GA18 LAZAA	1			1997 TJ
		1			Agate, Without Speakers, 1998 TJ, 1999 TJ, Export
	5FU8 3RK5	1			Camel, Without Speakers, 1999 TJ
	5FV0 9RK5	1			Camel, With Speakers, 1999 TJ
8					COVER, Side Bar
	5EH5 9TAZ	2			Agate
	5EH5 9TT6	2			Saddle, 1997 TJ
		2			Spice, 1998 TJ
	5EH5 9RK5	2			Camel, 1999 TJ
9	6035 969AA	2			SCREW, Pan Head, .437-20x1.150
10					SCREW
					(NOT REQUIRED), 1998 TJ, 1999 TJ
	6035 782	4			Up to 4-1-96, 1997 TJ
11					SCREW, M8x1.25x25
	6504 050	4			After 4-1-96, 1997 TJ
		4			1998 TJ, 1999 TJ
12	6035 935AA	12			SCREW AND WASHER
13					SCREW, M8x1.25x30, (NOT SERVICED)
14	5501 5916	5			STRAP, Side Bar Hold Down
15	6035 970AA	2			SCREW, Pan Head, .437-20x1.150
-16					SHIELD, Sport Bar
	5FC9 8LAZ	1			Agate, Export
	5FC9 8RT6	1			Spice, 1997 TJ, Export
		1			Saddle, 1998 TJ, Export
	5FC9 8RK5	1			Camel, 1999 TJ, Export
-17					NUT, Snap In, .164-18
	6035 912	4			Shield to Sport Bar, 1997 TJ
		4			1998 TJ, 1999 TJ
-18	6504 665	4			

JEEP WRANGLER (TJ)

SERIES	LINE	BODY	ENGINE	TRANSMISSION
L=Low Line	J = Wrangler 4WD U = Wrangler 4WD (RHD)	77 = 93.4 WB	EPE, EP0 = 2.5L Power Tech ERH, ER0 = 4.0L Power Tech	DGG, DGD = 32RH 3 Spd. Auto. DDQ = 5 Spd. Manual DG0 = All Auto. Trans. DBB =All Manual Trans.

AR = Use as required - = Non illustrated part # = New this model year

June 7, 2002